



HONDA

CB350F



Courtesy of  Honda4Fun
www.hondadealer.com www.honda4fun.com

PARTS LIST

HONDA GENUINE PARTS

PARTS LIST

FOR

HONDA

CB350F

FOREWORD

This Parts List contains all the spare parts for the CB350F model and is to be used when ordering spare parts.

The Parts List is bound to permit replacement of sheets. When there are any changes or additions to the Parts List, REVISION SHEETS containing these changes and additions, and SUPPLEMENT SHEET will subsequently be issued. These replacement sheets should be filed into the Parts List so that the Parts List will always be maintained current. If you are in need of any replacement sheets, please get in contact with your nearest distributor.

Refer to the "Replacement Sheet Control Procedure" on the following page for instruction to the ordering and filing of the replacement sheets.

On placing your spare parts order, please inform us the frame number for frame component parts and the engine number for engine component parts together with your order.

The reason for this is that it is necessary to verify that the part being ordered are applicable to the model series intended.

This book is a courtesy of Honda4Fun
(www.honda4fun.com - www.honda4four.com)

December 28, 1972

HONDA MOTOR CO., LTD.

GROUP INDEX

INSTRUCTION
FOR
USE OF PARTS LIST

II ~ IV

ENGINE GROUP

2 ~ 47

FRAME GROUP

48 ~ 125

PART NO. INDEX

(1) ~ (6)

Revision Sheet Control Procedure

- Enter the revision sheet received and note any shortages or missing sheets.
- Contact the distributor under which you are to find out the latest revision sheet issued.
- Order the revision sheet by the code No.
The code No. contains the alphabet in sequence at the end of the code No.
- When all of the sheets are changed, a new revised edition will be issued which will contain a different edition No. In this case, the sale of revision sheets for the earlier edition will be discontinued.

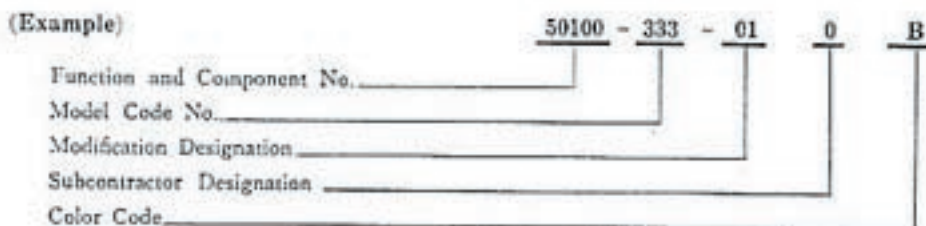
Revision sheet code No.	Date issued	Subject

INSTRUCTION FOR USE OF PARTS LIST

DESCRIPTION OF PARTS LIST

1. Make-up of the Part Number

The following example is the definition of part number.



2. Abbreviations

The abbreviations used in this parts list are as follows.

ASSY. Assembly
 COMP. Complete
 hex. hexagonal
 22T 22 teeth

3. Dimensions

All dimensions are in millimeters except for the steel balls and wheels.

Parts	Example	Interpretation
Bolt (Screw)	6×12	6 mm diameter, 12 mm length
Pin	8×14	8 mm diameter, 14 mm length
O-Ring	9.5×1.6	9.5 mm diameter, 1.6 mm thickness
Oil seal	14×24×5	14 mm inside diameter, 24 mm outside diameter, 5 mm thickness
Tube	5×130	5 mm inside diameter, 130 mm length

4. Quantity used

In the column "Reqd. No." is shown the quantity of parts used in the respective group.

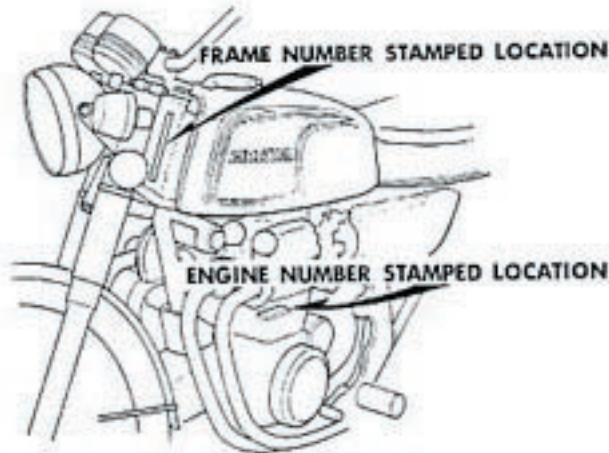
5. Applicable Serial Number

If there is a production change to a part, the frame or the engine serial number to which this part become effective will be indicated in the "Remarks" column. However, in case the part is used from the initial serial number, its applicable serial number is not shown. The initial serial numbers for models are as follows.

	Engine No.	Frame No.
CB350F (A)	CB350FE-1000001~	CB350F-1000001~
CB350F (G)	CB350FE-1034587~	CB350F-1034632~
CB350F (F)	CB350FE-1034588~	CB350F-1034633~
CB350F (ED) ...	CB350FE-1036509~	CB350F-1036555~
CB350F (D)	CB350FE-1027187~	CB350F-1027139~

The serial number is stamped in the following location.

↑ 1053206 !?



7. This Parts List contains the changes announced by the Parts News up to No. 2012.

8. Colored parts should be determined by referring to the following table.

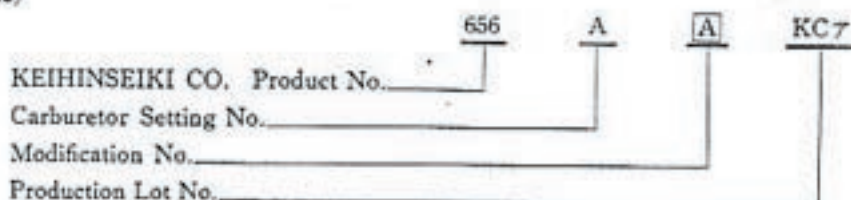
Cord	Type	APPLICABLE MODEL/COLOR		
		CB350F		
		LY	NQ	PJ
A	U.S.A.	○		○
G	German	○	○	
F	France	○	○	
ED	European Direc	○	○	
D (Km) (Mile)	General export	○	○	○

9. Applicable carburetor identification number

The changes to the carburetor assembly and its component parts are indicated by the carburetor identification number.

The identification number is stamped as shown below.

(Example)



The modification No. indicates changes to the carburetor assembly and/or its component parts. The alphabetical letterings framed in a square and when there are any changes to the carburetor, it is advanced in sequence.

When any part of the carburetor assembly needs replacement, please check only the product No. and the modification No.

Parts numbers for the parts to be ordered are determined by the carburetor identification number which is listed in the "Remarks" column.

The number listed in the Remarks column is a shortened form of the identification No. stamped on the carburetor. The shortened form, such as "656 [A]", consists of the product No. and the modification No.

All other numbers and letters are unnecessary, since they do not concern the changes made to the carburetor assembly.

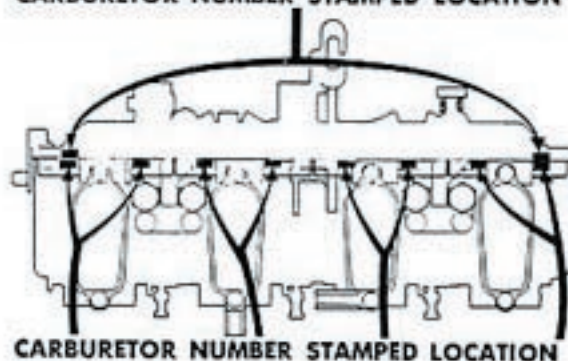
Refer to the following examples.

(Example)

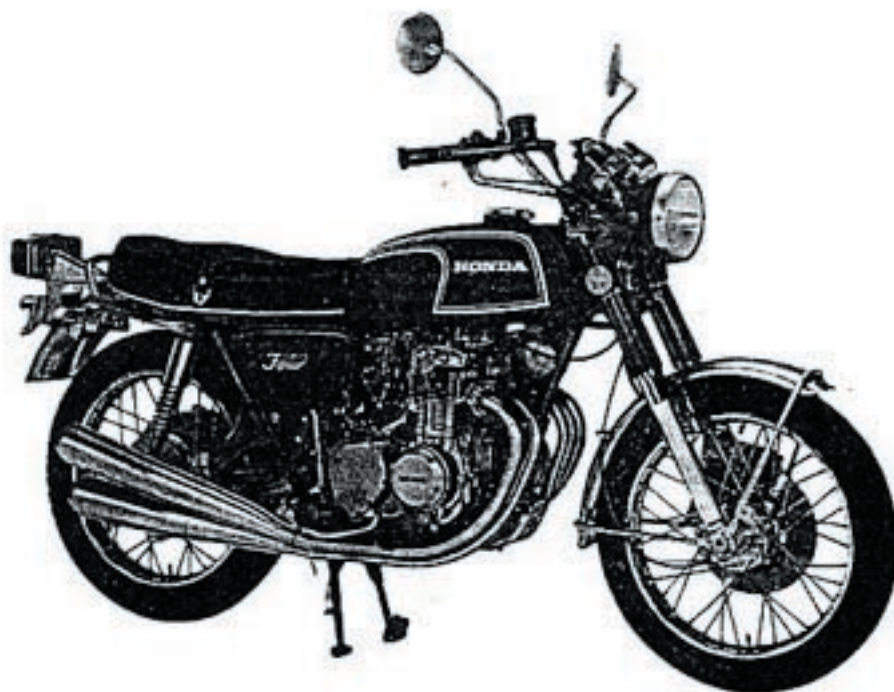
No information	Applicable for use on all carburetors.
656 [A]	Applicable only for use on 656 carburetors designated as [A].
656 [A] ~	Applicable for use on 656 carburetors designated as [A] or subsequent letters.
656 [A] ~ 656 [G]	Applicable for use on 656 carburetors designated from letters [A] through [G].

The number is stamped on the carburetor at the following location.

CARBURETOR NUMBER STAMPED LOCATION



CARBURETOR NUMBER STAMPED LOCATION



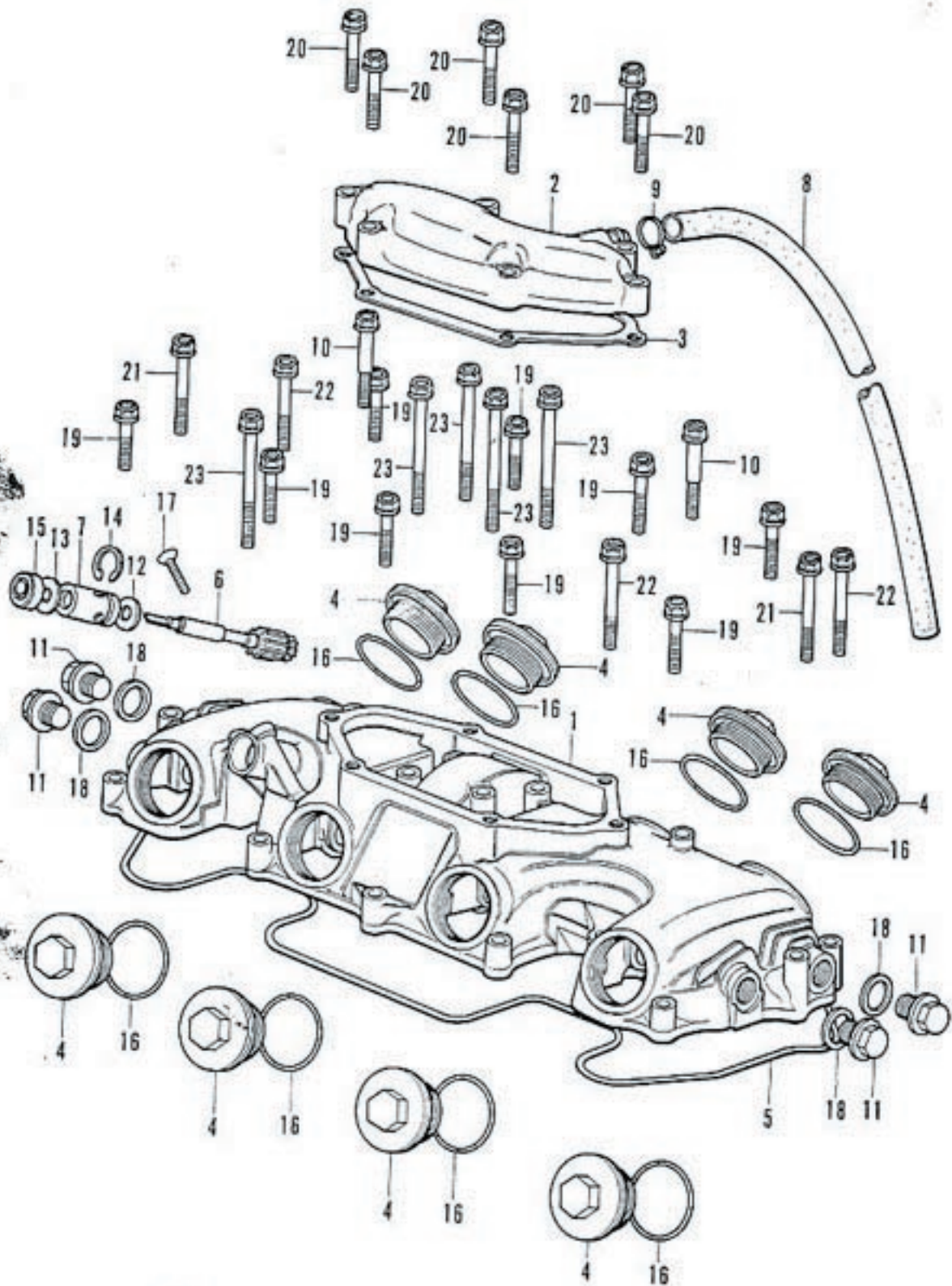
CB 350F

CONTENTS

Block No.	Nomenclature	Page
ENGINE GROUP		
E- 1	Cylinder Head Cover	2
E- 2	Cylinder Head	4
E- 3	Cam shaft • Valve	8
E- 4	Cylinder • Piston	10
E- 5	Cam Chain • Tensioner	12
E- 6	Oil Filter • Oil Pan	14
E- 7	Contact Breaker • Advancer	16
E- 8	Right Crank case Cover • Clutch Lever	18
E- 9	Clutch	20
E-10	Kick Starter	22
E-11	A.C. Generator	24
E-12	Left Crankcase Cover • Oil pump.....	26
E-13	Starting Motor	28
E-14	Crankshaft	30
E-15	Primary Shaft • Chain	34
E-16	Transmission	36
E-17	Gear Shift Drum	38
E-18	Crankcase	42
E-19	Carburetor (KEIHIN).....	44
FRAME GROUP		
F- 1	R/H Handle Switch • Cable	48
F- 2	L/H Handle Switch • Cable	50
F- 3	Handle • Top Bridge.....	52
F- 4	Brake Master Cylinder	54
F- 5	Front Brake Hose	56
F- 6	Front Brake Caliper • Disk	58
F- 7	Front Wheel	60
F- 8	Front Cushion	62
F- 9	Front Fender.....	66
F-10	Steering Stem	68

Block No.	Nomenclature	Page
F-11	Fuel Tank • Cock	70
F-12	Double Seat	74
F-13	Side Cover • Tool Tray	76
F-14	Air Cleaner	78
F-15	Exhaust Muffler	80
F-16	Rear Brake Pedal • Panel.....	82
F-17	Rear Wheel	84
F-18	Rear Cushion	86
F-19	Chain Case • Rear Fork	88
F-20	Rear Fender	90
F-21	Speedometer • Tachometer	92
F-22	Head Light • Case (Used in A & D)	94
F-22	Head Light • Case (Used in G & ED)	96
F-22	Head Light • Case (Used in F)	98
F-23	Winker (Used in A, F, ED & D)	100
F-23	Winker (Used in G)	104
F-24	Tail Light (Used in A & D)	106
F-24	Tail Light (Used in F & ED).....	108
F-24	Tail Light (Used in G)	110
F-25	Battery • Electric.....	112
F-26	Wire Harness	114
F-27	Main Stand • Step	116
F-28	Frame Body	120
F-29	Kick Arm • Change Pedal	122
F-30	Tool.....	124
	Parts No. Index	(1)

E-1 Cylinder Head Cover

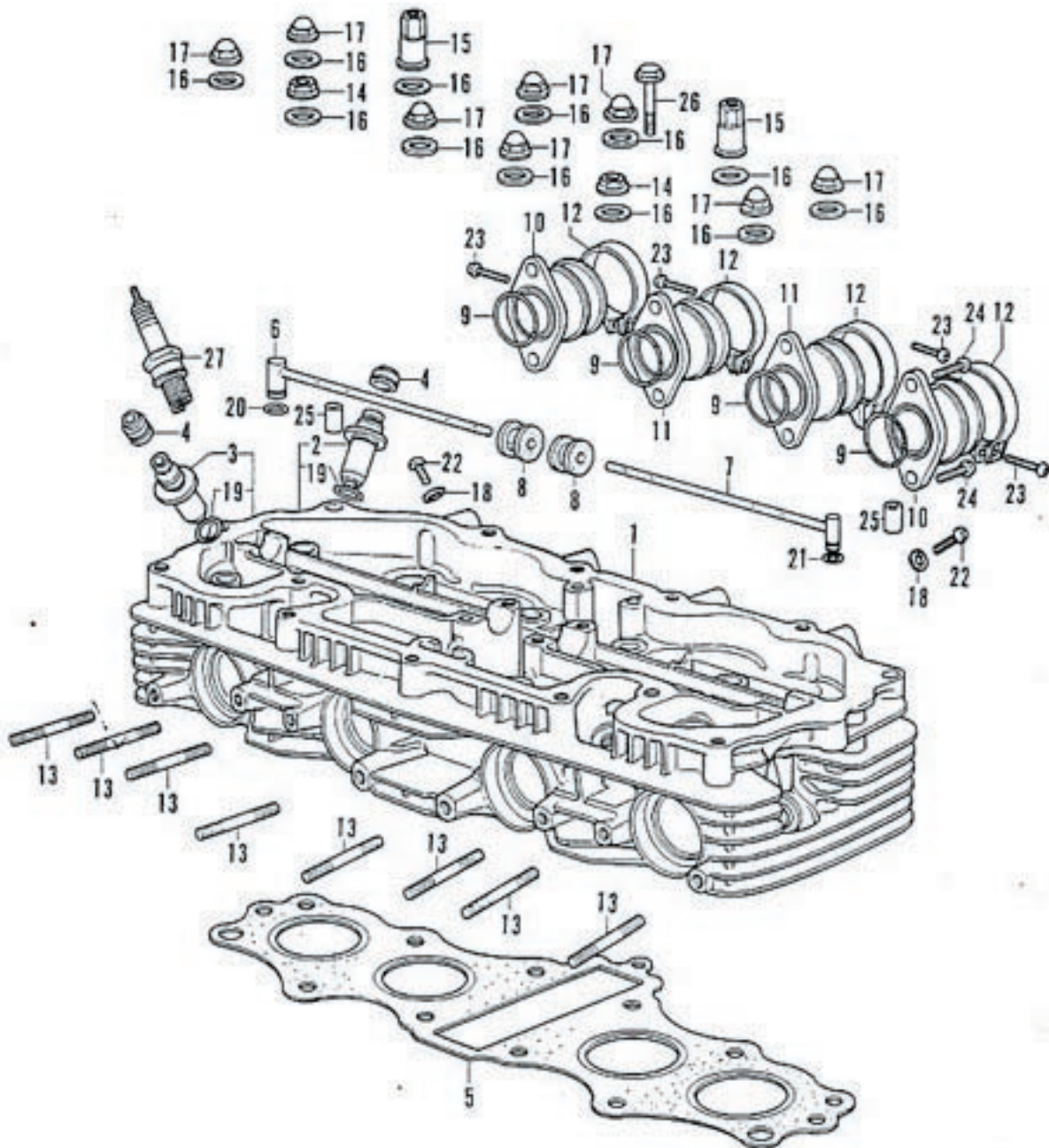


E-1 Cylinder Head Cover

Ref. No.	Part No.	Description	Reqd. No. CB350F	Remarks
1	12310-333-020	COVER, cylinder head	1	
2	12320-333-020	COVER COMP., breather	1	
3	12329-333-010	PACKING, breather cover	1	
4	12361-300-000	CAP, tappet adjusting hole	8	
5	12391-333-000	PACKING, cylinder head cover	1	
6	12431-333-010	GEAR, tachometer	1	
7	12435-333-000	COLLAR, tachometer gear	1	
8	15761-303-000	TUBE, breather	1	
9	15772-292-010	CLIP, breather tube	1	
10	90018-333-000	BOLT, U.B.S. 6x38	2	
11	90084-333-000	BOLT, sealing	4	
12	90457-333-000	WASHER, thrust, 12 mm	1	
13	90458-324-010	WASHER, thrust, 6.7 mm	1	
14	90601-333-000	RING, set, 12.7 mm	1	
15	91201-324-010	OIL-SEAL, 6.5x14.5x7	1	
16	91302-001-020	O-RING, 30.8 mm	8	
17	93700-05020-0A	SCREW, oval, 5x20	1	
18	94109-14000	WASHER, plug drain, 14 mm	4	
19	95700-06028	BOLT, flange, 6x28	9	
20	95700-06032	BOLT, flange, 6x32	6	
21	95700-06035	BOLT, flange, 6x35	2	
22	95700-06040	BOLT, flange, 6x40	3	
23	95700-06060	BOLT, flange, 6x60	5	

ENGINE GROUP

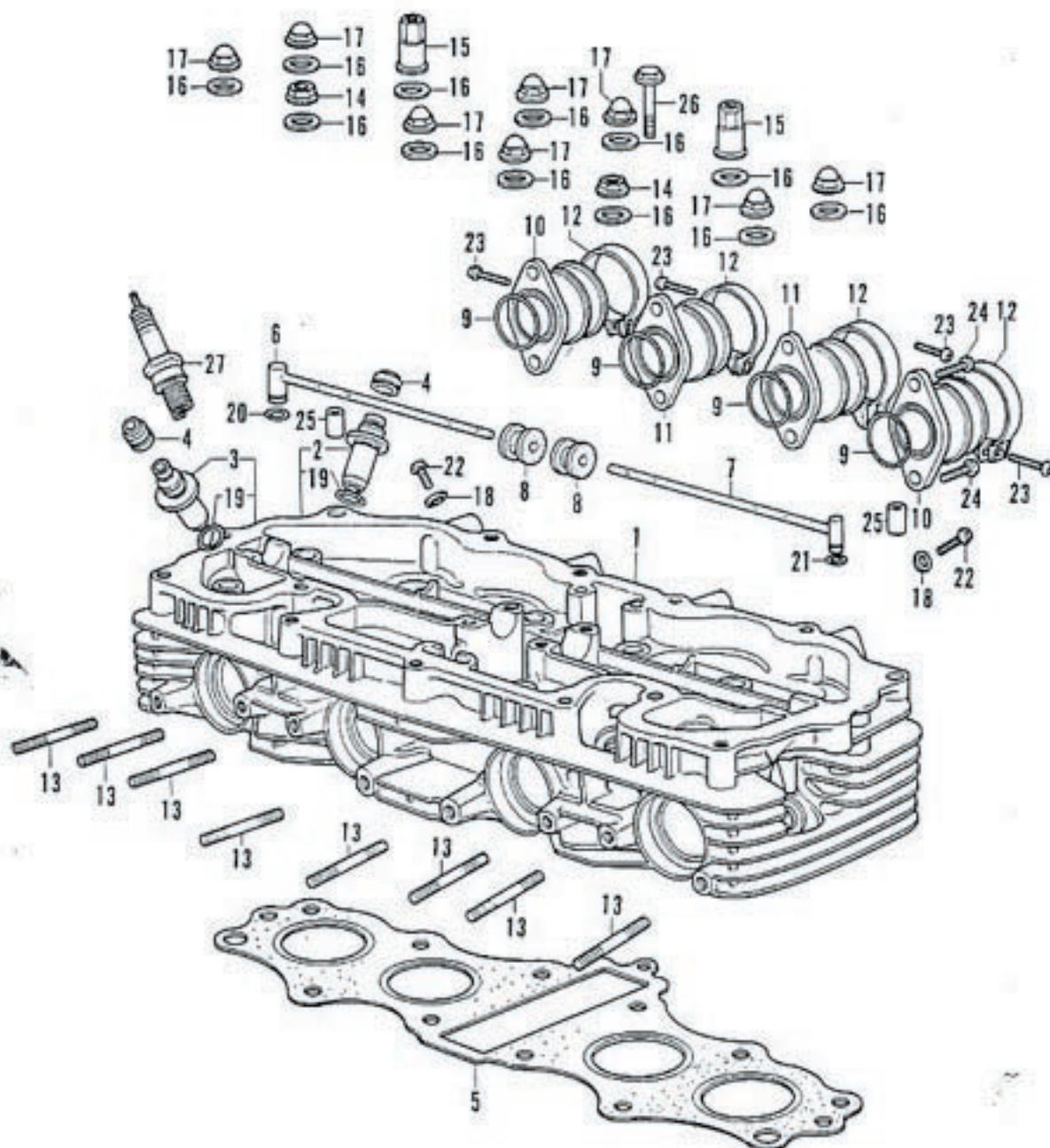
E-2 Cylinder Head



E-2 Cylinder Head

Ref. No.	Part No.	Description	Reqd. No. CB350F	Remarks
1	12200-333-050	HEAD COMP., cylinder	1	~1034531
O	12200-333-060	HEAD COMP., cylinder	1	~1034532
O 2	12202-333-315	GUIDE, inlet valve	4	
O 3	12203-333-325	GUIDE, exhaust valve	4	
4	12209-333-005	SEAL, valve stem (N.O.K.).....	8	
5	12251-333-003	GASKET, cylinder (ISHINO).....	1	
6	12903-333-000	PIPE COMP., right oil.....	1	
7	12904-333-000	PIPE COMP., left oil	1	
8	12905-333-000	HOLDER, oil pipe.....	2	
9	16173-253-004	O-RING, 27×2.4	4	
10	16212-333-030	INSULATOR A, carburetor	2	
11	16213-333-030	INSULATOR B, carburetor	2	
12	17255-246-000	BAND, air cleaner connecting tube.....	4	
13	90044-333-300	BOLT, stud, 6×50.....	8	
14	90236-300-000	NUT, 8 mm	2	
15	90237-333-000	NUT, special, 8 mm	2	
16	90441-333-000	WASHER, 8 mm	12	
17	90443-107-000	NUT, cup, 8 mm.....	8	
18	90452-323-000	WASHER, 5 mm.....	4	
19	91301-200-000	O-RING, 10×1.6	8	
20	91301-333-000	O-RING, 7×1.7	1	

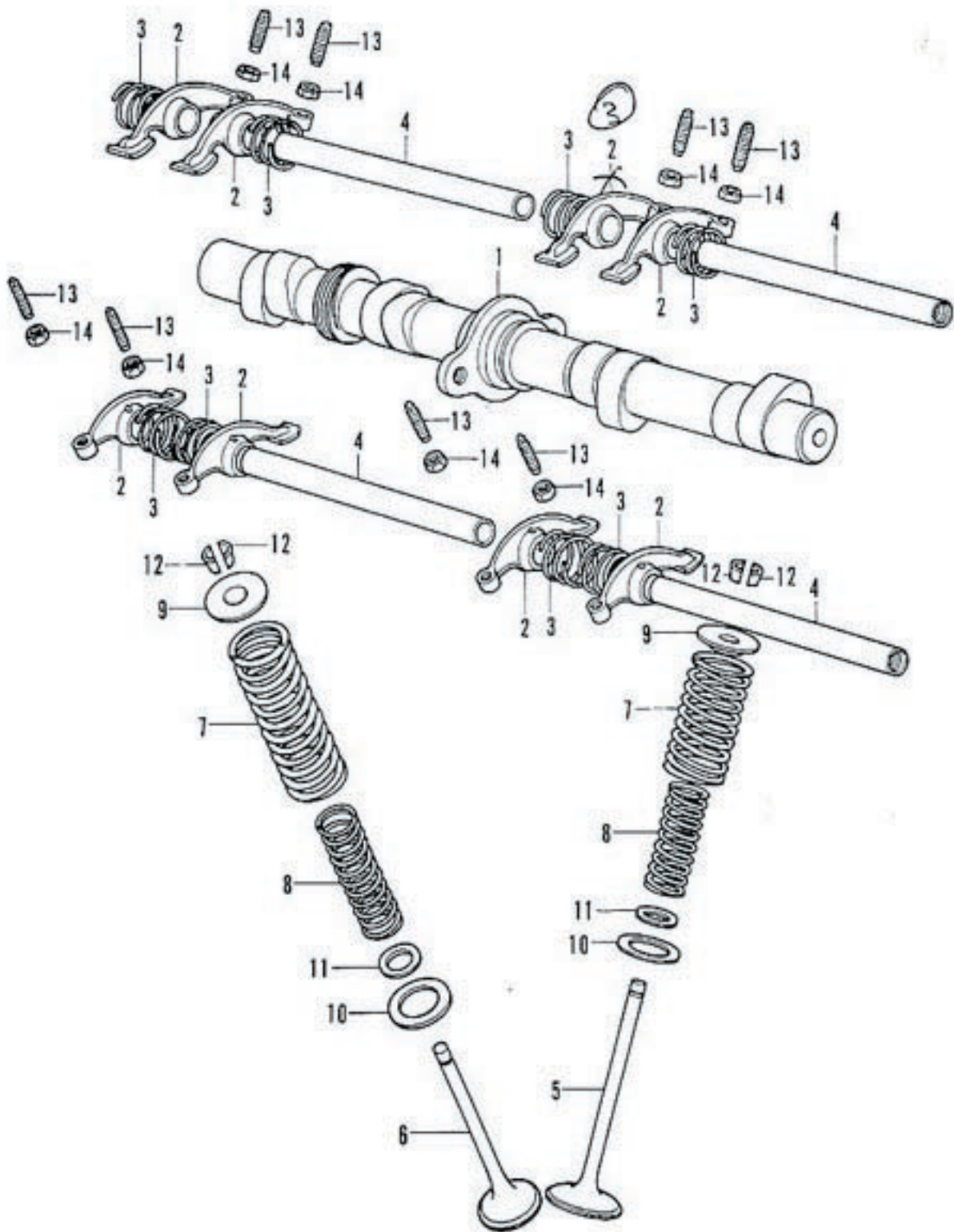
E-2 Cylinder Head



E-2 Cylinder Head

Ref. No.	Part No.	Description	Reqd. No. CB350F	Remarks
21	91305-333-000	O-RING, 5x1.7	1	
22	93500-05006-0A	SCREW, pan, 5x6.....	4	
23	93500-05025-0A	SCREW, pan, 5x25	4	
24	93500-06018	SCREW, pan, 6x18	8	
25	94301-08140	PIN, dowel, 8x14	2	
26	95700-06035	BOLT, flange, 6x35	1	
27	98069-38710	PLUG, spark (D-8ES-L)	4	
	98069-58700	(Superseded by 98069-58711)	(4)	
○	98069-58711	PLUG, spark (D-8ES)	(4)	
	98069-58721	PLUG, spark (X24ES)	4	

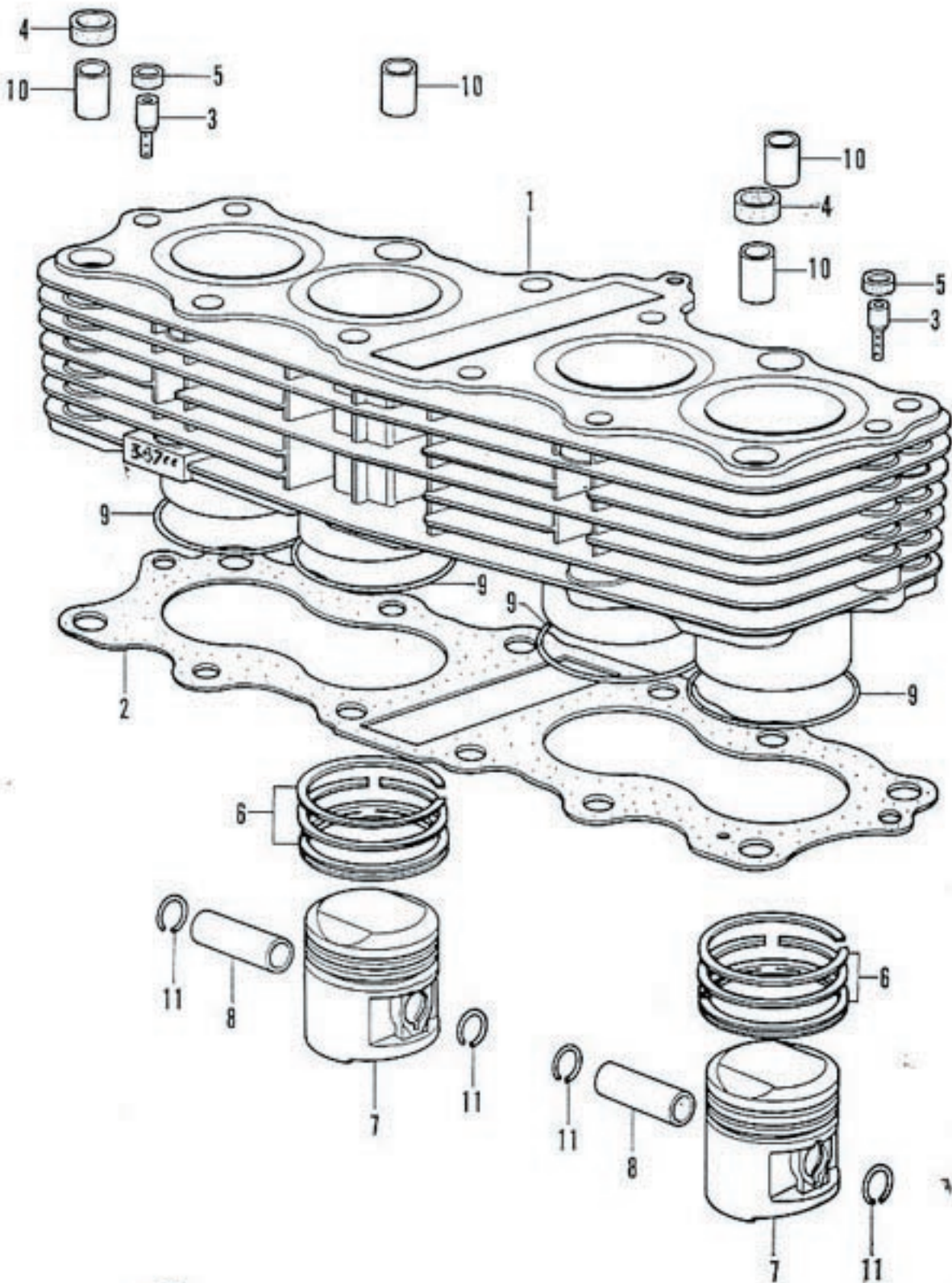
E-3 Camshaft · Valve



E-3 Camshaft · Valve

Ref. No.	Part No.	Description	Reqd. No. CB350F	Remarks
1	14101-333-020	CAMSHAFT	1	
2	14431-333-000	ARM, valve rocker	8	
3	14435-333-000	SPRING, rocker arm side	8	
4	14451-333-000	SHAFT, rocker arm	4	
5	14711-333-000	VALVE, inlet	4	
6	14721-333-000	VALVE, exhaust.....	4	
7	14751-333-000	(Superseded by 14751-333-010)	8	~1034531
○	14751-333-010	SPRING, outer valve	8	1034532~
8	14761-333-000	(Superseded by 14761-333-010)	8	~1034531
○	14761-333-010	SPRING, inner valve.....	8	1034532~
9	14771-107-020	RETAINER, valve spring	8	
10	14775-107-000	SEAT, valve spring outer	8	
11	14776-107-010	SEAT, valve spring inner	8	
12	14781-107-020	COTTER, valve	16	
13	90012-333-000	SCREW, tappet adjusting.....	8	
14	90205-001-000	NUT, tappet adjusting	8	

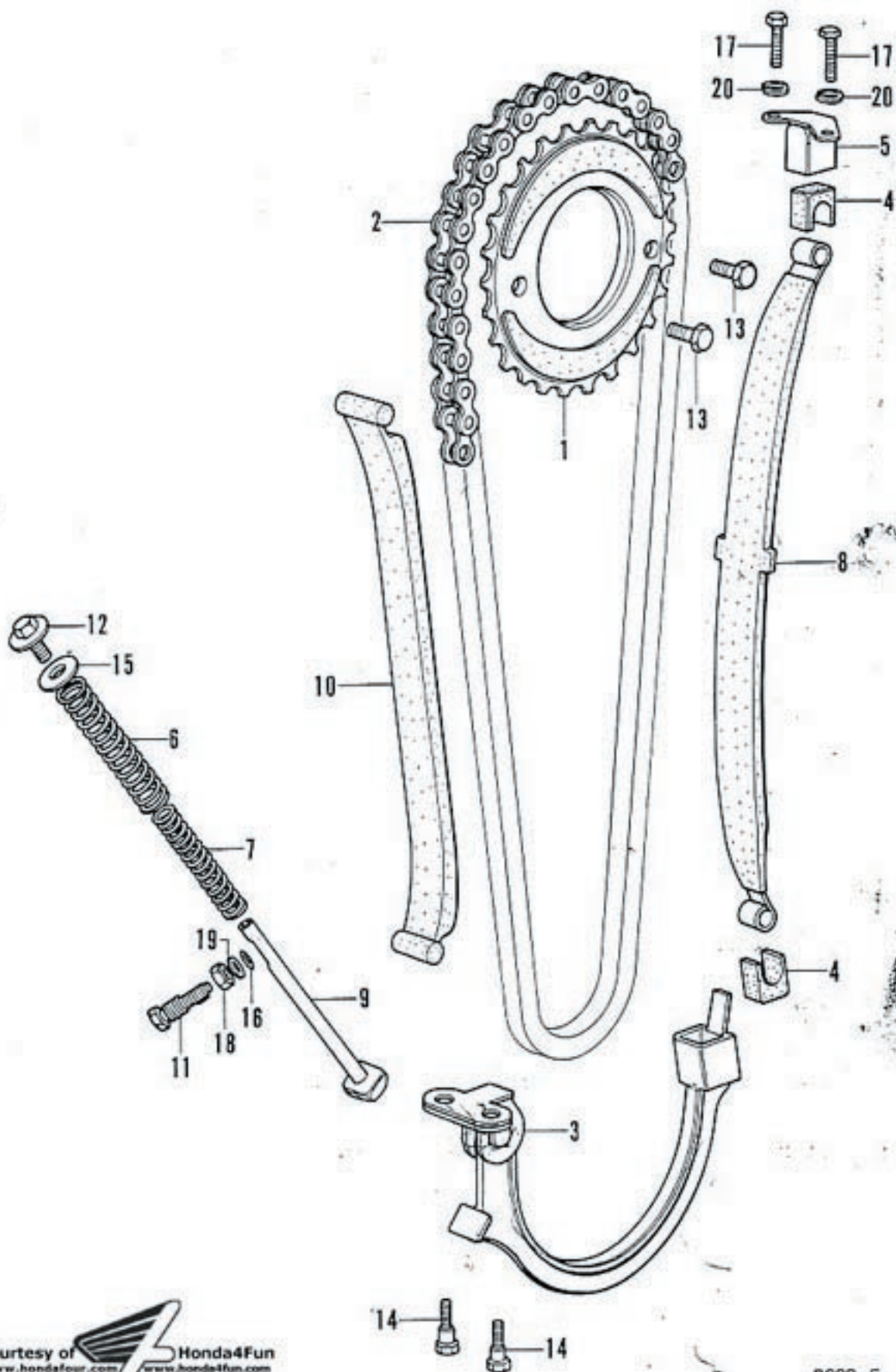
E-4 Cylinder · Piston



E-4 Cylinder · Piston

Ref. No.	Part No.	Description	Reqd. No. CB350F	Remarks
1	12100-333-030	CYLINDER COMP.	1	
2	12191-333-010	PACKING, cylinder	1	
3	12901-333-000	VALVE, oil control orifice	2	
4	12909-333-000	GASKET, cylinder stud	2	
5	12910-333-000	GASKET, orifice valve.....	2	
6	13011-333-003	RING-SET, piston (STD.) (NIHON)	4	
	13011-333-004	RING-SET, piston (STD.) (RIKEN)	4	
	13011-333-005	RING-SET, piston (STD.) (TEIKOKU).....	4	
	13012-333-003	RING-SET, piston (0.25) (NIHON)	(4)	
	13012-333-004	RING-SET, piston (0.25) (RIKEN)	(4)	
	13021-333-305	(Superseded by 13012-333-005)	(4)	
	13012-333-005	RING-SET, piston (0.25) (TEIKOKU)	(4)	
	13013-333-003	RING-SET, piston (0.50) (NIHON)	(4)	
	13013-333-004	RING-SET, piston (0.50) (RIKEN)	(4)	
	13031-333-305	(Superseded by 13013-333-005)	(4)	
	13013-333-005	RING-SET, piston (0.50) (TEIKOKU)	(4)	
	13014-333-003	RING-SET, piston (0.75) (NIHON)	(4)	
	13014-333-004	RING-SET, piston (0.75) (RIKEN)	(4)	
	13041-333-305	(Superseded by 13014-333-005)	(4)	
	13014-333-005	RING-SET, piston (0.75) (TEIKOKU)	(4)	
	13015-333-003	RING-SET, piston (1.00) (NIHON)	(4)	
	13015-333-004	RING-SET, piston (1.00) (RIKEN)	(4)	
	13051-333-305	(Superseded by 13015-333-005)	(4)	
	13015-333-005	RING-SET, piston (1.00) (TEIKOKU)	(4)	
7	13101-333-010	PISTON (STD.)	4	
	13102-333-010	PISTON (0.25).....	(4)	
	13103-333-010	PISTON (0.50).....	(4)	
	13104-333-010	PISTON (0.75).....	(4)	
	13105-333-010	PISTON (1.00).....	(4)	
8	13111-087-000	PIN, piston	4	
9	91305-216-000	O-RING, 46×2	4	
10	94301-12200	PIN, dowel, 12×20	4	
11	94601-13000	CLIP, piston pin, 13 mm	8	

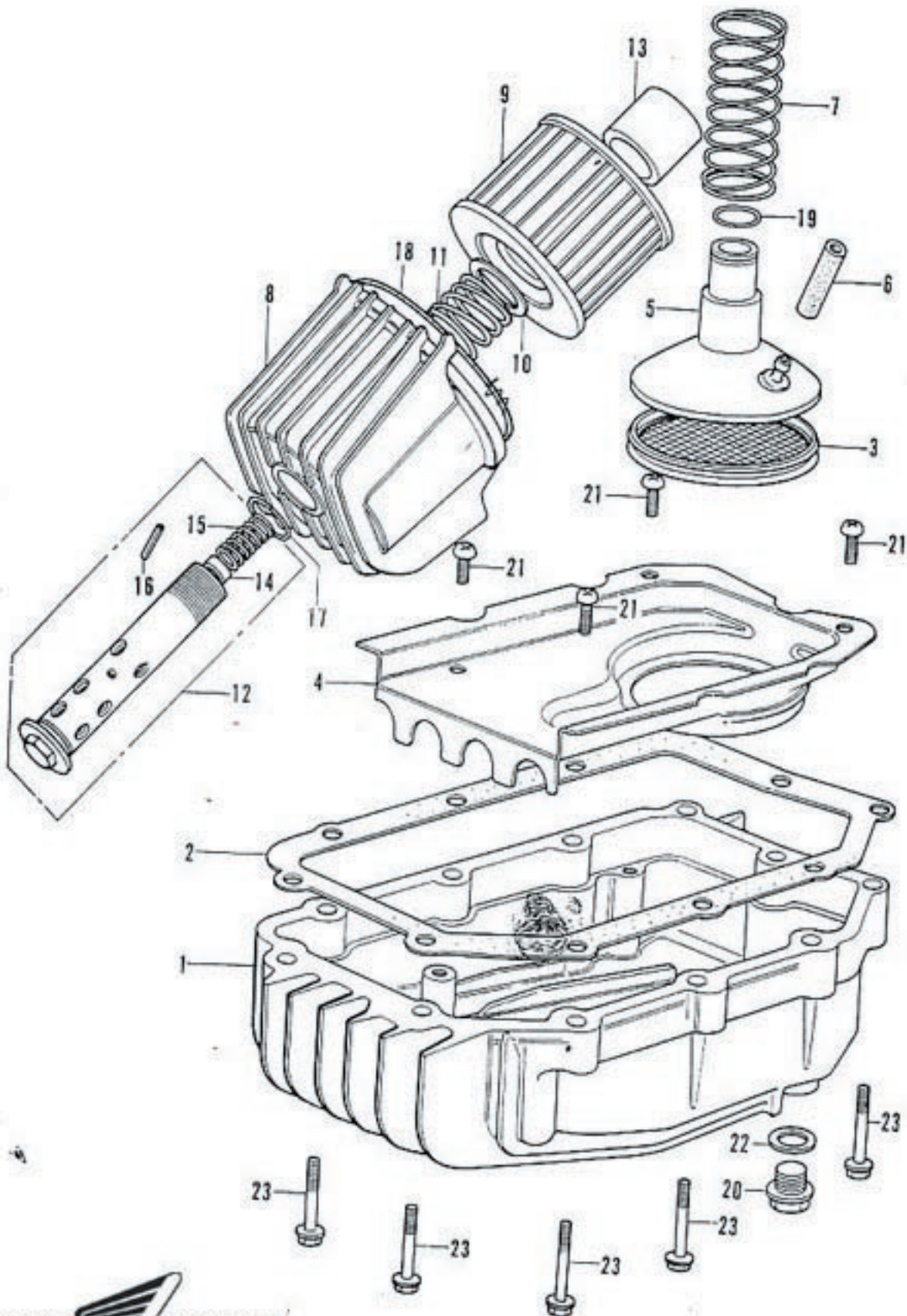
E-5 Cam Chain - Tensioner



E-5 Cam Chain · Tensioner

Ref. No.	Part No.	Description	Reqd. No. CB350F	Remarks
1	14321-333-000	SPROCKET, cam	1	
2	14401-333-003	CHAIN, cam (D.I.D. 219T-82L, Endless)	1	
3	14500-333-020	ARM COM ¹ , cam chain tensioner	1	
4	14501-323-000	DAMPER, tensioner	2	
5	14530-333-000	HOLDER, cam chain tensioner	1	
6	14541-333-020	SPRING, tensioner outer	1	
7	14543-333-000	SPRING, tensioner inner	1	
8	14545-333-000	SLIPPER, tensioner	1	
9	14550-333-000	BAR, cam chain tensioner push	1	
10	14620-333-000	GUIDE, cam chain	1	
11	90016-286-000	BOLT, tensioner setting	1	
12	25911-500-000	BOLT, oil check	1	
13	90081-246-000	BOLT, knock, 7×12	2	
14	90081-312-000	BOLT, knock, 6×14	2	
15	90474-333-000	WASHER, 8 mm	1	
16	91317-703-000	O-RING, 6×1.7	1	
17	92000-06020	BOLT, hex., 6×20	2	
18	94002-08000-0S	NUT, hex., 8 mm	1	
19	94101-06000	WASHER, plain, 6 mm	1	
20	94111-06000	WASHER, spring, 6 mm	2	

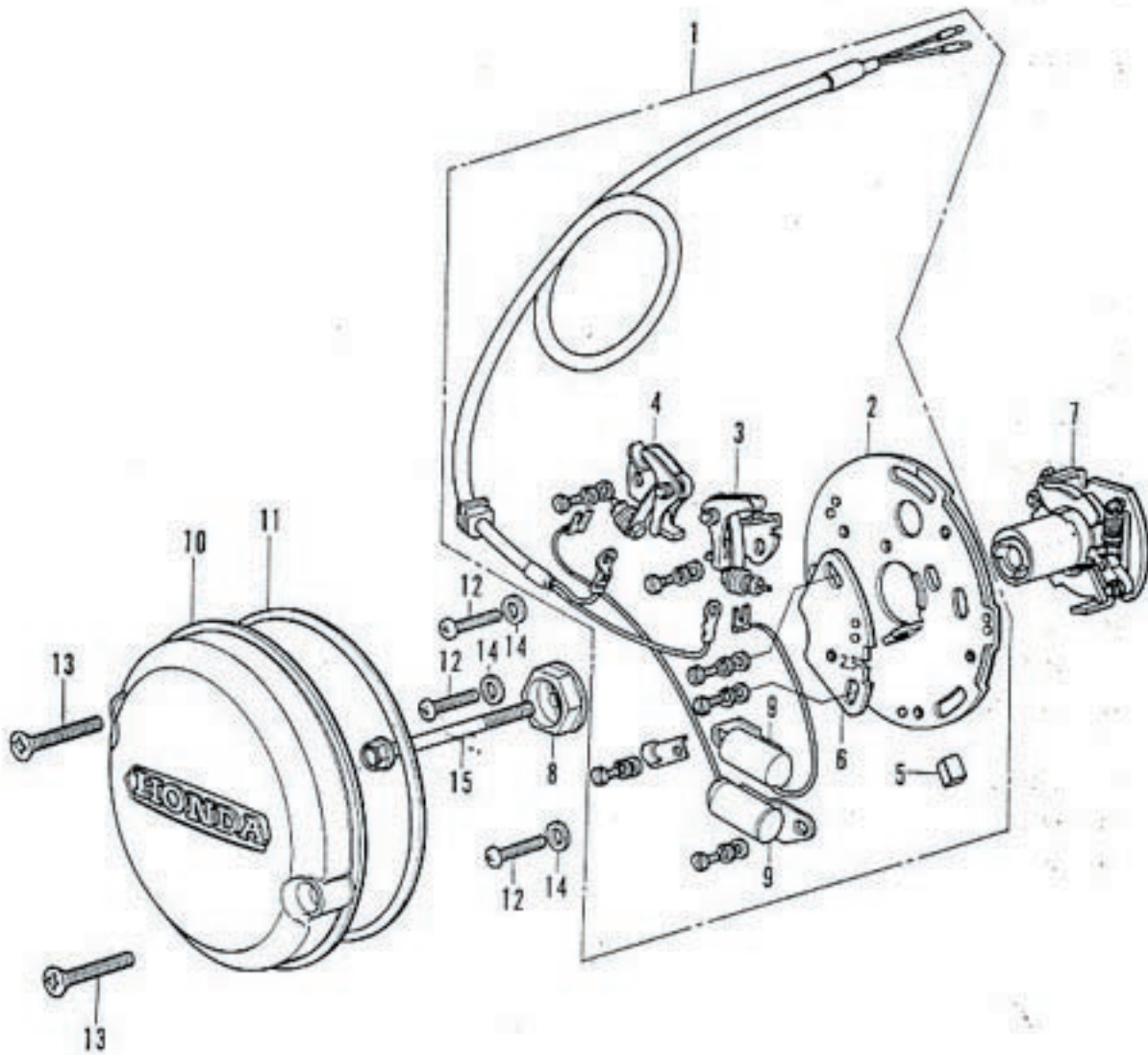
E-6 Oil Filter • Oil Pan



E-6 Oil Filter - Oil Pan

Ref. No.	Part No.	Description	Reqd. No. CB350F	Remarks
1	11210-333-020	PAN, oil	1	
2	11398-333-020	PACKING, oil pan	1	
3	15151-333-000	SCREEN, oil strainer	1	
4	15152-333-000	PLATE, oil separator.....	1	
5	15153-333-000	BODY, oil screen	1	
6	15155-333-000	PIPE, miss oil.....	1	
7	15157-333-000	SPRING, oil screen set	1	
8	15411-333-000	CASE, oil filter	1	
9	15412-300-024	ELEMENT, oil filter (TOKYO ROKI)	1	
10	15414-300-000	SEAT, oil filter spring.....	1	
11	15415-300-000	SPRING, oil filter element set	1	
12	15420-333-000	BOLT COMP., oil filter center	1	
13	15423-333-000	COLLAR, oil filter bolt	1	
14	15473-300-300	VALVE, check	1	
15	15474-300-310	SPRING, check valve	1	
16	15477-300-300	PIN, spring set	1	
17	91302-028-000	O-RING, 15×2.5	1	
18	91316-300-003	O-RING, 89×4.5 (ARAI)	1	
19	91329-590-003	O-RING, 16.5×2 (ARAI)	1	
20	92800-12000	BOLT, drain plug, 12 mm	1	
21	93500-06012	SCREW, pan, 6×12	4	
22	94109-12000	WASHER, drain plug, 12 mm	1	
23	95700-06040	BOLT, flange, 6×40	11	

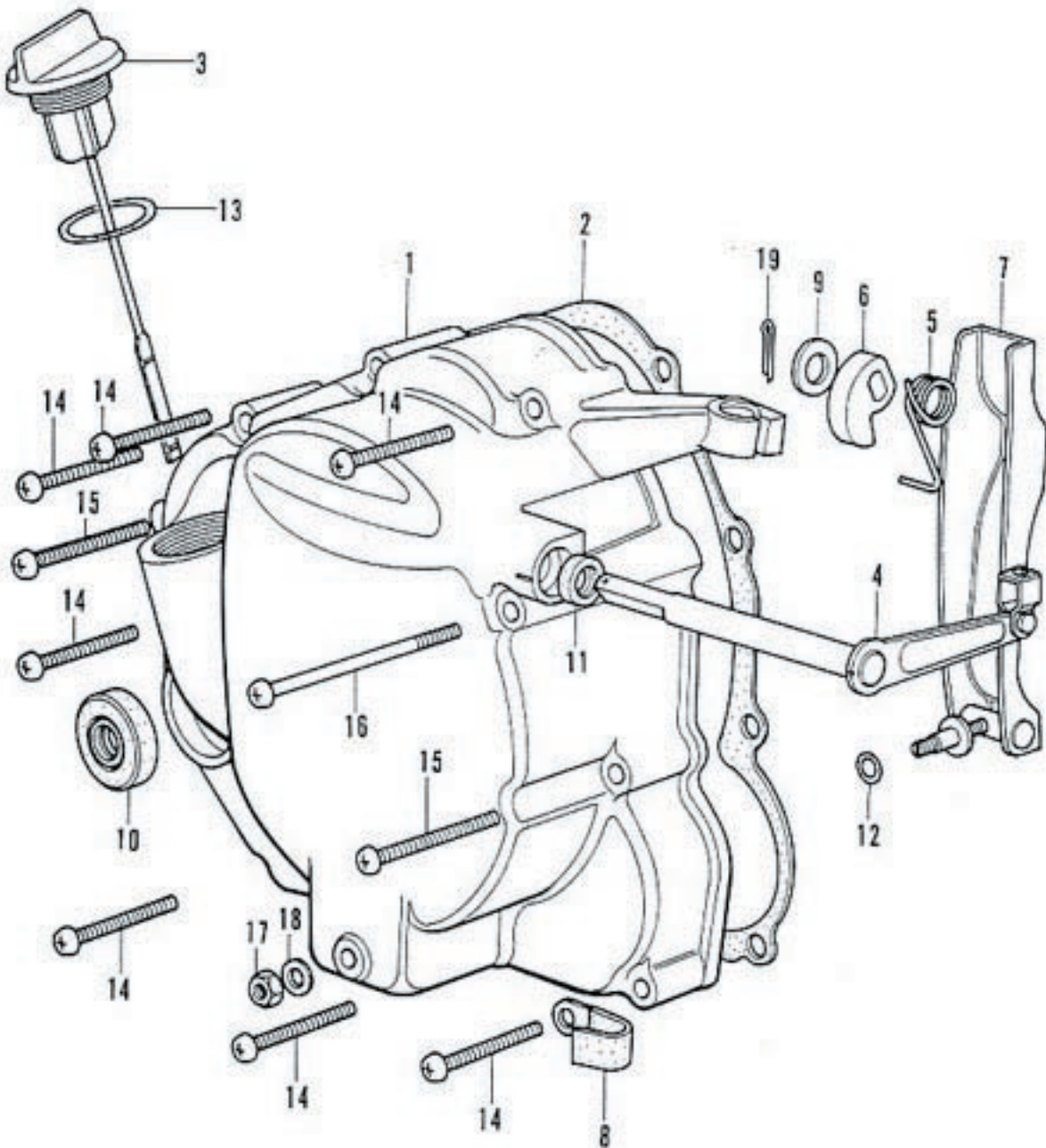
E-7 Contact Breaker - Advancer



E-7 Contact Breaker - Advancer

Ref. No.	Part No.	Description	Reqd. No. CB350F	Remarks
1	30200-333-004	BREAKER ASSY., contact (NIPPON DENSO) ...	1	
2	30201-333-004	PLATE, contact breaker base.....	1	
3	30203-333-004	BREAKER, right contact.....	1	
4	30204-333-004	BREAKER, left contact	1	
5	30205-028-004	FELT, oil	1	
6	30215-333-004	PLATE, breaker shift	1	
7	30220-333-004	ADVANCER ASSY., spark	1	
8	30233-333-000	WASHER, advancer special	1	
9	30250-333-004	CONDENSER COMP.	2	
10	30370-323-000	COVER COMP., point.....	1	
11	30372-300-300	GASKET, point cover	1	
12	93500-05014-0A	SCREW, pan, 5x14	3	
13	93700-06030	SCREW, oval, 6x30.....	2	
14	94101-05000	WASHER, plain, 5 mm.....	3	
15	95800-06055	BOLT, flange, 6x55	1	

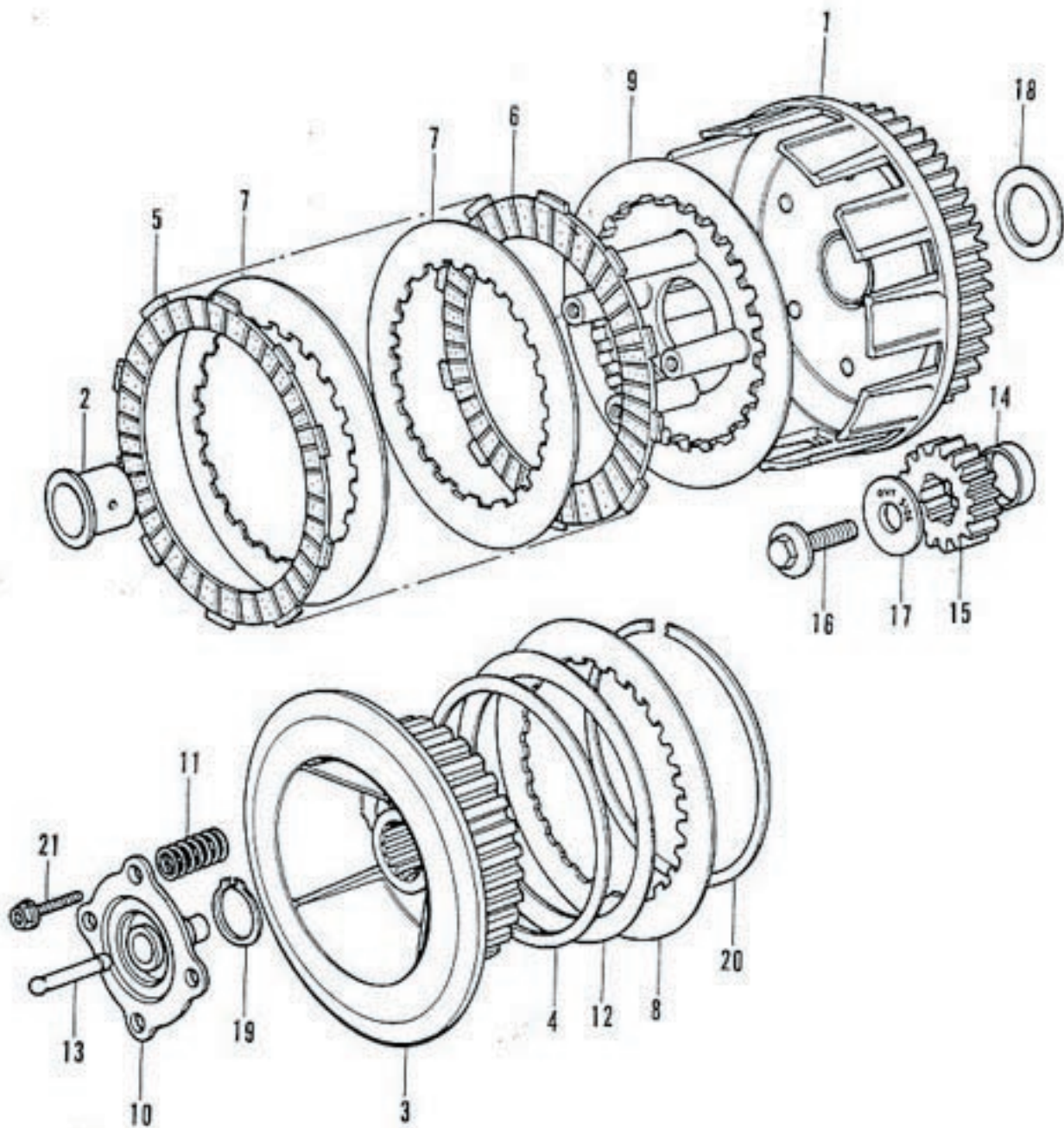
E-8 Right Crankcase Cover - Clutch Lever



E-8 Right Crankcase Cover - Clutch Lever

Ref. No.	Part No.	Description	Reqd. No. CB350F	Remarks
1	11331-333-030	COVER, right crankcase	1	
2	11394-333-020	PACKING, right crankcase cover.....	1	
3	15650-333-000	GAUGE, oil level	1	
4	22810-333-030	LEVER COMP., clutch	1	
5	22815-333-000	SPRING, clutch lever return	1	
6	22821-107-000	CAM, clutch lifter	1	
7	22831-333-010	LEVER COMP., clutch adjusting	1	
8	32112-333-000	CRAMPER B, cord	1	
9	90471-333-000	WASHER, 10 mm	1	
10	91204-259-000	OIL-SEAL, 16×28×7	1	
11	91206-333-003	OIL-SEAL, 10×16×4.5 (ARAI)	1	
12	91301-704-000	O-RING, 6 mm	1	
13	91354-702-000	O-RING, 23 mm	1	
14	93500-06040	SCREW, pan, 6×40	7	
15	93500-06055	SCREW, pan, 6×55	2	
16	93500-06090	SCREW, pan, 6×90	1	
17	94001-06000	NUT, hex, 6 mm	1	
18	94101-06000	WASHER, plain, 6 mm.....	1	
19	94201-20150	PIN, split, 2.0×15	1	

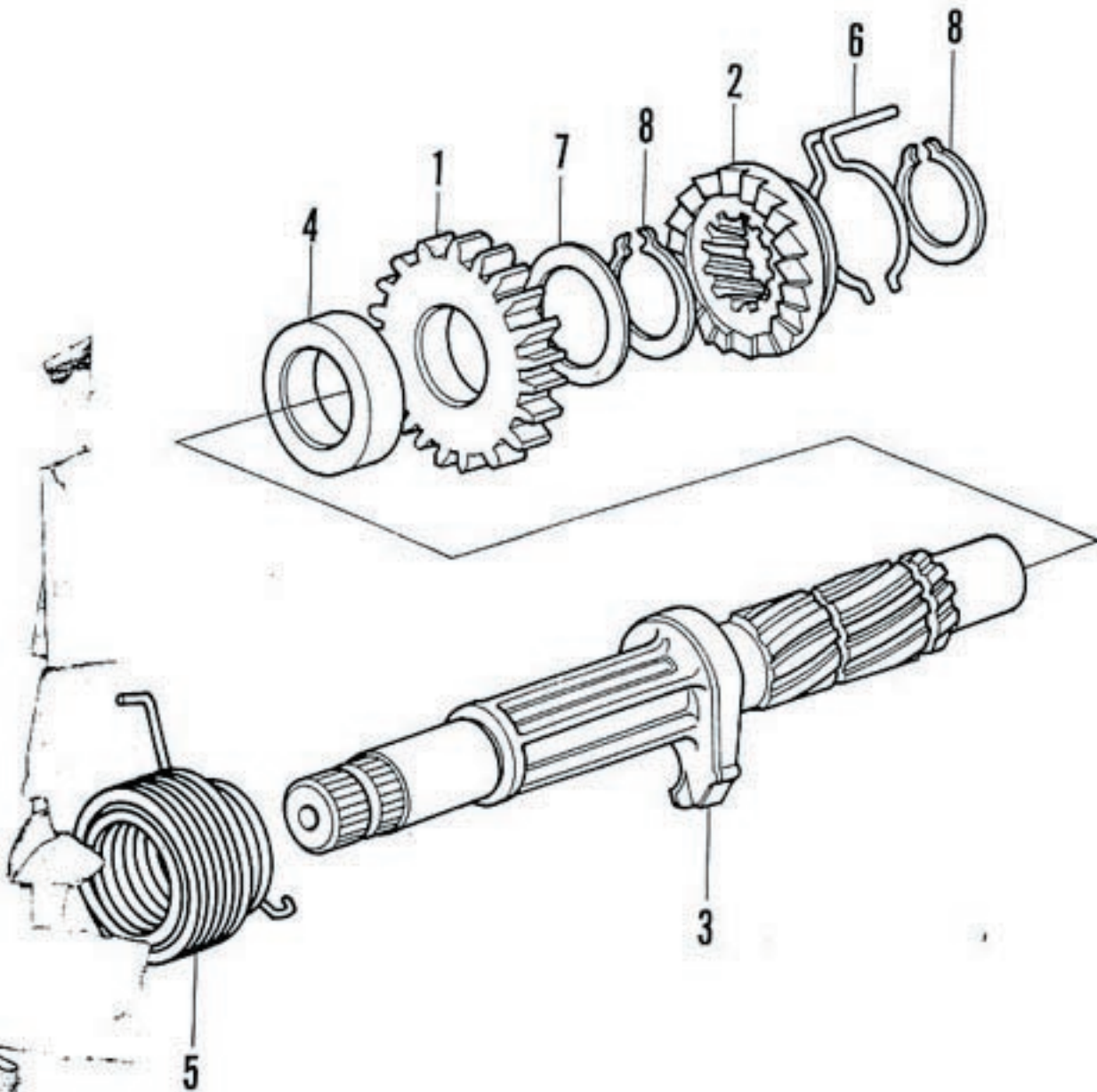
E-9 Clutch



E-9 Clutch

Ref. No.	Part No.	Description	Reqd. No. CB350F
1	22100-333-040	OUTER COMP., clutch	1
2	22116-333-020	COLLAR, 25 mm	1
3	22120-333-040	CENTER COMP., clutch.....	1
4	22125-333-000	SEAT, disk spring.....	1
5	22201-302-000	DISK, clutch friction.....	1
6	22201-333-010	DISK, clutch friction.....	6
7	23311-200-000	PLATE, clutch	6
8	22321-333-010	PLATE B, clutch	1
9	22350-333-010	PLATE, clutch pressure	1
10	22360-333-010	PLATE COMP., clutch lifter	1
11	22401-268-000	SPRING, clutch	4
12	22402-333-003	SPRING, clutch disk (N.H.K.)	1
13	22850-333-000	ROD, clutch lifter	1
14	23104-333-020	COLLAR, 25x8.5	1
15	23108-333-020	GEAR, secondary, drive	1
16	90013-333-010	BOLT, U.B.S., 12x30	1
17	90201-333-020	WASHER, primary shaft rock	1
18	90455-333-010	WASHER, thrust, 25 mm	1
19	90501-300-000	CIR-CLIP, 25 mm	1
20	90609-333-000	RING, special set, 92 mm	1
21	95700-06020	BOLT, flange, 6x20	4

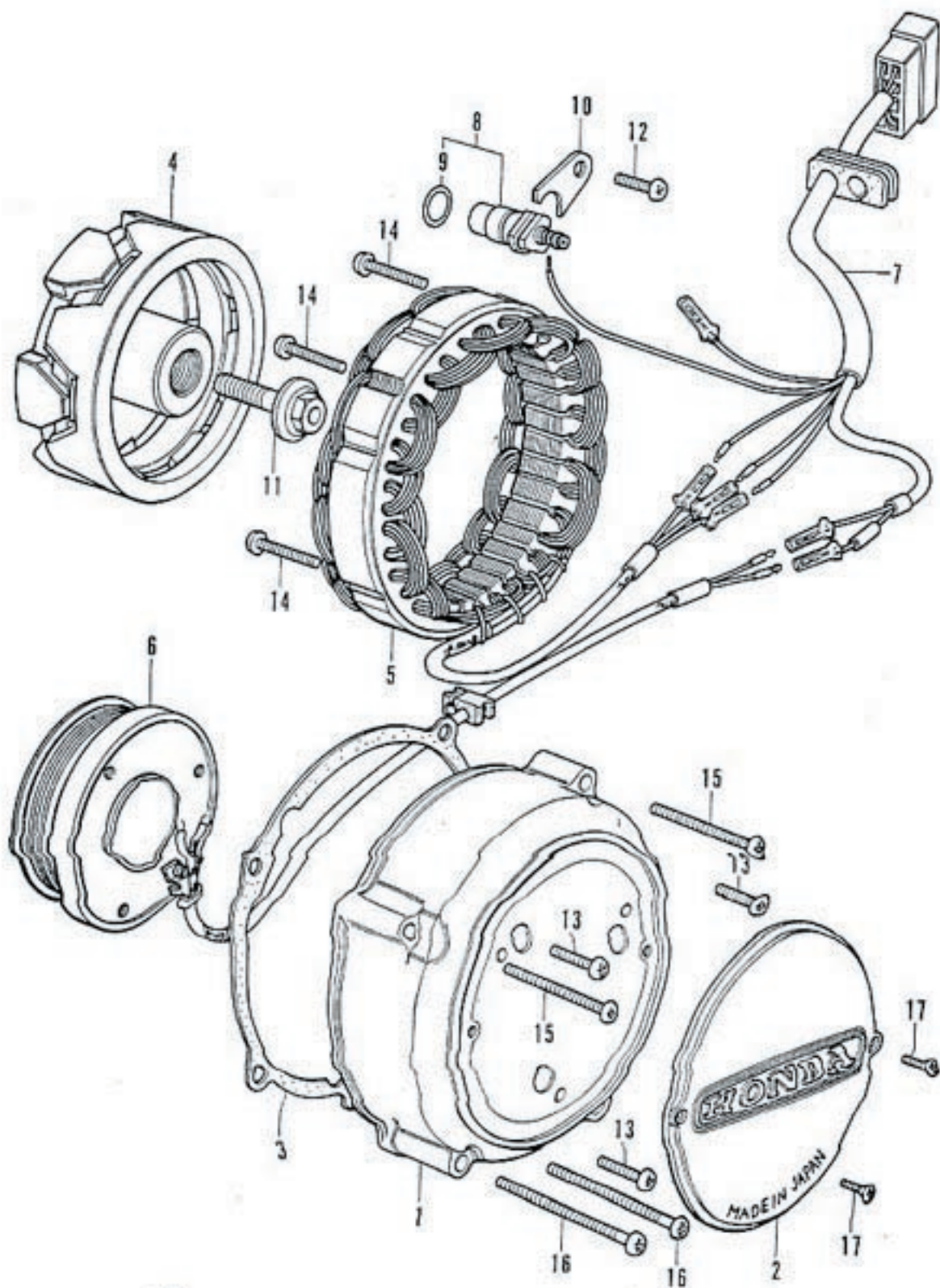
E-10 Kick Starter



E-10 Kick Starter

Ref. No.	Part No.	Description	Reqd. No. CB350F	Remarks
1	28211-333-020	PINION, kick starter	1	
2	28221-333-010	RATCHET, starter drive.....	1	
3	28251-333-010	SPINDLE, kick starter	1	
4	28259-333-010	COLLAR, kick spindle.....	1	
5	28261-333-030	SPRING, kick starter	1	
6	28271-333-000	SPRING, starter pinion friction.....	1	
7	90454-107-000	WASHER, thrust, 20 mm.....	1	
8	90605-200-000	RING, set, 20 mm	2	

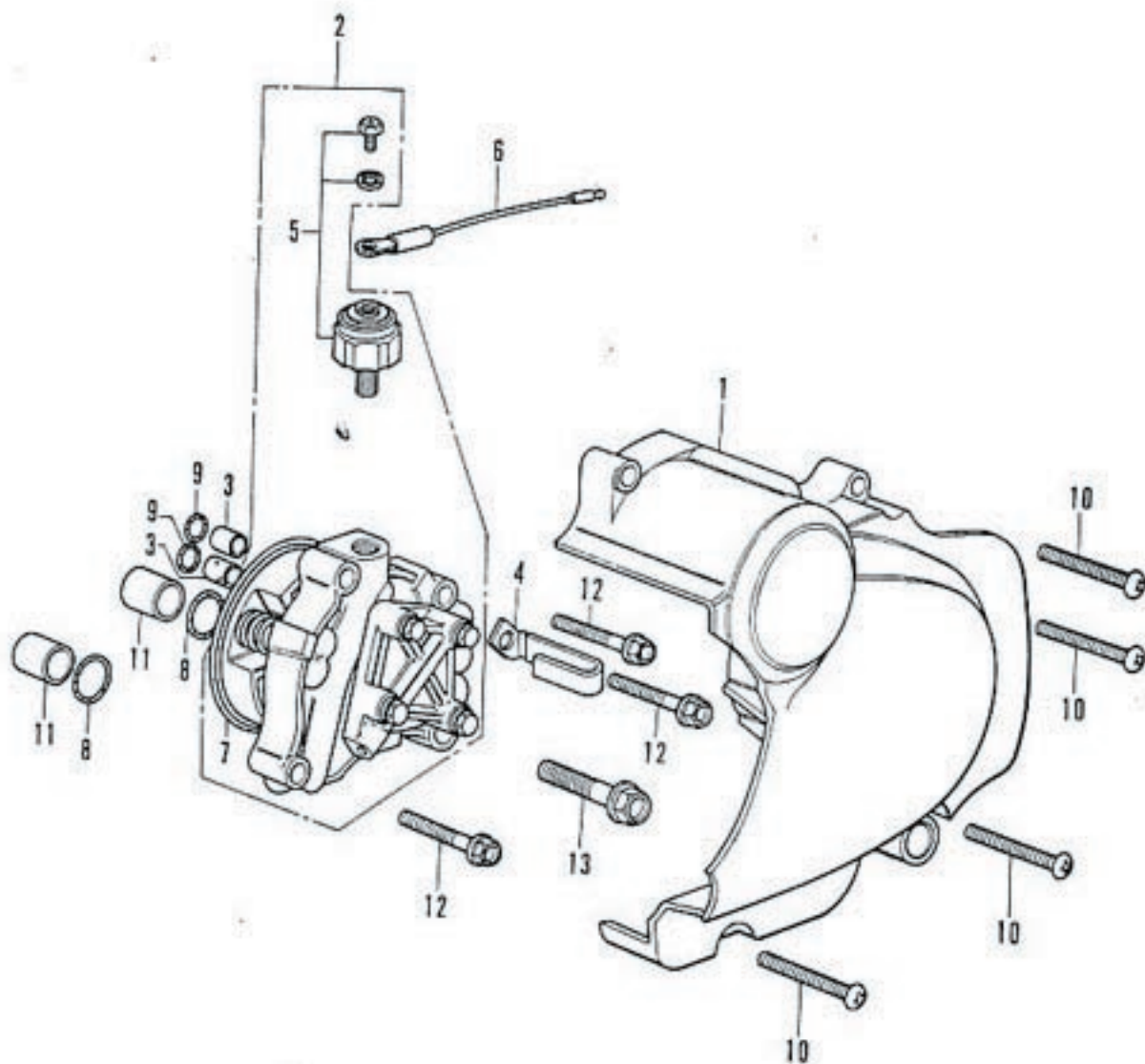
E-11 A.C. Generator



E-11 A.C. Generator

Ref. No.	Part No.	Description	Reqd. No. CB350F	Remarks
1	11631-333-010	COVER A, dynamo	1	
2	11632-333-010	COVER B, dynamo	1	
3	11691-333-000	PACKING, dynamo cover	1	
4	31101-333-004	ROTOR COMP. (NIPPON DENSO)	1	
5	31102-333-004	STATOR COMP. (NIPPON DENSO)	1	
6	31103-333-004	COIL COMP., field (NIPPON DENSO).....	1	
7	31110-333-000	HARNES, A.C. generator wire	1	
8	35750-333-013	SWITCH, neutral (T.E.C.)	1	
9	35751-333-003	O-RING	1	
10	35755-333-010	PLATE, neutral switch fixing	1	
11	90014-333-000	BOLT, hex., 10×32	1	
12	93500-06012	SCREW, pan, 6×12	1	
13	93500-06016	SCREW, pan, 6×16	3	
14	93500-06032	SCREW, pan, 6×32	3	
15	93500-06040	SCREW, pan, 6×40	2	
16	93500-06055	SCREW, pan, 6×55	2	
17	93700-04012-0B	SCREW, oval 4×12	2	

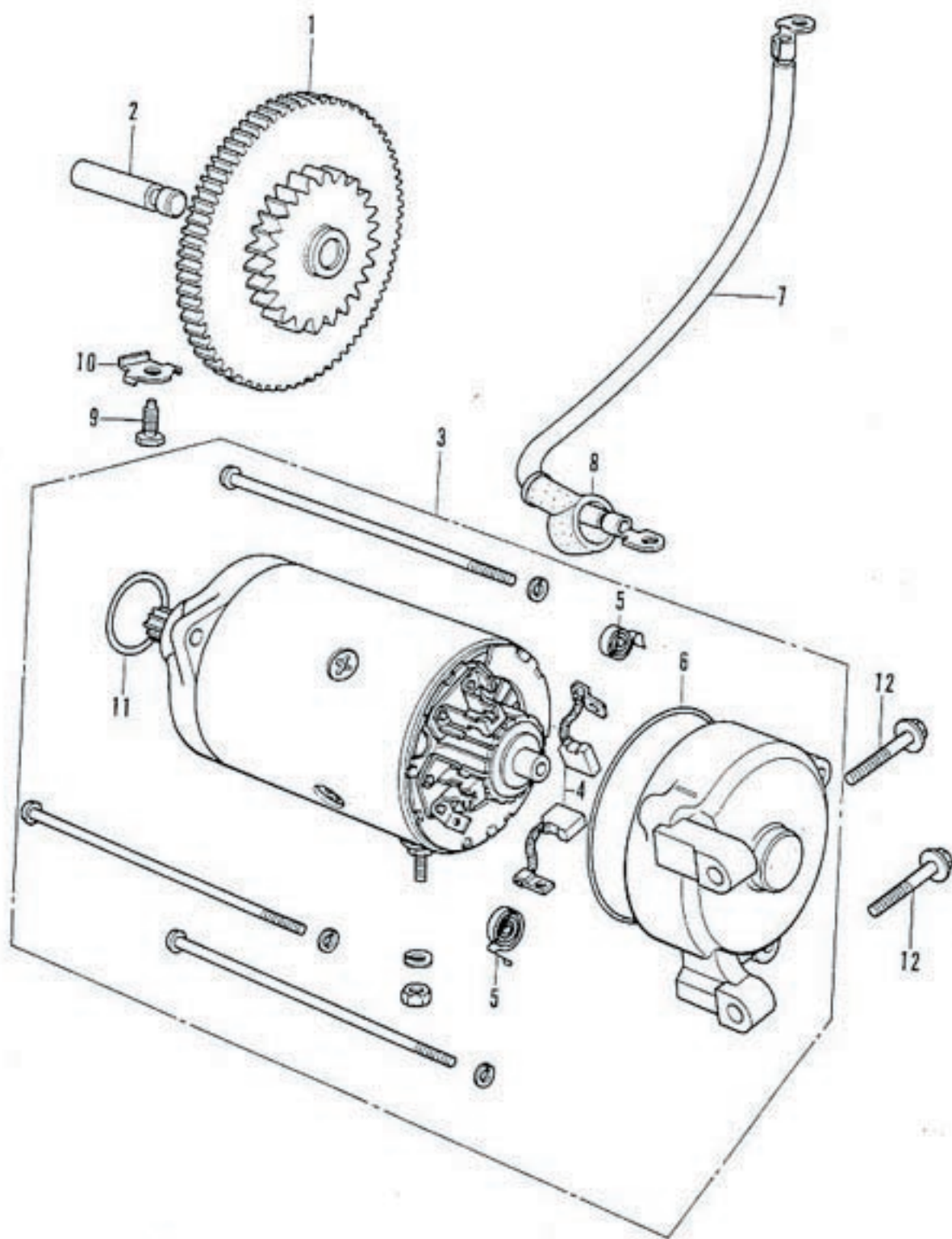
E-12 Left Crankcase Cover - Oil Pump



E-12 Left Crankcase Cover - Oil Pump

Ref. No.	Part No.	Description	Reqd. No. CB350F	Remarks
1	11341-333-000	COVER, left crankcase.....	1	
2	15100-333-010	PUMP ASSY., oil	1	
3	15391-333-000	COLLAR, o-ring, guide	2	
4	32113-333-000	CRAMPER C, cord	1	
5	35500-333-004	SWITCH ASSY., oil pressure (NIPPON DENSO)	1	
6	35510-333-000	SUB-CORD, pressure	1	
7	41123-516-000	O-RING, 63×2.5	1	
8	91302-028-000	O-RING, 15×2.5	2	
9	91302-044-010	O-RING, 9.9×1.5	2	
10	93500-06035	SCREW, pan, 6×35	4	
11	94301-14200	PIN, dowel, 14×20	2	
12	95700-06032	BOLT, flange, 6×32	3	
13	95700-08032	BOLT, flange, 8×32	1	

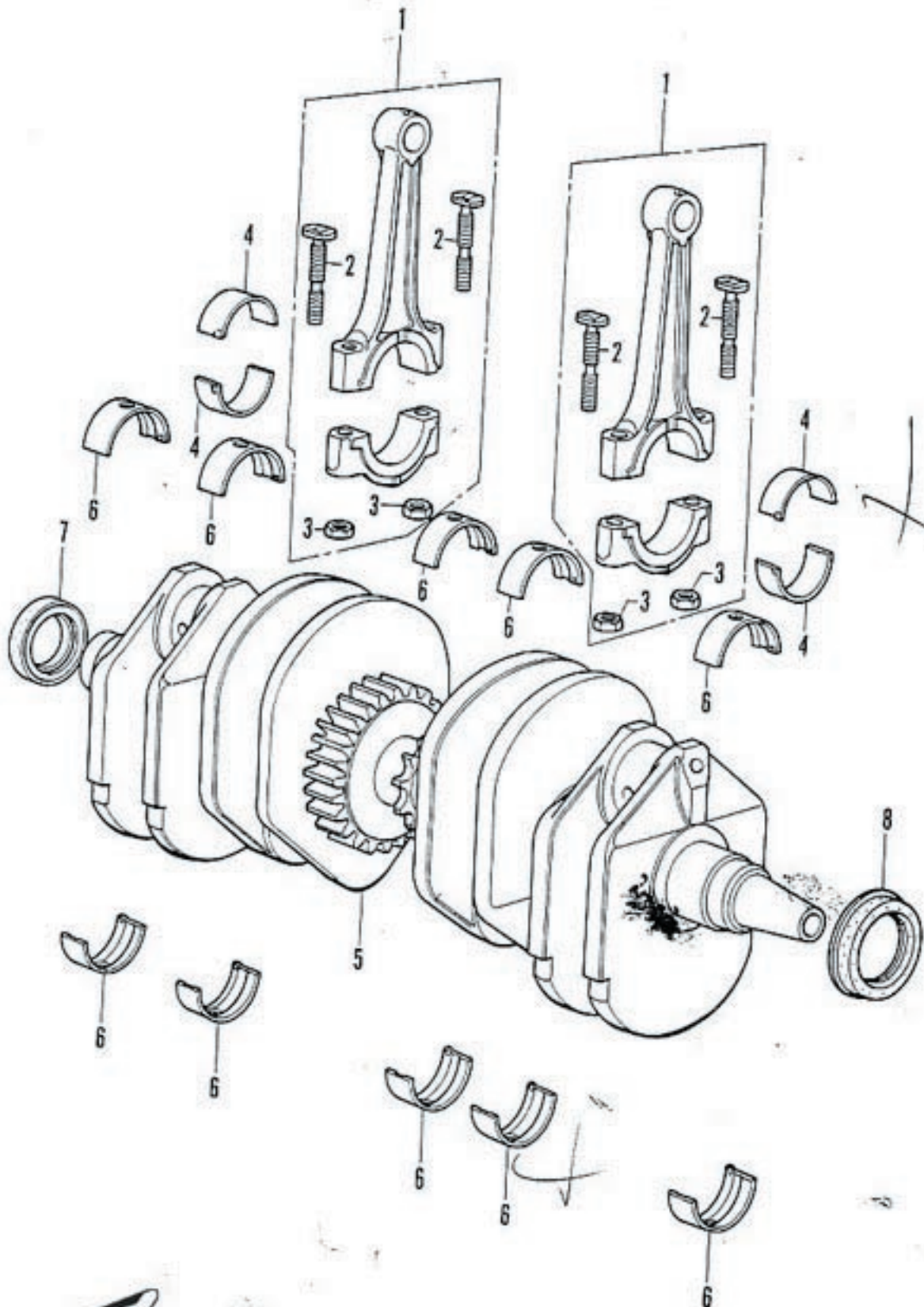
E-13 Starting Motor



E-13 Starting Motor

Ref. No.	Part No.	Description	Reqd. No. CB350F	Remarks
1	28101-333-000	GEAR, starter reduction	1	
2	28106-333-000	SHAFT, reduction gear	1	
3	31200-333-000	MOTOR ASSY., starting	1	
4	31201-230-174	BRUSH-SET, carbon (MITSUBA)	1	
5	31204-225-154	SPRING, carbon brush (MITSUBA)	2	
6	31206-286-158	O-RING (MITSUBA)	1	
7	32410-333-000	CABLE, starting motor	1	
8	32411-353-000	COVER, starting motor terminal	1	
9	90081-512-010	BOLT, stopper, 6 mm	1	
10	90433-283-000	WASHER, lock, 6 mm	1	
11	91309-300-000	O-RING, 24.4×3.1	1	
12	95700-06028	BOLT, flange, 6×28	2	

E-14 Crankshaft



E-14 Crankshaft

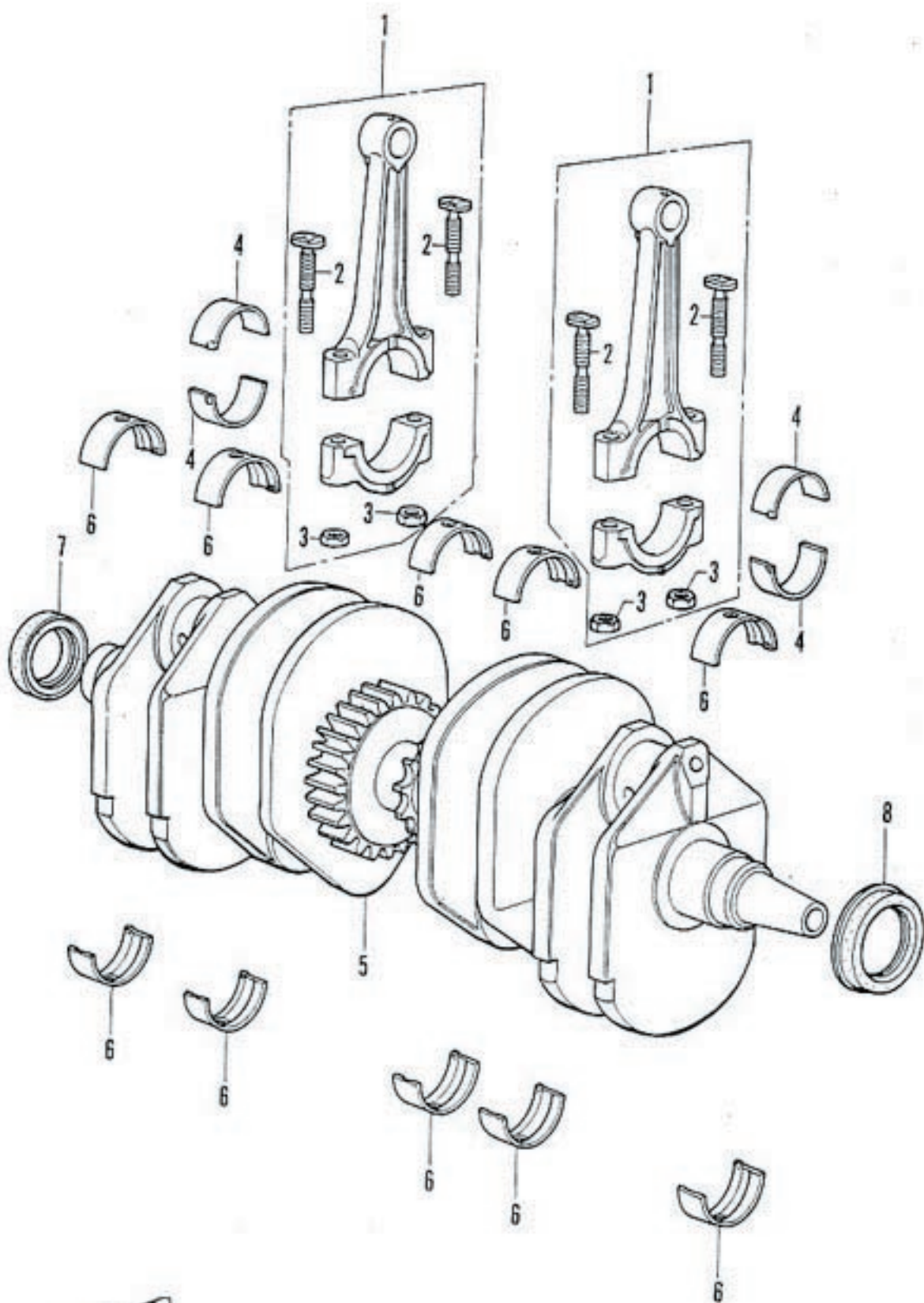
Ref. No.	Part No.	Description	Reqd. No. CB350F	Remarks
1	13210-333-001	(Sales discontinued)		
	13210-333-002	(Superseded by 13210-333-003)	(4)	
	13210-333-003	ROD ASSY. C, connecting	(4)	
	13210-333-004	ROD ASSY. D, connecting	(4)	
	13210-333-005	(Superseded by 13210-333-004)	(4)	
	13210-333-006	(Sales discontinued)		
2	13213-333-003	BOLT, connecting rod (TOKAI)	8	
3	13214-300-000	NUT, connecting rod	8	
4	13215-333-003	BEARING A, connecting rod (DAIDO).....	(8)	
	13216-333-003	BEARING B, connecting rod (DAIDO).....	(8)	
	13217-333-003	BEARING C, connecting rod (DAIDO).....	(8)	
	13218-333-003	BEARING D, connecting rod (DAIDO).....	(8)	
	13219-333-003	BEARING E, connecting rod (DAIDO).....	(8)	

Selection table of connecting rod big end bearing

Crank pin allowance		A	$32\phi \begin{smallmatrix} +0 \\ -0.010 \end{smallmatrix}$	B	$32\phi \begin{smallmatrix} -0.010 \\ -0.020 \end{smallmatrix}$	C	$32\phi \begin{smallmatrix} -0.020 \\ -0.030 \end{smallmatrix}$
		Bearing mark (color)	Clearance (μ)	Bearing mark (color)	Clearance (μ)	Bearing mark (color)	Clearance (μ)
1	$35\phi \begin{smallmatrix} +0.008 \\ -0 \end{smallmatrix}$	E (RED)	18~44	D (YELLOW)	20~46	C (GREEN)	22~48
2	$35\phi \begin{smallmatrix} +0.016 \\ +0.008 \end{smallmatrix}$	D (YELLOW)	18~44	C (GREEN)	20~46	B (BROWN)	22~48
3	$35\phi \begin{smallmatrix} +0.024 \\ +0.016 \end{smallmatrix}$	C (GREEN)	18~44	B (BROWN)	20~46	A (BLACK)	22~48

5	13300-333-010	CRANKSHAFT COMP.	1
---	---------------	-----------------------	---

E-14 Crankshaft



E-14 Crankshaft

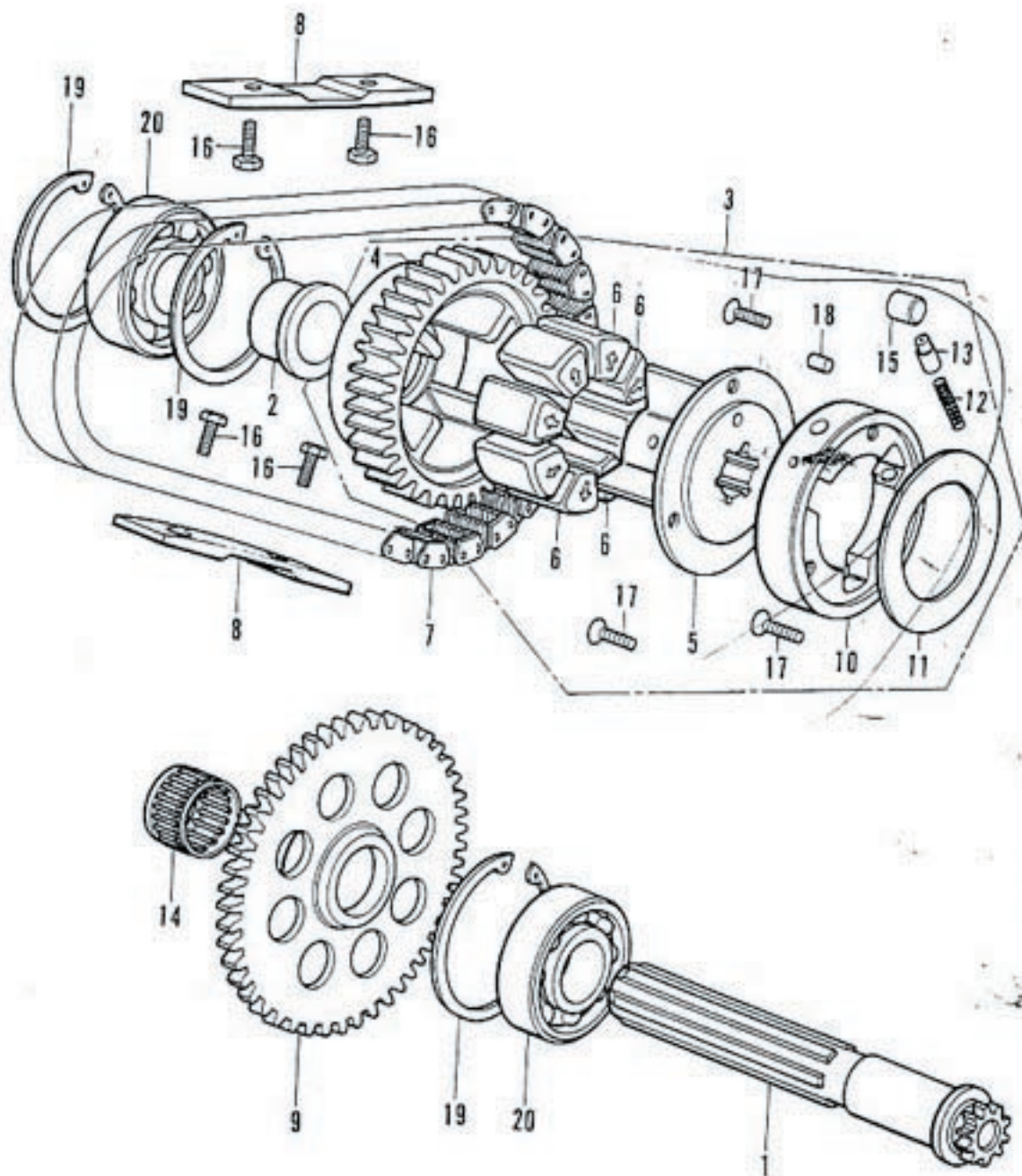
Ref. No.	Part No.	Description	Reqd. No. CB350F	Remarks
6	13314-333-003	BEARING AA, crankshaft (DAIDO)	(10)	
	13315-333-003	BEARING A, crankshaft (DAIDO)	(10)	
	13316-333-003	BEARING B, crankshaft (DAIDO)	(10)	
	13317-333-003	BEARING C, crankshaft (DAIDO)	(10)	
	13318-333-003	BEARING D, crankshaft (DAIDO)	(10)	
	13319-333-003	BEARING E, crankshaft (DAIDO)	(10)	

Selection table of crankshaft journal main bearing

Crankcase allowance		Crankshaft journal allowance					
		1	$32\phi \begin{smallmatrix} +0 \\ -0.010 \end{smallmatrix}$	2	$32\phi \begin{smallmatrix} -0.010 \\ -0.020 \end{smallmatrix}$	3	$32\phi \begin{smallmatrix} -0.020 \\ -0.030 \end{smallmatrix}$
		Bearing mark (color)	Clearance (μ)	Bearing mark (color)	Clearance (μ)	Bearing mark (color)	Clearance (μ)
A	$35\phi \begin{smallmatrix} +0.008 \\ -0 \end{smallmatrix}$	D (YELLOW)	20~46	C (GREEN)	22~48	B (BROWN)	24~50
B	$35\phi \begin{smallmatrix} +0.010 \\ +0.006 \end{smallmatrix}$	C (GREEN)	20~46	B (BROWN)	22~48	A (BLACK)	24~50
C	$35\phi \begin{smallmatrix} +0.024 \\ +0.016 \end{smallmatrix}$	B (BROWN)	20~46	A (BLACK)	22~48	AA (BLUE)	24~50

7	91201-300-003	OIL-SEAL, 30×42×8 (ARAI)	1	
8	91201-323-005	OIL-SEAL, 30×45×8 (N.O.K.)	1	

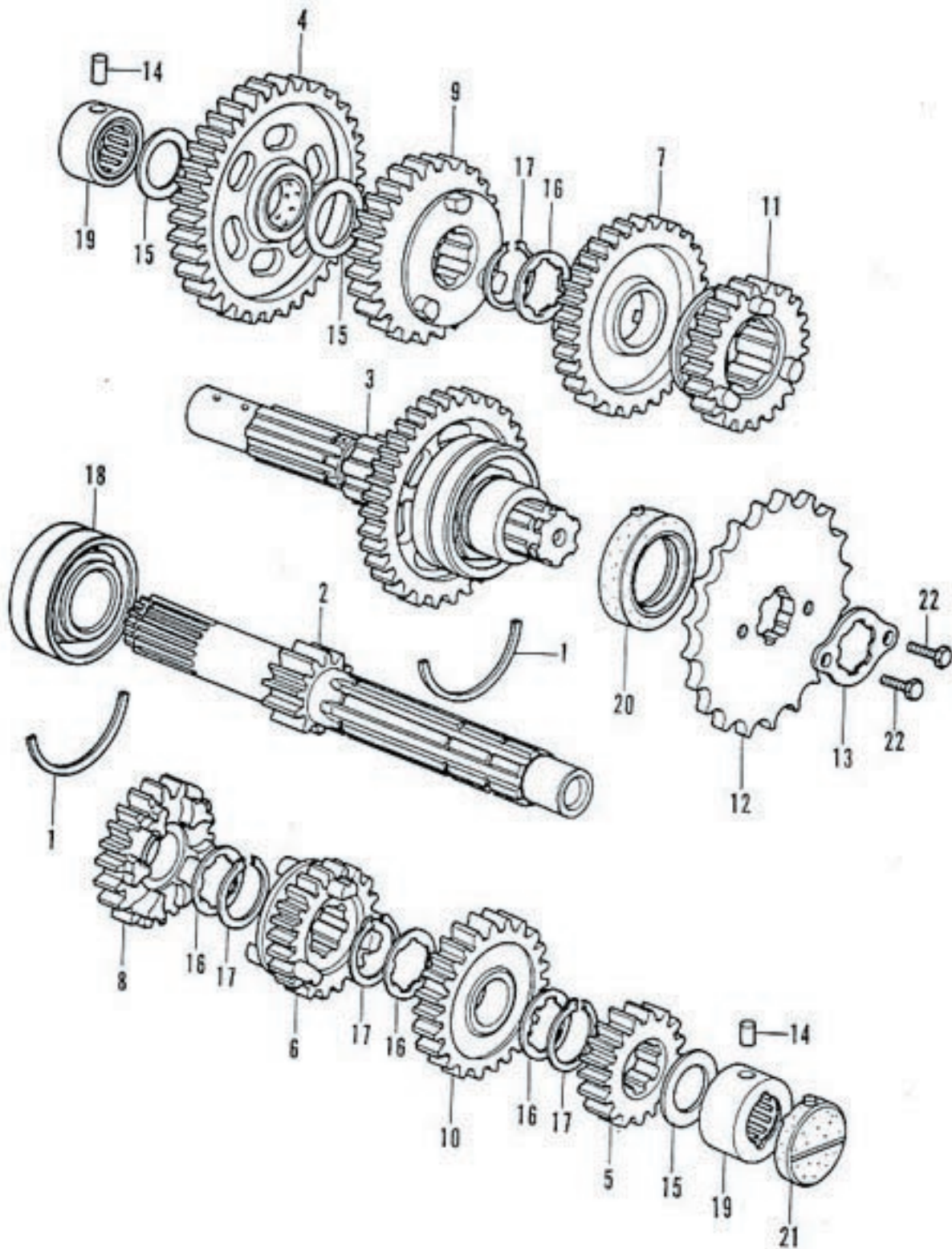
E-15 Primary Shaft - Chain



E-15 Primary Shaft · Chain

Ref. No.	Part No.	Description	Reqd. No. CB350F	Remarks
1	23101-333-030	SHAFT, primary	1	
2	23102-333-010	COLLAR, 25×21.8.....	1	
3	23110-333-000	SPROCKET COMP., primary driven	1	
4	23111-333-000	SPROCKET, primary driven	1	
5	23112-333-000	HUB, driven sprocket	1	
6	23114-323-000	RUBBER, damper	8	
7	23131-323-000	CHAIN, primary drive.....	1	
8	23132-333-010	GUIDE, primary chain.....	2	
9	28111-333-310	GEAR, starter driven	1	
10	28121-333-300	BODY, clutch outer	1	
11	28122-333-300	PLATE, outer side	1	
12	28125-253-020	SPRING, starting clutch roller	3	
13	28126-253-030	CAP, starting clutch roller spring	3	
14	91007-323-000	BEARING, needle, 25×29×17	1	
15	91101-253-020	ROLLER, 10.2×9.5	3	
16	92000-06012	BOLT, hex., 6×12.....	4	
17	93600-06014	SCREW, flat, 6×14	3	
18	94302-06100	PIN, dowel, 6×10	1	
19	94520-52000	CIR-CLIP, internal, 52 mm.....	3	
20	96100-62050	BEARING, radial ball, 6205	2	

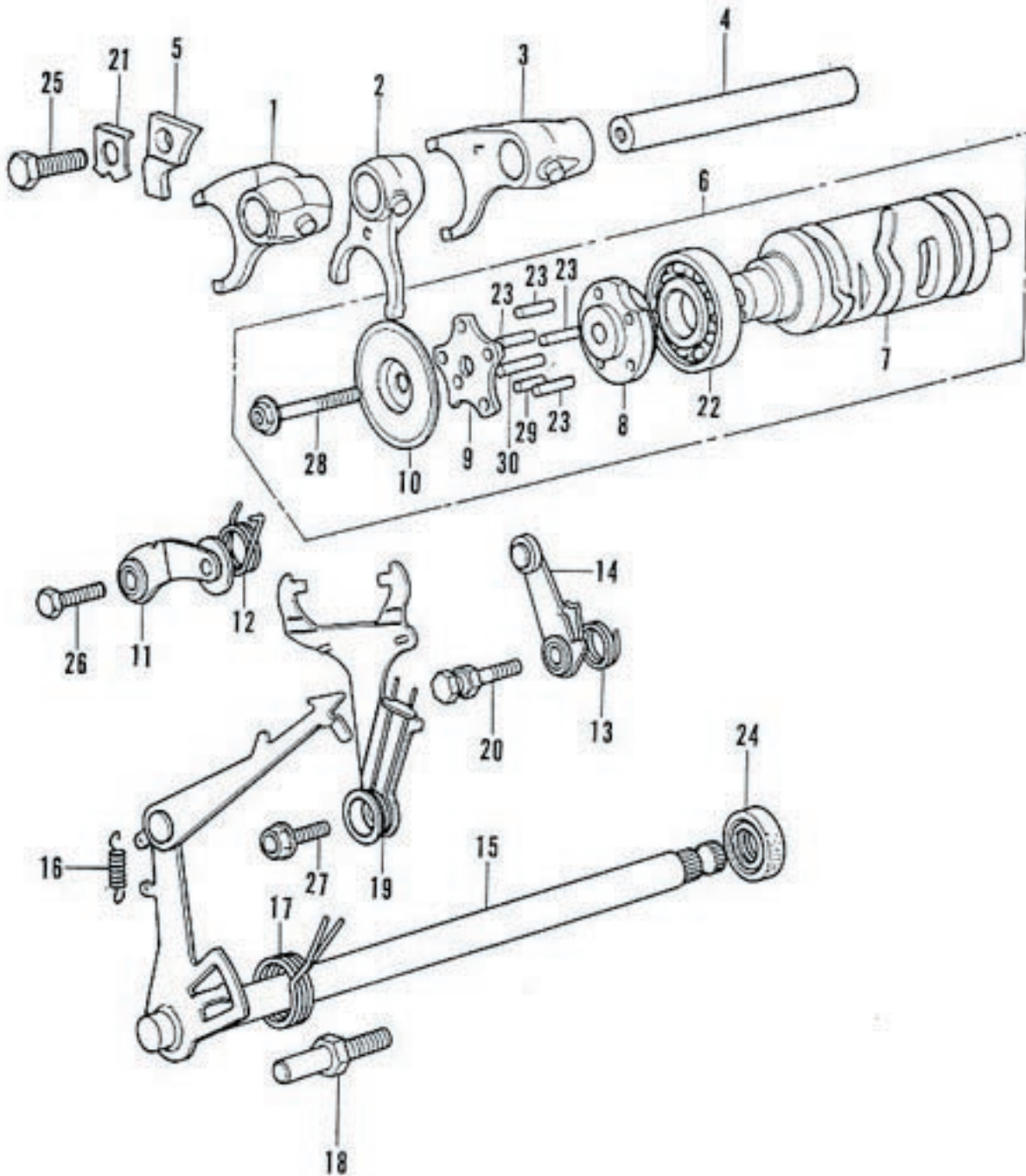
E-16 Transmission



E-16 Transmission

Ref. No.	Part No.	Description	Reqd. No. CB350F	Remarks
1	13492-283-000	RING, bearing set, 52 mm	2	
2	23211-333-030	SHAFT, main, transmission	1	
3	23220-333-010	SHAFT COMP., counter (37T).....	1	
4	23420-333-000	GEAR COMP., low, counter shaft (41T)	1	
5	23431-333-010	GEAR, second, main shaft (20T)	1	
6	23451-333-000	GEAR, third, main shaft (24T)	1	
7	23461-333-010	GEAR, third, counter shaft (34T).....	1	
8	23471-333-000	GEAR, fourth, main shaft (27T)	1	
9	23481-333-000	GEAR, fourth, counter shaft (31T)	1	
10	23491-333-020	GEAR, top, main shaft (29T).....	1	
11	23501-333-000	GEAR, top, counter shaft (28T)	1	
12	23801-333-000	SPROCKET, drive (17T).....	1	
13	23811-292-000	PLATE, drive sprocket fixing	1	
14	24261-283-000	PIN, gear shift fork guide	2	
15	90411-333-000	WASHER, thrust, 20 mm	3	
16	90451-300-000	WASHER, thrust	4	
17	90601-300-000	CIR-CLIP, 25 mm	4	
18	91002-286-008	BEARING, ball, 5205 IIS (N.T.N.)	1	
19	91022-333-018	BEARING, needle, 20 mm (N.T.N.).....	2	
20	91205-333-005	OIL-SEAL, 34×52×15.5×13.5	1	
21	91207-333-010	OIL-SEAL, 34×9	1	
22	92000-06012	BOLT, hex., 6×12.....	2	

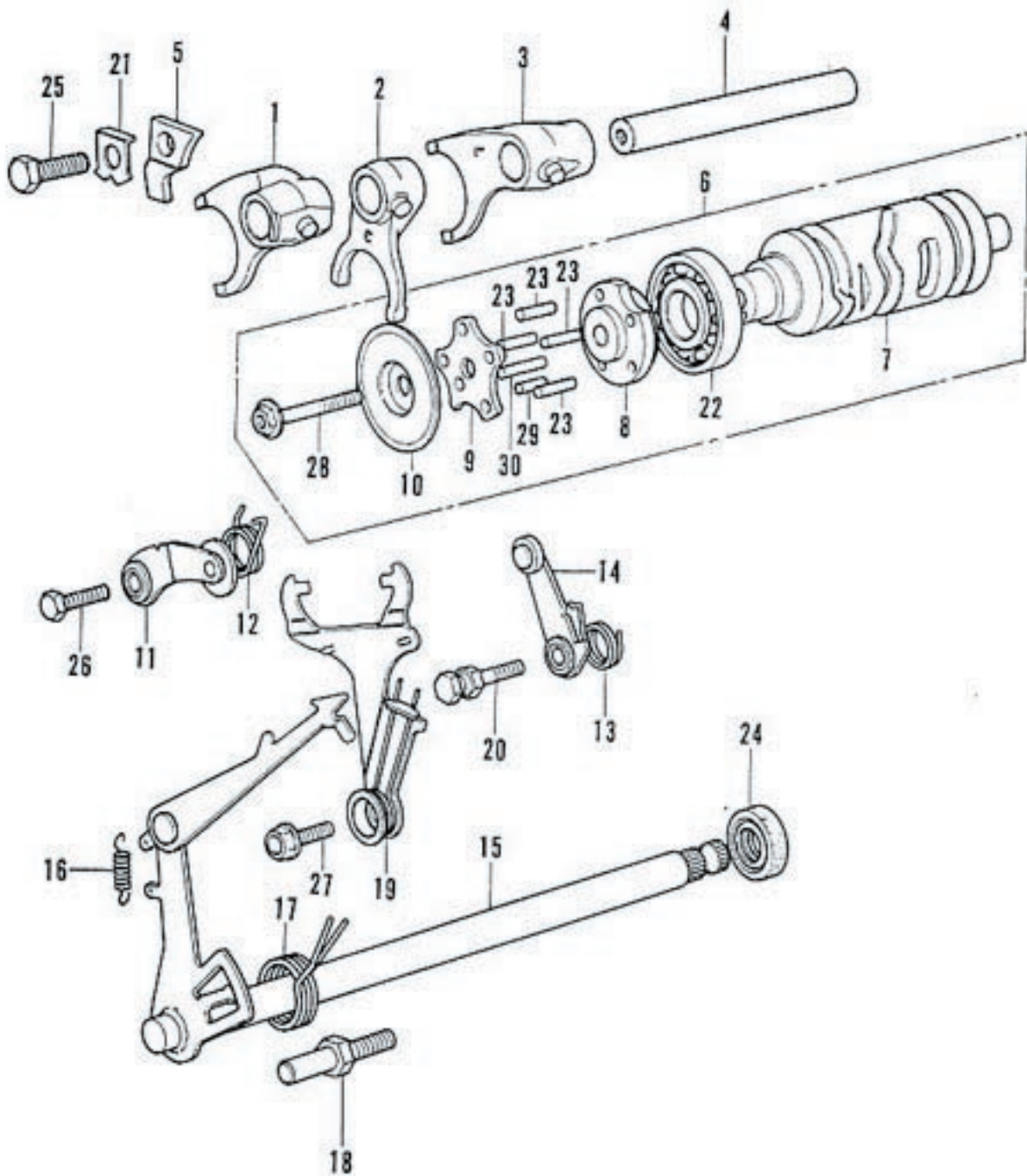
E-17 Gear Shift Drum



E-17 Gear Shift Drum

Ref. No.	Part No.	Description	Reqd. No. CB350F	Remarks
1	24211-333-020	FORK, right gear shift.....	1	
2	24216-333-020	FORK, center gear shift	1	
3	24221-333-020	FORK, left gear shift	1	
4	24226-333-020	SHAFT, shift fork guide.....	1	
5	24231-333-010	PLATE, guide shaft set	1	
6	24300-333-000	DRUM ASSY., gear shift	1	
7	24301-333-010	DRUM, gear shift	1	
8	24304-333-030	CENTER, gear shift drum	1	
9	24321-333-010	PLATE, drum stopper	1	
10	24326-300-000	PLATE, gear shift side	1	
11	24430-333-000	STOPPER COMP., gear shift drum	1	
12	24435-333-000	SPRING, shift drum stopper	1	
13	24436-333-010	SPRING, neutral stopper.....	1	
14	24440-333-000	ARM COMP., neutral stopper	1	
15	24610-333-010	SPINDLE COMP., gear shift.....	1	
16	24641-333-000	SPRING, gear shift arm	1	
17	24651-333-000	SPRING, gear shift return	1	
18	24652-035-000	PIN, shift return spring	1	
19	24660-333-020	STOPPER COMP., positive	1	
20	24667-333-020	PIN, return spring, 6 mm	1	

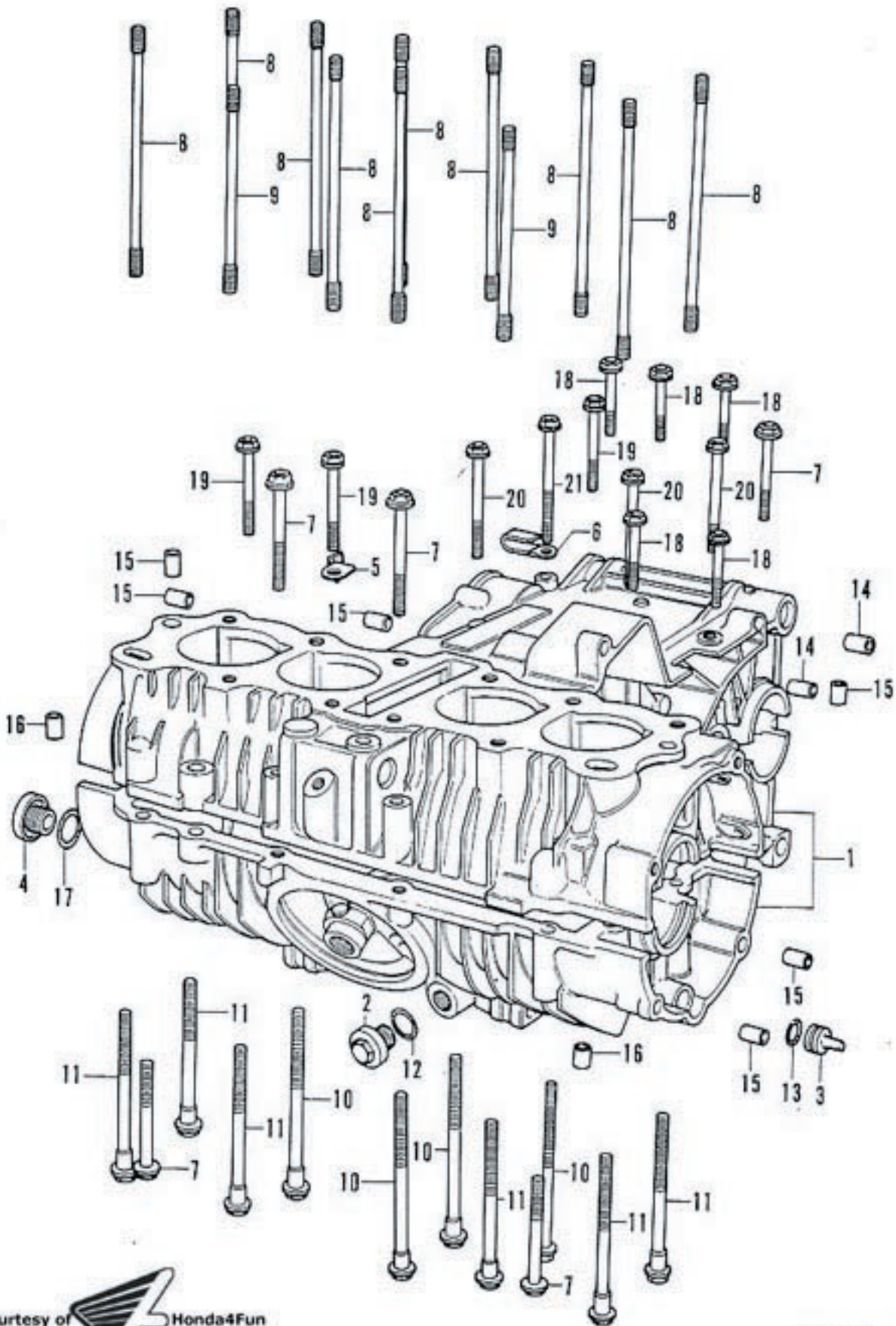
E-17 Gear Shift Drum



E-17 Gear Shift Drum

Ref. No.	Part No.	Description	Reqd. No. CB350F	Remarks
21	90435-333-000	WASHER, tongued, 8 mm	1	
22	91001-235-300	BEARING, ball, 16004	1	
23	91101-333-000	ROLLER, 4x16.8	4	
24	91206-286-005	OIL-SEAL, 14x28x7 (N.O.K.)	1	
	91206-286-013	OIL-SEAL, 14x28x7 (ARAI)	1	
25	92000-08020-0A	BOLT, hex., 8x20	1	
26	92100-06020	BOLT, hex., 6x20	1	
27	95700-06016	BOLT, flange, 6x16	1	
28	95700-06032	BOLT, flange, 6x32	1	
29	96220-40118	ROLLER, 4x11.8	1	
30	96220-40218	ROLLER, 4x21.8	1	

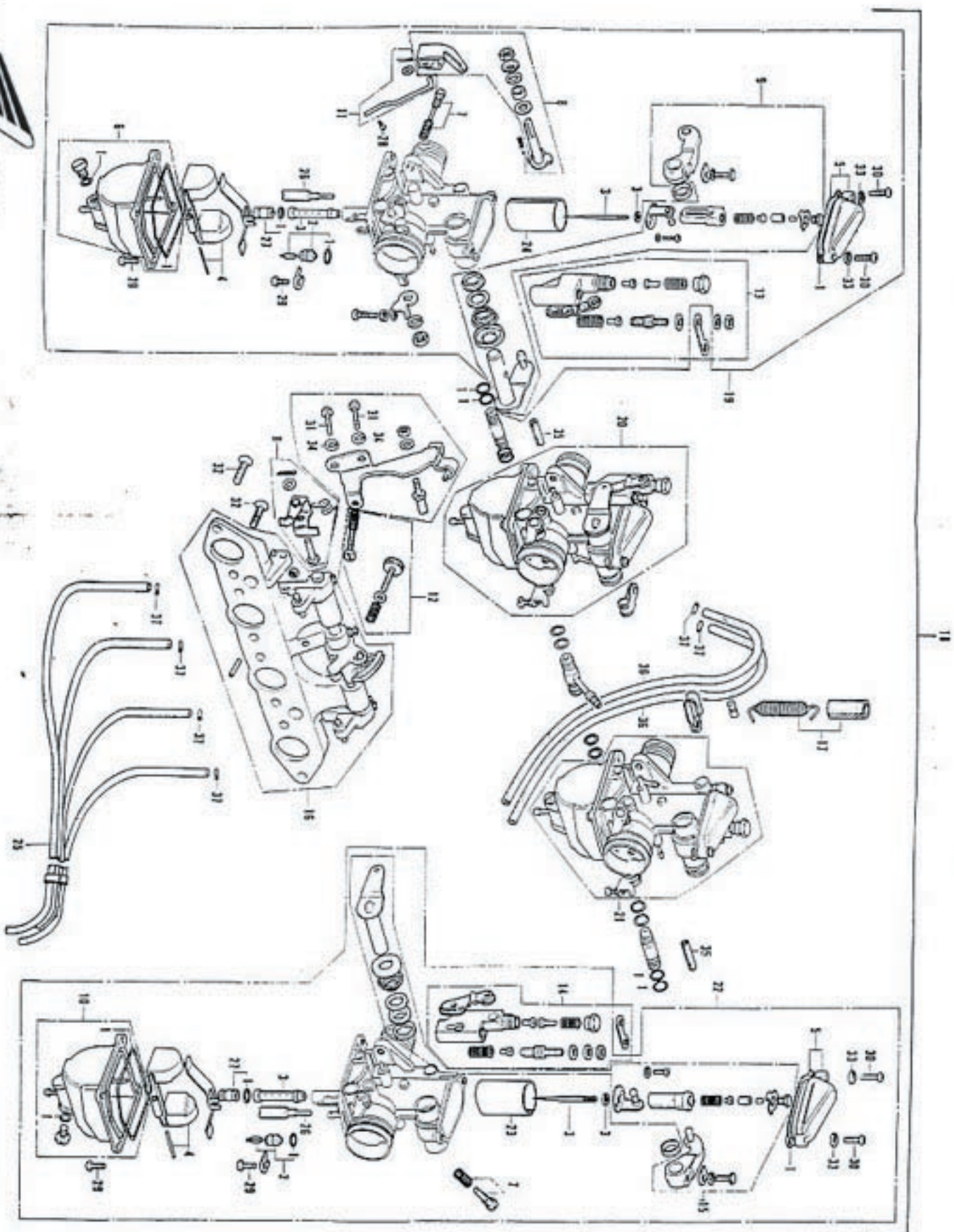
E-18 Crankcase



E-18 Crankcase

Ref. No.	Part No.	Description	Recd. No. CB350F	Remarks
1	11000-333-305	CRANKCASE ASSY.	1	
2	11208-333-000	CAP, oil path	1	
3	11291-333-000	PLUG, oil path	1	
4	15331-300-000	CAP, oil path	1	
5	32111-333-000	CRAMPER A, cord	1	
6	32112-333-000	CRAMPER B, cord	1	
7	90017-333-000	BOLT, flange, 8×60	5	
8	90031-333-000	STUD A, cylinder, 8×154	10	
9	90032-333-000	STUD B, cylinder, 8×122	2	
10	90082-333-000	BOLT, U.B.S., 8×115	4	
11	90086-333-000	BOLT, U.B.S., 8×97	6	
12	91314-220-000	O-RING, 16.4×2.4	1	
13	91319-300-000	O-RING, 13×2.5	1	
14	94301-08100	PIN, dowel, 8×10	2	
15	94301-08140	PIN, dowel, 8×14	6	
16	94301-10140	PIN, dowel, 10×14	2	
17	94608-40000	O-RING, 19.4×2.8	1	
18	95700-06040	BOLT, flange, 6×40	5	
19	95700-06060	BOLT, flange, 6×60	3	
20	95700-06090	BOLT, flange, 6×90	3	
21	95700-06100	BOLT, flange, 6×100	1	

E-19 Carburetor (KEIHIN)



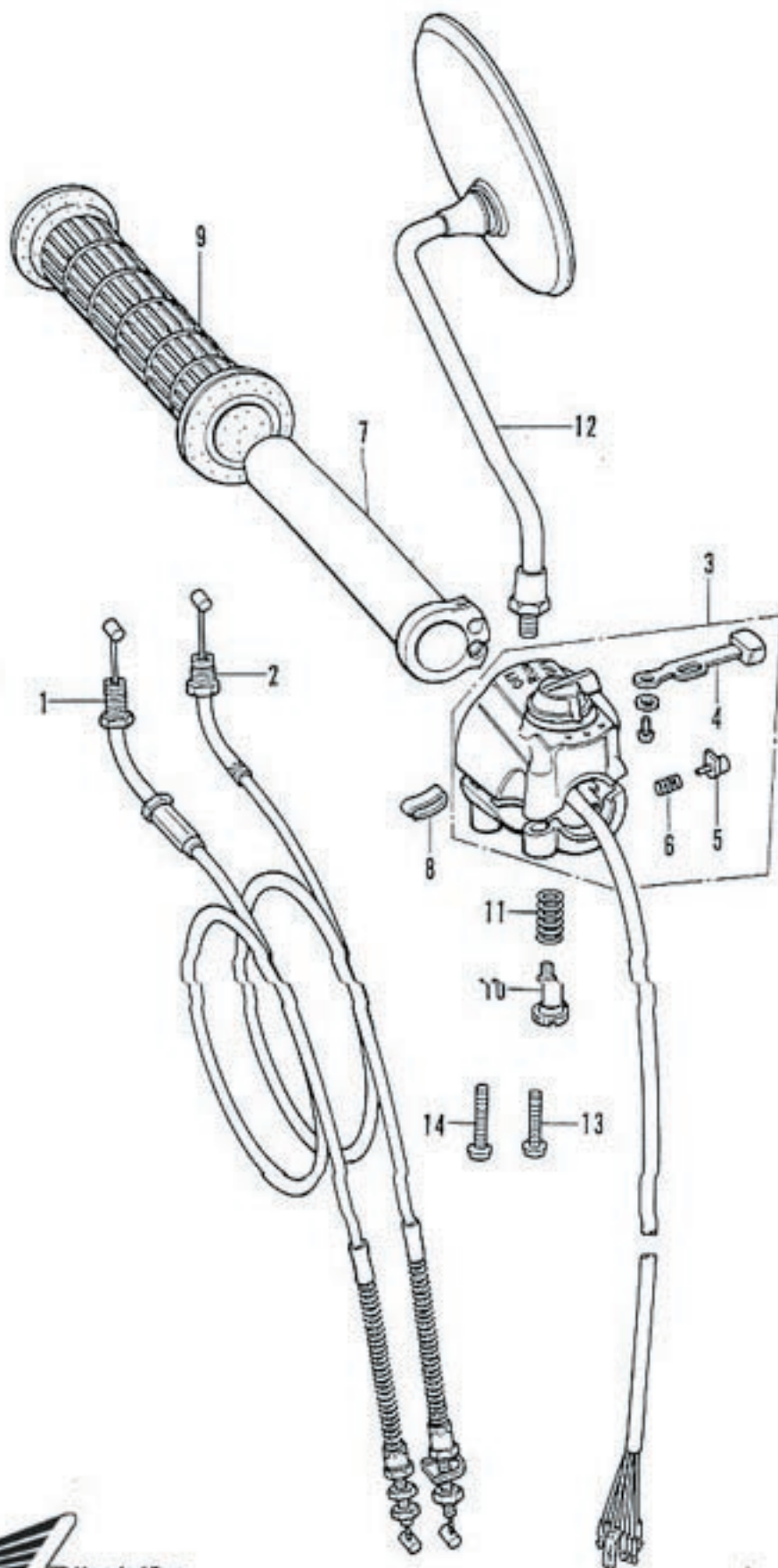
E-19 Carburetor (KEIHIN)

Ref. No.	Part No.	Description	Reqd. No. CB350F	Remarks
1	16010-333-004	PACKING-SET	4	
2	16011-329-004	VALVE-SET, float	4	
3	16012-333-004	NEEDLE-SET, jet.....	4	
4	16013-333-004	FLOAT-SET	4	
5	16014-333-004	TOP-SET	4	
6	16015-333-004	CHAMBER-SET A, float	2	
7	16016-333-004	SCREW-SET A	4	
8	16017-333-004	LINK-SET	1	
9	16018-333-004	ARM-SET A, link.....	2	
10	16023-333-004	CHAMBER-SET B, float	2	
11	16025-333-004	ROD-SET, choke	1	
12	16028-333-004	SCREW-SET B	1	
13	16029-323-004	HOLDER-SET A, adjust.....	2	
14	16030-323-004	HOLDER-SET B, adjust.....	2	
15	16031-333-004	ARM-SET B, link.....	2	
16	16035-333-004	PLATE-SET, stay	1	
17	16036-323-004	TUBE-SET, protector	1	
18	16100-333-004	CARBURETOR ASSY.	1	
19	16101-333-004	CARBURETOR ASSY., A.....	1	
20	16102-333-004	CARBURETOR ASSY., B	1	
21	16103-333-004	CARBURETOR ASSY., C	1	
22	16104-333-004	CARBURETOR ASSY., D	1	
23	16111-333-004	VALVE A, throttle	2	
24	16112-333-004	VALVE B, throttle	2	
25	16290-333-000	TUBE ASSY., carburetor over flow	1	

E-19 Carburetor (KEIHIN)

Ref. No.	Part No.	Description	Reqd. No. CB350F	Remarks
26	99124-076-0350	JET, slow (STD. #35)	4	
	99124-076-0380	JET, slow (#38)	(4)	
27	99202-601-0680	JET-SET, main (#68)	(4)	
	99202-601-0700	JET-SET, main (#70)	(4)	
	99202-601-0720	JET-SET, main (#72)	(4)	
	99202-601-0750	JET-SET, main (STD. #75)	4	
	99202-601-0780	JET-SET, main (#78)	(4)	
	99202-601-0800	JET-SET, main (#80)	(4)	
28	93500-03006-0A	SCREW, pan, 3x6	1	
29	93500-04010-0A	SCREW, pan, 4x10	20	
30	93500-05016-0A	SCREW, pan, 5x16	8	
31	93500-06016	SCREW, pan, 6x16	2	
32	93600-06016	SCREW, flat, 6x16	8	
33	94111-05000	WASHER, spring, 5 mm	8	
34	94111-06000	WASHER, spring, 6 mm	2	
35	16199-333-004	TUBE, air vent, 2.5x16	2	
36	95001-35600-40	TUBE, fuel, 3.5x600.....	2	
37	95002-02070	TUBE, clip, B7	6	

F-1 R/H Handle Switch · Cable

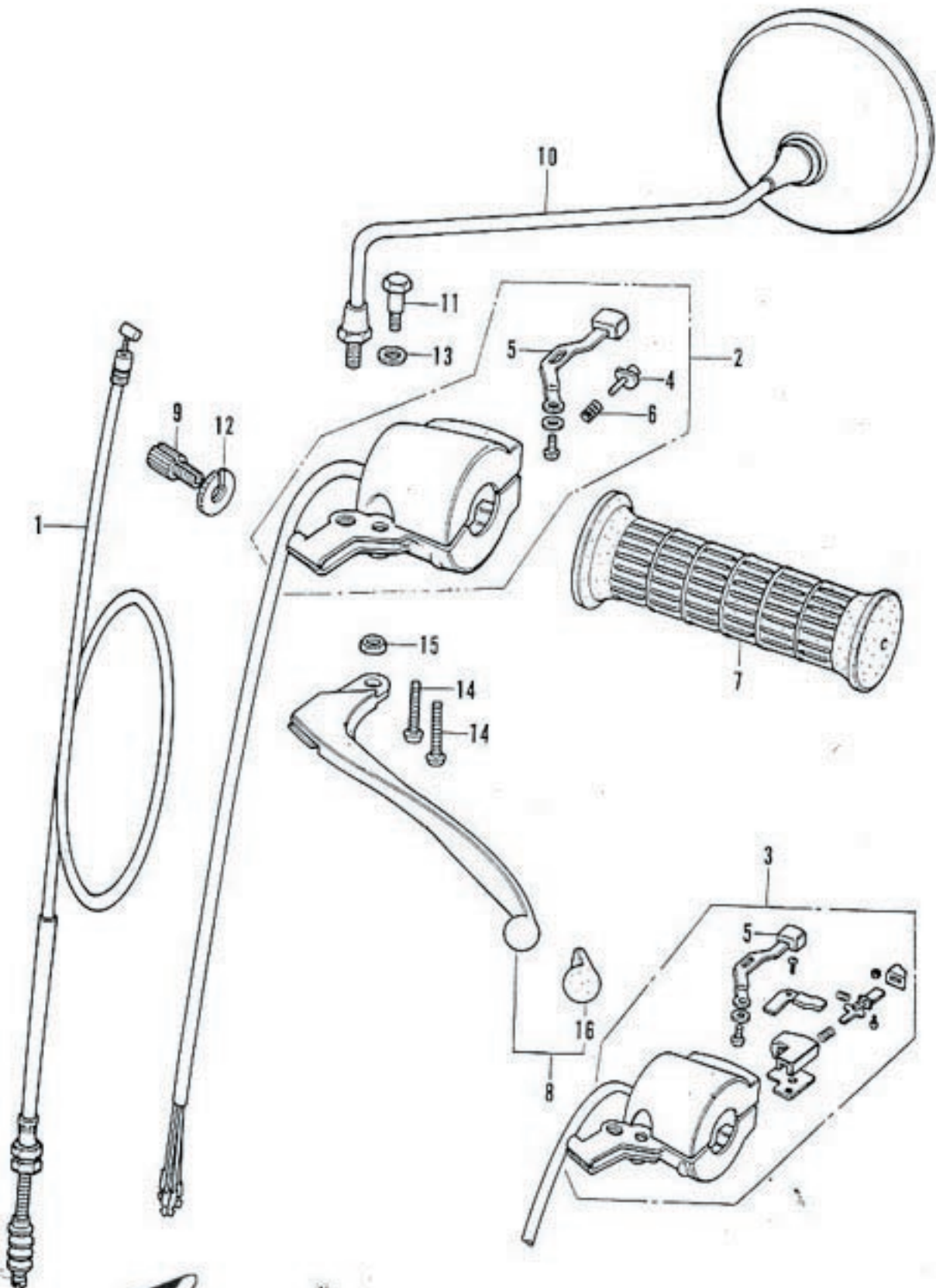


F-1 R/H Handle Switch - Cable

Ref. No.	Part No.	Description	Reqd. No. CB350F	Remarks
1	17910-333-000	CABLE COMP. A, throttle.....	1	
○	17910-333-610	CABLE COMP. A, throttle (Used in G & F)	1	
2	17920-333-000	CABLE COMP. B, throttle.....	1	
	17920-333-610	CABLE COMP. B, throttle (Used in G & F)	1	
○ 3	35300-333-610	SWITCH ASSY., starter dimmer kill	1	
	35300-333-671	SWITCH ASSY., starter dimmer kill (Used in A & D)	1	
4	35315-235-000	KNOB, lighting switch.....	1	
5	35317-001-310	BUTTON, horn push	1	
6	35318-259-000	SPRING, horn button	1	
7	53141-300-010	PIPE, throttle grip.....	1	
8	53163-300-020	ADJUSTER, throttle grip	1	
9	53165-342-670	RUBBER, right grip.....	1	
10	53190-300-000	BOLT, throttle grip adjust	1	
11	53191-300-000	SPRING, throttle adjuster	1	
12	88100-333-004	MIRROR, right back (MATSUYAMA)	1	
○	88100-333-610	MIRROR, right back (Used in G & ED)	1	
○	88110-304-621	MIRROR ASSY., right back (Used in F)	1	
13	93500-05025-0A	SCREW, pan, 5×25	1	
14	93500-05032-0A	SCREW, pan, 5×32	1	

FRAME GROUP

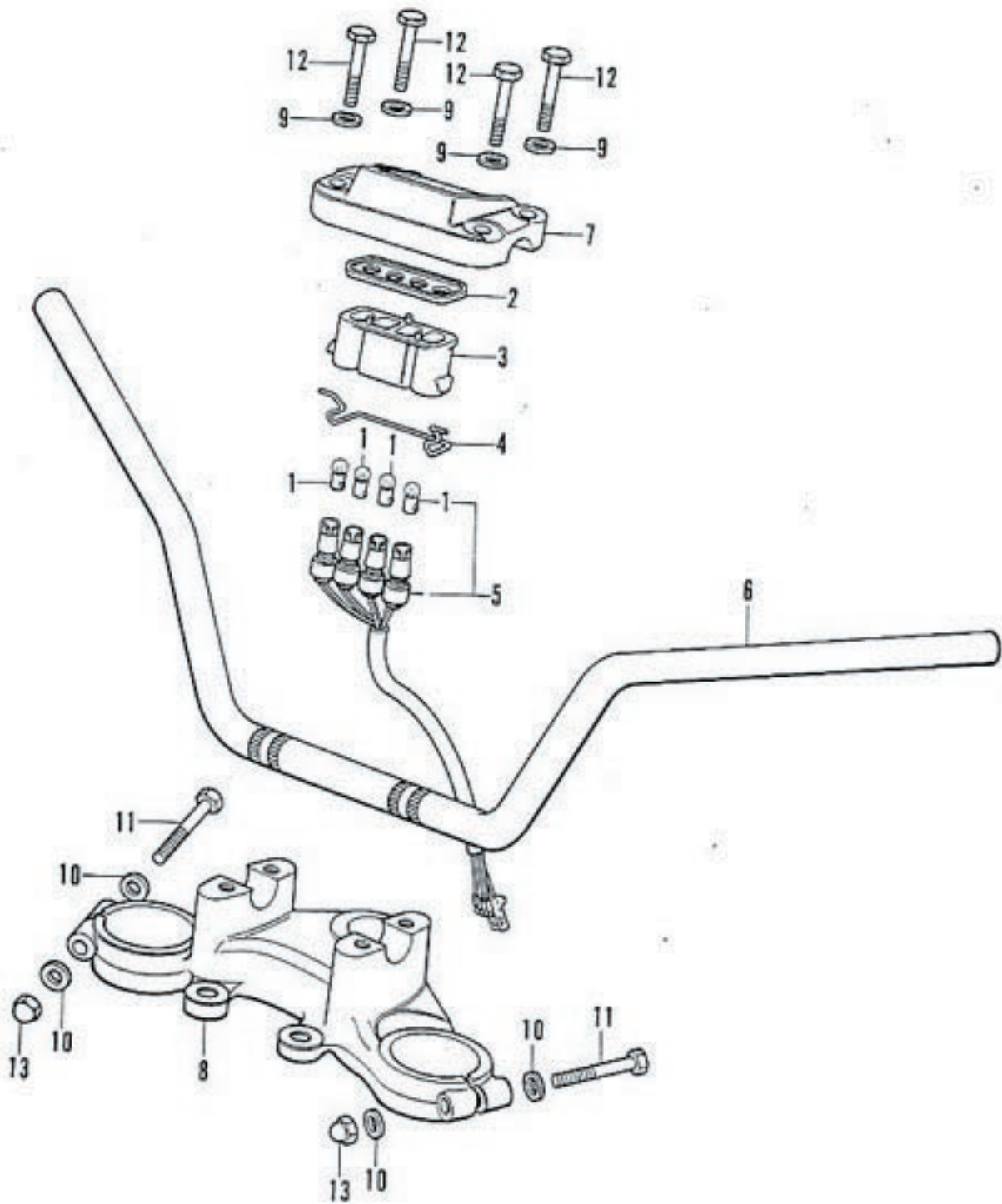
F-2 L/H Handle Switch - Cable



F-2 L/H Handle Switch - Cable

Ref. No.	Part No.	Description	Reqd. No. CB350F	Remarks
† 1	22870-333-000	CABLE COMP., clutch	1	
○	22870-333-610	CABLE COMP., clutch (Used in G & F).....	1	
2	35250-300-033	SWITCH ASSY., winker horn (T.E.C.) (Used in A)	1	
3	35250-323-013	SWITCH ASSY., winker horn passing (T.E.C.) ...	1	
4	35317-001-310	BUTTON, horn push (Used in A)	1	
5	35317-310-810	KNOB, horn switch	1	
6	35318-259-000	SPRING, horn push (Used in A).....	1	
7	53166-342-670	RUBBER, left grip	1	
8	53190-286-670	LEVER COMP., left steering handle	1	
9	53192-268-000	BOLT, clutch wire adjust	1	
○10	88120-304-621	MIRROR ASSY., left back (Used in F).....	1	
	88120-333-004	MIRROR, left back (MATSUYAMA).....	1	
○	88120-333-610	MIRROR, left back (Used in G & ED)	1	
11	90114-310-000	BOLT, handle lever pivot	1	
12	90321-315-670	NUT, fixing	1	
13	90501-310-000	WASHER, 7×12	1	
14	93500-05025-0A	SCREW, pan, 5×25	2	
15	94001-06000	NUT, hex, 6 mm	1	
16	95010-16000	CAP A, control lever	1	

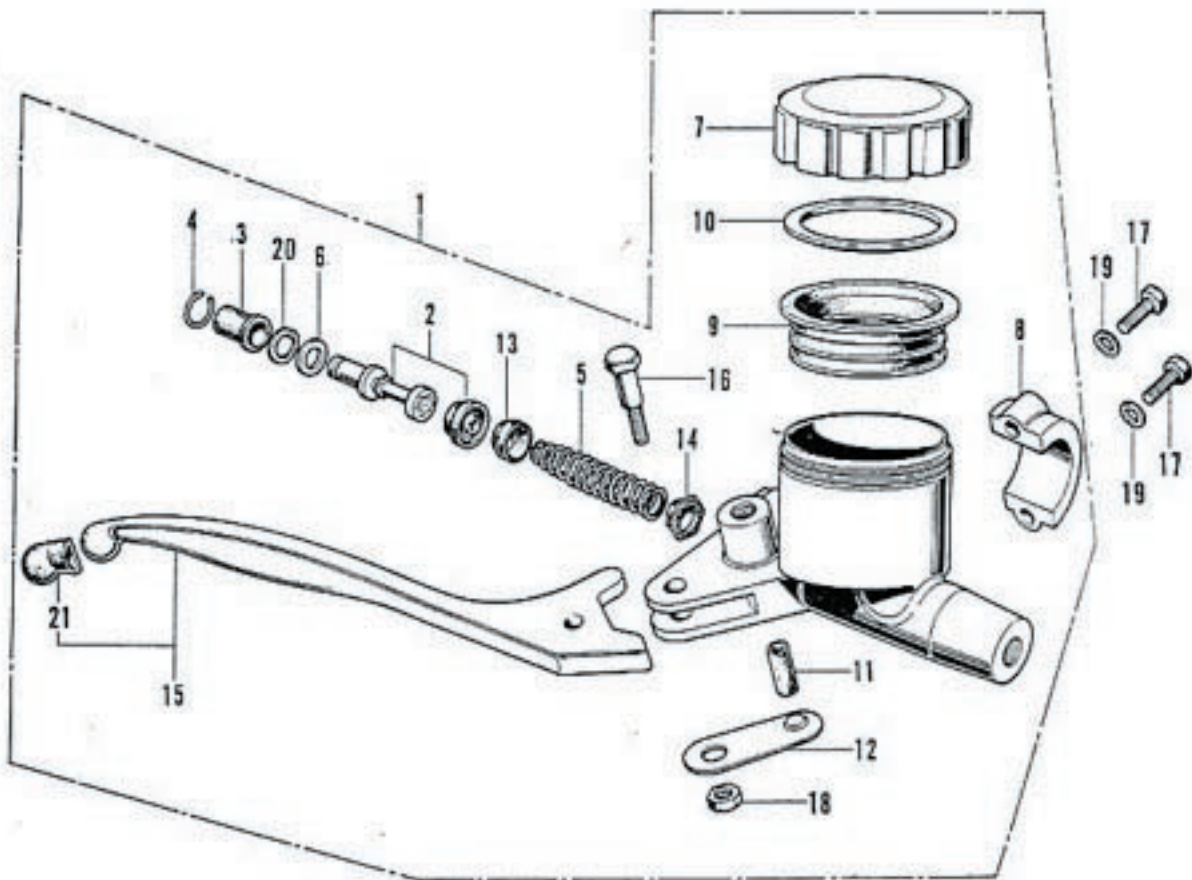
F-3 Handle · Top Bridge



F-3 Handle - Top Bridge

Ref. No.	Part No.	Description	Reqd. No. CB350F	Remarks
1	34902-259-000	BULB, dash (12V 3W).....	4	
2	37576-323-000	BASE, lamp socket	1	
3	37577-333-000	SOCKET, pilot lamp.....	1	
4	37579-323-000	SPRING, lamp socket set	1	
5	37581-333-000	CORD COMP., pilot lamp	1	
6	53100-333-000	PIPE, steering handle	1	
O	53100-333-611	PIPE, steering handle (Used in G & F).....	1	
7	53133-323-010	HOLDER, upper	1	
8	53231-333-000	BRIDGE, fork top.....	1	
9	90518-921-000	WASHER, plain, 8 mm	4	
10	90555-283-000	WASHER, special, 8 mm.....	4	
11	92000-08056-0B	BOLT, hex., 8x56.....	2	
12	93000-08036-0B	BOLT, hex., 8x36.....	4	
13	94021-08020-0S	NUT, hex., cap, 8 mm	2	

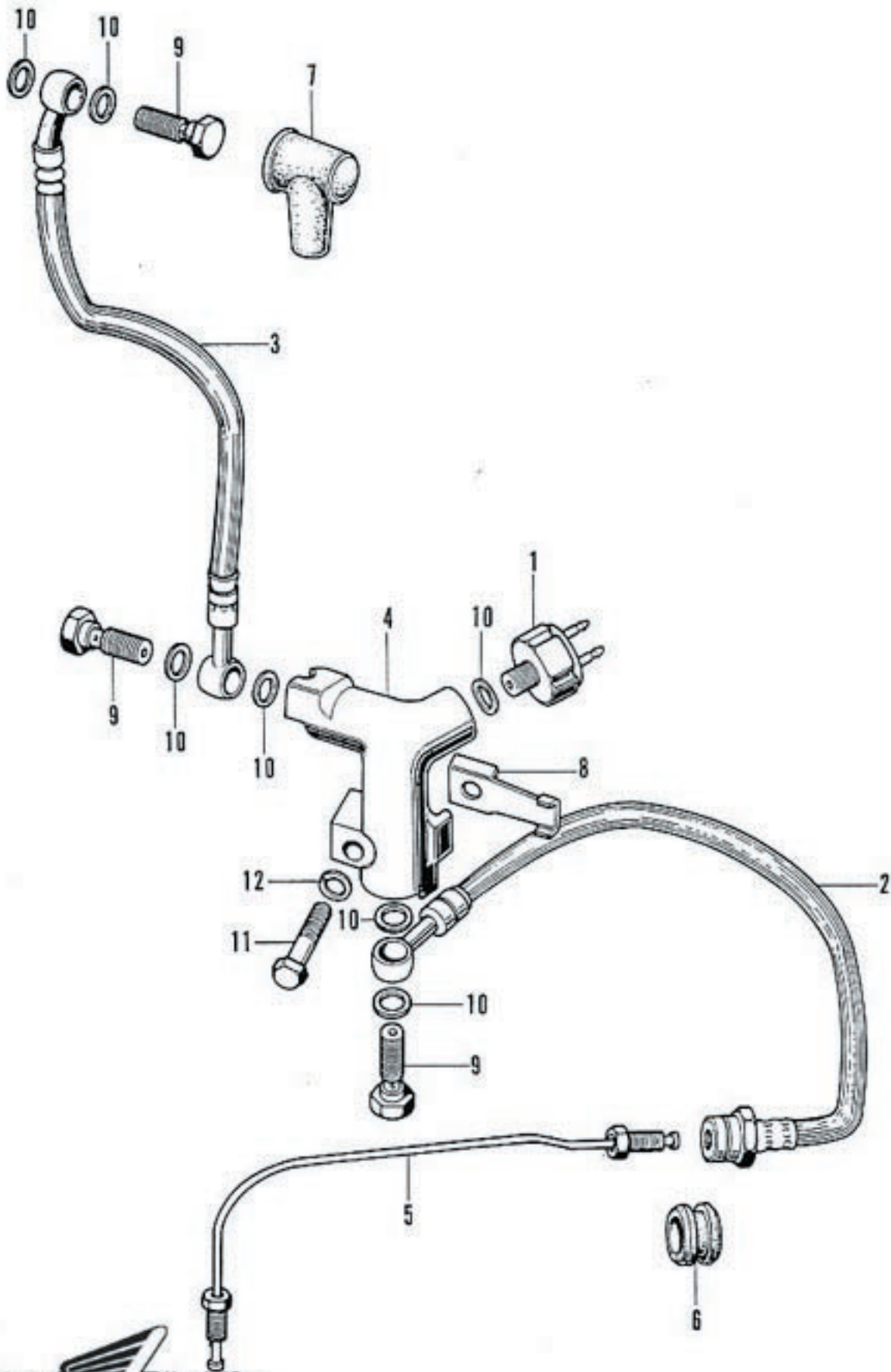
F-4 Brake Master Cylinder



F-4 Brake Master Cylinder

Ref. No.	Part No.	Description	Reqd. No. CB350F	Remarks
1	45500-333-670	CYLINDER ASSY., master (Used in A)	1	
O	45500-346-620	CYLINDER ASSY., master (Used in F & ED) ...	1	
	45500-346-680	CYLINDER ASSY., master	1	
2	45502-300-305	PISTON COMP.	1	
3	45504-300-003	BOOTS	1	
4	45505-300-003	STOPPER, boots	1	
5	45506-200-003	SPRING COMP.....	1	
6	45512-300-003	WASHER, 10.5 mm	1	
7	45513-341-770	CAP, oil cup (Used in A)	1	
	45513-341-671	CAP, oil cup	1	
8	45517-300-003	HOLDER, master cylinder	1	
9	45520-300-000	DIAPHRAGM.....	1	
10	45521-300-010	PLATE, diaphragm	1	
11	45526-341-000	BUSH, right handle lever	1	
12	45527-300-000	PLATE, lever bush set	1	
13	46125-533-003	CUP, primary	1	
14	46140-533-003	VALVE COMP., check	1	
15	53170-333-000	LEVER ASSY., right handle	1	
16	90114-300-000	BOLT, handle lever pivot	1	
17	92000-06025	BOLT, hex., 6x25.....	2	
18	94001-06000	NUT, hex., 6 mm	1	
19	94101-06000	WASHER, plain, 6 mm	2	
20	94520-18000	CIR-CLIP, internal, 18 mm.....	1	
21	95010-16000	CAP A, control lever	1	

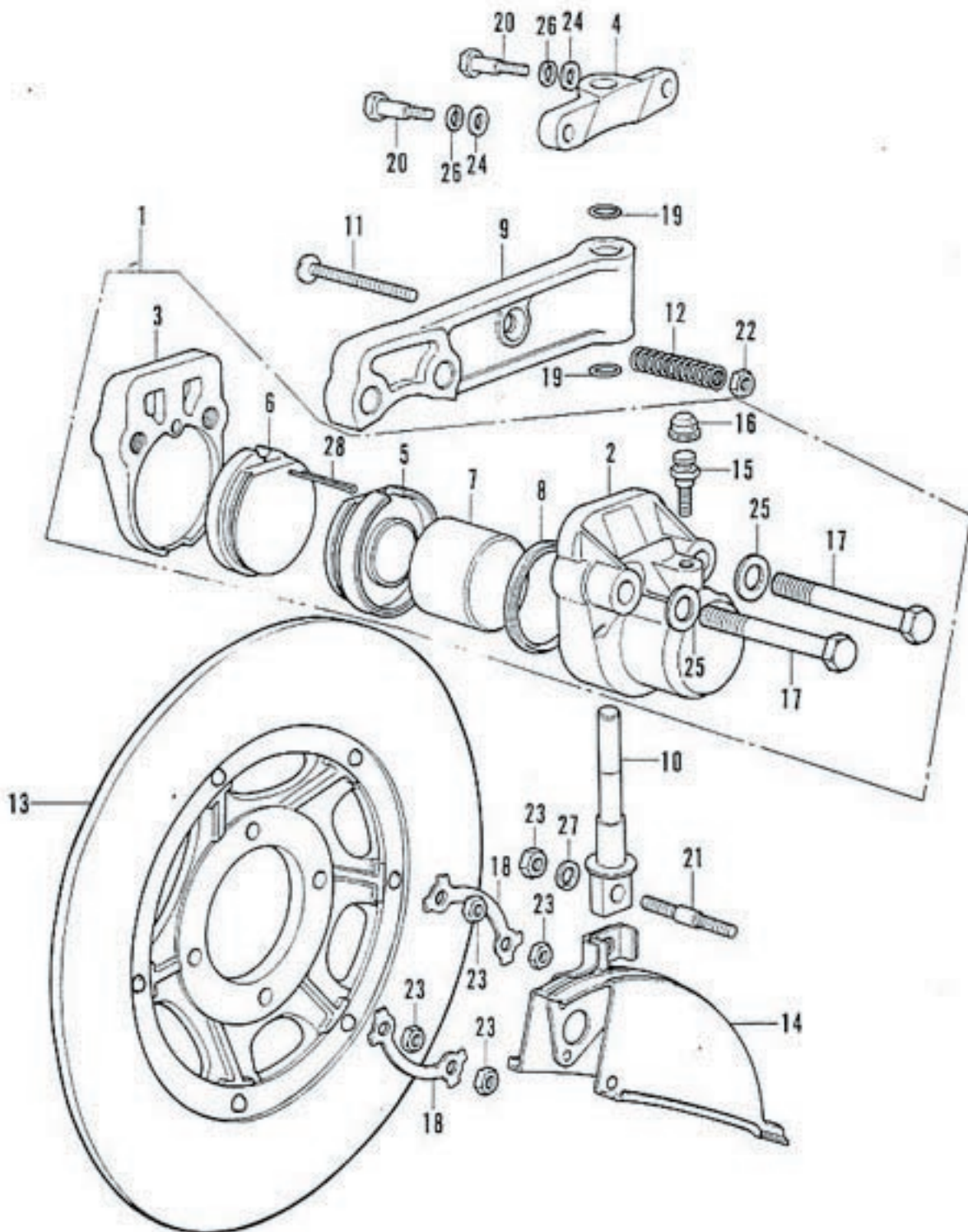
F-5 Front Brake Hose



F-5 Front Brake Hose

Ref. No.	Part No.	Description	Reqd. No. CB350F	Remarks
1	35350-300-006	(Superseded by 35350-300-016)	1	
O	35350-300-016	SWITCH, stop (NAILS)	1	
2	45125-300-020	HOSE A, front brake	1	
O 3	45126-300-611	HOSE B, front brake (Used in G & F).....	1	
	45126-333-000	HOSE B, front brake	1	
4	45127-323-000	JOINT, 3 way.....	1	
5	45128-317-701	PIPE, front brake	1	
6	45146-300-000	GROMMET, brake	1	
7	45522-300-010	BOOTS, master cylinder	1	
8	53208-317-700	HOLDER, 3 way joint	1	
9	90145-300-000	BOLT, oil.....	3	
10	90545-300-000	WASHER, oil bolt.....	7	
11	92000-06028	BOLT, hex., 6x28.....	1	
12	94111-06000	WASHER, spring, 6 mm	1	

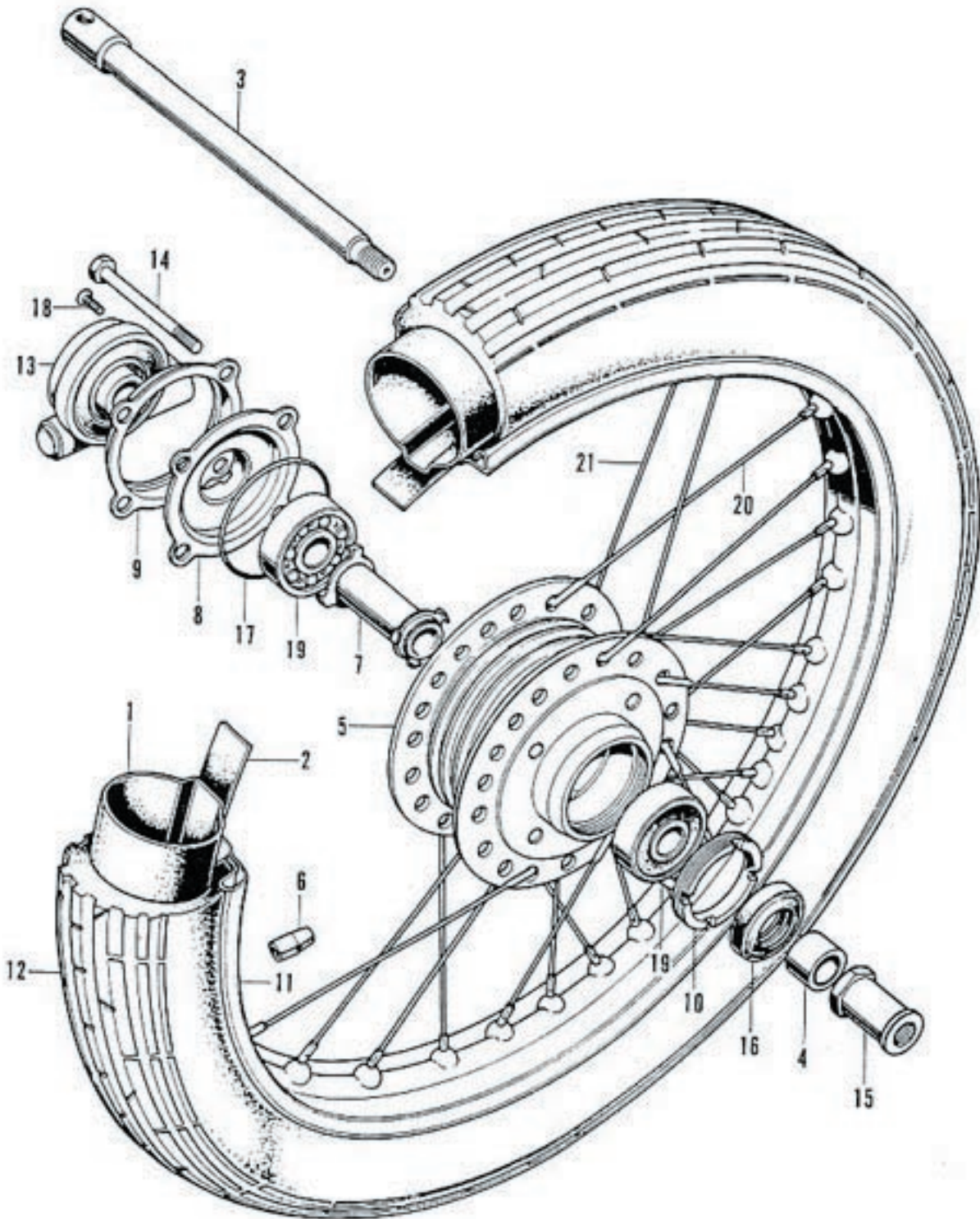
F-6 Front Brake Caliper - Disk



F-6 Front Brake Caliper - Disk

Ref. No.	Part No.	Description	Reqd. No. CB350F	Remarks
1	45100-323-043	CALIPER ASSY. (TOKIKO).....	1	
2	45101-323-013	CALIPER A	1	
3	45102-323-003	CALIPER B.....	1	
4	45104-317-700	JOINT, caliper holder	1	
5	45105-323-036	PAD COMP. A	1	
6	45106-323-006	(Superseded by 45106-323-013)	1	
	45106-323-013	PAD COMP. B (TOKIKO)	1	
7	45107-323-020	PISTON COMP.	1	
8	45108-300-003	SEAL, piston	1	
9	45115-323-010	HOLDER, caliper	1	
10	45116-323-010	(Superseded by 45116-323-020)	1	
O	45116-323-020	PIN, caliper holder	1	
11	45117-300-020	BOLT, caliper adjust.....	1	
12	45119-333-000	SPRING, caliper adjust	1	
13	45120-317-701	DISK COMP., front brake	1	
14	45140-333-000	COVER COMP., disk	1	
15	45224-579-013	VALVE, bleeder.....	1	
16	45225-579-013	CAP, bleeder	1	
17	90165-323-000	BOLT, caliper setting	2	
18	90522-317-700	WASHER, tongued, 8 mm	2	
19	91259-333-000	O-RING, 9.5×1.7	2	
20	92300-06028	BOLT, hex., 6×28.....	2	
21	92700-08045	BOLT, stud, 8×45.....	1	
22	94001-06000	NUT, hex., 6 mm	1	
23	94001-08000-0S	NUT, hex., 8 mm	5	
24	94101-06000	WASHER, plain, 6 mm	2	
25	94102-10000	WASHER, plain, 10 mm	2	
26	94111-06000	WASHER, spring, 6 mm	2	
27	94111-08000	WASHER, spring, 8 mm	1	
28	94201-16220	PIN, split, 1.6×22	1	

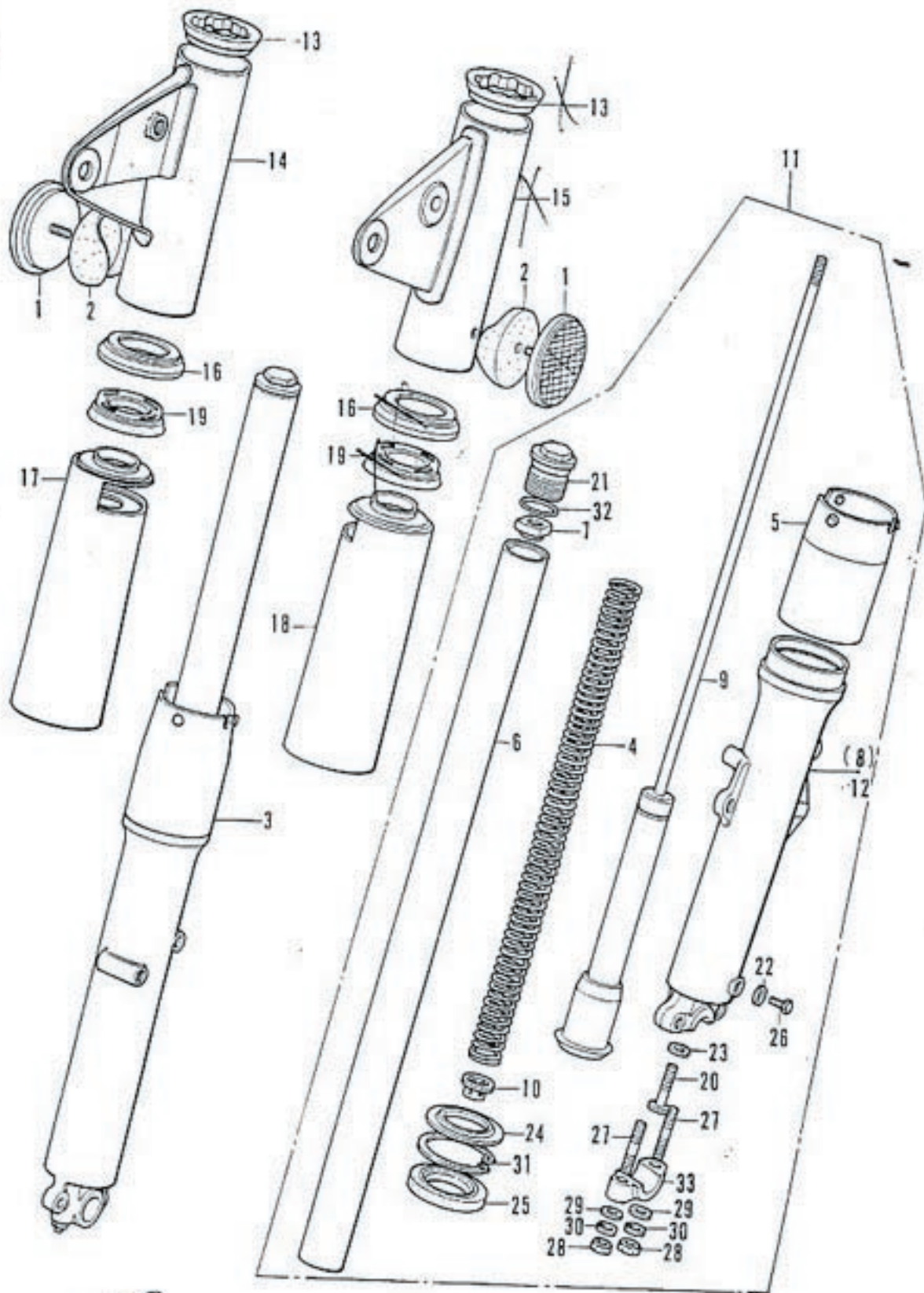
F-7 Front Wheel



F-7 Front Wheel

Ref. No.	Part No.	Description	Reqd. No. CB350F	Remarks
1	42712-268-000	TUBE, rear wheel (3.00-18)	1	
2	42713-268-000	FLAP, rear tire (18")	1	
3	44301-312-000	AXLE, front wheel	1	
4	44311-300-000	COLLAR, wheel side	1	
5	44601-317-702	HUB, front wheel	1	
6	44606-283-000	BALANCER, wheel (20g)	(0-3)	
	44607-283-000	BALANCER, wheel (15g)	(0-3)	
	44608-283-000	BALANCER, wheel (10g)	(0-3)	
	44609-283-000	BALANCER, wheel (5g)	(0-3)	
7	44620-317-701	COLLAR, front axle distance.....	1	
8	44641-333-000	RETAINER COMP., gear box	1	
9	44642-317-701	COVER, gear box retainer.....	1	
10	44643-300-000	RETAINER, front wheel bearing.....	1	
11	44701-317-701	RIM, front wheel (18").....	1	
12	44711-333-003	TIRE, front wheel (3.00-18) (BRIDGESTON)	1	
13	44800-317-700	GEAR BOX, speedometer	1	
14	90122-317-702	BOLT, 8x90	4	
15	90305-333-000	NUT, front wheel axle.....	1	
16	91252-300-003	DUST-SEAL, 22x36x8	1	
17	91302-317-700	O-RING, retainer	1	
18	93700-05016-0A	SCREW, oval, 5x16.....	1	
19	96140-63020-10	BEARING, radial ball, 6302U	2	
20	97311-69233-10	SPOKE, BS 8x196.5 (Inside).....	18	
21	97716-69232-10	SPOKE, BS 8x196 (Outside).....	18	

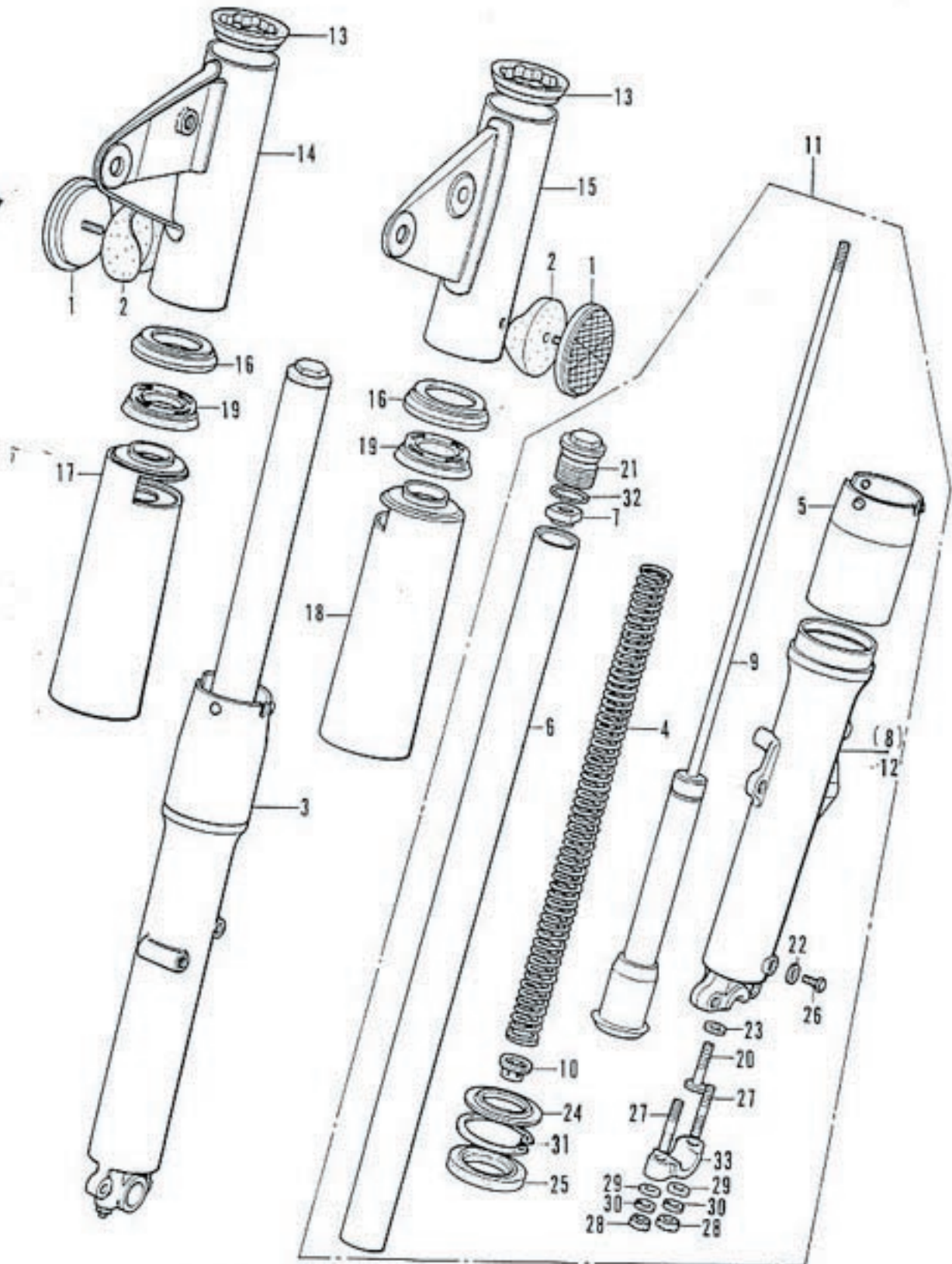
F-8 Front Cushion



F-8 Front Cushion

Ref. No.	Part No.	Description	Reqd. No. CB350F	Remarks
1	33741-340-670	REFLECTOR, front reflex	2	
2	33743-341-670	BASE, front reflex reflector	2	
3	51400-333-000	FORK ASSY., right front	1	
4	51401-333-000	SPRING, front cushion	2	
5	51402-333-000	COVER, bottom case	2	
6	51410-317-700	PIPE, front fork	2	
7	51413-317-700	NUT, lock	2	
8	51421-333-000	CASE, right front fork bottom	1	
9	51430-333-000	DAMPER COMP.	2	
10	51461-317-701	SEAT, cushion spring	2	
11	51500-333-000	FORK ASSY., left front	1	
12	51521-333-000	CASE, left front fork bottom	1	
13	51601-317-700	CUSHION A, fork cover	2	
14	51602-333-000LY	COVER, right front fork (Candy bacchus olive custom)	1	
	51602-333-000NQ	COVER, right front fork (Custom silver metallic)	1	
	51602-333-000PJ	COVER, right front fork (Flake matador red) <i>P. 330</i>	1	
15	51606-333-000LY	COVER, left front fork (Candy bacchus olive custom)	1	
	51606-333-000NQ	COVER, left front fork (Custom silver metallic) <i>P. 330</i>	1	
	51606-333-000PJ	COVER, left front fork (Flake matador red) <i>P. 330</i>	1	
16	51608-286-010	RIB, front fork	2	
17	51611-344-670LY	COVER, front fork under (Candy bacchus olive custom)	1	
	51611-344-670NQ	COVER, front fork under (Custom silver metallic)	1	
	51611-344-670PJ	COVER, front fork under (Flake matador red)	1	
18	51612-333-000LY	COVER, left front fork under (Candy bacchus olive custom)	1	
	51612-333-000NQ	COVER, left front fork under (Custom silver metallic)	1	
	51612-333-000PJ	COVER, left front fork under (Flake matador red)	1	
19	51622-286-010	CUSHION B, front fork cover	2	
20	90116-283-010	BOLT, socket, 8 mm	2	

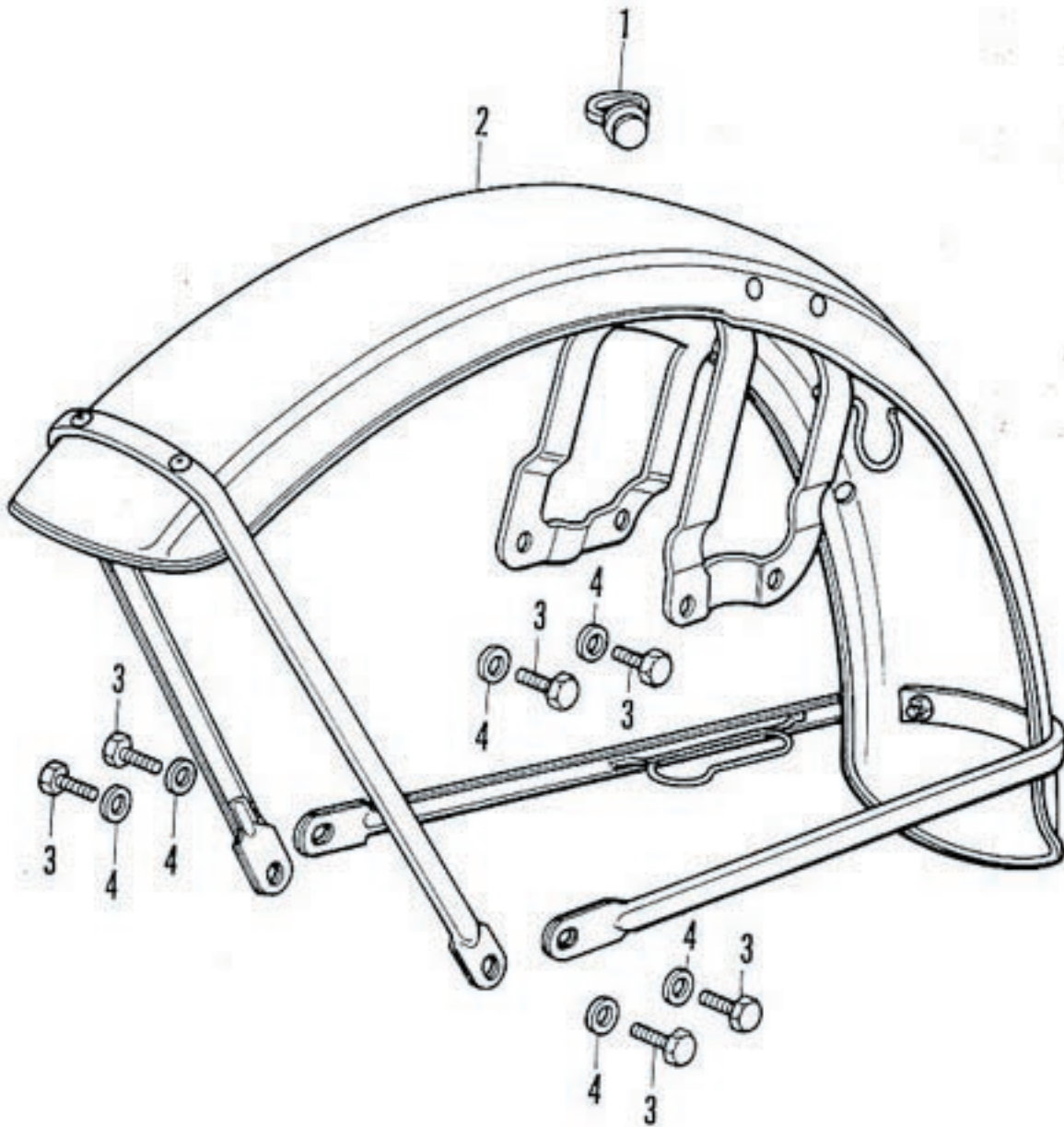
F-8 Front Cushion



F-8 Front Cushion

Ref. No.	Part No.	Description	Reqd. No. CB350F	Remarks
21	90123-317-700	BOLT, front fork	2	
22	90543-273-000	PACKING, drain cock	2	
23	90544-283-000	WASHER, special, 8 mm	2	
24	91254-333-010	DUST-SEAL, 33×47×10	2	
25	91255-312-003	OIL-SEAL, 33×46×10.5 (ARAI)	2	
26	92000-06008	BOLT, hex., 6×8	2	
27	92700-08050-30	BOLT, stud, 8×50	4	
28	94030-08000	NUT, hex., 8 mm	4	
29	94101-08000	WASHER, plain, 8 mm	4	
30	94111-08000	WASHER, spring, 8 mm	4	
31	94521-47000	CIR-CLIP, internal, 47 mm	2	
32	94608-30000	O-RING, 23×2.4	2	
33	95014-41000	HOLDER, axle	2	

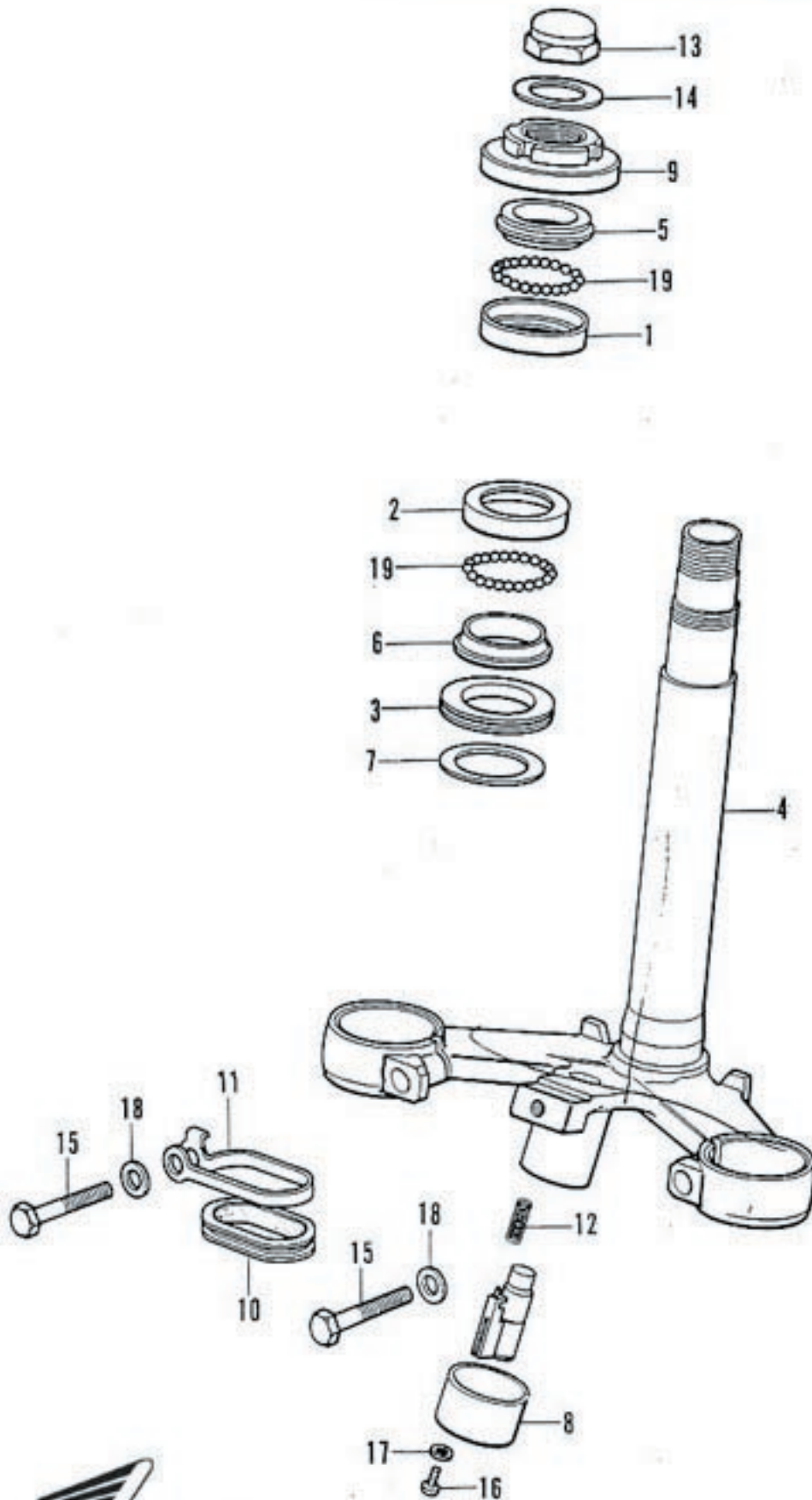
F-9 Front Fender



F-9 Front Fender

Ref. No.	Part No.	Description	Reqd. No. CB350F	Remarks
1	45451-283-000	GROMMET, wire	1	
2	61100-333-000XW	FENDER COMP., front (Chrome)	1	
3	92000-06016	BOLT, hex., 6x16	6	
4	94101-06000	WASHER, plain, 6 mm	6	

F-10 Steering Stem



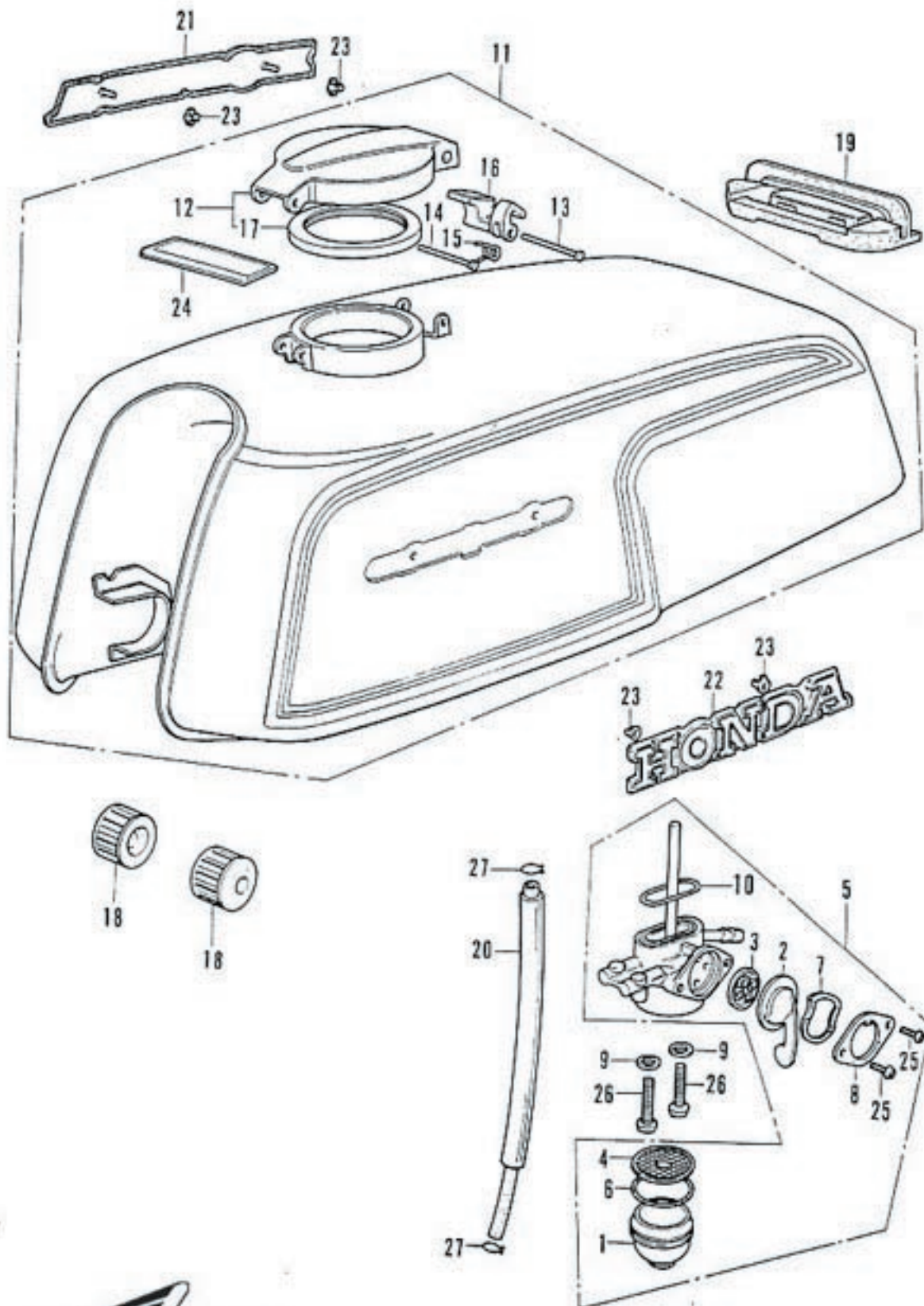
F-10 Steering Stem

Ref. No.	Part No.	Description	Reqd. No. CB350F	Remarks
1	50301-268-305	RACE, steering top ball	1	
2	50302-268-305	RACE, steering bottom ball	1	
3	53124-250-000	DUST-SEAL, steering head	1	
4	53200-333-000B	STEM COMP., steering (Black) (Used in A & D)	1	
O	53200-333-610B	STEM COMP., steering (Black).....	1	
5	53211-268-305	RACE, steering top corn.....	1	
6	53212-250-305	RACE, steering bottom corn	1	
7	53215-250-000	WASHER, steering head dust-seal	1	
8	53215-317-000	COVER COMP., handle lock case (Used in A & D)	1	
9	53220-286-000	THREAD COMP., steering head top	1	
10	53225-333-000	GUIDE, inner cable	1	
11	53226-333-000	BRACKET, cable guide	1	
O12	53631-268-020	SPRING, handle lock (Used in A & D)	1	
13	90304-323-670	NUT, steering stem	1	
14	90503-283-000	WASHER, steering stem.....	1	
15	92000-08032-0A	BOLT, hex., 8x32.....	2	
O16	93500-03008-0A	SCREW, pan, 3x8 (Used in A & D).....	1	
O17	94101-03000	WASHER, plain, 3 mm (Used in A & D).....	1	
18	94101-08000	WASHER, plain, 8 mm	2	
19	96211-08000	BALL, steel, #8	37	

F-11 Fuel Tank - Cock

Ref. No.	Part No.	Description	Reqd. No. CB350F	Remarks
1	16952-268-000	CUP, fuel strainer	1	
2	16953-268-020	LEVER, fuel cock	1	
3	16955-268-020	PACKING, fuel cock valve.....	1	
4	16957-268-010	SCREEN, fuel strainer.....	1	
5	16957-333-025	COCK ASSY., fuel (KEIHIN)	1	
6	16958-268-010	O-RING	1	
7	16960-268-010	SPRING, cock lever	1	
8	16961-268-010	PLATE, fuel cock lever setting.....	1	
9	16993-011-000	PACKING, fuel cock fixing	2	
10	16997-273-006	O-RING, 23φ	1	
O11	17500-333-610LY	TANK ASSY., fuel (Candy bacchus olive custom) (Used in G)	1	
O	17500-333-610NQ	TANK ASSY., fuel (Custom silver metallic)..... (Used in G)	1	
O	17500-333-620LY	TANK ASSY., fuel (Candy bacchus olive custom) (Used in F)	1	
O	17500-333-620NQ	TANK ASSY., fuel (Custom silver metallic)..... (Used in F)	1	
✓	17500-333-671LY	TANK ASSY., fuel (Candy bacchus olive custom) ✓	1	
O	17500-333-671NQ	TANK ASSY., fuel (Custom silver metallic).....	1	
	17500-333-671PJ	TANK ASSY., fuel (Flake matador red)	1	
12	17510-323-310	CAP COMP., fuel tank	1	
13	17513-300-300	PIN, fuel filler cap check	1	
14	17514-323-300	PIN B, fuel cap	1	
15	17515-300-300	SPRING, cap check	1	
16	17517-300-340	CHECK, fuel filler cap.....	1	
17	17534-323-300	PACKING, fuel cap	1	
18	17611-286-000	CUSHION, front fuel tank	2	
19	17613-333-010	CUSHION, rear fuel tank	1	
20	17681-333-000	TUBE, fuel	1	

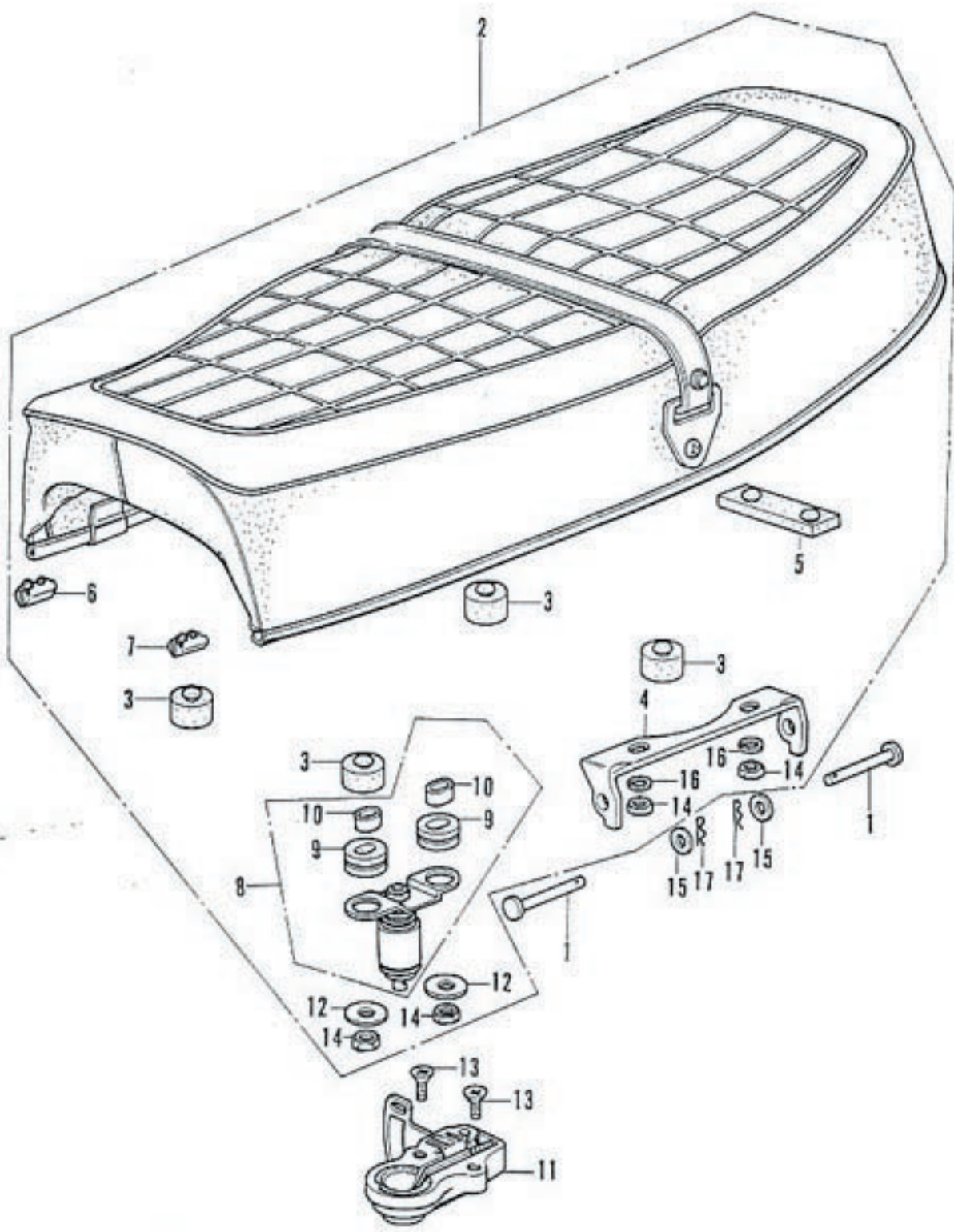
F-11 Fuel Tank - Cock



F-11 Fuel Tank - Cock

Ref. No.	Part No.	Description	Reqd. No. CB350F	Remarks
21	87121-333-000	EMBLEM, right fuel tank	1	
22	87122-333-000	EMBLEM, left fuel tank	1	
23	87311-516-000	NUT, rear ornament clamp	4	
O24	87560-323-611A	MARK, drive caution (White) (Used in G)	1	
O	87560-323-611B	MARK, drive caution (Black) (Used in G).....	1	
O	87560-323-621A	MARK, drive caution (White) (Used in F)	1	
O	87560-323-621B	MARK, drive caution (Black) (Used in F).....	1	
	87560-323-670A	MARK, drive caution (White)	1	
	87560-323-670B	MARK, drive caution (Black).....	1	
25	93500-03006-0A	SCREW, pan, 3x6	2	
26	93500-06028	SCREW, pan, 6x28	2	
27	95002-03080	CLIP, tubc, B8	2	

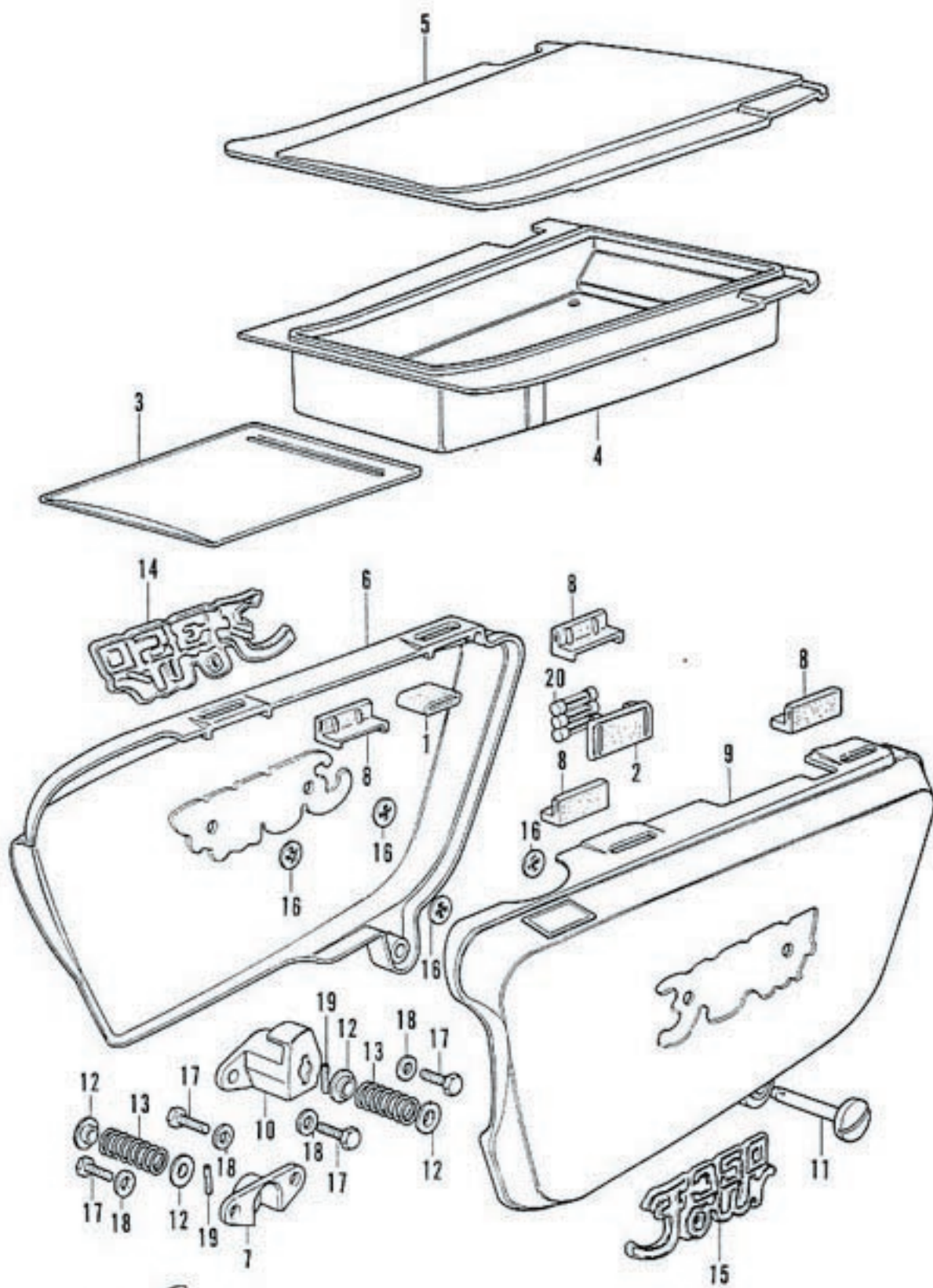
F-12 Double Seat



F-12 Double Seat

Ref. No.	Part No.	Description	Reqd. No. CB350F	Remarks
1	77103-313-000	BAR, seat hinge.....	2	
2	77200-333-000A	SEAT COMP., double (Black)	1	
3	77201-074-000	RUBBER, seat setting	4	
4	77201-333-000	HINGE, seat	1	
5	77204-312-000	RUBBER, seat setting	1	
6	77211-323-300	GARNISH, right seat mole	1	
7	77212-323-300	GARNISH, left seat mole	1	
8	77220-340-011	BAR ASSY., seat lock (TOYOSHA)	1	
9	77228-340-001	RUBBER, lock bar cushion	2	
10	77229-340-001	COLLAR, seat lock bar	2	
11	77230-347-003	LOCK ASSY., seat (T.E.C.)	1	
12	90514-700-000	WASHER, tank collar lock.....	2	
13	93600-06012-07	SCREW, flat, 6 x 12	2	
14	94001-06000	NUT, hex., 6 mm	4	
15	94101-06000	WASHER, plain, 6 mm	2	
16	94111-06000	WASHER, spring, 6 mm	2	
17	94251-06000	PIN, lock, 6 mm	2	

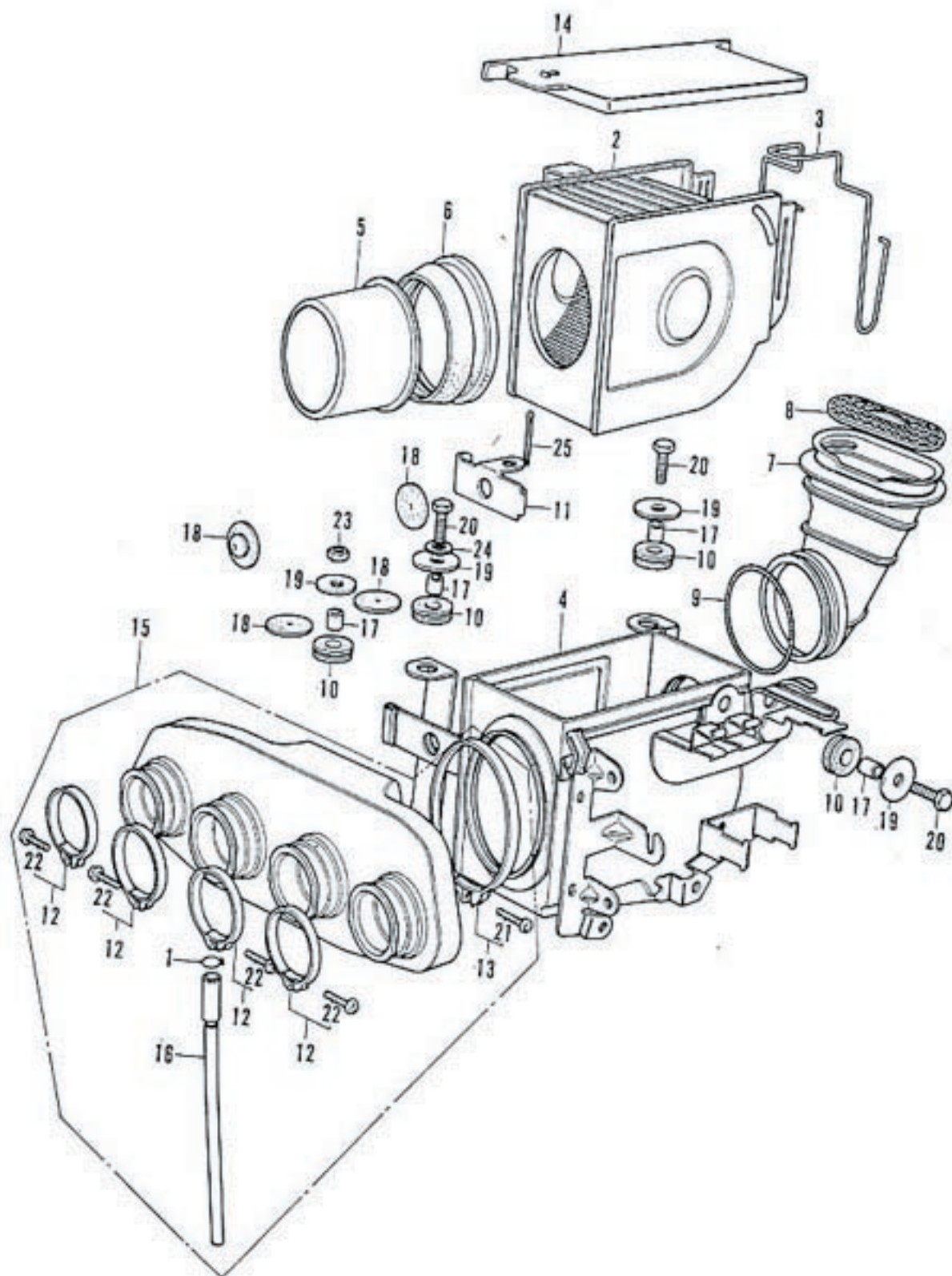
F-13 Side Cover - Tool Tray



F-13 Side Cover · Tool Tray

Ref. No.	Part No.	Description	Reqd. No. CB350F	Remarks
1	31503-044-670	RUBBER B, battery mount.....	1	
2	38205-115-000	CASE, fuse	1	
3	77251-342-000	BAG, service book.....	1	
4	83501-333-020	TRAY, tool	1	
5	83502-333-000	LID, tool tray	1	
6	83600-333-010LY	COVER, right side (Candy bacchus olive custom)	1	
	83600-333-010NQ	COVER, right side (Custom silver metallic)	1	
	83600-333-010PJ	COVER, right side (Flake matador red).....	1	
7	83601-333-000	HOLDER, right side cover under.....	1	
8	83621-333-000	GROMMET, side cover	4	
9	83700-333-010LY	COVER, left side (Candy bacchus olive custom)...	1	
	83700-333-010NQ	COVER, left side (Custom silver metallic).....	1	
	83700-333-010PJ	COVER, left side (Flake matador red)	1	
10	83701-333-000	HOLDER, left side cover under	1	
11	83703-333-000	PIN, side cover	2	
12	83704-333-000	GUIDE, spring	4	
13	83705-333-000	SPRING, side cover set	2	
14	87128-333-000	EMBLEM, right side cover.....	1	
15	87120-333-000	EMBLEM, left side cover	1	
16	90313-512-000	NUT, push, 3 mm	4	
17	92000-06016	BOLT, hex., 6×16.....	4	
18	94101-06000	WASHER, plain, 6 mm	4	
19	94305-20143	PIN, spring, 2×14.....	2	
20	98200-11500	FUSE, 15A (Spare parts).....	3	

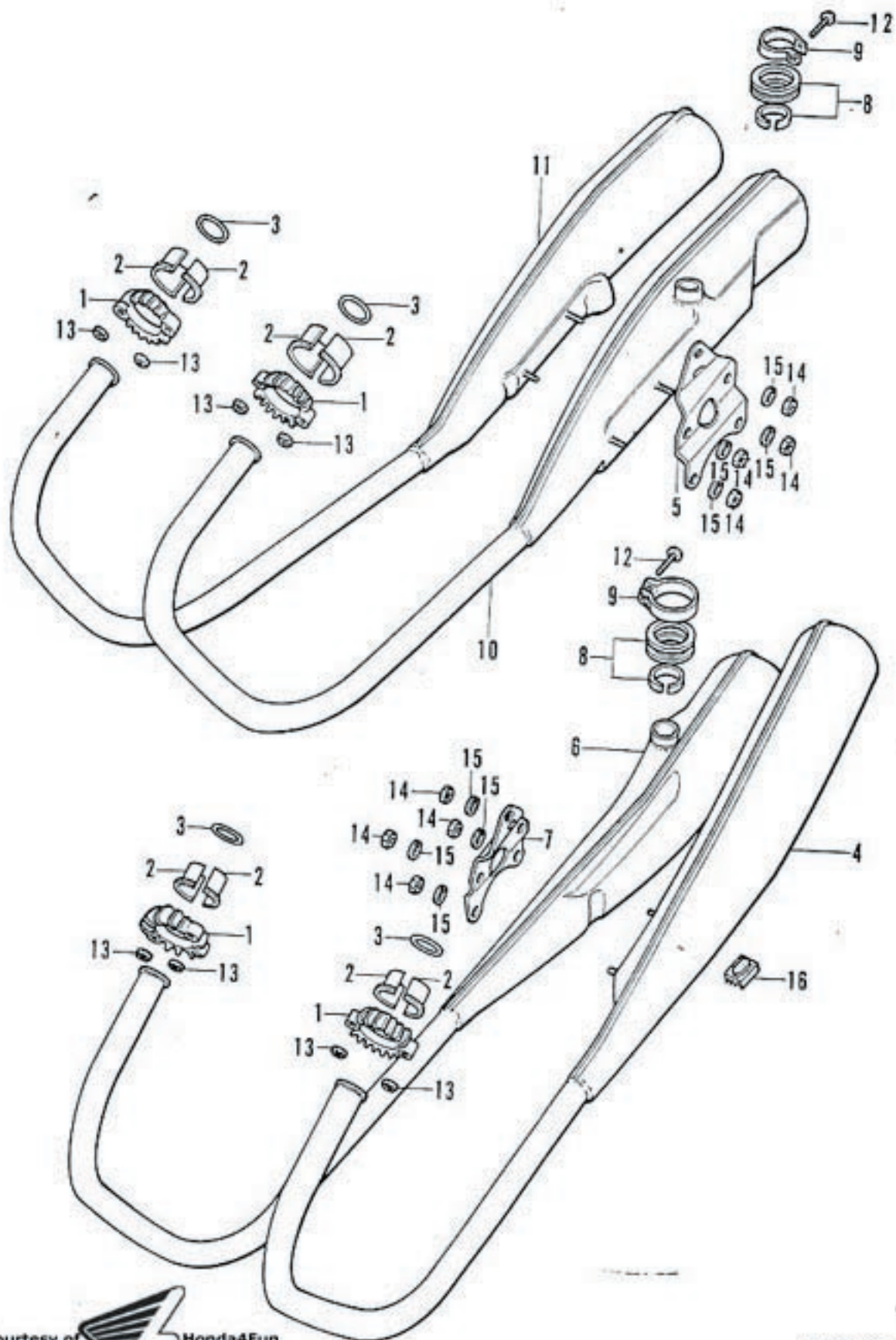
F-14 Air Cleaner



F-14 Air Cleaner

Ref. No.	Part No.	Description	Reqd. No. CB350F	Remarks
1	15772-292-010	CLIP, breather tube	1	
2	17210-333-015	ELEMENT, air cleaner (TOYOROKI)	1	
		(Used in A & D)		
○	17210-333-610	ELEMENT, air cleaner	1	
3	17216-333-010	SPRING, cleaner element	1	
4	17230-333-010	CASE COMP., air cleaner (Used in A & D)	1	
○	17230-333-610	CASE COMP., air cleaner	1	
5	17235-333-000	GUIDE, air duct.....	1	
6	17236-333-000	SEAL, air cleaner element	1	
7	17240-333-000	DUCT, air cleaner inlet	1	
8	17241-333-000	NET, air inlet	1	
9	17242-333-000	BAND, air cleaner inlet	1	
10	17245-107-010	RUBBER, air cleaner case mount.....	4	
11	17252-333-000	PLATE, battery hinge	1	
12	17255-333-000	BAND, air cleaner connecting tube	4	
13	17256-333-000	BAND, air cleaner tube rear	1	
14	17260-333-000	LID, air cleaner case	1	
15	17300-333-000	CHAMBER ASSY., air cleaner	1	
16	17335-323-000	TUBE ASSY., breather	1	
17	33603-063-650	COLLAR, rear winker stay	4	
18	83618-323-000	RUBBER, battery	4	
19	90501-040-000	WASHER, seat setting.....	4	
20	92000-06020	BOLT, hex., 6×20.....	3	
21	93500-05016-0A	SCREW, pan, 5×16	1	
22	93500-05020-0A	SCREW, pan, 5×20	4	
23	94001-06000	NUT, hex., 6 mm	1	
24	94101-06000	WASHER, plain, 6 mm.....	1	
25	94201-30450	PIN, split, 3×45.....	1	

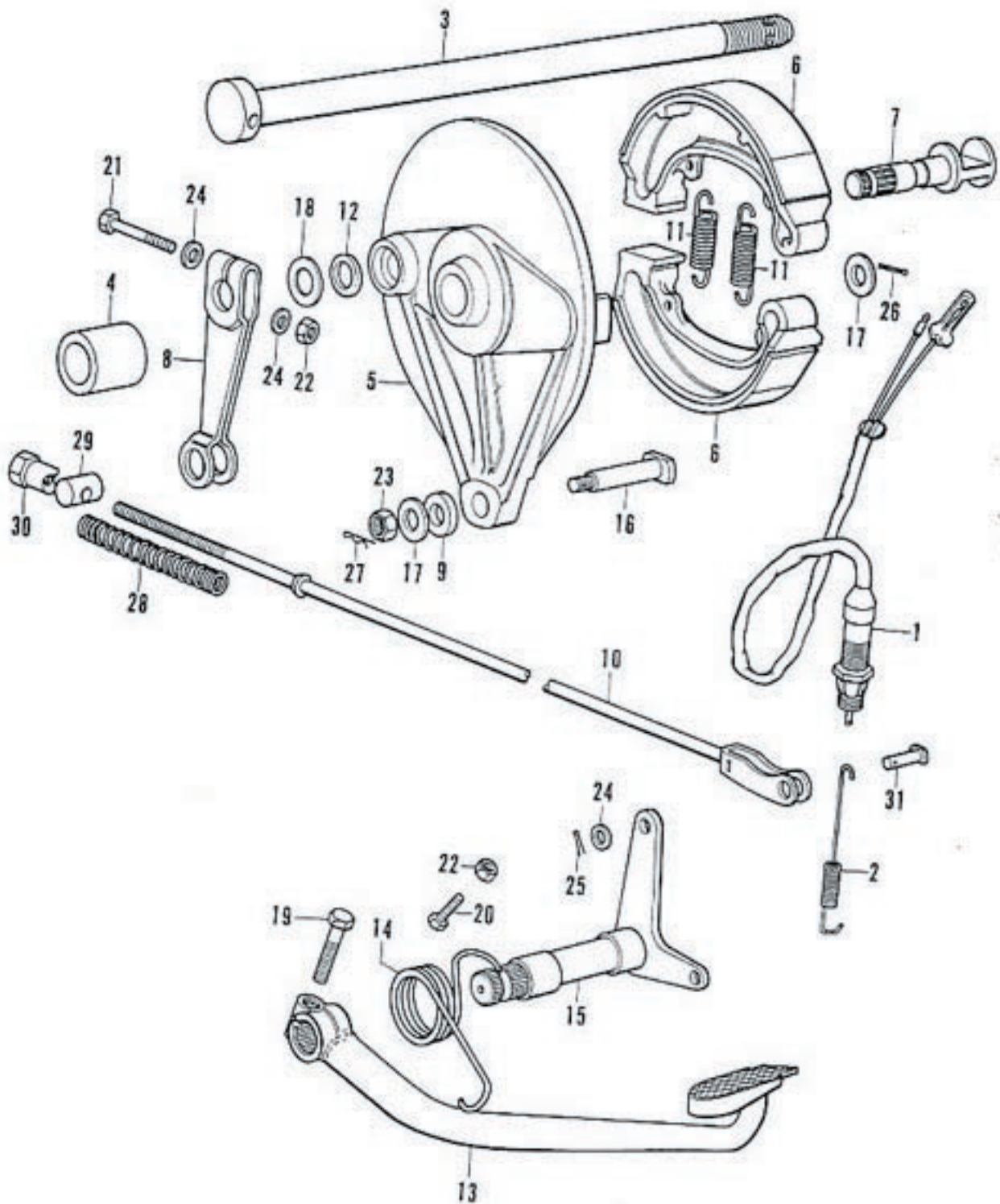
F-15 Exhaust Muffler



F-15 Exhaust Muffler

Ref. No.	Part No.	Description	Reqd. No. CB350F	Remarks
1	18231-333-010	JOINT, exhaust pipe.....	4	
2	18233-303-010	COLLAR, exhaust pipe joint	8	
3	18291-028-000	GASKET, exhaust pipe	4	
4	18300-333-010	MUFFLER COMP. I, exhaust (Used in A & D)...	1	
○	18300-333-610	MUFFLER COMP. I, exhaust	1	
5	18325-333-000	BRACKET, right muffler	1	
6	18400-333-010	MUFFLER COMP. II, exhaust (Used in A & D)	1	
○	18400-333-610	MUFFLER COMP. II, exhaust	1	
7	18425-333-000	BRACKET, left muffler	1	
8	18472-300-000	TUBE, muffler connecting	2	
9	18473-300-000	BAND, muffler connecting pipe	2	
10	18500-333-010	MUFFLER COMP. III, exhaust (Used in A & D)	1	
○	18500-333-610	MUFFLER COMP. III, exeast	1	
11	18600-333-010 ←	MUFFLER COMP. IV, exhaust (Used in A & D)	1	
○	18600-333-610	MUFFLER COMP. IV, exhaust	1	
12	93500-05016-0G	SCREW, pan, 5×16	2	
13	94001-06000	NUT, hex., 6 mm	8	
14	94001-08000-0S	NUT, hex., 8 mm	8	
15	94111-08000	WASHER, spring, 8 mm	8	
16	95011-64000	RUBBER D, stand stopper	1	

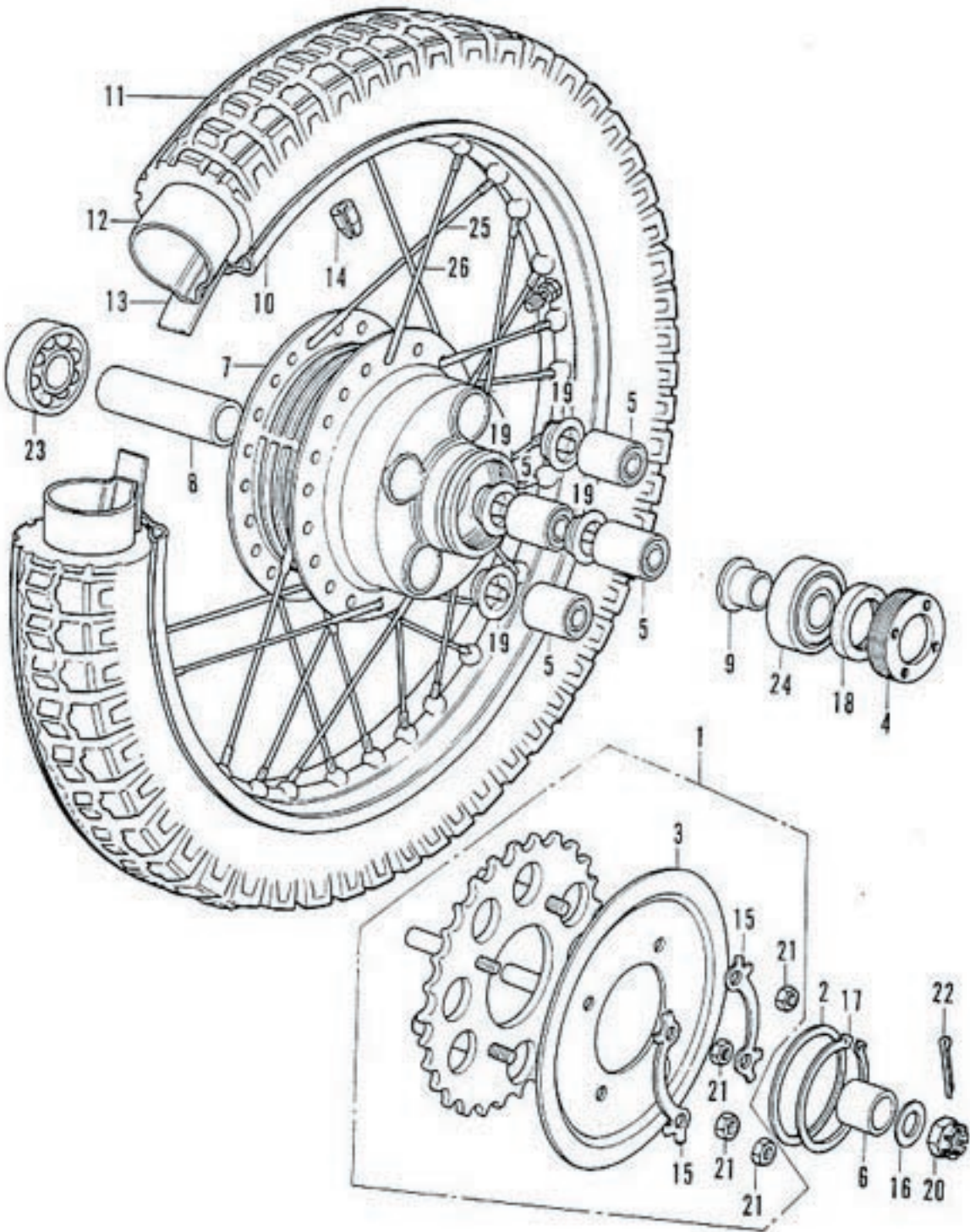
F-16 Rear Brake Pedal - Panel



F-16 Rear Brake Pedal - Panel

Ref. No.	Part No.	Description	Reod. No. CB350F	Remarks
1	35350-336-000	SWITCH ASSY., stop lamp	1	
2	35357-011-000	SPRING, stop switch	1	
3	42301-286-010	AXLE, rear wheel	1	
4	42313-286-000	COLLAR, rear brake panel side	1	
5	43100-333-000	PANEL COMP., rear brake	1	
6	43120-286-000	SHOE COMP., rear brake	2	
7	43141-286-010	CAM, rear brake	1	
8	43410-286-000	ARM, rear brake	1	
9	43434-286-000	RUBBER, stopper arm cushion.....	1	
10	43451-316-670	ROD COMP., rear brake.....	1	
11	45133-240-000	SPRING, front brake shoe	2	~1013842
	45133-329-000	SPRING, front brake shoe	2	1013843~
12	45134-250-000	DUST-SEAL, brake cam.....	1	
13	46500-333-010	PEDAL COMP., brake.....	1	
14	46514-333-000	SPRING, brake pedal	1	
15	46515-333-000	SHAFT COMP., rear brake pivot	1	
16	90127-283-000	BOLT, rear brake stopper arm	1	
17	90524-030-000	WASHER A, handle holder setting	2	
18	90549-121-000	WASHER, plain, 14 mm	1	1013843~
19	92000-08028-0A	BOLT, hex., 8x28.....	1	
20	92023-06025	BOLT, hex., 6x25.....	1	
21	92200-06036	BOLT, hex., 6x36.....	1	
22	94001-06000	NUT, hex., 6 mm	2	
23	94001-08000-0S	NUT, hex., 8 mm	1	
24	94101-06000	WASHER, plain, 6 mm	3	
25	94201-16120	PIN, split, 1.6x12	1	
26	94201-20150	PIN, split, 2x15.....	1	
27	94251-08000	PIN, lock, 8 mm	1	
28	95014-73300	SPRING C, brake rod	1	
29	95015-32000	JOINT B, brake arm	1	
30	95015-42000	NUT B, adjust	1	
31	95015-51000	PIN A, joint.....	1	

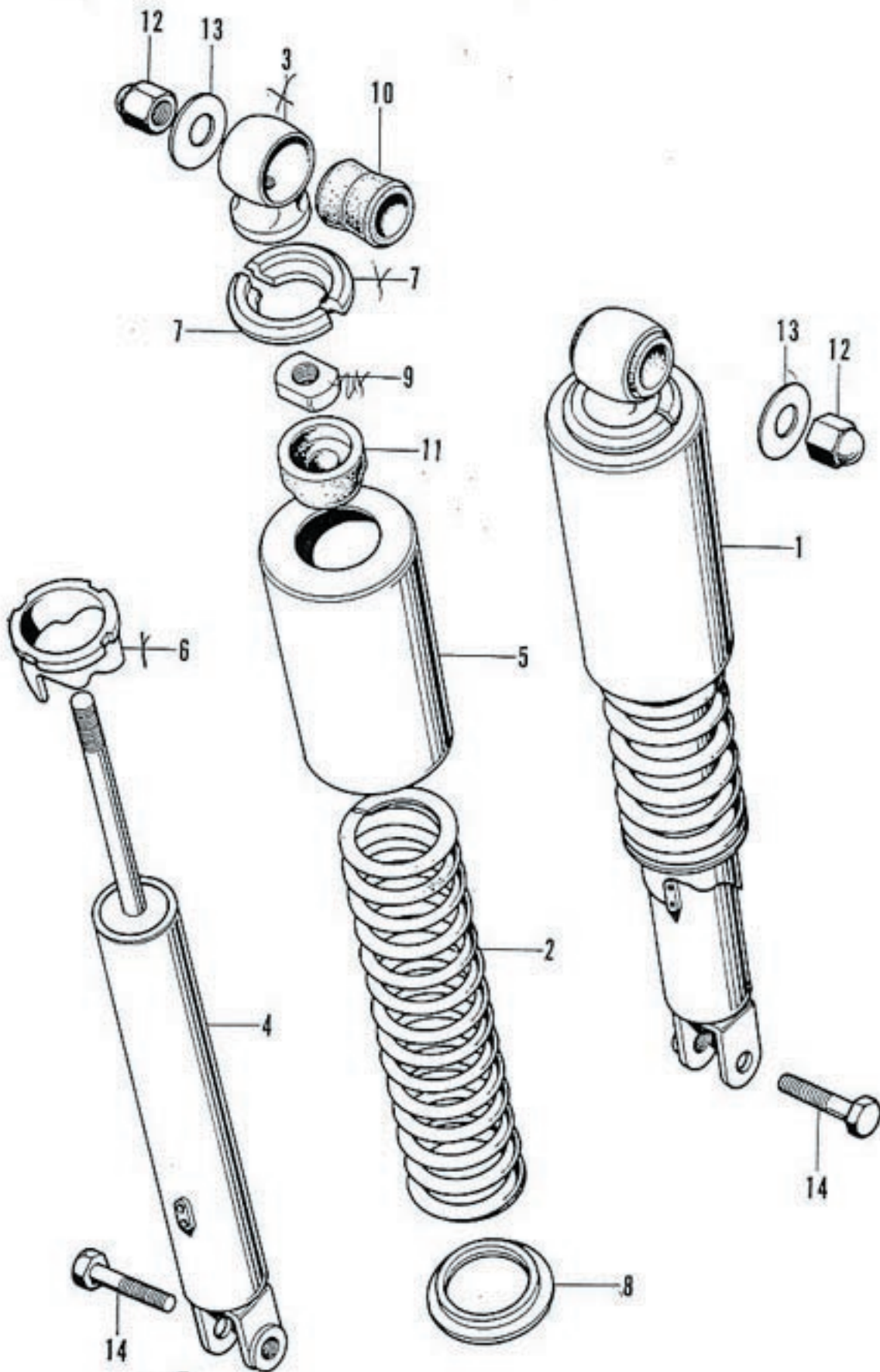
F-17 Rear Wheel



F-17 Rear Wheel

Ref. No.	Part No.	Description	Reqd. No. CB350F	Remarks
1	41200-333-000	SPROCKET ASSY., final driven	1	
2	41202-286-000	WASHER, 70 mm	1	
3	41211-333-000	PLATE, sprocket side	1	
4	41231-286-000	RETAINER, rear wheel bearing	1	
5	41241-286-000	✂ BUSH, rear wheel damper	4	
6	42311-286-000	COLLAR, rear wheel side	1	
7	42601-333-000	HUB COMP., rear wheel	1	
8	42620-286-000	COLLAR A, rear axle distance	1	
9	42625-286-000	COLLAR B, rear axle distance	1	
10	42701-286-003	RIM, rear wheel (18")	1	
11	42711-323-013	TIRE, rear wheel (3.50-18) (BRIDGESTON)	1	
12	42712-287-000	TUBE, rear wheel (3.50-18)	1	
13	42713-268-000	FLAP, rear tire (18")	1	
14	44606-283-000	BALANCER, wheel (20g)	(0-3)	
	44607-283-000	BALANCER, wheel (15g)	(0-3)	
	44608-283-000	BALANCER, wheel (10g)	(0-3)	
	44609-283-000	BALANCER, wheel (5g)	(0-3)	
15	90522-286-000	WASHER, tongued, 10 mm	2	
16	90523-286-000	WASHER, 16.5×30	1	
17	90665-286-000	CIR-CLIP, external, 69 mm	1	
18	91253-286-013	DUST-SEAL, 30×45×9.5	1	
19	91303-333-000	PLUG, rear wheel hub	4	
20	94011-16220-0S	NUT, castle, 16 mm	1	
21	94031-10000	NUT, hex., 10 mm	4	
22	94201-40300	PIN, split, 4×30	1	
23	96140-63030-10	BEARING, radial ball, 6303	1	
24	96140-63040-10	BEARING, radial ball, 6304	1	
25	97339-52159-10	SPOKE, B 9×159.5 (Inside)	18	
26	97715-52158-10	SPOKE, B 9×159 (Outside)	18	

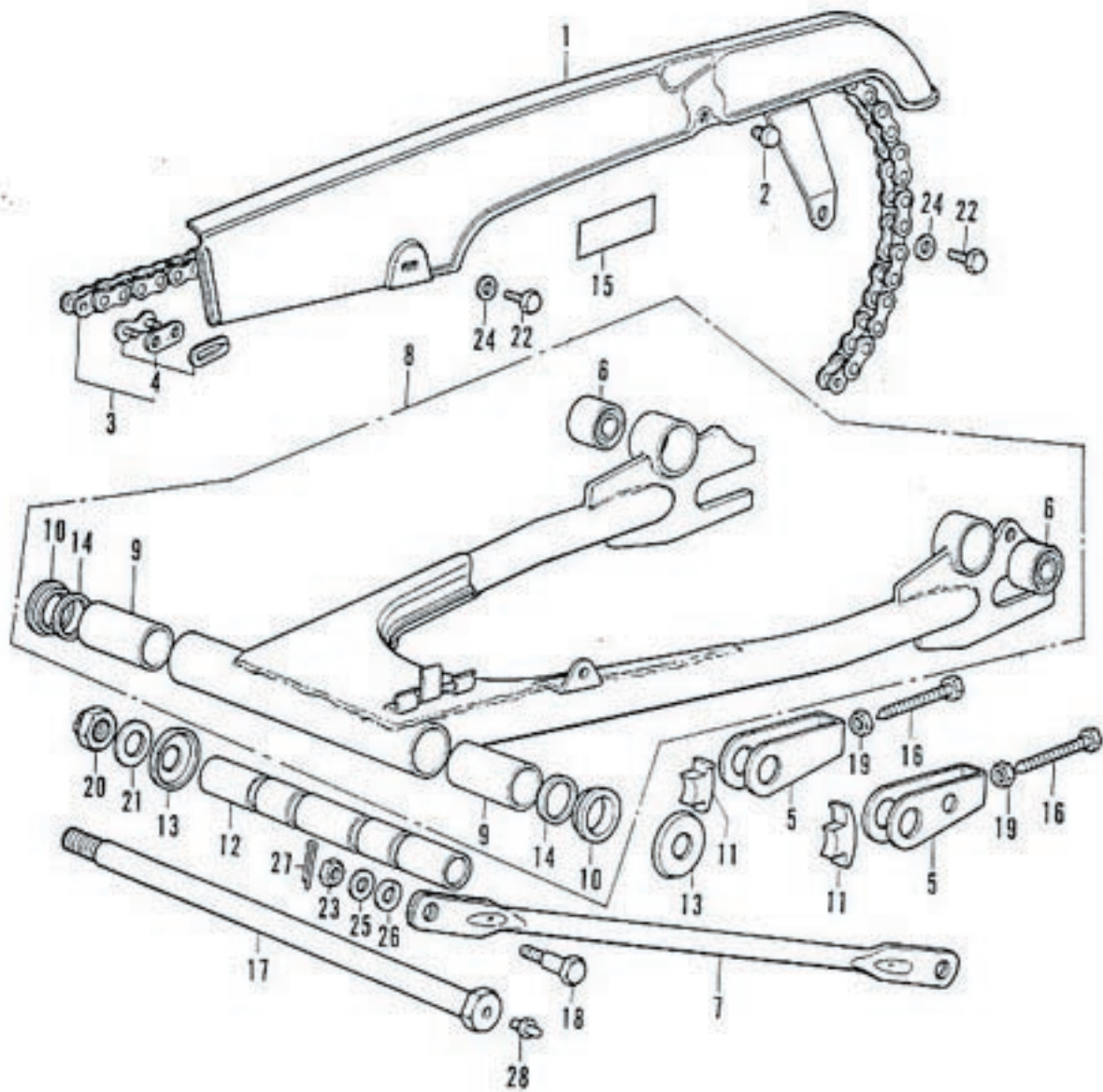
F-18 Rear Cushion



F-18 Rear Cushion

Ref. No.	Part No.	Description	Reqd. No. CB350F	Remarks
1	52400-333-000XW	CUSHION ASSY., rear (Chrome)	2	
2	52401-317-700	SPRING, rear cushion	2	
3	52403-317-700	JOINT, upper	2	
4	52410-333-000	DAMPER COMP., rear	2	
5	52421-292-670XW	CASE, rear cushion upper (Chrome)	2	
6	52422-331-003	ADJUSTER, spring	2	
7	52424-331-003	STOPPER, spring seat	4	
8	52458-317-700	SEAT, spring under	2	
9	52482-331-003	NUT, lock, 9 mm	2	
10	52484-292-000	RUBBER, joint	2	
11	52517-331-003	RUBBER, rear cushion stopper	2	
12	90309-315-000	NUT, rear cushion upper	2	
13	90527-230-000	WASHER, 10.3 mm	2	
14	93000-10032-0B	BOLT, hex., 10×32	2	

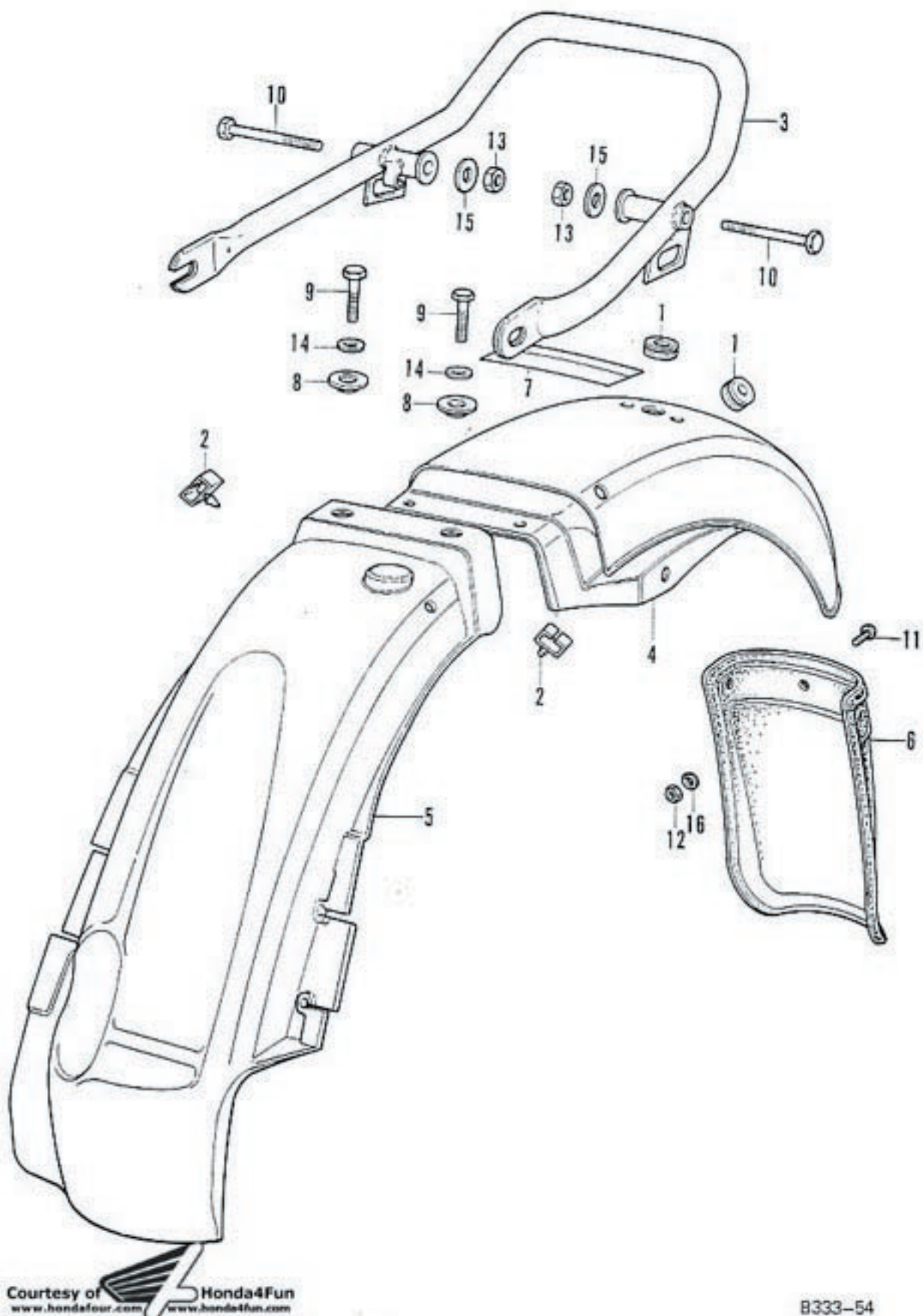
F-19 Chain Case - Rear Fork



F-19 Chain Case - Rear Fork

Ref. No.	Part No.	Description	Reqd. No. CB350F	Remarks
1	40510-333-000	CASE, drive chain.....	1	
2	40514-333-000	PLUG, chain case	1	
3	40530-333-003	CHAIN, drive (D.I.D. 50DS-96L, DAIDO)	1	
	40530-333-005	CHAIN, drive (RK50S-96L, TAKASAGO)	1	
4	40531-333-003	JOINT, drive chain (D.I.D. 50DS, DAIDO)	1	
	40531-333-005	JOINT, drive chain (RK50S, TAKASAGO)	1	
5	40543-312-010	ADJUSTER, drive chain	1	
6	40548-268-000	BUSH, rear cushion under rubber	1	
7	43431-333-000	ARM, rear brake stopper	1	
8	52100-333-000B	FORK COMP., rear	1	
9	52108-333-003	BUSH, rear fork pivot.....	2	
10	52109-283-300	BUSH, rear fork pivot thrust.....	2	
11	52136-333-000	STOPPER, chain adjuster	2	
12	52141-333-000	COLLAR, rear fork center	1	
13	52144-283-010	CAP, rear fork dust-seal	2	
14	52145-283-000	RING, rear fork felt	2	
15	87504-028-670	MARK muffler caution (Used in A)	1	
16	90119-283-000	BOLT, chain adjust	2	
17	90121-292-000	BOLT, rear fork pivot.....	1	
18	90133-286-000	BOLT, rear brake stopper	1	
19	90307-283-000	NUT, chain adjust	2	
20	90354-268-000	NUT, self lock, 14 mm	1	
21	90526-216-000	WASHER, 14x26	1	
22	92000-06012	BOLT, hex., 6x12.....	2	
23	94001-08000-0S	NUT, hex., 8 mm	1	
24	94101-06000	WASHER, plain, 6 mm	2	
25	94101-08000	WASHER, plain, 8 mm	1	
26	94111-10000	WASHER, spring, 10 mm	1	
27	94201-20150	PIN, split, 2x15.....	1	
28	96201-30001	NIPPLE, grease, A45	1	

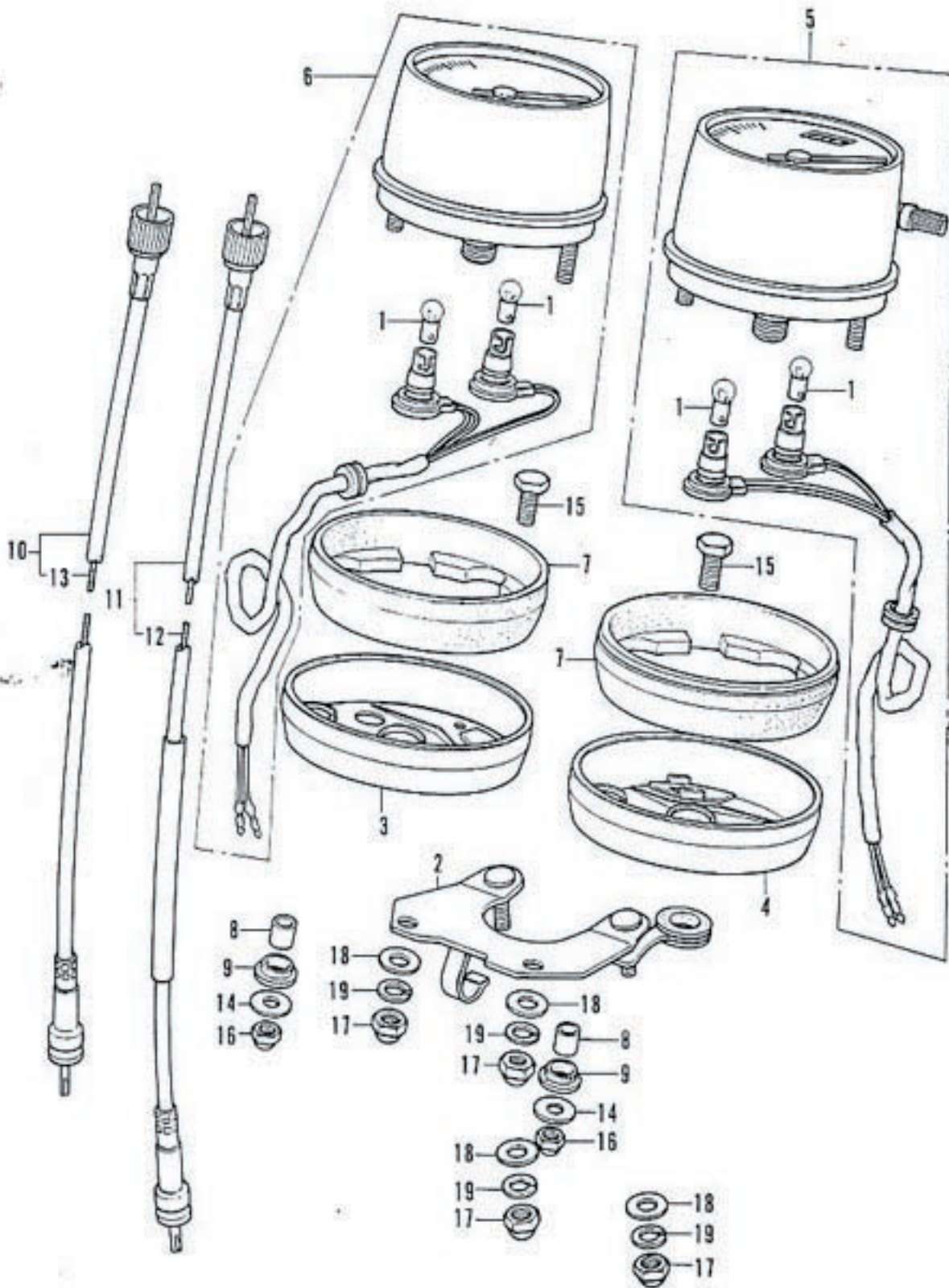
F-20 Rear Fender



F-20 Rear Fender

Ref. No.	Part No.	Description	Reqd. No. CB350F	Remarks
1	32983-011-000	GROMMET, wire cord	2	
2	32985-300-000	GROMMET, wire cord	2	
3	50400-333-000 *	PIPE COMP., rear.....	1	
O	50400-333-610	PIPE COMP., rear (Used in G)	1	
4	80100-333-000XW	FENDER COMP., rear (Chrome).....	1	
	80100-333-610XW	FENDER COMP., rear (Chrome) (Used in G).....	1	
O	80100-333-730XW	FENDER COMP., rear (Chrome) (Used in ED) ...	1	
5	80105-333-000	FENDER B ASSY., rear.....	1	
O 6	80121-317-731	MUDGUARD, rear fender (Used in ED)	1	
7	87507-333-670	MARK, tire caution (Used in A)	1	
O	87507-333-610	MARK, tire caution (Used in G)	1	
	87507-333-680	MARK, tire caution	1	
8	90512-300-000	WASHER, 6x20	2	
9	92000-06020	BOLT, hex., 6x20.....	2	
10	93000-08065-0B	BOLT, hex., 8x65.....	2	
O11	93500-06020-49	SCREW, pan, 6x20 (Used in ED)	3	
O12	94001-06000	NUT, hex., 6 mm (Used in ED)	3	
13	94001-08000-0S	NUT, hex., 8 mm	2	
14	94101-06000	WASHER, plain, 6 mm	2	
15	94101-08000	WASHER, plain, 8 mm	2	
O16	94111-06000	WASHER, spring, 6 mm (Used in ED)	3	

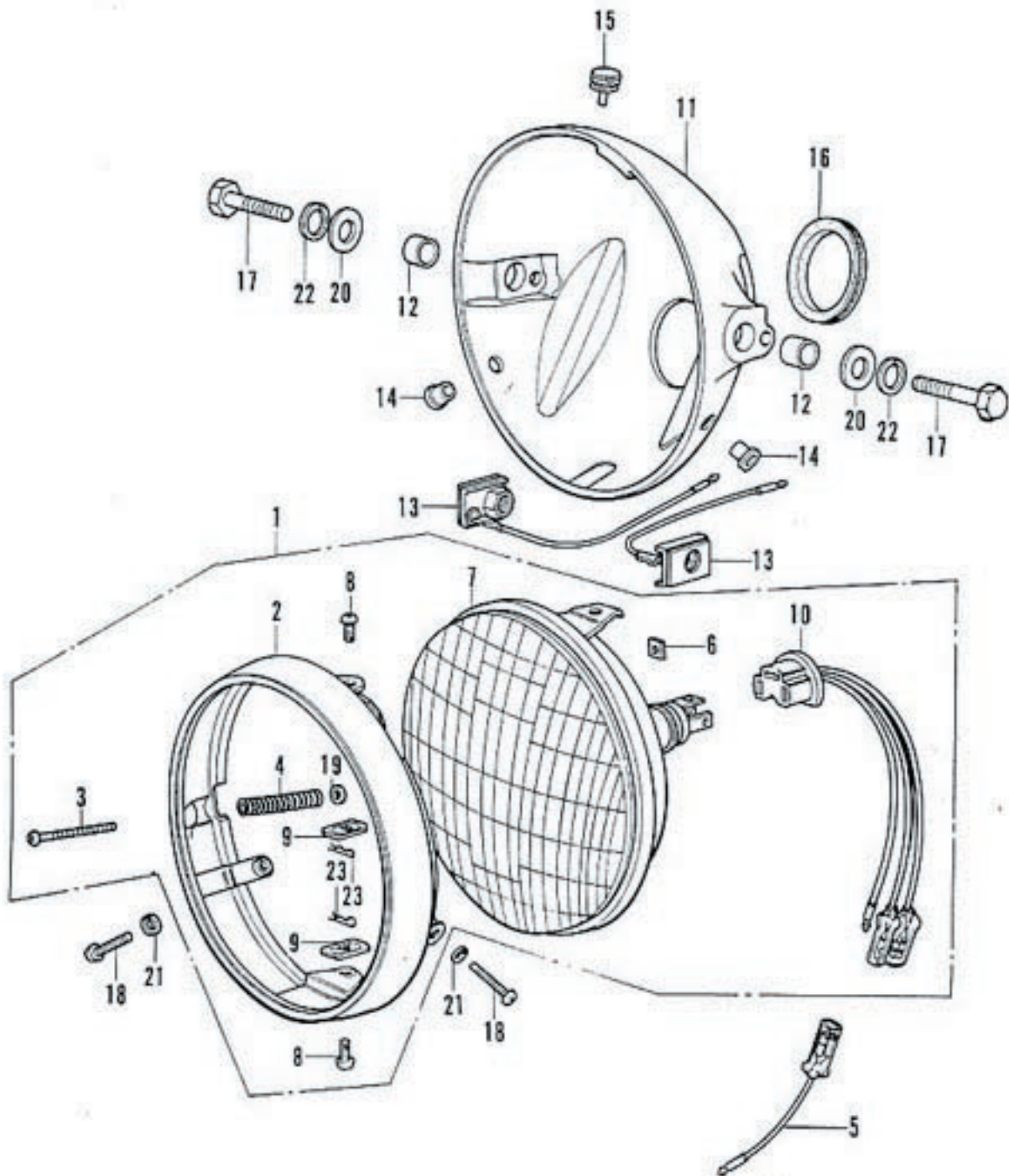
F-21 Speedometer · Tachometer



F-21 Speedometer · Tachometer

Ref. No.	Part No.	Description	Reqd. No. CB350F	Remarks
1	34902-259-000	BULB, dash (12V 3W)	4	
2	37211-333-008	BRACKET, meter (NIPPON SEIKI)	1	
3	37212-333-000	(Superseded by 37212-455-000)	1	~1013951
	37212-455-000	RING, right meter set	1	1013952~
4	37213-333-000	(Superseded by 37213-455-000)	1	~1013951
	37213-455-000	RING, left meter set	1	1013952~
5	37230-333-672 †	METER ASSY., speed (Mile) (NIPPON SEIKI) ... (Used in A & D)	1	
○	37230-333-680	METER ASSY., speed (Km) (Used in G, F, ED & D)	1	
6	37240-333-008	METER ASSY., tacho (NIPPON SEIKI)	1	
7	37242-323-701	CUSHION, meter	2	
8	37243-323-000	COLLAR, meter set	4	~1013951
	37243-457-000	COLLAR, meter set	4	1013952~
9	37244-307-670	RUBBER, meter set	4	
10	37260-333-000	CABLE ASSY., tachometer	1	
11	44830-323-000	CABLE ASSY., speedometer	1	
12	44831-323-000	CABLE, inner speedometer	1	
13	44831-333-000	CABLE, inner speedometer	1	
14	90525-030-000	WASHER B, handle holder setting	4	~1013951
	90500-455-000	WASHER, meter mount 19 mm	4	1013952~
15	92000-08020-0A	BOLT, hex., 8×20 (Used in A)	2	
	92000-08016-0A	BOLT, hex., 8×16	2	
16	94021-06020	NUT, hex. cap, 6 mm	4	
17	94021-08020-0S	NUT, hex. cap, 8 mm	4	
18	94101-08000	WASHER, plain, 8 mm	4	
19	94111-08000	WASHER, spring, 8 mm	4	

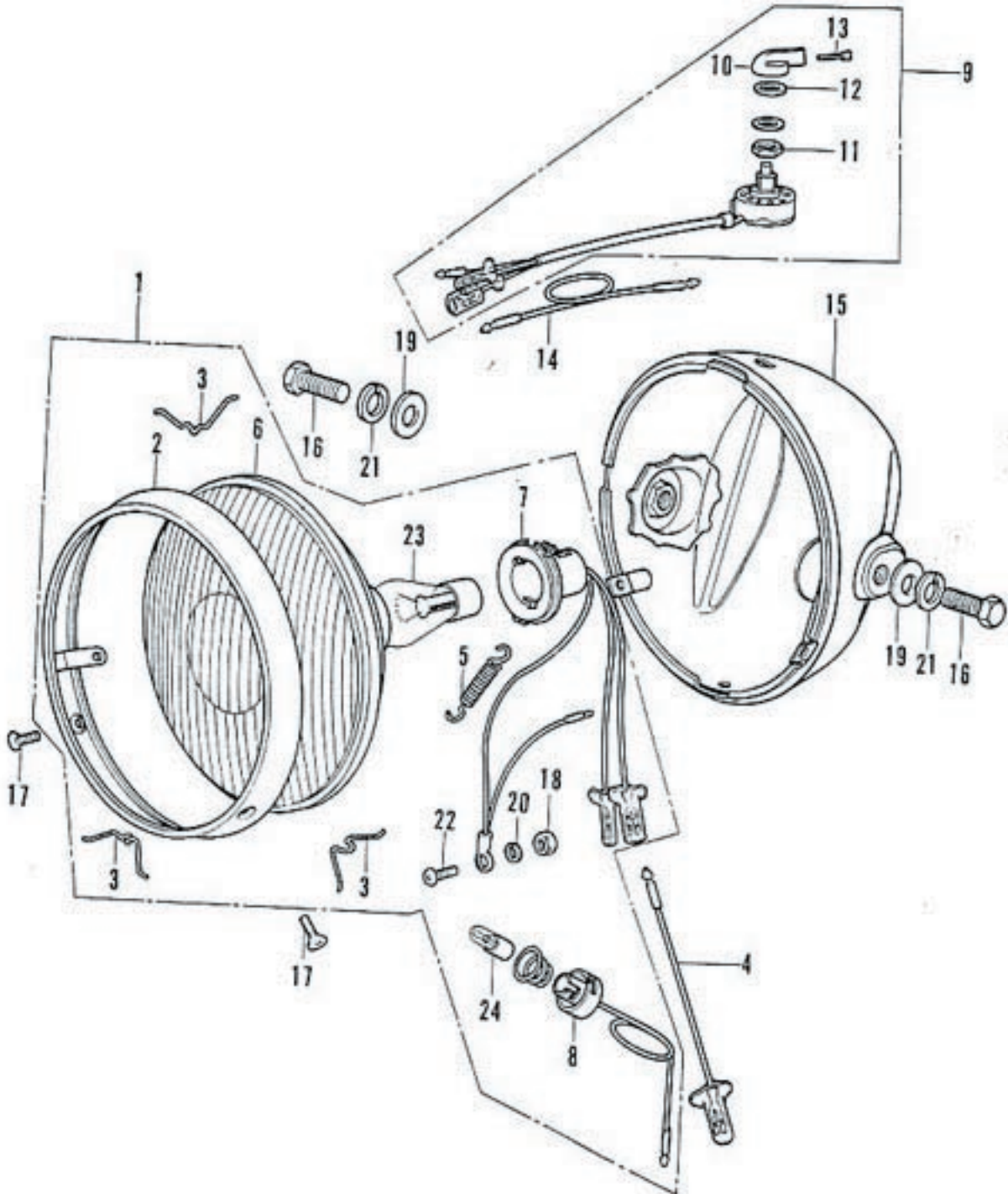
F-22 Head Light - Case
(Used in A & D)



F-22 Head Light - Case
(Used in A & D)

Ref. No.	Part No.	Description	Reqd. No. CB350F	Remarks
1	33100-333-671	LIGHT ASSY., head (12V 50/35W).....	1	
2	33101-333-670	RIM, head light	1	
3	33103-333-000	SCREW, beam adjust, 4 mm	1	
4	33107-333-000	SPRING, beam adjust	1	
5	33109-333-680	SUB-CORD, high beam (Used in D)	1	
6	33117-292-003	NUT, beam adjust	1	
7	33130-333-670	UNIT, head light (12V 50/35W)	1	
8	33125-087-761	SCREW, unit holder	2	
9	33128-200-033	NUT, unit holder	2	
10	33130-333-000	SOCKET COMP., head light	1	
11	61301-333-003B	CASE, head light (Black).....	1	
12	61302-292-000	COLLAR, light case	2	
13	61303-336-000	WASHER, head light case	2	
14	61304-292-000	COLLAR, head light.....	2	
15	61305-333-010	GROMMET, head light case	1	
16	61306-333-003	GROMMET, head light case	1	
17	92000-10032-0B	BOLT, hex., 10x32	2	
18	93500-05016-0B	SCREW, pan, 5x16	2	
19	94101-04000	WASHER, plain, 4 mm	1	
20	94101-10000	WASHER, plain, 10 mm	2	
21	94111-05200	WASHER, spring, 5 mm	2	
22	94111-10000	WASHER, spring, 10 mm	2	
23	94251-05000	PIN, lock	2	

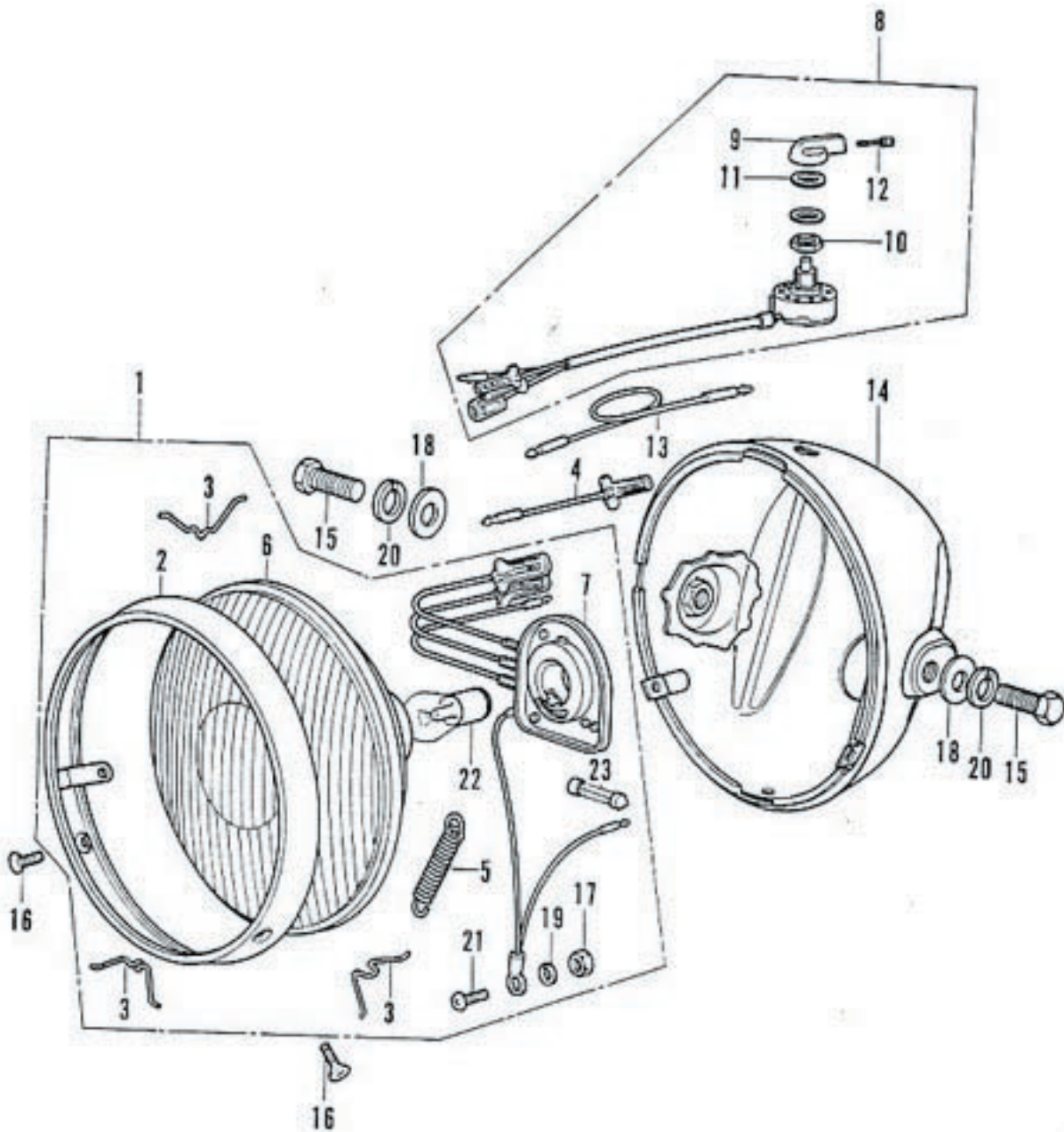
F-22 Head Light - Case
(Used in G & ED)



F-22 Head Light - Case
(Used in G & ED)

Ref. No.	Part No.	Description	Reqd. No. CB350F	Remarks
1	33100-286-611	LIGHT ASSY., head.....	1	
2	33101-283-601	RIM, head light	1	
3	33108-268-000	SPRING, head light	3	
4	33109-333-680	SUB-CORD, high beam	1	
5	33115-283-601	SPRING, socket holder	1	
6	33120-283-601	UNIT, head light	1	
7	33130-286-611	SOCKET, head light.....	1	
8	33170-286-611	SOCKET, parking	1	
9	35150-333-620	SWITCH ASSY., lighting	1	
10	35151-292-751	KNOB, lighting switch	1	
11	35152-268-000	NUT, lighting switch	1	
12	35153-268-000	WASHER, lighting switch	1	
13	35154-268-000	SCREW, lighting switch setting.....	1	
14	35303-333-610	SUB-CORD, lighting switch	1	
15	61301-333-610B	CASE, head light (Black).....	1	
16	92000-10020-0B	BOLT, hex., 10×20	2	
17	93700-06010-0B	SCREW, oval, 5×10	2	
18	94001-03000-0S	NUT, hex., 3 mm	1	
19	94101-10000	WASHER, plain, 10 mm	2	
20	94111-03000	WASHER, spring, 3 mm	1	
21	94111-10000	WASHER, spring, 10 mm	2	
22	99500-03006-0A	BOLT, slotted, 3×6	1	
23		BULB, head light (12V 35/35W) (To be locally purchased in G & ED)	1	
24		BULB, dash (12V 4W) (To be locally purchased in G & ED)	1	

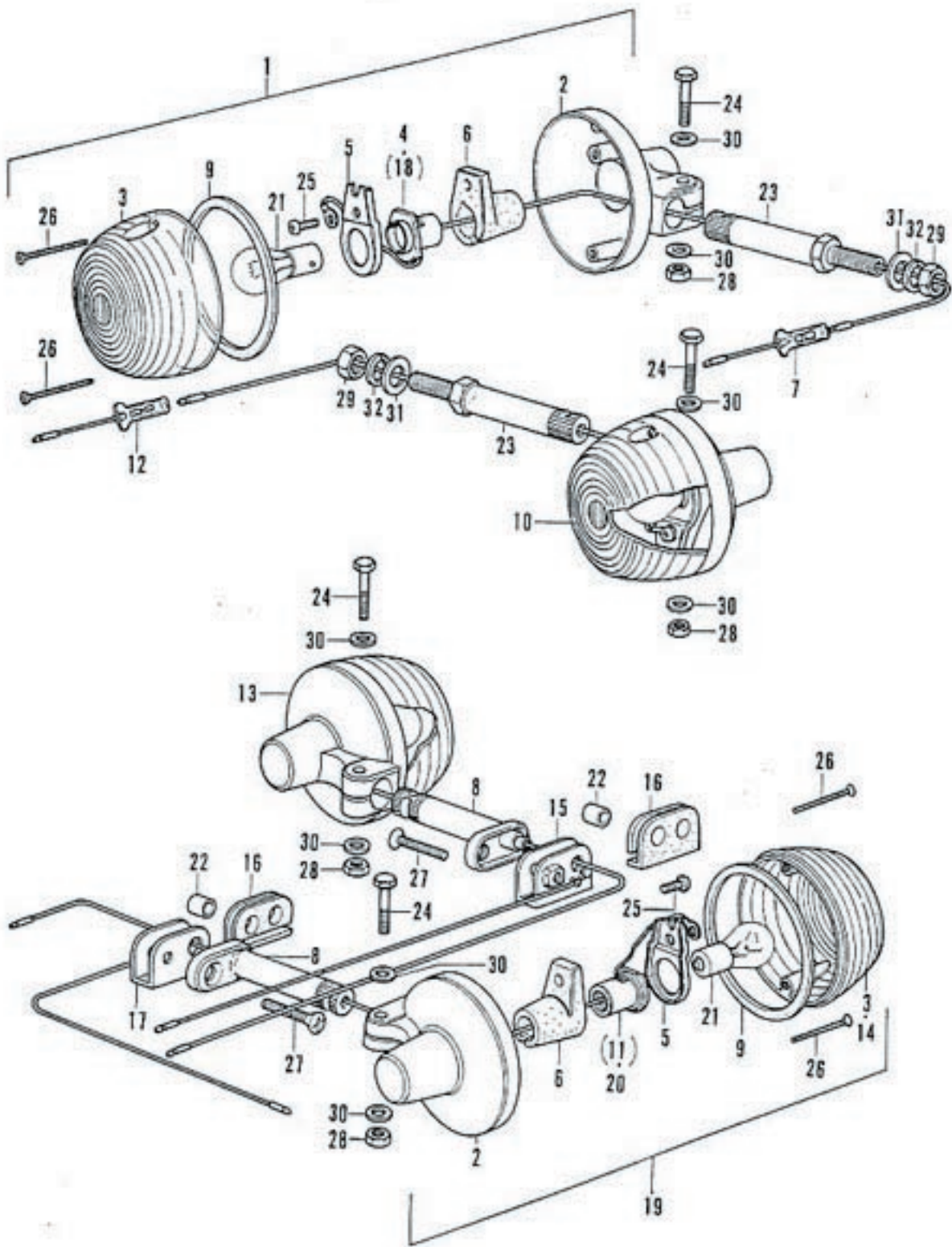
F-22 Head Light - Case
(Used in F)



F-22 Head Light - Case
(Used in F)

Ref. No.	Part No.	Description	Reqd. No. CB350F	Remarks
1	33100-286-622	LIGHT ASSY., head (12V 36/36W).....	1	
2	33101-286-621	RIM, head light	1	
3	33108-268-000	SPRING, head light	3	
4	33109-333-680	SUB-CORD, high beam	1	
5	33115-286-621	SPRING, socket holder	1	
6	33120-286-621	UNIT, head light	1	
7	33130-286-622	SOCKET, head light.....	1	
8	35150-333-620	SWITCH ASSY., light.....	1	
9	35151-292-751	KNOB, lighting switch.....	1	
10	35152-268-000	NUT, lighting switch	1	
11	35153-268-000	WASHER, lighting switch	1	
12	35154-268-000	SCREW, lighting switch setting.....	1	
13	35303-333-610	SUB-CORB, lighting switch	1	
14	61301-333-610B	CASE, head light (Black).....	1	
15	92000-10020-0B	BOLT, hex., 10x20	2	
16	93700-05010-0B	SCREW, oval, 5x10	2	
17	94001-03000-0S	NUT, hex., 3 mm	1	
18	94101-10000	WASHER, plain, 10 mm	2	
19	94111-03000	WASHER, spring, 3 mm	1	
20	94111-10000	WASHER, spring, 10 mm	2	
21	99500-0'006-0A	BOLT, slotted, 3x6	1	
22		BULB, head light (12V 36/36W)	1	
		(To be locally purchased in F)		
23		BULB, parking light (12V 4W)	1	
		(To be locally purchased in F)		

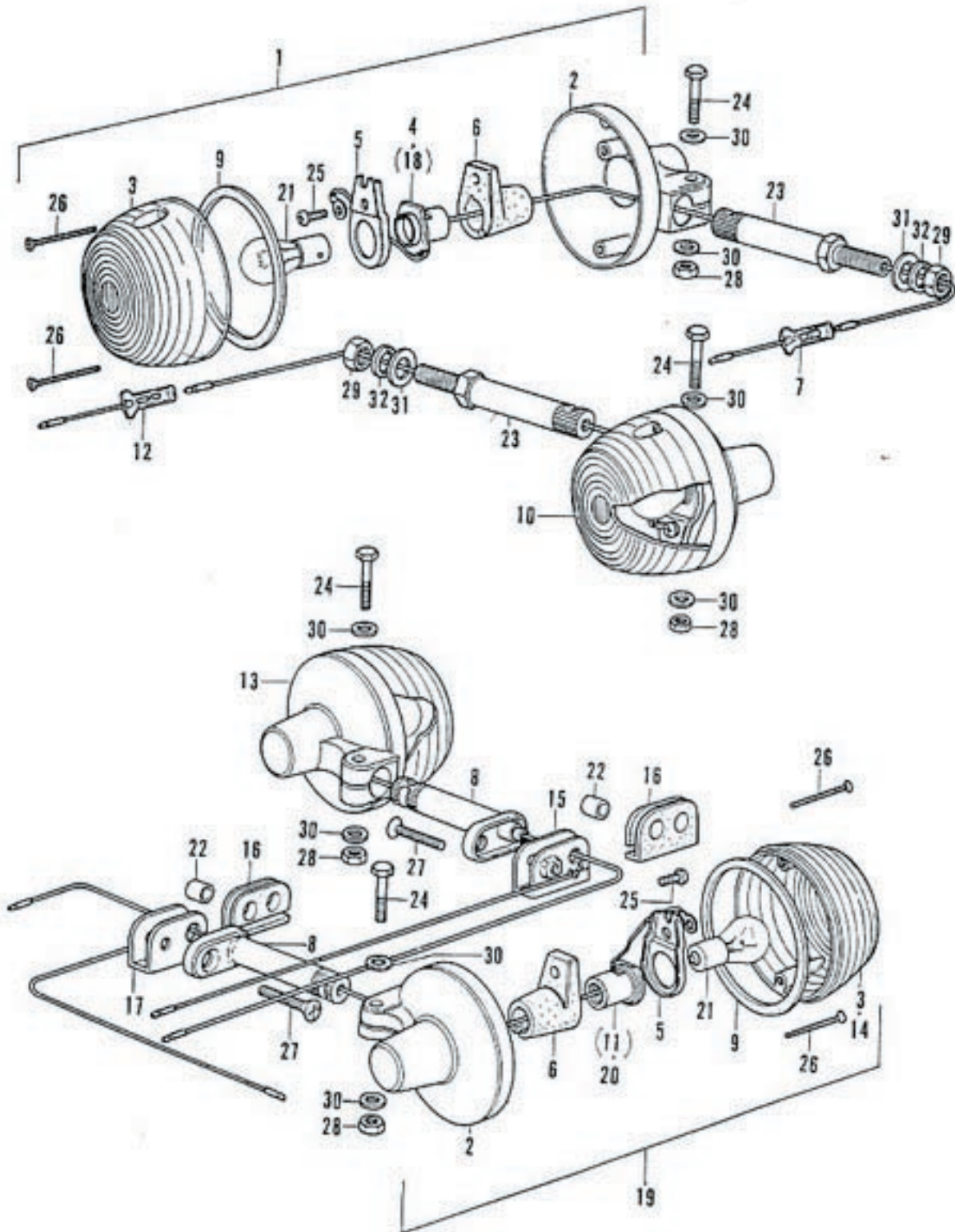
F-23 Winker
(Used in A, F, ED & D)



F-23 Winker
(Used in A, F, ED & D)

Ref. No.	Part No.	Description	Reqd. No. CB350F	Remarks
○ 1	33400-292-003	WINKER ASSY., right (Used in F)	1	
	33400-292-670	WINKER ASSY., right (Used in A & D).....	1	
○	33400-317-730	WINKER ASSY., right (Used in ED).....	1	
2	33401-292-003	BASE, winker	4	
3	33402-268-671	LENS, winker	4	
○	33402-268-671	LENS, winker (Used in ED)	2	
4	33402-292-003	SOCKET COMP., right winker	1	
5	33407-284-000	HOLDER, winker socket.....	4	
6	33408-284-000	RUBBER, winker cushion	4	
7	33410-292-000	SUB-CORD, right winker	1	
8	33441-333-000	STAY, rear winker	2	
9	33443-268-671	PACKING, winker lens	4	
○10	33450-292-003	WINKER ASSY., left (Used in F)	1	
	33450-292-670	WINKER ASSY., left (Used in A & D)	1	
○	33450-317-730	WINKER ASSY., left (Used in ED)	1	
11	33453-292-003	SOCKET COMP., left winker	1	
12	33460-292-650	SUB-CORD, left front winker	1	
13	33600-300-000	WINKER ASSY., right rear (Used in A & D) ...	1	
○	33600-333-620	WINKER ASSY., right rear (Used in F)	1	
○	33600-333-730	WINKER ASSY., right rear (Used in ED)	1	
○14	33602-323-631	LENS, winker (Used in ED)	2	
15	33605-333-000	STOPPER, right winker	1	
16	33606-074-010	RUBBER, rear winker mount	2	
17	33609-333-000	STOPPER, left winker	1	
18	33610-300-000	SOCKET COMP., right rear winker	1	
19	33650-333-000	WINKER ASSY., left rear	1	
○	33650-333-620	WINKER ASSY., left rear (Used in F)	1	
○	33650-333-730	WINKER ASSY., left rear (Used in ED)	1	
20	33660-333-003	SOCKET COMP., left rear winker	1	

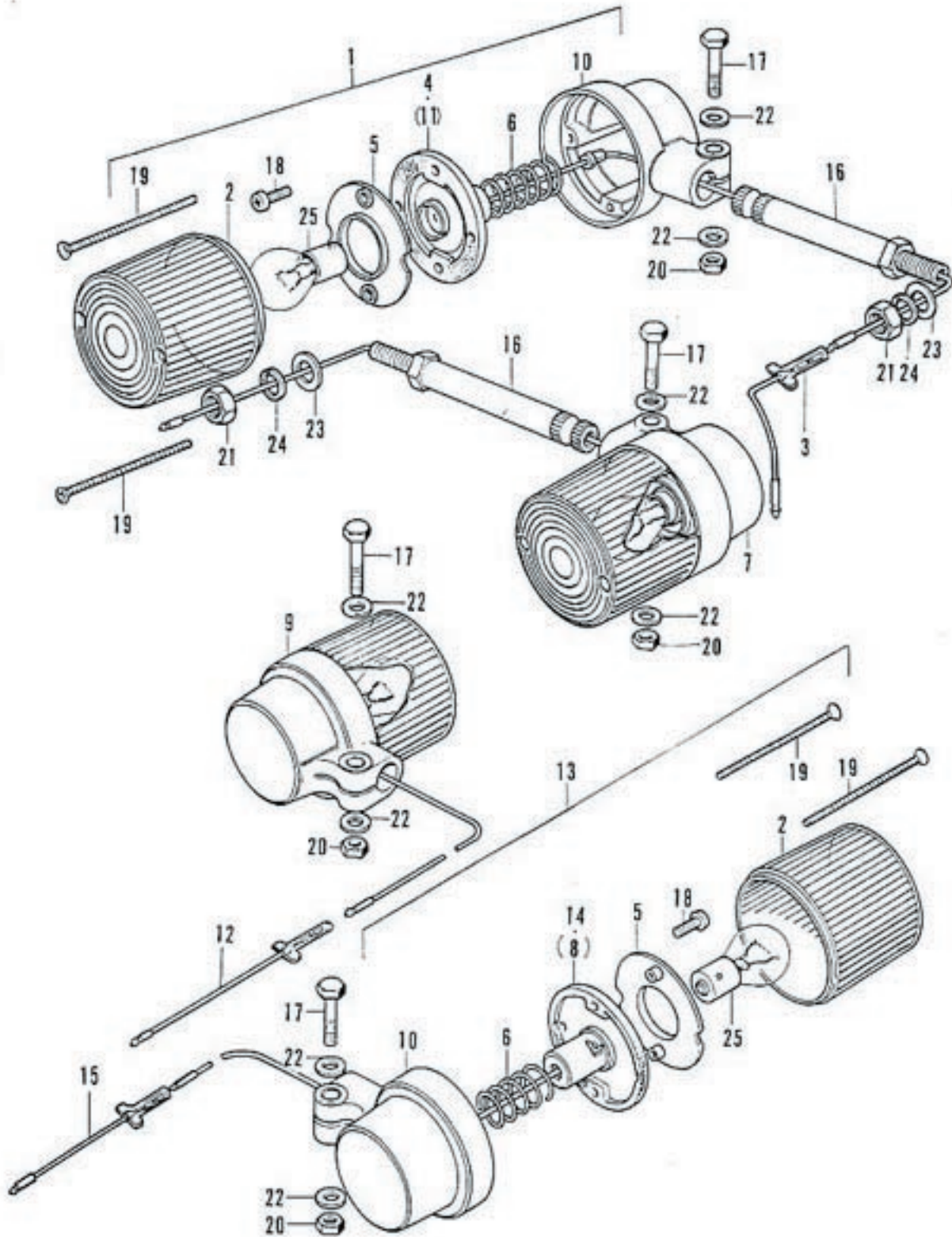
F-23 Winker
 (Used In A, F, ED & D)



F-23 Winker
(Used in A, F, ED & D)

Ref. No.	Part No.	Description	Reqd. No. CB350F	Remarks
21	34905-268-671	BULB, winker (12V 25W) (Used in A & D)	4	
O	34905-284-000	BULB, winker (12V 10W) (Used in F)	4	
O		BULB, winker (12V 18W) (Used in ED)	4	
		(To be locally purchased in ED)		
22	80108-061-010	COLLAR A, rear fender	2	
23	90154-268-670	BOLT, light case set	2	
O	90154-346-610	BOLT, front winker set (Used in ED)	2	
24	92000-06028-02	BOLT, hex., 6x28	4	
25	93500-05008-0A	SCREW, pan, 5x8	4	
26	93700-03025-0B	SCREW, oval, 3x25	8	
27	93700-06025-02	SCREW, oval, 6x25	2	
28	94001-06000	NUT, hex., 6 mm	4	
29	94001-10000-0S	NUT, hex., 10 mm	2	
30	94101-06000	WASHER, plain, 6 mm	8	
31	94101-10000	WASHER, plain, 10 mm	2	
32	94111-10000	WASHER, spring, 10 mm	2	

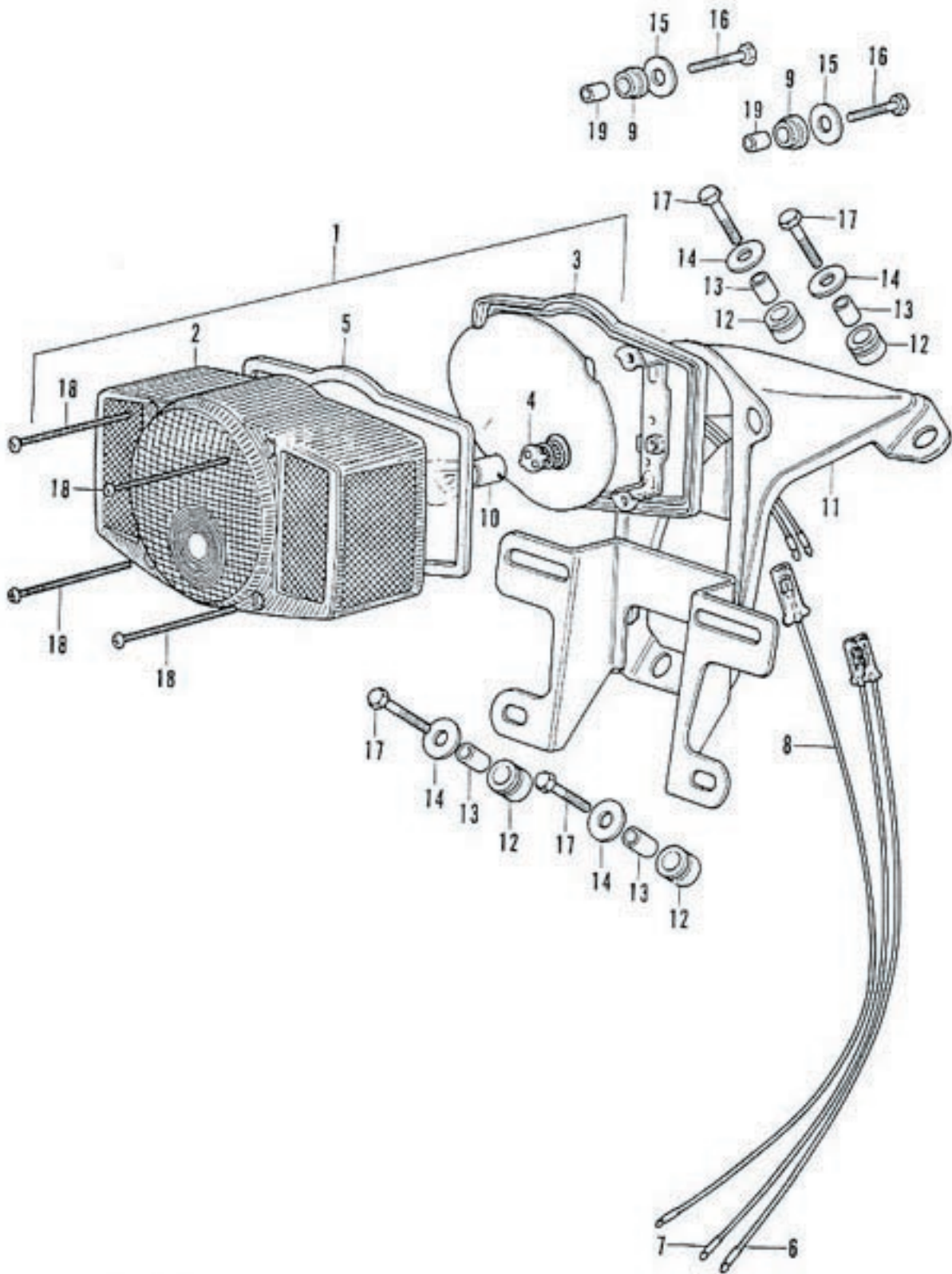
F-23 Winker
(Used in G)



F-23 Winker
(Used in G)

Ref. No.	Part No.	Description	Reqd. No. CB350F	Remarks
1	33400-292-611	WINKER ASSY., right front.....	1	
2	33402-268-610	LENS, winker	4	
3	33410-292-000	SUB-CORD, right winker	1	
4	33410-292-610	SOCKET ASSY., right front winker	1	
5	33411-285-000	RING	4	
6	33413-285-000	SPRING, coil	4	
7	33450-292-611	WINKER ASSY., left front	1	
8	33460-292-610	SOCKET ASSY., left front winker	1	
9	33600-292-610	WINKER ASSY., right rear	1	
10	33605-292-610	BASE, winker	4	
11	33610-292-610	SOCKET ASSY., right rear winker.....	1	
12	33616-304-650	SUB-CORD, right rear winker	1	
13	33650-292-610	WINKER ASSY., left rear	1	
14	33660-292-610	SOCKET ASSY., left rear winker	1	
15	33666-304-650	SUB-CORD, left rear winker.....	1	
16	90154-346-610	BOLT, front winker set	2	
17	92000-06028-02	BOLT, hex., 6x28	4	
18	93500-03010-0A	SCREW, pan, 3x10	8	
19	93700-03048-0B	SCREW, oval, 3x48	8	
20	94001-06000	NUT, hex., 6 mm	4	
21	94001-10000-0S	NUT, hex., 10 mm	2	
22	94101-06000	WASHER, plain, 6 mm.....	8	
23	94101-10000	WASHER, plain, 10 mm	2	
24	94111-10000	WASHER, spring, 10 mm	2	
25		BULB, winker (12V 18W)	1	
		(To be locally purchased in G)		

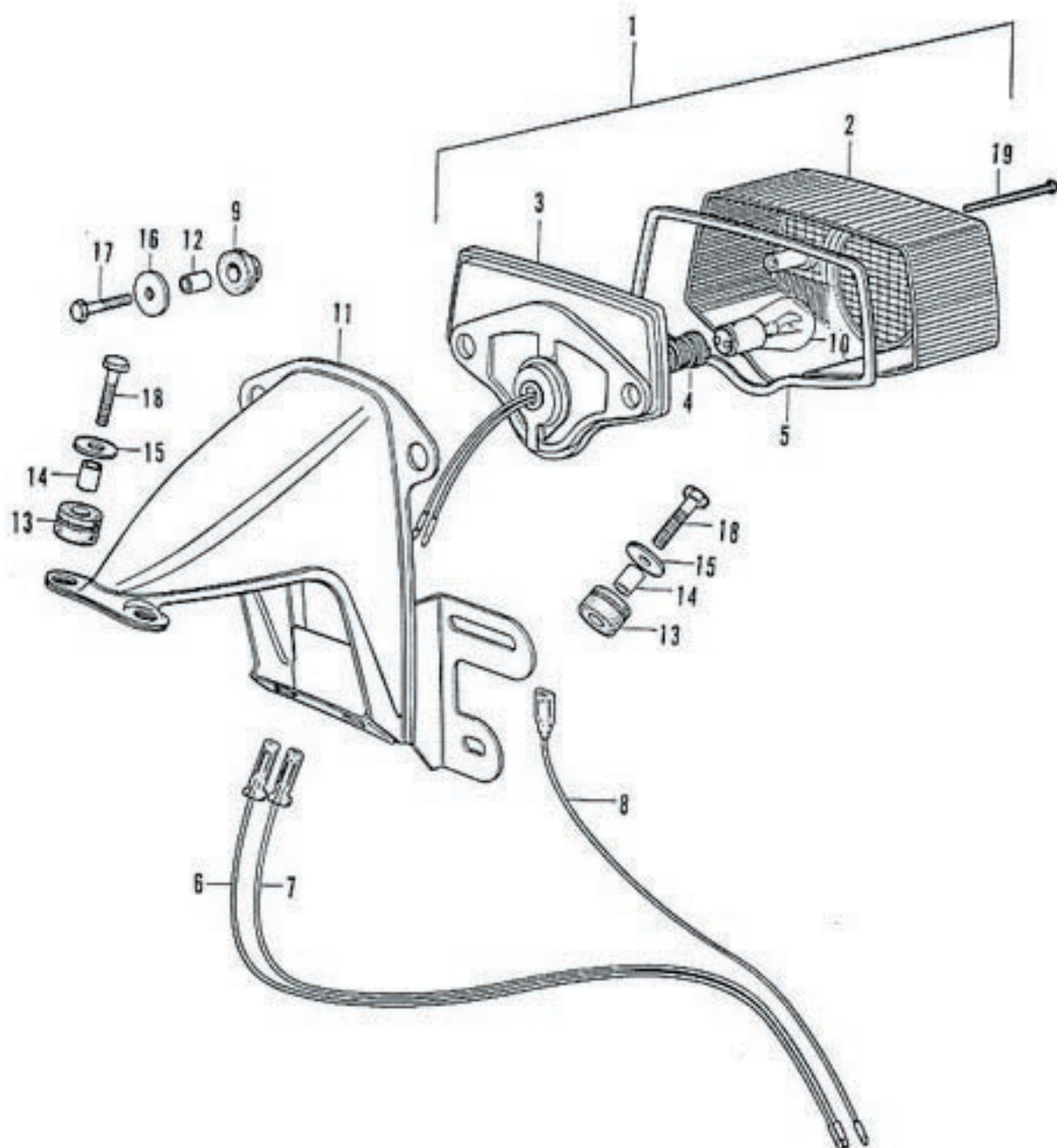
F-24 Tail Light
(Used in A & D)



F-24 Tail Light
(Used in A & D)

Ref. No.	Part No.	Description	Reqd. No. CB350F	Remarks
1	33701-342-671	UNIT, tail light	1	
2	33702-341-671	LENS, tail light	1	
3	33703-342-671	BASE COMP., tail light	1	
4	33708-341-671	CORD COMP., tail light.....	1	
5	33709-341-671	PACKING, tail lens	1	
6	33710-333-000	CORD, stop light	1	
7	33711-333-000	CORD, tail light.....	1	
8	33712-300-003	CORD, tail light earth	1	
9	33719-077-671	PACKING B, tail light base	2	
10	34906-313-671	BULB, tail & stop light (12V 23/8W).....	1	
11	84701-341-670XW	BRACKET, number plate (Chrome)	1	
12	84905-333-000	RUBBER, cushion	4	
13	84906-118-000	COLLAR, number bracket	4	
14	90525-030-000	WASHER B, handle holder setting	4	
15	30581-342-000	WASHER, 20 mm	2	
16	92000-05020-0A	BOLT, hex., 5x20.....	2	
17	92000-06025-02	BOLT, hex., 6x25.....	4	
18	93500-04055-0B	SCREW, pan, 4x55	4	
19	84706-342-000	COLLAR, tail light unit set	2	

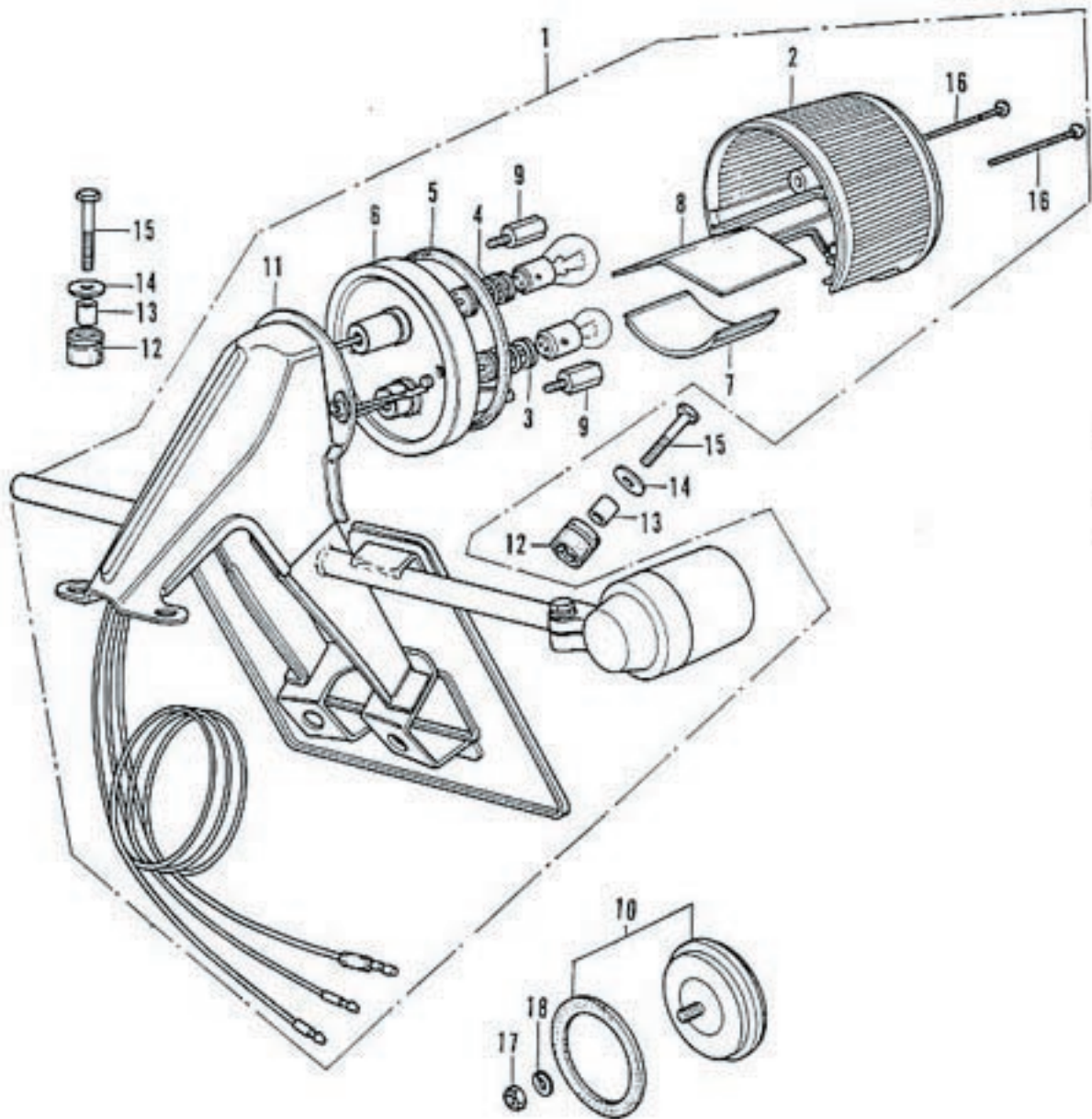
F-24 Tail Light
(Used in F & ED)



F-24 Tail Light
(Used in F & ED)

Ref. No.	Part No.	Description	Reqd. No. CB350F	Remarks
1	33701-333-620	UNIT, tail light	1	
2	33702-323-603	LENS, tail light	1	
3	33703-333-620	BASE COMP., tail light	1	
4	33708-077-671	CORD COMP., tail light	1	
5	33709-077-671	PACKING, tail light lens	1	
6	33710-333-000	CORD, stop light	1	
7	33711-333-000	CORD, tail light	1	
8	33712-300-003	CORD, tail light earth	1	
9	33719-077-671	PACKING B, tail light base	2	
10	34906-594-602	BULB, tail & stop light (12V 21/5W).....	1	
11	84701-333-620B	BRACKET, number plate	1	
12	84705-342-000	COLLAR, tail light unit set	2	
13	84905-333-000	RUBBER, cushion	4	
14	84905-118-000	COLLAR, number bracket	4	
15	90525-030-000	WASHER B, handle holder setting	4	
16	90581-342-000	WASHER, 20 mm	2	
17	92000-05020-0A	BOLT, hex., 5x20	2	
18	92000-06025-02	BOLT, hex., 6x25	4	
19	93500-04050-4J	SCREW, pan, 4x50	2	

F-24 Tail Light
(Used In G)



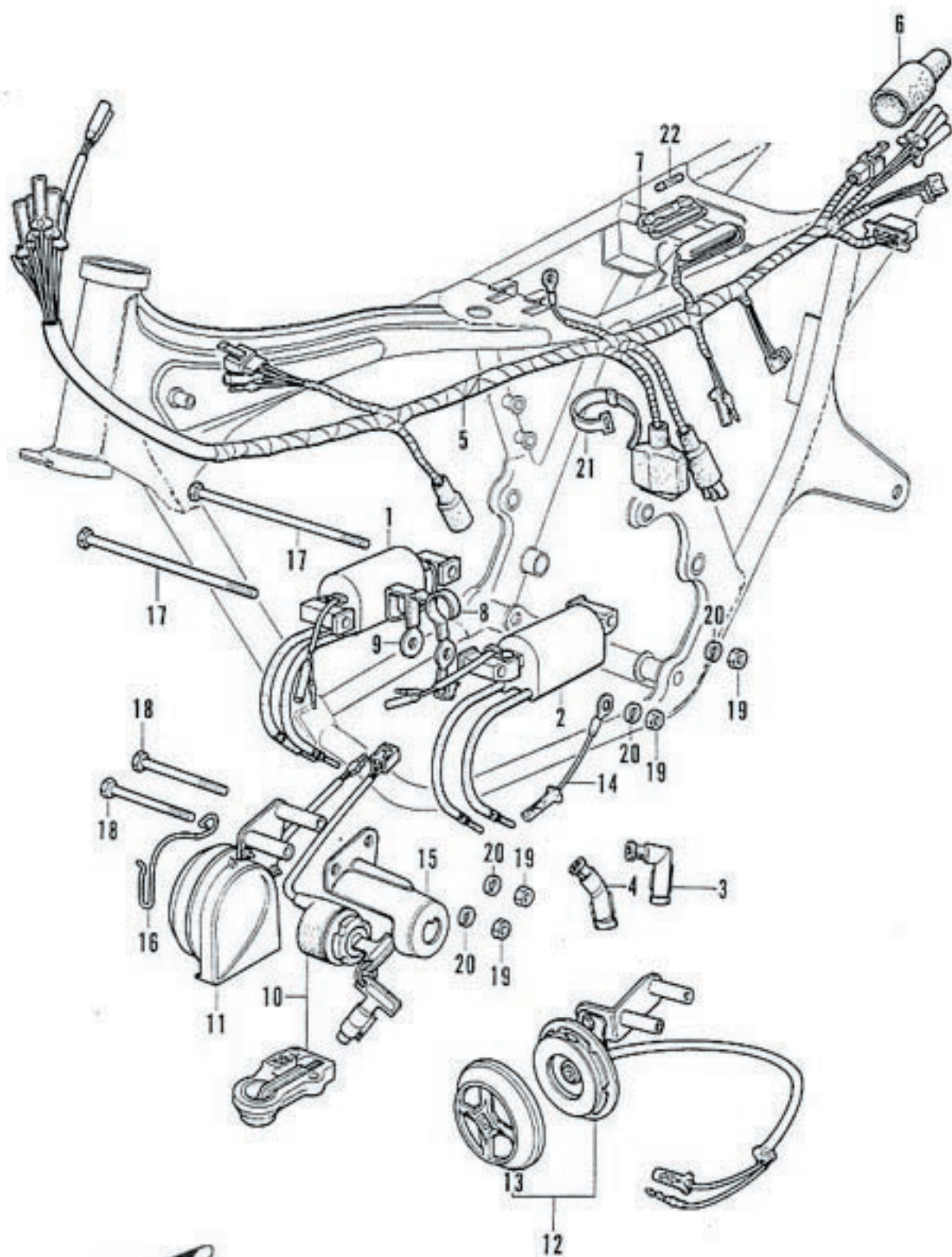
F-24 Tail Light
(Used in G)

Ref. No.	Part No.	Description	Reqd. No. CB350F	Remarks
1	33700-292-610	LIGHT ASSY., tail	1	
2	33701-051-000	LENS, tail & stop light	1	
3	33707-292-610	CORD, tail	1	
4	33708-292-610	CORD, stop	1	
5	33709-051-000	PACKING, tail light	1	
6	33710-292-610	SOCKET COMP., tail light	1	
7	33715-051-000	LENS, license	1	
8	33716-061-000	PLATE, interception	1	
9	33717-292-610	BOLT, tail light setting	2	
10	33741-333-610	REFLECTOR, rear reflex	1	
11	84701-292-610B	BRACKET, number plate (Black).....	1	
12	84905-333-000	RUBBER, cushion	4	
13	84906-118-000	COLLAR, number bracket	4	
14	90525-030-000	WASHER B, handle holder setting	4	
15	92000-06025-02	BOLT, hex., 6x25.....	4	
16	93500-03045-0B	SCREW, pan, 3x45	2	
17	94001-06000	NUT, hex., 6 mm	1	
18	94111-06000	WASHER, spring, 6 mm	1	

F-25 Battery · Electric

Ref. No.	Part No.	Description	Reqd. No. CB350F	Remarks
1	31400-333-004	REGULATOR ASSY. (NIPPON DENSO)	1	
2	31403-323-000	CUSHION, regulator	2	
3	31500-310-671	BATTERY ASSY. (12V 12AH).....	1	
4	31700-333-008	RECTIFIRE ASSY., silicon (SHINDENGEN)	1	
5	32401-333-000	CABLE, starter battery	1	
6	32412-333-000	COVER, battery terminal	1	
7	32601-286-000	CABLE, battery earth	1	
8	35850-306-670	SWITCH ASSY., starter magnetic	1	
9	35856-323-000	SUSPENSION, magnetic switch	1	
10	35857-333-000	COVER, magnetic switch	1	
11	35858-333-000	SUB-CORD, magnetic	1	
12	38300-292-670	RELAY ASSY., winker (Used in A)	1	
13	38300-300-000	RELAY ASSY., winker (Used in D)	1	
○	38300-300-610	RELAY ASSY., winker (Used in G & ED)	1	
○	38300-333-621	RELAY ASSY., winker (Used in F)	1	
14	38306-107-670	SUSPENSION, winker relay (Used in A).....	1	
15	84706-286-000	COLLAR, number bracket set	2	
16	90525-030-000	WASHER B, handle holder setting	2	
17	92000-06016	BOLT, hex., 6×16.....	2	
18	94001-06000	NUT, hex., 6 mm	2	
19	94001-08000-0S	NUT, hex., 8 mm	1	
20	94101-08000	WASHER, plain, 8 mm	1	
21	94111-06000	WASHER, spring, 6 mm	2	
22	95012-17000	BAND F, battery	1	

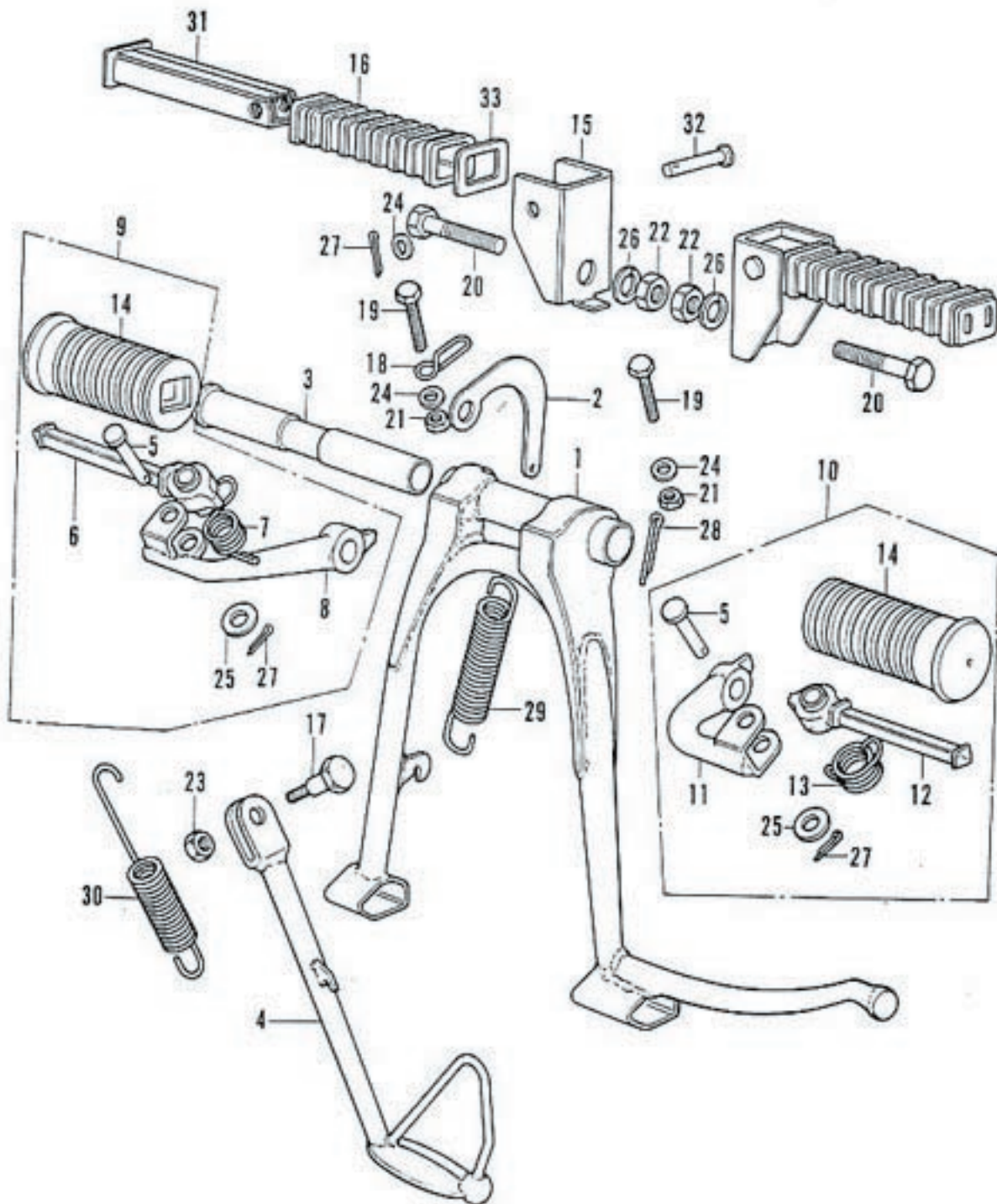
F-26 Wire Harness



F-26 Wire Harness

Ref. No.	Part No.	Description	Reqd. No. CB350F	Remarks
1	30510-333-013	COIL ASSY., right ignition (T.E.C.)	1	
2	30520-333-013	COIL ASSY., left ignition (T.E.C.)	1	
O 3	30700-300-010	CAP ASSY. A, noise suppresser (Used in A & D)	2	
O	30700-341-620	CAP ASSY. A, noise suppresser	2	
O 4	30701-323-013	CAP ASSY. C, noise suppresser (Used in A & D)	2	
O	30701-323-622	CAP ASSY. C, noise suppresser	2	
5	32100-333-000	HARNESS, wire.....	1	
6	32108-046-000	COVER, wire harness connector	1	
7	32120-323-000	CASE, 15A fuse.....	1	
8	32165-333-000	CLIP, wire harness	1	
9	32166-333-000	CLIP, coupler	1	
O10	35020-323-612	KEY-SET.....	1	
	35020-323-672	KEY-SET (Used in A & D)	1	
11	38100-333-003	HORN ASSY. (MITSUBA)	1	
O	38100-333-620	HORN ASSY. (Used in F).....	1	
O12	38100-333-732	HORN ASSY., (Used in ED).....	1	
O13	38101-341-630	COVER (Used in ED)	1	
14	38105-323-000	EARTH CORD, horn (Used in G, F, ED & D)...	1	
15	50375-333-010	BRACKET, main switch	1	
16	50462-333-000	CLAMP, tachometer cable	1	
O	50462-333-731	CLAMP, tachometer cable (Used in ED)	1	
17	90167-333-000	BOLT, hex., 6x130	2	
18	92000-06055	BOLT, hex., 6x65.....	2	
19	94001-06000	NUT, hex., 6 mm	4	
20	94111-06000	WASHER, spring, 6 mm	4	
21	95014-62200	BAND B2, wire	1	
22	98200-11500	FUSE, 15A	1	

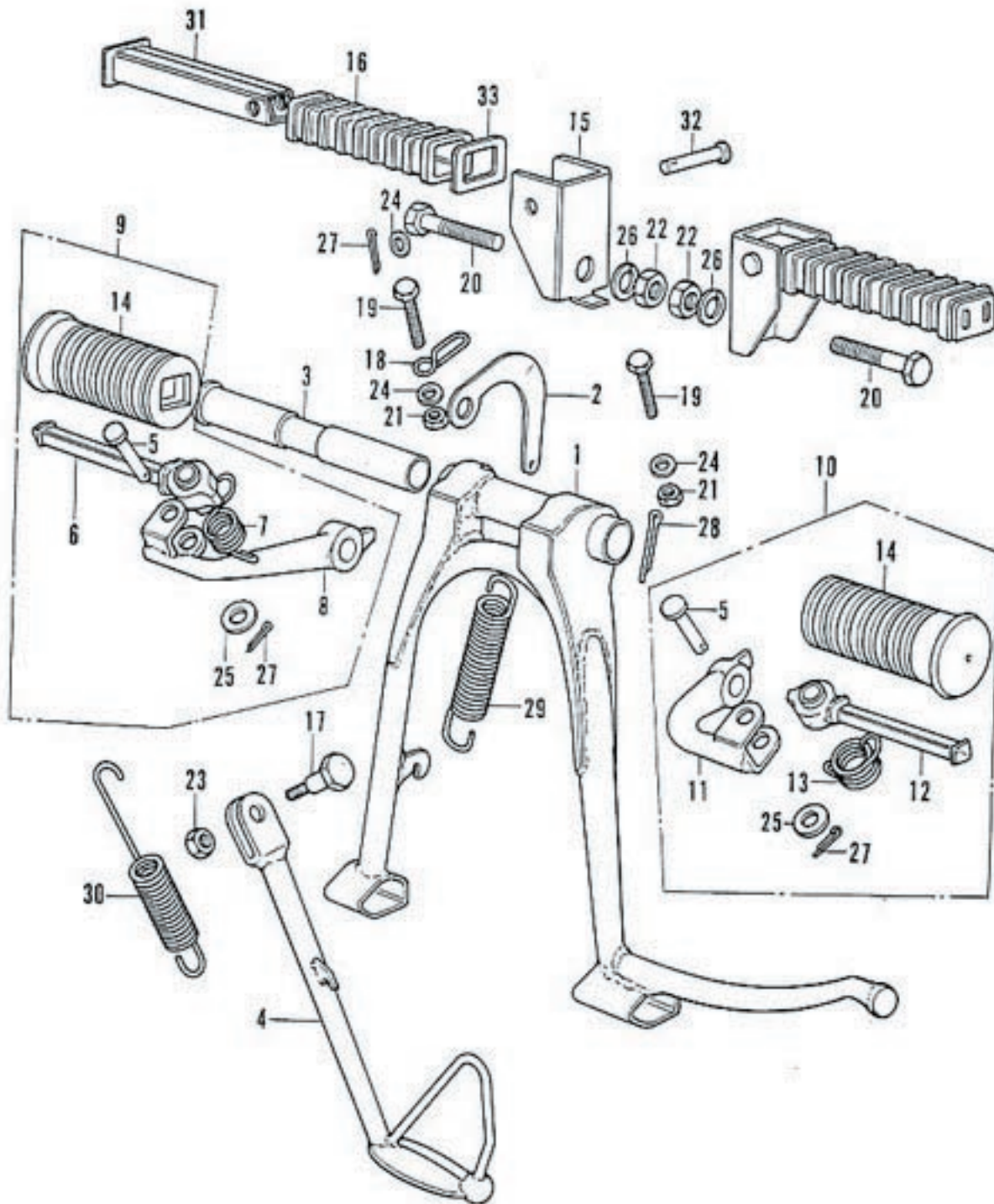
F-27 Main Stand - Step



F-27 Main Stand - Step

Ref. No.	Part No.	Description	Reqd. No. CB350F	Remarks
1	50500-333-000	STAND COMP., main	1	
2	50523-333-000	HOOK, main stand spring	1	
3	50526-286-000	PIPE, main stand pivot	1	
4	50530-333-020	BAR, side stand	1	
5	50603-033-000	PIN, step bar joint	2	
6	50616-310-000	ARM COMP., right step	1	
7	50617-283-000	SPRING, right step return	1	
8	50618-333-670	BAR COMP., right step	1	
9	50630-333-670	STEP ASSY., right	1	
10	50640-333-670	STEP ASSY., left	1	
11	50641-333-670	BAR COMP., left step	1	
12	50642-310-000	ARM COMP., left step	1	
13	50644-283-000	SPRING, left step return.....	1	
14	50661-333-000	RUBBER, step	2	
15	50713-333-000	BRACKET, pillion step	2	
16	50714-333-000	RUBBER, pillion step	2	
17	90103-283-000	SCREW, side stand pivot	1	
18	90514-333-000	GUIDE, battery breather pipe	1	
19	92000-06040	BOLT, hex., 6x40.....	2	
20	92000-10035-0A	BOLT, hex., 10x35	2	

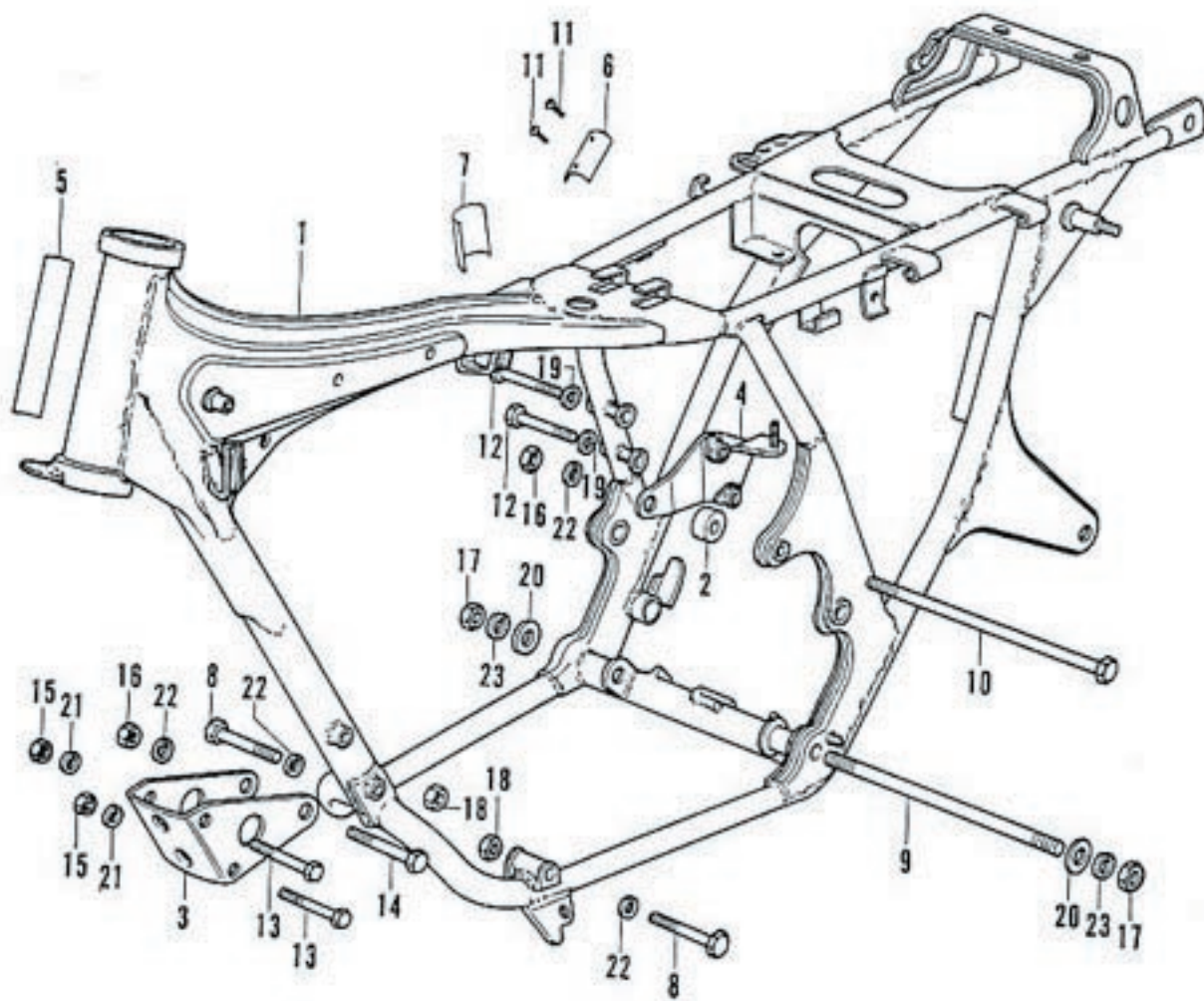
F-27 Main Stand - Step



F-27 Main Stand • Step

Ref. No.	Part No.	Description	Reqd. No. CB350F	Remarks
21	94001-06000	NUT, hex., 6 mm	2	
22	94001-10000-0S	NUT, hex., 10 mm	2	
23	94030-10000	NUT, hex., 10 mm	1	
24	94101-06000	WASHER, plain, 6 mm	4	
25	94101-08000	WASHER, plain, 8 mm	2	
26	94111-10000	WASHER, spring, 10 mm	2	
27	94201-16150	PIN, split, 1.6×15	4	
28	94201-25300	PIN, split, 2.5×30	1	
○29	95014-71701	SPRING, main stand	1	
30	95014-72401	SPRING D, side stand	1	
31	95015-62000	BAR B, pillion step	2	
32	95015-82000	PIN B, pillion step	2	
33	95015-91000	WASHER, pillion step	2	

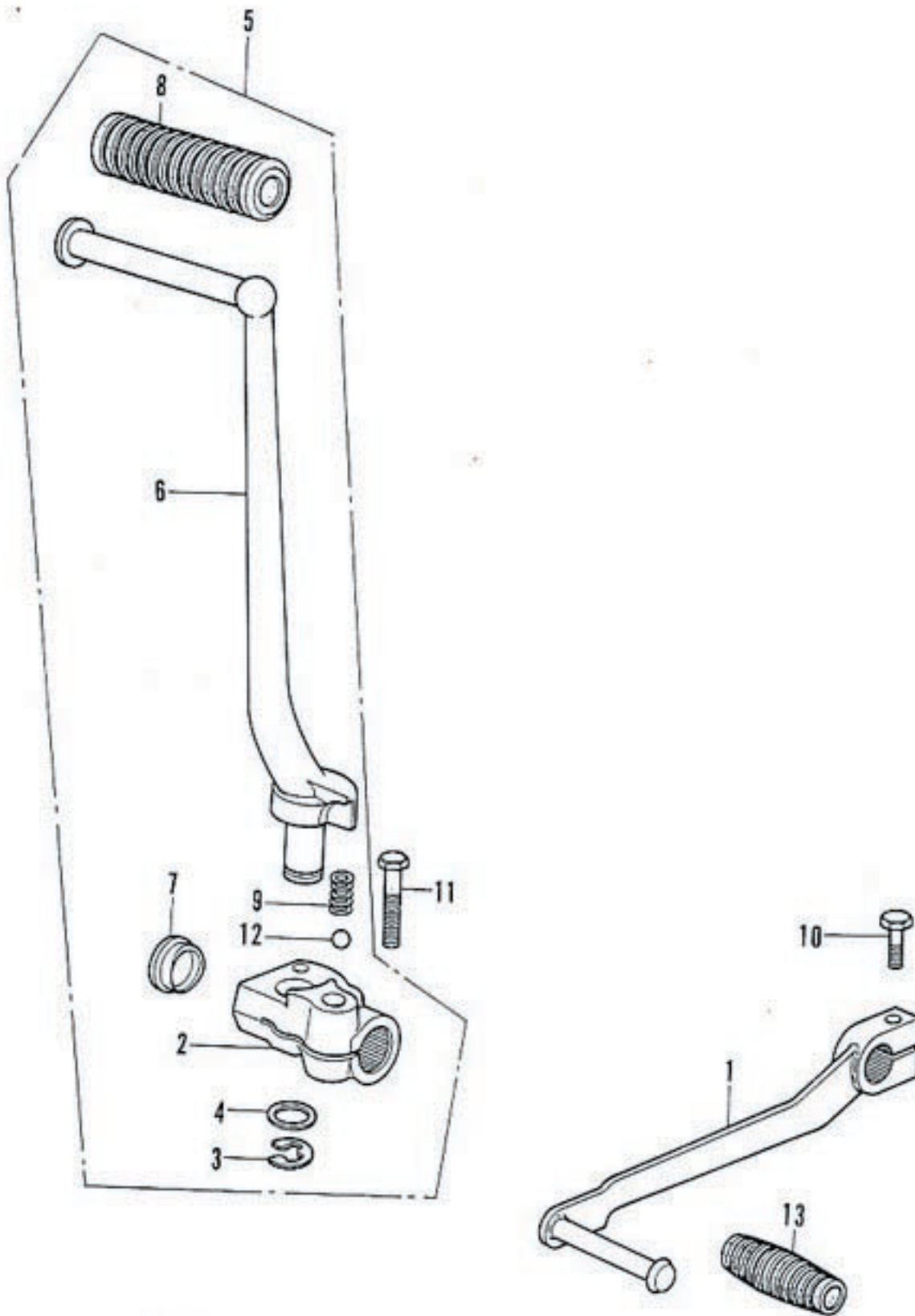
F-28 Frame Body



F-28 Frame Body

Ref. No.	Part No.	Description	Reqd. No. CB350F	Remarks
1	50100-333-010B	FRAME BODY COMP. (Black) (Used in A & D)	1	
○	50100-333-610B	FRAME BODY COMP. (Black)	1	
2	50329-285-010	COLLAR, engine side	1	
3	50351-333-000	BRACKET, front engine hanger	1	
4	50356-333-000	BRACKET, rear engine hanger	1	
5	87125-041-680	PLATE, name (Used in D).....	1	
○	87501-333-611	PLATE, registered number (Used in G)	1	
○	87501-333-620	PLATE, registered number (Used in F).....	1	
○	87501-333-730	PLATE, registered number (Used in ED).....	1	
7	87506-333-670	MARK, battery caution	1	
8	90106-333-000	BOLT, front engine lower hanger	2	
9	90107-333-000	BOLT, rear engine lower hanger.....	1	
10	90108-333-000	BOLT, rear engine upper hanger.....	1	
○11	90841-001-000	SCREW, riveting (Used in G, F & ED)	2	
12	92000-08065-0A	BOLT, hex., 8×65.....	2	
13	92000-08080-0A	BOLT, hex., 8×80.....	2	
14	92000-10080-0A	BOLT, hex., 10×80	1	
15	94001-08000-0S	NUT, hex., 8 mm	2	
16	94001-10000-0S	NUT, hex., 10 mm	2	
17	94001-12200	NUT, hex., 12 mm	2	
18	94030-10000	NUT, hex., 10 mm	2	
19	94102-08000	WASHER, plain, 8 mm	2	
20	94102-12000	WASHER, plain, 12 mm	2	
21	94111-08000	WASHER, spring, 8 mm	2	
22	94111-10000	WASHER, spring, 10 mm	4	
23	94111-12000	WASHER, spring, 12 mm	2	

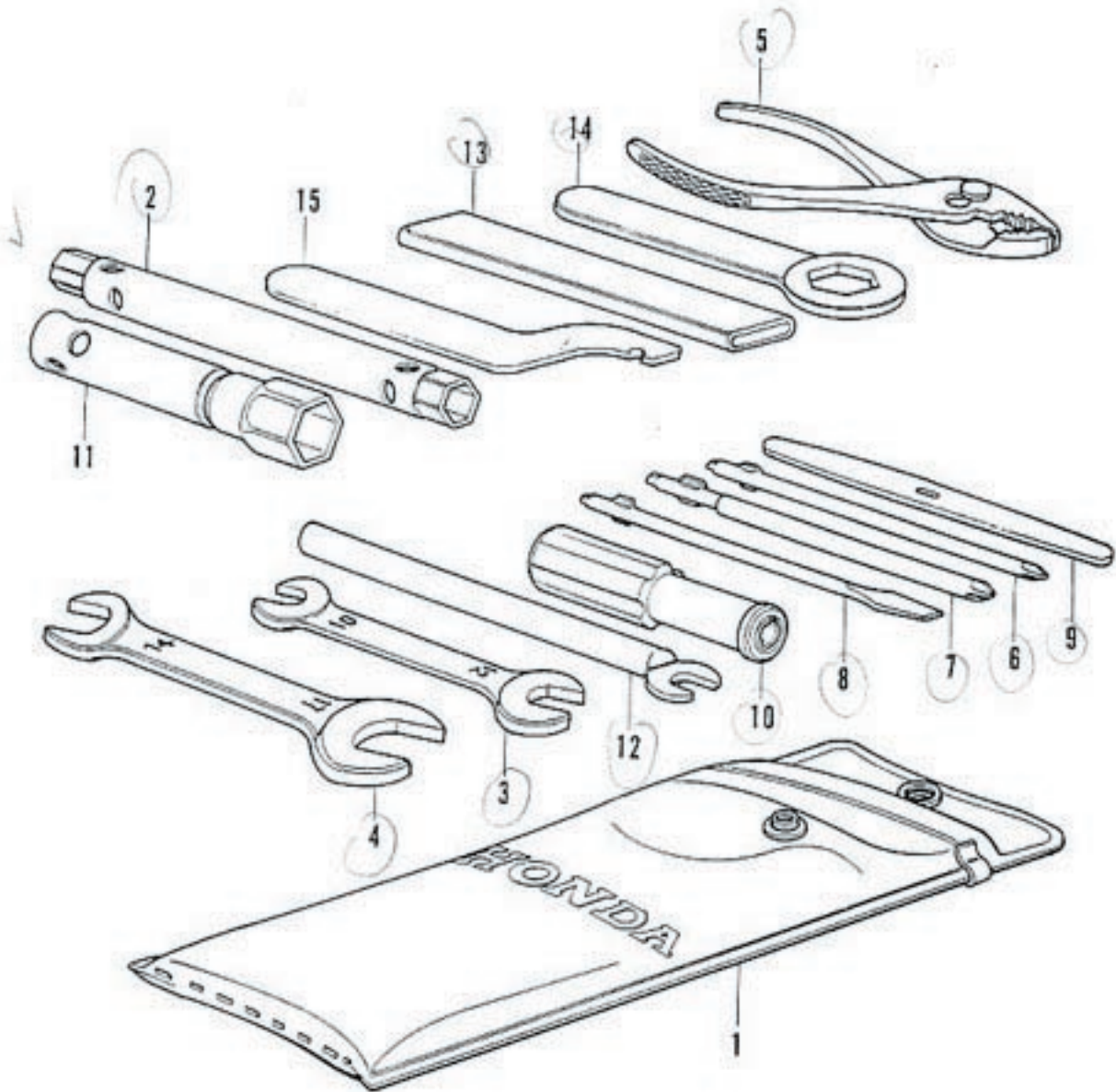
F-29 Kick Arm · Change Pedal



F-29 Kick Arm · Change Pedal

Ref. No.	Part No.	Description	Reqd. No. CB350F	Remarks
1	24700-333-000	PEDAL COMP., gear change.....	1	
2	28241-333-010	JOINT, kick arm	1	
3	28293-333-000	CLIP, kick starter arm	1	
4	28294-333-000	WASHER, kick arm	1	
5	28300-333-010	ARM COMP., kick starter	1	
6	28301-333-010	ARM, kick starter	1	
7	28305-333-010	CAP, kick arm	1	
8	28311-329-000	RUBBER, kick starter	1	
9	28333-333-000	SPRING, kick starter stopper.....	1	
10	92000-06020	BOLT, hex., 6×20.....	1	
11	92000-06035	BOLT, hex., 6×35.....	1	
12	96211-10000	BALL, steel, #10.....	1	
13	95011-40000	RUBBER, change pedal	1	

F-30 Tool



F-30 Tool

Ref. No.	Part No.	Description	Reqd. No. CB350F	Remarks
1	89101-300-010	BAG, tool.....	1	
2	89216-333-000	WRENCH, box, 10×12	1	
3	99001-10120	SPANNER, 10×12.....	1	
4	99001-14170	SPANNER, 14×17.....	1	
5	99002-13500	PLIERS, 135	1	
6	99003-10000	DRIVER, plus, #2	1	
7	99003-20000	DRIVER, plus, #3	1	
8	99003-30000	DRIVER, minus, #2	1	
9	99003-40000	LEVER	1	
10	99003-50000	GRIP	1	
11	99004-18002	WRENCH, plug box, 18.5	1	
12	99005-02000	SPANNER & HANDLE BAR, 8 mm	1	
13	99006-12000	HANDLE, eye wrench, 12	1	
14	99006-22000	WRENCH, eye, 22	1	
15	99007-45000	SPANNER, pin, 45 mm	1	

PART NO. INDEX

Part No.	Page	Part No.	Page	Part No.	Page
11000		13103-333-010	11	15331-300-000	43
11000-333-305	43	13104-333-010	11	15391-333-000	27
11208-333-000	43	13105-333-010	11	15411-333-000	15
11210-333-020	15	13111-087-000	11	15412-300-024	15
11291-333-000	43	13210-333-001	31	15414-300-000	15
11331-333-030	19	13210-333-002	31	15415-300-000	15
11341-333-000	27	13210-333-003	31	15420-333-000	15
11394-333-020	19	13210-333-004	31	15423-333-000	15
11398-333-020	15	13210-333-005	31	15473-300-300	15
11631-333-010	25	13210-333-006	31	15474-300-310	15
11632-333-010	25	13213-333-003	31	15477-300-300	15
11691-333-000	25	13214-300-000	31	15650-333-000	19
		13215-333-003	31	15761-303-000	3
		13216-333-003	31	15772-292-010	3
		13217-333-003	31		79
		13218-333-003	31		
12000		13219-333-003	31	16000	
12100-333-030	11	13300-333-010	31	16010-333-004	45
12191-333-010	11	13314-333-003	33	16011-329-004	45
12200-333-050	5	13315-333-003	33	16012-333-004	45
12200-333-060	5	13316-333-003	33	16013-333-004	45
12202-333-315	5	13317-333-003	33	16014-333-004	45
12203-333-325	5	13318-333-003	33	16015-333-004	45
12209-333-005	5	13319-333-003	33	16016-333-004	45
12251-333-003	5	13492-283-000	37	16017-333-004	45
12310-333-020	3			16018-333-004	45
12320-333-020	3	14000		16023-333-004	45
12329-333-010	3	14101-333-020	9	16025-333-004	45
12361-300-000	3	14321-333-000	13	16028-333-004	45
12391-333-000	3	14401-333-003	13	16029-323-004	45
12431-333-010	3	14431-333-000	9	16030-323-004	45
12435-333-000	3	14435-333-000	9	16031-333-004	45
12901-333-000	11	14451-333-000	9	16035-333-004	45
12903-333-000	5	14500-333-020	13	16036-323-004	45
12904-333-000	5	14501-323-000	13	16100-333-004	45
12905-333-000	5	14530-333-000	13	16101-333-004	45
12909-333-000	11	14541-333-020	13	16102-333-004	45
12910-333-000	11	14543-333-000	13	16103-333-004	45
		14545-333-000	13	16104-333-004	45
		14550-333-000	13	16111-333-004	45
13000		14620-333-000	13	16112-333-004	45
13011-333-003	11	14711-333-000	9	16173-253-004	5
13011-333-004	11	14721-333-000	9	16199-333-004	47
13011-333-005	11	14751-333-000	9	16212-333-030	5
13012-333-003	11	14751-333-010	9	16213-333-030	5
13012-333-004	11	14761-333-000	9	16290-333-000	45
13012-333-005	11	14761-333-010	9	16952-268-000	71
13013-333-003	11	14771-107-020	9	16953-268-020	71
13013-333-004	11	14775-107-000	9	16955-268-020	71
13013-333-005	11	14776-107-010	9	16957-268-010	71
13014-333-003	11	14781-107-020	9	16957-333-025	71
13014-333-004	11			16958-268-010	71
13014-333-005	11	15000		16960-268-010	71
13015-333-003	11	15100-333-010	27	16961-268-010	71
13015-333-004	11	15151-333-000	15	16993-011-000	71
13015-333-005	11	15152-333-000	15	16997-273-006	71
13021-333-305	11	15153-333-000	15		
13031-333-305	11	15155-333-000	15		
13041-333-305	11	15157-333-000	15		
13051-333-305	11				
13101-333-010	11				
13102-333-010	11				

PART NO. INDEX

PART NO. INDEX

Part No.	Page	Part No.	Page	Part No.	Page
17000		22000		24435-333-000	
17210-333-015	79	22100-333-040	21	24436-333-010	39
17210-333-610	79	22116-333-020	21	24440-333-000	39
17216-333-010	79	22120-333-040	21	24610-333-010	39
17230-333-010	79	22125-333-000	21	24641-333-000	39
17230-333-610	79	22201-302-000	21	24651-333-000	39
17235-333-000	79	22201-333-010	21	24652-035-000	39
17236-333-000	79	22321-333-010	21	24660-333-020	39
17240-333-000	79	22350-333-010	21	24667-333-020	39
17241-333-000	79	22360-333-010	21	24700-333-000	123
17242-333-000	79	22401-268-000	21		
17245-107-010	79	22402-333-003	21	25000	
17252-333-000	79	22810-333-030	19	25911-500-000	13
17255-246-000	5	22815-333-000	19		
17255-333-000	79	22821-107-000	19	28000	
17256-333-000	79	22831-333-010	19		
17260-333-000	79	22850-333-000	21	28101-333-000	29
17300-333-000	79	22870-333-000	51	28106-333-000	29
17335-323-000	79	22870-333-610	51	28111-333-310	35
17500-333-610LY	71			28121-333-300	35
17500-333-610NQ	71	23000		28122-333-300	35
17500-333-620LY	71	23101-333-030	35	28125-253-020	35
17500-333-620NQ	71	23102-333-010	35	28126-253-030	35
17500-333-671LY	71	23104-333-020	21	28211-333-020	23
17500-333-671NQ	71	23108-333-020	21	28221-333-010	23
17500-333-671PJ	71	23110-333-000	35	28241-333-010	123
17510-323-310	71	23111-333-000	35	28251-333-010	23
17513-300-300	71	23112-333-000	35	28259-333-010	23
17514-323-300	71	23114-323-000	35	28261-333-030	23
17515-300-300	71	23131-323-000	35	28271-333-000	23
17517-300-340	71	23132-333-010	35	28293-333-000	123
17534-323-300	71	23211-333-030	37	28294-333-000	123
17611-286-000	71	23220-333-010	37	28300-333-010	123
17613-333-010	71	23311-200-000	21	28301-333-010	123
17681-333-000	71	23420-333-000	37	28305-333-010	123
17910-333-000	49	23421-333-010	37	28311-329-000	123
17910-333-610	49	23451-333-000	37	28333-333-000	123
17920-333-000	49	23461-333-010	37		
17920-333-610	49	23471-333-000	37	30000	
		23481-333-000	37	30200-333-004	17
18000		23491-333-020	37	30201-333-004	17
18231-333-010	81	23501-333-000	37	30203-333-004	17
18233-303-010	81	23801-333-000	37	30204-333-004	17
18291-028-000	81	23811-292-000	37	30205-028-004	17
18300-333-010	81			30215-333-004	17
18300-333-610	81	24000		30220-333-004	17
18325-333-000	81	24211-333-020	39	30233-333-000	17
18400-333-010	81	24216-333-020	39	30250-333-004	17
18400-333-610	81	24221-333-020	39	30370-323-000	17
18425-333-000	81	24226-333-020	39	30372-300-300	17
18472-300-000	81	24231-333-010	39	30510-333-013	115
18473-300-000	81	24261-283-000	37	30520-333-013	115
18500-333-010	81	24300-333-000	39	30700-300-010	115
18500-333-610	81	24301-333-010	39	30700-341-620	115
18600-333-010	81	24304-333-030	39	30701-323-013	115
18600-333-610	81	24321-333-010	39	30701-323-622	115
		24326-300-000	39		
		24430-333-000	39		

PART NO. INDEX

Part No.	Page	Part No.	Page	Part No.	Page
31000		33170-286-611	97	33711-333-000	107
31101-333-004	25	33400-292-003	101	33712-300-003	107
31102-333-004	25	33400-292-611	105		109
31103-333-004	25	33400-292-670	101	33715-051-000	111
31110-333-000	25	33400-317-730	101	33716-051-000	111
31200-333-000	29	33401-292-003	101	33717-292-610	111
31201-230-174	29	33402-268-610	105	33719-077-671	107
31204-225-154	29	33402-268-671	101		109
31206-286-158	29	33402-292-003	101	33741-333-610	111
31400-333-004	113	33407-284-000	101	33741-340-670	63
31403-323-000	113	33408-284-000	101	33743-341-670	63
31500-310-671	113	33410-292-000	101		
31503-044-670	77		105	34000	
31700-333-008	113	33410-292-610	105	34902-259-000	53
		33411-285-000	105	34902-259-000	93
		33413-285-000	105	34905-268-671	103
		33441-333-000	101	34905-284-000	103
32000		33443-268-671	101	34906-313-671	107
32100-333-000	115	33450-292-003	101	34906-594-602	109
32108-046-000	115	33450-292-611	105		
32111-333-000	43	33450-292-670	101	35000	
32112-333-000	19	33450-317-730	101	35020-323-612	115
	43	33453-292-003	101	35020-323-672	115
32113-333-000	27	33460-292-610	105	35150-333-620	97
32120-323-000	115	33460-292-650	101	35151-292-751	99
32165-333-000	115	33600-292-610	105	35152-268-000	97
32166-333-000	115	33600-300-000	101	35153-268-000	97
32401-333-000	113	33600-333-620	101	35153-268-000	97
32410-333-000	29	33600-333-730	101	35154-268-000	97
32411-253-000	29	33602-323-631	101		99
32412-333-000	113	33603-053-650	79	35250-300-033	51
32601-286-000	113	33605-292-610	105	35250-323-013	51
32983-011-000	91	33605-333-000	101	35300-333-610	49
32985-300-000	91	33606-074-010	101	35300-333-671	49
		33609-333-000	101	35303-333-610	97
		33610-292-610	105		99
		33610-300-000	101	35315-235-000	49
33000		33616-304-650	105	35317-001-310	49
33100-286-611	97	33650-292-610	105	35317-001-310	51
33100-286-622	99	33650-333-000	101	35317-310-810	51
33100-333-671	95	33650-333-620	101	35318-259-000	49
33101-283-601	97	33650-333-730	101		51
33101-286-621	99	33660-292-610	105	35350-300-006	57
33101-333-670	95	33660-333-003	101	35350-300-016	57
33103-333-000	95	33666-304-650	105	35350-336-000	83
33107-333-000	95	33700-292-610	111	35357-011-000	83
33108-268-000	97	33701-051-000	111	35500-333-004	27
	99	33701-333-620	109	35510-333-000	27
33109-333-680	95	33701-342-671	107	35750-333-013	25
	97	33702-323-603	109	35751-333-003	25
	99	33702-341-671	107	35755-333-010	25
33115-283-601	97	33703-333-620	109	35850-306-670	113
33115-286-621	99	33703-342-671	107	35856-323-000	113
33117-292-003	95	33707-292-610	111	35857-333-000	113
33120-283-601	97	33708-077-671	109	35858-333-000	113
33120-286-621	99	33709-292-610	111		
33120-333-670	95	33709-341-671	107		
33125-087-761	95	33709-051-000	111		
33128-200-033	95	33709-077-671	109		
33130-286-611	97	33709-341-671	107		
33130-286-622	99	33710-292-610	111		
33130-333-000	95	33710-333-000	107		
			109		

PART NO. INDEX

Part No.	Page	Part No.	Page	Part No.	Page
37000		42000		45115-323-010	59
37211-333-008	93	42301-286-010	83	45116-323-010	59
37212-333-000	93	42311-286-000	85	45116-323-020	59
37212-455-000	93	42313-286-000	83	45117-300-020	59
37213-333-000	93	42601-333-000	85	45119-333-000	59
37213-455-000	93	42620-286-000	85	45120-317-701	59
37230-333-672	93	42625-286-000	85	45125-300-020	57
37230-333-680	93	42701-286-003	85	45126-300-611	57
37240-333-008	93	42711-323-013	85	45126-333-000	57
37242-323-701	93	42712-268-000	61	45127-323-000	57
37243-323-000	93	42712-287-000	85	45128-317-701	57
37243-457-000	93	42713-268-000	61	45133-240-000	83
37244-307-670	93			45133-329-000	83
37260-333-000	93			45134-250-000	83
37576-323-000	53	43000		45140-333-000	59
37577-333-000	53	43100-333-000	83	45146-300-000	57
37579-323-000	53	43120-286-000	83	45224-579-013	59
37581-333-000	53	43141-286-010	83	45225-579-013	59
38000		43410-286-000	83	45451-283-000	67
38100-333-003	115	43431-333-000	89	45500-333-670	55
38100-333-620	115	43434-286-000	83	45500-346-620	55
38100-333-732	115	43451-316-670	83	45500-346-680	55
38101-341-630	115			45502-300-305	55
38105-323-000	115	44000		45504-300-003	55
38205-115-000	77	44301-312-000	61	45505-300-003	55
38300-292-670	113	44311-300-000	61	45506-300-003	55
38300-300-000	113	44601-317-702	61	45512-300-003	55
38300-300-610	113	44606-283-000	61	45513-341-671	55
38300-333-621	113			45513-341-770	55
38306-107-670	113	44607-283-000	85	45517-300-003	55
40000		44608-283-000	61	45520-300-000	55
40510-333-000	89	44609-283-000	85	45521-300-010	55
40514-333-000	89			45522-300-010	57
40530-333-003	89	46000		45526-341-000	55
40530-333-005	89	46125-533-003	85	45527-300-000	55
40531-333-003	89	46140-533-003	61		
40531-333-005	89	46500-333-010	61	46000	
40543-312-010	89	46514-333-000	61	46125-533-003	55
40548-268-000	89	46515-333-000	61	46140-533-003	55
41000		44701-317-701	61	46500-333-010	83
41123-516-000	27	44711-333-003	61	46514-333-000	83
41200-333-000	85	44800-317-700	61	46515-333-000	83
41202-286-000	85	44830-323-000	93		
41211-333-000	85	44831-323-000	93	50000	
41231-286-000	85	44831-333-000	93	50100-333-0108	121
41241-286-000	85			50100-333-6108	121
45000		45000		50301-268-305	69
45100-323-043	59	45100-323-043	59	50302-268-305	69
45101-323-013	59	45101-323-013	59	50329-286-010	121
45102-323-003	59	45102-323-003	59	50351-333-000	121
45104-317-700	59	45104-317-700	59	50356-333-000	121
45105-323-043	59	45105-323-043	59	50375-333-010	115
45106-323-006	59	45106-323-013	59	50400-333-000	91
45106-323-013	59	45107-323-020	59	50400-333-610	91
45107-323-020	59	45108-300-003	59	50462-333-000	115
45108-300-003	59			50462-333-731	115
				50500-333-000	117
				50523-333-000	117
				50526-286-000	117

PART NO. INDEX

Part No.	Page	Part No.	Page	Part No.	Page
50530-333-020	117	52517-331-003	87	80000	
50603-033-000	117			80100-333-000XW	91
50616-310-000	117			80100-333-610XW	91
50617-283-000	117	53000		80100-333-730XW	91
50618-333-670	117			80105-333-000	91
50630-333-670	117	53100-333-000	53	80108-061-010	103
50640-333-670	117	53100-333-611	53	80121-317-731	91
50641-333-670	117	53124-250-000	69		
50642-310-000	117	53133-323-010	53		
50644-283-000	117	53141-300-010	49		
50661-333-000	117	53163-300-020	49		
50713-333-000	117	53165-342-670	49	83000	
50714-333-000	117	53166-342-670	51	83501-333-020	77
		53170-333-000	55	83502-333-000	77
51000		53190-286-670	51	83600-333-010LY	77
		53190-300-000	49	83600-333-010NQ	77
51400-333-000	63	53191-300-000	49	83600-333-010PJ	77
51401-333-000	63	53192-268-000	51	83601-333-000	77
51402-333-000	63	53200-333-000B	69	83618-323-000	79
51410-317-700	63	53200-333-610B	69	83621-333-000	77
51413-317-700	63	53208-317-700	57	83700-333-010LY	77
51421-333-000	63	53211-268-305	69	83700-333-010NQ	77
51430-333-000	63	53212-250-305	69	83700-333-010PJ	77
51461-317-701	63	53215-250-000	69	83701-333-000	77
51500-333-000	63	53215-317-000	69	83703-333-000	77
51521-333-000	63	53220-286-000	69	83704-333-000	77
51601-317-700	63	53225-333-000	69	83705-333-000	77
51602-333-000LY	63	53226-333-000	69		
51602-333-000NQ	63	53231-333-000	53		
51602-333-000PJ	63	53631-268-020	69	84000	
51606-333-000LY	63			84701-292-610B	111
51606-333-000NQ	63	61000		84701-333-620B	109
51606-333-000PJ	63			84701-341-670XW	107
51608-286-010	63	61100-333-000XW	67	84706-286-000	113
51611-344-670LY	63	61301-333-003B	95	84706-342-000	107
51611-344-670NQ	63	61301-333-610B	97		
51611-344-670PJ	63			84905-333-000	107
51612-333-000LY	63	61302-292-000	95		
51612-333-000NQ	63	61303-336-000	95		
51612-333-000PJ	63	61304-292-000	95	84906-118-000	107
51622-286-010	63	61305-333-010	95		
		61306-333-003	95		
52000					
		77000		87000	
52100-333-000B	89	77103-313-000	75	87121-333-000	73
52108-333-003	89	77200-333-000A	75	87122-333-000	73
52109-283-300	89	77201-074-000	75	87125-041-680	121
52136-333-000	89	77201-333-000	75	87128-333-000	77
52141-333-000	89	77201-333-000	75	87129-333-000	77
52144-283-010	89	77204-312-000	75	87311-516-000	73
52145-283-000	89	77211-323-300	75	87501-333-611	121
52400-333-000XW	87	77212-323-300	75	87501-333-620	121
52401-317-700	87	77220-340-011	75	87501-333-730	121
52403-317-700	87	77228-340-001	75	87504-028-670	89
52410-333-000	87	77229-340-001	75	87506-333-670	121
52421-292-670XW	87	77230-347-003	75	87507-333-610	91
52422-331-003	87	77251-342-000	77	87507-333-670	91
52424-331-003	87			87507-333-680	91
52458-317-700	87			87560-323-611A	73
52482-331-003	87			87560-323-611B	73
52484-292-000	87				

PART NO. INDEX

Part No.	Page	Part No.	Page	Part No.	Page
87560-323-621A	73	90305-333-000	61	91201-323-005	33
87560-323-621B	73	90307-283-000	89	91201-324-010	3
87560-323-670A	73	90309-315-000	87	91204-259-000	19
87560-323-670B	73	90313-512-000	77	91205-333-005	37
		90321-315-670	51	91206-286-005	41
		90354-268-000	89	91206-286-013	41
88000		90411-333-000	37	91206-333-003	19
		90433-283-000	29	91207-333-010	37
88100-333-004	49	90435-333-000	41	91252-300-003	61
88100-333-610	49	90441-333-000	5	91253-286-013	85
88110-304-621	49	90443-107-000	5	91254-333-010	65
88120-304-621	51	90451-300-000	37	91255-312-003	65
88120-333-004	51	90452-323-000	5	91259-333-000	59
88120-333-610	51	90454-107-000	23	91301-200-000	5
		90455-333-010	21	91301-333-000	5
89000		90457-333-000	3	91301-704-000	19
		90458-324-010	3	91302-001-020	3
89101-300-010	125	90471-333-000	19	91302-028-000	15
89216-333-000	125	90474-333-000	13		27
		90500-455-000	93	91302-044-010	27
		90501-040-000	79	91302-317-700	61
90000		90501-310-000	51	91303-333-000	85
		90503-283-000	69	91305-216-000	11
90012-333-000	9	90512-300-000	91	91305-333-000	7
90013-333-010	21	90514-333-000	117	91309-300-000	29
90014-333-000	25	90514-700-000	75	91314-220-000	43
90016-286-000	13	90518-921-000	53	91316-300-003	15
90017-333-000	43	90522-286-000	85	91317-703-000	13
90018-333-000	3	90522-317-700	59	91319-300-000	43
90031-333-000	43	90523-286-000	85	91329-590-003	15
90032-333-000	43	90524-030-000	83	91354-702-000	19
90044-333-300	5	90525-030-000	93		
90081-246-000	13		107	99000	
90081-312-000	13		109		
90081-512-010	29		111		
90082-333-000	43	90526-216-000	113	99124-076-0350	47
90084-333-000	3	90527-230-000	89	99124-076-0380	47
90086-333-000	43	90543-273-000	87	99202-601-0680	47
90106-333-000	121	90544-283-000	65	99202-601-0700	47
90107-333-000	121	90545-300-000	65	99202-601-0720	47
90108-283-000	117	90549-121-000	57	99202-601-0750	47
90108-333-000	121	90555-283-000	83	99202-601-0780	47
90114-300-000	55	90581-342-000	53	99202-601-0800	47
90114-310-000	51		107		
90116-283-010	63	91000	109		
90119-283-000	89	90601-300-000	21		
90121-292-000	89		37		
90122-317-702	61	90601-333-000	3		
90123-317-700	65	90605-200-000	23		
90127-283-000	83	90609-333-000	21		
90133-286-000	89	90665-286-000	85		
90145-300-000	57	90841-001-000	121		
90154-268-670	103				
90154-346-610	103				
	105				
90165-323-000	59	91001-235-300	41		
90167-333-000	115	91002-286-008	37		
90201-333-020	21	91007-323-000	35		
90206-001-000	9	91022-333-018	37		
90236-300-000	5	91101-253-020	35		
90237-333-000	5	91101-333-000	41		
90304-323-670	69	91201-300-003	33		



HONDA
HONDA MOTOR CO., LTD. TOKYO, JAPAN

1453314

ISSN 01007507

PRINTED IN JAPAN