

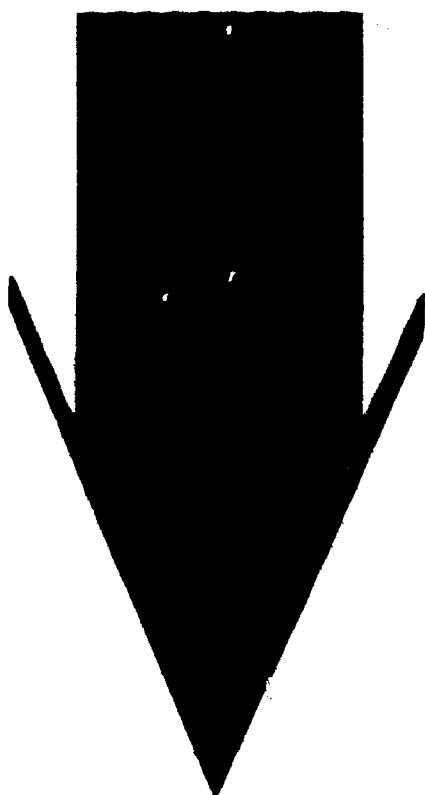
11

CB400F

CB400F1

CB400F2

Courtesy of  Honda4Fun
www.hondafour.com www.honda4fun.com



INSTRUCTION FOR USE OF PARTS LIST

CB400F
CB400F1.CB400F2

Ordering Replacement Parts

- Replacement Parts orders are accepted at HONDA Overseas Subsidiary or HONDA Authorized Dealer at your locality.
- Order each replacement part by the part number and its model serial number. Whenever any modification or addition to the replacement parts are made, a revised edition which has a progressively advanced edition number at left bottom of the front cover page will be issued. It is recommended that you purchase the newest edition to always receive correct parts.

Make-up and Use of Parts List

- This Parts List contains all the replacement parts for Models CB400F, CB400F1 and CB400F2.
- In order to simplify location of a desired part, all component parts are divided into two groups; engine parts and frame parts and illustrate in two whole illustrations respectively.
- All part numbers, engine part or frame part numbers, are listed up in numerical order.
- When it is desired to check the appearance of a given part from its part number, the group number of the part in the text page may be cross-referred to the corresponding group number in the illustration chart.
- The part number described under the part description supersedes the part number ahead.
- Req'd. No. (Abbrev. of Required Number) indicates the quantity of the part which can be used within the corresponding group.
- All dimensions are shown in millimeters except steel balls and wheel related parts.

Color Code and Color Description

Color Code		Color Description
Parts code	HONDA code	
A	NH-1	White
B	NH-1	Black
NX		Light ruby red
MW		Varnish blue
QE	Y-31	Parakeet yellow
XW	R-6C-S	Chrome plated
		Candy antares red

Abbreviations

The following abbreviations are used in this Parts List.

ASSY.	Assembly	W	Watt
COMP.	Complete	KPH	Kilometers per hour
R.	Right	MPH	Miles per hour
L.	Left	L (100L)	Link (100 Links)
STD.	Standard	A.C.	Alternating current
MM	Millimeter	D.C.	Direct current
G	Gram	IN.	Inlet
T (22T)	Tooth (22 Teeth)	EX.	Exhaust
A	Ampere	FR.	Front
V	Volt	RR.	Rear
		HEX.	Hexagonal

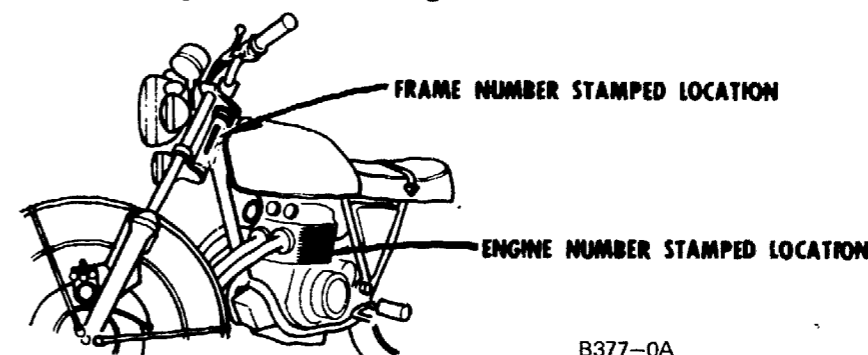
Applicable Serial Number and Stamped Location

All engine component parts are controlled by the engine serial number and all frame component parts by the frame serial number.

The initial engine and frame serial numbers are as follows.

Model	Area Code	Type	Initial Engine serial No.	Initial Frame serial No.
CB400F	A	U.S.A.	CB400FE-1000001~1038563	CB400F-1000006~1038492
	E	England	CB400FE-1000001~1069245	CB400F-1007709~1073399
	G	Germany	CB400FE-1000001~1068984	CB400F-1003864~1073209
	F	France	CB400FE-1000001~1067426	CB400F-1003859~1071669
	ED	European direct sales	CB400FE-1000001~1068486	CB400F-1003869~1072669
	DK	General export (KPH)	CB400FE-1000001~1080155	CB400F-1000154~1084349
	DM	General export (MPH)	CB400FE-1000001~1044878	CB400F-1007394~1047804
	S	Sweden	CB400FE-1000001~1033298	CB400F-1012968~1033142
	U	Australia	CB400FE-1000001~1080210	CB400F-1007369~1084404
CB400F1	A	U.S.A.	CB400FE-2000001~*	CB400F-2000001~2008280
	CM	Canada	CB400FE-2000001~*	CB400F-2008281~2009350
CB400F2	A	U.S.A.	CB400FE-2100001~2104125	CB400F-2100001~2104166
	CM	Canada	CB400FE-2103573~2105072	CB400F-2103567~2105061
	E	England	CB400FE-1069242~1086660	CB400F-1073400~1088559
	G	Germany	CB400FE-1069242~1086660	CB400F-1074740~1085944
	F	France	CB400FE-1069242~1086660	CB400F-1075280~1086459
	ED	European direct sales	CB400FE-1069242~1086660	CB400F-1075640~1090755
			*	*

The serial numbers are stamped on the following locations.



B377-0A

Applicable Carburetor Identification Number

Component parts of the carburetor are controlled by the carburetor identification number.

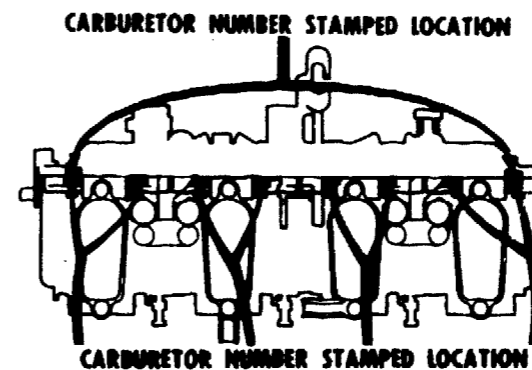
Make-up of the identification number is as follows.

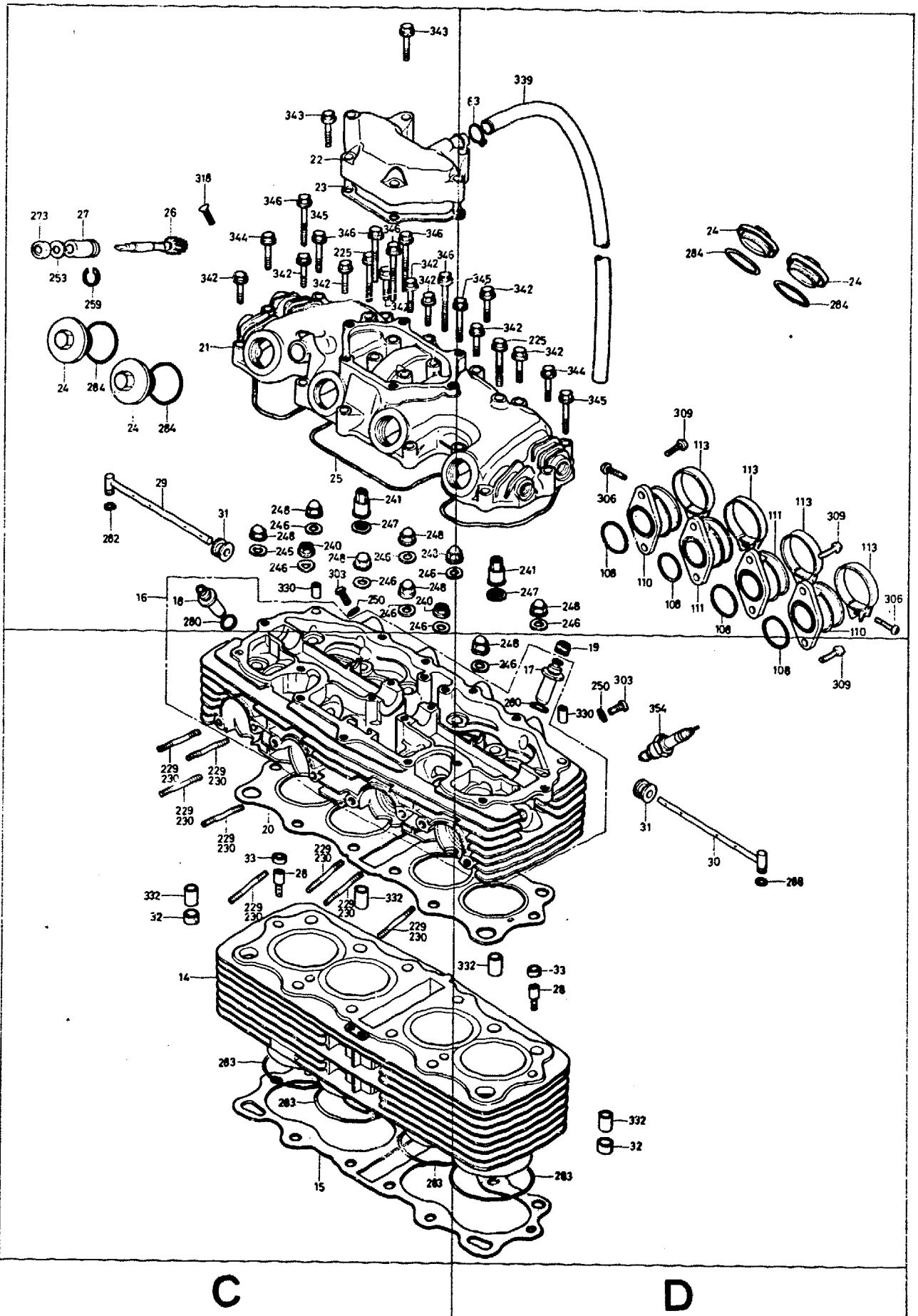
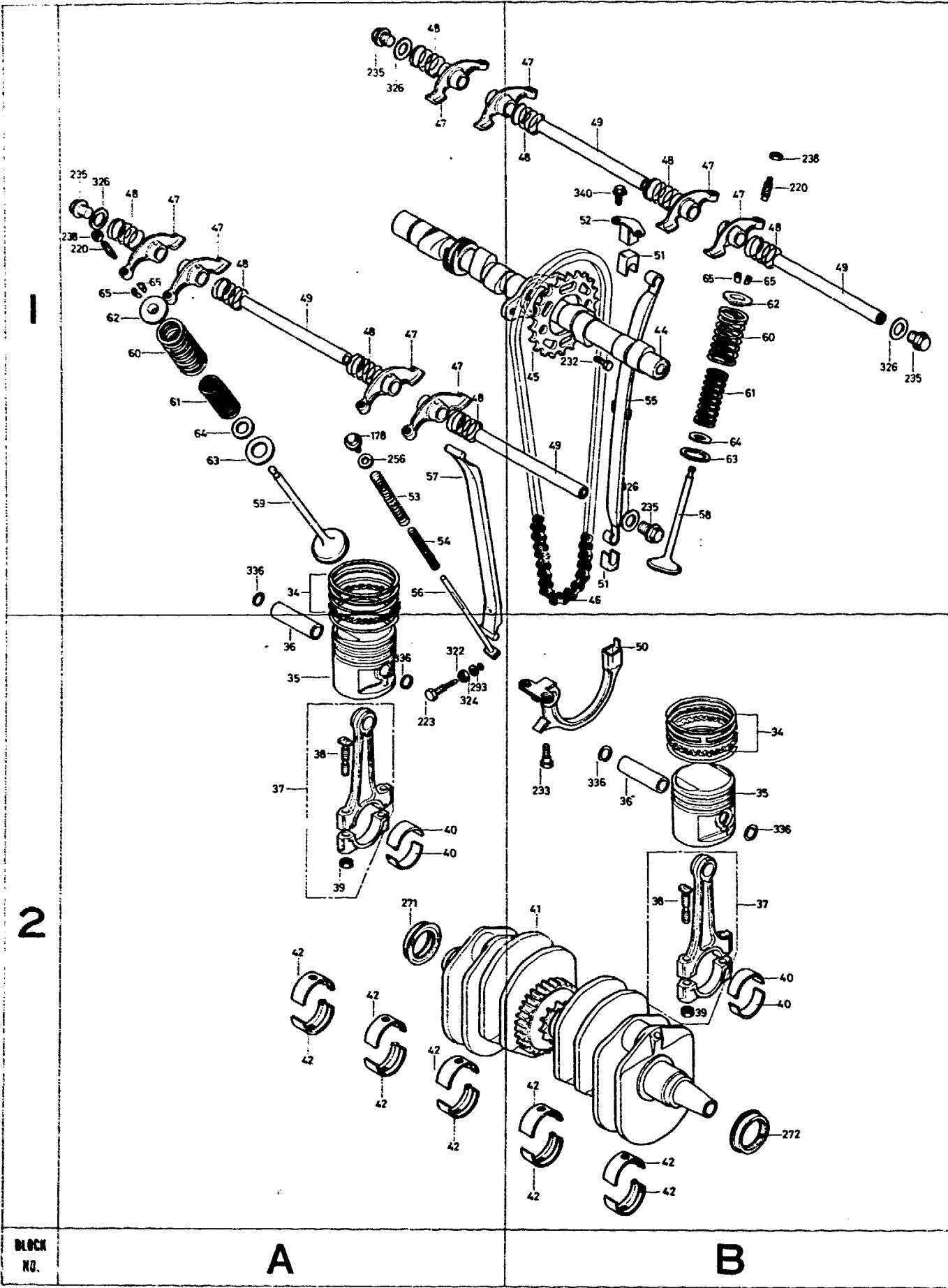
(Example)

0 5 4 A A KC 7

Only this portion of the identification number is used for control purpose.

The number is stamped on the following location.

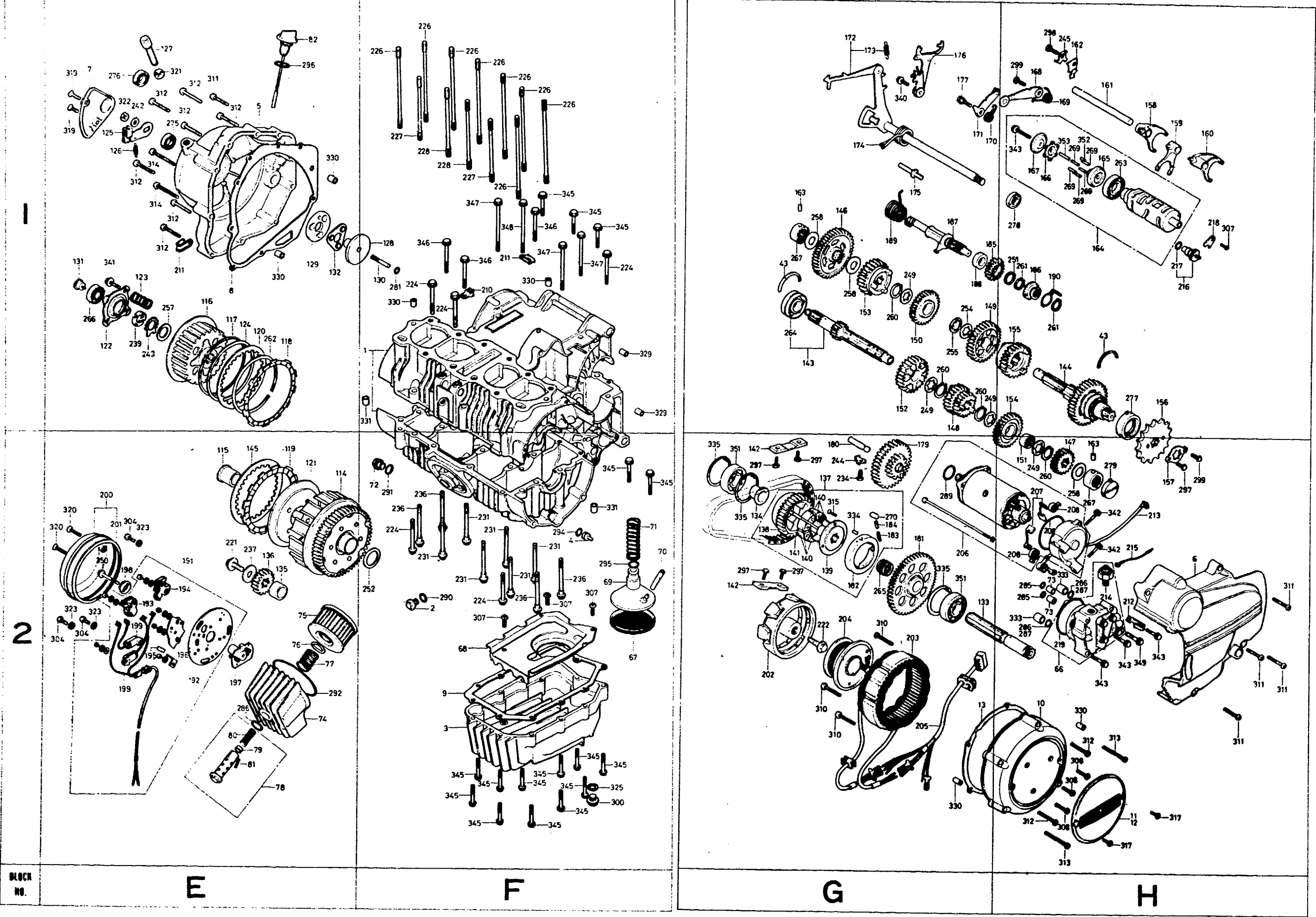




BLOCK NO.

ENGINE GROUP

ENGINE GROUP



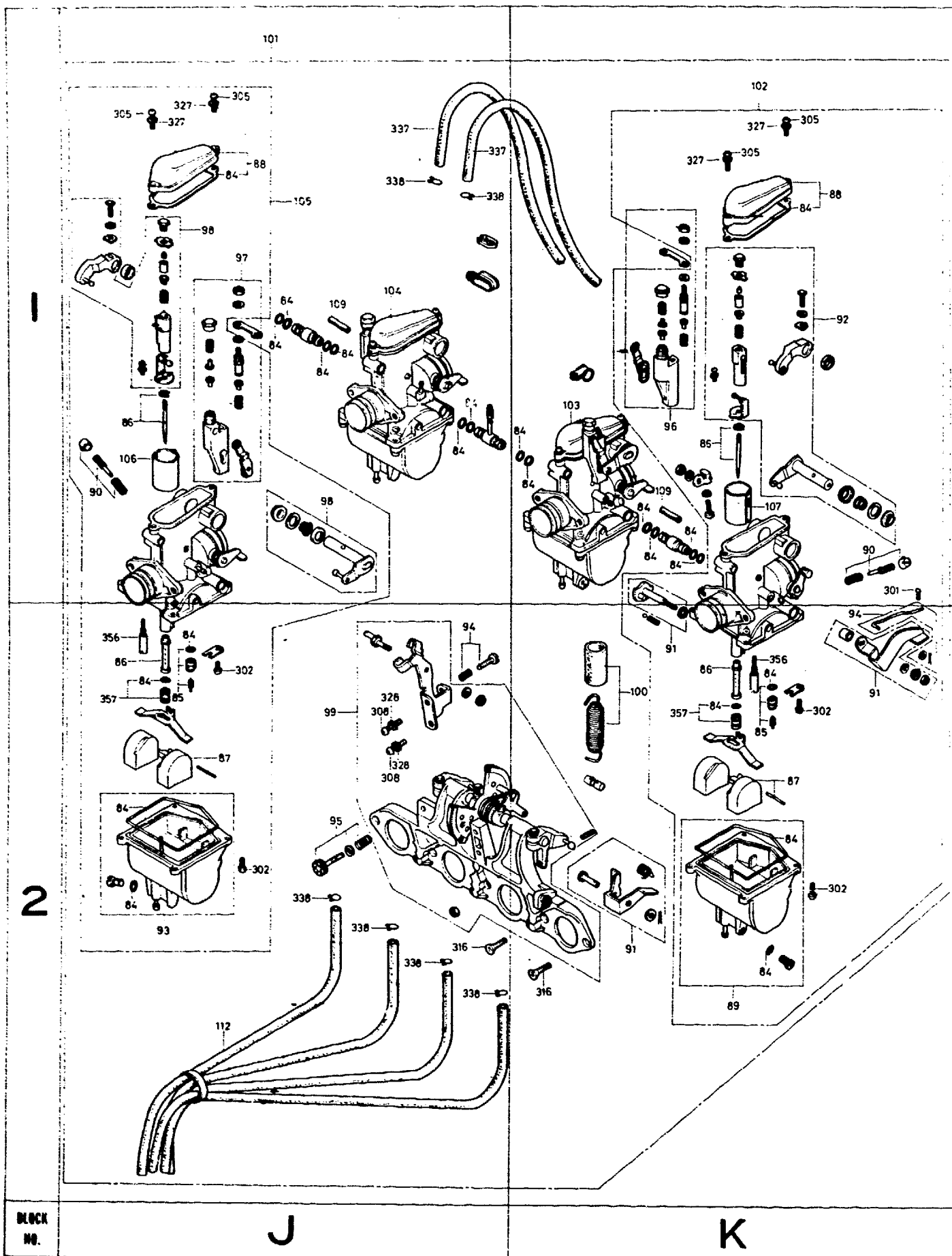
BLOCK NO.

E

F

G

H



Block No.	Ref. No.	Part No.	Description	Reqd. No.			Serial No.	Area Code
				CB400	F1	F2		
1F	1	11000-377-000	CRANKCASE ASSY.	1	1	1		
2F	2	11208-333-000	CAP, OIL PATH	1	1	1		
2F	3	11210-377-000	PAN, OIL	1	1	1		
2F	4	11291-333-000	PLUG, OIL PATH	1	1	1		
1E	5	11331-377-000	COVER, R. CRANKCASE	1	1	1		
2H	6	11341-377-000	COVER, L. CRANKCASE	1	1	1		
1E	7	11348-377-000	COVER, CLUTCH ADJUST	1	1	1		
1E	8	11394-377-000	PACKING, R. CRANKCASE COVER	1	1	1		
2F	9	11398-333-020	GASKET, OIL PAN	1	1	1		
2H	10	11631-377-000	COVER A, DYNAMO	1	1	1		
2H	11	11632-333-010	COVER B, DYNAMO	1	1	1		A,CM,DK,DM,U
2H	12	11632-377-720	COVER B, DYNAMO			1		E,ED,F,G,S
2G	13	11691-333-000	GASKET, DYNAMO COVER	1	1	1		A,CM
2C	14	12100-377-000	CYLINDER COMP.	1	1	1		
2C	15	12191-377-000	PACKING, CYLINDER	1	1	1		
2C	16	12200-377-000	HEAD COMP., CYLINDER	1	1	1		
2D	17	12202-333-315	GUIDE, IN. VALVE	4	4	4		
1C	18	12203-333-335	GUIDE, EX. VALVE	4	4	4		
2D	19	12209-333-005	SEAL, VALVE STEM	4	4	4		
2C	20	12251-377-000	GASKET, CYLINDER HEAD	1	1	1		
1C	21	12310-333-020	COVER, CYLINDER HEAD	1	1	1		
1C	22	12320-333-020	COVER COMP., BREATHER	1	1	1		
1C	23	12329-333-010	GASKET, BREATHER COVER	1	1	1		
1C	24	12361-300-000	CAP, TAPPET ADJUSTING HOLE	8	8	8		
1C	25	12391-333-000	GASKET, CYLINDER HEAD COVER	1	1	1		
1C	26	12431-333-010	GEAR, TACHOMETER	1	1	1		
1C	27	12435-377-000	COLLAR, TACHOMETER GEAR	1	1	1		
2C	28	12901-333-000	VALVE, OIL CONTROL DRIFICE	2	2	2		
1C	29	12903-333-000	PIPE COMP., R. OIL	1	1	1		
1C	30	12904-333-000	PIPE COMP., L. OIL	1	1	1		
1C	31	12905-333-000	HOLDER, OIL PIPE	2	2	2		
2C	32	12909-333-000	GASKET, CYLINDER STUD	2	2	2		
2C	33	12910-333-000	GASKET, ORIFICE VALVE	2	2	2		

2

BLOCK NO.

J

K



Block No.	Ref. No.	Part No.	Description	Reqd. No. CB400 F F1 F2	Serial No.	Area Code
1A	34	13011-377-003	RING SET, PISTON (STD.) (NIPPON)	4 4 4		
		13011-377-004	RING SET, PISTON (STD.) (RIKEN)	4 4 4	1054716 1054716 2008301	A,DK,DM,U E,ED,F,G,S
		13011-377-005	RING SET, PISTON (STD.) (TEIKOKU)	4 4 4		
		13021-377-003	RING SET, PISTON (0.25) (NIPPON)	(4)(4)(4)		
		13021-377-004	RING SET, PISTON (0.25) (RIKEN)	(4)(4)(4)	1063101 1063101 2008301	A,DK,DM,U E,ED,F,G,S
		13021-377-005	RING SET, PISTON (0.25) (TEIKOKU)	(4)(4)(4)		
		13031-377-003	RING SET, PISTON (0.50) (NIPPON)	(4)(4)(4)		
		13031-377-004	RING SET, PISTON (0.50) (RIKEN)	(4)(4)(4)	1063101 1063101 2008301	A,DK,DM,U E,ED,F,G,S
		13031-377-005	RING SET, PISTON (0.50) (TEIKOKU)	(4)(4)(4)		
		13041-377-003	RING SET, PISTON (0.75) (NIPPON)	(4)(4)(4)		
		13041-377-004	RING SET, PISTON (0.75) (RIKEN)	(4)(4)(4)	1063101 1063101 2008301	A,DK,DM,U E,ED,F,G,S
		13041-377-005	RING SET, PISTON (0.75) (TEIKOKU)	(4)(4)(4)		
		13051-377-003	RING SET, PISTON (1.00) (NIPPON)	(4)(4)(4)		
		13051-377-004	RING SET, PISTON (1.00) (RIKEN)	(4)(4)(4)	1063101 1063101 2008301	A,DK,DM,U E,ED,F,G,S
		13051-377-005	RING SET, PISTON (1.00) (TEIKOKU)	(4)(4)(4)		
		13011-377-701	RING SET, PISTON (STD.) (RIKEN)	4 4 4	1054717 1054717 2008302	A,DK,DM,U E,ED,F,G,S
		13021-377-701	RING SET, PISTON (0.25) (RIKEN)	(4)(4)(4)	1063102 1063102 2008302	A,DK,DM,U E,ED,F,G,S
		13031-377-701	RING SET, PISTON (0.50) (RIKEN)	(4)(4)(4)	1063102 1063102 2008302	A,DK,DM,U E,ED,F,G,S
		13041-377-701	RING SET, PISTON (0.75) (RIKEN)	(4)(4)(4)	1063102 1063102 2008302	A,DK,DM,U E,ED,F,G,S
		13051-377-701	RING SET, PISTON (1.00) (RIKEN)	(4)(4)(4)	1063102 1063102 2008302	A,DK,DM,U E,ED,F,G,S
2A	35	13101-377-000	PISTON (STD.)	4 4 4		
		13102-377-000	PISTON (0.25)	(4)(4)(4)		
		13103-377-000	PISTON (0.50)	(4)(4)(4)		
		13104-377-000	PISTON (0.75)	(4)(4)(4)		
		13105-377-000	PISTON (1.00)	(4)(4)(4)		

Block No.	Ref. No.	Part No.	Description	Reqd. No. CB400 F F1 F2	Serial No.	Area Code
2A	36	13111-087-000	PIN, PISTON	4 4 4		
2A	37	13210-333-002	ROD COMP. B, CONNECTING 13210-333-012	4 4	1060859	
		13210-333-003	ROD COMP. C, CONNECTING 13210-333-013	4 4	1060859	
		13210-333-004	ROD COMP. D, CONNECTING 13210-333-014	4 4	1060859	
		13210-333-005	ROD COMP. E, CONNECTING 13210-333-015	4 4	1060859	
		13210-333-011	ROD COMP. A, CONNECTING	4 4	1060860	
		13210-333-012	ROD COMP. B, CONNECTING	4 4	1060860	
		13210-333-013	ROD COMP. C, CONNECTING	4 4	1060860	
		13210-333-014	ROD COMP. D, CONNECTING	4 4	1060860	
		13210-333-015	ROD COMP. E, CONNECTING	4 4	1060860	
		13210-333-016	ROD COMP. F, CONNECTING	4 4	1060860	
2A	38	13213-333-003	BOLT, CONNECTING ROD (TOKAI)	8 8 8		
2A	39	13214-300-000	NUT, CONNECTING ROD	8 8 8		
2A	40	13215-333-003	BEARING A, CONNECTING ROD (DAIDO)	8 8 8		
		13216-333-003	BEARING B, CONNECTING ROD (DAIDO)	8 8 8		
		13217-333-003	BEARING C, CONNECTING ROD (DAIDO)	8 8 8		
		13218-333-003	BEARING D, CONNECTING ROD (DAIDO)	8 8 8		
		13219-333-003	BEARING E, CONNECTING ROD (DAIDO)	8 8 8		

Selection table of connecting rod big bearing

Crank pin allowance	Crank pin allowance					
	A	32 ϕ +0 -0.010	B	32 ϕ -0.010 -0.020	C	32 ϕ -0.020 -0.030
Connecting rod allowance	Bearing mark (color)	Clearance (μ)	Bearing mark (color)	Clearance (μ)	Bearing mark (color)	Clearance (μ)
	1 35 ϕ +0.008 -0	E (RED)	18~44	D (YELLOW)	20~46	C (GREEN)
2 35 ϕ +0.016 +0.008	D (YELLOW)	18~44	C (GREEN)	20~46	B (BROWN)	22~48
3 35 ϕ +0.024 +0.016	C (GREEN)	18~44	B (BROWN)	20~46	A (BLACK)	22~48

2B	41	13300-333-010	CRANKSHAFT COMP.	1 1 1		
2A	42	13314-333-003	BEARING A, CRANKSHAFT (DAIDO)	10 10 10		
		13315-333-003	BEARING A, CRANKSHAFT (DAIDO)	10 10 10		
		13316-333-003	BEARING B, CRANKSHAFT (DAIDO)	10 10 10		
		13317-333-003	BEARING C, CRANKSHAFT (DAIDO)	10 10 10		
		13318-333-003	BEARING D, CRANKSHAFT (DAIDO)	10 10 10		
		13319-333-003	BEARING E, CRANKSHAFT (DAIDO)	10 10 10		
1G	43	13492-203-000	RING, BEARING SET, 52MM	2 2 2		

Selection table of crankshaft journal main bearing

Crankcase allowance	Crankshaft journal allowance					
	1	32 ϕ +0 -0.010	2	32 ϕ -0.010 -0.020	3	32 ϕ -0.020 -0.030
Crankcase allowance	Bearing mark (color)	Clearance (μ)	Bearing mark (color)	Clearance (μ)	Bearing mark (color)	Clearance (μ)
	A 35 ϕ +0.008 -0	D (YELLOW)	20~46	C (GREEN)	22~48	B (BROWN)
B 35 ϕ +0.016 +0.008	C (GREEN)	20~46	B (BROWN)	22~48	A (BLACK)	24~50
C 35 ϕ +0.024 +0.016	B (BROWN)	20~46	A (BLACK)	22~48	AA (BLUE)	24~50



ENGINE GROUP

Ref. No. 44 ~ 85



Ref. No. 86 ~ 130

ENGINE GROUP

Block No.	Ref. No.	Part No.	Description	Reqd. No. CB400 F F1 F2	Serial No.	Area Code
1B	44	14101-333-020	CAMSHAFT	1 1 1		
1B	45	14321-377-000	SPROCKET, CAM (32T)	1 1 1	1054716 1054716 2008301	A,DK,DM,U E,ED,F,G,S
		14321-377-700	SPROCKET, CAM (32T)	1 1 1	1054717 1054717 2008302	A,DK,DM,U E,ED,F,G,S A,CM
1B	46	14401-333-003	CHAIN, CAM	1 1 1		
1A	47	14431-333-000	ARM, VALVE ROCKER	8 8 8		
1A	48	14435-333-000	SPRING, ROCKER ARM SIDE	8 8 8		
1A	49	14451-333-000	SHAFT, VALVE ROCKER ARM	4 4 4		
2B	50	14500-333-020	ARM COMP., CAM CHAIN TENSIONER	1 1 1		
1B	51	14501-323-000	DAMPER, CAM CHAIN TENSIONER	2 2 2		
1B	52	14530-333-000	HOLDER COMP., CAM CHAIN TENSIONER	1 1 1		
1A	53	14541-333-020	SPRING, CAM CHAIN TENSIONER OUTER	1 1 1		
1A	54	14543-333-000	SPRING, CAM CHAIN TENSIONER INNER	1 1 1		
1B	55	14545-333-000	SLIPPER, CAM CHAIN TENSIONER	1 1 1		
1A	56	14550-333-000	BAR COMP., CAM CHAIN TENSIONER PUSH	1 1 1		
1A	57	14620-333-000	GUIDE, CAM CHAIN	1 1 1		
1B	58	14711-377-000	VALVE, IN.	4 4 4		
1A	59	14721-377-000	VALVE, EX.	4 4 4		
1A	60	14751-333-010	SPRING, VALVE (OUTER)	8 8 8		
1A	61	14761-333-010	SPRING, VALVE (INNER)	8 8 8		
1A	62	14771-107-020	RETAINER, VALVE SPRING	8 8 8		
1A	63	14775-107-000	SEAT, VALVE SPRING OUTER	8 8 8		
1A	64	14776-107-010	SEAT, VALVE SPRING INNER	8 8 8		
1A	65	14781-107-020	COTTER, VALVE	16 16 16		
2H	66	15100-333-010	PUMP ASSY., OIL	1 1 1		
2F	67	15151-333-000	SCREEN, OIL STRAINER	1 1 1		
2F	68	15152-333-000	PLATE, OIL SEPARATOR	1 1 1		
2F	69	15153-333-000	BODY, OIL SCREEN	1 1 1		
2F	70	15155-333-000	PIPE, MISSION OIL	1 1 1		
2F	71	15157-333-000	SPRING, OIL SCREEN SETTING	1 1 1		
2F	72	15332-300-000	CAP B, OIL PATH	1 1 1		
2H	73	15391-333-000	COLLAR, O-RING GUIDE	2 2 2		
2E	74	15411-300-010	CASE, OIL FILTER	1 1 1		
2E	75	15412-300-024	ELEMENT, OIL FILTER (TOKYO ROKI)	1 1 1		
2E	76	15414-300-030	SEAT, OIL FILTER SPRING	1 1 1		
2E	77	15415-300-000	SPRING, OIL FILTER ELEMENT SET	1 1 1		
2E	78	15420-300-020	BOLT, OIL FILTER CENTER	1 1 1		
2E	79	15473-300-300	VALVE, CHECK	1 1 1		
2E	80	15474-300-310	SPRING, CHECK VALVE	1 1 1		
2E	81	15477-300-300	PIN, SPRING SET	1 1 1		
1E	82	15650-333-000	GAUGE, OIL LEVEL	1 1 1		
1D	83	15772-292-010	CLIP, BREATHER TUBE	1 1 1		
1J	84	16010-333-004	GASKET SET	4 4 4		
2J	85	16011-329-004	VALVE SET, FLOAT	4 4 4		

Block No.	Ref. No.	Part No.	Description	Reqd. No. CB400 F F1 F2	Serial No.	Area Code
1J	86	16012-377-004	NEEDLE SET, JET (KEIHIN)	4 4 4		
2J	87	16013-333-004	FLOAT SET	4 4 4		
1J	88	16014-333-004	TOP SET	4 4 4		
2K	89	16015-333-004	CHAMBER SET A, FLOAT	2 2 2		
1J	90	16016-377-004	SCREW SET A (KEIHIN)	4 4 4		
2K	91	16017-333-004	LINK SET	1 1 1		
1K	92	16018-333-004	ARM SET, LINK	2 2 2		
2J	93	16023-333-004	CHAMBER SET B, FLOAT	2 2 2		
2K	94	16025-333-004	ROD SET, CHOKE	1 1 1		
2J	95	16028-333-004	SCREW SET B	1 1 1		
1K	96	16029-323-004	HOLDER SET A, ADJUST	2 2 2		
1J	97	16030-323-004	HOLDER SET B, ADJUST	2 2 2		
1J	98	16031-333-004	ARM SET B, LINK	2 2 2		
2J	99	16035-333-004	PLATE SET, STAY	1 1 1		
2J	100	16036-323-004	TUBE SET, PROTECT	1 1 1		
1J	101	16100-377-004	CARBURETOR ASSY. (KEIHIN)	1 1 1		
1K	102	16101-377-004	CARBURETOR ASSY. 1 (KEIHIN)	1 1 1		
1K	103	16102-377-004	CARBURETOR ASSY. 2 (KEIHIN)	1 1 1		
1J	104	16103-377-004	CARBURETOR ASSY. 3 (KEIHIN)	1 1 1		
1J	105	16104-377-004	CARBURETOR ASSY. 4 (KEIHIN)	1 1 1		
1J	106	16111-333-004	VALVE A, THROTTLE	2 2 2		
1K	107	16112-333-004	VALVE B, THROTTLE	2 2 2		
1D	108	16173-253-004	O-RING, 27X2.4	4 4 4		
1J	109	16199-333-004	TUBE, FUEL, 2.5X16	2 2 2		
1D	110	16212-333-030	INSULATOR A, CARBURETOR	2 2 2		
1D	111	16213-333-030	INSULATOR B, CARBURETOR	2 2 2		
2J	112	16290-333-000	TUBE, OVER FLOW	1 1 1		
1D	113	17255-246-000	BAND, CLEANER CONNECTING TUBE	4 4 4		
2E	114	22100-377-000	OUTER COMP., CLUTCH	1 1 1		
2E	115	22116-333-020	COLLAR, 25MM	1 1 1		
1E	116	22120-377-000	CENTER COMP., CLUTCH	1 1 1		
1E	117	22125-333-000	SEAT, DISK SPRING	1 1 1		
1E	118	22201-302-000	DISK, CLUTCH FRICTION	1 1 1		
2E	119	22201-377-000	DISK, CLUTCH FRICTION	6 6 6		
1E	120	22321-333-010	PLATE B, CLUTCH	1 1 1		
2E	121	22350-333-010	PLATE, CLUTCH PRESSURE	1 1 1		
1E	122	22361-377-000	PLATE, CLUTCH LIFTER	1 1 1		
1E	123	22401-369-000	SPRING, CLUTCH	4 4 4		
1E	124	22402-333-003	SPRING, CLUTCH DISK	1 1 1		
1E	125	22810-377-000	LEVER COMP., CLUTCH	1 1 1		
1E	126	22815-300-000	SPRING, CLUTCH LEVER	1 1 1		
1E	127	22818-354-000	BOLT, ADJUST, A10X44	1 1 1		
1F	128	22820-300-000	SHAFT, CLUTCH RELEASE	1 1 1		
1E	129	22830-300-000	CAM COMP., CLUTCH LIFTER	1 1 1		
1F	130	22841-300-000	BOLT, CLUTCH ADJUSTING	1 1 1		



ENGINE GROUP

Ref. No. 131 ~ 165

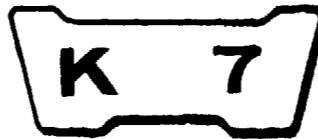
Ref. No. 166 ~ 205

ENGINE GROUP

Block No.	Ref. No.	Part No.	Description	Reqd. No. CB400 F F1 F2	Serial No.	Area Code
1E	131	22846-300-000	PIECE, CLUTCH LIFTER	1 1 1	1070535 1070535	A,DK,DM,U CM,E,ED,F,G,S
		22846-300-010	PIECE, CLUTCH LIFTER	1 1 1	1070536 1070536	A, DK, DM, U E, ED, F, G, S
1E	132	22860-300-006	RETAINER COMP., CLUTCH BALL	1 1 1		
2G	133	23101-377-000	SHAFT, PRIMARY	1 1 1		
2G	134	23102-377-000	COLLAR, 25X31.8	1 1 1		
2E	135	23104-377-000	COLLAR, 25X16.5	1 1 1		
2E	136	23108-333-020	GEAR, SECONDARY DRIVE (23T)	1 1 1		
2G	137	23110-377-000	SPROCKET COMP., PRIMARY DRIVEN	1 1 1	1054716 1054716 2008301	A,DK,DM,U E,ED,F,G,S
		23110-377-700	SPROCKET COMP., PRIMARY DRIVEN	1 1 1	1054717 1054717 2008302	A,DK,DM,U E,ED,F,G,S A,CM
2G	138	23111-333-000	SPROCKET, PRIMARY DRIVEN	1 1 1		
2G	139	23112-333-000	HUB, DRIVEN SPROCKET	1 1 1	1054716 1054716 2008301	A,DK,DM,U E,ED,F,G,S
		23112-377-700	HUB, DRIVEN SPROCKET	1 1 1	1054717 1054717 2008302	A,DK,DM,U E,ED,F,G,S A,CM
2G	140	23114-323-000	RUBBER, DAMPER	8 8 8		
2G	141	23131-323-000	CHAIN, PRIMARY DRIVE	1 1 1		
2G	142	23132-333-010	GUIDE, PRIMARY CHAIN	2 2 2		
1G	143	23210-377-000	MAINSHAFT COMP. (24T)	1 1 1		
1H	144	23220-377-000	COUNTERSHAFT COMP. (36T)	1 1 1	1063270 1063270 2102777 A	A,DK,DM,U CM,E,ED,F,G,S
		23220-377-010	COUNTERSHAFT COMP. (36T)	1 1 1	1063271 1063271 2102778	A,DK,DM,U CM,E,ED,F,G,S A
2E	145	23311-200-000	PLATE A, CLUTCH	6 6 6		
1G	146	23420-377-000	GEAR COMP., COUNTERSHAFT LOW (41T)	1 1 1		
2H	147	23431-369-000	GEAR, MAINSHAFT SECOND (20T)	1 1 1		
1G	148	23451-369-000	GEAR, MAINSHAFT THIRD FOURTH (24T 27T)	1 1 1		
1G	149	23461-377-010	GEAR, COUNTERSHAFT THIRD (33T)	1 1 1		
1G	150	23481-377-010	GEAR, COUNTERSHAFT FOURTH (30T)	1 1 1		
2H	151	23485-369-000	BUSH, SPLINE, 28MM	1 1 1		
1G	152	23491-369-000	GEAR, MAINSHAFT FIFTH (29T)	1 1 1		
1G	153	23501-377-010	GEAR, COUNTERSHAFT FIFTH (28T)	1 1 1		
1H	154	23511-377-000	GEAR, MAINSHAFT TOP (30T)	1 1 1		
1H	155	23521-377-010	GEAR, COUNTERSHAFT TOP (26T)	1 1 1		
1H	156	23801-333-000	SPROCKET, DRIVE (17T)	1 1 1		
2H	157	23811-292-000	PLATE, DRIVE SPROCKET FIXING	1 1 1		
1H	158	24211-377-010	FORK, R. GEARSHIFT	1 1 1		
1H	159	24216-333-020	FORK, CENTER GEARSHIFT	1 1 1		
1H	160	24221-377-000	FORK, L. GEARSHIFT	1 1 1		
1H	161	24226-377-000	SHAFT, SHIFTFORK GUIDE	1 1 1		
1H	162	24231-333-010	PLATE, GUIDE SHAFT SET	1 1 1		
1G	163	24261-283-000	PIN, GEARSHIFT FORK GUIDE	2 2 2		
1H	164	24300-377-000	DRUM ASSY., GEARSHIFT	1 1 1		
1H	165	24304-377-000	CENTER, GEARSHIFT DRUM	1 1 1		

Block No.	Ref. No.	Part No.	Description	Reqd. No. CB400 F F1 F2	Serial No.	Area Code
1H	166	24321-377-000	PLATE, DRUM STOPPER	1 1 1		
1H	167	24326-300-000	PLATE, GEARSHIFT SIDE	1 1 1		
1H	168	24430-377-000	STOPPER COMP., GEARSHIFT DRUM	1 1 1		
1H	169	24435-333-000	SPRING, SHIFT DRUM STOPPER	1 1 1		
1G	170	24436-333-010	SPRING, NEUTRAL STOPPER	1 1 1		
1G	171	24440-333-000	ARM COMP., NEUTRAL STOPPER	1 1 1		
1G	172	24610-377-000	SPINDLE COMP., GEARSHIFT	1 1 1		
1G	173	24641-216-000	SPRING, GEARSHIFT ARM	1 1 1		
1G	174	24651-333-000	SPRING, GEARSHIFT RETURN	1 1 1		
1G	175	24652-035-000	PIN, SHIFT RETURN SPRING	1 1 1		
1G	176	24660-377-000	STOPPER COMP., POSITIVE	1 1 1		
1G	177	24667-333-020	PIN, RETURN SPRING, 6 MM	1 1 1		
1A	178	25911-500-000	BOLT, OIL CHECK	1 1 1		
2G	179	28101-377-000	GEAR, STARTER REDUCTION	1 1 1		
2G	180	28106-333-000	SHAFT, STARTER REDUCTION GEAR	1 1 1		
2G	181	28111-333-310	GEAR, STARTING DRIVEN	1 1 1		
2G	182	28120-377-000	OUTER, STARTING CLUTCH	1 1 1		
2G	183	28125-253-020	SPRING, STARTING CLUTCH ROLLER	3 3 3		
2G	184	28126-253-030	CAP, STARTING CLUTCH ROLLER SPRING	3 3 3		
1G	185	28211-333-020	PINION, KICK STARTER	1 1 1		
1H	186	28221-333-010	RATCHET, KICK STARTER	1 1 1		
1G	187	28251-333-010	SPINDLE, KICK STARTER	1 1 1		
1G	188	28259-333-010	COLLAR, KICK SPINDLE	1 1 1		
1G	189	28261-333-030	SPRING, KICK STARTER	1 1 1		
1H	190	28271-333-000	SPRING, STARTER PINION FRICTION	1 1 1		
2E	191	30200-323-154	BREAKER ASSY., CONTACT (TOYO)	1 1 1		
		30200-333-004	BREAKER ASSY., CONTACT (ND)	1 1 1		
2E	192	30201-300-154	PLATE, CONTACT BREAKER BASE (TOYO)	1 1 1		
		30201-333-004	PLATE, CONTACT BREAKER BASE (ND)	1 1 1		
2E	193	30203-300-154	BREAKER, CONTACT (1&4 TOYO)	1 1 1		
		30204-333-004	BREAKER, L. CONTACT (ND)	1 1 1		
2E	194	30203-333-004	BREAKER, R. CONTACT (ND)	1 1 1		
		30204-300-154	BREAKER, CONTACT (2&3 TOYO)	1 1 1		
2E	195	30205-300-154	FELT, OIL (TOYO)	1 1 1		
		30205-333-004	FELT, OIL (ND)	1 1 1		
2E	196	30215-300-154	PLATE, BREAKER SHIFT (TOYO)	1 1 1		
		30215-333-004	PLATE, BREAKER SHIFT (ND)	1 1 1		
2E	197	30220-333-004	ADVANCER ASSY., SPARK (ND)	1 1 1		
		30220-377-154	ADVANCER, SPARK (TOYO)	1 1 1		
2E	198	30233-333-000	WASHER, ADVANCER SPECIAL	1 1 1		
2E	199	30250-300-154	CONDENSER COMP. (TOYO)	1 1 1		
		30250-333-004	CONDENSER COMP. (ND)	2 2 2		
2E	200	30370-323-000	COVER COMP., POINT	1 1 1		
2E	201	30372-300-300	GASKET, POINT COVER	1 1 1		
2G	202	31101-333-004	ROTOR COMP. (ND)	1 1 1		
2G	203	31102-333-004	STATOR COMP. (ND)	1 1 1		
2G	204	31103-333-004	COIL COMP., FIELD (ND)	1 1 1		
2G	205	31110-333-000	HARNES, A.C. GENERATOR WIRE	1 1 1		





ENGINE GROUP

Ref. No. 206 ~ 245

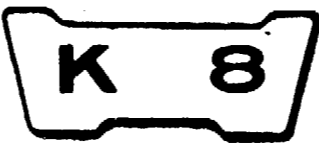
Ref. No. 246 ~ 280

ENGINE GROUP

Block No.	Ref. No.	Part No.	Description	Reqd. No. CB400 F F1 F2	Serial No.	Area Code
2G	206	31200-333-000	MOTOR ASSY., STARTING	1 1 1		
2H	207	31201-230-174	BRUSH SET, CARBON (MITSUBA)	1 1 1		
2H	208	31204-225-154	SPRING, CARBON BRUSH (MITSUBA)	2 2 2		
2H	209	31206-286-158	O-RING (MITSUBA)	1 1 1		
1F	210	32111-333-000	CLAMPER A, CORD	1 1 1		
1E	211	32112-333-000	CLAMPER B, CORD	2 2 2		
2H	212	32113-333-000	CLAMPER C, CORD	1 1 1		
2H	213	32410-333-000	CABLE, STARTING MOTOR	1 1 1		
2H	214	35500-333-014	SWITCH ASSY., OIL PRESSURE (ND)	1 1 1		
2H	215	35510-333-000	CORD, PRESSURE SUB	1 1 1		
1H	216	35750-333-023	SWITCH, NEUTRAL (TOYO)	1 1 1		
1H	217	35751-333-003	O-RING	1 1 1		
1H	218	35755-333-010	PLATE, NEUTRAL SWITCH FIXING	1 1 1		
2H	219	41123-516-000	O-RING, 63X2.5	1 1 1		
1A	220	90012-333-000	SCREW, TAPPET ADJUSTING	8 8 8		
2E	221	90013-333-010	BOLT, UBS, 12X30	1 1 1		
2G	222	90014-333-000	BOLT, UBS, 10X32	1 1 1		
2A	223	90016-286-000	BOLT, TENSIONER SETTING	1 1 1		
1F	224	90017-333-000	BOLT, FLANGE, 8X60	5 5 5		
1C	225	90018-333-000	BOLT, UBS, 6X38	2 2 2		
1F	226	90031-377-000	STUD A, CYLINDER, 8X154	8 8 8	1057306	A, DK, DM, U E, ED, F, G, S
		90031-377-010	STUD A, CYLINDER, 8X155	8 8 8	1057307	A, DK, DM, U E, ED, F, G, S
1F	227	90032-377-000	STUD B, CYLINDER, 8X122	2 2 2		
1F	228	90033-377-000	STUD C, CYLINDER, 10X139	2 2 2	1057306	
		90033-377-010	STUD C, CYLINDER, 10X141	2 2 2	1057307	
2C	229	90044-377-000	BOLT, STUD, 6X47	8 8 8		A, CM, DK, DM, U E, ED, F, G, S
2C	230	90044-377-720	BOLT, STUD, 6X37	8 8 8		A, CM
2F	231	90045-329-000	BOLT, UBS, 8X114	6 6 6		
1B	232	90081-246-000	BOLT, HEX. KNOCK, 7X12	2 2 2		
2B	233	90081-312-000	BOLT, KNOCK, 6X14	2 2 2		
2G	234	90081-512-010	BOLT, STOPPER, 6MM	1 1 1		
1A	235	90084-333-000	BOLT, SEALING	4 4 4		
2F	236	90086-333-000	BOLT, UBS, 8X97	4 4 4		
2E	237	90201-333-020	WASHER, PRIMARY SHAFT LOCK	1 1 1		
1A	238	90206-001-000	NUT, TAPPET ADJUSTING	8 8 8		
1E	239	90231-200-010	NUT, LOCK, 16MM	1 1 1		
1C	240	90236-300-000	NUT, FLANGE, 8MM	2 2 2		
1C	241	90237-333-000	NUT, SPECIAL, 8MM	2 2 2		
1E	242	90402-822-000	WASHER, HEAD, 8MM	1 1 1		
1E	243	90431-292-000	WASHER, LOCK, 16MM	1 1 1		
2G	244	90433-283-000	WASHER, LOCK, 6MM	1 1 1		
1H	245	90435-333-000	WASHER, TONGUED, 8 MM	1 1 1		

Block No.	Ref. No.	Part No.	Description	Reqd. No. CB400 F F1 F2	Serial No.	Area Code
1C	246	90441-377-000	WASHER, SEALING, 8MM	10 10 10		
1C	247	90442-377-000	WASHER, SEAL	2 2 2		
1C	248	90443-107-000	NUT, CAP, 8MM	8 8 8		
1G	249	90451-300-000	WASHER, THRUST, 25MM	4 4 4		1049621 2007531
		90451-371-000	WASHER, THRUST, 25X31	4 4 4		1049622 2007532
1C	250	90452-323-000	WASHER, THRUST, 5MM	4 4 4		
1H	251	90454-107-000	WASHER, THRUST, 20MM	1 1 1		
2F	252	90455-333-010	WASHER, THRUST, 25MM	1 1 1		
1C	253	90458-324-010	WASHER, THRUST, 6.7MM	1 1 1		
1G	254	90461-286-000	WASHER B, THRUST, 25MM	1 1 1		
1G	255	90462-323-000	WASHER, LOCK, 25MM	1 1 1		
1A	256	90474-333-000	WASHER, 8MM	1 1 1		
1E	257	90481-292-000	WASHER, OIL FILTER ROTOR LOCK	1 1 1		
1G	258	90554-700-000	WASHER, THRUST, 20MM	3 3 3		
1C	259	90601-333-000	SET RING, 12.7MM	1 1 1		
1G	260	90602-259-010	CIR CLIP, 25MM	4 4 4		
1H	261	90605-200-000	SET RING, 20MM	2 2 2		
1E	262	90609-333-000	SET RING, SPECIAL, 92MM	1 1 1		
1H	263	91001-235-300	BEARING, RADIAL BALL, 16004	1 1 1		
1G	264	91002-286-008	BEARING, BALL, 520SHS (TOYO)	1 1 1		
2G	265	91007-323-000	BEARING, NEEDLE, 25X29X17	1 1 1		1010601
		91029-357-004	BEARING, NEEDLE, 25X29X17 (KOYO)	1 1 1		1010602 1071403 2104477 E, ED, F, G, S 1071403
		91029-357-006	BEARING, NEEDLE, 25X29X17 (TOMSON)	1 1 1		1010602 1071403 2104477 E, ED, F, G, S
		91007-323-003	BEARING, NEEDLE, 25X29X17	1 1 1		1071404 1071404 2104478 A, DK, DM, U E, ED, F, G, S CM
1E	266	91008-362-000	BEARING, RADIAL BALL, 16003	1 1 1		
1G	267	91022-377-008	BEARING, NEEDLE, 20MM	2 2 2		
1H	269	91101-333-000	ROLLER, 4X16.8	5 5 5		
2G	270	91101-377-000	ROLLER, 10.2X11.5	3 3 3		
2A	271	91201-300-003	OIL SEAL, 30X42X8	1 1 1		
2B	272	91201-323-005	OIL SEAL, 30X45X8	1 1 1		
1C	273	91201-324-010	OIL SEAL, 6.5X14.5X7 91201-324-013	1 1 1		1037578
		91201-324-013	OIL SEAL, 6.5X14.5X7 (ARAI)	1 1 1		1037579 1037579 A, DK, DM, U E, ED, F, G, S A, CM
1E	275	91202-216-005	OIL SEAL, 14X24X5	1 1 1		
1E	276	91204-259-000	OIL SEAL, 16X28X7	1 1 1		
1H	277	91205-333-005	OIL SEAL, 34X52X13.5X15.5	1 1 1		1062965 1062965 A, DK, DM, U E, ED, F, G, S
		91205-333-015	OIL SEAL, 34X52X13.5X15.5	1 1 1		1062966 1062966 A, DK, DM, U E, ED, F, G, S A, CM
1H	278	91206-286-005	OIL SEAL, 14X28X7 (NIPPON)	1 1 1		
		91206-286-013	OIL SEAL, 14X28X7	1 1 1		
2H	279	91207-333-000	OIL SEAL, 34X9	1 1 1		
1C	280	91301-200-000	O-RING, 10X1.6	8 8 8		





ENGINE GROUP

Ref. No. 281 ~ 320

Ref. No. 321 ~ 357

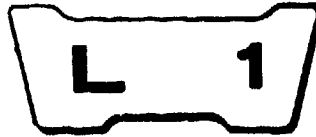
ENGINE GROUP

Block No.	Ref. No.	Part No.	Description	Reqd. No. CB400 F F1 F2	Serial No.	Area Code
1F	281	91301-283-005	O-RING, 5X2.4	1 1 1		
1C	282	91301-333-000	O-RING, 7X1.7	1 1 1		
2C	283	91301-377-000	O-RING, 55.5X2	4 4 4		
1C	284	91302-001-020	O-RING, 30.8MM	8 8 8		
2H	285	91302-044-010	O-RING, 6.9X1.5	2 2 2		
2E	286	91302-377-000	O-RING, 15X2.5	3 3 3	1063101 A,DK,DM,U 1063101 E,ED,F,G,S	
				1 1 1	2102777 A,CH	
				1 1 1	1063102 A,DK,DM,U 1063102 E,ED,F,G,S 2102778 A,CH	
2E	287	91303-377-000	O-RING, 13.8X2.5	2 2 2	1063102 A,DK,DM,U 1063102 E,ED,F,G,S 2102778 A,CH	
2D	288	91305-333-000	O-RING, 5X1.7	1 1 1		
2G	289	91309-300-000	O-RING, 24.4X3.1	1 1 1		
2F	290	91314-220-000	O-RING, 16.4X2.4	1 1 1		
2F	291	91315-044-000	O-RING, 19.4X2.8	1 1 1		
2E	292	91316-300-003	O-RING, 89X4.5	1 1 1		
2A	293	91317-703-000	O-RING, 6X1.7	1 1 1		
2F	294	91319-300-000	O-RING, 13X2.5	1 1 1		
2F	295	91329-590-003	O-RING, 16.5X2	1 1 1		
1E	296	91354-702-000	O-RING, 23MM	1 1 1		
	297	92000-06012	BOLT, HEX., 6X12	6 6 6		
	298	92000-08020-0A	BOLT, HEX., 8X20	1 1 1		
	299	92100-06020	BOLT, HEX., 6X20	1 1 1		
	300	92800-12000	BOLT, DRAIN PLUG, 12MM	1 1 1		
	301	93500-03006-0A	SCREW, PAN, 3X6	1 1 1		
	302	93500-04010-0A	SCREW, PAN, 4X10	20 20 20		
	303	93500-05006-0A	SCREW, PAN, 5X6	4 4 4		
	304	93500-05014-0A	SCREW, PAN, 5X14	3 3 3		
	305	93500-05016-0A	SCREW, PAN, 5X16	8 8 8		
	306	93500-05025-0A	SCREW, PAN, 5X25	4 4 4		
	307	93500-06012	SCREW, PAN, 6X12	5 5 5		
	308	93500-06016	SCREW, PAN, 6X16	5 5 5		
	309	93500-06018	SCREW, PAN, 6X18	8 8 8		
	310	93500-06032	SCREW, PAN, 6X32	3 3 3		
	311	93500-06035	SCREW, PAN, 6X35	5 5 5		
	312	93500-06040	SCREW, PAN, 6X40	9 9 9		
	313	93500-06055	SCREW, PAN, 6X55	2 2 2		
	314	93500-06060	SCREW, PAN, 6X60	2 2 2		
	315	93600-06014	SCREW, FLAT, 6X14	3 3 3		
	316	93600-06016	SCREW, FLAT, 6X16	8 8 8		
	317	93700-04012-0B	SCREW, OVAL, 4X12	2 2 2		
	318	93700-05020-0A	SCREW, OVAL, 5X20	1 1 1		
	319	93700-06016	SCREW, OVAL, 6X16	2 2 2		
	320	93700-06030	SCREW, OVAL, 6X30	2 2 2		

Block No.	Ref. No.	Part No.	Description	Reqd. No. CB400 F F1 F2	Serial No.	Area Code
	321	94001-10000-0S	NUT, HEX., 10MM	1 1 1		
	322	94002-08000-0S	NUT, HEX., 8MM	2 2 2		
	323	94101-05000	WASHER, PLAIN, 5MM	3 3 3		
	324	94101-06000	WASHER, PLAIN, 6MM	1 1 1		
	325	94109-12000	WASHER, DRAIN PLUG, 12MM	1 1 1		
	326	94109-14000	WASHER, DRAIN PLUG, 14MM	4 4 4		
	327	94111-05000	WASHER, SPRING, 5MM	8 8 8		
	328	94111-06000	WASHER, SPRING, 6MM	2 2 2		
	329	94301-08100	PIN A, DOWEL, 8X10	2 2 2		
	330	94301-08140	PIN A, DOWEL, 8X14	8 8 8		
	331	94301-10140	PIN A, DOWEL, 10X14	2 2 2		
	332	94301-12200	PIN A, DOWEL, 12X20	4 4 4		
	333	94301-14200	PIN A, DOWEL, 14X20	2 2 2		
	334	94302-06100	PIN B, DOWEL, 6X10	1 1 1		
	335	94520-52000	CIR CLIP, INTERNAL, 52	3 3 3		
	336	94601-13000	CLIP, PISTON PIN, 13MM	8 8 8		
	337	95001-35600-40	TUBE, FUEL, 3.5X600	2 2 2		
	338	95002-02070	CLIP B7, TUBE	6 6 6		
	339	95005-11470-30	TUBE, 11X470	1 1 1		
	340	95700-06016-00	BOLT, FLANGE, 6X16	3 3 3		
	341	95700-06020-00	BOLT, FLANGE, 6X20	4 4 4		
	342	95700-06028-00	BOLT, FLANGE, 6X28	11 11 11		
	343	95700-06032-00	BOLT, FLANGE, 6X32	10 10 10		
	344	95700-06035-00	BOLT, FLANGE, 6X35	2 2 2		
	345	95700-06040-00	BOLT, FLANGE, 6X40	19 19 19		
	346	95700-06060-00	BOLT, FLANGE, 6X60	8 8 8		
	347	95700-06090-00	BOLT, FLANGE, 6X90	3 3 3		
	348	95700-06100-00	BOLT, FLANGE, 6X100	1 1 1		
	349	95700-08032-00	BOLT, FLANGE, 8X32	1 1 1		
	350	95800-06055-00	BOLT, FLANGE, 6X55	1 1 1		
	351	96100-62050	BEARING, RADIAL BALL, 6205	2 2 2		
	352	96220-40118	ROLLER, 4X11.8	1 1 1		
	353	96220-40218	ROLLER, 4X21.8	1 1 1		
	354	98069-38710	PLUG, SPARK (D-8ES-L NGK)	4 4 4		
		98069-38716	PLUG, SPARK (DR8ES-L NGK)	4	2103573	A, E, G, F, ED CM
		98069-58726	PLUG, SPARK (X24ESR-U ND)	4	2103573	CM
	356	99124-076-0380	JET, SLOW #38	(4) (4) (4)		
		99124-076-0400	JET, SLOW #40 (STD.)	4 4 4		
		99124-076-0420	JET, SLOW (#42)	(4) (4) (4)		
	357	99202-601-0720	JET SET, MAIN (#72)	(4) (4) (4)		
		99202-601-0750	JET SET, MAIN (#75) (STD.)	4 4 4		
		99202-601-0780	JET SET, MAIN (#78)	(4) (4) (4)		

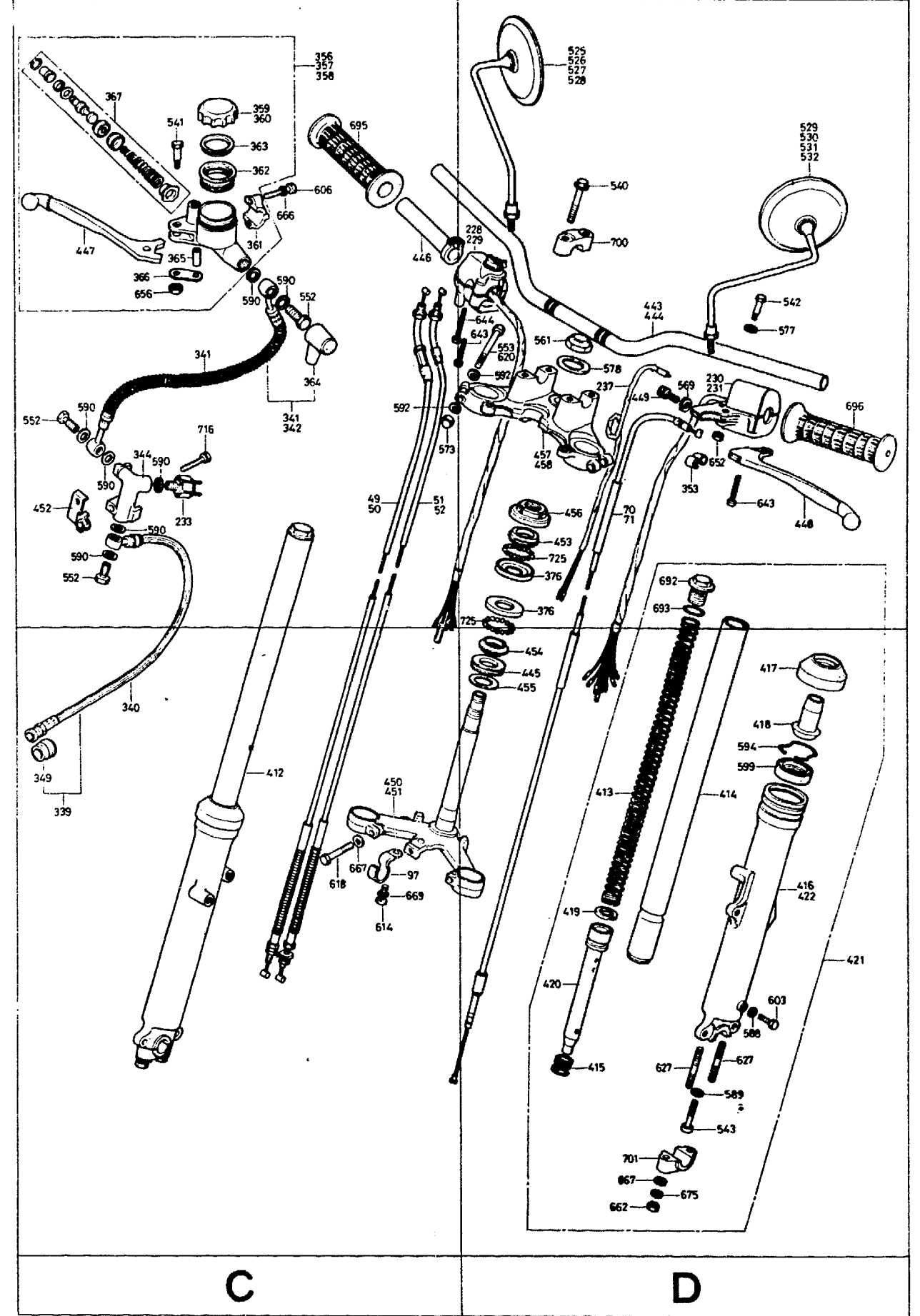
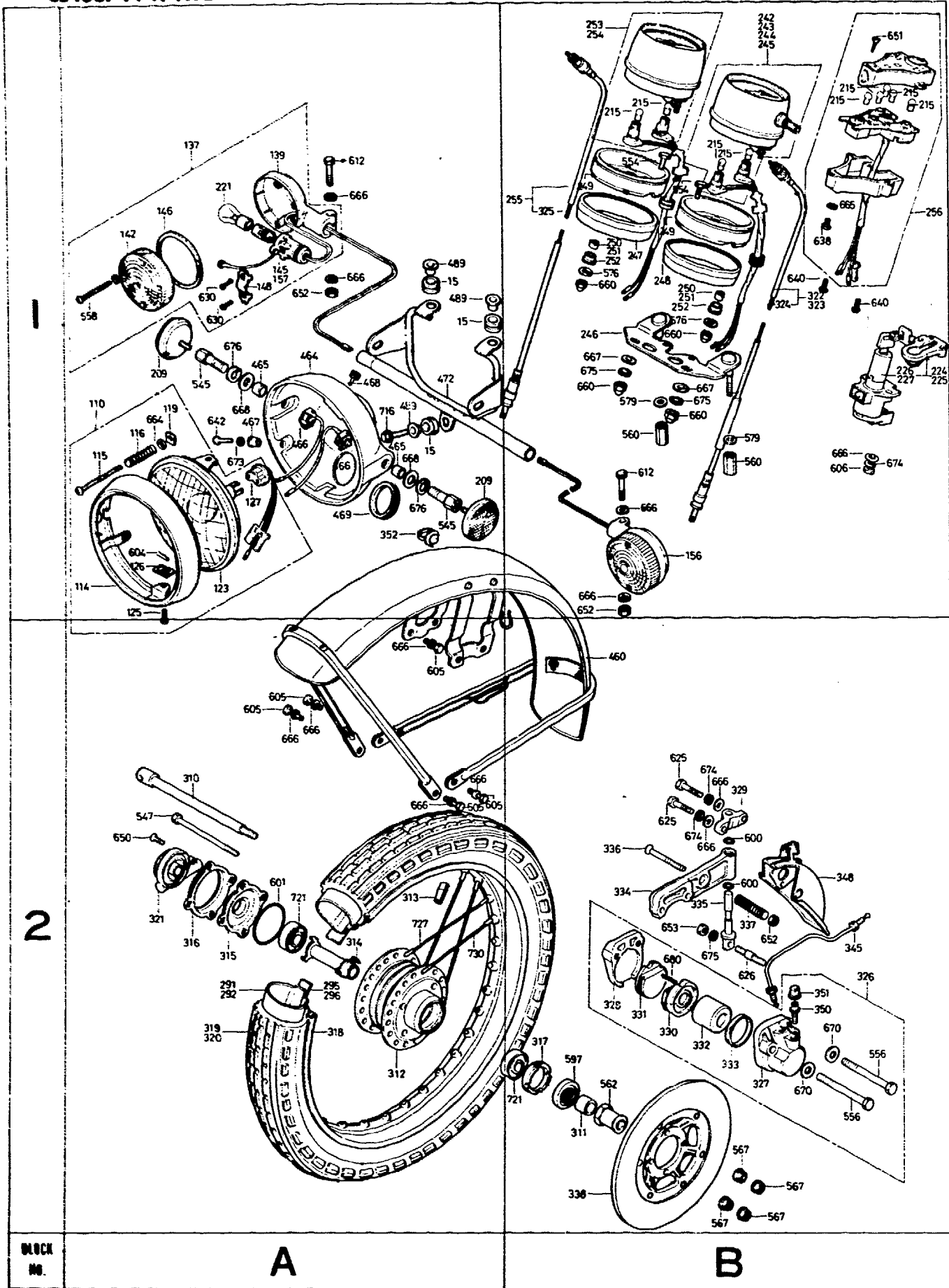
FRAME GROUP
CB400F-F1-A TYPE

Courtesy of  Honda4Fun
www.hondafour.com www.honda4fun.com



Courtesy of  Honda4Fun
www.hondafour.com www.honda4fun.com

FRAME GROUP



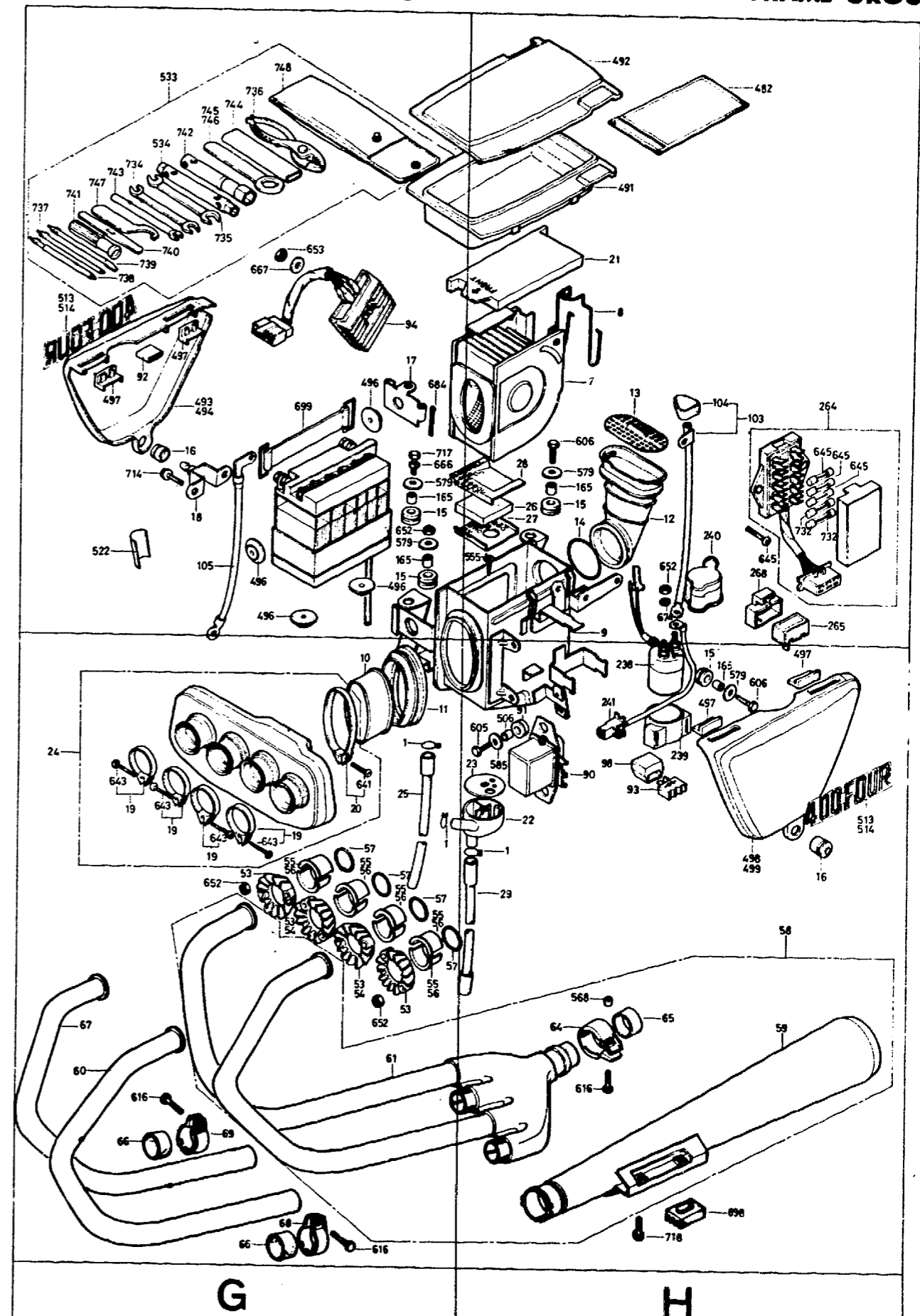
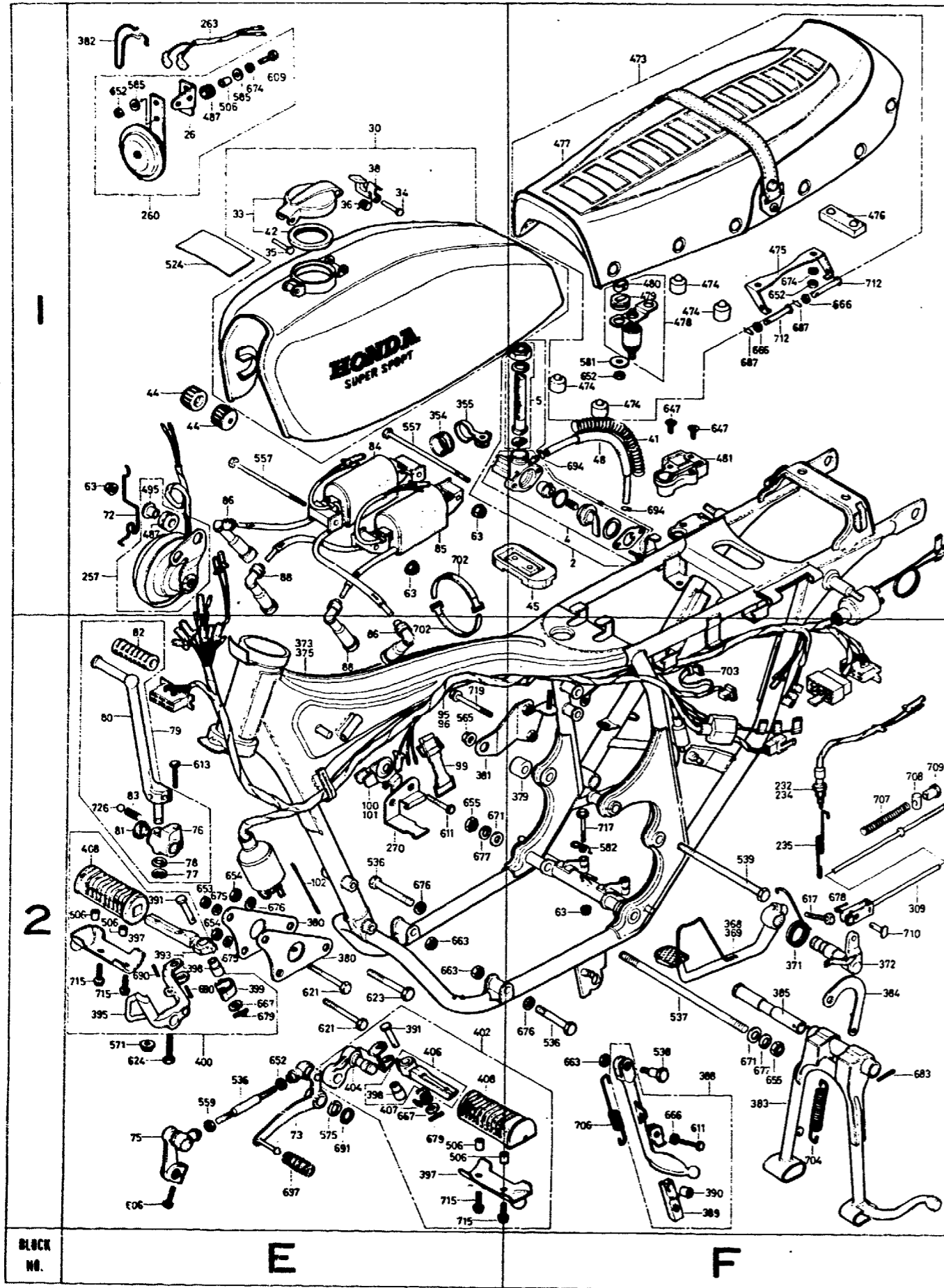
BLOCK
No.

A

B

C

D



BLACK
NO.

E

F

G

H

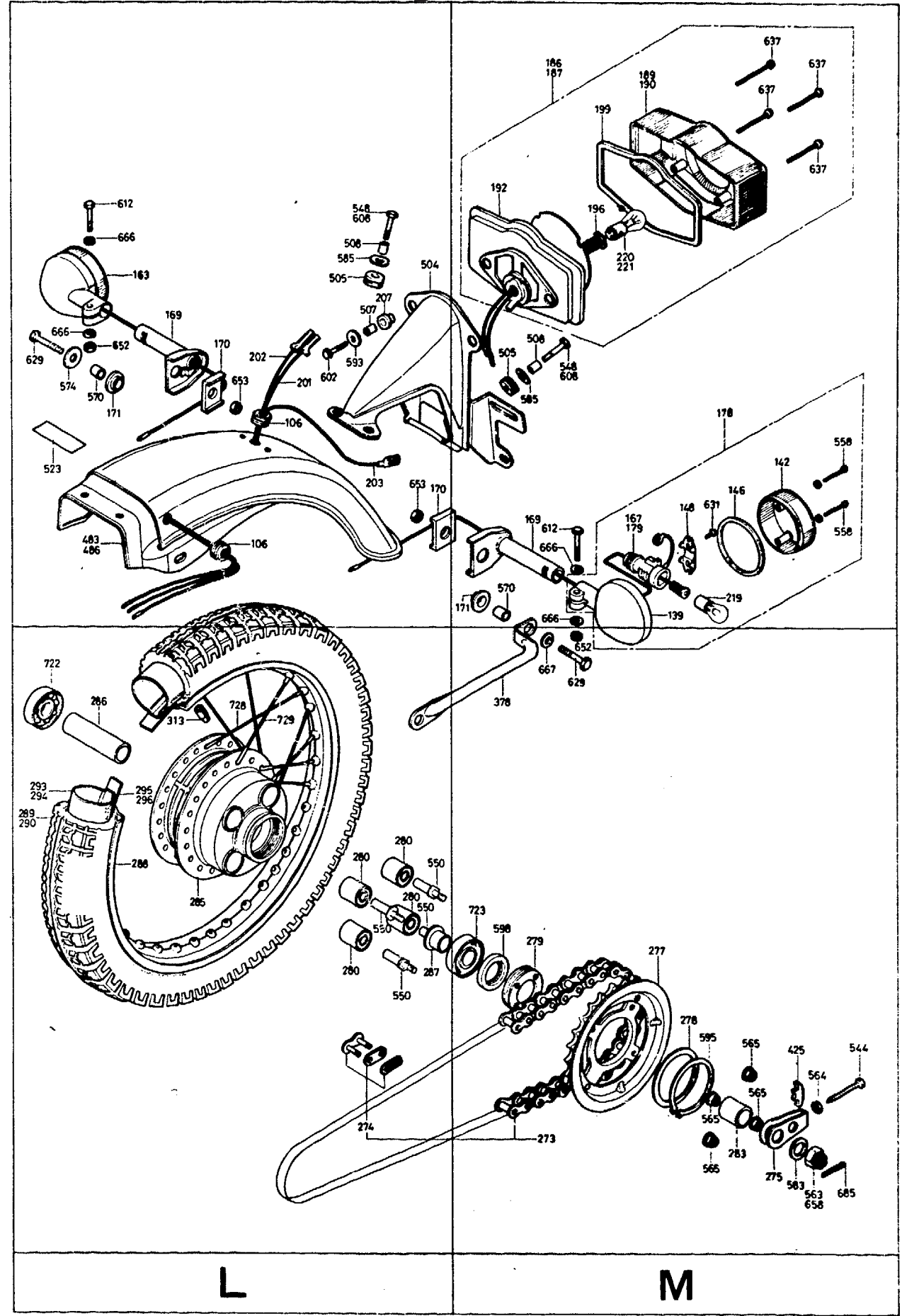
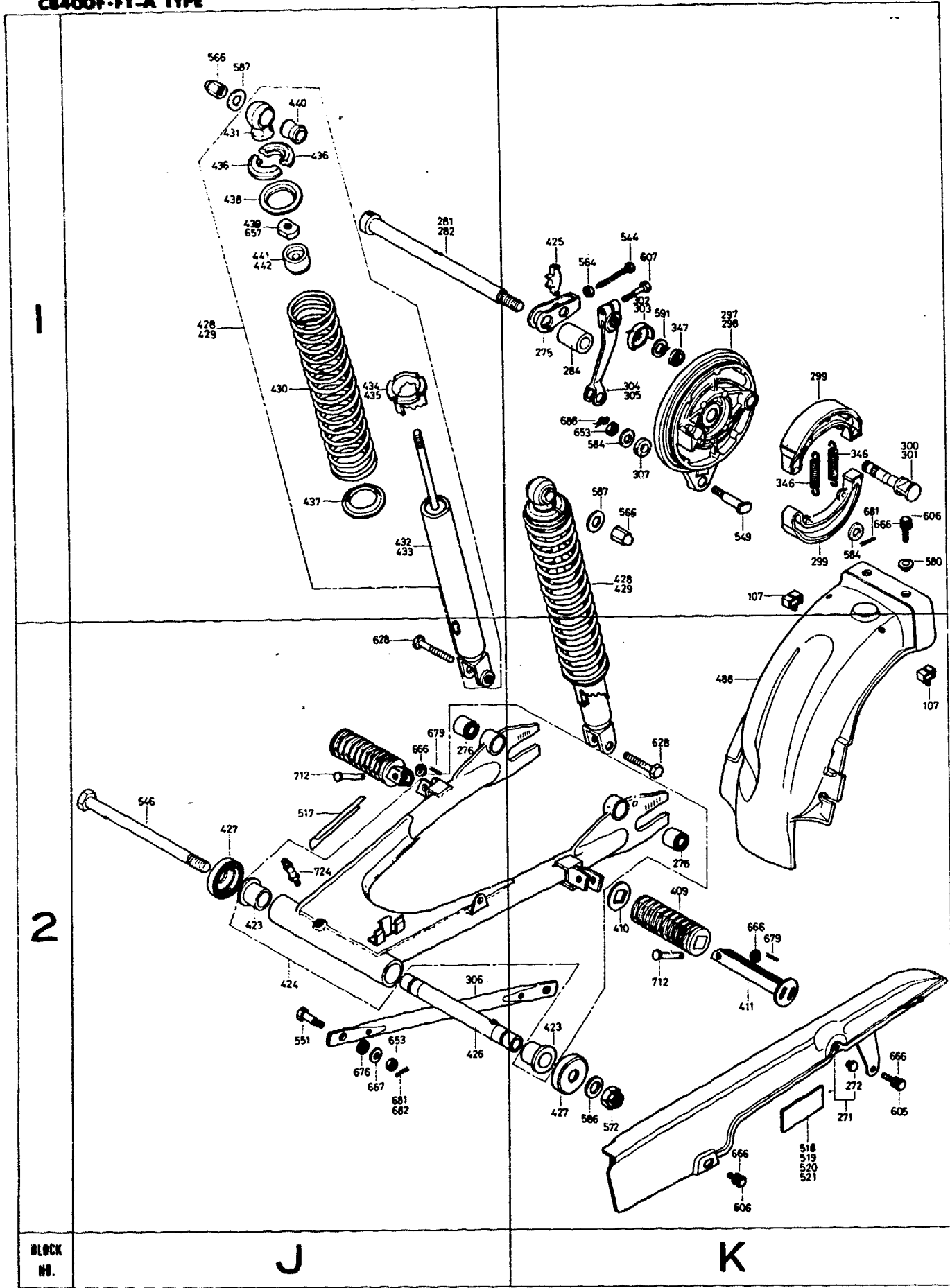
FRAME GROUP
CB400F-F1-A TYPE

Courtesy of  Honda4Fun
www.hondafour.com www.honda4fun.com

L 3

Courtesy of  Honda4Fun
www.hondafour.com www.honda4fun.com

FRAME GROUP



BLOCK NO.

J

K

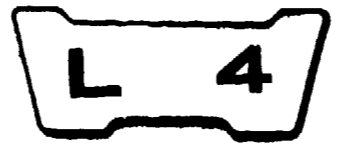
L

M

FRAME GROUP

Exclusive parts for each area

(Only exclusive parts for each type are described in the following illustrations. Therefore, refer to the basic CB400F-F1-A type illustration for the parts not shown in these illustrations.)

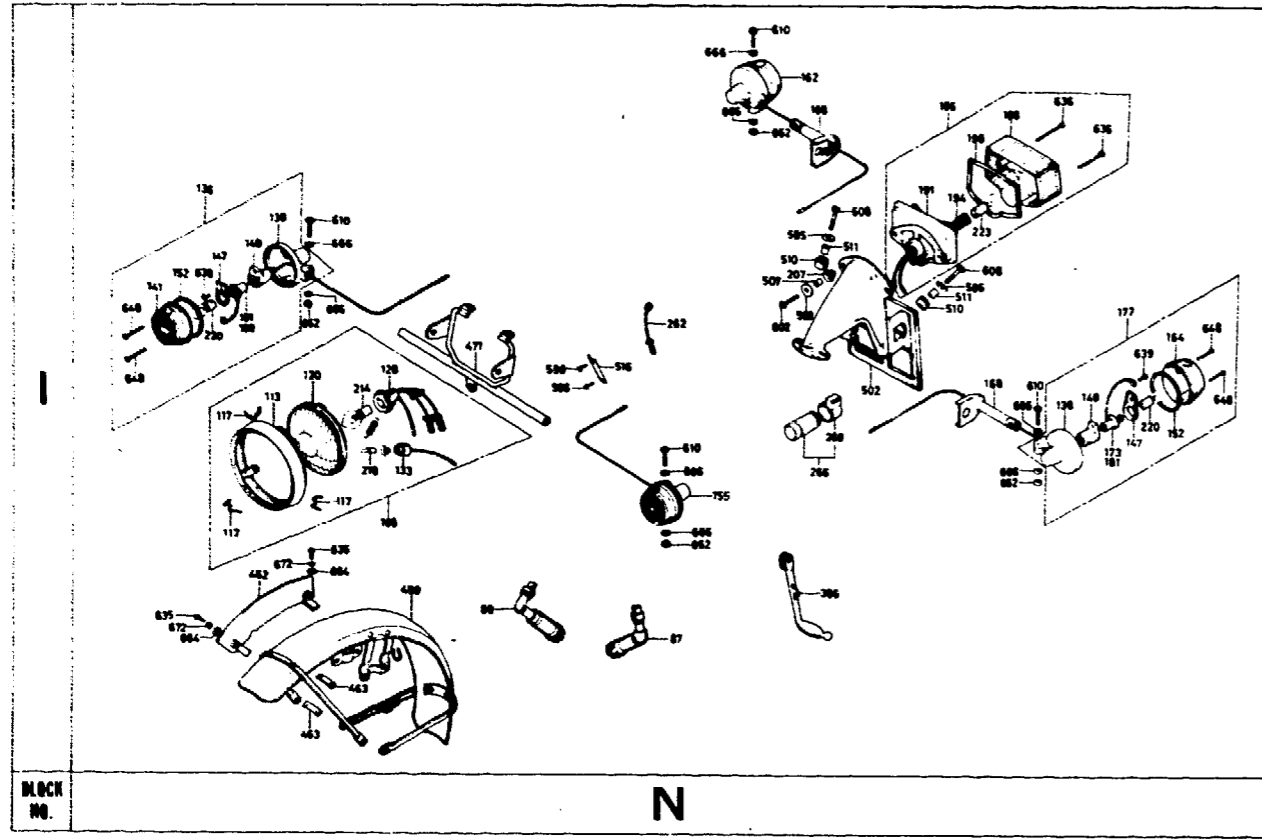


Exclusive parts for each area

FRAME GROUP

Courtesy of  Honda4Fun
www.hondafour.com www.honda4fun.com

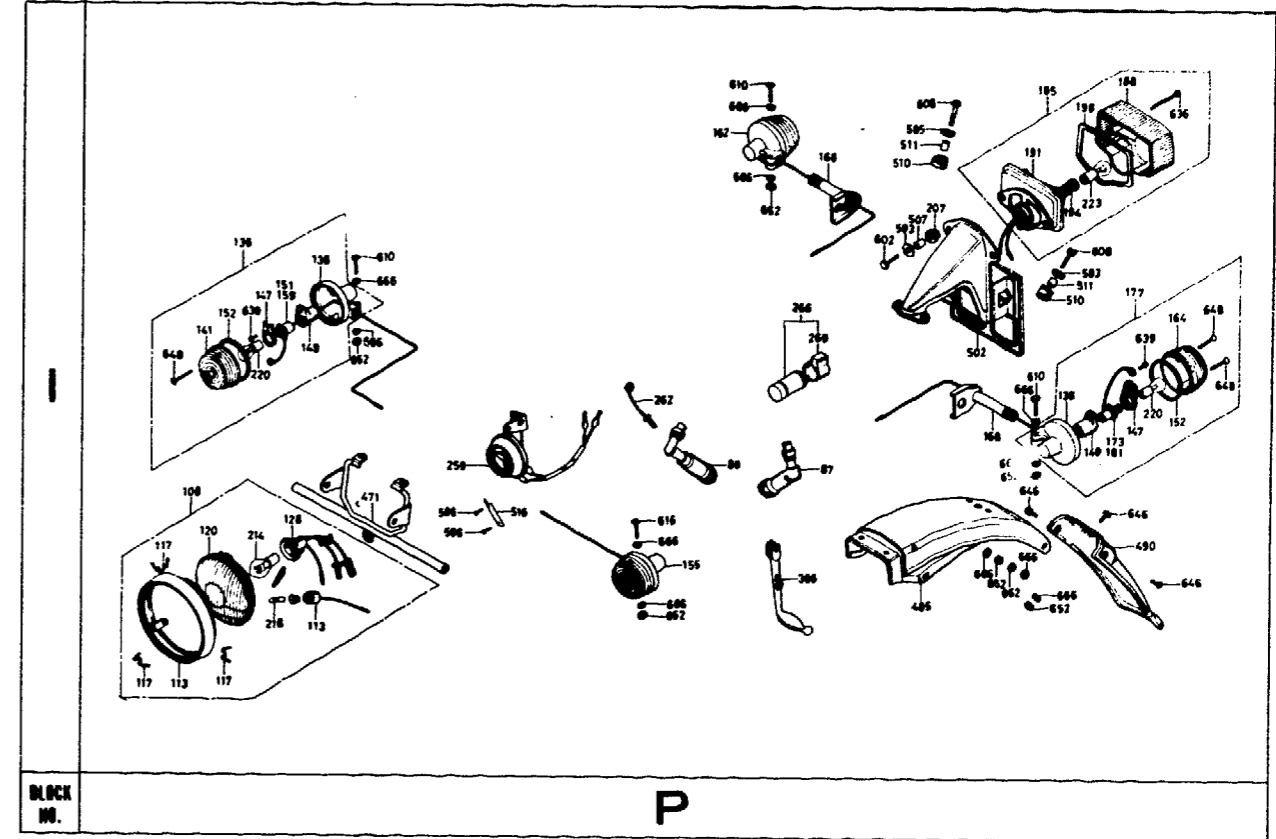
CB400F-F1-F2-E TYPE



BLK
NO.

BK377-14

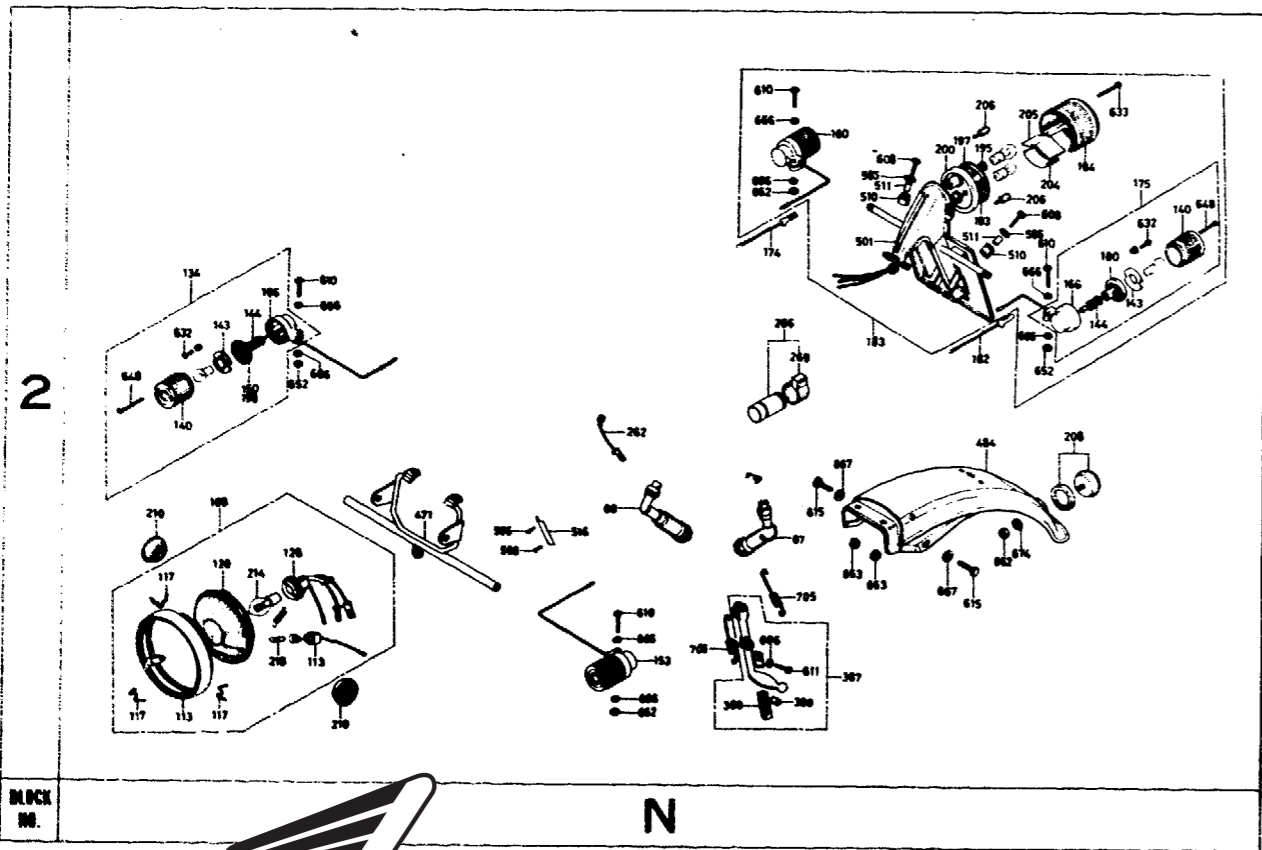
CB400F-F1-F2-ED-S TYPE



BLK
NO.

BK377-10

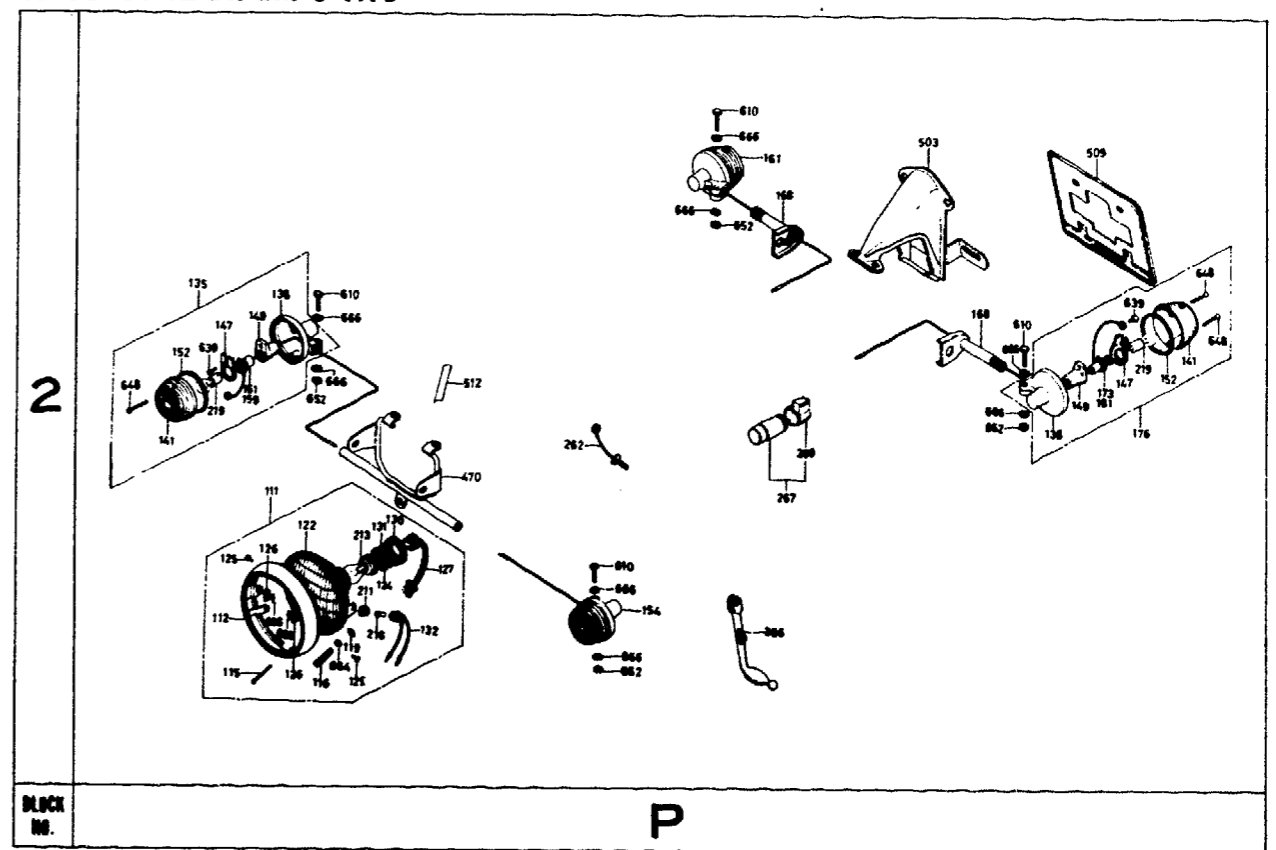
CB400F-F1-F2-G TYPE



BLK
NO.

BK377-12

CB400F-F1-F2-DK-DM-U TYPE



BLK
NO.

BK377-13

FRAME GROUP

Exclusive parts for each area

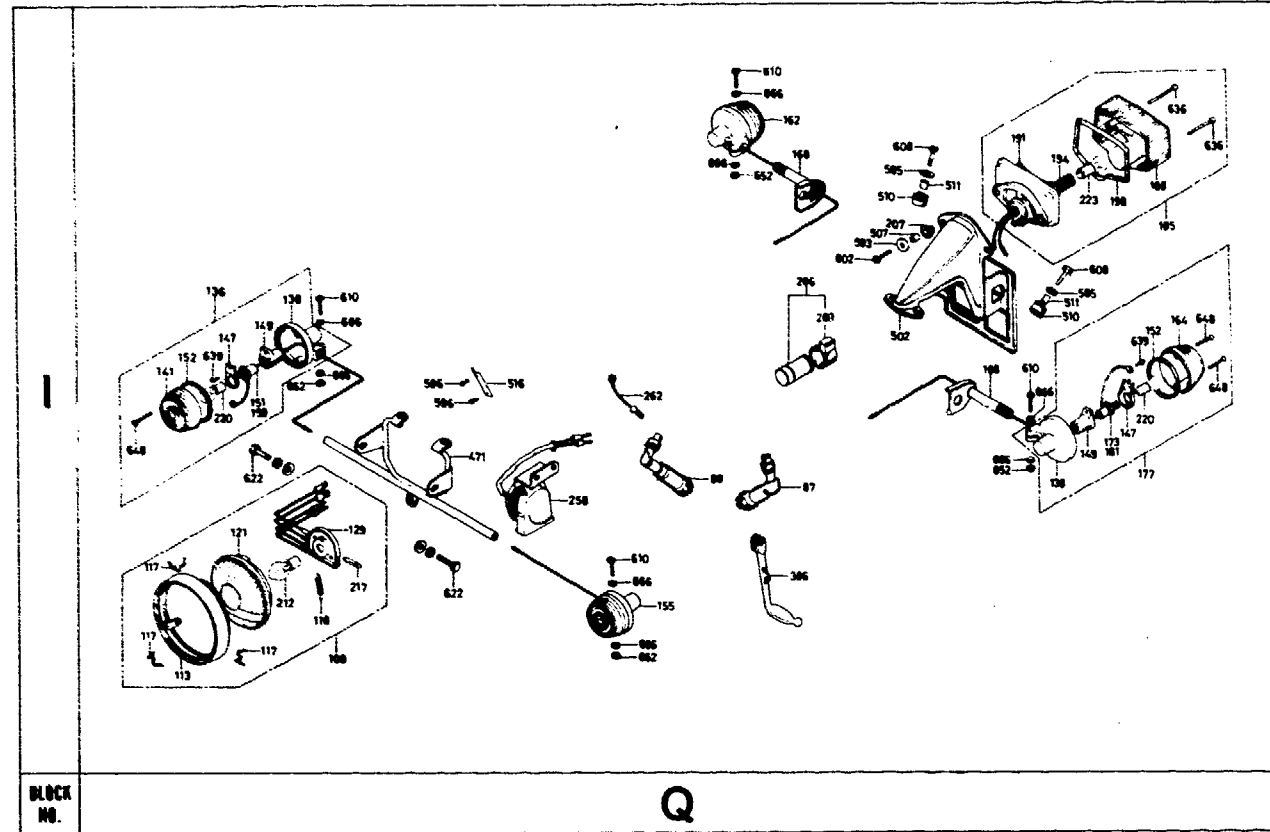


Exclusive parts for each area

FRAME GROUP

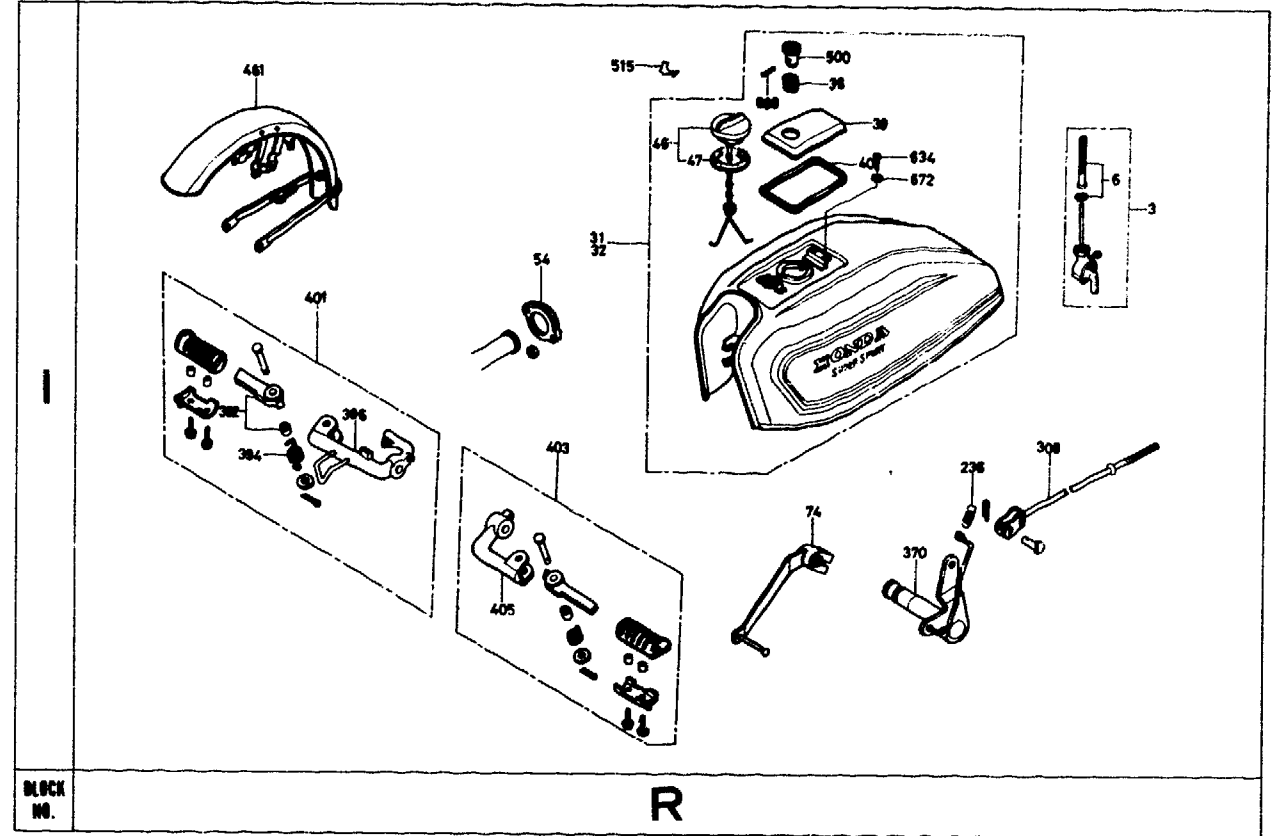
(The following illustration is only described exclusive parts for CB400F2-A type and based on CB400F-F1-A type.)

CB400F-F1-F2-F TYPE



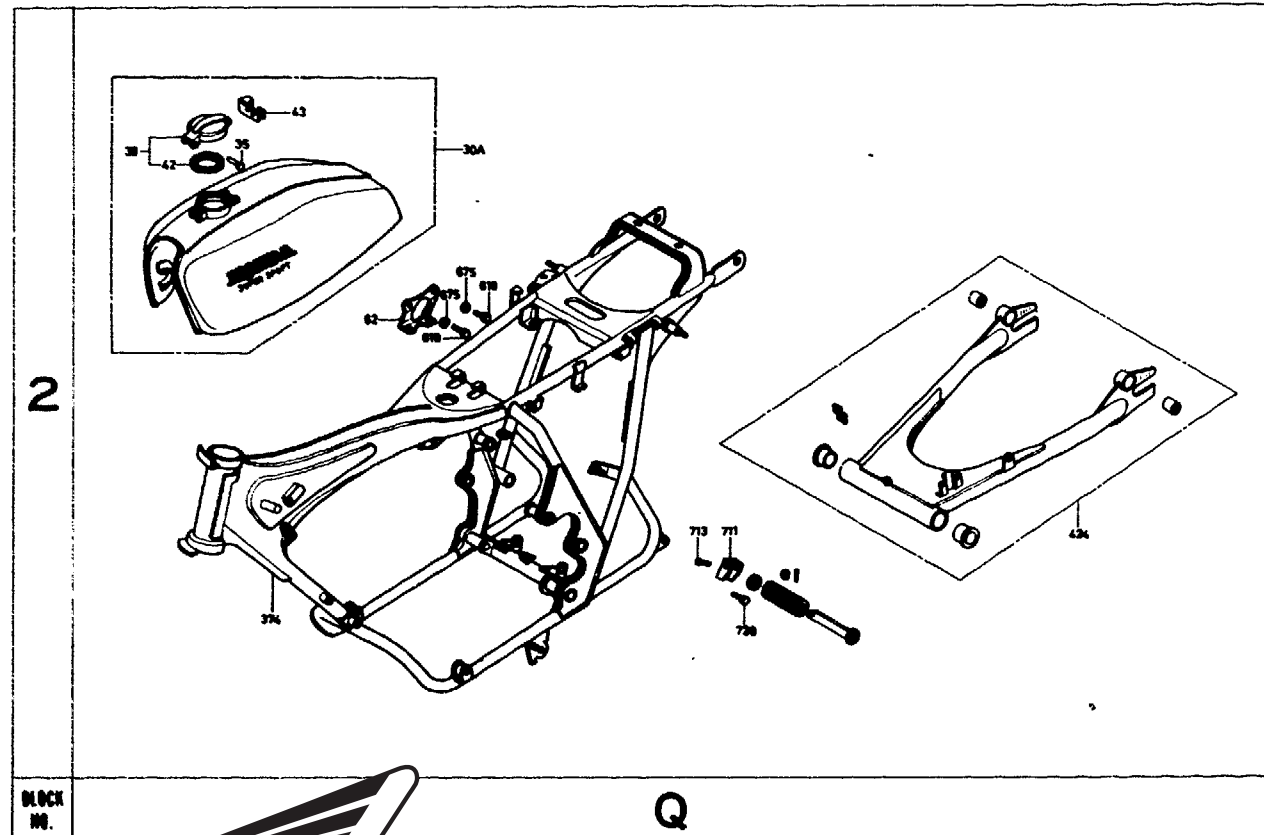
BK377-11

CB400F2-A TYPE



BK377-04

CB400F-F1-F2-E-ED-F-G-S TYPE



BK377-15



FRAME GROUP

Ref. No. 1 ~ 35

Ref. No. 36 ~ 70

FRAME GROUP

Block No.	Ref. No.	Part No.	Description	Reqd. No. CB400 F F1 F2	Serial No.	Area Code
2G	1	15772-292-010	CLIP, BREATHER TUBE	3 3 3		
1F	2	16950-377-005	COCK, FUEL (KEIHIN)	1 1 1		A,CH,DK,DM,U E,ED,F,G,S
1R	3	16950-377-701	COCK ASSY., FUEL	1		A,CH
1F	4	16951-377-005	BODY SET, FUEL COCK.(KEIHIN)	1 1 1		A,CH,DK,DM,U E,ED,F,G,S
1F	5	16952-341-671	STRAINER SET	1 1 1		A,CH,DK,DM,U E,ED,F,G,S
1R	6	16952-377-701	SCREEN SET, FUEL STRAINER	1		A,CH
1H	7	17210-333-610	ELEMENT, AIR CLEANER	1 1 1		
1H	8	17216-333-010	SPRING, CLEANER ELEMENT	1 1 1		
1H	9	17230-377-010	CASE COMP., AIR CLEANER	1 1 1		
2G	10	17235-333-000	GUIDE, AIR DUCT	1 1 1		
2G	11	17236-333-000	SEAL, AIR CLEANER ELEMENT	1 1 1		
1H	12	17240-333-000	DUCT, AIR CLEANER IN.	1 1 1		
1H	13	17241-333-000	NET, AIR IN.	1 1 1		
1H	14	17242-333-000	BAND, AIR CLEANER IN.	1 1 1		
1A	15	17245-107-010	RUBBER, AIR CLEANER CASE MOUNTING	7 7 7		
1G	16	17245-369-000	GROMMET, SIDE COVER	2 2 2		
1G	17	17252-333-000	PLATE, BATTERY HINGE	1 1 1		
1G	18	17253-377-000	BRACKET, SIDE COVER	1 1 1		
2G	19	17255-333-000	BAND A, AIR CLEANER CONNECTING TUBE	4 4 4		
2G	20	17256-333-000	BAND B, CLEANER CONNECTING TUBE	1 1 1		
1H	21	17260-333-000	LID, AIR CLEANER CASE	1 1 1		
2H	22	17271-611-010	CHAMBER, BREATHER	1 1 1		
2H	23	17272-377-000	PACKING, BREATHER	1 1 1		
2G	24	17300-333-000	CHAMBER ASSY., AIR CLEANER	1 1 1		
2G	25	17335-323-000	TUBE ASSY., BREATHER	1 1 1		
1H	26	17352-377-000	ELEMENT B	1 1 1		
1H	27	17354-377-000	PLATE A, PANCHING	1 1 1		
1H	28	17355-377-000	PLATE B, PANCHING	1 1 1		
2H	29	17358-374-000	TUBE ASSY., DRAIN	1 1 1		
1E	30	17500-377-670HX	TANK ASSY., FUEL	1 1 1	1073399	E,ED,F,G,S A,DK,DM,U
		17500-377-670HW	TANK ASSY., FUEL	1 1 1	1073399	E,ED,F,G,S A,DK,DM,U
2Q	30A	17500-377-600ZA	TANK ASSY., FUEL *R-6C-S*	1	1073400	E,ED,F,G,S
		17500-377-600ZB	TANK ASSY., FUEL *Y-31*	1	1073400	E,ED,F,G,S
1R	31	17500-377-720ZA	TANK ASSY., FUEL *R-6C-S*	1		A,CH
		17500-377-720ZB	TANK ASSY., FUEL *Y-31*	1		A,CH
1R	32	17500-377-770HX	TANK ASSY.	1		
		17500-377-770QE	TANK ASSY.	1		
1E	33	17510-323-310	CAP COMP., FUEL TANK	1 1 1		A,CH,DK,DM,U E,ED,F,G,S
1E	34	17513-300-300	PIN, FUEL FILLER CAP CHECK	1 1 1		A,CH,DK,DM,U E,ED,F,G,S
1E	35	17514-323-300	PIN B, FUEL FILLER CAP	1 1 1		A,CH,DK,DM,U E,ED,F,G,S

Block No.	Ref. No.	Part No.	Description	Reqd. No. CB400 F F1 F2	Serial No.	Area Code
1E	36	17515-300-300	SPRING, FUEL FILLER CAP CHECK	1 1 1		A,CH,DK,DM,U E,ED,F,G,S
1R	37	17516-383-670	SPRING B, FUEL TANK LID	1		A,CH
1E	38	17517-300-340	CHECK, FUEL FILLER CAP	1 1 1		A,CH,DK,DM,U E,ED,F,G,S
1R	39	17520-377-720ZA	LID COMP., FUEL TANK *NH-1*	1		A,CH
1R	40	17522-377-720	PACKING, TANK LID	1		A,CH
1F	41	17531-377-000	SPRING, FUEL TUBE COVER	1 1 1		
1E	42	17534-323-300	GASKET, FUEL FILLER CAP	1 1 1		A,CH,DK,DM,U E,ED,F,G,S
2Q	43	17550-377-601	CHECK ASSY., CAP	1	1073400	E,ED,F,G,S
1E	44	17611-286-000	CUSHION, FUEL TANK FR.	2 2 2		
1F	45	17613-377-000	CUSHION, FUEL TANK RR.	1 1 1		
1R	46	17620-377-720	CAP COMP., FUEL FILLER	1		A,CH
1R	47	17631-329-000	PACKING, FUEL FILLER CAP	1		A,CH
1F	48	17681-377-000	TUBE, FUEL	1 1 1		
1C	49	17910-377-000	CABLE COMP. A, THROTTLE	1 1 1		A,CH,DK,DM,U E,ED,F,G,S
1C	50	17910-377-710	CABLE COMP. A, THROTTLE	1		A,CH
1C	51	17920-377-000	CABLE COMP. B, THROTTLE	1 1 1		A,CH,DK,DM,U E,ED,F,G,S
1C	52	17920-377-710	CABLE COMP. B, THROTTLE	1		A,CH
2G	53	18231-333-010	JOINT, EX. PIPE	4 4 4		A,CH,DK,DM,U E,ED,F,G,S
1R	54	18231-377-720	JOINT, EX. PIPE	4		A,CH
2G	55	18233-107-000	COLLAR, EX. PIPE JOINT	8		A,CH
2G	56	18233-303-010	COLLAR, EX. PIPE JOINT	8 8 8		A,CH,DK,DM,U E,ED,F,G,S
2G	57	18291-028-000	GASKET, EX. PIPE	4 4 4		
2H	58	18300-377-305	MUFFLER COMP., EX.	1 1 1		
2H	59	18310-377-003	MUFFLER COMP., R.	1 1 1	1066239	DK,DM,E,ED,F,G,S,U
		18310-377-013	MUFFLER COMP.	1 1 1	2100806	A,CH
2G	60	18320-377-000	PIPE 1, EX.	1 1 1	1066240	DK,DM,E,ED,F,G,S,U
2G	61	18340-377-305	JOINT COMP., MUFFLER	1 1 1	2100807	A,CH
		18340-377-315	JOINT COMP., MUFFLER	1 1 1	1066239	DK,DM,E,ED,F,G,S,U
2Q	62	18353-377-610	BRACKET, MUFFLER	1	1066240	DK,DM,E,ED,F,G,S,U
1E	63	18362-720-000	NUT, FLANGE, 6MM	6 6 6	2100807	A,CH
2H	64	18372-319-300	BAND, MUFFLER	1 1 1	1056883	E,ED,F,G,S
2H	65	18391-292-300	PACKING, MUFFLER	1 1 1		
2G	66	18391-375-000	PACKING, MUFFLER	2 2 2		
2G	67	18420-377-000	PIPE 3, EX.	1 1 1		
2G	68	18431-375-000	BAND, R. PRE CHAMBER	1 1 1		
2G	69	18434-375-000	BAND, L. PRE CHAMBER	1 1 1		
1D	70	22870-377-000	CABLE COMP., CLUTCH	1 1 1		A,CH,DK,DM,U E,ED,F,G,S



FRAME GROUP

Ref. No. 71 ~ 105

Ref. No. 106 ~ 145

FRAME GROUP

Block No.	Ref. No.	Part No.	Description	Reqd. No. CB400 F F1 F2	Serial No.	Area Code
1D	71	22870-377-710	CABLE COMP., CLUTCH	1		A,CM
1E	72	22872-356-000	CLAMP, CLUTCH WIRE	1 1 1		
2E	73	24700-377-000	PEDAL COMP., GEAR CHANGE	1 1 1		A,CM,DK,DM,U E,ED,F,G,S
1R	74	24700-377-720	PEDAL COMP., GEAR CHANGE	1		A,CM
		24701-377-720	PEDAL, GEAR CHANGE	1		A,CM
2E	75	24710-377-000	ARM COMP., GEAR CHANGE	1 1 1		A,CM,DK,DM,U E,ED,F,G,S
2E	76	28241-333-010	JOINT, KICK ARM	1 1 1		
2E	77	28293-333-000	CLIP, KICK STARTER ARM	1 1 1		
2E	78	28294-333-000	WASHER, KICK ARM	1 1 1		
2E	79	28300-377-000	ARM COMP., KICK STARTER	1 1 1		
2E	80	28301-377-000	ARM, KICK STARTER	1 1 1		
2E	81	28305-333-010	CAP, KICK ARM	1 1 1		
2E	82	28311-329-000	RUBBER, KICK STARTER	1 1 1		
2E	83	28333-333-000	SPRING, KICK STARTER STOPPER	1 1 1		
1E	84	30510-333-013	COIL ASSY., R. IGNITION	1 1 1		
1E	85	30520-333-013	COIL ASSY., L. IGNITION	1 1 1		
1E	86	30700-300-010	CAP ASSY. A, NOISE SUPPRESSER	2 2 2		A,CM,DK,DM,U A
		30700-405-153	CAP ASSY. A, NOISE SUPPRESSER	2	2103567	CM
1N	87	30700-341-620	CAP ASSY. A, NOISE SUPPRESSER	2 2		E,ED,F,G,S
1E	88	30701-323-013	CAP ASSY. C, NOISE SUPPRESSOR	2 2	1054104 2008020	DK,DM,U A
		30701-323-023	CAP ASSY. C, NOISE SUPPRESSOR	2 2	1054105 2008021	DK,DM,U A
		30700-390-153	CAP ASSY. C, NOISE SUPPRESSOR	2	2103567	CM
1N	89	30701-323-622	CAP ASSY. C, NOISE SUPPRESSER	2 2		E,ED,F,G,S
2H	90	31400-333-004	REGULATOR ASSY. (ND)	1 1 1		
2H	91	31403-323-000	RUBBER, REGULATOR CUSHION	2 2 2		
1G	92	31503-044-670	RUBBER B, BATTERY MOUNTING	1 1 1		
2H	93	31700-124-003	RECTIFIER ASSY., SILICON (STANLEY)	1 1 1		
		31700-124-008	RECTIFIER ASSY., SILICON (SHINDENGEN)	1 1		A,CM
1G	94	31700-333-008	RECTIFIER ASSY., SILICON	1 1 1		
2E	95	32100-377-020	HARNESS, WIRE 32100-377-030	1	1046134	
		32100-377-030	HARNESS, WIRE	1 1	1046135	E,ED,F,G,S
2E	96	32100-377-030	HARNESS, WIRE	1 1		A,CM
2C	97	32123-375-000	CLIP D, WIRE HARNESS	1 1 1		
2H	98	32125-124-300	HOLDER, COUPLER	1 1 1		
2E	99	32161-377-000	BAND, WIRE HARNESS	1 1 1		
2E	100	32174-377-000	HOLDER, WIRE HARNESS	1 1 1		A,CM,DK,DM,U E,ED,F,G,S
2E	101	32174-392-000	HOLDER, WIRE HARNESS	1		A,CM
2E	102	32200-377-671	HARNES, SUB	1 1 1		A,CM
1H	103	32401-333-000	CABLE, STARTER BATTERY	1 1 1		
1H	104	32412-333-000	COVER, BATTERY TERMINAL	1 1 1		
1G	105	32601-286-000	CABLE, BATTERY EARTH	1 1 1		

Block No.	Ref. No.	Part No.	Description	Reqd. No. CB400 F F1 F2	Serial No.	Area Code
1L	106	32983-011-000	GROMMET, WIRE CORD	2 2 2		
1K	107	32985-300-000	GROMMET, WIRE CORD	2 2 2		
1N	108	33100-369-611	HEADLIGHT ASSY. (12V 35/35W 4W)	1	1067421	E,ED,G,S
		33100-369-612	HEADLIGHT ASSY.	1 1	1067422	E,ED,G,S
1Q	109	33100-369-621	HEADLIGHT ASSY. (12V 36/36W 4W)	1 1		F
1A	110	33100-369-671	HEADLIGHT ASSY. (12V 50/35W)	1 1 1		A,CM
2P	111	33100-377-000	HEADLIGHT ASSY. (12V 50/40W)	1		DK,DM,U
2P	112	33101-369-000	RIM, HEADLIGHT	1		DK,DM,U
1N	113	33101-369-620	RIM, HEADLIGHT	1 1		E,ED,F,G,S
1A	114	33101-369-670	RIM, HEADLIGHT	1 1 1		A,CM
1A	115	33103-333-000	SCREW, BEAM ADJUSTING, 4MM	1 1 1		A,CM,DK,DM,U
1A	116	33107-333-000	SPRING, HEADLIGHT BEAM ADJUSTING	1 1 1		A,CM,DK,DM,U
1N	117	33108-369-003	SPRING, HEADLIGHT SETTING	3 3		E,ED,F,G,S
1Q	118	33115-286-621	SPRING, SOCKET HOLDER	1 1		F
1A	119	33117-001-023	NUT, HEADLIGHT BEAM ADJUSTING	1 1 1		A,CM,DK,DM,U
1N	120	33120-268-632	HEADLIGHT UNIT	1 1		E,ED,G,S
1Q	121	33120-286-621	HEADLIGHT UNIT	1 1		F
2P	122	33120-333-000	HEADLIGHT UNIT	1		DK,DM,U
1A	123	33120-333-670	HEADLIGHT UNIT (12V 50/35W)	1 1 1		A,CM
2P	124	33123-333-003	PACKING, BULB	1		DK,DM,U
1A	125	33125-087-761	SCREW, UNIT HOLDER	2 2 2		A,CM,DK,DM,U
1A	126	33128-200-033	NUT, UNIT HOLDER	2 2 2		A,CM,DK,DM,U
1A	127	33130-333-000	SOCKET COMP., HEADLIGHT	1 1 1		A,CM,DK,DM,U
1N	128	33130-369-600	SOCKET, HEADLIGHT	1 1		E,ED,G,S
1Q	129	33130-369-620	SOCKET, HEADLIGHT	1 1		F
2P	130	33131-333-000	HOLDER, HEADLIGHT SOCKET	1		DK,DM,U
2P	131	33132-333-003	WASHER	1		DK,DM,U
2P	132	33140-303-003	SOCKET COMP., POSITION	1		DK,DM,U
1N	133	33170-268-003	SOCKET COMP., MARKER LIGHT	1 1		E,ED,G,S
2N	134	33400-292-612	WINKER ASSY., R. FR.	1 1		G
2P	135	33400-292-670	WINKER ASSY., R. FR.	1		DK,DM,U
1N	136	33400-317-730	WINKER ASSY., R. FR.	1 1		E,ED,F,S
1A	137	33400-377-671	WINKER ASSY., R. FR.	1 1 1		A,CM
1N	138	33401-292-003	BASE, WINKER	4 4		DK,DM,E,ED,F,S,U
1A	139	33401-377-671	BASE, R. FR. WINKER	4 4 4		A,CM
2N	140	33402-268-610	LENS, FR. WINKER	4 4		G
1N	141	33402-268-671	LENS, WINKER	4 2 2		DK,DM,U E,ED,F,S
1A	142	33402-377-671	LENS, FR. WINKER	4 4 4		A,CM
2N	143	33403-285-010	RING, WINKER	4 4		G
2N	144	33404-285-000	SPRING, COIL	4 4		G
1A	145	33405-377-671	SOCKET COMP., R. FR. WINKER	1 1 1		A,CM



FRAME GROUP

Ref. No. 146 ~ 185

Ref. No. 186 ~ 215

FRAME GROUP

Block No.	Ref. No.	Part No.	Description	Reqd. No. CB400 F F1 F2	Serial No.	Area Code	Block No.	Ref. No.	Part No.	Description	Reqd. No. CB400 F F1 F2	Serial No.	Area Code
1A	146	33406-377-671	PACKING, WINKER LENS	4 4 4		A,CM	1M	186	33701-342-671	TAILLIGHT UNIT	1 1		A,CM
1N	147	33407-284-003	HOLDER, WINKER SOCKET	4 4		DK,DM,E,ED,F,S,U			33701-341-910	TAILLIGHT UNIT (12V 32/3CP)	1 1		A,CM
1A	148	33407-377-671	HOLDER, FR. WINKER SOCKET	4 4 4		A,CM	1M	187	33701-344-003	TAILLIGHT UNIT	1	1067005	DK,DM,U
1N	149	33408-341-701	RUBBER, WINKER CUSHION	4 4		DK,DM,E,ED,F,S,U			33701-341-900	TAILLIGHT UNIT	1	1067006	DK,U
2N	150	33410-292-610	SOCKET ASSY., R. FR. WINKER	1 1		G	1N	188	33702-323-603	LENS, TAILLIGHT	1		E,ED,F,S
1N	151	33410-361-003	SOCKET, R. FR. WINKER	1 1		DK,DM,E,ED,F,S,U			33702-323-604	LENS, TAILLIGHT	1	1071519	E,F
1N	152	33443-268-671	PACKING, FR. WINKER LENS	4 4		DK,DM,E,ED,F,S,U	1M	189	33702-341-003	LENS, TAILLIGHT	1	1071520	E,F
2N	153	33450-292-612	WINKER ASSY., L. FR.	1 1		G	1M	190	33702-341-671	LENS, TAILLIGHT	1 1 1		DK,DM,U
2P	154	33450-292-670	WINKER ASSY., L. FR.	1		DK,DM,U	1N	191	33703-333-620	BASE, TAILLIGHT	1 1		A,CM
1N	155	33450-317-730	WINKER ASSY., L. FR.	1 1		E,ED,F,S	1M	192	33703-342-671	BASE COMP., TAILLIGHT	1 1	1067005	E,ED,F,S
1B	156	33450-377-671	WINKER ASSY., L. FR.	1 1 1		A,CM			33703-341-900	BASE COMP., TAILLIGHT	1 1	1067006	DK,U
1A	157	33455-377-671	SOCKET COMP., L. FR. WINKER	1 1 1		A,CM	2N	193	33707-292-610	CORD COMP., TAILLIGHT	1 1		A,CM
2N	158	33460-292-610	SOCKET ASSY., L. FR. WINKER	1 1		G	1N	194	33708-077-671	CORD COMP., TAILLIGHT	1 1		DK,DM,U
1N	159	33460-361-003	SOCKET COMP., L. WINKER	1 1		DK,DM,E,ED,F,S,U	2N	195	33708-292-610	CORD, STOP LIGHT	1 1		A,CM
2N	160	33600-292-611	WINKER ASSY., R. RR.	1 1		G	1M	196	33708-341-671	CORD COMP., TAILLIGHT	1 1 1		E,ED,F,S
2P	161	33600-300-000	WINKER ASSY., R. RR.	1		DK,DM,U	2N	197	33709-051-000	PACKING, TAILLIGHT LENS	1 1		G
1N	162	33600-333-730	WINKER ASSY., R. RR.	1 1		E,ED,F,S	1N	198	33709-077-671	PACKIN, TAILLIGHT LENS	1 1		A,CM,DK,DM,U
1L	163	33600-377-671	WINKER ASSY., R. RR.	1 1 1		A,CM	1M	199	33709-341-671	PACKING, TAILLIGHT LENS	1 1 1		S
1N	164	33602-323-631	LENS, RR. WINKER	2 2		E,ED,F,S	2N	200	33710-292-610	SOCKET, TAILLIGHT	1 1		E,ED,F,S
1G	165	33603-053-650	COLLAR, RR. WINKER STAY	4 4 4			1M	199	33709-341-671	PACKING, TAILLIGHT LENS	1 1 1		A,CM,DK,DM,U
2N	166	33605-292-610	BASE, WINKER	4 4		G	2N	200	33710-292-610	SOCKET, TAILLIGHT	1 1		G
1M	167	33605-377-671	SOCKET COMP., R.	1 1 1		A,CM	1L	201	33710-333-000	SUB CORD, STOP LIGHT	1 1 1		A,CM,DK,DM,E,ED,F,S,U
1N	168	33607-377-000	STAY, RR. WINKER	2 2		DK,DM,E,ED,F,S,U	1L	202	33711-333-000	SUB CORD, TAILLIGHT	1 1 1		A,CM,DK,DM,E,ED,F,S,U
1L	169	33607-377-670	STAY, RR. WINKER	2 2 2		A,CM	1L	203	33712-300-003	CORD, TAILLIGHT EARTH	1 1 1		A,CM,DK,DM,E,ED,F,S,U
1L	170	33608-300-000	RUBBER, RR. WINKER MOUNT	2 2 2		A,CM,DK,DM,E,ED,	2N	204	33715-051-000	LENS, LICENSE	1 1		G
1L	171	33609-292-000	RUBBER B, RR. WINKER MOUNT	2 2 2		A,CM,DK,DM,E,ED,	2N	205	33716-051-000	PLATE, INTERCEPTION	1 1		G
2N	172	33610-292-610	SOCKET ASSY., R. RR. WINKER	1 1		G	2N	206	33717-292-610	BOLT, TAILLIGHT SETTING	2 2		G
1N	173	33610-300-000	SOCKET COMP., R. RR. WINKER	1 1		DK,DM,E,ED,F,S,U	1L	207	33719-077-671	PACKING B, TAILLIGHT BASE	2 2	1067005	DK,U
2N	174	33616-304-650	SUB CORD, R. WINKER	1 1		G			31403-300-000	RUBBER, REGULATOR CUSHION	2 2	1067006	A,CM
2N	175	33650-292-611	WINKER ASSY., L. RR.	1 1		G	2N	208	33741-333-610	REFLECTOR, REFLEX	1 1	1079668	DK,DM,U
2P	176	33650-300-000	WINKER ASSY., L. RR.	1		DK,DM,U			33741-333-611	REFLECTOR, REFLEX	1 1	1079669	A,CM
1N	177	33650-333-730	WINKER ASSY., L. RR.	1 1		E,ED,F,S	1A	209	33741-340-670	REFLECTOR, FR. REFLEX	2 2 2		G
1M	178	33650-377-671	WINKER ASSY., L. RR.	1 1 1		A,CM	2N	210	33743-375-000	BASE, FR. REFLECTOR	2 2		A,CM,DK,DM,E,ED,G,S,U
1M	179	33655-377-671	SOCKET COMP., L.	1 1 1		A,CM	2P	211	33905-303-003	RUBBER, JOINT	1		G
2N	180	33660-292-610	SOCKET ASSY., L. RR. WINKER	1 1		G	1Q	212	34901-369-621	BULB, HEADLIGHT (LOCL PROCUREMENT)	1 1		DK,DM,U
1N	181	33660-333-003	SOCKET, L. RR. WINKER	1 1		DK,DM,E,ED,F,S,U	2P	213	34901-377-003	BULB, HEADLIGHT (12V 50/40W) (STANLEY)	1		F
2N	182	33666-304-650	SUB CORD, L. RR. WINKER	1 1		G	1N	214	34901-388-611	BULB, HEADLIGHT (LOCL PROCUREMENT)	1 1		DK,DM,U
2N	183	33700-292-610	TAILLIGHT ASSY. (12V 18/5W)	1 1		G	1B	215	34902-259-000	BULB, DASH (12V 3.4W)	9 9 9		E,ED,G,S
2N	184	33701-051-000	LENS, STOP & TAILLIGHT	1 1		G							
1N	185	33701-333-620	TAILLIGHT ASSY.	1 1		E,F							
		33701-333-621	TAILLIGHT UNIT	1	1071519	E,F							
					1071520	E,F							





FRAME GROUP

Ref. No. 216 ~ 240

Ref. No. 241 ~ 270

FRAME GROUP

Block No.	Ref. No.	Part No.	Description	Reqd. No. CB400 F F1 F2	Serial No.	Area Code	Block No.	Ref. No.	Part No.	Description	Reqd. No. CB400 F F1 F2	Serial No.	Area Code
2P	216	34903-071-003	BULB, MARKER LIGHT (12V 3W) (STANLEY)	1		DK,DM,U	2H	241	35858-333-000	SUB CORD, MAGNETIC	1 1 1		
1Q	217	34903-377-621	BULB, POSITION (LOCL PROCUREMENT)	1	1	F	1B	242	37200-377-671	SPEEDOMETER ASSY. (MPH) 37200-377-771	1		1044029 A,DM 1044029 E
1N	218	34903-388-611	BULB, POSITION (LOCL PROCUREMENT)	1	1	E,ED,G,S			37200-377-771	SPEEDOMETER ASSY.	1	1	1044030 1074458 DM,E 1044030 1078879 E
1M	219	34905-268-671	BULB, WINKER (12V 23W)	2	2 2	A,CM DK,DM,U			37200-377-721	SPEEDOMETER ASSY. (NIPPON SEIKI)(MPH. KPH)	1		1074459 E
1N	220	34905-271-611	BULB, WINKER (12V 18W)	4	4	E,ED,F,S			37200-377-771	SPEEDOMETER ASSY.	1		1078880 E
1A	221	34906-313-671	BULB, TAIL & STOP LIGHT (12V 23/8W)	2	2 2	A,CM DK,DM,U	1B	243	37200-377-681	SPEEDOMETER ASSY. (KPH)	1	1	1044030 A
1M	222	34906-341-671	BULB, TAILLIGHT (12V 32/3CP)	1	1 1	A,CM	1B	244	37200-377-721	SPEEDOMETER ASSY. (NIPPON SEIKI)(MPH. KPH)	1		DK,ED,F,G,S,U
1M	223	34906-594-602	BULB, TAIL & STOP LIGHT (12V 21/5W)	1	1	E,ED,F,S	1B	245	37200-377-771	SPEEDOMETER ASSY.	1		A,CM
1N	224	35010-377-610	KEY SET	1		1064431 E,ED,F,G,S	1B	246	37211-377-000	BRACKET, METER	1	1 1	
		35010-377-611	KEY SET (HONDA LOCK)	1	1	1064432 E,ED,F,G,S	1B	247	37212-455-000	RING, R. METER SET	1	1 1	
1B	225	35010-377-670	KEY SET	1		1054889 DK,DM,U A	1B	248	37213-455-000	RING, L. METER SET	1	1 1	
		35010-377-000	KEY SET	1	1	2008286	1B	249	37242-323-701	CUSHION, METER	2	2 2	
		35010-377-007	KEY SET (HONDA LOCK)	1	1	1054890 2008287	1B	250	37243-453-000	COLLAR, METER SETTING	4		A,CM
				1		1064432 DK,U A,CM	1B	251	37243-457-000	COLLAR, METER SET	4	4	1066239 DK,DM,E,ED,F,G,S,U A,CM
1B	226	35100-377-003	SWITCH ASSY., COMBINATION (TOYO)	1		1064431 DK,DM,U A,CM			37243-453-000	COLLAR, METER SETTING	4	4	1066240 DK,E,ED,F,G,S,U E,ED,F,G,S
		35100-377-007	SWITCH ASSY., COMBINATION (HONDA LOCK)	1	1	1064432 DK,U A,CM	1B	252	37244-307-670	RUBBER, METER SETTING	4	4 4	
1B	227	35100-377-611	SWITCH ASSY., COMBINATION (TOYO)	1		1064431 E,ED,F,G,S	1B	253	37250-377-008	TACHOMETER ASSY.	1	1	1074458 DM,E A,CM,DK,U ED,F,G,S
		35100-377-612	SWITCH ASSY., COMBINATION (HONDA LOCK)	1	1	1064432 E,ED,F,G,S			37250-377-721	TACHOMETER ASSY. (NIPPON SEIKI)	1		1078879 E
1D	228	35130-377-670	SWITCH ASSY., STARTER KILL	1	1 1	A,CM	1B	254	37250-377-721	TACHOMETER ASSY. (NIPPON SEIKI)	1		E
1D	229	35150-377-013	SWITCH ASSY., STARTER KILL (TOYO)	1	1	DK,DK,E,ED,F,G;	1B	255	37260-333-000	CABLE ASSY., TACHOMETER	1	1 1	1078880 E
1D	230	35200-377-003	SWITCH ASSY., WINKER (TOYO)	1	1	DK,DM,E,ED,F,G,	1B	256	37600-377-018	PILOT ASSY., COMBINATION (NIPPON SEIKI)	1	1 1	A,CM
1D	231	35200-377-671	SWITCH ASSY., TURN SIGNAL	1	1 1	A,CM	1E	257	38100-369-004	HORN ASSY. (MITSUBA)	1	1	A,DK,DM,U E,G
2F	232	35350-292-003	SWITCH ASSY., STOP (TOYO)	1	1	A,CM,DK,DM,U E,ED,F,G,S	1Q	258	38100-369-621	HORN ASSY.	1	1	F
1C	233	35350-300-016	SWITCH, STOP (NAILS)	1	1 1	A,CM	1P	259	38100-377-731	HORN ASSY.	1	1	ED,S
2F	234	35350-385-701	SWITCH ASSY., STOP	1	1	A,CM	1E	260	38100-387-770	HORN ASSY.	1	1	A,CM
2F	235	35357-046-000	SPRING, STOP SWITCH	1	1	A,CM,DK,DM,U E,ED,F,G,S	1E	261	38103-377-000	SUB STAY, HORN	1	1	2009248 A,CM
2R	236	35357-377-720	SPRING, STOP SWITCH	1	1	A,CM	1N	262	38105-323-000	CORD, HORN EARTH	1	1	DK,DM,E,ED,F,G,S,U
1D	237	35360-341-000	SWITCH ASSY., CLUTCH LEVER	1	1 1		1E	263	38105-369-000	SUB CORD, HORN	1	1	2009248 A,CM
2H	238	35850-375-000	SWITCH ASSY., STARTER MAGNETIC	1	1 1		1H	264	38200-377-005	BOX ASSY., FUSE (DAICHI)	1	1 1	
2H	239	35856-286-010	RUBBER, MAGNETIC SHOCK	1	1 1		1H	265	38300-292-670	RELAY ASSY., WINKER (SIGNAL STAT)	1	1 1	A,CM
1H	240	35857-333-000	COVER, MAGNETIC SWITCH	1	1 1		1N	266	38300-300-610	RELAY ASSY., WINKER	1	1	E,ED,F,G,S
							2P	267	38300-369-004	RELAY ASSY., WINKER (ND)	1		DK,DM,U
							1H	268	38306-107-670	SUSPENSION, WINKER RELAY	1	1 1	A,CM
							1M	269	38306-292-000	SUSPENSION, WINKER RELAY	1	1	DK,DM,E,ED,F,G,S,U
							2F	270	38555-377-000	STAY, SPEED UNIT	1	1 1	

FRAME GROUP

Ref. No. 271 ~ 300

Ref. No. 301 ~ 325

FRAME GROUP

Block No.	Ref. No.	Part No.	Description	Reqd. No. CB400 F F1 F2	Serial No.	Area Code
2K	271	40510-377-000	CASE, DRIVE CHAIN	1 1 1		
2K	272	40514-377-000	PLUG, CHAIN CASE	1 1 1		
2M	273	40530-333-003	CHAIN, DRIVE (DID50DS-96L) (DAIDO)	1 1 1		
		40530-333-005	CHAIN, DRIVE (RK50S-96L) (TAKASAGO)	1 1 1		
2L	274	40531-333-003	JOINT, DRIVE CHAIN (DID50DS) (DAIDO)	1 1 1		
		40531-333-005	JOINT, DRIVE CHAIN (RK50S) (TAKASAGO)	1 1 1		
1K	275	40543-312-010	ADJUSTER, DRIVE CHAIN	2 2 2		
2J	276	40548-268-000	BUSH, RR. CUSHION UNDER RUBBER	2 2 2		
2M	277	41200-367-010	SPROCKET COMP., FINAL DRIVEN	1 1 1		
2M	278	41202-286-000	WASHER, 70MM	1 1 1		
2M	279	41231-286-000	RETAINER, RR. WHEEL BEARING	1 1 1		
2L	280	41241-286-000	BUSH, RR. WHEEL DAMPER	4 4 4		
1J	281	42301-286-010	AXLE, RR. WHEEL	1 1 1	1065685	DK,DM,E,ED,F,G,S,U A,CM
		42301-286-020	AXLE, RR. WHEEL	1 1 1		A,CM
1J	282	42301-286-020	AXLE, RR. WHEEL	1 1 1	1065686	DK,E,ED,F,G,S,U
2M	283	42311-286-000	COLLAR, RR. WHEEL SIDE	1 1 1		
1K	284	42313-369-000	COLLAR, RR. BRAKE PANEL SIDE	1 1 1		
2L	285	42601-333-000	HUB COMP., RR. WHEEL	1 1 1		
2L	286	42620-286-000	COLLAR A, RR. AXLE DISTANCE	1 1 1		
2L	287	42625-286-000	COLLAR B, RR. AXLE DISTANCE	1 1 1		
2L	288	42701-290-003	RIM, RR. WHEEL (18 DAIDO)	1 1 1		
2L	289	42711-377-003	TIRE, RR. WHEEL (3.50S-18) (BS)	1 1 1	1035218	A DK,DM,E,ED,F,G,S,U
		42711-377-671	TIRE, RR. WHEEL (3.50S18 BS)	1 1 1	1035219	A A,CM
2L	290	42711-377-671	TIRE, RR. WHEEL (3.50S18 BS)	1 1 1		
2A	291	42712-268-000	TUBE, RR. WHEEL (3.00-18)	1 1 1	1035218	
		42712-268-003	TUBE, TIRE (2.75/3.00-18 BS)	1 1 1	1035219	E,ED,F,G,S A,CM
2A	292	42712-268-003	TUBE, TIRE (2.75/3.00-18 BS)	1 1 1		
2L	293	42712-287-000	TUBE, RR. WHEEL (3.50-18) 42712-287-003	1 1 1	1034468	
		42712-287-003	TUBE, TIRE (18 BS)	1 1 1	1034469	E,ED,F,G,S A,CM
2L	294	42712-287-003	TUBE, TIRE (18 BS)	1 1 1		
2A	295	42713-268-000	FLAP, RR. TUBE (18 BS)	2 2 2	1034468	
		42713-268-003	FLAP, TIRE (18 BS)	2 2 2	1034469	E,ED,F,G,S
2A	296	42713-268-003	FLAP, TIRE (18 BS)	2 2 2		A,CM
1K	297	43100-369-010	PANEL COMP., RR. BRAKE	1 1 1		A,CM,DK,DM,U E,ED,F,G,S
1K	298	43100-388-000	PANEL COMP., RR. BRAKE	1 1 1		A,CM
1K	299	43120-369-670	SHOE COMP., RR. BRAKE	2 2 2		
1K	300	43141-369-000	CAM, RR. BRAKE	1 1 1		A,CM,DK,DM,U E,ED,F,G,S

Block No.	Ref. No.	Part No.	Description	Reqd. No. CB400 F F1 F2	Serial No.	Area Code
1K	301	43141-388-000	CAM, RR. BRAKE	1 1 1		A,CM
1K	302	43145-369-000	PLATE, BRAKE INDICATOR	1 1 1		A,CM,DK,DM,U E,ED,F,G,S
1K	303	43145-388-000	INDICATOR, RR. BRAKE	1 1 1		A,CM
1K	304	43411-369-000	ARM, RR. BRAKE	1 1 1		A,CM,DK,DM,U E,ED,F,G,S
1K	305	43411-388-000	ARM, RR. BRAKE	1 1 1		A,CM
2J	306	43431-333-000	ARM, RR. BRAKE STOPPER	1 1 1		
1K	307	43434-286-000	RUBBER, STOPPER ARM CUSHION	1 1 1		
2R	308	43451-369-000	ROD COMP., RR. BRAKE	1 1 1		A,CM
2F	309	43451-377-000	ROD COMP., RR. BRAKE	1 1 1		A,CM,DK,DM,U E,ED,F,G,S
2A	310	44301-312-000	AXLE, FR. WHEEL	1 1 1		
2B	311	44311-300-000	COLLAR, FR. WHEEL SIDE	1 1 1		
2A	312	44601-317-702	HUB, FR. WHEEL	1 1 1		
2A	313	44606-283-000	BALANCER (20G)	N N N		
		44607-283-000	BALANCER (15G)	N N N		
		44608-283-000	BALANCER (10G)	N N N		
		44609-283-000	BALANCER (5G)	N N N		
2A	314	44620-317-701	COLLAR, FR. AXLE DISTANCE	1 1 1		
2A	315	44641-333-000	RETAINER COMP., GEAR BOX	1 1 1		
2A	316	44642-317-701	COVER, GEAR BOX RETAINER	1 1 1		
2A	317	44643-300-000	RETAINER, FR. WHEEL BEARING	1 1 1		
2A	318	44701-317-701	RIM, FR. WHEEL (18)	1 1 1		
2A	319	44711-377-003	TIRE, FR. WHEEL (3.00S-18) (BS)	1 1 1	1034468	A DK,DM,E,ED,F,G,S,U
		44711-377-671	TIRE, FR. WHEEL (3.00S18 BS)	1 1 1	1034469	A A,CM
2A	320	44711-377-671	TIRE, FR. WHEEL (3.00S18 BS)	1 1 1		
2A	321	44800-317-700	BOX ASSY., SPEEDOMETER GEAR	1 1 1		
1B	322	44830-323-000	CABLE ASSY., SPEEDOMETER	1 1 1	1038492	DK,DM,E,ED,F,G,S,U A
		44830-390-000	CABLE ASSY., SPEEDOMETER	1 1 1	1038493	DK,EM,E,ED,F,G,S,U
		44830-323-791	CABLE ASSY., SPEEDOMETER	1 1 1	1084405	E,ED,F,G,S
1B	323	44830-390-000	CABLE ASSY., SPEEDOMETER	1 1 1	2104995	A CM CM
		44830-323-791	CABLE ASSY., SPEEDOMETER	1 1 1	2104996	CM
1B	324	44831-323-000	CABLE, SPEEDOMETER INNER	1 1 1	1084404	A,DK,DM,U CM,E,ED,F,G,S
		44831-310-000	CABLE, SPEEDOMETER INNER	1 1 1	2104995	E,ED,F,G,S CM
1B	325	44831-333-000	CABLE, SPEEDOMETER INNER	1 1 1	1084405	E,ED,F,G,S CM
		37261-286-000	CABLE, TACHOMETER INNER	1 1 1		A,CM,DK,DM,U E,ED,F,G,S

FRAME GROUP
Ref. No. 326 ~ 350
Ref. No. 351 ~ 385
FRAME GROUP

Block No.	Ref. No.	Part No.	Description	Reqd. No. CB400 F F1 F2	Serial No.	Area Code
2B	326	45100-323-053	CALIPER ASSY.	1 1 1		A,CM,DK,DM,U E,ED,F,G,S
		45100-390-003	CALIPER ASSY.	1	2100807	A,CM
2B	327	45101-323-013	CALIPER A (TOKIKO)	1 1 1		
2B	328	45102-323-003	CALIPER B (TOKIKO)	1 1 1		
2B	329	45104-317-700	JOINT, CALIPER HOLDER	1 1 1		
2B	330	45105-323-036	PAD COMP. A	1 1 1		A,CM,DK,DM,U E,ED,F,G,S
		45105-323-043	PAD COMP. A (TOKIKO)	1 1 1	2100806	A,CM
		45105-390-003	PAD COMP. A (TOKIKO)	1	2100807	A,CM
		45105-390-006	PAD COMP. A (ASAHI)	1	2100807	A,CM
2B	331	45106-323-006	PAD COMP. B	1 1 1		A,CM,DK,DM,U E,ED,F,G,S
		45106-323-013	PAD COMP. B (TOKIKO)	1 1 1	2100806	A,CM
		45106-390-003	PAD COMP. B (TOKIKO)	1	2100807	A,CM
		45106-390-006	PAD COMP. B (ASAHI)	1	2100807	A,CM
2B	332	45107-323-020	PISTON COMP.	1 1 1		
2B	333	45108-300-003	SEAL, PISTON	1 1 1		
2B	334	45115-323-010	HOLDER, CALIPER	1 1 1		A,CM,DK,DM,U E,ED,F,G,S
		45115-390-003	HOLDER, CALIPER	1	2100807	A,CM
2B	335	45116-323-020	PIN, CALIPER HOLDER	1 1 1		
2B	336	45117-300-020	BOLT, CALIPER ADJUSTING	1 1 1		
2B	337	45119-333-000	SPRING, CALIPER ADJUST	1 1 1		
2B	338	45120-369-000	DISK COMP., FR. BRAKE	1 1 1		
2C	339	45125-300-003	HOSE ASSY. A, FR. BRAKE (NICHIRIN)	1 1 1		A,CM
2C	340	45125-300-020	HOSE A, FR. BRAKE 45125-300-003	1	1005027	
		45125-300-003	HOSE ASSY. A, FR. BRAKE (NICHIRIN)	1	1005028	E,ED,F,G,S
1C	341	45126-377-000	HOSE B, FR. BRAKE	1	1006516	
1C	342	45126-377-003	HOSE B ASSY., FR. BRAKE	1 1 1	1006517	E,ED,F,G,S
1C	343	45126-390-003	HOSE ASSY. B, FR. BRAKE	1		A,CM
1C	344	45127-323-000	JOINT, THREE WAY	1 1 1		
2B	345	45128-317-701	PIPE, FR. BRAKE	1 1 1		
1K	346	45133-329-000	SPRING, FR. BRAKE SHOE	2 2 2		
1K	347	45134-250-000	DUST SEAL, BRAKE CAM	1 1 1		
2B	348	45140-333-000	COVER COMP., DISK	1 1 1		
2C	349	45146-300-000	GROMMET, BRAKE HOSE	1 1 1		
2B	350	45224-579-013	VALVE, BLEEDER	1 1 1		

Block No.	Ref. No.	Part No.	Description	Reqd. No. CB400 F F1 F2	Serial No.	Area Code
2B	351	45225-579-013	CAP, BLEEDER	1 1 1		
1A	352	45451-283-000	GROMMET, WIRE	1 1 1		
1D	353	45465-370-000	CLIP, FR. BRAKE CABLE	1 1 1		A,CM,E,ED,F,G,S,U DK,DM
		45465-341-700	CLIP, FR. BRAKE CABLE	1		DK,DM
1E	354	45466-329-000	INNER, CABLE GUIDE	1 1 1		
1E	355	45467-329-000	CLIP A, FR. BRAKE CABLE	1 1 1		
1C	356	45500-346-621	CYLINDER ASSY., MASTER	1		F,G,S
1C	357	45500-346-681	CYLINDER ASSY., MASTER	1 1 1	1063919	U DK,DM,E,ED
		45500-346-651	CYLINDER ASSY., MASTER	1	1063920	U
1C	358	45500-369-671	CYLINDER ASSY., MASTER	1 1 1		A,CM
1C	359	45513-341-671	CAP, OIL CUP	1 1 1	1063919	U DK,DM,E,ED,F,G,S
		45513-371-651	CAP, OIL CUP	1	1063920	U
1C	360	45513-341-771	CAP, OIL CUP	1 1 1		A,CM
1C	361	45517-300-003	HOLDER, MASTER CYLINDER	1 1 1		
1C	362	45520-300-000	DIAPHRAGM	1 1 1		
1C	363	45521-300-010	PLATE, DIAPHRAGM	1 1 1		
1C	364	45522-300-010	BOOT, MASTER CYLINDER	1 1 1		
1C	365	45526-341-000	BUSH, R. HANDLE LEVER	1 1 1		
1C	366	45527-300-000	PLATE, LEVER BUSH SETTING	1 1 1		
1C	367	45530-377-305	CYLINDER SET, MASTER	1 1 1		
1F	368	46500-377-000	PEDAL COMP., BRAKE	1 1 1		A,CM,DK,DM,U E,ED,F,G,S
1F	369	46500-377-720	PEDAL COMP., BRAKE	1		A,CM
1R	370	46510-377-720	SHAFT ASSY., RR. BRAKE PIVOT	1		A,CM
2F	371	46514-377-000	SPRING, BRAKE PEDAL	1 1 1		
2F	372	46515-377-000	SHAFT COMP., RR. BRAKE PIVOT	1 1 1		A,CM,DK,DM,U E,ED,F,G,S
2E	373	50100-377-000B	BODY COMP., FRAME	1 1 1		A,CM,DK,DM,U
2Q	374	50100-377-610B	BODY COMP., FRAME 50100-377-611B	1	1027742	E,ED,F,G,S
		50100-377-611B	BODY COMP., FRAME	1	1027743	1056882 E,ED,F,G,S
		50100-377-612B	BODY COMP., FRAME	1 1 1	1056883	E,ED,F,G,S
2E	375	50100-377-720ZA	BODY COMP., FRAME *NH-1*	1		A,CM
1D	376	50301-268-305	RACE, STEERING TOP BALL	1 1 1		
1D	377	50302-268-305	RACE, STEERING BOTTOM BALL	1 1 1		
2M	378	50316-377-000	GRIP, SIDE	1 1 1		
2F	379	50329-286-010	COLLAR, ENGINE SIDE	1 1 1		
2E	380	50351-377-000B	PLATE, FR. ENGINE HANGER	2 2 2		
2E	381	50356-377-000B	BRACKET, RR. ENGINE HANGER	1 1 1		
1E	382	50462-323-000	CLAMP, TACHOMETER CABLE	1 1 1		A,CM
2F	383	50500-377-000B	STAND COMP., MAIN	1 1 1		
2F	384	50523-333-000	HOOK, MAIN STAND SPRING	1 1 1		
2F	385	50526-286-000	PIPE, MAIN STAND PIVOT	1 1 1		

FRAME GROUP

Ref. No. 386 ~ 425

Ref. No. 426 ~ 450

FRAME GROUP

Block No.	Ref. No.	Part No.	Description	Reqd. No. CB400 F F1 F2	Serial No.	Area Code
1N	386	50530-323-000B	BAR, SIDE STAND	1 1		DK,DM,E,ED,F,S,U
2N	387	50540-377-61CZA	BAR ASSY., SIDE STAND *NH-1*	1 1		G
2F	388	50540-377-670B	BAR ASSY., SIDE STAND	1 1 1		A,CM
2F	389	50548-356-700	RUBBER, STAND	1 1 1		A,CM,G
2F	390	50549-356-70C	COLLAR, STAND RUBBER SETTING	1 1 1		A,CM,G
2E	391	50603-033-000	PIN, STEP BAR JOINT	2 2 2		
1R	392	50616-359-670B	ARM COMP., R. STEP		1	A,CM
2E	393	50616-377-000	ARM COMP., R. STEP	1 1		A,CM,DK,DM,U E,ED,F,G,S
1R	394	50617-283-000	SPRING, R. STEP RETURN		1	A,CM
2E	395	50618-377-000B	BAR COMP., R. STEP	1 1		A,CM,DK,DM,U E,ED,F,G,S
1R	396	50618-377-720ZA	BAR COMP., R. STEP *NH-1*		1	A,CM
2E	397	50619-375-000	STOPPER, STEP RUBBER	2 2 2		
2E	398	50620-310-000	PIPE, STEP INNER	2 2 2		
2E	399	50620-377-000	SPRING, R. STEP RETURN	1 1		A,CM,DK,DM,U E,ED,F,G,S
2E	400	50630-377-000B	STEP ASSY., R.	1 1		A,CM,DK,DM,U E,ED,F,G,S
1R	401	50630-377-720ZA	STEP ASSY., R. *NH-1*		1	A,CM
2E	402	50640-377-000B	STEP ASSY., L.	1 1		A,CM,DK,DM,U E,ED,F,G,S
1R	403	50640-377-720ZA	STEP ASSY., L. *NH-1*		1	A,CM
2E	404	50641-377-000B	BAR COMP., L. STEP	1 1		A,CM,DK,DM,U E,ED,F,G,S
1R	405	50641-377-720ZA	BAR COMP., L. STEP		1	A,CM
2E	406	50642-369-670B	ARM COMP., L. STEP	1 1 1		
2E	407	50644-283-000	SPRING, L. STEP RETURN	1 1 1		
2E	408	50661-369-000	RUBBER, STEP	2 2 2		
2K	409	50710-377-000	RUBBER, PILLION STEP	2 2 2		
2K	410	50712-377-000	WASHER, PILLION STEP	2 2 2		
2K	411	50715-377-000	BAR, PILLION STEP	2 2 2		
2C	412	51400-377-003	FORK ASSY., R. FR. (SHOWA)	1 1 1		
2D	413	51401-369-000	SPRING, FR. CUSHION	2 2 2		
2D	414	51411-369-000	PIPE COMP., FR. FORK	2 2 2		
2D	415	51412-369-000	SPRING, FR. CUSHION REBOUND	2 2 2		
2D	416	51421-369-000	CASE, R. FR. FORK BOTTOM	1 1 1		
2D	417	51425-369-000	DUST SEAL, FR. FORK	2 2 2		
2D	418	51432-369-000	PIECE, OIL LOCK	2 2 2		
2D	419	51437-369-000	RING, PISTON	2 2 2		
2D	420	51470-369-000	PIPE COMP., SEAT	2 2 2		
2D	421	51500-377-003	FORK ASSY., L. FR. (SHOWA)	1 1 1		
2D	422	51521-369-000	CASE, L. FR. FORK BOTTOM	1 1 1		
2J	423	52108-457-300	BUSH, RR. FORK PIVOT	2 2 2		
2J	424	52110-377-000B	FORK ASSY., RR.	1 1 1		1056882 E,ED,F,G,S A,CM,DK,DM,U
		52110-377-610B	FORK ASSY., RR.	1 1	1056883	E,ED,F,G,S
1K	425	52136-333-000	STOPPER, CHAIN ADJUSTER	2 2 2		

Block No.	Ref. No.	Part No.	Description	Reqd. No. CB400 F F1 F2	Serial No.	Area Code
2J	426	52141-369-000	COLLAR, RR. FORK CENTER	1 1 1		
2J	427	52144-362-000	CAP, RR. FORK DUST SEAL	2 2 2		
1J	428	52400-375-000	CUSHION ASSY., RR.	2		1015111 E,ED,F,S A,DK,DM,U
		52400-375-611	CUSHION ASSY., RR.	2 2	1015112	E,ED,F,S G
1J	429	52400-375-611	CUSHION ASSY., RR.	2 2		A,CM
1J	430	52401-323-000	SPRING, RR. CUSHION	2 2 2		
1J	431	52403-312-000	JOINT, UPPER	2 2 2		
1J	432	52410-323-670	DAMPER COMP., RR.	2		1015111 E,ED,F,S A,DK,DM,U
		52410-375-611	DAMPER ASSY., RR.	2 2	1015112	E,ED,F,S G
1J	433	52410-375-611	DAMPER ASSY., RR.	2 2		A,CM
1J	434	52422-329-000	ADJUSTER, RR. CUSHION SPRING	2		1015111 E,ED,F,S A,DK,DM,U
		52422-390-003	ADJUSTER, RR. CUSHION SPRING	2 2	1015112	E,ED,F,S G
1J	435	52422-390-003	ADJUSTER, RR. CUSHION SPRING	2 2		A,CM
1J	436	52424-331-000	STOPPER, SPRING SEAT	4 4 4		
1J	437	52458-329-000	SEAT, RR. CUSHION SPRING UNDER	2 2 2		
1J	438	52459-312-003	SEAT, RR. CUSHION SPRING	2 2 2		
1J	439	52482-312-000	NUT, LOCK, 10MM	2		1015111 E,ED,F,S A,DK,DM,U
		94002-10000-0S	NUT, HEX., 10MM	2 2	1015112	E,ED,F,S G
1J	440	52484-292-000	RUBBER, JOINT	2 2 2		A,CM
1J	441	52517-312-000	RUBBER, RR. CUSHION STOPPER	2		1015111 E,ED,F,S A,DK,DM,U
		52517-358-771	RUBBER, STOPPER	2 2	1015112	E,ED,F,S G
1J	442	52517-358-771	RUBBER, STOPPER	2 2		A,CM
1D	443	53100-377-000	PIPE, STEERING HANDLE	1 1		A,CM,DK,DM,U E,ED,F,G,S
1D	444	53100-377-710	PIPE, STEERING HANDLE	1		A,CM
2D	445	53124-250-000	DUST SEAL, STEERING HEAD	1 1 1		
1C	446	53141-300-010	PIPE, THROTTLE GRIP	1 1 1		
1C	447	53170-369-003	LEVER COMP., R. STEERING HANDLE (TOYO)	1		1070496 DK,DM,U
		53175-369-003	LEVER, R. STEERING HANDLE	1 1 1	1070496	A,CM E,ED,F,G,S
1D	448	53190-369-700	LEVER COMP., L. STEERING HANDLE	1	1070497 1070497	DK,U E,ED,F,G,S
		53178-369-700	LEVER, L. STEERING HANDLE	1 1 1	1070496	DK,DM,U
1D	449	53192-268-000	BOLT, CLUTCH WIRE ADJUSTING	1 1 1	1070497 1070497	A,CM E,ED,F,G,S
2C	450	53200-377-010B	STEM COMP., STEERING	1 1		1066198 DK,U A,CM 2103058
		53200-377-020B	STEM CO., STEERING	1	1066199 2103059	DK,U A,CM

FRAME GROUP

Ref. No. 451 ~ 480

Ref. No. 481 ~ 505

FRAME GROUP

Block No.	Ref. No.	Part No.	Description	Reqd. No. CB400 F F1 F2	Serial No.	Area Code	Block No.	Ref. No.	Part No.	Description	Reqd. No. CB400 F F1 F2	Serial No.	Area Code
2C	451	53200-377-610B	STEM COMP., STEERING	1	1066198 1078879	E,ED,F,G,S E,ED,F,G,S	1F	481	77230-377-003	LOCK ASSY., SEAT (TOYO)	1	1064431	DK,DM,E,ED,F,G,S,U A,CM
		53200-377-611B	STEM COMP., STEERING	1	1066199 1078880	E,ED,F,G,S E,ED,F,G,S			77230-388-007	LOCK ASSY., SEAT 77230-388-017	1	1064432	DK,E,ED,F,G,S,U 2102776
1C	452	53208-369-000	HOLDER, 3WAY JOINT	1	1	1			77230-388-017	LOCK ASSY., SEAT (HONDA LOCK)	1	1067389	DK,E,ED,F,G,S,U 2102777
1D	453	53211-268-305	RACE, STEERING TOP CONE	1	1	1	1H	482	77251-342-000	BAG, SERVICE BOOK	1		
2D	454	53212-250-305	RACE, STEERING BOTTOM CONE	1	1	1	1L	483	80100-333-000XM	FENDER COMP., RR.	1		E,F
2D	455	53215-250-000	WASHER, STEERING HEAD DUST SEAL	1	1	1	2N	484	80100-333-610XM	FENDER COMP., RR.	1		G
1D	456	53220-286-000	THREAD COMP., STEERING HEAD TOP	1	1	1	1P	485	80100-333-730XM	FENDER COMP., RR.	1		ED,S
1D	457	53231-377-000	BRIDGE, FORK TOP 53230-377-305	1	1023114		1L	486	80100-377-000	FENDER COMP., RR.	1		A,CM,DK,DM,U
		53231-377-010	BRIDGE, FORK TOP	1	1023115	1066198 DK,DM,E,ED,F,G,S,U 1078879 E,ED,F,G,S	1E	487	80101-283-000	RUBBER, RR. FENDER CUSHION	2	2009247	A,DK,DM,U E,G
		53231-377-020	BRIDGE, FORK TOP	1	1066199 1078880	DK,E,ED,F,G,U E,ED,F,G,S			80101-310-000	RUBBER, RR. FENDER CUSHION	2	2009248	A,CM
1D	458	53231-377-010	BRIDGE, FORK TOP	1	1	A,CM	2K	488	80105-333-000	FENDER B ASSY., RR.	1		
1N	459	61100-369-601	FENDER COMP., FR.	1	1055912	E	1A	489	80109-329-000	COLLAR C, MOUNTING	3		
		61100-377-000	FENDER COMP., FR.	1	1055913	E	1P	490	80121-317-731	MUDGUARD, RR. FENDER	1		ED,S
2B	460	61100-377-000	FENDER COMP., FR.	1	1	A,CM,DK,DM,U ED,F,G,S	1H	491	83501-333-020	TRAY, TOOL	1		
1R	461	61100-377-720	FENDER COMP., FR.	1		A,CM	1H	492	83502-333-000	LID, TOOL TRAY	1		
1N	462	61131-369-600	PLATE COMP., FR. NUMBER	1	1055912	E	1G	493	83600-377-000B	COVER, R. SIDE	1		
1N	463	61132-001-811	WASHER, NUMBER PLATE SETTING	2	1055912	E			83600-377-000ZA	COVER, R. SIDE *R-6C-S*	1		A,CM
1A	464	61301-369-003B	CASE, HEADLIGHT (STANLEY)	1	1	1			83600-377-000ZB	COVER, R. SIDE *Y-31*	1	1073399	E,ED,F,G,S A,DK,DM,U
1A	465	61302-292-000	COLLAR, HEADLIGHT CASE	2	2	2	1G	494	83600-377-000HX	COVER, R. SIDE	1	1073399	E,ED,F,G,S A,DK,DM,U
1A	466	61303-336-000	WASHER, HEADLIGHT CASE	2	2	2			83600-377-000MW	COVER, R. SIDE	1	1073400	E,ED,F,G,S
1A	467	61304-292-000	COLLAR, HEADLIGHT SETTING	2	2	2			83600-377-000ZA	COVER, R. SIDE *R-6C-S*	1	1073400	E,ED,F,G,S
1A	468	61305-333-010	GROMMET, HEADLIGHT CASE	1	1	1			83600-377-000ZB	COVER, R. SIDE *Y-31*	1	1073400	E,ED,F,G,S
1A	469	61306-333-003	GROMMET, HEADLIGHT CASE	1	1	1	1E	495	83601-357-000	COLLAR, COVER SET	2	2009247	A,DK,DM,U
2P	470	61313-377-010B	STAY COMP., HEADLIGHT	1		DK,DM,U	1G	496	83618-323-000	RUBBER, BATTERY BOX	4		
1N	471	61313-377-610B	STAY COMP., HEADLIGHT	1	1	E,ED,F,G,S	1G	497	83621-333-000	GROMMET, .SIDE COVER	4		
1A	472	61313-377-670B	STAY COMP., HEADLIGHT	1	1	1	2H	498	83700-377-000B	COVER, L. SIDE	1		
1F	473	77200-377-000	SEAT COMP., DOUBLE	1	1	1			83700-377-000ZA	COVER, L. SIDE *R-6C-S*	1		A,CM
1F	474	77201-074-000	RUBBER, SEAT CUSHION	4	4	4			83700-377-000ZB	COVER, L. SIDE *Y-31*	1		A,CM
1F	475	77201-369-000	HINGE, SEAT	1	1	1	2H	499	83700-377-000HX	COVER, L. SIDE	1	1073399	E,ED,F,G,S A,DK,DM,U
1F	476	77204-312-000	RUBBER, SEAT SETTING	1	1	1			83700-377-000MW	COVER, L. SIDE	1	1073399	E,ED,F,G,S A,DK,DM,U
1F	477	77210-377-000	LEATHER COMP., SEAT	1	1	1			83700-377-000ZA	COVER, L. SIDE *R-6C-S*	1	1073400	E,ED,F,G,S
1F	478	77220-340-011	BAR ASSY., SEAT LOCK	1	1	1			83700-377-000ZB	COVER, L. SIDE *Y-31*	1	1073400	E,ED,F,G,S
1F	479	77228-340-001	RUBBER, SEAT LOCK BAR CUSHION	2	2	2	1R	500	83703-383-670	PIN, FUEL TANK LID	1		A,CM
1F	480	77229-340-001	COLLAR, SEAT LOCK BAR	2	2	2	2N	501	84701-292-610B	BRACKET, NUMBER PLATE	1		G
							1N	502	84701-354-600B	BRACKET, NUMBER PLATE	1		E,ED,F,S
							2P	503	84701-377-000XM	BRACKET, NUMBER PLATE	1		DK,DM,U
							1L	504	84701-377-670XM	BRACKET, NUMBER PLATE	1		A,CM
							1L	505	84705-377-000	RUBBER, NUMBER BRACKET	3		A,CM,DK,DM,U

FRAME GROUP

Ref. No. 506 ~ 535

Ref. No. 536 ~ 575

FRAME GROUP

Block No.	Ref. No.	Part No.	Description	Reqd. No.			Serial No.	Area Code	Block No.	Ref. No.	Part No.	Description	Reqd. No.			Serial No.	Area Code
				CB400	F1	F2							CB400	F1	F2		
1E	506	84705-286-000	COLLAR, NUMBER BRACKET SETTING	6	6	6		A,DK,DM,U	2E	536	90106-333-000	BOLT, FR. ENGINE LOWER HANGER	2	2		1046562	DK,DM,E,ED,F,G,S,U
				6	8	8	2009248	E,ED,F,G,S			90101-377-000	BOLT, 10X74	2	2	1046563	2003225	DK,DM,E,ED,F,G,S,U
1L	507	84706-342-000	COLLAR, TAILLIGHT UNIT	2	2		1067005	DK,DM,U	2F	537	90107-333-000	BOLT, RR. ENGINE LOWER HANGER	1	1			
		84706-378-000	COLLAR, TAILLIGHT UNIT	2	2		1067006	A,CM	2F	538	90108-283-000	SCREW, SIDE STAND PIVOT	1	1			
1L	508	84707-342-000	COLLAR, NUMBER BRACKET SET	3	3			A,CM,DK,DM,U	2F	539	90108-333-000	BOLT, RR. ENGINE UPPER HANGER	1	1			
2P	509	84710-333-000	PLATE, NUMBER PLATE BACK	1				DK,U	1D	540	90111-362-000	BOLT, FLANGE, 8X36	4	4			
1N	510	84905-333-000	RUBBER, CUSHION	4	4			E,ED,F,G,S	1C	541	90114-300-000	BOLT, HANDLE LEVER PIVOT	1	1			
1N	511	84906-118-000	COLLAR, NUMBER BRACKET	4	4			DK,DM,U	1C	542	90114-310-000	BOLT, HANDLE LEVER PIVOT	1	1			
2P	512	87125-041-680	PLATE, NAME	1				E,ED,F,G,S	2D	543	90116-283-010	BOLT, SOCKET, 8MM	2	2			
1G	513	87128-377-000	EMBLEM, SIDE COVER	2	2		1073399	E,ED,F,G,S	1K	544	90119-283-000	BOLT, CHAIN ADJUSTING	2	2			
		87128-377-7202A	EMBLEM, SIDE COVER	2			1073400	A,CM,DK,DM,U	1A	545	90120-377-000	BOLT, HEADLIGHT STAY	2	2			A,CM,DK,DM,E,ED,G,S,U
		87128-377-7202B	EMBLEM, SIDE COVER	2			1073400	E,ED,F,G,S	2J	546	90121-369-000	BOLT, RR. FORK PIVOT	1	1			
1G	514	87128-377-7202A	EMBLEM, SIDE COVER *R-6C-S*	2				A,CM	2A	547	90122-317-702	BOLT, 8X90	4	4			
		87128-377-7202B	EMBLEM, SIDE COVER *Y-31*	2				A,CM	1L	548	90122-369-000	BOLT, FLANGE, 6X25	3	3	1067170	1067170	DK,U
1R	515	87132-388-670	MARK, FUEL TANK LID	1				A,CM					4	3	1073400	E,ED,F,G,S	
1N	516	87501-377-610	PLATE, REGISTERED NUMBER	1			1027742	E,ED,F,G,S	1K	549	90127-283-000	BOLT, RR. BRAKE PANEL STOPPER	1	1			
		87501-377-611	PLATE, REGISTERED NUMBER	1	1		1027743	E,ED,F,G,S	2L	550	90128-369-000	BOLT, SPROCKET FIXING	4	4			
2J	517	87504-028-670	MARK, MUFFLER CAUTION	1	1			A,CM	2J	551	90133-286-000	BOLT, RR. BRAKE STOPPER ARM	1	1			
2K	518	87505-377-610	MARK, TIRE CAUTION	1	1			DK,DM,E,ED,F,G,S	1C	552	90145-300-000	BOLT, OIL	3	3			
2K	519	87505-377-670	MARK, TIRE CAUTION	1				A	1D	553	90155-369-000	BOLT, FLANGE, 7X54	2	2			A,CM
2K	520	87505-377-720	MARK, TIRE CAUTION	1				A,CM	1B	554	90159-356-000	BOLT, METER SETTING	2	2			
2K	521	87505-377-770	MARK, TIRE CAUTION	1				A,CM	1H	555	90163-538-000	SCREW, TAPPING, 6X18	1	1			
1G	522	87506-377-670	MARK, BATTERY CAUTION	1	1		1056882	E,ED,F,G,S	2B	556	90165-323-000	BOLT, CALIPER SETTING	2	2			
		87506-377-610	MARK, BATTERY CAUTION	1	1		1056883	A,CM,DK,DM,U	1E	557	90167-333-000	BOLT, HEX., 6X130	2	2			
1L	523	87512-387-770	MARK, ACCESS. ROAD CAUTION	1	1			E,ED,F,G,S	1A	558	90192-377-671	SCREW, PAN, 4X25	8	8			A,CM
1E	524	87560-375-680A	MARK, DRIVE CAUTION	1	1			A,CM	2E	559	90201-700-000	NUT, GOVERNER ARM FIXING	1	1			A,CM,DK,DM,U
		87560-375-680B	MARK, DRIVE CAUTION	1	1			E,ED,F,G,S					1	1			E,ED,F,G,S
1D	525	88100-333-004	MIRROR, R. BACK	1	1		1069889	DK,DM	1B	560	90282-329-000	NUT, 6X15	2	2			
		88110-333-611	MIRROR, R. BACK	1	1		1069890	A,CM	1D	561	90304-323-670	NUT, STEERING STEM	1	1			
1D	526	88100-333-610	MIRROR, R. BACK	1	1		1067169	DK,DM	1B	562	90305-333-000	NUT, AXLE, 12MM	1	1			
		88110-333-611	MIRROR, R. BACK	1	1		1067170	E,ED,G	2M	563	90305-369-000	NUT, AXLE, 16MM	1	1	1065686		DK,E,ED,F,G,S,U
1D	527	88110-304-621	MIRROR, R. BACK	1	1			F	1K	564	90307-283-000	NUT, CHAIN ADJUSTING	2	2			A,CM
1D	528	88110-369-650	MIRROR, R. BACK	1				U	2E	565	90308-357-000	NUT, HEX., 10MM	5	5			
1D	529	88120-304-621	MIRROR, L. BACK	1	1			F	1J	566	90309-315-000	NUT, RR. CUSHION UPPER	2	2			
1D	530	88120-333-004	MIRROR, L. BACK	1	1		1069889	DK	2B	567	90309-357-000	NUT, HEX., 8MM	4	4			
		88120-333-611	MIRROR, L. BACK	1	1		1069890	A,CM	2H	568	90315-286-300	NUT, SPECIAL, 8MM	1	1			
1D	531	88120-333-610	MIRROR, L. BACK	1	1		1067169	DK	1D	569	90321-315-670	NUT, FIXING	1	1			
		88120-333-611	MIRROR, L. BACK	1	1		1067170	E,ED,G,S	1L	570	90324-300-000	COLLAR, 8MM	2	2			A,CM,DK,DM,E,ED,F,S,U
1D	532	88120-369-650	MIRROR, L. BACK	1				U	2E	571	90352-122-003	NUT, DRIVEN SPROCKET	1	1			
1G	533	89010-377-000	TOOL SET	1	1				2K	572	90354-268-000	NUT, SELF LOCK, 14MM	1	1			
1G	534	89216-333-000	WRENCH, BOX, 10X12	1	1				1C	573	90360-375-000	NUT, HEX., CAP, 7MM	2	2			A,CM
2E	535	90065-377-000	BOLT, TIE ROD	1	1			A,CM,DK,DM,U	1L	574	90428-844-650	WASHER, 8MM	1	1			A,CM,DK,DM,E,ED,F,S,U
				1	1			E,ED,F,G,S	2E	575	90474-703-000	WASHER, 12MM	1	1			A,CM,DK,DM,U

FRAME GROUP
Ref. No. 576 ~ 610
Ref. No. 611 ~ 650
FRAME GROUP

Block No.	Ref. No.	Part No.	Description	Reqd. No. CB400 F F1 F2	Serial No.	Area Code
1B	576	90500-455-000	WASHER, METER MOUNT, 19MM	4 4 4		
1D	577	90501-310-000	WASHER, 7X12	1 1 1		
1D	578	90503-283-000	WASHER, STEERING STEM	1 1 1		
1B	579	90506-500-000	WASHER, AIR DUCT	6 6 6		
1K	580	90512-300-000	WASHER, 6X20	2 2 2		
1F	581	90514-700-000	WASHER, TANK COLLAR LOCKING	2 2 2		
2F	582	90515-377-000	GUIDE, BREATHER PIPE	2 2 2		
2M	583	90523-286-000	WASHER, 16.5X30	1 1	1065685	DK,DM,E,ED,F,G A,CM
1K	584	90524-030-000	WASHER A, HANDLE HOLDER SETTING	2 2 2		
2H	585	90525-030-000	WASHER B, HANDLE HOLDER SETTING	5 6 5	1067169	DK,DM,U
				2 8 5	1067169	E,ED,F,G,S
				2 5 6	2009247	A
				2 8 5	1073399	E,ED,F,G,S DK,E,ED,F,G,S,U
				2 5 6	1067170	E,ED,F,G,S
				2 5 6	2009248	A,CM
				2 5 6	1073400	E,ED,F,G,S
2K	586	90526-216-000	WASHER, 14X26	1 1 1		
1J	587	90527-230-000	WASHER, PLAIN, 10.3MM	2 2 2		
2D	588	90543-273-000	PACKING, FR. FORK DRAIN COCK	2 2 2		
2C	589	90544-283-000	WASHER, SPECIAL, 8MM	2 2 2		
1C	590	90545-300-000	WASHER, OIL BOLT	7 7 7		
1K	591	90549-121-000	WASHER, PLAIN, 14MM	1 1 1		
1C	592	90555-283-000	WASHER, SPECIAL, 8MM	4	1023114	
1L	593	90581-342-000	WASHER, 20MM	2 2 2		A,CM,DK,DM,E,E
2D	594	90601-369-000	RING, OIL SEAL STOPPER	2 2 2		
2M	595	90665-286-000	GIR CLIP, EXTERNAL, 69MM	1 1 1		
1N	596	90841-001-000	SCREW, RIVET, 1.5X5	2 2		E,ED,F,G,S
2B	597	91252-300-003	DUST SEAL, 22X36X8	1 1 1		
2M	598	91253-286-013	DUST SEAL, 30X45X9.5	1 1 1		
2D	599	91255-369-000	OIL SEAL, 33X46X10.5	2 2 2		
2B	600	91259-333-000	O-RING, 9.5X1.7	2 2 2		
2A	601	91302-317-700	O-RING, 53.8X3.1	1 1 1		
	602	92000-05020-0A	BOLT, HEX., 5X20	2 2 2	1067005	DK,DM,U A,CM E,ED,F,G,S
		92000-05025-0A	BOLT, HEX., 5X25	2 2	1067006	DK,U A,CM
	603	92000-06008	BOLT, HEX., 6X8	2 2 2		
	604	92000-06012	BOLT, HEX., 6X12	1 1 1		
	605	92000-06016	BOLT, HEX., 6X16	9 9 7 9 9		A,CM,DK,DM,U E,ED,F,G,S
	606	92000-06020	BOLT, HEX., 6X20	7 7 7		
	607	92000-06022	BOLT, HEX., 6X22	1 1 1		A,CM,DK,DM,U E,ED,F,G,S
	608	92000-06025-02	BOLT, HEX., 6X25	3 4 3	1067169 1067169	DK,DM,U E,ED,F,G,S
				3 4	2100000	A
				3 4	1073398	E,ED,F,G,S
	609	92000-06025	BOLT, HEX., 6X25	3 3 3	2009247	A,DK,DM,U E,ED,F,G,S
				3 5	2009248	A,CM
	610	92000-06028-02	BOLT, HEX., 6X28	4 4		DK,DM,E,ED,F,G

Block No.	Ref. No.	Part No.	Description	Reqd. No. CB400 F F1 F2	Serial No.	Area Code
611	92000-06028	BOLT, HEX., 6X28		3 3 3		A,CM,G DK,DM,E,ED,F,S,U
612	92000-06035-02	BOLT, HEX., 6X35		4 4 4		A,CM
613	92000-06036	BOLT, HEX., 6X36		1 1 1		
614	92000-08016-0A	BOLT, HEX., 8X16		1 1 1		
615	92000-08020-0B	BOLT, HEX., 8X20		2 2		G
616	92000-08025-0A	BOLT, HEX., 8X25		3 3 4		A,CM,DK,DM,U E,ED,F,G,S
617	92000-08028-0A	BOLT, HEX., 8X28		1 1 1		
618	92000-08032-0A	BOLT, HEX., 8X32		2 2 2		
619	92000-08045-0A	BOLT, HEX., 8X45		2 2	1056883	E,ED,F,G,S
620	92000-08056-0B	BOLT, HEX., 8X56		2		1023114
	90155-369-000	BOLT, FLANGE, 7X54		2 2	1023115	E,ED,F,G,S
621	92000-08080-0A	BOLT, HEX., 8X80		2 2 2		
622	92000-10032-0B	BOLT, HEX., 10X32		2 2		F
623	92000-10080-0A	BOLT, HEX., 10X80		1 1 1		
624	92023-06025	BOLT, HEX., 6X25		1 1 1		
625	92200-06028	BOLT, HEX., 6X28		2 2 2		
626	92700-08045	BOLT, STUD, 8X45		1 1 1		
627	92700-08050-30	BOLT, STUD, 8X50		4 4 4		
628	93000-10032-0B	BOLT, HEX., 10X32		2 2 2		
629	93100-08040-0B	BOLT, HEX., 8X40		2 2 2		A,CM,DK,DM,E,ED,F,S,U
630	93500-03006-0A	SCREW, PAN, 3X6		8	1002753	A
	93500-03008-0H	SCREW, PAN, 3X8		8	1002754	A
631	93500-03008-0H	SCREW, PAN, 3X8		8 8		A,CM
632	93500-03010-0A	SCREW, PAN, 3X10		8 8		G
633	93500-03045-0B	SCREW, PAN, 3X45		2 2		G
634	93500-04006-0A	SCREW, PAN, 4X6		2		A,CM
635	93500-04012-0B	SCREW, PAN, 4X12		4	1055912	E
636	93500-04050-4J	SCREW, PAN, 4X50		2 2		E,ED,F,S
637	93500-04055-0B	SCREW, PAN, 4X55		4 4 4		A,CM,DK,DM,U
638	93500-05006-0G	SCREW, PAN, 5X6		1 1 1		
639	93500-05008-0A	SCREW, PAN, 5X8		4 4		DK,DM,E,ED,F,S,U
640	93500-05010-0G	SCREW, PAN, 5X10		2 2 2		
641	93500-05016-0A	SCREW, PAN, 5X16		1 1 1		
642	93500-05016-0B	SCREW, PAN, 5X16		2 2 2		
643	93500-05025-0A	SCREW, PAN, 5X25		7 7 7		
644	93500-05032-0A	SCREW, PAN, 5X32		1 1 1		
645	93500-06016	SCREW, PAN, 6X16		2 2 2		
646	93500-06020-49	SCREW, PAN, 6X20		3 3		ED,S
647	93600-06012-07	SCREW, FLAT, 6X12		2 2 2		
648	93700-03025-0B	SCREW, OVAL, 3X25		8 8		DK,DM,E,ED,F,S,U
649	93700-03048-0B	SCREW, OVAL, 3X48		8 8		G
650	93700-0016-0A	SCREW, OVAL, 5X16		1 1 1		

FRAME GROUP

Ref. No. 651 ~ 680

Ref. No. 681 ~ 715

FRAME GROUP

Block No.	Ref. No.	Part No.	Description	Reqd. No. CB400 F F1 F2	Serial No.	Area Code	Block No.	Ref. No.	Part No.	Description	Reqd. No. CB400 F F1 F2	Serial No.	Area Code
651	93902-24280		SCREW, TAPPING, 4X10	3 3 3			681	94201-20150		PIN, SPLIT, 2.0X15	2 2	1067169	DK,DM,E,ED,F,G,S
652	94001-06000		NUT, HEX., 6MM	22 22 23 23	2009248	A,DK,DM,U E,F ED,S G	682	94201-20180		PIN, SPLIT, 2.0X18	1 1	1067170 2100001 1073400	E,ED,F,G,S DK,E,ED,F,G,S E,ED,F,G,S A,CM
653	94001-08000-0S		NUT, HEX., 8MM	8 8 8		A,CM	683	94201-25250		PIN, SPLIT, 2.5X25	1 1 1		
654	94001-10000-0S		NUT, HEX., 10MM	1 1 1			684	94201-30450		PIN, SPLIT, 3.0X45	1 1 1		
655	94001-12200		NUT, HEX., 12MM	2 2 2			685	94201-40300		PIN, SPLIT, 4.0X30	1 1 1		
656	94002-06000		NUT, HEX., 6MM	1 1 1			686	94251-05000		PIN, LOCK, 5MM	2 2 2		A,CM,DK,DM,U
657	94002-10000-0S		NUT, HEX., 10MM	2 2 2		A,CM	687	94251-06000		PIN, LOCK, 6MM	2 2 2		
658	94011-16220-0S		NUT, CASTLE, 16MM	1 1 1	1065685	DK,DM,E,ED,F,G,S	688	94251-08000		PIN, LOCK, 8MM	1 1 1		
659	94021-06020		NUT, CAP, 6MM	4 4 4	1065684	A,CM E,ED,F,G,S	689	94305-20183		PIN, SPRING, 2X18	1 1 1		A,CM
660	94021-08020-0S		NUT, CAP, 8MM	2 2 2			690	94305-40163		PIN, SPRING, 4X16	2 2 2		A,CM,DK,DM,U E,ED,F,G,S
661	94021-08021-0S		NUT, HEX., CAP, 7MM	2 2 2	1023114		691	94511-12000		CIR CLIP, EXTERNAL, 12	1 1 1		A,CM,DK,DM,U E,ED,F,G,S
662	94030-08000		NUT, HEX., 8MM	4 4 4	1023115	E,ED,F,G,S	692	94605-27101		BOLT D1, FORK	2 2 2		
663	94030-10000		NUT, HEX., 10MM	3 3 3			693	94608-50000		O-RING, 23X2.8	2 2 2		
664	94101-04000		WASHER, PLAIN, 4MM	4 4 4	1055912	E A,CM,DK,DM,U	694	95002-02100		CLIP B10, TUBE	2 2 2		
665	94101-05700		WASHER, PLAIN, 5MM	1 1 1			695	95011-14100		GRIP D, R. HANDLE	1 1 1		
666	94101-06000		WASHER, PLAIN, 6MM	30 30 28 29 29 32 32 30 30		A,CM DK,DM,E,F,U ED,S G	696	95011-14200		GRIP D, L. HANDLE	1 1 1		
667	94101-08000		WASHER, PLAIN, 8MM	13 13 13 14 14 14		A,CM,DK,DM,E,ED,F G	697	95011-40000		RUBBER, CHANGE PEDAL	1 1 1		
668	94101-10000		WASHER, PLAIN, 10MM	2 2 2			698	95011-61000		RUBBER A, STAND STOPPER	1 1 1		
669	94102-08000		WASHER, PLAIN, 8MM	1 1 1			699	95012-17000		BAND F, BATTERY	1 1 1		
670	94102-10000		WASHER, PLAIN, 10MM	2 2 2			700	95014-22200		HOLDER B2, HANDLE PIPE UPPER	2 2 2		
671	94102-12000		WASHER, PLAIN, 12MM	2 2 2			701	95014-41000		HOLDER 1C, FR. FORK AXLE	2 2 2		
672	94111-04000		WASHER, SPRING, 4MM	4 4 4	1055912	E A,CM	702	95014-61100		BAND A1, WIRE	2 2 2		
673	94111-05000		WASHER, SPRING, 5MM	2 2 2			703	95014-62200		BAND B2, WIRE	1 1 1		
674	94111-06000		WASHER, SPRING, 6MM	8 8 8 9 9 9 10 10	2009248	A,DK,DM,U E,ED,F,S G	704	95014-71700		SPRING G, MAIN STAND	1 1 1		
675	94111-08000		WASHER, SPRING, 8MM	9 9 9 11 11	1056882	E,ED,F,G,S A,CM,DK,DM,U E,ED,F,G,S	705	95014-72101		SPRING A, SIDE STAND	2 2 2		G
676	94111-10000		WASHER, SPRING, 10MM	6 6 6		A,CM	706	95014-72401		SPRING D, SIDE STAND	1 1 1		A,CM,DK,DM,E,ED,F
677	94111-12000		WASHER, SPRING, 12MM	2 2 2			707	95014-73300		SPRING C, BRAKE ROD	1 1 1		
678	94201-16120		PIN, SPLIT, 1.6X12	1 1 1			708	95015-32000		JOINT B, BRAKE ARM 95015-32001	1 1 1		
679	94201-16150		PIN, SPLIT, 1.6X15	4 4 4				95015-32001		JOINT B, BRAKE ARM	1 1 1		
680	94201-16220		PIN, SPLIT, 1.6X22	1 1 1			709	95015-42000		NUT B, BRAKE ROD ADJUST	1 1 1		
							710	95015-52000		PIN B, BRAKE ROD JOINT	1 1 1		
							711	95015-72100		BRACKET B, PILLION STEP	2 2 2	1056883	E,ED,F,G,S
							712	95015-81000		PIN A, PILLION STEP	4 4 4 2 2 2	1056882	E,ED,F,G,S A,CM,DK,DM,U E,ED,F,G,S
							713	95015-82000		PIN B, PILLION STEP	2 2 2	1056883	E,ED,F,G,S
							714	95700-06014		BOLT, FLANGE, 6X14	2 2 2		
							715	95700-06018		BOLT, FLANGE, 6X18	4 4 4		

FRAME GROUP

Ref. No. 716 ~ 748



Block No.	Ref. No.	Part No.	Description	Reqd. No. CB400 F F1 F2	Serial No.	Area Code
716	95700-06025		BOLT, FLANGE, 6X25	2 2 2		
717	95700-06040		BOLT, FLANGE, 6X40	2 2 2		
718	95700-08016		BOLT, FLANGE, 8X16	2 2 2		
719	95700-08065		BOLT, FLANGE, 8X65	2 2 2		
720	95700-10020		BOLT, FLANGE, 10X20	2 2	1056883	E,ED,F,G,S
721	96140-63020-10		BEARING, RADIAL BALL, 6302U	2 2 2		
722	96140-63030-10		BEARING, RADIAL BALL, 6303U	1 1 1		
723	96140-63040-10		BEARING, RADIAL BALL, 6304U	1 1 1		
724	96201-80000		NIPPLE, GREASE, B.T6S	1 1 1		
725	96211-08000		BALL, STEEL, #8 (1/4)	37 37 37		
726	96211-10000		BALL, STEEL, #10 (5/16)	1 1 1		
727	97311-69233-10		SPOKE BS, 8X196.5 (IN SIDE)	18 18 18		
728	97339-52157-10		SPOKE B, 9X158.5 (IN SIDE)	18 18 18		
729	97715-52156-10		SPOKE B, 9X158 (OUT SIDE)	18 18 18		
730	97716-69232-10		SPOKE BS, 8X196 (OUT SIDE)	18 18 18		
731	98200-20700		FUSE B (7A)	3 3 3		
732	98200-21500		FUSE B (15A)	2 2 2		
733	98202-22250		BATTERY, 12N12A-4A-1	1 1 1	2103567	CM,DK,DH,U E,ED,F,G,S CM
	98203-22250		BATTERY, 12N12A-4A-1	1 1 1		A CM
734	99001-10120		SPANNER, 10X12	1 1 1		
735	99001-14170		SPANNER, 14X17	1 1 1		
736	99002-13500		PLIERS, 135	1 1 1		
737	99003-10000		DRIVER 2, PLUS SCREW	1 1 1		
738	99003-20000		DRIVER 3, PLUS SCREW	1 1 1		
739	99003-30000		DRIVER 2, MINUS SCREW	1 1 1		
740	99003-40000		LEVER	1 1 1		
741	99003-50000		GRIP	1 1 1		
742	99004-18002		WRENCH, BOX, P18	1 1 1		
743	99005-02000		BAR B, HANDLE	1 1 1		
744	99006-12000		HANDLE, EYE WRENCH, 120MM	1 1 1		
745	99006-19000		WRENCH, EYE, 19MM	1 1	1065686	DK,U
				1 1	1065686	E,ED,F,G,S A,CM
746	99006-22000		WRENCH, EYE, 22MM	1 1 1		
747	99007-45000		SPANNER, PIN	1 1 1		
748	99008-02000		BAG, TOOL, 200MM	1 1 1		