



**CB500**

**CB500K1**

**CB500K2**

Courtesy of  Honda4Fun  
[www.hondafour.com](http://www.hondafour.com) [www.honda4fun.com](http://www.honda4fun.com)



# PARTS LIST

FOR

# HONDA

**CB500  
CB500K1  
CB500K2**

## FOREWORD

This Parts List contains all the replacement parts for the CB500, CB500K1 and CB500K2 models and is to be used when ordering replacement parts.

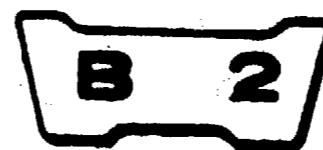
On placing your replacement parts order, please inform us the frame number for frame parts and the engine number for engine parts together with your order.

The reason for this is that it is necessary to verify that the parts being ordered are applicable to the model series intended.

No supplement to this Parts List will be issued. In case of any change to its content, no notification or supplement will be issued for this Parts List. However, a revised edition of this Parts List will be issued to maintain it up-to-date. The revised edition can be identified by the revision No. on the cover. To check on the latest Parts List revision, please contact your nearest distributor.

March 25, 1971

HONDA MOTOR CO., LTD.



## INSTRUCTION FOR USE OF PARTS LIST

### GROUP INDEX

INSTRUCTION  
FOR  
USE OF PARTS LIST

B 2 - B 4

### ENGINE GROUP

C 1 - D 7

### FRAME GROUP

C 1, D 8 - G 1

### PART NO. INDEX

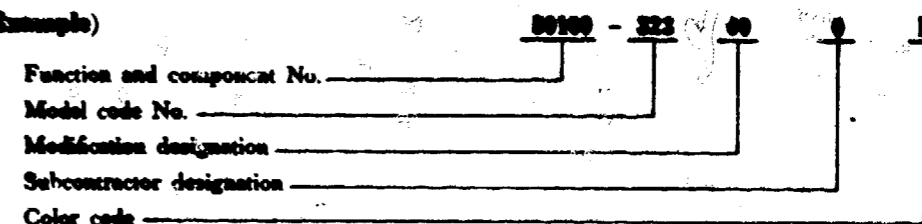
B 5 - B 10

### DESCRIPTION OF PARTS LIST

#### 1. Make-up of the part number

The following example is the definition of part number.

(Example)



#### 2. Abbreviations

The abbreviations used in this parts list are as follows.

ASSY. .... Assembly	KPH ..... Kilometers per hour
COMP. .... Complete	MPH ..... Miles per hour
R. .... Right	L (100L) ..... Link (100 Links)
L. .... Left	A.C. .... Alternating current
STD. .... Standard	D.C. .... Direct current
MM ..... Millimeter	IN. .... Inlet
G ..... Gram	EX. .... Exhaust
T (22T) ..... Tooth (22 Teeth)	FR. .... Front
A ..... Ampere	RR. .... Rear
V ..... Volt	HEX. .... Hexagonal
W ..... Watt	

#### 3. Dimensions

All dimensions are in millimeters except for the steel balls and wheels.

Parts	Example	Interpretation
Bolt (Screw)	6×12	6 mm diameter, 12 mm length
Pin	8×14	8 mm diameter, 14 mm length
O-ring	9.5×1.6	9.5 mm diameter, 1.6 mm thickness
Oil seal	14×24×5	14 mm inside diameter, 24 mm outside diameter, 5 mm thickness
Tube	5×130	5 mm inside diameter, 130 mm length

#### 4. Quantity used

In the column "Reqd. No." is shown the quantity of parts used in the respective group.

Parts with quantities in ( ) represent optional parts.

Part whose required number is "N", is part whose required number can be selected at need.

#### 5. The parts number described under the part description superseded the part number ahead.

**6. Models, area codes and applicable serial numbers**

Models, area codes and applicable serial Nos. given in this parts list can be identified as follows. Parts with area codes are exclusive for models destined for countries designated. If no area codes are listed, parts are for common use.

If there is a production change to a part, the frame or engine number to which this part becomes effective will be indicated in the "Serial No." column. However, in case the part is used from the initial serial number, its applicable serial number is not shown. The applicable serial numbers for models are as follows.

Model	Area code	Type	Applicable engine serial No.	Applicable frame serial No.
CB500	A	U.S.A.	CB500E-100001 ~ *	CB500-100001 ~ *
	D	General export	CB500E-100001 ~ *	CB500-1004121 ~ *
	E	England	CB500E-100001 ~ *	CB500-1010003 ~ *
	ED	European direct sales	CB500E-100001 ~ *	CB500-1000003 ~ *
	F	France	CB500E-100001 ~ *	CB500-1010713 ~ *
	G	Germany	CB500E-100001 ~ *	CB500-1011543 ~ *
	H	Netherlands	CB500E-100001 ~ *	CB500-1012096 ~ *
CB500K1	U	Australia	CB500E-100001 ~ *	CB500-1024126 ~ *
	A	U.S.A.	CB500E-200001 ~ *	CB500-200001 ~ *
	D	General export	CB500E-200001 ~ *	CB500-2011082 ~ *
	E	England	CB500E-200001 ~ *	CB500-2006008 ~ *
	ED	European direct sales	CB500E-200001 ~ *	CB500-2002376 ~ *
	F	France	CB500E-200001 ~ *	CB500-2004654 ~ *
CB500K2	G	Germany	CB500E-200001 ~ *	CB500-2004000 ~ *
	A	U.S.A.	CB500E-210001 ~ *	CB500-210001 ~ *

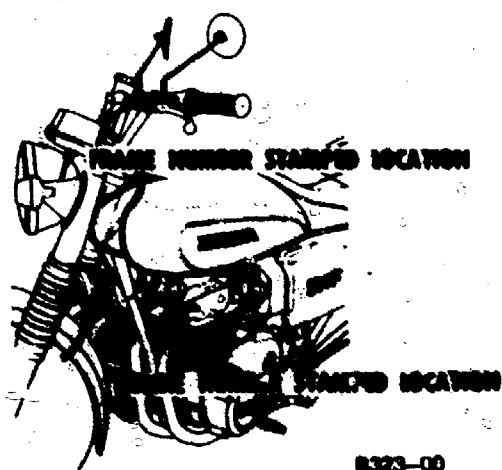
**8. Color code**

The following table indicates the color description of the color codes which are listed in the text.

Color code	Color description	Color code	Color description
A	White	LV	Flake sunrise orange
A	Black (leather)	LX	Candy gold custom
B	Black	LY	Candy lacquer olive custom
EE	Candy garnet brown	MZ	Candy gold custom · black
KB	Candy jade green	PZ	Candy lacquer olive custom · black
KC	Star light gold	QJ	Flake sunrise orange · black
KD	Candy jade green · black	QP	Maxim brown metallic custom · black
KE	Candy garnet brown · black	QQ	Maxim brown metallic custom
KF	Star light gold · black	XW	Chrome plated

9. This parts list is compiled as of November 1, 1977 and published as the final edition.

**7. Location of stamped serial number**



**B 4**



**CB500K2-A**

Courtesy of



Honda4Fun

[www.hondafour.com](http://www.hondafour.com)

[www.honda4fun.com](http://www.honda4fun.com)

Courtesy of



Honda4Fun

[www.hondafour.com](http://www.hondafour.com)

[www.honda4fun.com](http://www.honda4fun.com)

CROSS-REFERENCE TABLE



PART NO. INDEX



BLOCK NO.	ADDRESS NO.	BLOCK NO.	ADDRESS NO.	BLOCK NO.	ADDRESS NO.
E - 1	C 2	F - 1	D 8	F - 29	F 5
E - 2	C 3	F - 2	D 9	F - 30	F 6
E - 3	C 4	F - 3	D10	F - 31	F 7.F 8
E - 4	C 5	F - 4	D11	F - 32	F 9
E - 5	C 6	F - 5	D12	F - 33	F10
E - 6	C 7	F - 6	D13	F - 34	F11
E - 7	C 8	F - 7	D14	F - 35	F12
E - 8	C 9	F - 8	D15	F - 36	F13
E - 9	C10	F - 9	D16	F - 37	F14
E - 10	C11	F - 10	E 1	F - 38	F15
E - 11	C12	F - 11	E 2	F - 39	F16
E - 12	C13	F - 12	E 3	FOP - 1	G 1
E - 13	C14	F - 13	E 4		
E - 14	C15	F - 14	E 5		
E - 15	C16	F - 15	E 6		
E - 16	D 1	F - 16	E 7		
E - 17	D 2	F - 17	E 8		
E - 18	D 3	F - 18	E 9		
E - 19	D 4	F - 19	E10		
E - 20	D 5	F - 20	E11		
E - 21	D 6	F - 21	E12		
E - 22	D 7	F - 21-1	E13		
		F - 22	E14		
		F - 23	E15		
		F - 24	E16		
		F - 25	F 1		
		F - 26	F 2		
		F - 27	F 3		
		F - 28	F 4		

Part No.	Block	Part No.	Block	Part No.	Block
06000		13021-323-014	E-4	15140-300-010	E-13
06111-323-000	E-8	13031-323-003	E-4	15145-300-000	E-13
06625-323-910	FOP-1	13031-323-004	E-4	15150-300-000	E-13
		13031-323-013	E-4	15150-323-000	E-13
		13031-323-014	E-4	15158-323-000	E-13
11000		13041-323-003	E-4	15331-300-000	E-19
11000-323-000	E-19	13041-323-004	E-4	15331-323-003	E-13
11202-323-000	E-19	13041-323-013	E-4	15411-300-010	E-6
11203-323-000	E-19	13041-323-014	E-4	15412-300-024	E-6
11203-323-010	E-19	13051-323-003	E-4	15414-300-000	E-6
11207-323-000	E-19	13051-323-004	E-4	15415-300-000	E-6
11210-323-000	E-8	13051-323-013	E-4	15420-300-020	E-6
11331-323-000	F-8	13051-323-014	E-4	15473-300-300	E-6
11331-323-010	E-8	13101-323-000	E-4	15474-300-310	E-6
11341-323-000	E-11	13102-323-000	E-4	15477-300-300	E-6
11353-323-000	E-11	13103-323-000	E-4	15650-323-000	E-8
11353-363-000	E-11	13104-323-000	E-4	15707-634-000	E-1
11394-323-000	E-8	13105-323-000	E-4	15763-300-000	E-1
11394-323-010	E-8	13111-286-000	E-4	15772-292-010	E-1
11398-323-000	E-6	13203-323-000	E-14		F-13
11631-323-000	E-10	13204-323-000	E-14		
11632-323-003	E-10	13205-323-000	E-14	16000	
11633-323-000	E-10	13206-323-000	E-14		
11691-323-000	E-10	13207-323-000	E-14	16010-323-004	E-22
		13213-323-300	E-14	16011-323-004	E-22
12000		13213-333-003	E-14	16012-323-004	E-22
12021-323-300	E-2	13214-300-000	E-14	16013-323-004	E-22
12023-323-300	E-2	13215-323-003	E-14	16014-323-004	E-22
12023-324-300	E-2	13216-323-003	E-14	16015-323-004	E-22
12100-323-000	E-4	13217-323-003	E-14	16016-323-004	E-22
12191-323-000	E-4	13218-323-003	E-14	16018-323-004	E-22
12200-323-000	E-2	13300-323-000	E-14	16023-323-004	E-22
12200-323-010	E-2	13315-323-000	E-14	16028-323-004	E-22
12200-374-000	E-2	13316-323-000	E-14	16029-323-004	E-22
12209-323-005	E-3	13317-323-000	E-14	16030-323-004	E-22
12209-333-005	E-3	13318-323-000	E-14	16031-323-004	E-22
12238-323-000	E-4	13491-283-000	E-16	16035-323-004	E-22
12241-323-000	E-2	13492-283-000	E-16	16036-323-004	E-22
12242-323-000	E-2			16100-323-004	E-22
12251-323-000	E-2	14000		16100-323-610	E-22
12251-323-010	E-2			16111-323-004	E-22
12310-323-000	E-1	14101-323-000	E-2	16211-323-000	E-2
12320-323-900	E-1	14321-323-000	E-5	16290-323-000	E-22
12329-323-000	E-1	14401-323-003	E-5	16950-300-020	F-10
12330-323-000	E-1	14431-324-000	E-3	16952-268-000	F-10
12335-323-000	E-1	14451-323-010	E-3	16953-268-020	F-10
12336-323-000	E-1	14451-323-305	E-3	16955-268-020	F-10
12361-300-000	E-1	14500-323-000	E-5	16957-268-010	F-10
12391-323-000	E-1	14901-323-000	E-5	16958-268-010	F-10
12431-323-000	E-1	14920-323-000	E-5	16960-268-010	F-10
12451-323-000	E-1	14611-323-000	E-5	16961-268-010	F-10
		14711-107-020	E-3	16993-011-000	F-10
1300		14721-323-005	E-3	16997-273-006	F-10
		14751-107-010	E-3		
13011-323-002	E-4	14761-107-010	E-3	17000	
13011-323-004	E-4	14771-107-010	E-3		
13011-323-013	E-4	14775-107-000	E-3	17210-323-020	F-13
13021-323-014	E-4	14776-107-010	E-3	17210-323-030	F-13
13021-323-003	E-4	14781-107-020	E-3	17216-323-020	F-13
13021-323-004	E-4			17227-300-010	F-21
13021-323-013	E-4	15000		17247-300-000	F-13
13021-323-013	E-4			17250-323-000	F-13
13021-323-013	E-4	15100-323-003	E-13	17250-323-000	E-2





Part No.	Block	Part No.	Block	Part No.	Block	Part No.	Block	Part No.	Block
17310-323-0008	F-13	22000		24263-286-000	E-18	30250-300-005	E-7	33100-300-621	F-23
17313-323-030	F-13			24301-286-050	E-18	30250-300-154	E-7	33100-300-673	F-22
17313-323-040	F-13	22100-323-000	E-9	24421-230-000	E-18	30370-323-000	E-7	33100-323-003	F-25
17315-323-000	F-13	22120-323-000	E-9	24430-323-000	E-18	30372-300-300	E-7	33100-341-701	F-22
17317-323-010	F-13	22120-323-010	E-9	24430-323-020	E-18	30500-323-023	F-29	33101-300-043	F-25
17318-323-000	F-13	22201-323-000	E-9	24433-323-000	E-18	30501-323-003	F-29	33101-300-673	F-22
17319-323-000	F-13	22201-323-010	E-9	24433-323-010	E-18	30502-323-003	F-29		F-23
17331-323-000	F-13	22311-286-000	E-9	24434-286-020	E-18	30511-300-000	F-29		F-24
17335-323-000	F-13	22321-286-000	E-9	24435-323-000	E-18	30512-323-000	F-29	33103-300-003	F-22
17340-323-610	F-36	22321-323-000	E-9	24435-323-020	E-18	30700-300-010	F-37		F-23
17500-323-0008	F-10	22350-286-000	E-9	24437-323-000	E-18	30700-300-620	F-37		F-24
17500-323-000KD	F-10	22401-275-000	E-9	24438-323-000	E-18	30700-341-620	F-37		F-25
17500-323-000KE	F-10	22401-323-003	E-9	24439-323-000	E-18	30701-323-013	F-37	33107-300-003	F-22
17500-323-000KF	F-10	22421-040-000	E-18	24440-323-000	E-18	30701-323-620	F-37		F-23
17500-323-000MZ	F-10	22431-259-000	E-9	24445-286-020	E-18	30701-323-621	F-37		F-24
17500-323-700PZ	F-10	22501-323-000	E-9	24446-323-000	E-18	30701-323-622	F-37		F-25
17503-323-700QJ	F-10	22810-323-000	E-11	24447-323-000	E-18			33108-568-610	F-24
17500-323-700QP	F-10	22815-283-000	E-11	24448-323-000	E-18	31000		33117-001-023	F-25
17510-323-310	F-10	22815-323-000	E-11	24610-323-000	E-17	31101-323-005	E-10	33117-292-003	F-22
17513-300-300	F-10	22838-323-000	E-9	24641-216-000	E-17	31102-323-005	E-10		F-23
17514-323-300	F-10	22841-266-000	E-11	24651-286-000	E-17	31102-323-015	E-10	33117-292-003	F-24
17515-300-300	F-10	22844-323-000	E-11	24700-323-010	F-37	31102-323-025	E-10	33120-323-003	F-25
17517-300-340	F-10	22850-292-020	E-11			31102-323-305	E-10	33121-300-672	F-22
17534-323-300	F-10	22850-323-000	E-11	28000		31103-323-005	E-10		F-23
17540-323-000	F-10	22870-323-010	F-2	28101-323-000	E-12	31200-323-013	E-12		F-24
17541-323-000	F-10	22870-323-020	F-2	28106-323-000	E-12	31201-292-158	E-12	33125-087-761	F-25
17542-323-000	F-10	22870-323-620	F-2	28111-323-000	E-15	31204-292-158	E-12	33125-292-670	F-22
17543-323-000	F-10	22870-323-621	F-2	28112-323-000	E-15	31206-286-158	E-12		F-23
17544-323-000	F-10			28120-323-000	E-15	31280-323-000	E-12		F-24
17545-323-010	F-10	23000		28125-323-000	E-15	31282-323-300	E-12	33128-292-670	F-22
17548-323-000	F-10			28126-323-000	E-15	31400-300-035	F-30		F-23
17549-323-000	F-10	23100-323-000	E-15	28211-323-000	E-8	31403-323-000	F-30		F-24
17611-283-010	F-10	23102-323-000	E-15	28215-216-000	E-8	31500-310-671	F-30		F-25
17613-286-000	F-10	23103-323-000	E-9	28221-310-010	E-8	31700-323-005	F-30	33130-300-003	F-22
17910-300-040	F-1	23105-323-000	E-9	28223-216-000	E-8	31700-323-015	F-30	33130-300-611	F-24
17910-323-620	F-1	23106-323-000	E-15	28251-323-000	E-8			33130-300-621	F-23
17910-341-000	F-1	23111-323-010	E-15	28258-310-010	E-8	32000		33130-323-003	F-25
17920-323-000	F-1	23114-323-000	E-15	28261-323-000	E-8	32100-323-020	F-29	33153-300-622	F-23
17920-323-620	F-1	23121-323-010	E-15	28300-323-010	F-37	32100-323-040	F-29		F-24
		23131-323-003	E-15	28300-374-000	F-37	32105-323-010	F-30		F-25
18000		23210-323-000	E-16	28303-310-010	F-37	32105-323-030	F-30	33130-300-003	F-22
18231-323-000	F-14	23220-323-000	E-16	28305-310-000	F-37	32108-046-750	F-29	33130-300-611	F-24
18233-107-000	F-14	23420-323-000	E-16	28311-329-000	F-37	32108-323-300	F-29	33130-300-621	F-23
18291-216-000	F-14	23431-323-000	E-16	28333-310-000	F-37	32111-323-000	E-8	33130-323-003	F-25
18300-323-050	F-14	23441-286-020	E-16					33153-300-622	F-23
18300-323-060	F-14	23451-323-000	E-16	30000		32112-230-000	F-30		F-24
18340-323-040	F-14	23461-286-030	E-16	30200-323-005	E-7	32120-323-000	F-30	33153-300-671	F-22
18345-323-010	F-14	23471-286-010	E-16	30200-323-154	E-7	32171-323-000	F-25	33170-323-003	F-25
18350-323-050	F-14	23481-323-000	E-16	30201-300-015	E-7	32401-323-000	F-30	33175-323-600	F-24
18350-323-060	F-14	23491-286-030	E-16	30201-300-154	E-7	32411-253-000	E-12	33321-505-003	F-22
18362-720-000	F-27	23801-300-010	E-16	30203-300-005	E-7			33321-533-611	F-24
		23811-292-000	E-16	30204-300-005	E-7			33321-533-621	F-23
18400-323-060	F-14	23931-323-004	E-16	30204-300-154	E-7			33400-292-611	F-28
18400-323-070	F-14			30205-003-005	E-7			33400-292-670	F-26
18430-323-040	F-14	24000		30205-300-154	E-7				F-27
18435-323-010	F-14			30205-300-154	E-7				F-27
18450-323-060	F-14	24211-323-000	E-18	30215-300-005	E-7			33402-268-610	F-28
18450-323-070	F-14	24212-286-030	E-18	30220-323-005	E-7			33402-268-671	F-26
18473-323-000	F-14	24213-323-000	E-18	30220-323-005	E-7				F-27
18476-323-000	F-14	24281-283-000	E-18	30225-323-154	E-7			33402-292-003	F-26
				30233-300-030	E-7				F-27
								33402-317-730	F-27
								33400-323-700	F-26
								33401-268-671	F-27
								33401-292-003	F-26
									F-27
								33402-268-610	F-28
								33402-268-671	F-26
									F-27
								33402-292-003	F-26
									F-27
								33402-323-700	F-26
								33406-268-671	F-27
								33407-268-671	F-27
								33407-284-000	F-26
									F-27
								33408-284-000	F-26
									F-27
								33410-292-610	F-28
								33411-285-000	F-28
								33413-285-000	F-28
								33443-268-671	F-26
									F-27
								33450-292-611	F-28
								33450-292-670	F-26
									F-27
								33450-317-730	F-27
								33450-323-700	F-26
								33453-292-003	F-26
									F-27
								33453-323-700	F-26
								33460-292-610	F-28
								33600-300-000	F-26
									F-27
								33600-300-610	F-28
								33600-323-631	F-27
								33602-323-631	F-27
								33604-323-670	F-26
								33605-292-610	F-28
								33605-323-670	F-26
								33606-074-010	F-26
								33607-292-0008	F-27
								33607-323-670	F-26
								33608-286-000	F-27
								33608-300-000	F-27
								33610-300-000	F-26
									F-27
								33610-300-610	F-28
								33620-300-000	F-27
								33650-300-000	F-26
									F-27
								33650-300-610	F-28
								33650-323-631	F-27
								33660-300-000	F-26
									F-27
								33660-300-610	F-28

**PART NO. INDEX**



**PART NO. INDEX**

Part No.	Block	Part No.	Block	Part No.	Block	Part No.	Block	Part No.	Block	Part No.	Block
33708-341-671	F-32	35250-323-013	F-2	37576-323-000	F-3	43100-347-000	F-15	45107-323-020	F-6	50302-268-305	F-9
33709-051-000	F-34	35300-300-621	F-1	37577-323-000	F-3	43106-222-300	F-15	45108-300-003	F-6	50316-300-030	F-17
33709-077-671	F-31	35300-300-674	F-1	37577-341-000	F-3	43120-283-000	F-15	45115-323-010	F-6	50325-323-040	F-30
	F-33	35300-300-730	F-1	37579-323-000	F-3	43141-323-000	F-15	45116-323-010	F-6	50330-323-010	F-30
33709-341-671	F-32	35300-323-671	F-1	37579-341-010	F-3	43141-346-000	F-15	45116-323-020	F-6	50330-323-020	F-30
33710-300-610	F-34	35315-235-000	F-1	37581-323-000	F-3	43151-346-000	F-15	45117-300-020	F-6	50331-323-000	F-30
33711-300-000	F-31	35317-001-310	F-1			43431-312-000	F-18	45119-300-020	F-6	50332-323-000	F-30
	F-32		F-2	38000		43431-340-000	F-18	45120-323-020	F-6	50351-323-0108	F-36
	F-33	35317-235-000	F-2			43434-286-000	F-18	45125-300-003	F-5	50356-323-0108	F-36
33711-323-000	F-31	35317-310-810	F-2	38100-300-023	F-29	43451-323-010	F-15	45125-300-020	F-5	50357-323-010	F-36
	F-32	35318-259-000	F-1	38100-300-621	F-29			45126-300-003	F-5	50359-323-010	F-36
33712-300-003	F-31		F-2	38100-341-630	F-29	44000		45126-300-030	F-5	50375-323-020	F-29
	F-32	35345-319-000	F-5	38105-323-000	F-29			45126-323-620	F-5	50400-323-000	F-29
	F-33	35350-292-003	F-29	38205-323-000	F-36	44301-300-000	F-7	45126-323-621	F-5	50462-323-000	F-29
33713-300-000	F-31	35350-300-006	F-5	38300-292-670	F-30	44311-300-000	F-7	45127-323-000	F-5	50500-323-0008	F-35
	F-32	35350-300-016	F-5	38300-323-009	F-30	44601-300-040	F-7	45128-323-020	F-5	50523-300-010	F-35
	F-33	35357-011-000	F-29	38300-323-611	F-30	44606-283-000	F-7	45134-250-000	F-15	50526-300-000	F-35
33713-323-000	F-31	35500-300-000	E-13	38306-107-670	F-30			45140-323-670	F-6	50530-323-0008	F-35
	F-32	35500-333-014	E-13	38306-323-000	F-30	44606-300-003	F-7	45146-300-000	F-5	50603-033-000	F-35
33714-300-610	F-28	35752-323-000	E-10			44607-283-000	F-7	45224-579-013	F-6	50615-323-6708	F-35
33715-051-000	F-34	35753-323-000	E-10	40000				45225-579-013	F-6	50616-323-6708	F-35
33715-300-610	F-28	35850-306-670	F-30			44607-300-003	F-7	45451-283-000	F-9	50617-283-000	F-35
33716-051-000	F-34	35856-323-000	F-30	40510-323-0008	F-18	44608-283-000	F-7	45500-300-050	F-4	50641-323-6708	F-35
33717-292-610	F-34			40511-300-000	F-18			45500-300-623	F-4	50642-323-6708	F-35
33718-077-671	F-31	37000		40512-300-000	F-18	44609-283-000	F-7	45500-341-620	F-4	50644-283-000	F-35
	F-33			40530-323-305	F-18			45500-341-671	F-4	50661-310-000	F-35
33719-077-671	F-31	37211-323-000	F-20	40530-323-315	F-18	44620-300-020	F-7	43500-341-770	F-4		
	F-32	37211-323-671	F-21	40531-300-751	F-18	44641-300-020	F-7	45502-300-305	F-4	51000	
	F-33	37211-341-700	F-21-1	40531-341-305	F-18	44641-341-000	F-7	45504-300-003	F-4	51400-323-305	F-8
33722-323-610	F-34	37212-307-670	F-20	40548-268-000	F-18	44642-300-020	F-7	45505-300-003	F-4	51400-323-315	F-8
33741-286-670	F-8	37212-323-701	F-21			44643-300-000	F-7	45506-300-003	F-4	51401-323-010	F-8
33741-292-610	F-34	37212-333-000	F-21	41000		44701-300-013	F-7	45512-300-003	F-4	51410-323-010	F-8
33741-340-670	F-8	37213-323-701	F-21			44711-300-003	F-7	45513-300-020	F-4	51410-323-010	F-8
33743-286-670	F-8	37213-333-000	F-21	41201-323-010	F-16	44711-300-013	F-7	45513-341-671	F-4	51421-323-010	F-8
33743-341-670	F-8	37230-323-620	F-20	41211-323-000	F-16	44711-375-003	F-7	45513-341-770	F-4	51430-323-010	F-8
		37230-323-671	F-20	41231-323-020	F-16	44712-300-000	F-7	45517-300-003	F-4	51430-323-020	F-8
34000		37230-323-01	F-21	41242-323-000	F-16	44712-300-003	F-7	45520-300-000	F-4	51461-323-010	F-8
34901-259-611	F-24	37230-323-704	F-21-1	41243-323-000	F-16	44713-300-000	F-7	45521-300-010	F-4	51462-323-000	F-8
34902-259-000	F-3	37230-323-705	F-21-1			44713-300-003	F-7	45522-300-010	F-5	51500-323-305	F-8
	F-20	37230-346-621	F-20	42000		44800-323-000	F-7	45526-300-000	F-4	51500-323-315	F-8
	F-21	37230-346-671	F-20			44830-323-000	F-20	45526-341-000	F-4	51521-323-010	F-8
	F-21-1	37235-323-700	F-21-1	42301-300-010	F-15			45527-300-000	F-4	51601-323-000	F-8
34902-259-610	F-24	37236-323-700	F-21-1	42311-323-040	F-16	44830-390-000	F-20			51602-323-010XW	F-8
34903-071-003	F-25	37237-323-700	F-21-1	42313-323-010	F-15	44831-323-000	F-20	46000		51602-323-020XW	F-8
34905-268-671	F-26	37238-323-700	F-21-1	42601-283-000	F-16			46125-533-003	F-4	51602-323-671XW	F-8
	F-27	37240-323-008	F-20	42601-323-030	F-16			46140-533-003	F-4	51606-323-010XW	F-8
34905-271-611	F-27	37240-323-701	F-21	42604-283-000	F-16			46500-323-010	F-15	51606-323-020XW	F-8
34906-268-810	F-31	37240-323-773	F-21-1	42610-323-000	F-16	45000		46514-323-020	F-15	51606-323-671XW	F-8
34906-341-671	F-32	37240-323-774	F-21-1	42620-323-030	F-16			46515-323-010	F-15	51611-300-000	F-8
34906-554-602	F-31	37242-319-000	F-20	42625-283-000	F-16					51622-323-000	F-8
	F-33	37242-323-701	F-21	42701-283-003	F-16	45100-323-023	F-6	50000			
		37243-323-000	F-20	42711-323-003	F-16	45100-323-043	F-6			52000	
35000		37243-323-700	F-21-1	42711-323-004	F-16	45100-323-053	F-6			50100-323-1308	F-36
		37244-307-670	F-20	42711-323-013	F-16	45101-323-013	F-6			50100-323-1408	F-36
			F-21	42711-323-013	F-16	45102-323-003	F-6	50100-323-6108	F-36	50100-323-6118	F-36
35020-323-003	F-29		F-21-1	42711-377-003	F-16	45104-317-700	F-6	50100-323-6218	F-36	50100-323-6228	F-36
35020-323-611	F-29	37246-323-700	F-21-1	42712-287-000	F-16	45104-323-010	F-6	50100-323-6228	F-36	50100-323-6738	F-36
35020-323-612	F-29	37260-300-000	F-20	42712-287-003	F-16	45105-323-016	F-6	50100-323-6748	F-36	50223-323-010	F-12
35020-323-671	F-29		F-21	42713-288-000	F-16	45105-323-023	F-6			50301-268-305	F-9
35020-323-672	F-29		F-21-1	42713-288-000	F-16	45105-323-036	F-6				
35100-323-003	F-29	37261-300-000	F-20	42715-288-003	F-16	45105-323-043	F-6				
35150-300-730	F-2		F-21			45106-323-006	F-6				
35250-300-033	F-2		F-21-1	43000		45106-323-013	F-6				
				43100-319-600	F-15						

**PART NO. INDEX**



**PART NO. INDEX**

Part No.	Block	Part No.	Block	Part No.	Block	Part No.	Block	Part No.	Block
52403-312-000	F-17		F-24	80100-323-610XW	F-19	87122-323-000	F-10	90114-300-000	F-4
52410-323-000	F-17		F-25	80100-323-620XW	F-19	87124-323-000	F-13	90116-283-010	F-8
52410-323-670	F-17	61303-292-000	F-22	80100-323-630XW	F-19	87125-041-680	F-36	90119-300-000	F-15
52421-300-000X	F-17		F-23	80100-323-631XW	F-19	87311-516-000	F-10	90121-300-000	F-18
52422-292-000	F-17		F-24	80100-323-670XW	F-19	87501-323-610	F-36	90122-300-020	F-7
52422-329-000	F-17		F-25	90101-283-000	F-32	87501-323-620	F-36	90123-323-010	F-8
52424-331-003	F-17	61303-336-000	F-22	80102-323-000	F-19	87501-323-630	F-36	90125-323-000	F-16
52458-312-000	F-17		F-23	80103-323-000	F-19	87504-028-670	F-16	90127-323-000	F-18
52458-329-000	F-17		F-24	80105-061-000	F-30	87506-323-670	F-36	90133-286-000	F-18
52459-312-003	F-17		F-25	80108-061-000	F-26	87507-323-621	F-19	90145-300-000	F-5
52482-312-000	F-17	61304-292-000	F-22		F-30	87507-323-651	F-19	90154-268-670	F-26
52484-292-000	F-17		F-23	80121-300-731	F-19	87507-323-670	F-19		F-27
52517-312-000	F-17		F-24	80121-323-630	F-19	87507-323-771	F-19	90154-292-610	F-27
			F-25			87560-323-611A	F-10		F-28
<b>53000</b>		<b>62000</b>		<b>83000</b>		87560-323-611B	F-10	90154-455-670	F-26
53100-323-000	F-3			83501-323-020	F-36	87560-323-621A	F-10	90162-283-000	F-31
53100-323-620	F-3	62501-323-750	FDP-1	83502-323-000	F-36	87560-323-621B	F-10	90162-292-000	F-32
53124-250-000	F-9	62505-300-750	FDP-1	83551-300-000	F-12	87560-323-670A	F-10		F-33
53133-323-000	F-3				F-13	87560-323-670B	F-10		F-34
53133-323-010	F-3	<b>77000</b>			F-13			90162-292-670	F-31
53141-300-010	F-1			83600-323-020B	F-13	<b>88000</b>		90163-323-000	F-6
53163-300-020	F-1	77103-313-000	F-11	83600-323-020EE	F-13	88100-333-004	F-1	90206-250-000	E-3
53165-342-670	F-1		F-12	83600-323-020KB	F-13	88110-304-621	F-1	90236-300-000	E-2
53166-342-670	F-2		F-11	83600-323-020KC	F-13	88110-323-004	F-1	90304-323-670	F-9
53170-300-000	F-4	77200-323-030A	F-11	83600-323-020LV	F-13	88110-323-610	F-1	90305-300-000	F-7
53170-369-003	F-4	77200-323-050A	F-12	83600-323-020LX	F-13	88120-304-621	F-2	90306-268-000	F-15
53180-286-000	F-2	77201-323-000	F-11	83600-323-020LY	F-13	88120-323-610	F-2	90309-315-000	F-17
	F-4		F-12	83600-323-020OQ	F-13	88120-323-671	F-2	90315-504-000	F-13
53190-286-670	F-2	77201-323-010	F-12	83618-323-000	F-30	88120-323-671	F-2	90321-315-670	F-2
53190-300-000	F-1	77204-286-020	F-11	83700-323-020B	F-13	88120-333-004	F-2	90324-300-000	F-27
53196-369-700	F-2		F-12	83700-323-020EE	F-13				F-28
53191-300-000	F-1	77204-292-000	F-11	83700-323-020KB	F-13	<b>89000</b>		90325-323-630	F-19
53192-312-000	F-2		F-12	83700-323-020KC	F-13	89010-323-000	F-38	90354-268-000	F-18
53200-323-010B	F-9	77204-312-000	F-11	83700-323-020KV	F-13	89010-323-010	F-39	90401-551-000	E-10
53200-323-020B	F-9		F-12	83700-323-020LV	F-13	89101-300-010	F-38	90425-300-000	E-1
53200-323-610B	F-9	77211-323-300	F-11	83700-323-020LX	F-13			90428-844-650	F-27
53200-323-611B	F-9	77212-323-300	F-11	83700-323-020LY	F-13				F-28
53211-268-305	F-9		F-12	83700-323-020OQ	F-13	89202-283-000	F-38	90433-283-000	E-12
53212-250-305	F-9	77220-340-011	F-12			89203-283-000	F-38	90434-286-000	E-18
53215-250-000	F-9	77228-340-001	F-12	<b>84000</b>		89206-283-000	F-38	90442-035-000	E-5
53215-317-000	F-9	77229-340-001	F-12	84101-323-670	F-19	89216-323-000	F-38	90451-216-000	E-8
53220-286-000	F-9	77230-323-010	F-11	84101-323-671	F-19			90451-286-000	E-16
53230-323-010	F-3	77230-323-020	F-11	84701-300-020XW	F-31			90451-292-000	E-1
53235-300-000	F-3	77230-347-003	F-12	84701-300-672XW	F-31	<b>90000</b>		90452-323-000	E-2
53600-230-000	F-9	77230-347-003	F-29	84701-323-600B	F-33	90011-323-000	E-20	90453-286-003	E-8
	F-29	77231-317-670	F-11	84701-323-610B	F-34	90012-300-000	E-3	90454-200-000	E-8
53631-268-020	F-9	77232-300-000	F-11	84701-341-670XW	F-32	90014-323-000	E-10	90456-323-000	E-15
		77233-323-010	F-11	84702-300-010	F-31	90015-333-000	E-10	90457-500-000	E-8
<b>61000</b>		77234-323-030	F-11	84705-292-000	F-33	90015-286-000	E-17	90458-292-000	E-16
61100-323-030XW	F-9	77235-323-000	F-11			90033-323-000	E-19	90458-323-000	E-9
61100-323-600XW	F-9	77244-300-000	F-11	84705-300-620	F-31	90034-323-000	E-19	90458-323-010	E-9
61102-300-000	F-9	77250-323-000	F-11	84705-310-000	F-13	90043-323-300	E-2	90459-323-000	E-9
61111-323-000	F-9		F-29	84706-286-000	F-30	90044-323-300	E-2	90459-323-010	E-9
61112-323-000	F-9	77250-342-300	F-12			90081-246-000	E-5	90460-323-000	E-9
61131-283-600B	F-9	77251-342-000	F-12	84706-341-000	F-31	90084-323-000	E-21	90460-323-010	E-9
61301-300-010B	F-22	77260-323-300	F-12			90085-323-000	E-18	90461-286-000	E-16
	F-23	77270-323-003	F-11	84710-300-620	F-31	90104-323-000	F-15	90462-323-000	E-16
	F-24					90107-323-000	F-36	90481-250-000	E-5
	F-25	<b>80000</b>		<b>87000</b>		90108-283-000	F-35	90481-259-000	E-9
61302-300-000	F-22	80100-323-010XW	F-19	87121-323-000	F-10	90108-323-000	F-36	90485-001-000	E-1
	F-23	80100-323-600XW	F-19			90114-268-020	F-2	90485-035-000	F-21
								90501-310-000	F-2
								90503-283-000	F-9
								90512-300-000	F-13
								90513-323-000	F-19
								90514-323-000	F-35
								90514-700-000	F-12
								90518-921-000	F-3
								90521-292-000	F-17
								90522-300-010	F-6
								90523-292-000	F-15
								90524-030-000	F-18
								90524-323-000	F-16
								90526-268-000	F-18
								90532-323-000	E-11
								90543-273-000	F-8
								90544-283-000	F-8
								90545-292-000	F-20
									F-21
								90545-300-000	F-5
								90545-323-700	F-21-1
								90555-283-000	F-3
								90555-700-000	E-15
								90581-310-000	F-31
									F-32
								90581-701-000	F-13
									F-18
									F-30
									F-31
								90581-831-650	F-31
									F-33
								90582-703-000	F-30
								90601-579-000	F-13
								90602-259-010	E-15
									E-16
								90651-377-003	F-4
								90753-283-000	F-16
								90841-001-000	F-36
								90899-283-000	F-31
								90899-323-610	F-33
								<b>91000</b>	
								91001-116-008	E-15
								91002-283-003	E-16
								91002-286-008	E-16
								91005-323-004	E-15
								91007-323-000	E-15
								91022-286-016	E-16
								91103-259-000	E-15
								91201-292-003	E-18
								91201-300-003	E-14
								91201-323-005	E-14
								91202-216-000	E-17
								91203-292-003	E-16
								91203-292-009	E-16
								91204-286-003	E-8
								9120	



**PART NO. INDEX**



**PART NO. INDEX**

Part No.	Block	Part No.	Block	Part No.	Block	Part No.	Block	Part No.	Block	Part No.	Block
91262-323-000	F-16	92000-08015-0A	F-20	93500-05016-0G	F-25	94001-06000	F-20	94101-08200	F-34	94251-05000	F-22
91301-200-000	E-2		F-21	93500-05020-0A	F-14		F-21	94101-08700	F-21-1		F-23
91301-268-020	E-13	92000-08028-0A	F-15		E-1		F-26	94101-10000	F-9		F-24
91301-323-000	E-2	92000-08029	F-17		E-2		F-27		F-26		F-25
91302-001-020	E-1	92000-08040-0A	F-18	93500-05025-0A	F-29		F-29		F-27	94251-06000	F-11
	E-2		F-35		F-1		F-31		F-35		F-12
91302-250-010	E-13		F-36		F-2		F-21-1	94101-10200	F-19	94251-08000	F-18
91302-300-000	F-7	92000-08065-0A	F-30	93500-05032-0A	F-1	94001-06070	F-6		F-22	94301-08140	E-8
91304-028-000	E-6	92000-08080-0B	F-19	93500-06006-02	F-8	94001-08000-0S	F-14		F-28		E-10
91304-216-000	E-18	92000-08100-0A	F-36	93500-06012	E-10		F-18	94101-12000	F-36	94301-12180	E-4
91304-286-000	E-4	92000-10025-0B	F-22		E-22		F-20	94102-08000	F-11	94302-06100	E-11
91305-323-000	E-5	92000-10035-0A	F-9	93500-06016-49	F-19		F-21		F-30	94302-10160	E-2
91306-703-000	E-16		F-35	93500-06016	E-1		F-30	94102-10000	F-6		E-19
91309-035-000	E-1	92020-06020	E-9		E-10		F-35	94109-12000	E-6	94303-08140	E-15
	E-4		E-18	93500-06020-49	F-19		F-36	94111-03000	E-22	94510-12000	E-8
91309-300-000	E-12	92200-06025	F-6		E-1		FOP-1		F-9	94510-18000	E-8
91315-044-000	E-13	92200-08035-0A	F-6	93500-06020	E-10	94001-08020-0S	F-3	94111-04000	F-9	94510-20000	E-9
	E-19	92200-10050-0A	F-36		E-10	94001-08070	F-21-1	94111-05000	E-22	94510-25150	E-9
91316-300-003	E-6	92200-10080-0A	F-36	93500-06025	E-1	94001-10000-0S	F-26		F-1	94510-30000	E-15
91316-300-005	E-6	92700-08050-30	F-8	93500-06028	E-10		F-35		F-2	94521-48000	F-8
91318-300-013	E-2	92800-12000	E-6	93500-06032	E-8		F-4		F-9	94601-15000	E-4
91319-300-000	E-19				E-10	94002-08000-0S	F-30		F-22	94608-50000	F-8
91319-323-000	E-1	93000			E-11		F-15		F-23		
91354-702-000	E-8				F-10	94021-06000	F-21-1		F-24		
		93000-06025-02	F-4	93500-06035	E-13	94030-08000	F-8		F-25		
92000		93000-06028-02	F-26	93500-06040	E-1	94030-10000	F-16		F-29	95001-35330-40	E-22
			F-27	93500-06055	E-11		F-36	94111-06000	E-11	95001-55180-40	F-10
92000-04006-0A	E-13		F-28	93500-06065	E-10	94030-12000	F-36		E-22	95001-55300-40	F-10
92000-05020-0B	F-31	93000-08050-0A	F-36	93500-06080	E-8	94101-03000	F-9		F-9	95002-02070	E-22
	F-32	93000-08055-0A	F-36	93600-06010	F-11	94101-04000	E-13		F-5	95002-02100	F-10
	F-33		FOP-1	93600-06016-07	F-12		F-9		-6	95011-14100	F-1
92000-06010	F-8	93000-08056-0B	F-3	93600-06016	E-22	94101-05000	E-7		F-11	95011-14200	F-2
92000-06012-02	E-12	93000-08065-0A	FOP-1	93600-06018	E-15		F-34		F-12	95011-31000	F-35
92000-06012	E-12	93000-08074-0B	F-3	93600-06018	E-15	94101-06000	E-2		F-13	95011-40000	F-37
	E-16	93000-08080-0B	F-19	93600-06020	E-18		E-10		F-14	95011-52000	F-37
	F-11	93000-10032-0A	F-17	93700-03025-3B	F-26		E-11		F-19	95011-61000	F-14
	F-13	93100-08040-0B	F-3		F-27		E-11		F-6	95012-17000	F-30
	F-18		F-27	93700-03045-0B	F-28		F-9		F-31	95014-19000	F-15
	F-29	93200-08032-0A	F-37	93700-05015-0A	F-7		F-11	94111-06700	F-21-1	95014-41000	F-8
92000-06014	F-18	93500-03008-0A	F-9	93700-05020-02	F-9		F-12	94111-08000	F-6	95014-61000	F-29
92000-06016	E-11	93500-03010-0A	E-22	93700-06010-02	E-1		F-13		F-8	95014-61200	F-29
	E-15		F-28	93700-06025-02	F-26		F-18		F-14	95014-71700	F-35
	F-9	93500-03010-0B	F-22	93700-06032	E-7		F-19		F-20	95014-72401	F-35
	F-11		F-23	93901-25080	F-12		F-26		F-21	95014-73300	F-15
	F-12		F-24	93901-25310	E-19		F-27		F-30	95014-74320	F-15
	F-13	93500-03045-0B	F-34	93901-26110	E-19		F-28		F-36	95015-32000	F-15
	F-18		E-22	94000			F-29		FOP-1	95015-32001	F-15
92000-06018	F-12	93500-04010-0A	E-22				F-31	94111-08700	F-21-1	95015-42000	F-15
92000-06020	E-15	93500-04012-0A	E-22	94001-04000-0S	F-9		F-35	94111-10000	F-18	95015-52000	F-15
	F-9	93500-04012-0B	F-9	94001-05000-0S	E-22		E-12		F-26	95015-62000	F-35
	F-15	93500-04016-0A	F-2	94001-05000	F-34	94101-06200	E-12		F-27	95015-72100	F-35
	F-30	93500-04020-0A	F-13	94001-05000	F-9	94101-06700	F-21-1		F-6	95015-82000	F-35
	F-31	93500-04050-0B	F-33	94001-06000-0S	F-28	94101-08000	F-8		F-8	95015-91000	F-35
	F-37	93500-04050-4J	F-31	94001-06000	E-2		F-17		F-17	95015-91000	F-35
92000-06025	F-13	93500-04055-4J	F-32		E-5		F-18	94111-10200	F-28	95700-06022-00	E-5
	F-29	93500-05006-0A	E-2		F-2		F-21	94111-10800	F-22	95700-06032-00	E-1
92000-06028	F-5	93500-05008-0A	F-28		F-2		F-30	94201-16150	F-36		E-2
	F-19		F-27		F-6		F-31		F-15		E-6
92000-06040	E-1	93500-05012-0A	E-7		F-11		F-31		F-35		E-20
	F-13		E-22		F-12		F-35	94201-16220	F-6		E-21
	E-1	93500-05016-0A	E-22		F-14		F-36	94201-20180	F-18	95700-06040-00	E-21
92000-06045	E-1	93500-05016-0B	F-22		F-15		FOP-1	94201-25200	F-15	95700-06050-00	E-20
	E-11		F-23		F-18		F-19	94201-25250	F-35	95700-06055-00	E-7
92000-06050	E-1		F-24		F-19		F-32	94201-40300	F-15		E-12
							F-33				E-21

**PART NO. INDEX**

Part No.	Block	Part No.	Block	Part No.	Block
95700-06065-00	E-1				
95700-06065-00	E-2				
95700-06100-00	E-20				
95700-06105-00	E-21				
95700-08100-00	E-20				
95700-08125-00	E-20				
<b>96000</b>					
96100-62050	E-15				
96140-63020	F-7				
96140-63040-10	F-16				
96140-63050-10	F-16				
96201-30001	E-11				
	F-18				
96211-08000	F-9				
96211-10000	E-11				
	E-18				
	F-37				
<b>98000</b>					
98069-57711	E-2				
98069-57723	E-2				
98200-11500	F-30				
	F-36				
98202-22250	F-30				
<b>99000</b>					
99001-08120	F-38				
99001-10120	F-39				
99001-10140	F-38				
99001-14170	F-39				
99001-17190	F-38				
99002-13500	F-39				
99002-15000	F-38				
99003-10000	F-36				
	F-39				
99003-20000	F-38				
	F-39				
99003-30000	F-38				
	F-39				
99003-40000	F-38				
	F-39				
99003-50000	F-38				
	F-39				
99005-02000	F-39				
99006-12000	F-39				
99006-26000	F-39				
99007-45000	F-39				
99008-02000	F-39				
99124-076-0400	E-22				
99202-60107-80	E-22				
99202-60110-00	E-22				

# CONTENTS

## ENGINE GROUP

E- 1	Cylinder head cover .....	C 2
E- 2	Cylinder head • Camshaft .....	C 3
E- 3	Valve • Rocker arm .....	C 4
E- 4	Cylinder • Piston .....	C 5
E- 5	Cam chain • Tensioner .....	C 6
E- 6	Oil filter • Oil pan .....	C 7
E- 7	Contact breaker • Spark advancer .....	C 8
E- 8	Right crankcase cover • Kick spindle .....	C 9
E- 9	Clutch .....	C 10
E-10	Generator .....	C 11
E-11	Left crankcase cover .....	C 12
E-12	Starting motor .....	C 13
E-13	Oil pump .....	C 14
E-14	Crankshaft .....	C 15
E-15	Primary shaft .....	C 16
E-16	Transmission .....	D 1
E-17	Gearshift spindle .....	D 2
E-18	Gearshift fork • Drum .....	D 3
E-19	Crankcase .....	D 4
E-20	Upper case (Bolt).....	D 5
E-21	Lower case (Bolt, Washer) .....	D 6
E-22	Carburetor .....	D 7

## FRAME GROUP

F- 1	Right handle switch • Cable .....	D 8
F- 2	Left handle switch • Cable .....	D 9
F- 3	Steering handle • Top bridge .....	D 10
F- 4	Front brake master cylinder .....	D 11
F- 5	Front brake hose .....	D 12
F- 6	Front brake caliper • Disk .....	D 13
F- 7	Front wheel .....	D 14
F- 8	Front cushion .....	D 15
F- 9	Steering stem • Front fender .....	D 16
F-10	Fuel tank • Cock .....	E 1



F-11	Double seat (CB500) .....	E 2
F-12	Double seat (CB500K1, K2).....	E 3
F-13	Air cleaner • Side cover.....	E 4
F-14	Muffler .....	E 5
F-15	Rear brake panel • Brake pedal .....	E 6
F-16	Rear wheel • Driven sprocket .....	E 7
F-17	Rear cushion.....	E 8
F-18	Chain case • Rear fork .....	E 9
F-19	Rear fender .....	E 10
F-20	Speedometer • Tachometer (CB500, CB500K1-D•E•ED•F•G) .....	E 11
F-21	Speedometer • Tachometer (CB500K1-A).....	E 12
F-21-1	Speedometer • Tachometer (CB500K2) .....	E 13
F-22	Headlight (A) .....	E 14
F-23	Headlight (F) .....	E 15
F-24	Headlight (E•ED•G•H).....	E 16
F-25	Headlight (D•U) .....	F 1
F-26	Winker (A) .....	F 2
F-27	Winker (D•E•ED•F•H•U) .....	F 3
F-28	Winker (G) .....	F 4
F-29	Wire harness.....	F 5
F-30	Battery • Electric plate .....	F 6
F-31	Taillight .....	F 7, F 8
F-32	Taillight (CB500K1, K2-A) .....	F 9
F-33	Taillight (E) .....	F 10
F-34	Taillight (C) .....	F 11
F-35	Main stand • Step.....	F 12
F-36	Frame body .....	F 13
F-37	Kick arm • Change pedal .....	F 14
F-38	Tool (CB500- ~2034711).....	F 15
F-39	Tool (CB500-2034712~ ).....	F 16

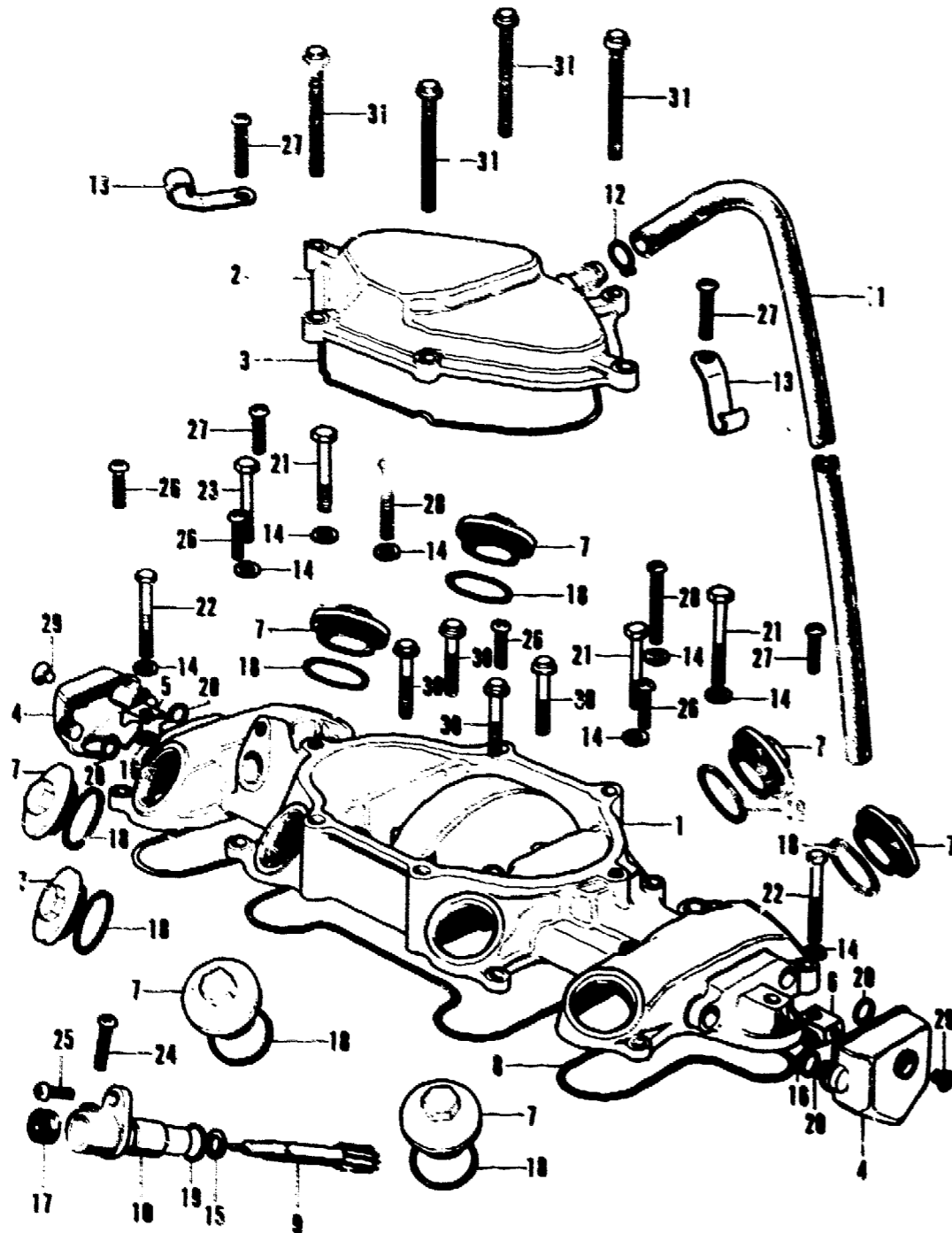
## OPTIONAL PARTS

FOP-1	Front bumper kit.....	G 1
	Parts No. index .....	B 4-B 9

**E-1 Cylinder head cover**

**E-1 Cylinder head cover**

Courtesy of Honda4Fun  
www.hondafour.com www.honda4fun.com



Ref. No.	Part No.	Description	Reqd. No.		Serial No.	Area code
			CB500	K1 K2		
1	12310-323-000	COVER, CYLINDER HEAD	1	1 1		
2	12320-323-000	COVER COMP., BREATHER	1	1 1		
3	12329-323-000	GASKET, BREATHER COVER	1	1 1		
4	12330-323-000	COVER, CYLINDER HEAD SIDE	2	2 2		
5	12335-323-000	PLATE A, CYLINDER HEAD SIDE COVER SETTING	1	1 1		
6	12336-323-000	PLATE B, CYLINDER HEAD SIDE COVER SETTING	1	1 1		
7	12361-300-000	CAP, TAPPET ADJUSTING HOLE	8	8 8		
8	12391-323-000	GASKET, CYLINDER HEAD COVER	1	1 1		
9	12431-323-000	GEAR, TACHOMETER	1	1 1		
10	12451-323-000	CAP, TACHOMETER	1	1 1		
11	15763-300-000	TUBE C, BREATHER	1	1 1		
12	15772-292-010	CLIP, BREATHER TUBE	1	1 1		
	15707-634-000	CLIP, OIL DRAIN	1	1 1	2140429	
13	32906-028-000	CLIP, HIGH TENSION CORD	2	2 2	2140430	
14	90425-300-000	WASHER, 11MM	8	8 8		
15	90451-292-000	WASHER, THRUST, 7MM	1	1 1		
16	90485-001-000	WASHER, 6.5MM	2	2 2		
17	91211-286-003	OIL SEAL, 4.8X14.5X4	1	1 1		
18	91302-001-020	O-RING, 30.8MM	8	8 8		
19	91309-035-000	O-RING, 11X2.5	1	1 1		
20	91319-323-000	O-RING, 6X3	4	4 4		
21	92000-06040	BOLT, HEX., 6X40	3	3 3		
22	92000-06045	BOLT, HEX., 6X45	2	2 2		
23	92000-06050	BOLT, HEX., 6X50	1	1 1		
24	93500-05020-0A	SCREW, PAN, 5X20	1	1 1		
25	93500-06016	SCREW, PAN, 6X16	1	1 1		
26	93500-06020	SCREW, PAN, 6X20	4	4 4		
27	93500-06025	SCREW, PAN, 6X25	4	4 4		
28	93500-06040	SCREW, PAN, 6X40	2	2 2		
29	93700-06010-02	SCREW, OVAL, 6X10	2	2 2		
30	95700-06032-00	BOLT, FLANGE, 6X32	4	4 4		
31	95700-06065-00	BOLT, FLANGE, 6X65	4	4 4		

8323-01A

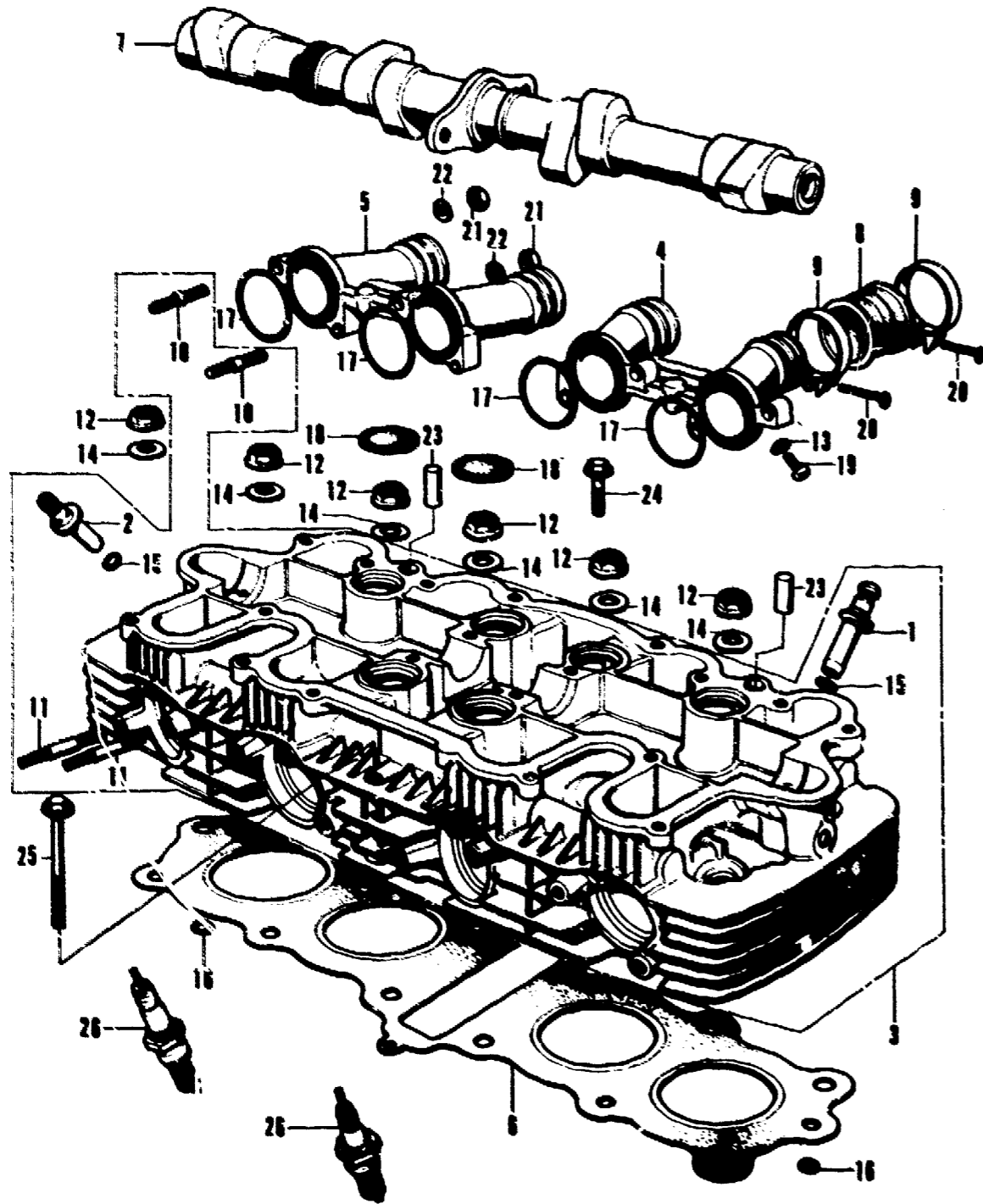
Courtesy of Honda4Fun  
www.hondafour.com www.honda4fun.com

E-2 Cylinder head - Camshaft



E-2 Cylinder head - Camshaft

Courtesy of  Honda4Fun  
www.hondafour.com www.honda4fun.com



Ref. No.	Part No.	Description	Regd. No.		Serial No.	Area code
			CB500	K1 K2		
1	12021-323-300	GUIDE, IN. VALVE	4	4 4		
2	12023-324-300	GUIDE, EX. VALVE	4	4 4	2112469	
	12023-323-300	GUIDE, EX. VALVE	4	4 4	2112470	
3	12200-323-000	HEAD COMP., CYLINDER 12200-323-010	1	1 1	2112469	
	12200-323-010	HEAD COMP., CYLINDER 12200-374-000	1	1 1	2112470	2139865
	12200-374-000	HEAD COMP., CYLINDER		1	2139866	
4	12241-323-000	MANIFOLD A, IN.	1	1 1		
5	12242-323-000	MANIFOLD B, IN.	1	1 1		
6	12251-323-000	GASKET, CYLINDER HEAD 12251-323-010	1			
	12251-323-010	GASKET, CYLINDER HEAD		1 1		
7	14101-323-000	CAMSHAFT	1	1 1		
8	16211-323-000	INSULATOR, CARBURETOR	4	4 4		
9	17256-323-000	BAND B, AIR CLEANER CONNECTING TUBE	8	8 8		
10	90043-323-300	BOLT, STUD, 6X32	8	8 8		
11	90044-323-300	BOLT, STUD, 6X40	8	8 8		
12	90236-300-000	NUT, FLANGE, 8M	12	12 12		
13	90452-323-000	WASHER, THRUST, 5MM	4	4 4		
14	90485-035-000	WASHER, 14MM	12	12 12		
15	91301-200-000	O-RING, 10X1.6	8	8 8		
16	91301-323-000	O-RING, 5X2.4	2	2 2		
17	91302-001-020	O-RING, 30.8MM	4	4 4		
18	91318-300-013	RUBBER, SEALING	6	6 6		
19	93500-05006-0A	SCREW, PAN, 5X6	4	4 4		
20	93500-05020-0A	SCREW, PAN, 5X20	8	8 8		
21	94001-06000	NUT, HEX., 6MM	8	8 8		
22	94101-06000	WASHER, PLAIN, 6MM	8	8 8		
23	94302-10160	PIN B, DOWEL, 10X16	2	2 2		
24	95700-06032-00	BOLT, FLANGE, 6X32	1	1 1		
25	95700-06065-00	BOLT, FLANGE, 6X65	1	1 1		
26	98069-57711	PLUG, SPARK (D-7ES NGK)	4	4 4		
	98069-57723	PLUG, SPARK (X22ES ND)	4	4 4		

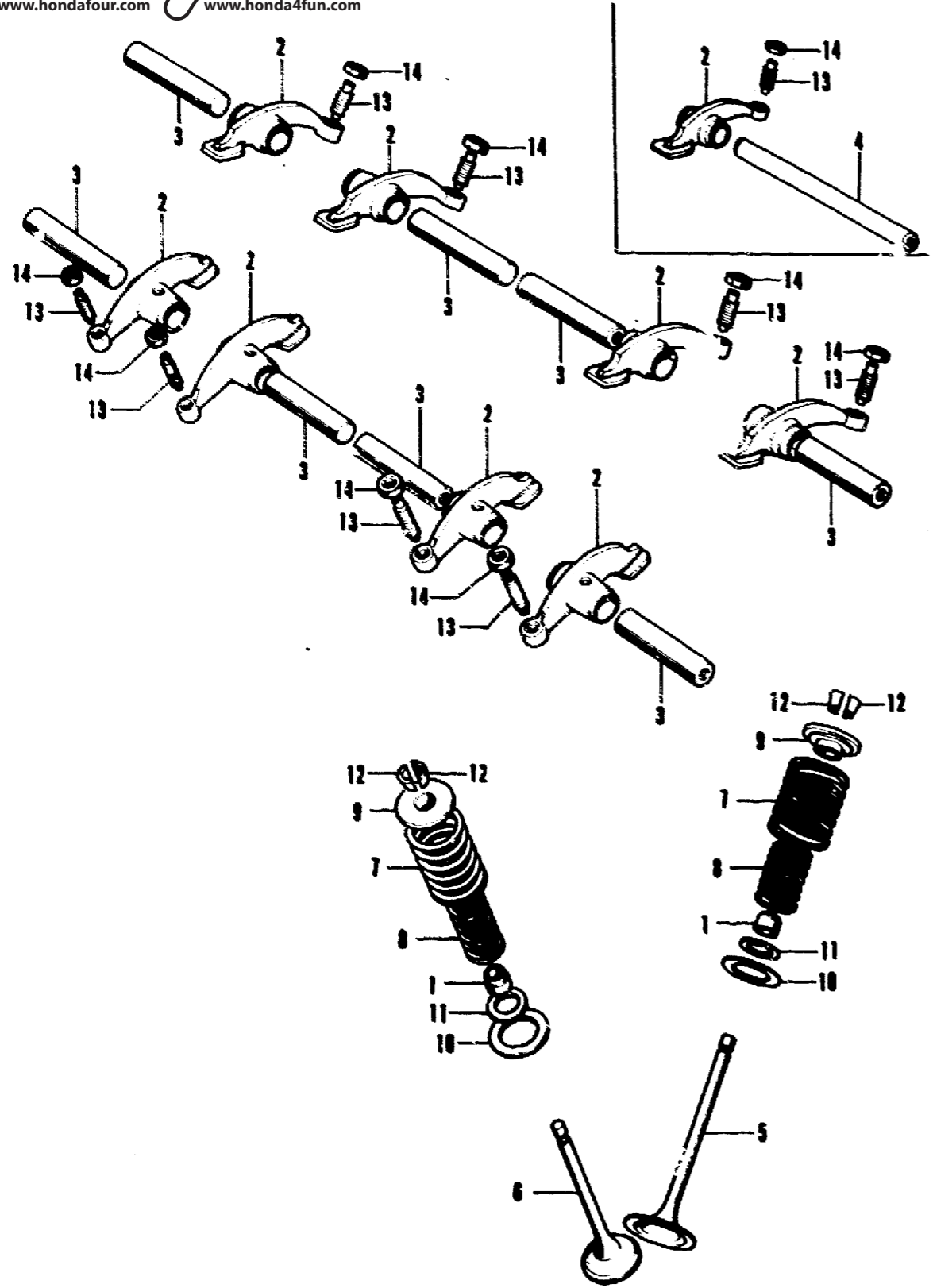
8323-02A

Courtesy of  Honda4Fun  
www.hondafour.com www.honda4fun.com

**E-3 Valve · Rocker arm**

**E-3 Valve · Rocker arm**

Courtesy of Honda4Fun  
[www.hondafour.com](http://www.hondafour.com) [www.honda4fun.com](http://www.honda4fun.com)



Ref. No.	Part No.	Description	Reqd. No.		Serial No.	Area code
			CB500	K1 K2		
1	12209-323-005	SEAL, VALVE STEM 12209-333-005	8	8 8	2112469	
	12209-333-005	SEAL, VALVE STEM	8	8 8	2112470	
2	14431-324-000	ARM, VALVE ROCKER	8	8 8		
3	14451-323-010	SHAFT, VALVE ROCKER ARM	8	8 8	2006338	
4	14451-323-305	SHAFT, VALVE ROCKER ARM	4	4	2006337	
5	14711-107-020	VALVE, IN.	4	4 4		
6	14721-323-005	VALVE, EX. (MITSUBISHI)	4	4 4		
7	14751-107-010	SPRING, VALVE (OUTER)	8	8 8		
8	14761-107-010	SPRING, VALVE (INNER)	8	8 8		
9	14771-107-020	RETAINER, VALVE SPRING	8	8 8		
10	14775-107-000	SEAT, VALVE SPRING OUTER	8	8 8		
11	14776-107-010	SEAT, VALVE SPRING INNER	8	8 8		
12	14781-107-020	COTTER, VALVE	16	16 16		
13	90012-300-000	SCREW, TAPPET ADJUSTING	8	8 8		
14	90206-250-000	NUT, TAPPET ADJUSTING	8	8 8		

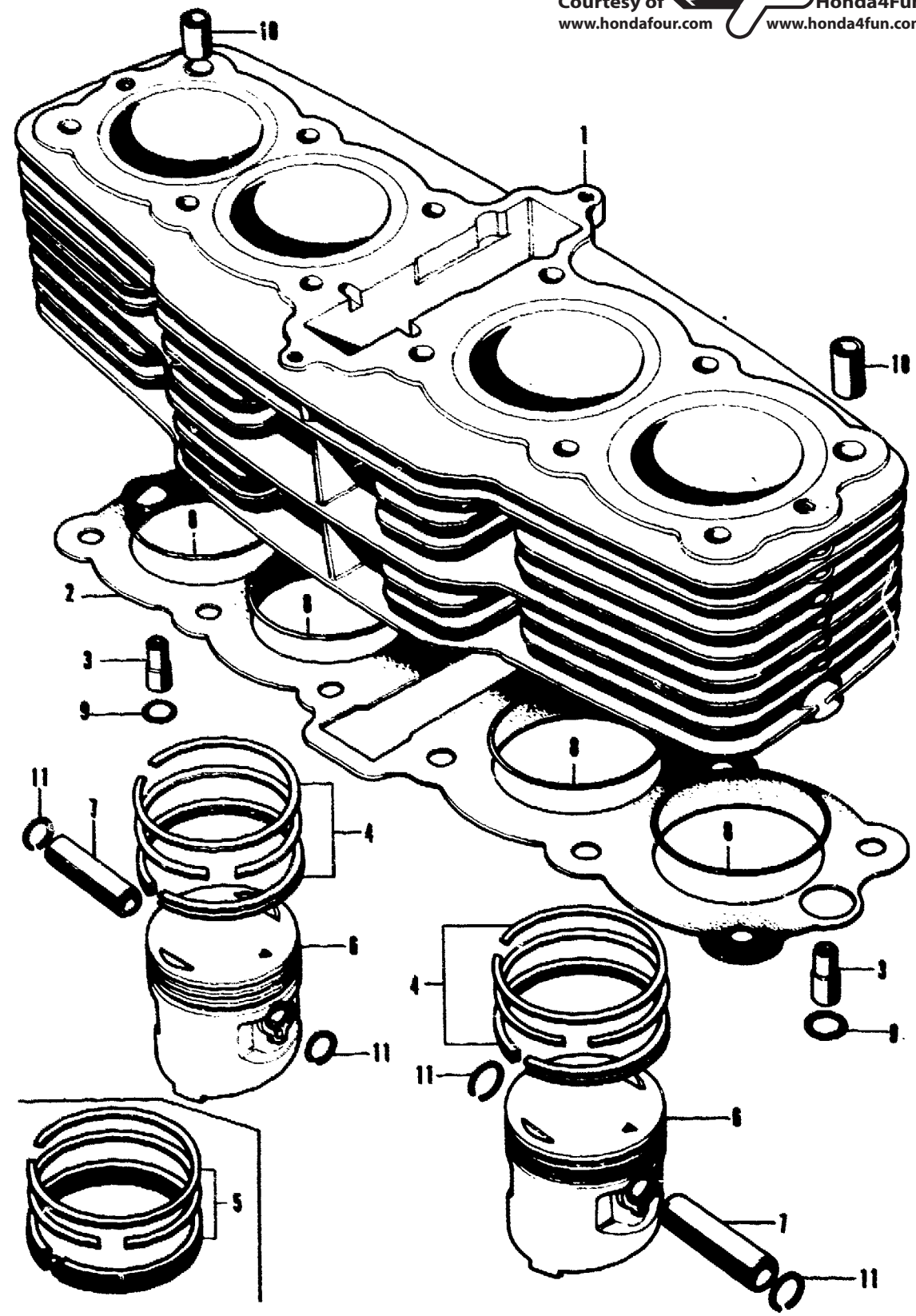
B323-23A.

Courtesy of Honda4Fun  
[www.hondafour.com](http://www.hondafour.com) [www.honda4fun.com](http://www.honda4fun.com)

**E-4 Cylinder - Piston**

**E-4 Cylinder - Piston**

Courtesy of  Honda4Fun  
[www.hondafour.com](http://www.hondafour.com) [www.honda4fun.com](http://www.honda4fun.com)



Ref. No.	Part No.	Description	Reqd. No.		Serial No.	Area code
			CB500	K1 K2		
1	12100-323-000	CYLINDER COMP.	1	1	1	
2	12191-323-000	GASKET, CYLINDER	1	1	1	
3	12238-323-000	VALVE, OIL CONTROL	2	2	2	
4	13011-323-003	RING SET, PISTON (STD. NIPPON)	4	4		
	13011-323-004	RING SET, PISTON (STD. RIKEN)	4	4		
	13021-323-003	RING SET, PISTON (0.25 NIPPON)	(4)	(4)		
	13021-323-004	RING SET, PISTON (0.25 RIKEN)	(4)	(4)		
	13031-323-003	RING SET, PISTON (0.50 NIPPON)	(4)	(4)		
	13031-323-004	RING SET, PISTON (0.50 RIKEN)	(4)	(4)		
	13041-323-003	RING SET, PISTON (0.75 NIPPON)	(4)	(4)		
	13041-323-004	RING SET, PISTON (0.75 RIKEN)	(4)	(4)		
	13051-323-003	RING SET, PISTON (1.00 NIPPON)	(4)	(4)		
	13051-323-004	RING SET, PISTON (1.00 RIKEN)	(4)	(4)		
5	13011-323-013	RING SET, PISTON (STD. NIPPON)	4	4	4	
	13011-323-014	RING SET, PISTON (STD. RIKEN)	4	4	4	
	13021-323-013	RING SET, PISTON (0.25 NIPPON)	(4)	(4)	(4)	
	13021-323-014	RING SET, PISTON (0.25 RIKEN)	(4)	(4)	(4)	
	13031-323-013	RING SET, PISTON (0.50 NIPPON)	(4)	(4)	(4)	
	13031-323-014	RING SET, PISTON (0.50 RIKEN)	(4)	(4)	(4)	
	13041-323-013	RING SET, PISTON (0.75 NIPPON)	(4)	(4)	(4)	
	13041-323-014	RING SET, PISTON (0.75 RIKEN)	(4)	(4)	(4)	
	13051-323-013	RING SET, PISTON (1.00 NIPPON)	(4)	(4)	(4)	
	13051-323-014	RING SET, PISTON (1.00 RIKEN)	(4)	(4)	(4)	
6	13101-323-000	PISTON (STD.)	4	4	4	
	13102-323-000	PISTON (0.25)	(4)	(4)	(4)	
	13103-323-000	PISTON (0.50)	(4)	(4)	(4)	
	13104-323-000	PISTON (0.75)	(4)	(4)	(4)	
	13105-323-000	PISTON (1.00)	(4)	(4)	(4)	
7	13111-286-000	PIN, PISTON	4	4	4	
8	91304-286-000	O-RING, 61.8X2.0	4	4	4	
9	91309-035-000	O-RING, 11X2.5	2	2	2	
10	94301-12180	PIN A, DOWEL, 12X18	2	2	2	
11	94601-15000	CLIP, PISTON PIN; 15MM	8	8	8	

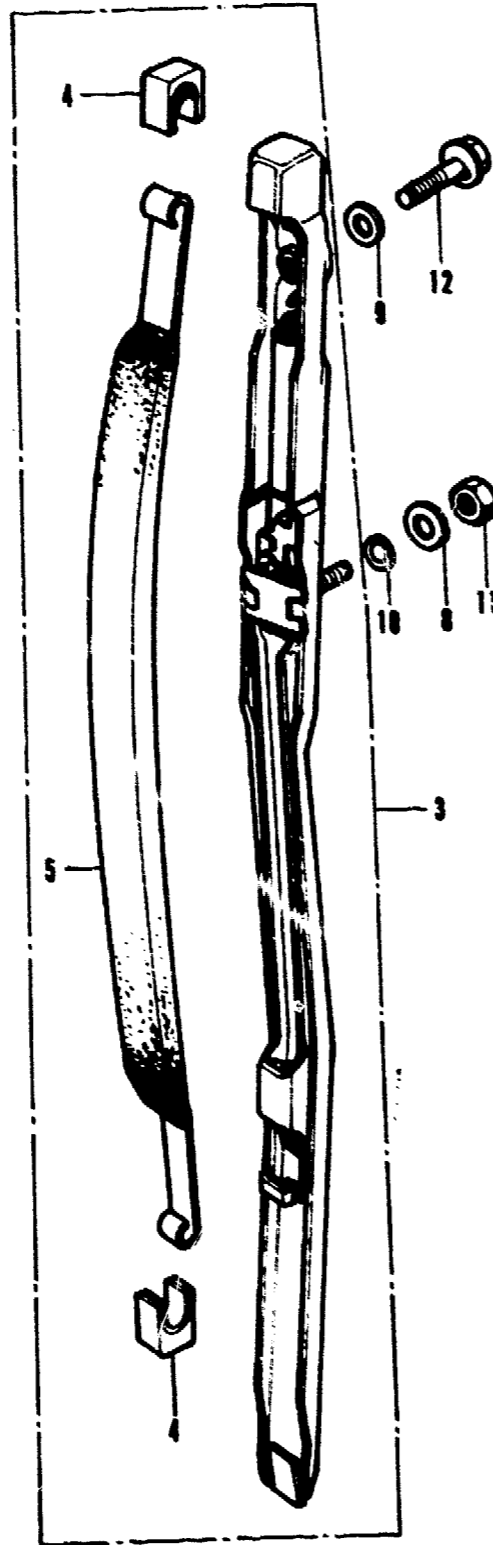
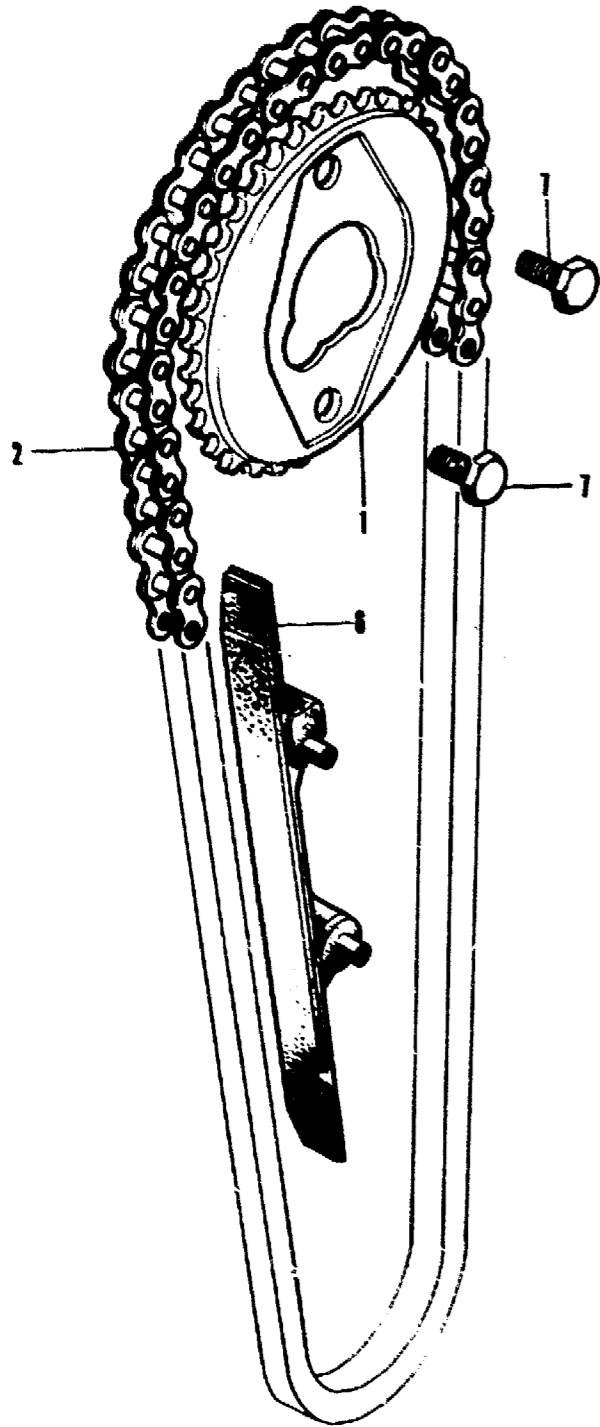
B323-04A

Courtesy of  Honda4Fun  
[www.hondafour.com](http://www.hondafour.com) [www.honda4fun.com](http://www.honda4fun.com)

E-5 Cam chain • Tensioner

E-5 Cam chain • Tensioner

Courtesy of  Honda4Fun  
www.hondafour.com www.honda4fun.com



8323-06

Ref. No.	Part No.	Description	Reqd. No.		Serial No.	Area code
			CB500	K1 K2		
1	14321-323-000	SPROCKET, CAM	1	1 1		
2	14401-323-003	CHAIN, CAM	1	1 1		
3	14500-323-000	TENSIONER COMP., CAM CHAIN	1	1 1		
4	14501-323-000	DAMPER, CAM CHAIN TENSIONER	2	2 2		
5	14520-323-000	SLIPPER, CAM CHAIN TENSIONER	1	1 1		
6	14611-323-000	GUIDE, CAM CHAIN	1	1 1		
7	90081-246-000	BOLT, HEX. KNOCK, 7X12	2	2 2		
8	90442-035-000	WASHER, SEALING, 6MM	1	1 1		
9	90481-250-000	WASHER A, 6.5MM	1	1 1		
10	91305-323-000	O-RING, 5.8X1.9	1	1 1		
11	94001-06000	NUT, HEX., 6MM	1	1 1		
12	95700-06022-00	BOLT, FLANGE, 6X22	1	1 1		

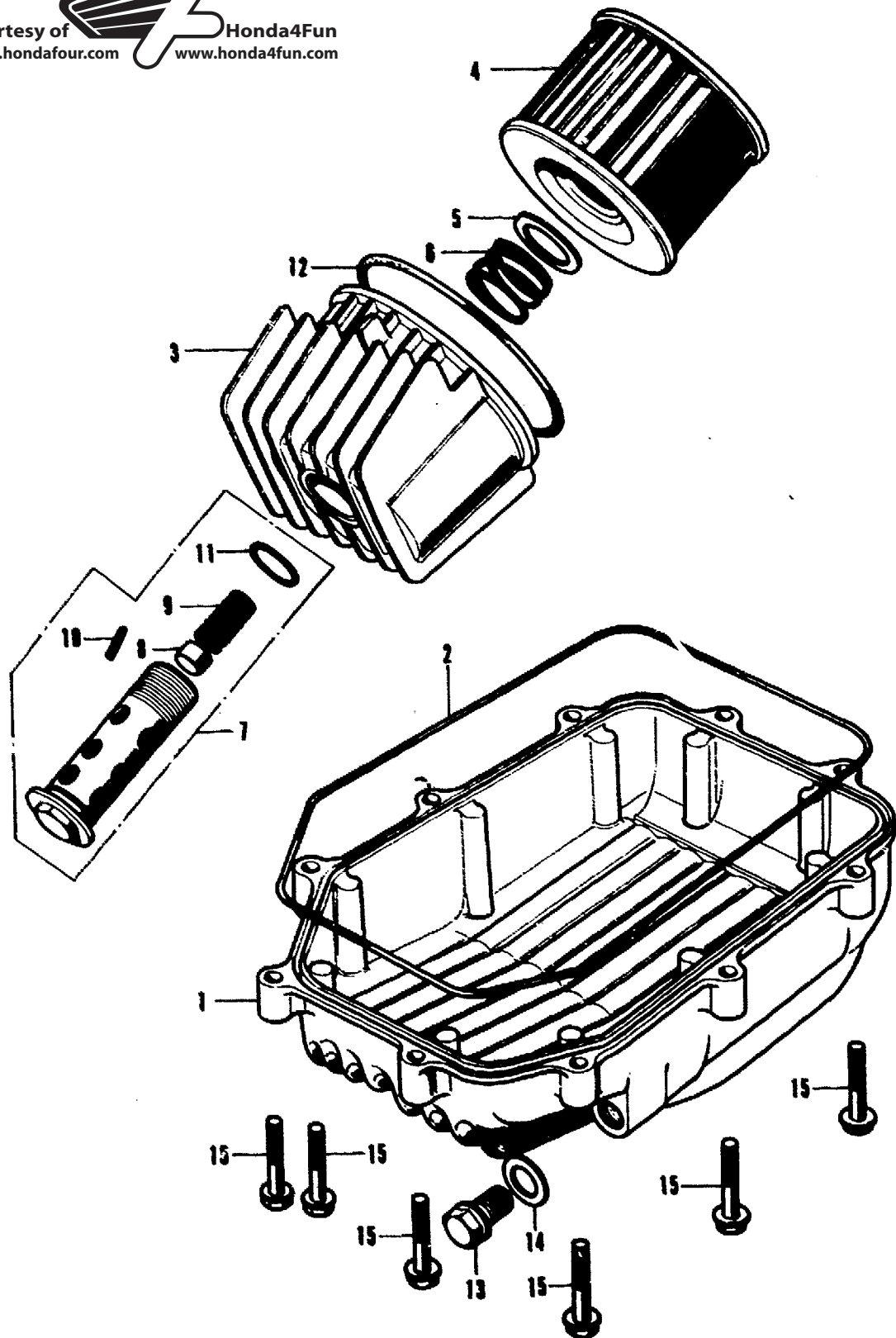
Courtesy of  Honda4Fun  
www.hondafour.com www.honda4fun.com



**E-6 Oil filter • Oil pan**

**E-6 Oil filter • Oil pan**

Courtesy of  Honda4Fun  
[www.hondafour.com](http://www.hondafour.com) [www.honda4fun.com](http://www.honda4fun.com)



Ref. No.	Part No.	Description	Reqd. No.		Serial No.	Area code
			CB500	K1 K2		
1	11210-323-000	PAN, OIL	1	1	1	
2	11398-323-000	GASKET, OIL PAN	1	1	1	
3	15411-300-010	CASE, OIL FILTER	1	1	1	
4	15412-300-024	ELEMENT, OIL FILTER (TOKYO ROKI)	1	1	1	
5	15414-300-000	SEAT, OIL FILTER SPRING	1	1	1	
6	15415-300-000	SPRING, OIL FILTER ELEMENT SET	1	1	1	
7	15420-300-020	BOLT, OIL FILTER CENTER	1	1	1	
8	15473-300-300	VALVE, CHECK	1	1	1	
9	15474-300-310	SPRING, CHECK VALVE	1	1	1	
10	15477-300-300	PIN, SPRING SET	1	1	1	
11	91304-028-000	O-RING, 15X2.5	1	1	1	
12	91316-300-003	O-RING, 89X4.5	1	1	1	
	91316-300-005	O-RING, 89X4.5	1	1	1	
13	92800-12000	BOLT, DRAIN PLUG, 12MM.	1	1	1	
14	94109-12000	WASHER, DRAIN PLUG, 12MM	1	1	1	
15	95700-06032-00	BOLT, FLANGE, 6X32	10	10	10	

B323-06

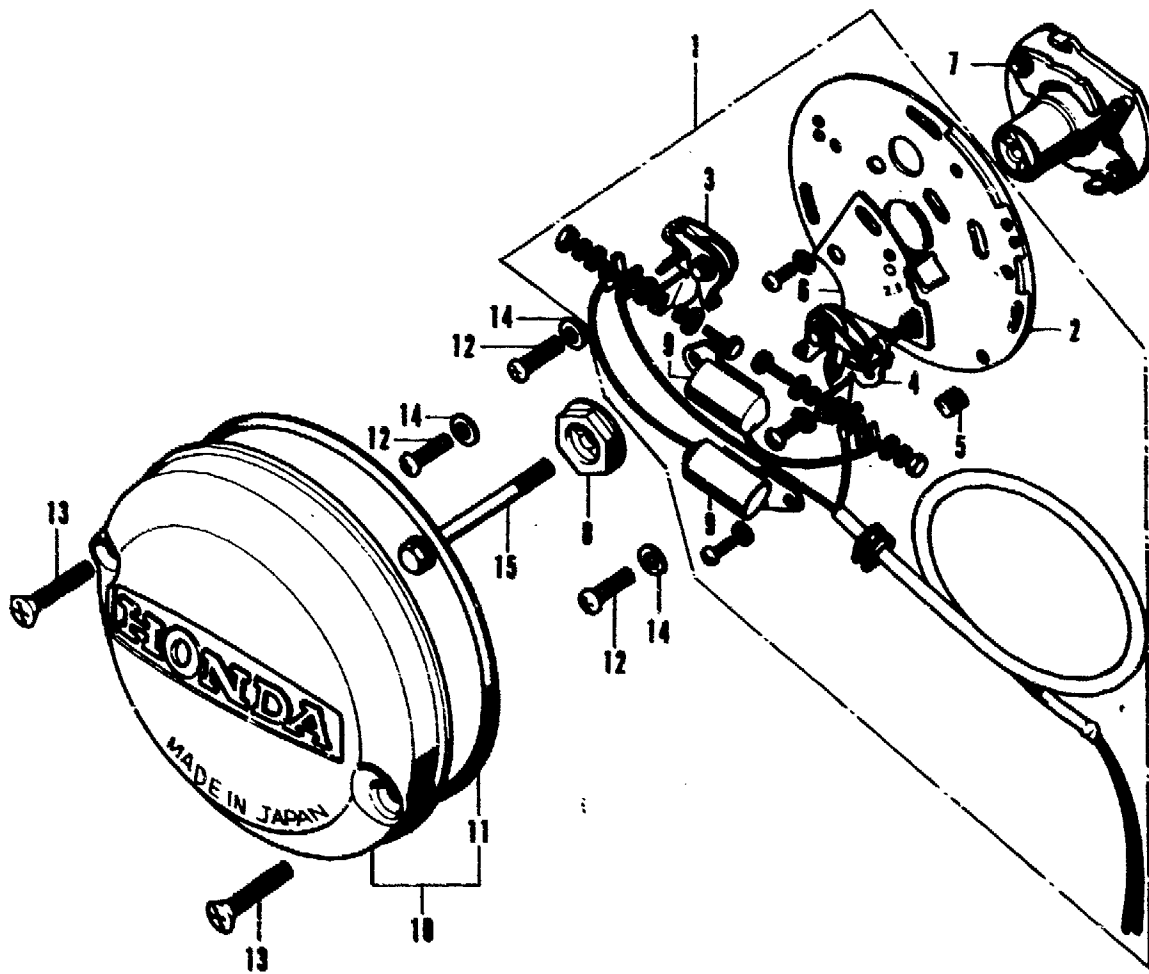
Courtesy of  Honda4Fun  
[www.hondafour.com](http://www.hondafour.com) [www.honda4fun.com](http://www.honda4fun.com)

E-7 Contact breaker • Spark advancer



E-7 Contact breaker • Spark advancer

Courtesy of  Honda4Fun  
www.hondafour.com www.honda4fun.com



Ref. No.	Part No.	Description	Reqd. No.		Serial No.	Area code
			CB500	K1 K2		
1	30200-323-005	BREAKER ASSY., CONTACT (HITACHI)	1	1 1		
	30200-323-154	BREAKER ASSY., CONTACT (TOYO)	1	1 1		
2	30201-300-015	PLATE, CONTACT BREAKER BASE (HITACHI)	1	1 1		
	30201-300-154	PLATE, CONTACT BREAKER BASE (TOYO)	1	1 1		
3	30203-300-005	BREAKER, CONTACT (1&4 HITACHI)	1	1 1		
	30203-300-154	BREAKER, CONTACT (1&4 TOYO)	1	1 1		
4	30204-300-005	BREAKER, CONTACT (2&3 HITACHI)	1	1 1		
	30204-300-154	BREAKER, CONTACT (2&3 TOYO)	1	1 1		
5	30205-003-005	FELT, OIL (HITACHI)	1	1 1		
	30205-300-154	FELT, OIL (TOYO)	1	1 1		
6	30215-300-005	PLATE, BREAKER SHIFT (HITACHI)	1	1 1		
	30215-300-154	PLATE, BREAKER SHIFT (TOYO)	1	1 1		
7	30220-323-005	ADVANCER ASSY., SPARK (HITACHI)	1	1 1		
	30220-323-154	ADVANCER ASSY., SPARK (TOYO)	1	1 1		
8	30233-300-000	WASHER, SPECIAL	1	1 1		
9	30250-300-005	CONDENSER COMP. (HITACHI)	2	2 2		
	30250-300-154	CONDENSER COMP. (TOYO)	2	2 2		
10	30370-323-000	COVER COMP., POINT	1	1 1		
11	30372-300-300	GASKET, POINT COVER	1	1 1		
12	93500-05012-0A	SCREW, PAN, 5X12	3	3 3		
13	93700-06032	SCREW, OVAL, 6X32	2	2 2		
14	94101-05000	WASHER, PLAIN, 5MM	3	3 3		
15	95700-06055-00	BOLT, FLANGE, 6X55	1	1 1		

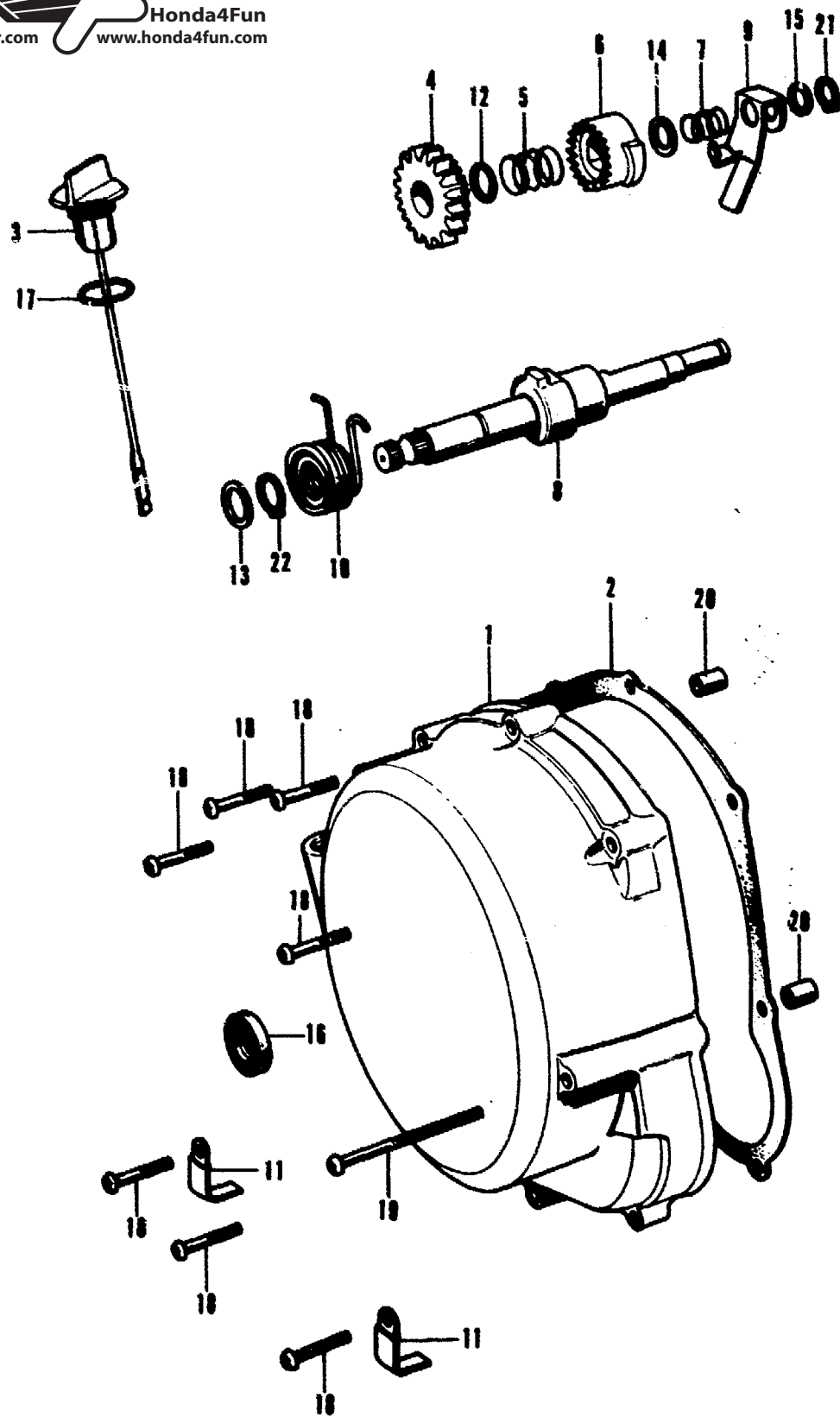
B323-07

Courtesy of  Honda4Fun  
www.hondafour.com www.honda4fun.com

**E-8 Right crankcase cover - Kick spindle**

**E-8 Right crankcase cover - Kick spindle**

Courtesy of  Honda4Fun  
www.hondafour.com www.honda4fun.com



Ref. No.	Part No.	Description	Reqd. No.		Serial No.	Area code
			CB500	K1 K2		
1	11331-323-000	COVER COMP., R. CRANKCASE 06111-323-000	1		1018721	
	06111-323-000	COVER KIT, RIGHT CRANKCASE	1		1018727	
	11331-323-010	COVER COMP., R. CRANKCASE	1	1 1	1018728	
2	11394-323-000	GASKET, R. CRANKCASE COVER 11394-323-010	1		1018727	
	11394-323-010	GASKET, R. CRANKCASE COVER	1	1 1	1018728	
3	15650-323-000	GAUGE, OIL LEVEL	1	1 1		
4	28211-323-000	PINION, KICK STARTER	1	1 1		
5	28215-216-000	SPRING, STARTER PINION SET	1	1 1		
6	28221-310-010	RATCHET, KICK STARTER	1	1 1		
7	28223-216-000	SPRING, KICK STARTER RATCHET	1	1 1		
8	28251-323-000	SPINDLE, KICK STARTER	1	1 1		
9	28258-310-010	PLATE, RATCHET GUIDE	1	1 1		
10	28261-323-000	SPRING, KICK STARTER	1	1 1		
11	32111-323-000	CLAMPER, CORD	2	2 2		
12	90451-216-000	WASHER, THRUST, 20MM	1	1 1		
13	90453-286-003	WASHER, 18MM (KOYO)	1	1 1		
14	90454-200-000	WASHER, THRUST, 15MM	1	1 1		
15	90457-500-000	WASHER, CAM CHAIN GUIDE ROLLER THRUST	1	1 1		
16	91204-286-003	OIL SEAL, 18X29X7	1	1 1		
17	91354-702-000	O-RING, 23MM	1	1 1		
18	93500-06032	SCREW, PAN, 6X32	9	9 9		
19	93500-06080	SCREW, PAN, 6X80	1	1 1		
20	94301-08140	PIN A, DOWEL, 8X14	2	2 2		
21	94510-12000	CIR CLIP, EXTERNAL, 12	1	1 1		
22	94510-18000	CIR CLIP, EXTERNAL, 18	1	1 1		

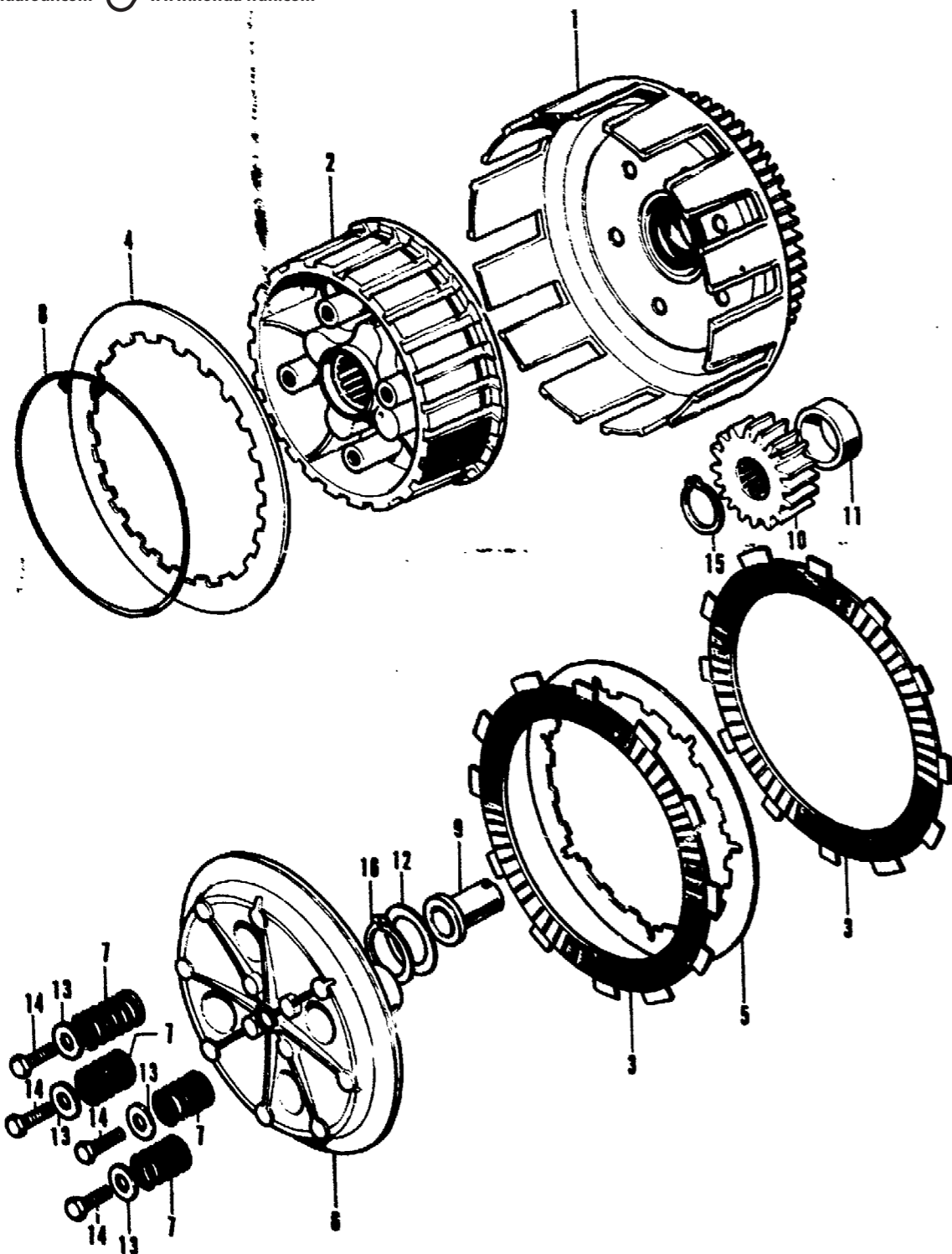
B323-08

Courtesy of  Honda4Fun  
www.hondafour.com www.honda4fun.com

## E-9 Clutch

## E-9 Clutch

Courtesy of  Honda4Fun  
www.hondafour.com www.honda4fun.com



Ref. No.	Part No.	Description	Reqd. No.		Serial No.	Area code
			CB500	K: K2		
1	22100-323-000	OUTER COMP., CLUTCH	1	1		
2	22120-323-000	CENTER COMP., CLUTCH	1		1021198	
	22120-323-010	CENTER COMP., CLUTCH	1	1	1021199	
3	22201-323-000	DISK, CLUTCH FRICTION 22201-323-010	7		1018727	
	22201-323-010	DISK, CLUTCH FRICTION	7	7	1018728	
4	22311-286-000	PLATE A, CLUTCH	1		1021198	
5	22321-286-000	PLATE B, CLUTCH 22321-357-010	6		1018727	
	22321-323-000	PLATE B, CLUTCH	6	6	1018728	
6	22350-286-000	PLATE, CLUTCH PRESSURE	1	1		
7	22401-275-000	SPRING, CLUTCH	4	4	2112144	
	22401-323-003	SPRING, CLUTCH	4	4	2112145	
8	22431-259-000	RING, CLUTCH PLATE STOPPER	1		1021198	
9	22838-323-000	PIECE, CLUTCH LIFTER JOINT	1	1		
10	23103-323-000	GEAR, PRIMARY DRIVE (23T)	1	1		
11	23105-323-000	COLLAR, 22X13.6	1	1		
12	90458-323-000	SPACER, 0.1MM	N		1021198	
	90459-323-000	SPACER, 0.3MM	N		1021198	
	90460-323-000	SPACER, 0.5MM	N		1021198	
	90458-323-010	SPACER, 0.1MM	N	N	1021199	
	90459-323-010	SPACER, 0.3MM	N	N	1021199	
	90460-323-010	SPACER, 0.5MM	N	N	1021199	
13	90481-259-000	WASHER, 6X19	4		1021198	
	22501-323-000	WASHER, 6X19	4	4	1021199	
14	92020-06020	BOLT, HEX., 6X20	4	4		
15	94510-20000	CIR CLIP, EXTERNAL, 20	1	1		
16	94510-25150	CIR CLIP, EXTERNAL, 25	1	1		

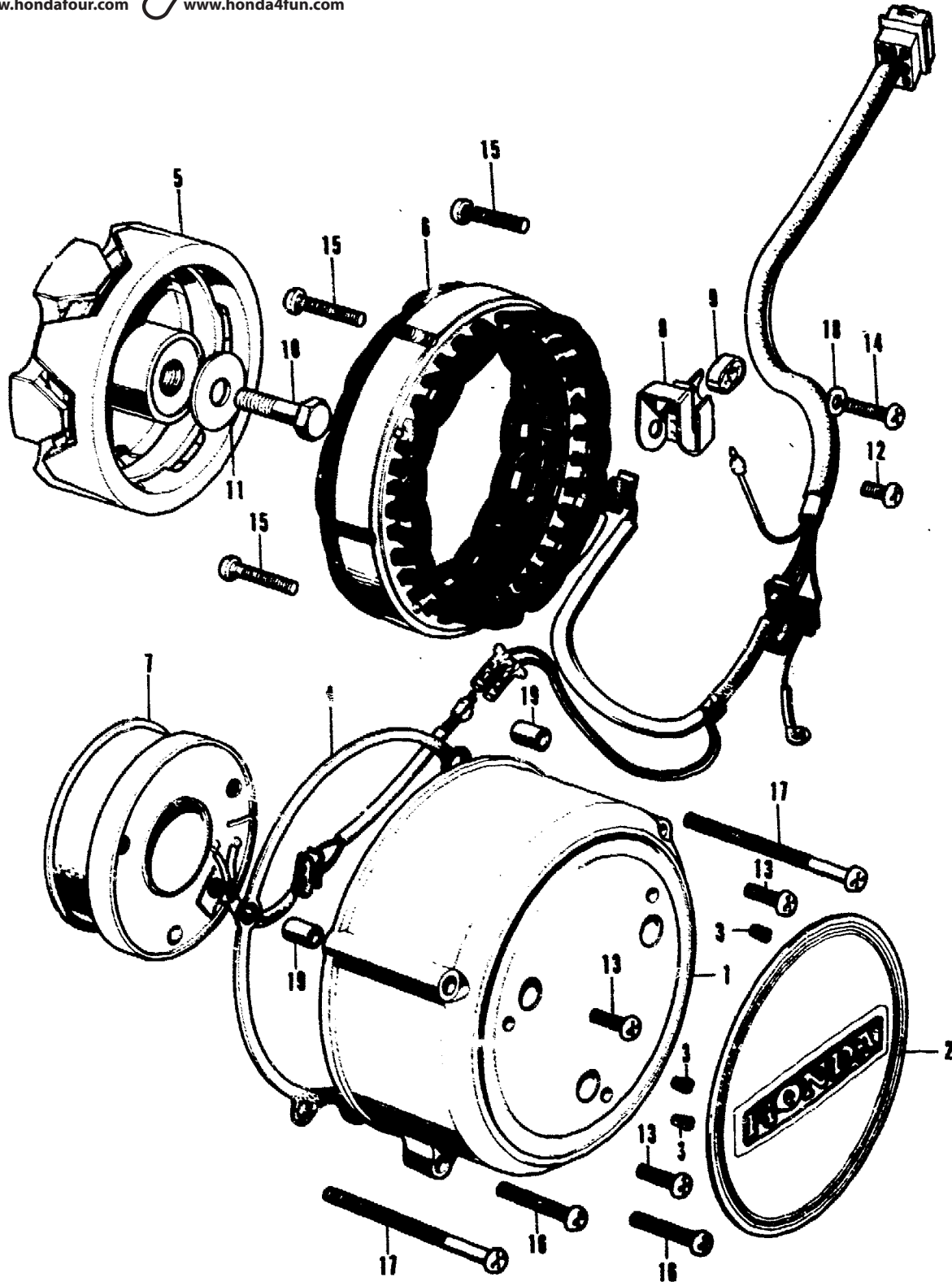
8323-09

Courtesy of  Honda4Fun  
www.hondafour.com www.honda4fun.com

## E-10 Generator

## E-10 Generator

Courtesy of  Honda4Fun  
[www.hondafour.com](http://www.hondafour.com) [www.honda4fun.com](http://www.honda4fun.com)



Ref. No.	Part No.	Description	Reqd. No.		Serial No.	Area code
			CB500	K1 K2		
1	11631-323-000	COVER A, DYNAMO	1	1 1		
2	11632-323-003	COVER B, DYNAMO (UEHARA)	1	1 1		
3	11633-323-000	PUSH ON FIX, J TYPE	3	3 3		
4	11691-323-000	GASKET, DYNAMO COVER	1	1 1		
5	31101-323-005	ROTOR COMP. (HITACHI)	1	1 1		
6	31102-323-005	STATOR COMP. (HITACHI) 31102-323-305	1		1033424	
	31102-323-305	STATOR COMP. (HITACHI)	1		1033424	
	31102-323-015	STATOR COMP. (HITACHI)	1		1033425	
	31102-323-025	STATOR COMP. (HITACHI)	1	1 1		
7	31103-323-005	COIL COMP., FIELD (HITACHI)	1	1 1		
8	35752-323-000	STATOR, NEUTRAL SWITCH	1	1 1		
9	35753-323-000	ROTOR, NEUTRAL SWITCH	1	1 1		
10	90014-323-000	BOLT, HEX., 10X35 90014-333-000	1		2034711	
	90014-333-000	BOLT, UBS, 10X32	1	1	2034712	
11	90401-551-000	WASHER, 10X30X3.5	1	1	2034711	
12	93500-06012	SCREW, PAN, 6X12	1	1 1		
13	93500-06016	SCREW, PAN, 6X16	3	3 3		
14	93500-06020	SCREW, PAN, 6X20	1	1 1		
15	93500-06028	SCREW, PAN, 6X28	3	3 3		
16	93500-06032	SCREW, PAN, 6X32	2	2 2		
17	93500-06065	SCREW, PAN, 6X65	2	2 2		
18	94101-06000	WASHER, PLAIN, 6MM	1	1 1		
19	94301-08140	PIN A, DWEL, 8X14	2	2 2		

8323-10

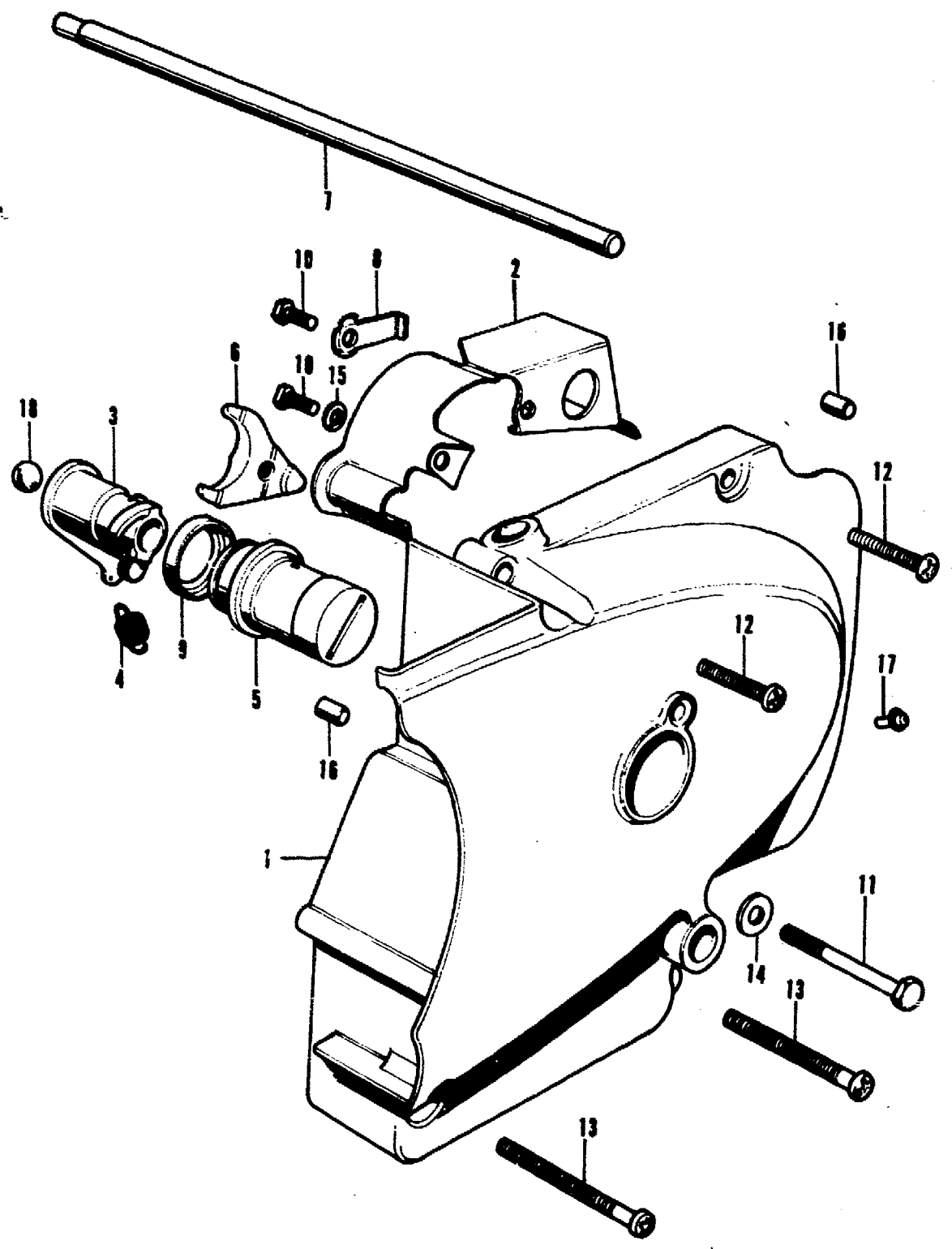
Courtesy of  Honda4Fun  
[www.hondafour.com](http://www.hondafour.com) [www.honda4fun.com](http://www.honda4fun.com)

# C 12

## E-11 Left crankcase cover

## E-11 Left crankcase cover

Courtesy of  Honda4Fun  
[www.hondafour.com](http://www.hondafour.com) [www.honda4fun.com](http://www.honda4fun.com)



Ref. No.	Part No.	Description	Reqd. No.		Serial No.	Area code
			CB500	K1 K2		
1	11341-323-000	COVER COMP., L. CRANKCASE	1	1 1		
2	11353-323-000	PROTECTOR, CASE 11353-363-000	1			
	11353-363-000	PROTECTOR, CASE		1 1		
3	22810-323-000	THREAD COMP., CLUTCH LIFTER	1	1 1		
4	22815-323-000	SPRING, CLUTCH LEVER 22815-283-000	1			
	22815-283-000	SPRING, CLUTCH LEVER		1 1		
5	22841-266-000	ADJUSTER, CLUTCH	1	1 1		
6	22844-323-000	PEACE, ADJUSTER FIXING	1	1 1		
7	22850-292-020	ROD, CLUTCH LIFTER 22850-323-000	1		1018727	
	22850-323-000	ROD, CLUTCH LIFTER	1		1018728	
				1 1		
8	90532-323-000	WASHER, TONGUED, 6MM	1	1 1		
9	91205-230-000	OIL SEAL, 22X26X29X8	1	1 1		
10	92000-06016	BOLT, HEX., 6X16	2	2 2		
11	92000-06045	BOLT, HEX., 6X45	1	1 1		
12	93500-06032	SCREW, PAN, 6X32	2	2 2		
13	93500-06055	SCREW, PAN, 6X55	2	2 2		
14	94101-06000	WASHER, PLAIN, 6MM	1	1 1		
15	94111-06000	WASHER, SPRING, 6MM	1	1 1		
16	94302-06100	PIN B, DWEL, 6X10	2	2 2		
17	96201-30001	NIPPLE, GREASE, A.45	1	1 1		
18	96211-10000	BALL, STEEL, #10 (5/16)	1	1 1		

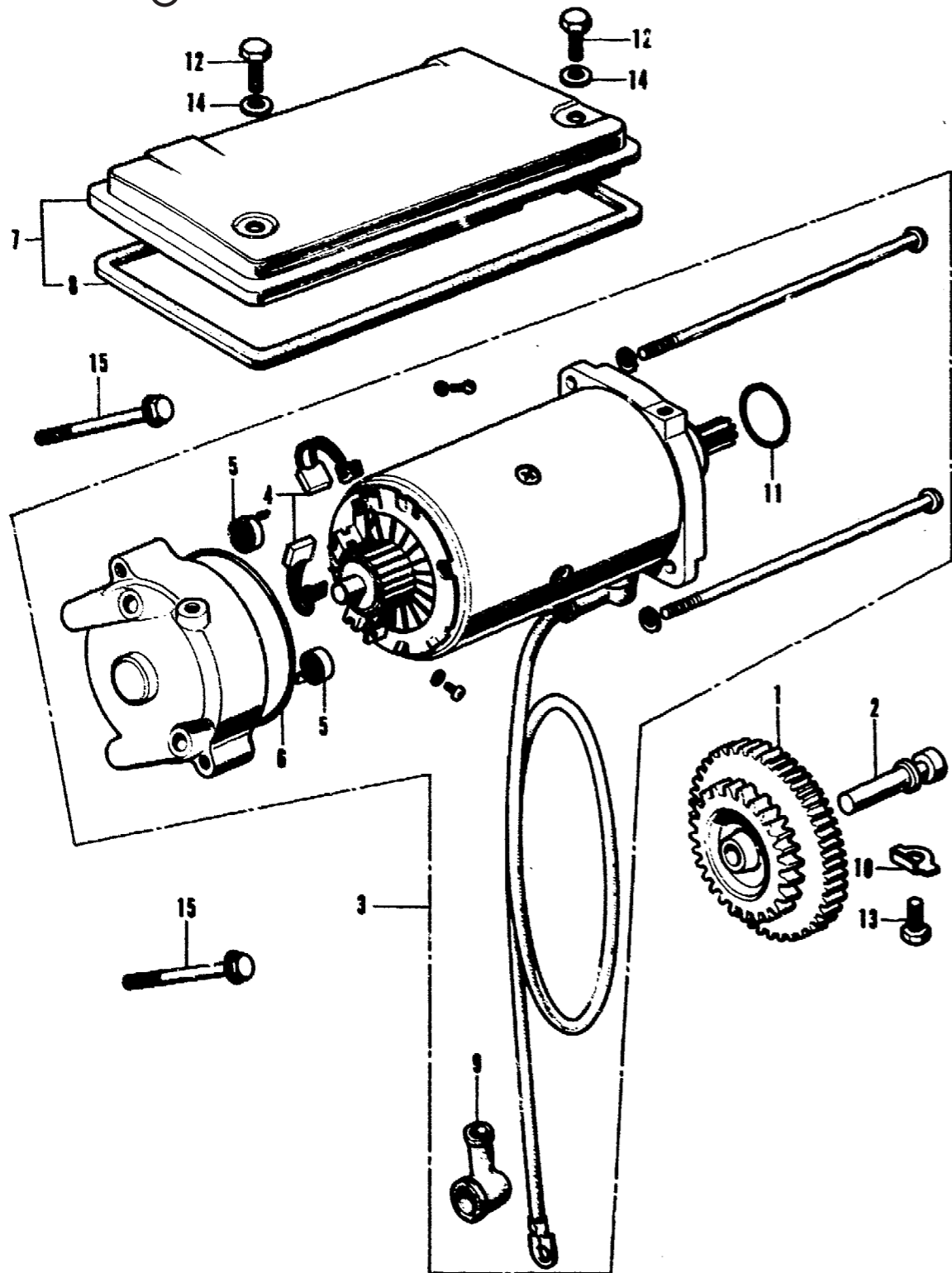
B323-11

Courtesy of  Honda4Fun  
[www.hondafour.com](http://www.hondafour.com) [www.honda4fun.com](http://www.honda4fun.com)

E-12 Starting motor

E-12 Starting motor

Courtesy of  Honda4Fun  
www.hondafour.com www.honda4fun.com



Ref. No.	Part No.	Description	Reqd. No.		Serial No.	Area code
			CB500	K1 K2		
1	28101-323-000	GEAR, STARTER REDUCTION	1	1 1		
2	28106-323-000	SHAFT, STARTER REDUCTION GEAR	1	1 1		
3	31200-323-013	MOTOR ASSY., STARTING	1	1 1		
4	31201-292-158	BRUSH SET, CARBON (MITSUBA)	2	2 2		
5	31204-292-158	SPRING, CARBON BRUSH (MITSUBA)	2	2 2		
6	31206-286-158	O-RING (MITSUBA)	1	1 1		
7	31280-323-000	COVER COMP., STARTING MOTOR	1	1 1		
8	31282-323-300	PACKING, STARTING MOTOR COVER	1	1 1		
9	32411-253-000	COVER, STARTING MOTOR TERMINAL	2	2 2		
10	90433-283-000	WASHER, LOCK, 6MM	1	1 1		
11	91309-300-000	O-RING, 24.4X3.1	1	1 1		
12	92000-06012-02	BOLT, HEX., 6X12	2	2 2		
13	92000-06012	BOLT, HEX., 6X12	1	1 1		
14	94101-06200	WASHER, PLAIN, 6MM	2	2 2		
15	95700-06055-00	BOLT, FLANGE, 6X55	2	2 2		

B323-12

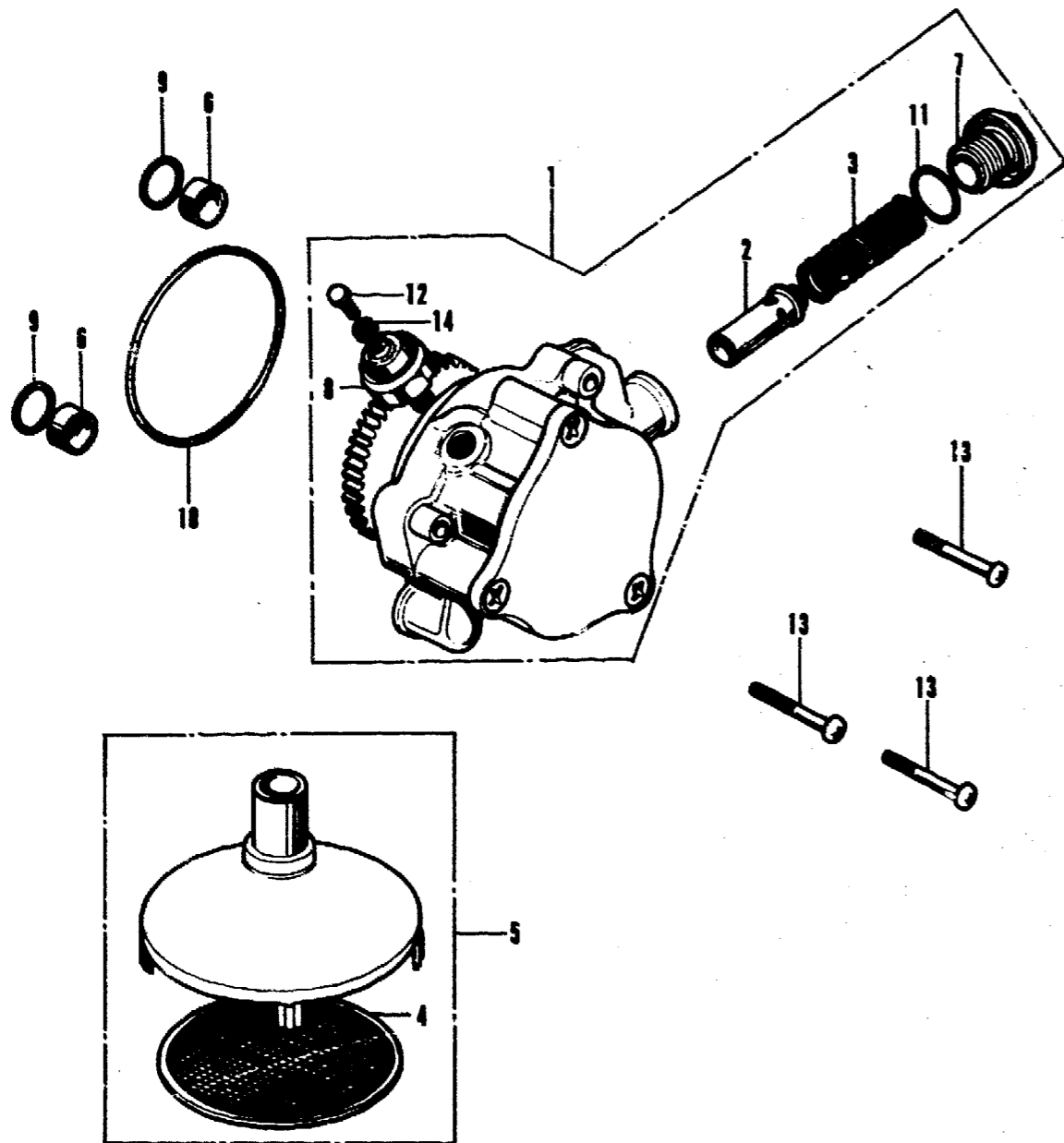
Courtesy of  Honda4Fun  
www.hondafour.com www.honda4fun.com

E-13 Oil pump

**C 14**

E-13 Oil pump

Courtesy of  Honda4Fun  
www.hondafour.com www.honda4fun.com



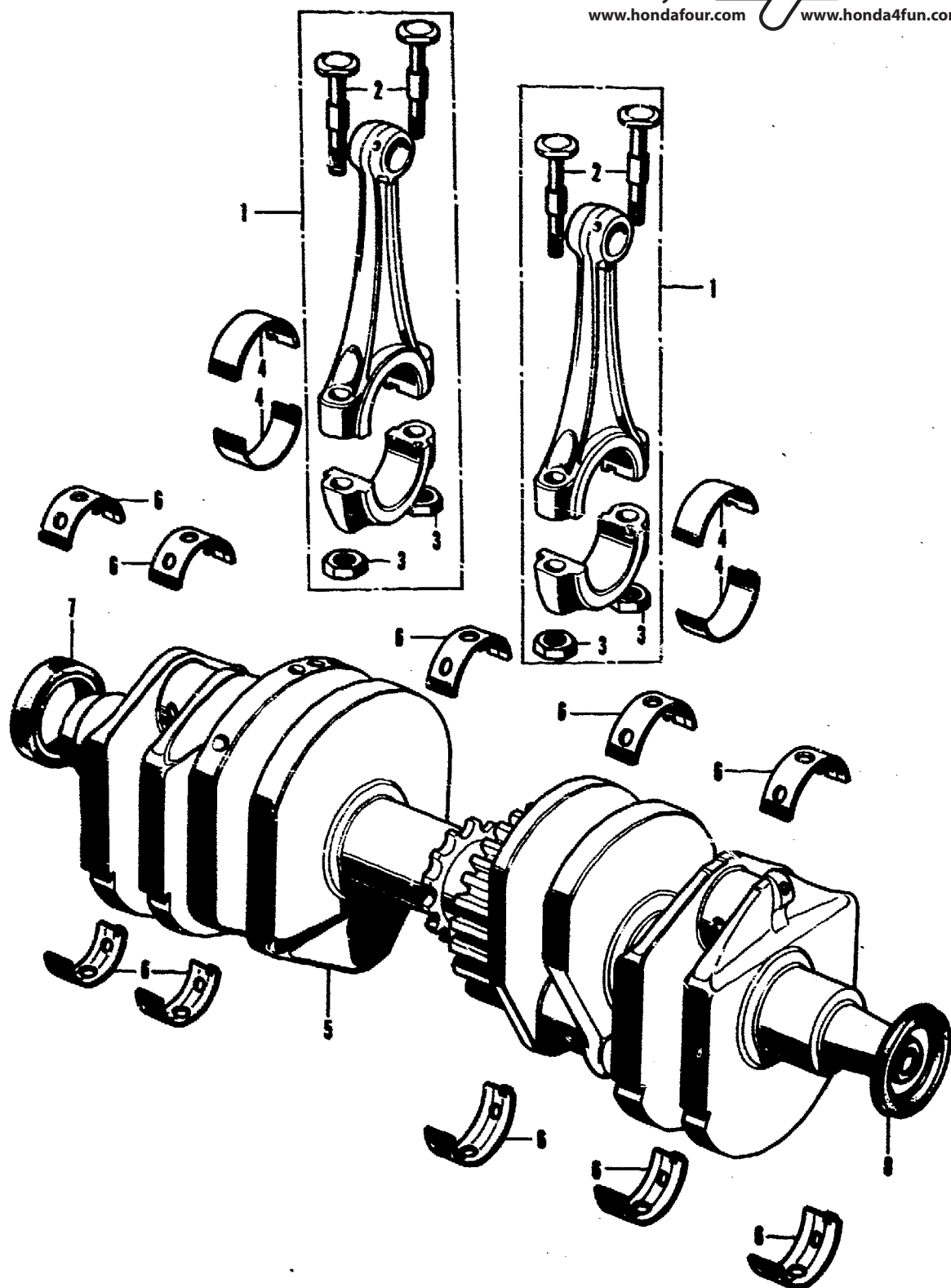
Ref. No.	Part No.	Description	Reqd. No.		Serial No.	Area code
			CB500	K1 K2		
1	15100-323-003	PUMP ASSY., OIL (YAMADA)	1	1 1		
2	15140-300-010	VALVE, RELIEF	1	1 1		
3	15145-300-000	SPRING, RELIEF VALVE	1	1 1		
4	15150-300-000	SCREEN, OIL STRAINER	1	1 1		
5	15150-323-000	STRAINER ASSY., OIL	1	1 1		
6	15155-323-000	COLLAR, O-RING	2	2 2		
7	15331-323-003	CAP, OIL PATH	1	1 1		
8	35500-300-000	SWITCH ASSY., OIL PRESSURE	1	1 1		2165345
	35500-333-014	SWITCH ASSY., OIL PRESSURE (ND)	1	1	2165346	
9	91301-268-020	O-RING, 14MM	2	2 2		
10	91302-250-010	O-RING, 47MM	1	1 1		
11	91315-044-000	O-RING, 19.4X2.8	1	1 1		
12	92000-04006-0A	BOLT, HEX., 4X6	1	1 1		
13	93500-06035	SCREW, PAN, 6X35	3	3 3		
14	94101-04000	WASHER, PLAIN, 4MM	1	1 1		

B323-13

Courtesy of  Honda4Fun  
www.hondafour.com www.honda4fun.com



Courtesy of  Honda4Fun  
www.hondafour.com www.honda4fun.com



B323-14

Ref. No.	Part No.	Description	Reqd. No.		Serial No.	Area code
			CB500	K1 K2		
1	13203-323-000	ROD COMP. C, CONNECTING 13204-323-000	4	4		
	13204-323-000	ROD COMP. D, CONNECTING	4	4		
	13205-323-000	ROD COMP. E, CONNECTING	4	4		
	13206-323-000	ROD COMP. F, CONNECTING	4	4		
	13207-323-000	ROD COMP. G, CONNECTING 13206-323-000	4	4		
2	13213-323-300	BOLT, CONNECTING ROD 13213-333-003	8			
	13213-333-003	BOLT, CONNECTING ROD (TOKAI)	8		2034711	
3	13214-300-000	NUT, CONNECTING ROD	8	8		
4	13215-323-003	BEARING A, CONNECTING ROD (DAIDO)	8	8	2034712	
	13216-323-003	BEARING B, CONNECTING ROD (DAIDO)	8	8		
	13217-323-003	BEARING C, CONNECTING ROD (DAIDO)	8	8		
	13218-323-003	BEARING D, CONNECTING ROD (DAIDO)	8	8		

Selection table of connecting rod big end bearing  
(Oil clearance 18~47 $\mu$ )

Connecting rod allowance (36 $\mu$ )	Crank pin allowance (35 $\mu$ )	
	A	B
$+0.006$ $-0.004$	B (BROWN)	A (BLACK)
3 $+0.021$ $+0.014$	B (BROWN)	A (BLACK)
2 $+0.014$ $+0.007$	C (GREEN)	B (BROWN)
1 $+0.007$ $\pm 0$	D (YELLOW)	C (GREEN)

5	13300-323-000	CRANKSHAFT COMP.	1	1	1
6	13315-323-000	BEARING A, CRANKSHAFT	10	10	1C
	13316-323-000	BEARING B, CRANKSHAFT	10	10	10
	13317-323-000	BEARING C, CRANKSHAFT	10	10	10
	13318-323-000	BEARING D, CRANKSHAFT	10	10	10

Selection table of crankshaft journal main bearing  
(Oil clearance 20~48 $\mu$ )

Crankcase allowance (36 $\mu$ )	Crankshaft journal allowance (33 $\mu$ )	
	1	2
$\pm 0$ $-0.010$	B (BROWN)	A (BLACK)
C $+0.006$ $-0.002$	B (BROWN)	A (BLACK)
B $-0.002$ $-0.010$	C (GREEN)	B (BROWN)
A $-0.010$ $-0.018$	D (YELLOW)	C (GREEN)

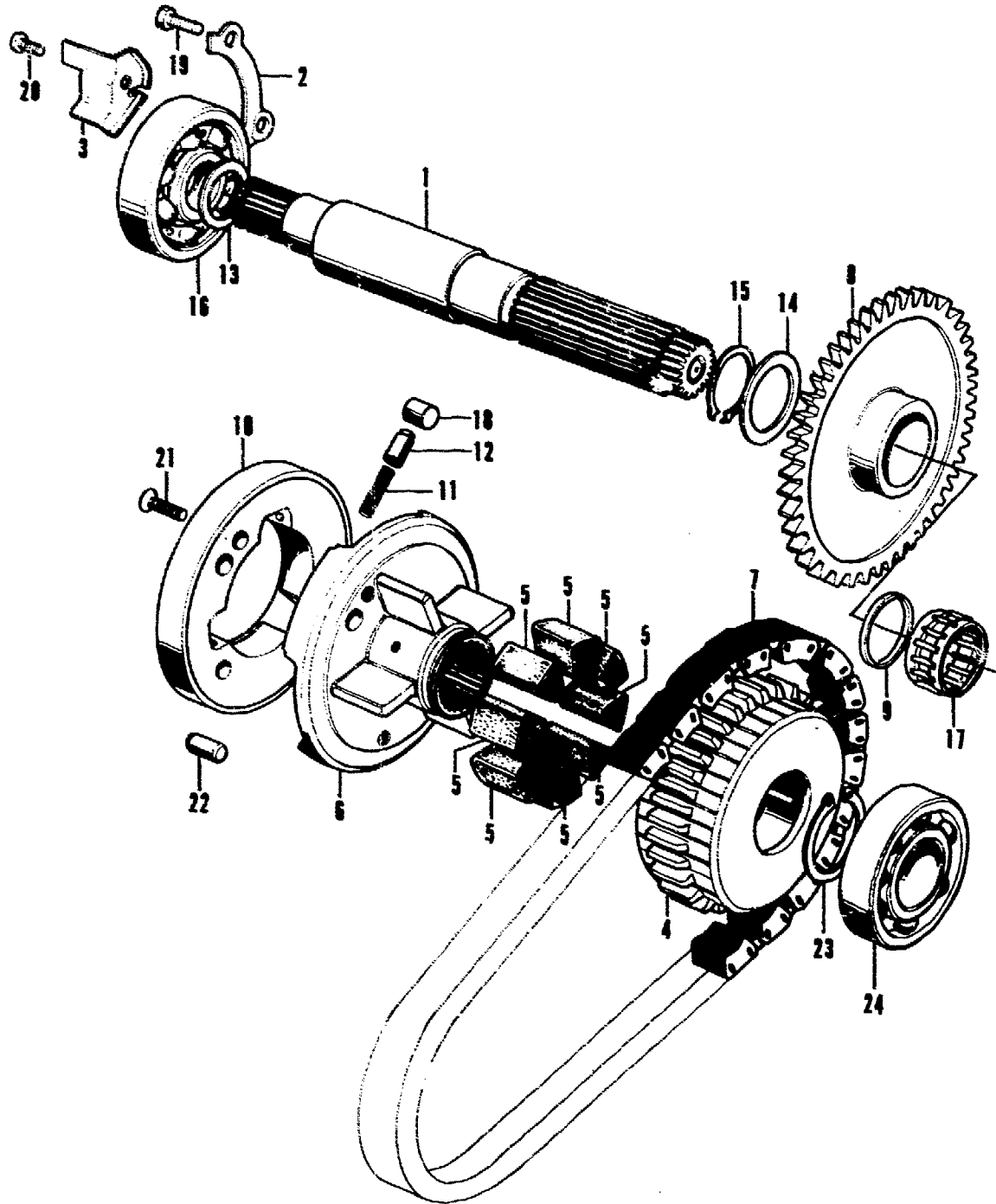
7	91201-300-003	OIL SEAL, 30X42X8	1	1	1
8	91201-323-005	OIL SEAL, 30X45X8	1	1	1

Courtesy of  Honda4Fun  
www.hondafour.com www.honda4fun.com

E-15 Primary shaft

E-15 Primary shaft

Courtesy of  Honda4Fun  
www.hondafour.com www.honda4fun.com



Ref. No.	Part No.	Description	Reqd. No.		Serial No.	Area code
			CB500	K1 K2		
1	23100-323-000	SHAFT COMP., PRIMARY	1	1 1		
2	23102-323-000	PLATE, BEARING SET	1	1 1		
3	23106-323-000	PLATE, OIL GUIDE	1	1 1	1018728	
4	23111-323-010	SPROCKET, PRIMARY DRIVEN (28T)	1	1 1		
5	23114-323-000	RUBBER, DAMPER	8	8 8		
6	23121-323-010	HUB, PRIMARY DRIVE SPROCKET	1	1 1		
7	23131-323-003	CHAIN, PRIMARY DRIVE	1	1 1		
8	28111-323-000	GEAR, STARTING CLUTCH	1	1 1		
9	28112-323-000	SPACER, 25MM	1	1 1		
10	28120-323-000	OUTER, STARTING CLUTCH	1	1 1		
11	28125-323-000	SPRING, STARTING CLUTCH ROLLER	3	3 3		
12	28126-323-000	CAP, STARTING CLUTCH ROLLER SPRING	3	3 3		
13	90456-323-000	WASHER, THRUST, 22MM	1	1 1		
14	90555-700-000	WASHER, THRUST, 25MM	1	1 1		
15	90602-259-010	CIR CLIP, EXTERNAL, 25MM	1	1 1		
16	91005-323-004	BEARING, BALL, 63/22 (KOYO)	1	1 1	2140429	
	91001-116-008	BEARING, RADIAL BALL, 6322 (TOYO)	1	1 1	2140430	
17	91007-323-000	BEARING, NEEDLE, 25X29X17	1	1 1		
18	91103-259-000	ROLLER, 10.2X11.5	3	3 3		
19	92000-06016	BOLT, HEX., 6X16	2		1018727	
	92000-06020	BOLT, HEX., 6X20	1	1 1	1018728	
20	93500-06016	SCREW, PAN, 6X16	1	1 1	1018728	
21	93600-06018	SCREW, FLAT, 6X18	3	3 3		
22	94303-08140	PIN C, DOWEL, 8X14	1	1 1		
23	94510-30000	CIR CLIP, EXTERNAL, 30	1	1 1		
24	96100-62050	BEARING, RADIAL BALL, 6205	1	1 1		

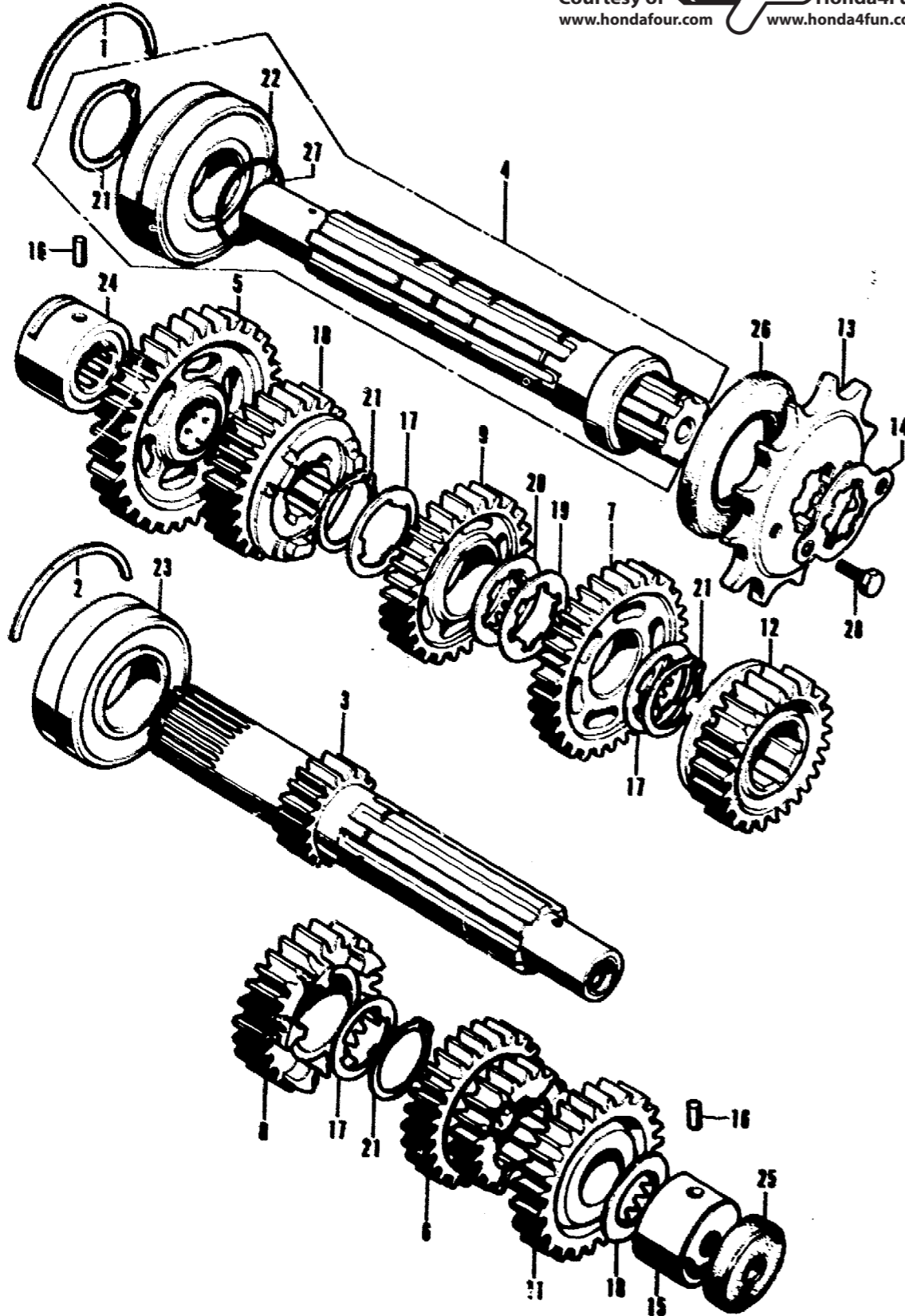
B323-15A

Courtesy of  Honda4Fun  
www.hondafour.com www.honda4fun.com

## E-16 Transmission

## E-16 Transmission

  
 Courtesy of [www.hondafour.com](http://www.hondafour.com) [www.honda4fun.com](http://www.honda4fun.com)



Ref. No.	Part No.	Description	Reqd. No.		Serial No.	Area code
			CB500	K1 K2		
1	13491-283-000	RING, BEARING SET, 57MM	1	1 1		
2	13492-283-000	RING, BEARING SET, 52MM	1	1 1		
3	23210-323-000	SHAFT COMP., TRANSMISSION MAIN	1	1 1		
4	23220-323-000	SHAFT, TRANSMISSION COUNTER	1	1 1		
5	23420-323-000	GEAR, COUNTERSHAFT LOW	1			
	23420-323-010	GEAR, COUNTERSHAFT LOW	1	1		
6	23431-323-000	GEAR, MAINSHAFT SECOND THIRD (22T, 26T)	1	1 1		
7	23441-286-020	GEAR, COUNTERSHAFT SECOND (36T)	1	1 1		
8	23451-323-000	GEAR, MAINSHAFT FOURTH (28T)	1	1 1		
9	23461-286-030	GEAR, COUNTERSHAFT THIRD (33T)	1	1 1		
10	23471-286-010	GEAR, COUNTERSHAFT FOURTH (29T)	1	1 1		
11	23481-323-000	GEAR, MAINSHAFT TOP (30T)	1	1 1		
12	23491-286-030	GEAR, COUNTERSHAFT TOP (27T)	1	1 1	2150031	
	23491-374-000	GEAR, COUNTERSHAFT TOP (27T)	1		2150032	
13	23801-300-010	SPROCKET, DRIVE (17T)	1	1 1		
14	23811-292-000	PLATE, DRIVE SPROCKET FIXING	1	1 1		
15	23931-323-004	BEARING, NEEDLE, 20MM (KCYD)	2	1 1		
16	24261-283-000	PIN, GEARSHIFT FORK GUIDE	2	2 2		
17	90451-286-000	WASHER A, THRUST, 25MM	3	3 3		
18	90458-292-000	WASHER, THRUST, 20MM	1	1 1		
19	90461-286-000	WASHER B, THRUST, 25MM	1	1 1		
20	90462-323-000	WASHER, LOCK, 25MM	1	1 1		
21	90602-259-010	CIR CLIP, EXTERNAL, 25MM	4	4 4		
22	91002-283-003	BEARING, SPECIAL BALL, 5205 (FUJIKUSHI)	1	1 1		
23	91002-286-008	BEARING, BALL, 5205HS (TOYO)	1	1 1		
24	91022-286-016	BEARING, NEEDLE, 20MM (TONSON)	1	1 1		
25	91203-292-003	OIL SEAL, 8X34X8	1	1 1		
	91203-292-005	OIL SEAL, 8X34X8	1	1 1		
26	91205-283-010	OIL SEAL, 33X57X7	1	1 1		
27	91306-703-000	O-RING, 24.5MM	1	1 1		
28	92000-06012	BOLT, HEX., 6X12	2	2 2		

8323-16

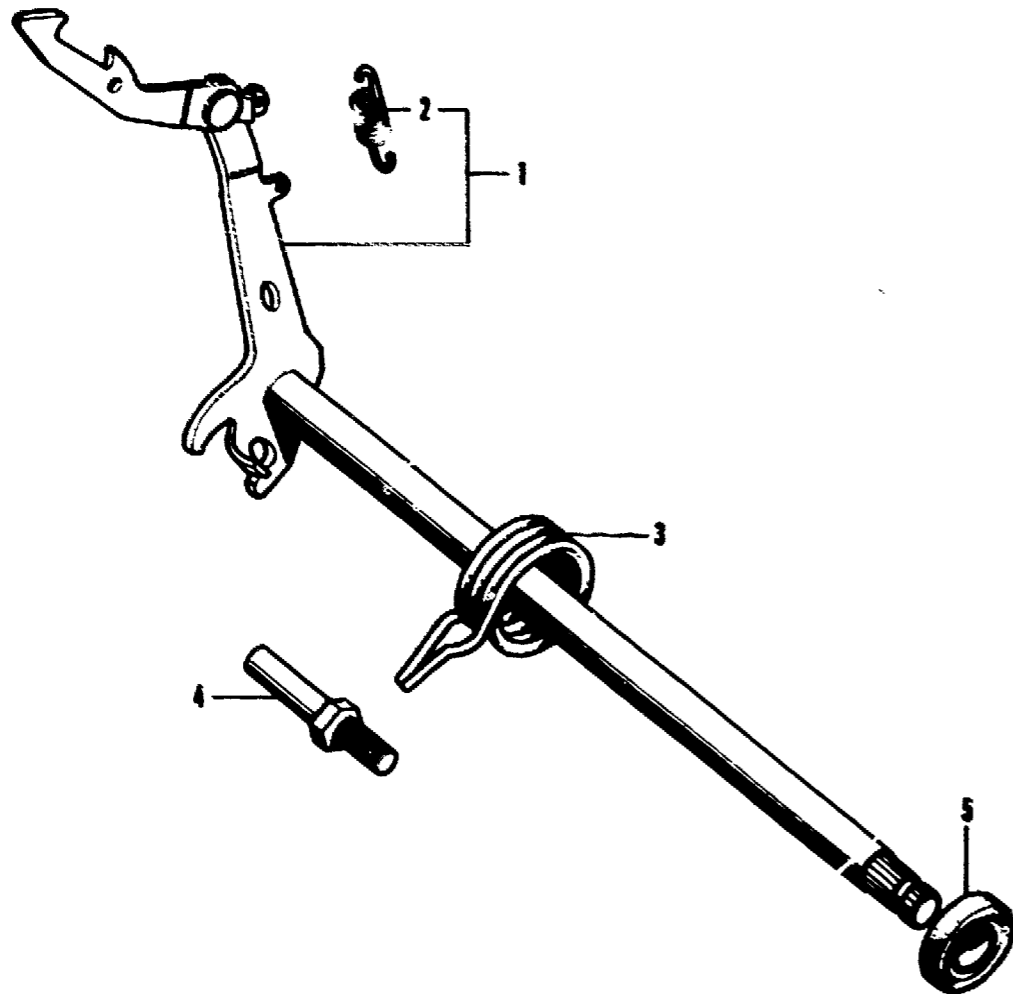
  
 Courtesy of [www.hondafour.com](http://www.hondafour.com) [www.honda4fun.com](http://www.honda4fun.com)

**E-17 Gearshift spindle**

**E-17 Gearshift spindle**

Courtesy of  Honda4Fun  
[www.hondafour.com](http://www.hondafour.com) [www.honda4fun.com](http://www.honda4fun.com)

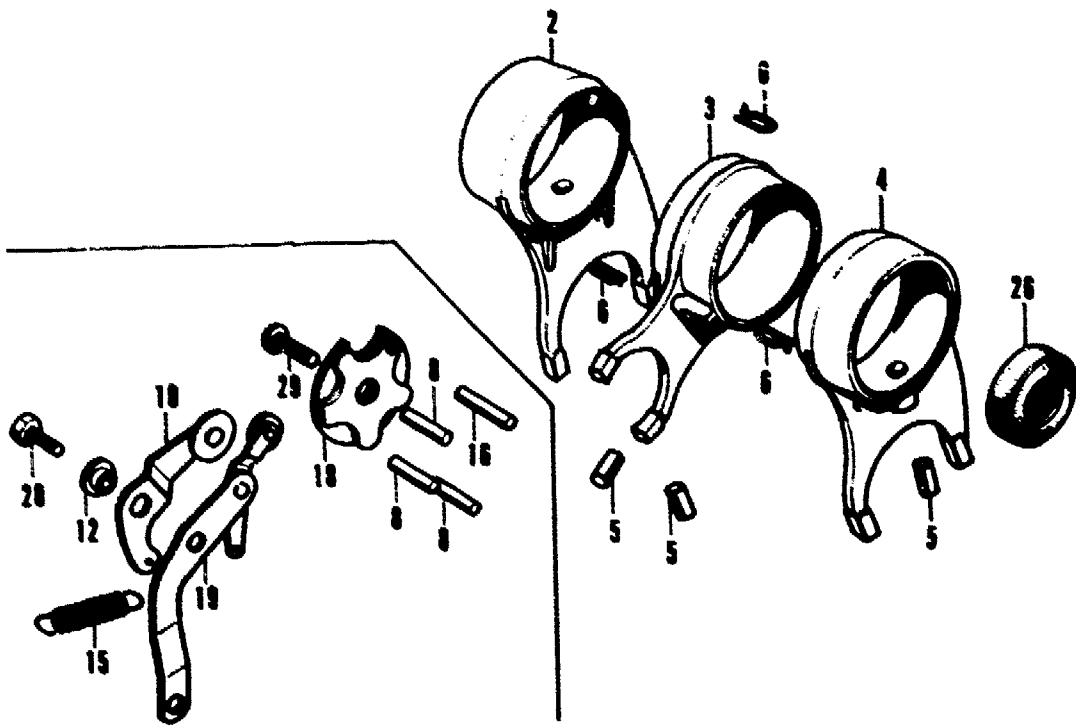
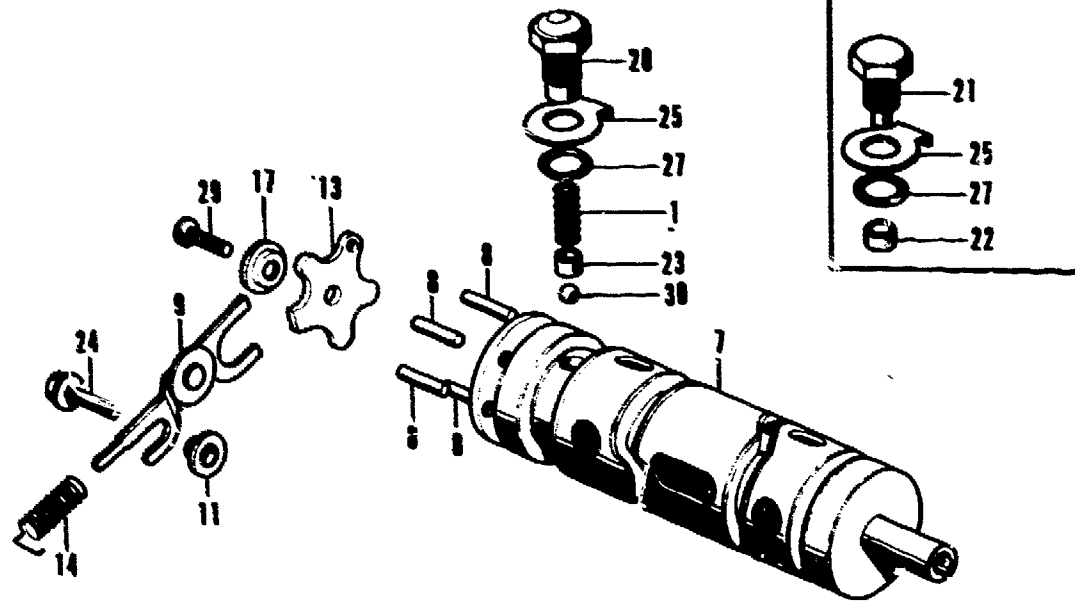
Ref. No.	Part No.	Description	Reqd. No.		Serial No.	Area code
			CB500	K1 K2		
1	24610-323-000	SPINDLE, GEARSHIFT	1	1 1		
2	24641-216-000	SPRING, GEARSHIFT ARM	1	1 1		
3	24651-286-000	SPRING, GEARSHIFT RETURN	1	1 1		
4	90015-286-000	PIN, RETURN SPRING	1	1 1		
5	91202-216-000	OIL SEAL, 14X24X5	1	1 1		



Courtesy of  Honda4Fun  
[www.hondafour.com](http://www.hondafour.com) [www.honda4fun.com](http://www.honda4fun.com)

**E-18 Gearshift fork - Drum**

**E-18 Gearshift fork - Drum**



Ref. No.	Part No.	Description	Reqd. No.		Serial No.	Area code
			CB500	K1 K2		
1	22421-040-000	SPRING, CLUTCH DAMPER	1		1018727	
2	24211-323-000	FORK, R. GEARSHIFT	1	1 1		
3	24212-286-030	FORK B, GEARSHIFT	1	1 1		
4	24213-323-000	FORK, L. GEARSHIFT	1	1 1		
5	24261-283-000	PIN, GEARSHIFT FORK GUIDE	3	3 3		
6	24263-286-000	CLIP, GEARSHIFT FORK GUIDE PIN	3	3 3		
7	24301-286-050	DRUM, GEARSHIFT	1	1 1		
8	24421-230-000	PIN, GEARSHIFT DRUM	4 3	3 3	1018728	1018727
9	24430-323-000	STOPPER, SHIFT DRUM	1			1018727
10	24430-323-020	STOPPER COMP., SHIFT DRUM	1	1 1	1018728	
11	24433-323-000	COLLAR, SHIFT DRUM STOPPER	1			1018727
12	24433-323-010	COLLAR, SHIFT DRUM STOPPER	1	1 1	1018728	
13	24434-286-02G	PLATE, DRUM STOPPER CAN	1			1018727
14	24435-323-000	SPRING, SHIFT DRUM STOPPER	1			1018727
15	24435-323-020	SPRING, SHIFT DRUM STOPPER	1	1 1	1018728	
16	24437-323-000	PIN B, GEARSHIFT DRUM	1	1 1	1018728	
17	24438-323-000	COLLAR, SHIFT DRUM STOPPER	1			1018727
18	24439-323-000	PLATE COMP., CAN	1	1 1	1018728	
19	24440-323-000	STOPPER, SHIFT DRUM	1	1 1	1018728	
20	24445-286-02G	SCREW, SHIFT DRUM GUIDE	1			1018727
21	24446-323-000	SCREW, SHIFT DRUM GUIDE	1	1 1	1018728	
22	24447-323-000	COLLAR, SCREW GUIDE	1	1 1	1018728	
23	24448-323-000	CAP, NEUTRAL STOPPER SPRING	1			1018727
24	90085-323-000	BOLT, SPECIAL, 6MM	1			1018727
25	90434-286-000	WASHER, LOCK, 12MM	1	1 1		
26	91201-292-003	GIL SEAL, 12X25X4.5	1	1 1		
27	91304-216-000	O-RING, 11.5X2	1	1 1		
28	92020-06020	BOLT, HEX., 6X20	1	1 1	1018728	
29	93600-06020	SCREW, FLAT, 6X20	1	1 1		
30	96211-10C00	BALL, STEEL, #10 (5/16)	1			1018727

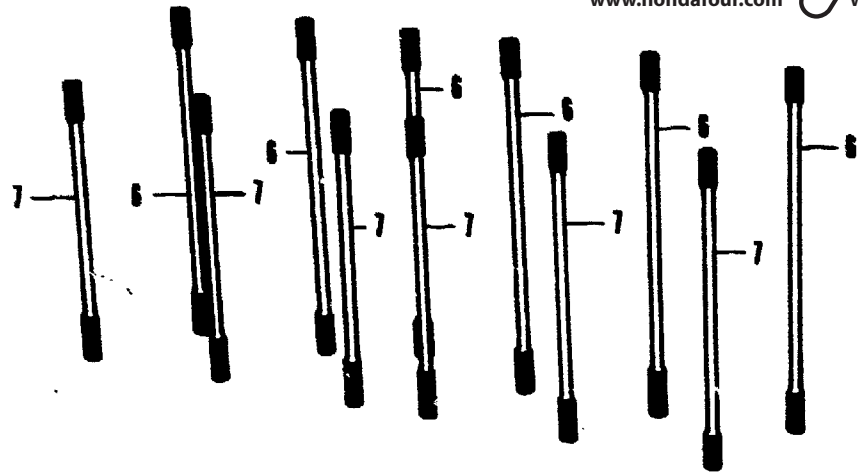


E-19 Crankcase

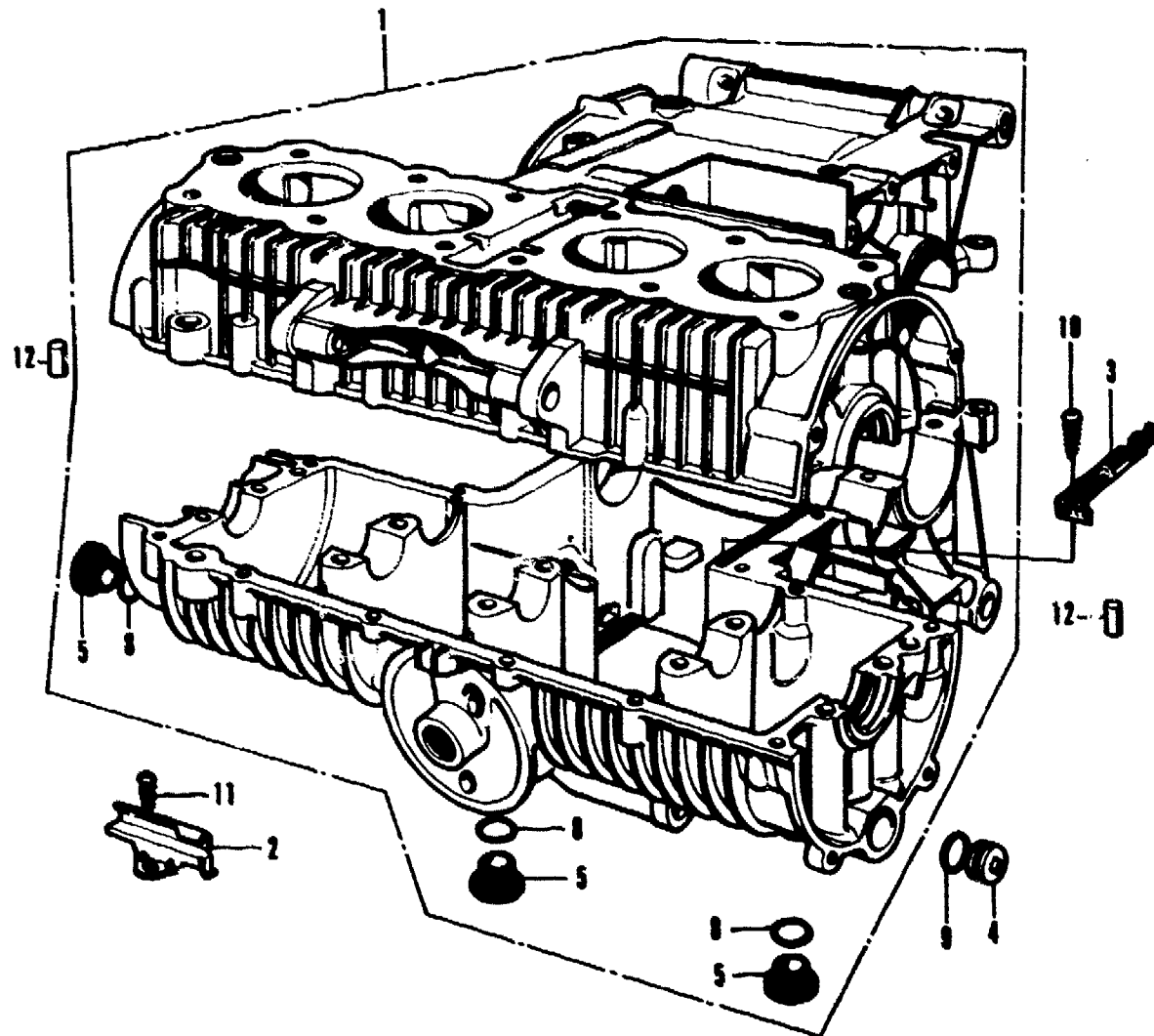


E-19 Crankcase

Courtesy of  Honda4Fun  
[www.hondafour.com](http://www.hondafour.com) [www.honda4fun.com](http://www.honda4fun.com)



Ref. No.	Part No.	Description	Reqd. No.		Serial No.	Area code
			CB50	K2		
1	11000-323-000	CRANKCASE SET	1	1		
2	11202-323-000	GUIDE A; OIL	1	1		
3	11203-323-000	GUIDE B; OIL	1		1000899	
	11203-323-010	GUIDE B; OIL	1	1	1000900	
4	11207-323-000	PLUG; OIL PATH	1	1		
5	15331-300-000	CAP; OIL PATH	3	3		
6	90033-323-000	BOLT A; CYLINDER STUD	6	6		
7	90034-323-000	BOLT B; CYLINDER STUD	6	6		
8	91315-044-000	O-RING; 19.4X2.8	3	3		
9	91319-300-000	O-RING; 13X2.5	1	1		
10	93901-25310	SCREW; TAPPING; 5X16	1	1		
11	93901-26110	SCREW; TAPPING; 6X12	1	1		
12	94302-10160	PIN B; DOWEL; 10X16	2	2		



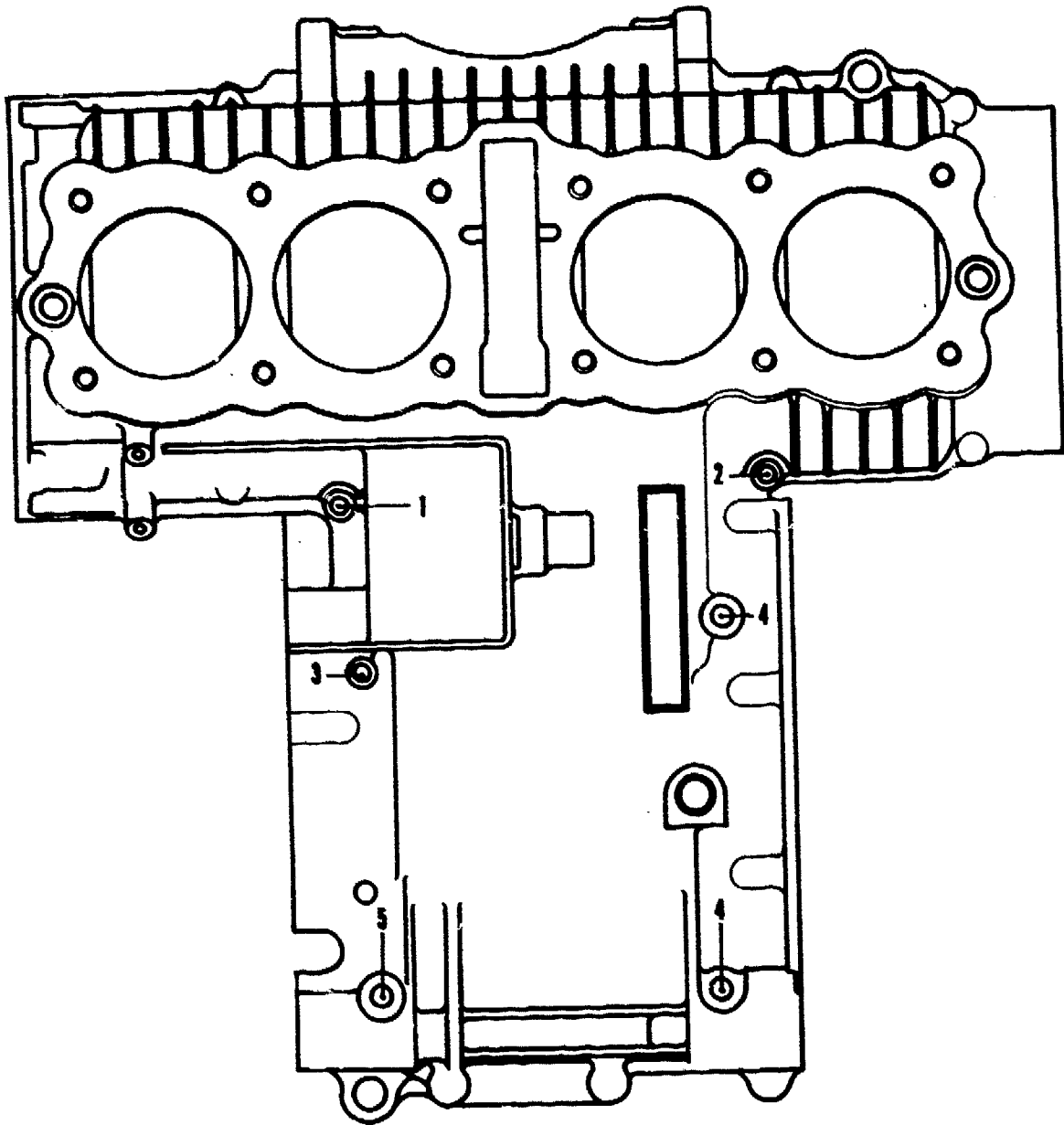
8323-19

Courtesy of  Honda4Fun  
[www.hondafour.com](http://www.hondafour.com) [www.honda4fun.com](http://www.honda4fun.com)

**E-20 Upper case (Bolt)**

**E-20 Upper case (Bolt)**

Ref. No.	Part No.	Description	Reqd. No.		Serial No.	Area code
			CB500	K1 K2		
1	95700-06032-00	BOLT; FLANGE; 6X32	1	1	1003155	1003154
2	95700-06050-00	BOLT; FLANGE; 6X50	1	1 1		
3	95700-06100-00	BOLT; FLANGE; 6X100	1	1 1		
4	95700-08100-00	BOLT; FLANGE; 8X100	2	2 2		
5	95700-08125-00	BOLT; FLANGE; 8X125	1			1003153
	90011-323-000	BOLT; FLANGE; 8X145	1	1 1	1003154	



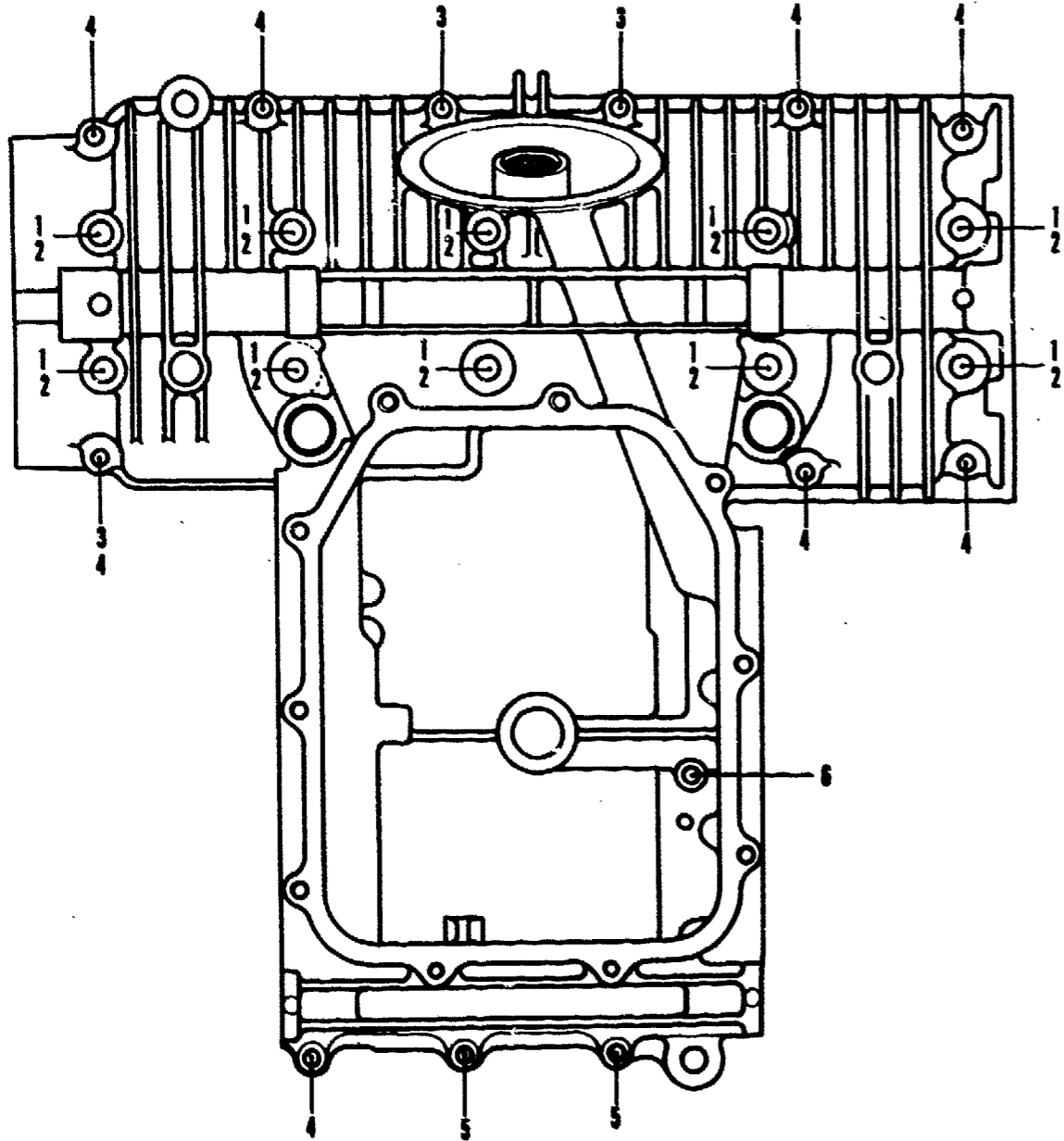
B323-20

## E-21 Lower case (Bolt, Washer)

## E-21 Lower case (Bolt, Washer)

Courtesy of  Honda4Fun  
[www.hondafour.com](http://www.hondafour.com) [www.honda4fun.com](http://www.honda4fun.com)

Ref. No.	Part No.	Description	Reqd. No.		Serial No.	Area code
			CB500	K1 K2		
1	9C084-323-000	BOLT, HEX., 8X100	10	10 10		
2	90485-035-000	WASHER, 14MM	10	10 10		
3	95700-06032-00	BOLT, FLANGE, 6X32	2		1003155	1003154
			3	3 3		
4	95700-06040-00	BOLT, FLANGE, 6X40	8		1003155	1003154
			7	7 7		
5	95700-06055-00	BOLT, FLANGE, 6X55	2	2 2		
6	95700-06105-00	BOLT, FLANGE, 6X105	1	1 1		



B323-21

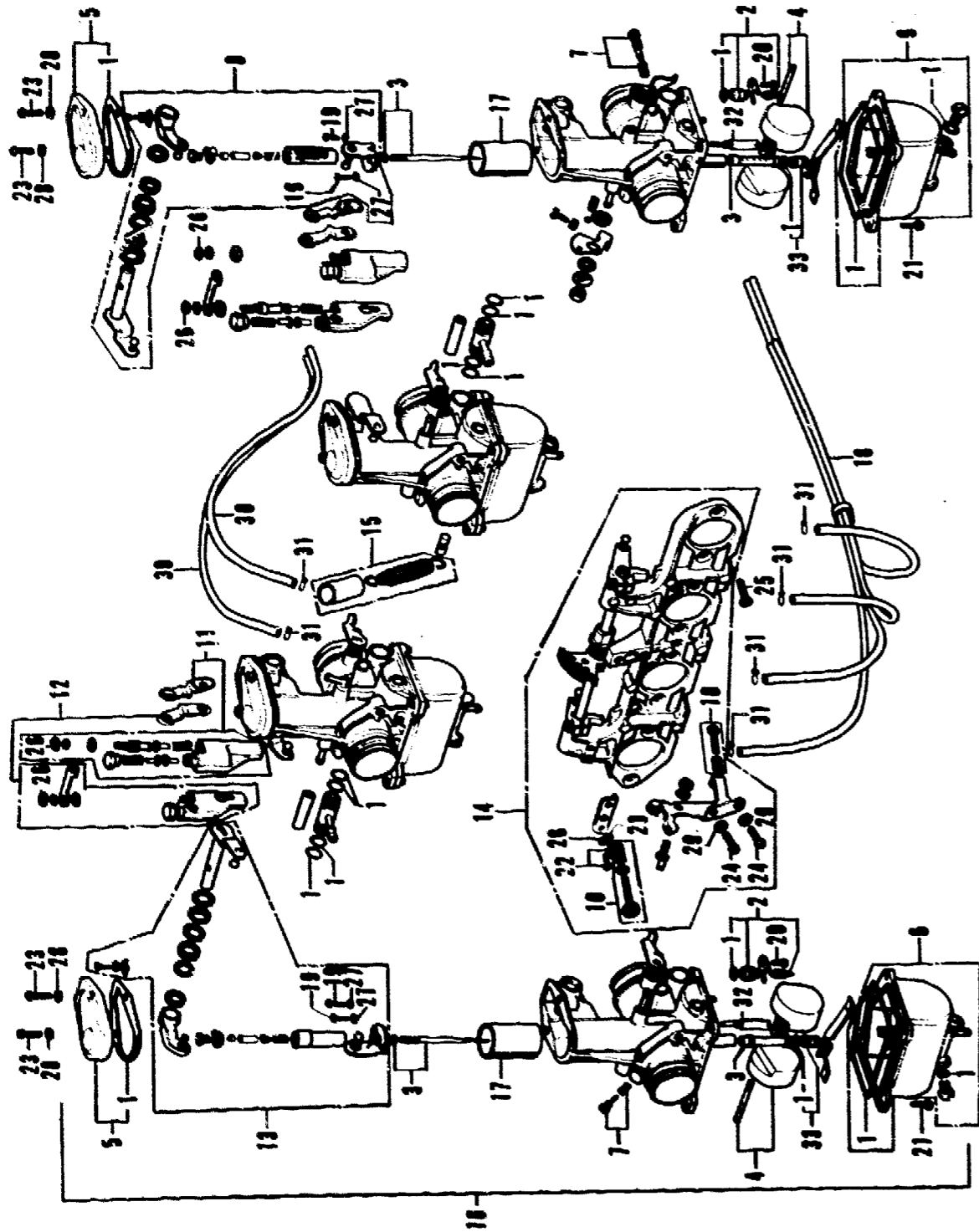
Courtesy of  Honda4Fun  
[www.hondafour.com](http://www.hondafour.com) [www.honda4fun.com](http://www.honda4fun.com)



## E-22 Carburetor

## E-22 Carburetor

Courtesy of  Honda4Fun  
www.hondafour.com www.honda4fun.com



Ref. No.	Part No.	Description	Reqd. No.		Serial No.	Area code
			CB500	K1 K2		
1	16010-323-004	GASKET SET	1	1	1	
2	16011-329-004	VALVE SET, FLOAT	1	1	1	
3	16012-323-004	NEEDLE SET, JET	1	1	1	
4	16013-329-004	FLOAT SET	1	1	1	
5	16014-323-004	TOP SET	1	1	1	
6	16015-323-004	CHAMBER SET A, FLOAT	1	1	1	
7	16016-323-004	SCREW SET A	1	1	1	
8	16018-323-004	ARM SET A, LINK	1	1	1	
9	16023-323-004	CHAMBER SET B, FLOAT	1	1	1	
10	16028-323-004	SCREW SET B	1	1	1	
11	16029-323-004	HOLDER SET A, ADJUST	1	1	1	
12	16030-323-004	HOLDER SET B, ADJUST	1	1	1	
13	16031-323-004	ARM SET B, LINK	1	1	1	
14	16035-323-004	PLATE SET, STAY	1	1	1	
15	16036-323-004	TUBE SET, PROTECT	1	1	1	
16	16100-323-004	CARBURETOR ASSY.	1	1	1	A, D, E, F, U
	16100-323-610	CARBURETOR ASSY.	1	1		ED, G, H
17	16111-323-004	VALVE, THROTTLE	4	4	4	
18	16290-323-000	TUBE ASSY., OVER FLOW	1	1	1	
19	93500-03010-0A	SCREW, PAN, 3X10	8	8	8	
20	93500-04010-0A	SCREW, PAN, 4X10	4	4	4	
21	93500-04012-0A	SCREW, PAN, 4X12	16	16	16	
22	93500-05012-0A	SCREW, PAN, 5X12	2	2	2	
23	93500-05016-0A	SCREW, PAN, 5X16	8	8	8	
24	93500-06012	SCREW, PAN, 6X12	2	2	2	
25	93600-06016	SCREW, FLAT, 6X16	8	8	8	
26	94001-05000-0S	NUT, HEX., 5MM	4	4	4	
27	94111-03000	WASHER, SPRING, 3MM	8	8	8	
28	94111-05000	WASHER, SPRING, 5MM	10	10	10	
29	94111-06000	WASHER, SPRING, 6MM	2	2	2	
30	95001-35330-40	TUBE, FUEL, 3.5X330	2	2	2	
31	95002-02070	CLIP B7, TUBE	6	6	6	
32	99124-076-0400	JET, SLOW, #40	1	1	1	
33	99202-601-0780	JET SET, MAIN (#78)	1	1		ED, G, H
	99202-601-1000	JET SET, SECONDARY MAIN (#100)	1	1	1	A, D, E, F, U

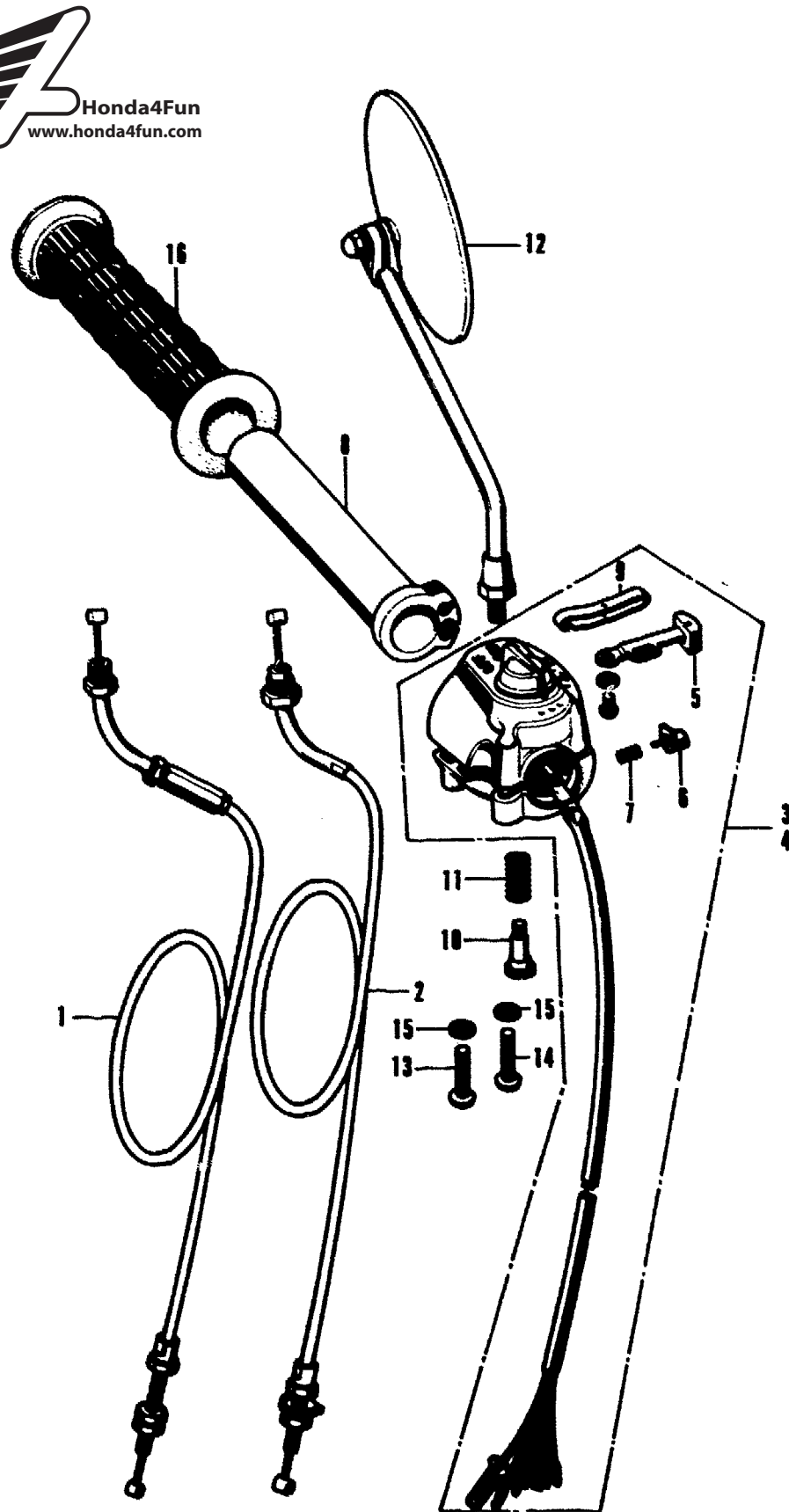
B374-7

Courtesy of  Honda4Fun  
www.hondafour.com www.honda4fun.com

## F-1 Right handle switch • Cable

## F-1 Right handle switch • Cable

Ref. No.	Part No.	Description	Reqd. No.		Serial No.	Area code
			CE500	K1 K2		
1	17910-330-040 17910-341-000	CABLE COMP. A; THROTTLE	1			A;D;U
	17910-323-620	CABLE COMP. A; THROTTLE	1	1		E;ED;F;G;H
	17910-341-000	CABLE COMP. A; THROTTLE	1	1		A;D
2	17920-323-000	CABLE COMP. B; THROTTLE	1	1	1	A;D;U
	17920-323-620	CABLE COMP. B; THROTTLE	1	1		E;ED;F;G;H
3	35300-300-621	SWITCH ASSY.; STARTER DIMMER KILL	1			D;E;F;G;U
4	35300-300-674	SWITCH ASSY.; STARTER LIGHTING DIMMER KILL	1	1		A
	35300-323-671	SWITCH ASSY.; STARTER DIMMER KILL	1	1		ED;H
	35300-300-730	SWITCH ASSY.; STARTER DIMMER KILL	1	1		D;E;F;G
	35300-323-671	SWITCH ASSY.; STARTER LIGHTING DIMMER KILL	1	1	1	A
5	35315-235-000	KNOB; LIGHTING SWITCH	1	1	1	
6	35317-001-310	BUTTON; HORN SWITCH PUSH	1	1	1	
7	35318-259-000	SPRING; HORN PUSH BUTTON	1	1	1	
8	53141-300-010	PIPE; THROTTLE GRIP	1	1	1	
9	53163-300-020	ADJUSTER; THROTTLE GRIP	1	1	1	
10	53190-300-000	BOLT; THROTTLE GRIP ADJUST	1	1	1	
11	53191-300-000	SPRING; THROTTLE ADJUST	1	1	1	
12	88110-304-621	MIRROR; R. BACK	(1)	(1)	1	F
	88110-323-004	MIRROR; R. BACK	1	1	1	A;D;U
	88110-323-610	MIRROR; R. BACK	1	1		E;ED;G;H
	88100-333-004	MIRROR; R. BACK			1	2107094
13	93500-05025-0A	SCREW; PAN; 5X25	1	1	1	
14	93500-05032-0A	SCREW; PAN; 5X32	1	1	1	
15	94111-05000	WASHER; SPRING; 5MM	2	2	2	
16	95011-14100	GRIP D; R. HANDLE	1			
	53165-342-670	RUBBER; R. GRIP	1	1		

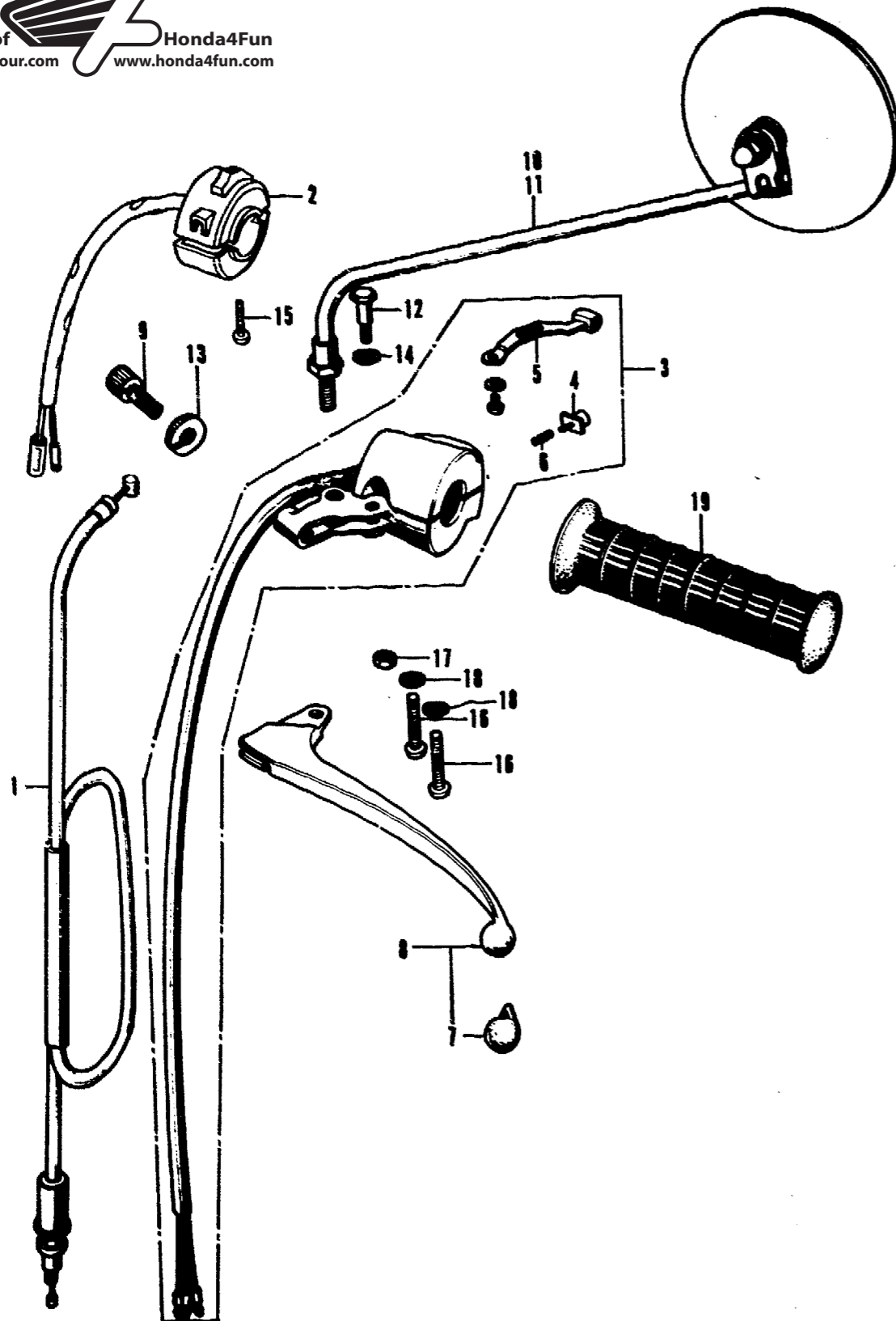


B323-41

**F-2 Left handle switch - Cable**

**F-2 Left handle switch - Cable**

Courtesy of  Honda4Fun  
www.hondafour.com www.honda4fun.com



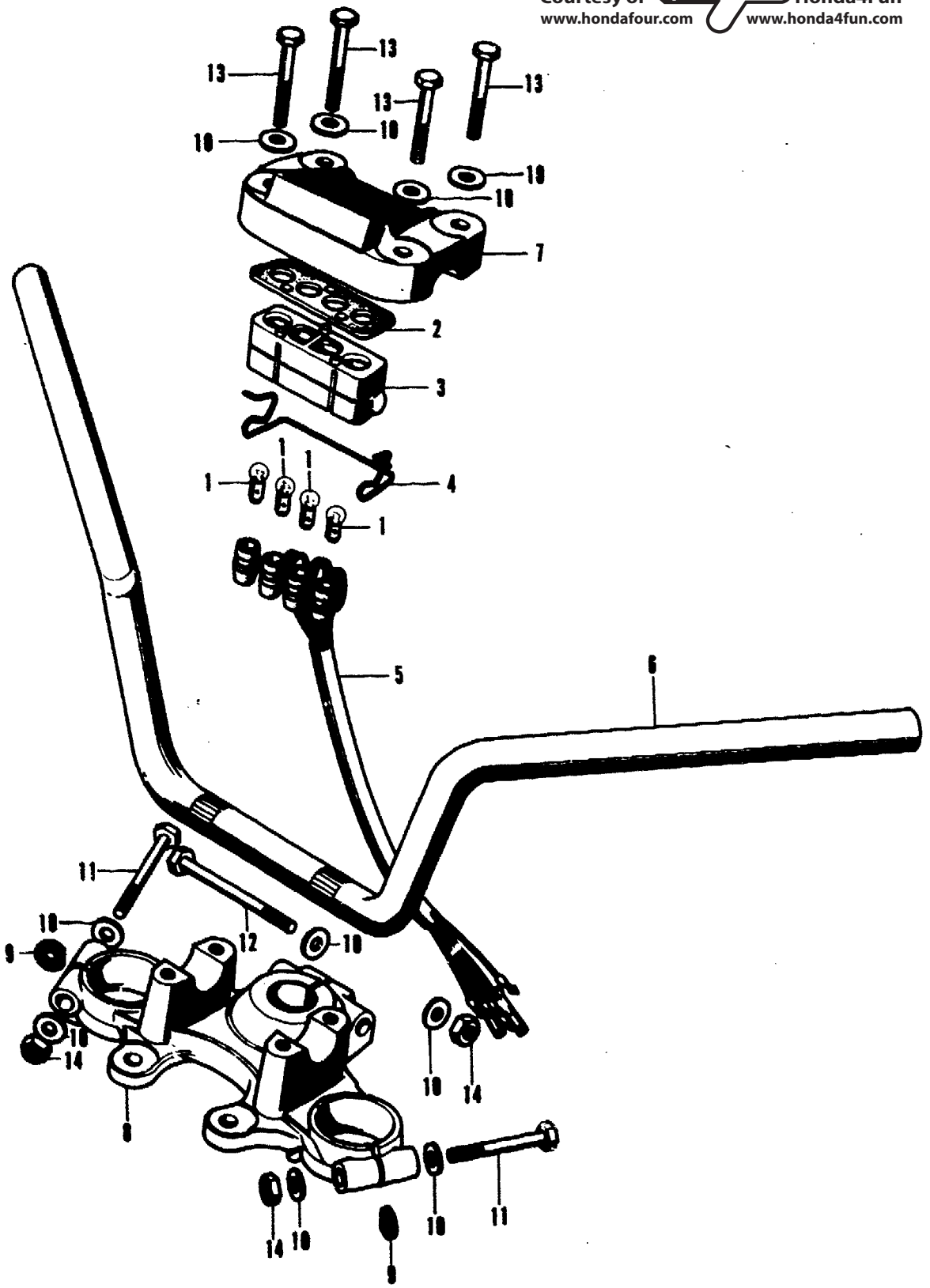
Ref. No.	Part No.	Description	Reqd. No.		Serial No.	Area code
			CB500	K1 K2		
1	22870-323-010	CABLE COMP., CLUTCH 22870-323-020	1			A,D,U
	22870-323-620	CABLE COMP., CLUTCH 22870-323-621	1			E,ED,F,G,H
	22870-323-020	CABLE COMP., CLUTCH	1	1		A,D
	22870-323-621	CABLE COMP., CLUTCH	1			E,ED,F,G
2	35150-300-730	SWITCH ASSY., LIGHTING	1	1		ED,H D,E,F,G
3	35250-300-033	SWITCH ASSY., WINKER HORN (TOYO)	1	1	1	A
	35250-323-013	SWITCH ASSY., WINKER, HORN, PASSING	1	1		D,E,ED,F,G,H,U
4	35317-001-310	BUTTON, HORN SWITCH PUSH	1	1	1	
5	35317-235-000	BUTTON, HORN SWITCH PUSH 35317-310-810	1			
	35317-310-810	KNOB, WINKER SWITCH	1	1		
6	35318-259-000	SPRING, HORN PUSH BUTTON	1	1	1	
7	53180-286-000	CAP, CONTROL LEVER	1	1	1	A,H,U D,E,ED,F,G D,E,ED,F,G
			1	1		2060428
8	53190-286-670	LEVER COMP., L. STEERING HANDLE	1	1	1	A,H,U
			1	1		D,E,ED,F,G D,E,ED,F,G
	53190-369-700	LEVER COMP., L. STEERING HANDLE	1			2060429
9	53192-312-000	BOLT, CLUTCH CABLE ADJUSTING	1	1	1	
10	88120-304-621	MIRROR, L. BACK	1	1		F
	88120-323-610	MIRROR, L. BACK	1	1		E,ED,G,H
	88120-323-671	MIRROR, L. BACK	1	1	1	A,D,U
						2107093
11	88120-333-004	MIRROR, L. BACK			1	2107093
12	90114-268-020	BOLT, HANDLE LEVER PIVOT	1	1	1	
13	90321-315-670	NUT, FIXING	1	1	1	
14	90501-310-000	WASHER, 7X12	1	1	1	
15	93500-04016-0A	SCREW, PAN, 4X16	1	1		ED,H D,E,F,G
16	93500-05025-0A	SCREW, PAN, 5X25	2	2	2	
17	94001-06000	NUT, HEX., 6MM	1	1	1	
18	94111-05000	WASHER, SPRING, 5MM	2	2	2	
19	95011-14200	GRIP D, L. HANDLE	1			
	53166-342-670	RUBBER, L. GRIP			1	1

# D 10

## F-3 Steering handle - Top bridge

## F-3 Steering handle - Top bridge

Courtesy of  Honda4Fun  
www.hondafour.com www.honda4fun.com



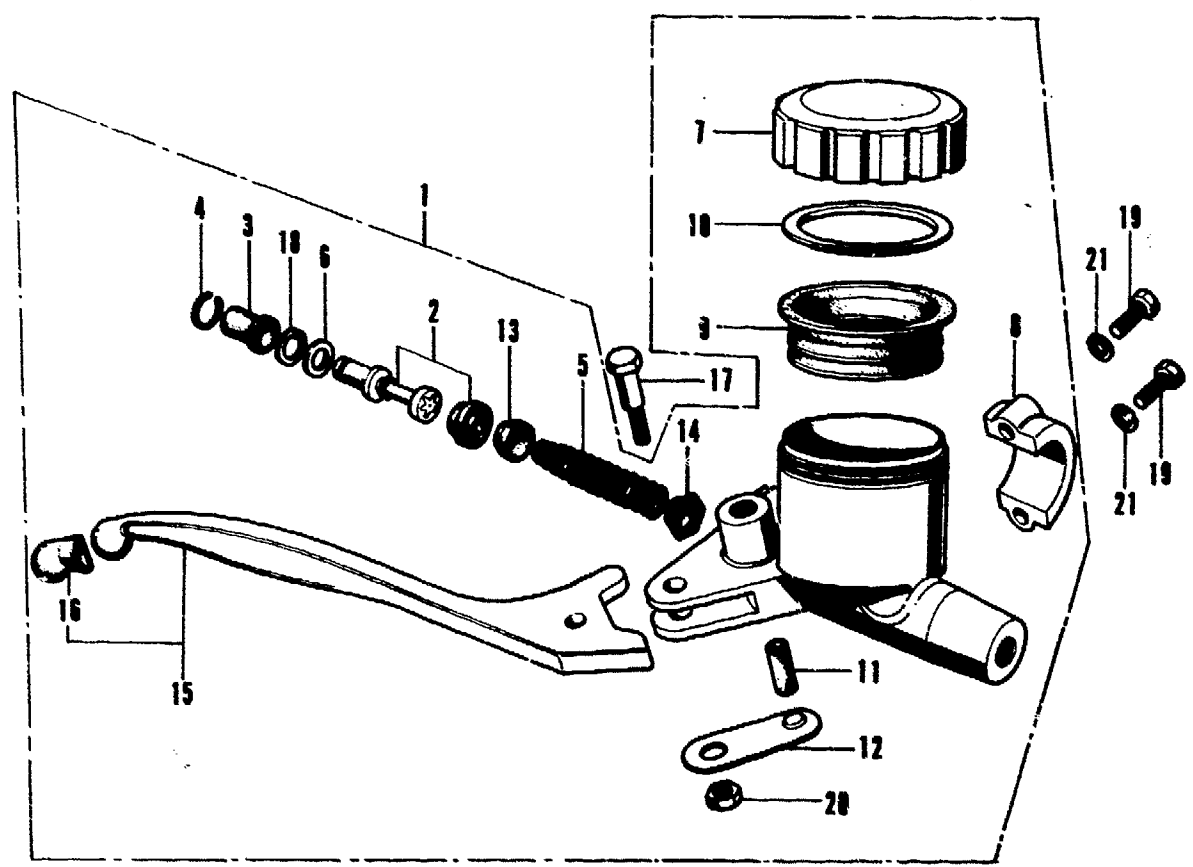
Ref. No.	Part No.	Description	Reqd. No.		Serial No.	Area code
			CB500	K1 K2		
1	34902-259-000	BULB, DASH (12V 3.4W)	4	4 4		
2	37576-323-000	BASE, LAMP SOCKET	1	1 1		
3	37577-323-000	SOCKET, PILOT LAMP	1			
	37577-341-000	SOCKET, PILOT LAMP	1	1 1		
4	37579-323-000	SPRING, LAMP SOCKET SET	1			
	37579-341-010	SPRING, LAMP SOCKET SET	1	1 1		
5	37581-323-000	CORD COMP., PILOT LAMP	1	1 1		
6	53100-323-000	PIPE, STEERING HANDLE	1	1 1		A,D,U
	53100-323-620	PIPE, STEERING HANDLE	1	1		E,ED,F,G,H
7	53133-323-000	HOLDER, UPPER	1			
	53133-323-010	HOLDER, UPPER	1	1 1		
8	53230-323-010	BRIDGE, FORK TOP	1	1 1		
9	53235-300-000	SPACER, FORK TOP BRIDGE	2	2 2		
10	90555-283-000	WASHER, SPECIAL, 8MM	10	10		
	90518-921-000	WASHER, PLAIN, 8MM	10	10 10		
11	93000-08056-05	BOLT, HEX., 8X56	2	2 2		
12	93000-08074-08	BOLT, HEX., 8X74	1	1 1		
13	93100-08040-08	BOLT, HEX., 8X40	4	4 4		
14	94001-08020-05	NUT, HEX., 8MM	3	3 3		

B323-44

Courtesy of  Honda4Fun  
www.hondafour.com www.honda4fun.com

## F-4 Front brake master cylinder

## F-4 Front brake master cylinder

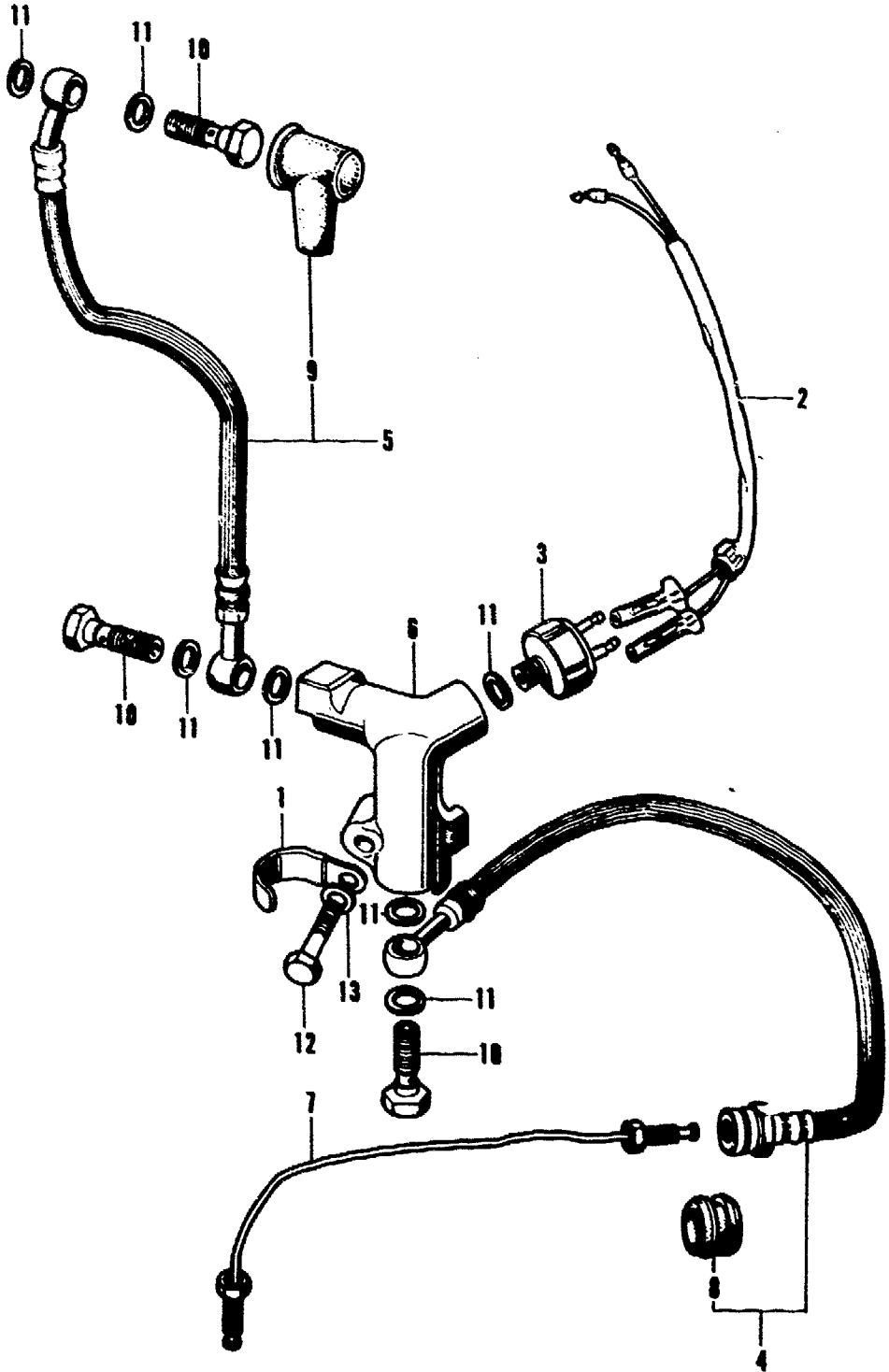


Ref. No.	Part No.	Description	Reqd. No.		Serial No.	Area code
			CB500	K1 K2		
1	45500-300-050	CYLINDER ASSY., MASTER 45500-341-010	1			A,D,E,ED,G,H,U
	45500-300-623	CYLINDER ASSY., MASTER 45500-341-620	1			ED,F
	45500-341-671	CYLINDER ASSY., MASTER		1		D,E,G
	45500-341-770	CYLINDER ASSY., MASTER		1 1		A
	45500-341-620	CYLINDER ASSY., MASTER		1		ED,F
2	45502-300-305	PISTON SET	1	1 1		
3	45504-300-003	BOOT	1	1 1		
4	45505-300-003	STOPPER, BOOT	1	1 1		
5	45506-300-003	SPRING COMP.	1	1 1		
6	45512-300-003	WASHER, 10.5MM	1	1 1		
7	45513-300-020	CAP, OIL CUP	1			
	45513-341-671	CAP, OIL CUP		1		D,E,ED,F,G
	45513-341-770	CAP, OIL CUP		1 1		A
8	45517-300-003	HOLDER, MASTER CYLINDER	1	1 1		
9	45520-300-000	DIAPHRAGM	1	1 1		
10	45521-300-010	PLATE, DIAPHRAGM	1	1 1		
11	45526-300-000	BUSH, R. HANDLE LEVER 45526-341-000	1			
	45526-341-000	BUSH, R. HANDLE LEVER		1 1		
12	45527-300-000	PLATE, LEVER BUSH SETTING	1	1 1		
13	46125-533-003	CUP, PRIMARY	1	1 1		
14	46140-533-003	VALVE, CHECK	1	1 1		
15	53170-300-000	LEVER COMP., R. STEERING HANDLE	1	1		
	53170-369-003	LEVER COMP., R. STEERING HANDLE (TOYO)		1	2060428	
16	53180-286-000	CAP, CONTROL LEVER	1	1 1		2060428
17	90114-300-000	BOLT, HANDLE LEVER PIVOT	1	1 1		
18	90651-377-003	CIR CLIP, INTERNAL, 18MM	1	1 1		
19	93000-06025-02	BOLT, HEX., 6X25	2	2 2		
20	94002-06000	NUT, HEX., 6MM	1	1 1		
21	94111-06000	WASHER, SPRING, 6MM	2	2 2		

## F-5 Front brake hose

## F-5 Front brake hose

Courtesy of Honda4Fun  
[www.hondafour.com](http://www.hondafour.com) [www.honda4fun.com](http://www.honda4fun.com)



Ref. No.	Part No.	Description	Reqd. No.		Serial No.	Area code
			CB500	K1 K2		
1	32111-323-000	CLAMPER, CORD	1	1 1		
2	35345-319-000	SUB CORD, FR. STOP SWITCH	1	1 1		
3	35350-300-006	SWITCH ASSY., STOP	1		1015452	
	35350-300-016	SWITCH, STOP (NAILS)	1	1 1	1015453	
4	45125-300-020	HOSE A, FR. BRAKE	1	1 1		A>H>U D>E>ED>F>G D>E>ED>F>G
	45125-300-003	HOSE ASSY. A, FR. BRAKE (NICHIRIN)	1	1	2068442	D>E>ED>F>G
5	45126-300-030	HOSE B, FR. BRAKE	1	1 1		A>U D
	45126-323-620	HOSE B, FR. BRAKE	1	1	2068442	E>ED>F>G>H E>ED>F>G
	45126-300-003	HOSE B ASSY., FR. BRAKE	1		2068443	D
	45126-323-621	HOSE ASSY., B. FR. BRAKE (NICHIRIN)	1		2068443	E>ED>F>G
6	45127-323-000	JOINT, THREE WAY	1	1 1		
7	45128-323-020	PIPE, FR. BRAKE	1	1 1		
8	45146-300-000	GROMMET, BRAKE HOSE	1	1 1		
9	45522-300-010	BOOT, MASTER CYLINDER	1	1 1		
10	90145-300-000	BOLT, OIL	3	3 3		
11	90545-300-000	WASHER, OIL BOLT	7	7 7		
12	92000-06028	BOLT, HEX., 6X28	1	1 1		
13	94111-06000	WASHER, SPRING, 6MM	1	1 1		

8323-46

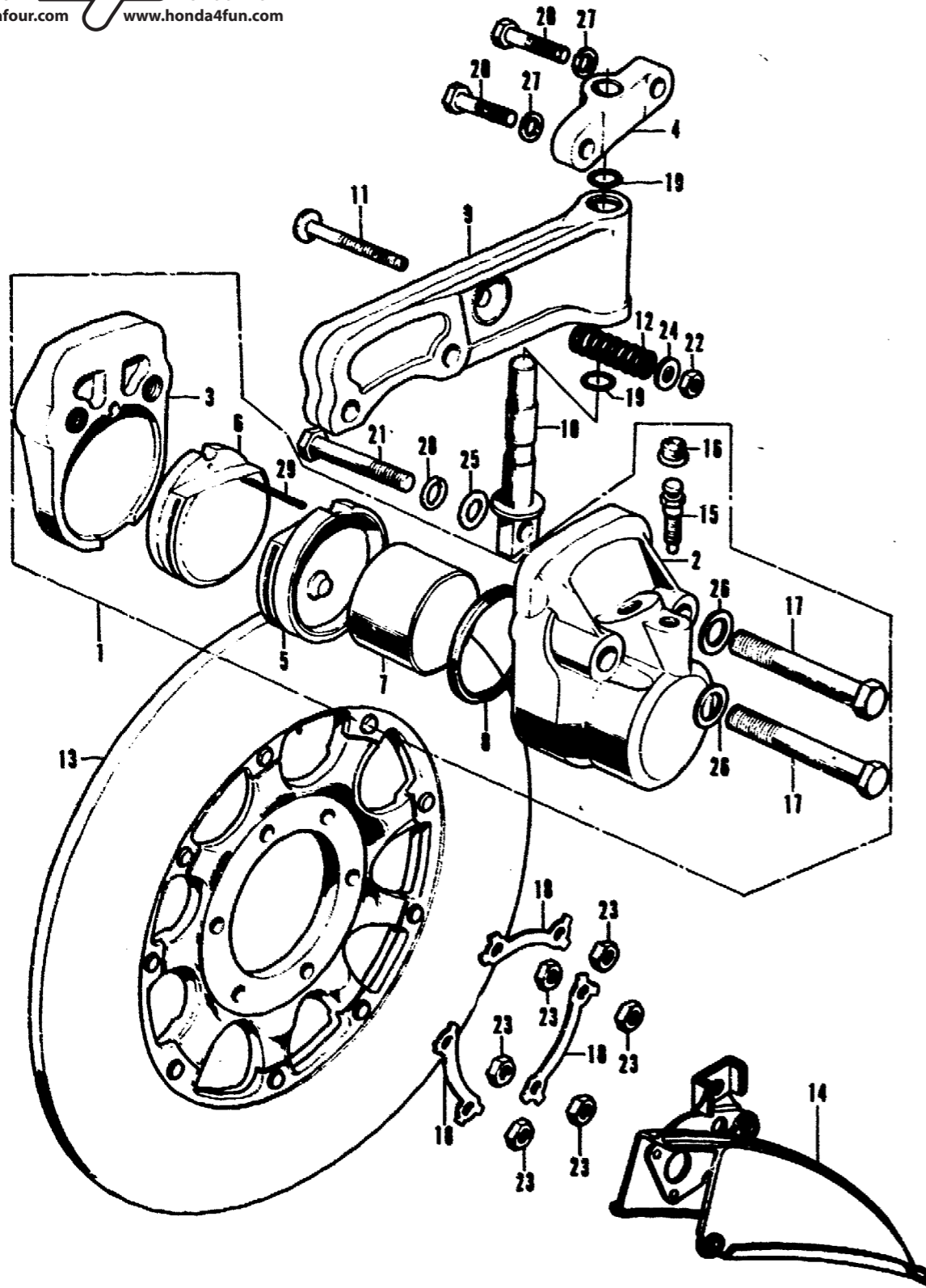
Courtesy of Honda4Fun  
[www.hondafour.com](http://www.hondafour.com) [www.honda4fun.com](http://www.honda4fun.com)

# D 13

## F-6 Front brake caliper - Disk

## F-6 Front brake caliper - Disk

Courtesy of  Honda4Fun  
www.hondafour.com www.honda4fun.com



B323-28A

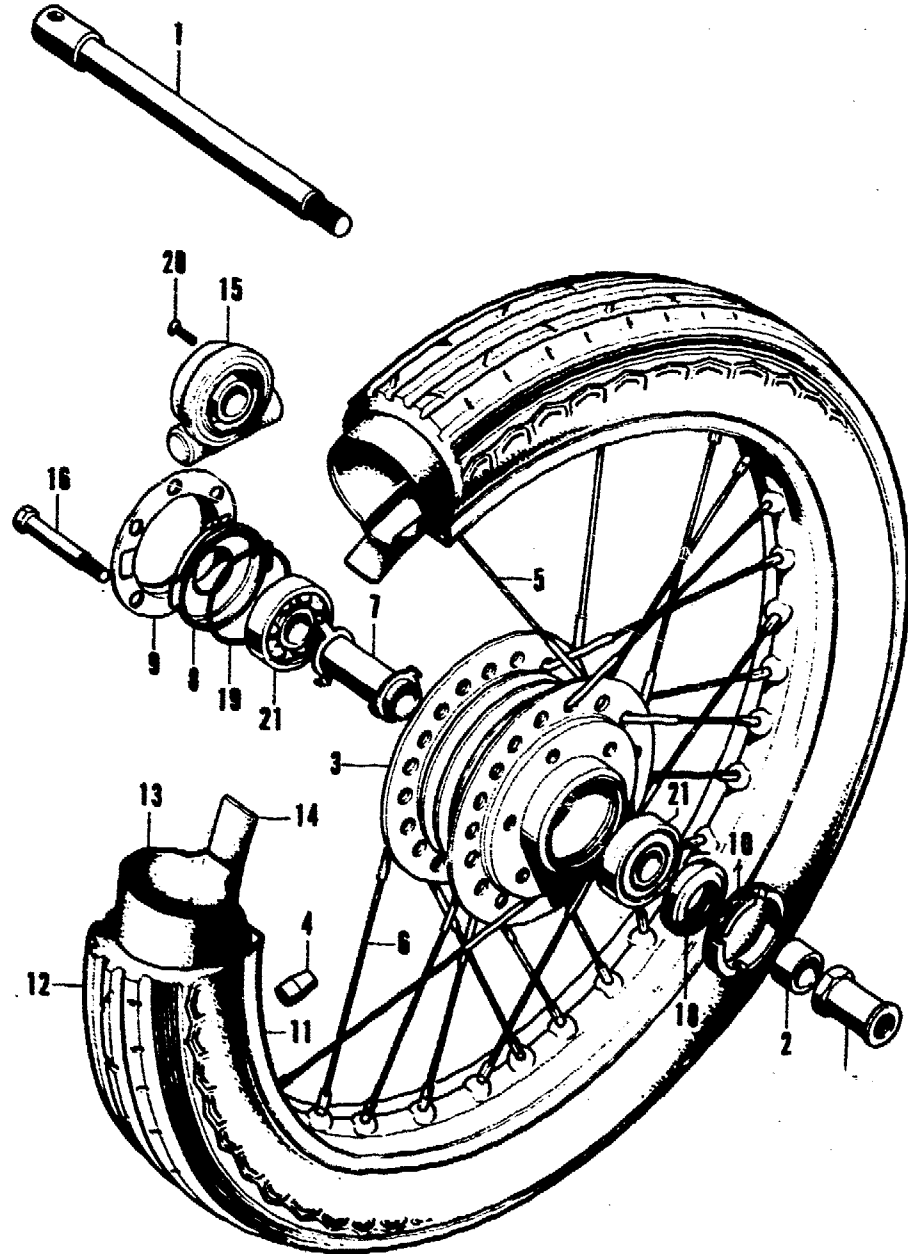
Ref. No.	Part No.	Description	Reqd. No.		Serial No.	Area code
			CB500	K1 K2		
1	45100-323-023	CALIPER ASSY. (TOKIKO) 45100-323-043	1			
	45100-323-043	CALIPER ASSY. (TOKIKO) 45100-323-053	1		2057735	
	45100-323-053	CALIPER ASSY.	1		2057736	
2	45101-323-013	CALIPER A (TOKIKO)	1	1		
3	45102-323-003	CALIPER B (TOKIKO)	1	1		
4	45104-323-010	JOINT, CALIPER HOLDER 45104-317-700	1			
	45104-317-700	JOINT, CALIPER HOLDER	1	1		
5	45105-323-016	PAD COMP. A (ASAHI) 45105-323-023	1			
	45105-323-023	PAD COMP. A 45105-323-043	1			
	45105-323-043	PAD COMP. A (TOKIKO) 45105-323-036	1		2057735	
	45105-323-036	PAD COMP. A	1	1	2057736	
6	45106-323-006	PAD COMP. B	1	1		
	45106-323-013	PAD COMP. B (TOKIKO) 45106-323-006	1		2057735	
	45106-323-006	PAD COMP. B	1		2057736	
7	45107-323-020	PISTON COMP.	1	1		
8	45108-300-003	SEAL, PISTON	1	1		
9	45115-323-010	HOLDER, CALIPER	1	1		
10	45116-323-010	PIN, CALIPER HOLDER 45116-323-020	1		2034711	
	45116-323-020	PIN, CALIPER HOLDER	1	1	2034712	
11	45117-300-020	BOLT, CALIPER ADJUSTING	1	1		
12	45119-300-020	SPRING, CALIPER ADJUSTING	1	1		
13	45120-323-020	DISK COMP., FR. BRAKE	1	1		
14	45140-323-670	COVER COMP., DISK	1			
15	45224-579-013	VALVE, BLEEDER	1	1		
16	45225-579-013	CAP, BLEED SCREW	1	1		
17	90165-323-000	BOLT, CALIPER SETTING	2	2		
18	90522-300-010	WASHER, TONGUED, 8MM	3	3		
19	91259-300-000	O-RING, 10X1.7	2	2		
20	92200-06025	BOLT, HEX., 6X25	2	2		
21	92200-08035-0A	BOLT, HEX., 8X35	1	1		
22	94001-06000	NUT, HEX., 6MM	1	1		
23	94001-08000-0S	NUT, HEX., 8MM	6	6		
24	94101-06000	WASHER, PLAIN, 6MM	1	1		
25	94101-08000	WASHER, PLAIN, 8MM	1	1		
26	94102-10000	WASHER, PLAIN, 10MM	2	2		
27	94111-06000	WASHER, SPRING, 6MM	2	2		
28	94111-08000	WASHER, SPRING, 8MM	1	1		
29	94201-16220	PIN, SPLIT, 1.6X22	1	1		

Courtesy of  Honda4Fun  
www.hondafour.com www.honda4fun.com

## F-7 Front wheel

## F-7 Front wheel

Courtesy of Honda4Fun  
www.hondafour.com www.honda4fun.com



Ref. No.	Part No.	Description	Reqd. No.		Serial No.	Area code
			CB500	K1 K2		
1	44301-300-000	AXLE, FR. WHEEL	1	1 1		
2	44311-300-000	COLLAR, FR. WHEEL SIDE	1	1 1		
3	44601-300-040	HUB, FR. WHEEL	1	1 1		
4	44606-283-000	BALANCER (20G)	N	N N		
	44607-283-000	BALANCER (15G)	N	N N		
	44608-283-000	BALANCER (10G)	N	N N		
	44609-283-000	BALANCER (5G)	N	N N		
5	44606-300-003	SPOKE A, FR. (DAIDO)	20	20 20		
6	44607-300-003	SPOKE B, FR. (DAIDO)	20	20 20		
7	44620-300-020	COLLAR, FR. AXLE DISTANCE	1	1 1		
8	44641-300-020	RETAINER, GEAR BOX	1			
	44641-341-000	RETAINER, GEAR BOX		1 1		
9	44642-300-020	COVER, GEAR BOX RETAINER	1	1 1		
10	44643-300-000	RETAINER, FR. WHEEL BEARING	1	1 1		
11	44701-300-013	RIM, FR. WHEEL (19 DAIDO)	1	1 1		
12	44711-300-003	TIRE, FR. WHEEL (3.25-19) (BS)	1		1012111	
	44711-300-013	TIRE, FR. WHEEL (3.25-19 BS)	1		1012112	2065945 D,E,ED,F,G
				1		A
	44711-375-003	TIRE, FR. WHEEL (3.25S-19 BS)	1		2065946	D,E,ED,F,G
13	44712-300-000	TUBE, FR. WHEEL (3.25-19)	1	1		A,H,U
				1		D,E,ED,F,G
				1	2068895	D,E,ED,F,G
	44712-300-003	TUBE, TIRE (3.25/3.50-19 BS)	1		2068896	D,E,ED,F,G
14	44713-300-000	FLAP, TIRE (19)	1	1		A,H,U
				1		D,E,ED,F,G
				1	2068895	D,E,ED,F,G
	44713-300-003	FLAP, TIRE (19 BS)	1		2068896	D,E,ED,F,G
15	44800-323-000	BOX ASSY., SPEEDOMETER GEAR	1	1 1		
16	90122-300-020	BOLT, 8X102	6	6 6		
17	90305-300-000	NUT, FR. AXLE	1	1 1		
18	91252-300-003	DUST SEAL, 22X36X8	1	1 1		
19	91302-300-000	O-RING, 58X2	1	1 1		
20	93700-05015-0A	SCREW, OVAL, 5X15	1	1 1		
21	96140-63020	BEARING, RADIAL BALL, 6302U	2	2 2		

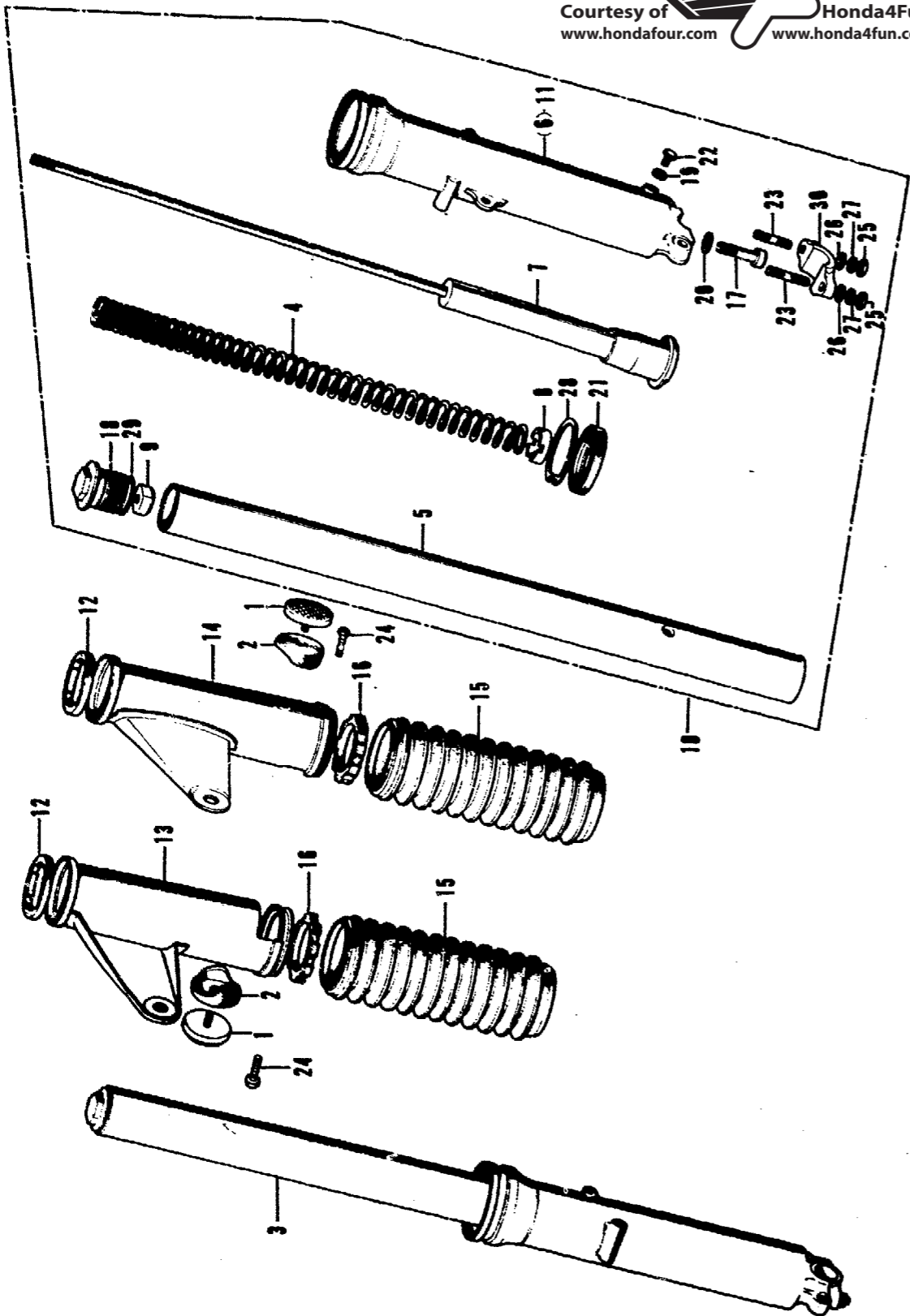


F-8 Front cushion

D 15

F-8 Front cushion

Courtesy of  Honda4Fun  
www.hondafour.com www.honda4fun.com



Ref. No.	Part No.	Description	Reqd. No.		Serial No.	Area code
			CB500	K1 K2		
1	33741-286-570	REFLECTOR, FR. REFLEX	2			
	33741-340-670	REFLECTOR, FR. REFLEX	2	2	2049708	F A,D,E,ED,G
2	33743-286-670	BASE, FR. REFLEX REFLECTOR	2			
	33743-341-670	BASE, FR. REFLEX REFLECTOR	2	2	2049708	F A,D,E,ED,G
3	51400-323-305	FORK ASSY., R. FR.	1			
	51400-323-315	FORK ASSY., R. FR.	1	1		
4	51401-323-010	SPRING, FR. CUSHION	2	2		
5	51410-323-010	PIPE, FR. FORK	2	2		
6	51421-323-010	CASE, R. FR. FORK BOTTOM	1	1		
7	51430-323-010	DAMPER COMP.	2			
	51430-323-020	DAMPER COMP.		2		
8	51461-323-010	SEAT, CUSHION SPRING	2	2		
9	51462-323-000	NUT, LOCK, 8MM	2	2		
10	51500-323-305	FORK ASSY., L. FR.	1			
	51500-323-315	FORK ASSY., L. FR.	1	1		
11	51521-323-010	CASE, L. FR. FORK BOTTOM	1	1		
12	51601-323-000	CUSHION, FR. FORK UPPER COVER	2	2		
13	51602-323-010XW	COVER, R. FR. FORK UPPER	1			
	51602-323-020XW	COVER, R. FR. FORK UPPER		1		
	51602-323-671XW	COVER, R. FR. FORK UPPER			1	
14	51606-323-010XW	COVER, L. FR. FORK UPPER	1			
	51606-323-020XW	COVER, L. FR. FORK UPPER		1		
	51606-323-671XW	COVER, L. FR. FORK UPPER			1	
15	51611-300-000	BOOT, FR. FORK	2	2		
16	51622-323-000	CUSHION B, FR. FORK COVER	2	2		
17	90116-283-010	BOLT, SOCKET, 8MM	2	2		
18	90123-323-010	BOLT, FR. FORK	2	2		
19	90543-273-000	PACKING, FR. FORK DRAIN COCK	2	2		
20	90544-283-000	WASHER, SPECIAL, 8MM	2	2		
21	91255-323-013	OIL-SEAL, 35X48X11	2	2		
22	92000-06010	BOLT, HEX., 6X10	2	2		
23	92700-08050-30	BOLT, STUD, 8X50	4	4		
24	93500-06006-02	SCREW, PAN, 6X6	2		2049709	F
25	94030-08000	NUT, HEX., 8MM	4	4		
26	94101-08000	WASHER, PLAIN, 8MM	4	4		
27	94111-08000	WASHER, SPRING, 8MM	4	4		
28	94521-48000	CIR CLIP, INTERNAL, 48	2	2		
29	94608-50000	O-RING, 23X2.8	2	2		
30	95014-41000	HOLDER 1C, FR. FORK AXLE	2	2		

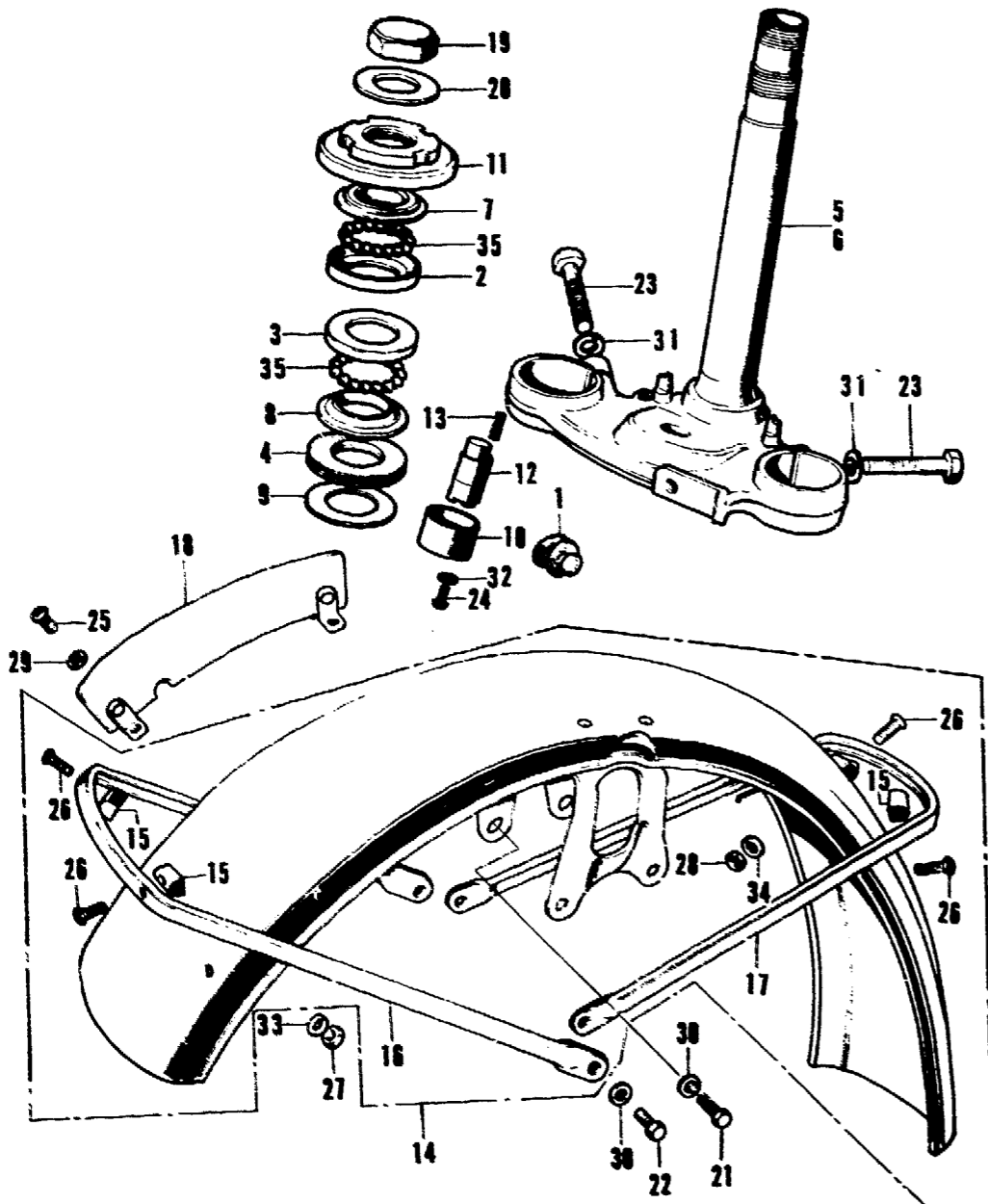
B323-49

Courtesy of  Honda4Fun  
www.hondafour.com www.honda4fun.com

## F-9 Steering stem - Front fender

## F-9 Steering stem - Front fender

Courtesy of  Honda4Fun  
www.hondafour.com www.honda4fun.com



Ref. No.	Part No.	Description	Reqd. No.		Serial No.	Area code
			CB500	K1 K2		
1	45451-283-000	GROMMET, WIRE	1	1 1		
2	50301-268-305	RACE, STEERING TOP BALL	1	1 1		
3	50302-268-305	RACE, STEERING BOTTOM BALL	1	1 1		
4	53124-250-000	DUST SEAL, STEERING HEAD	1	1 1		
5	53200-323-010B	STEM COMP., STEERING 53020-323-305B	1		1041205	A>D>E>F>U
	53200-323-020B	STEM COMP., STEERING	1	1 1	1041206	A>D>E>F>U A>D>E>F
6	53200-323-610B	STEM COMP., STEERING 53200-323-611B	1		1041205	ED>G>H
	53200-323-611B	STEM COMP., STEERING	1	1 1	1041206	ED>G>H ED>G
7	53211-268-305	RACE, STEERING TOP CONE	1	1 1		
8	53212-250-305	RACE, STEERING BOTTOM CONE	1	1 1		
9	53215-250-000	WASHER, STEERING HEAD DUST SEAL	1	1 1		
10	53215-317-000	COVER COMP., HANDLE LOCK CASE	1	1 1		A>D>E>F>U
11	53220-286-000	THREAD COMP., STEERING HEAD TOP	1	1 1		
12	53600-230-000	LOCK COMP., STEERING HANDLE (TOYO)	1	1 1		A>D>E>F>U
13	53631-268-020	SPRING, HANDLE LOCK	1	1 1		A>D>E>F>U
14	61100-323-030XM	FENDER COMP., FR.	1	1 1		A>D>ED>F>G>H>U
	61100-323-600XM	FENDER COMP., FR.	1	1		E
15	61102-300-000	PIECE, FENDER SETTING	4	4 4		
16	61111-323-000	STAY A, FR., FENDER	1	1 1		
17	61112-323-000	STAY B, FR., FENDER	1	1 1		
18	61131-283-600B	PLATE, FR. NUMBER	1	1		E
19	90304-323-670	NUT, STEERING STEM	1	1 1		
20	90503-283-000	WASHER, STEERING STEM	1	1 1		
21	92000-06016	BOLT, HEX., 6X16	2	2 2		
22	92000-06020	BOLT, HEX., 6X20	4	4 4		
23	92000-10035-0A	BOLT, HEX., 10X35	2	2 2		
24	93500-03008-0A	SCREW, PAN, 3X8	1	1 1		A>D>E>F>U
25	93500-04012-0B	SCREW, PAN, 4X12	4	4		E
26	93700-05020-02	SCREW, OVAL, 5X20	4	4 4		
27	94001-04000-0S	NUT, HEX., 4MM	4	4		E
28	94001-05000	NUT, HEX., 5MM	4	4 4		
29	94101-04000	WASHER, PLAIN, 4MM	4	4		E
30	94101-06000	WASHER, PLAIN, 6MM	6	6 6		
31	94101-10000	WASHER, PLAIN, 10MM	2	2	2034711	
	94102-10000	WASHER, PLAIN, 10MM	2		2034712	
				2		
32	94111-03000	WASHER, SPRING, 3MM	1	1	2034711	A>D>E>F>U A>D>E>F
	94101-03000	WASHER, PLAIN, 3MM	1	1	2034712	A>D>E>F
33	94111-04000	WASHER, SPRING, 4MM	4	4		
34	94111-05000	WASHER, SPRING, 5MM	4	4 4		
35	96211-08000	BALL, STEEL, #8 (1/4)	37	37 37		

B323-50  
B323-51

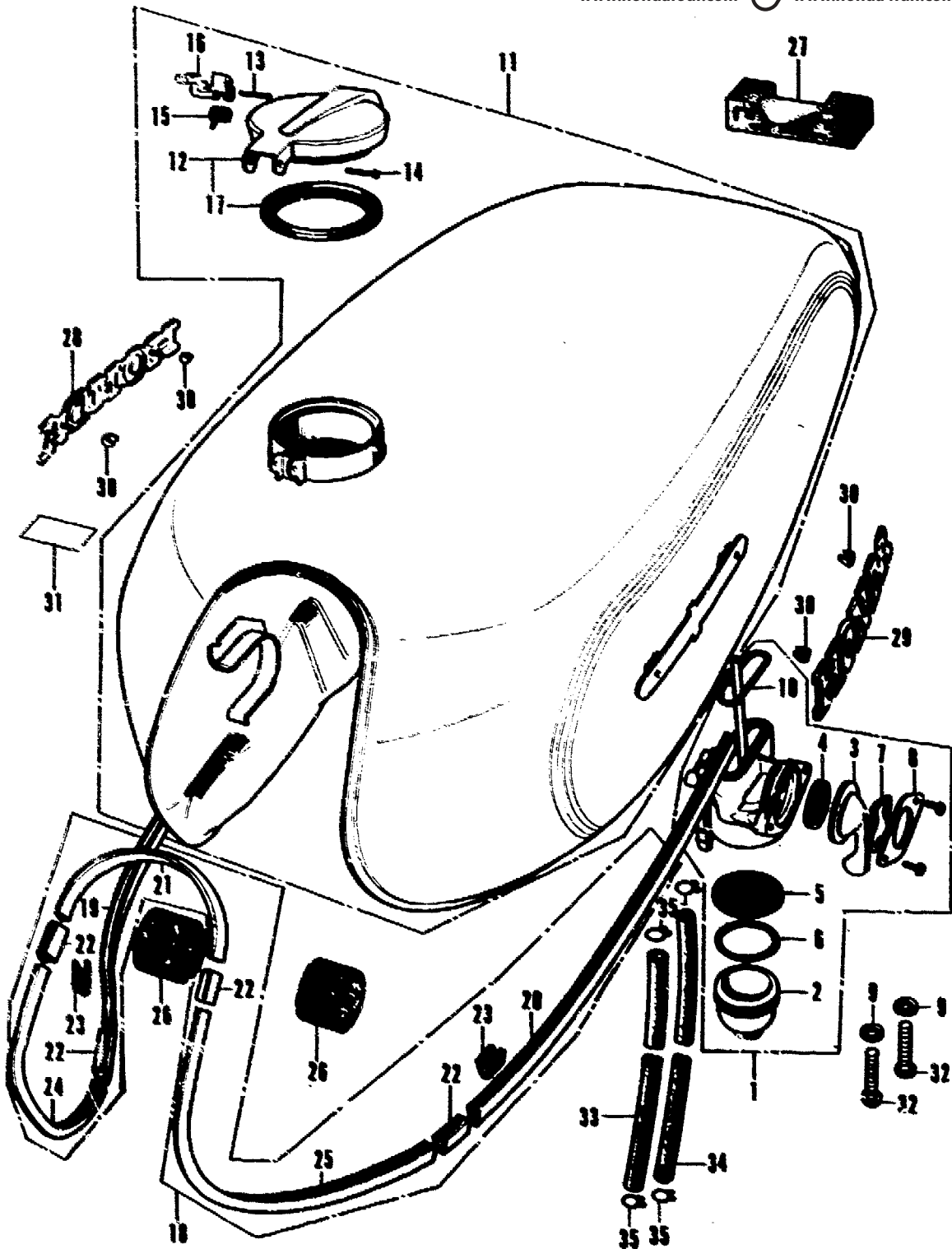
Courtesy of  Honda4Fun  
www.hondafour.com www.honda4fun.com

F-10 Fuel tank - Cock



F-10 Fuel tank - Cock

Courtesy of  Honda4Fun  
www.hondafour.com www.honda4fun.com



Ref. No.	Part No.	Description	Reqd. No.		Serial No.	Area code
			CB500	K1 K2		
1	1695G-300-020	COCK ASSY., FUEL	1	1 1		
2	16952-268-000	CUP, FUEL STRAINER	1	1 1		
3	16953-268-020	LEVER, FUEL COCK	1	1 1		
4	16955-268-020	GASKET, COCK VALVE	1	1 1		
5	16957-268-010	SCREEN, FUEL STRAINER	1	1 1		
6	16958-268-010	O-RING	1	1 1		
7	16960-268-010	SPRING, COCK LEVER	1	1 1		
8	16961-268-010	PLATE, FUEL COCK LEVER SETTING	1	1 1		
9	16993-011-000	GASKET, COCK FIXING	2	2 2		
10	16997-273-066	O-RING, 23MM	1	1 1		
11	17500-323-000B	TANK COMP., FUEL	1	1		D>E>ED>F>G>H>U
	17500-323-000KD	TANK COMP., FUEL	1	1		
	17500-323-000KE	TANK COMP., FUEL	1	1		
	17500-323-000KF	TANK COMP., FUEL	1			
	17500-323-000MZ	TANK COMP., FUEL		1		
	17500-323-700PZ	TANK COMP., FUEL			1	
	17500-323-700QJ	TANK COMP., FUEL			1	
	17500-323-700OP	TANK COMP., FUEL			1	
12	17510-323-310	CAP COMP., FUEL TANK	1	1 1		
13	17513-300-300	PIN, FUEL FILLER CAP CHECK	1	1 1		
14	17514-323-300	PIN B, FUEL FILLER CAP	1	1 1		
15	17515-300-300	SPRING, FUEL FILLER CAP CHECK	1	1 1		
16	17517-300-340	CHECK, FUEL FILLER CAP	1	1 1		
17	17534-323-300	GASKET, FUEL FILLER CAP	1	1 1		
18	17540-323-000	MOULDING SET, FUEL TANK	1	1 1		
19	17541-323-000	MOULDING, R. FUEL TANK	1	1 1		
20	17542-323-000	MOULDING, L. FUEL TANK	1	1 1		
21	17543-323-000	MOULDING, FUEL TANK MIDDLE	1	1 1		
22	17544-323-000	CLIP A, FUEL TANK MOULDING	6	6 6		
23	17545-323-010	CLIP B, FUEL TANK MOULDING	15 17		1009594	1009593
24	17548-323-000	MOULDING, R. TANK MIDDLE	1	1 1		
25	17549-323-000	MOULDING, L. TANK MIDDLE	1	1 1		
26	17611-283-010	CUSHION, FUEL TANK FR.	2	2 2		
27	17613-286-000	CUSHION, FUEL TANK RR.	1	1 1		
28	87121-323-000	EMBLEM, R. FUEL TANK	1	1 1		
29	87122-323-000	EMBLEM, L. FUEL TANK	1	1 1		
30	87311-516-000	NUT, EMBLEM CLAMP	4	4 4		
31	87560-323-611A	MARK, DRIVE CAUTION	1	1		G
	87560-323-611B	MARK, DRIVE CAUTION	1	1		G
	87560-323-621A	MARK, DRIVE CAUTION	1	1		F
	87560-323-621B	MARK, DRIVE CAUTION	1	1		F
	87560-323-670A	MARK, DRIVE CAUTION	1	1 1		A>D>E>ED>U
	87560-323-670B	MARK, DRIVE CAUTION	1	1 1		A>D>E>ED>U
32	93500-06032	SCREW, PAN, 6X32	2	2 2		
33	95001-55180-40	TUBE, FUEL, 5.3X180	1	1 1		
34	95001-55300-40	TUBE, FUEL, 5.3X300	1	1 1		
35	95002-02100	CLIP B10, TUBE	4	4 4		

8323-52

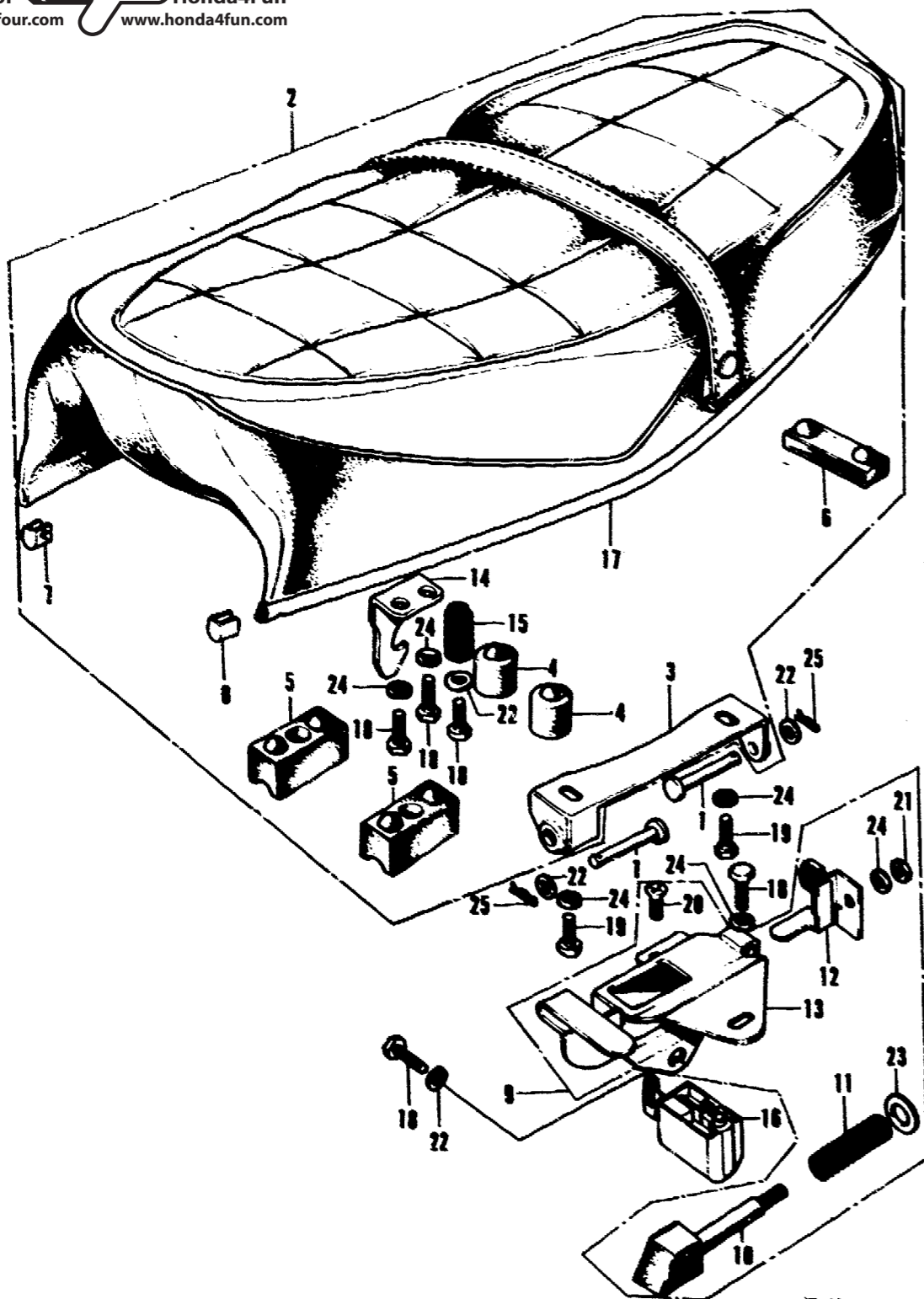
Courtesy of  Honda4Fun  
www.hondafour.com www.honda4fun.com

**F-11 Double seat (CB500)**

**F-11 Double seat (CB500)**

Ref. No.	Part No.	Description	Reqd. No.		Serial No.	Area code
			CB500	K1 K2		
1	77103-313-000	BAR, SEAT HINGE		2		
2	77200-323-030A	SEAT ASSY.		1		
3	77201-323-000	HINGE, SEAT		1		
4	77204-206-020	RUBBER A, SEAT SETTING		2		
5	77204-292-000	RUBBER, SEAT SETTING		2		
6	77204-312-000	RUBBER, SEAT SETTING		1		
7	77211-323-300	GARNISH, R. SEAT MOLE		1		
8	77212-323-300	GARNISH, L. SEAT MOLE		1		
9	77230-323-010	CATCH ASSY., SEAT 77230-323-020		1		
	77230-323-020	CATCH ASSY., SEAT		1		
10	77231-317-670	SLIDER, SEAT CATCH		1		
11	77232-300-000	SPRING, SEAT CATCH		1		
12	77233-323-010	LEVER, SEAT CATCH		1		
13	77234-323-030	PLATE, SEAT CATCH		1		
14	77235-323-000	HOOK, SEAT CATCH		1		
15	77244-300-000	SPRING, SEAT LIFT		1		
16	77250-323-000	LOCK ASSY., SEAT		1		
17	77270-323-003	COAT SET, TOP		1		
18	92000-06012	BOLT, HEX., 6X12		5		
19	92000-06016	BOLT, HEX., 6X16		2		
20	93600-06010	SCREW, FLAT, 6X10		2		
21	94001-06000	NUT, HEX., 6MM		1		
22	94101-06000	WASHER, PLAIN, 6MM		4		
23	94102-08000	WASHER, PLAIN, 8MM		1		
24	94111-06000	WASHER, SPRING, 6MM		6		
25	94251-06000	PIN, LOCK, 6MM		2		

Courtesy of  Honda4Fun  
www.hondafour.com www.honda4fun.com



8323-104

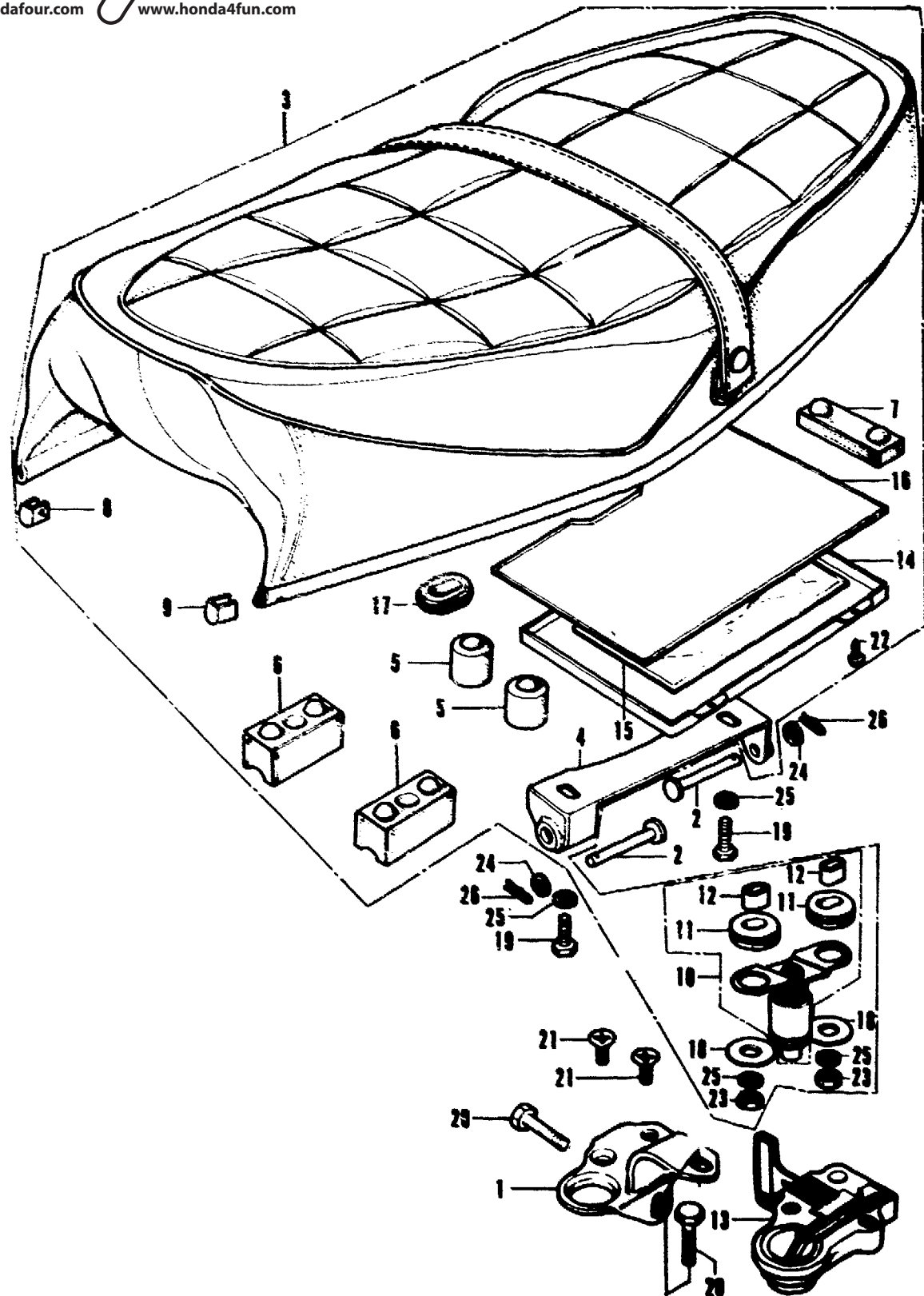
Courtesy of  Honda4Fun  
www.hondafour.com www.honda4fun.com

# E 3

## F-12 Double seat (CB500K1, K2)

## F-12 Double seat (CB500K1, K2)

Courtesy of  Honda4Fun  
www.hondafour.com www.honda4fun.com



Ref. No.	Part No.	Description	Reord. No.		Serial No.	Area code
			CB50	K1 K2		
1	50223-323-010	PLATE, SEAT LOCK SET	1	1		
2	77103-313-000	BAR, SEAT HINGE	2	2		
3	77200-323-050A	SEAT ASSY.	1	1		
4	77201-323-000	HINGE, SEAT	1	1	2060005	D>E>ED>F>G
	77201-323-010	HINGE, SEAT	1	1		
5	77204-286-020	RUBBER A, SEAT SETTING	2	2	2050086	D>E>ED>F>G
6	77204-292-000	RUBBER, SEAT SETTING	2	2		
7	77204-312-000	RUBBER, SEAT SETTING	1	1		
8	77211-323-300	GARNISH, R. SEAT MOLE	1	1		
9	77212-323-300	GARNISH, L. SEAT MOLE	1	1		
10	77220-340-011	BAR ASSY., SEAT LOCK	1	1		
11	77228-340-001	RUBBER, SEAT LOCK BAR CUSHION	2	2		
12	77229-340-001	COLLAR, SEAT LOCK BAR	2	2		
13	77230-347-003	LOCK ASSY., SEAT (TOYOSHA)	1	1		
14	77250-342-300	LID, SEAT UNDER	1	1		
15	77251-342-000	BAG, SERVICE BOOK	1	1		
16	77260-323-300	LID, SEAT	1	1		
17	83551-300-000	GROMMET, AIR CLEANER CASE	1	1		
18	90514-700-000	WASHER, TANK COLLAR LOCKING	2	2		
19	92000-06016	BOLT, HEX., 6X16	2	2		
20	92000-06018	BOLT, HEX., 6X18	2	2		
21	93600-06016-07	SCREW, FLAT, 6X16	2	2		
22	93901-25080	SCREW, TAPPING, 5X8	2	2		
23	94001-06000	NUT, HEX., 6MM	2	2		
24	94101-06000	WASHER, PLAIN, 6MM	2	2		
25	94111-06000	WASHER, SPRING, 6MM	6	6		
26	94251-06000	PIN, LOCK, 6MM	2	2		

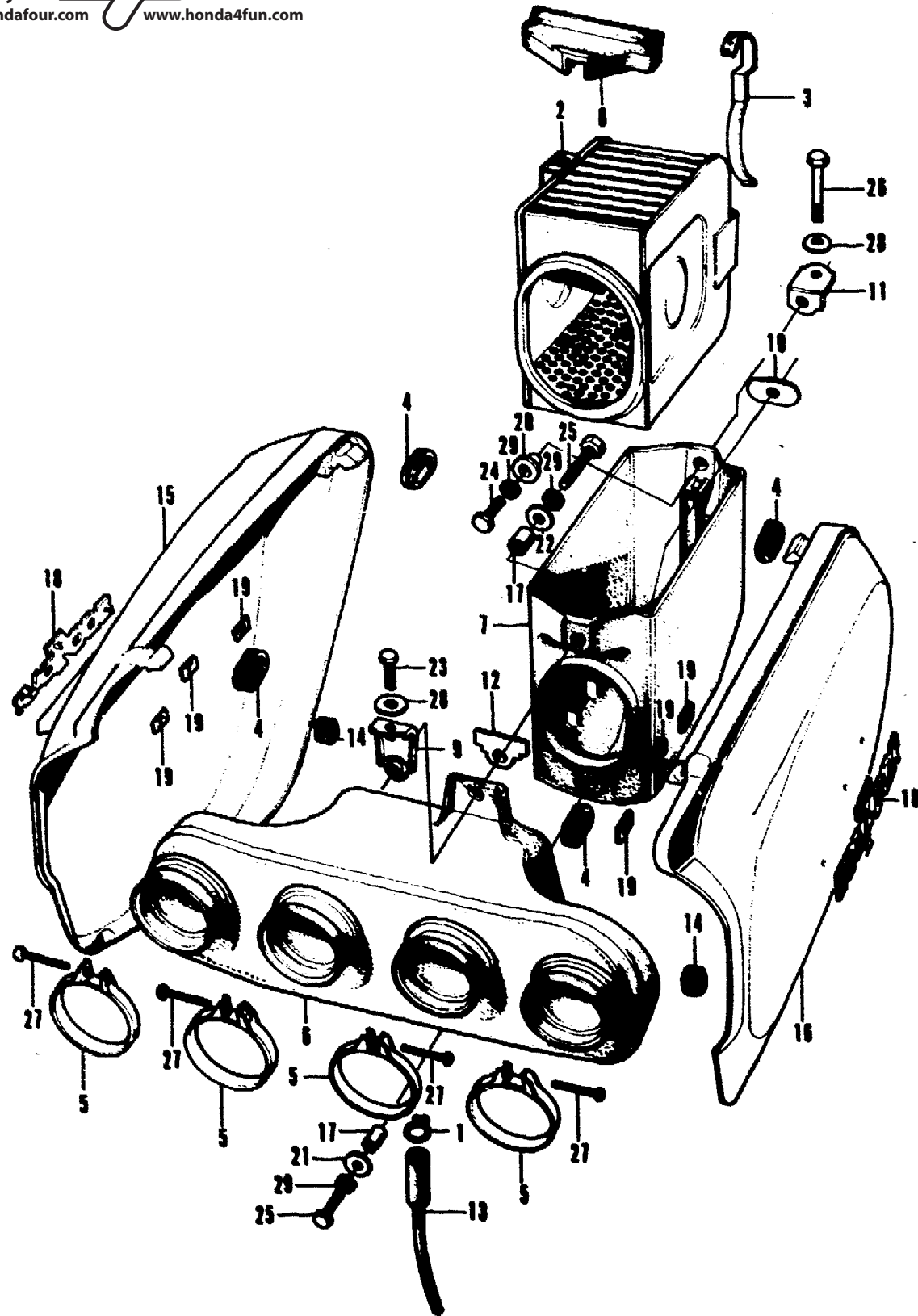
B323-105

Courtesy of  Honda4Fun  
www.hondafour.com www.honda4fun.com

## F-13 Air cleaner - Side cover

## F-13 Air cleaner - Side cover

Courtesy of Honda4Fun  
www.hondafour.com www.honda4fun.com



Ref. No.	Part No.	Description	Reqd. No.		Serial No.	Area code
			CB500	K1 K2		
1	15772-292-010	CLIP, BREATHER TUBE	1	1 1		
2	17210-323-020	ELEMENT, AIR CLEANER	1			
	17210-323-030	ELEMENT, AIR CLEANER	1	1		
3	17216-323-020	SPRING, AIR CLEANER ELEMENT SET	1	1 1		
4	17247-303-000	GROMMET A, AIR CLEANER CASE	4	4 4		
5	17255-323-000	BAND A, CLEANER CONNECTING TUBE	4	4 4		
6	17310-323-000B	CHAMBER COMP., AIR CLEANER	1	1 1		
7	17313-323-030	CASE, AIR CLEANER ELEMENT SEAL	1			
	17313-323-040	CASE, AIR CLEANER ELEMENT SEAL	1	1		
8	17315-323-000	COVER, AIR CLEANER	1	1 1	1021199	A>D>E>F>U A>D>E>F
9	17317-323-010	STAY, AIR CLEANER	1	1 1		
10	17318-323-000	WASHER, ELEMENT SETTING	1	1 1		
11	17319-323-000	STAY, AIR CLEANER RR.	1	1 1		
12	17331-323-000	PLATE, AIR CLEANER	1	1 1		
13	17335-323-000	TUBE ASSY., BREATHER	1	1 1		
14	83551-300-000	GROMMET, AIR CLEANER CASE	2	2 2		
15	83600-323-020B	COVER, R. SIDE	1	1		D>E>ED>F>G>H>U
	83600-323-020EE	COVER, R. SIDE	1	1		
	83600-323-020KB	COVER, R. SIDE	1	1		
	83600-323-020KC	COVER, R. SIDE	1			
	83600-323-020LX	COVER, R. SIDE	1			
	83600-323-020LV	COVER, R. SIDE	1			
	83600-323-020LY	COVER, R. SIDE	1			
	83600-323-020QQ	COVER, R. SIDE	1			
16	83700-323-020B	COVER, L. SIDE	1	1		D>E>ED>F>G>H>U
	83700-323-020EE	COVER, L. SIDE	1	1		
	83700-323-020KB	COVER, L. SIDE	1	1		
	83700-323-020KC	COVER, L. SIDE	1			
	83700-323-020LX	COVER, L. SIDE	1			
	83700-323-020LV	COVER, L. SIDE	1			
	83700-323-020LY	COVER, L. SIDE	1			
	83700-323-020QQ	COVER, L. SIDE	1			
17	84705-310-000	COLLAR, RR. FENDER	2	2 2		
18	87124-323-000	EMBLEM, SIDE COVER	2	2 2		
19	90315-504-000	NUT, SPEED, 3MM	6	6 6		
20	90512-300-000	WASHER, 6X20	1	1 1		
21	90591-701-000	WASHER, 18MM	1	1 1		
22	90601-579-000	WASHER, PLAIN, 6MM	1	1	2034711	
	94101-06000	WASHER, PLAIN, 6MM	1	1	2034712	
23	92000-06012	BOLT, HEX., 6X12	1	1 1		
24	92000-06016	BOLT, HEX., 6X16	1	1 1		
25	92000-06025	BOLT, HEX., 6X25	2	2 2		
26	92000-06040	BOLT, HEX., 6X40	1	1 1		
27	93500-04020-0A	SCREW, PAN, 4X20	4	4 4		
28	94101-06000	WASHER, PLAIN, 6MM	2	2 2		
29	04111-06000	WASHER, SPRING, 6MM	3	3 3		

8323-54A.

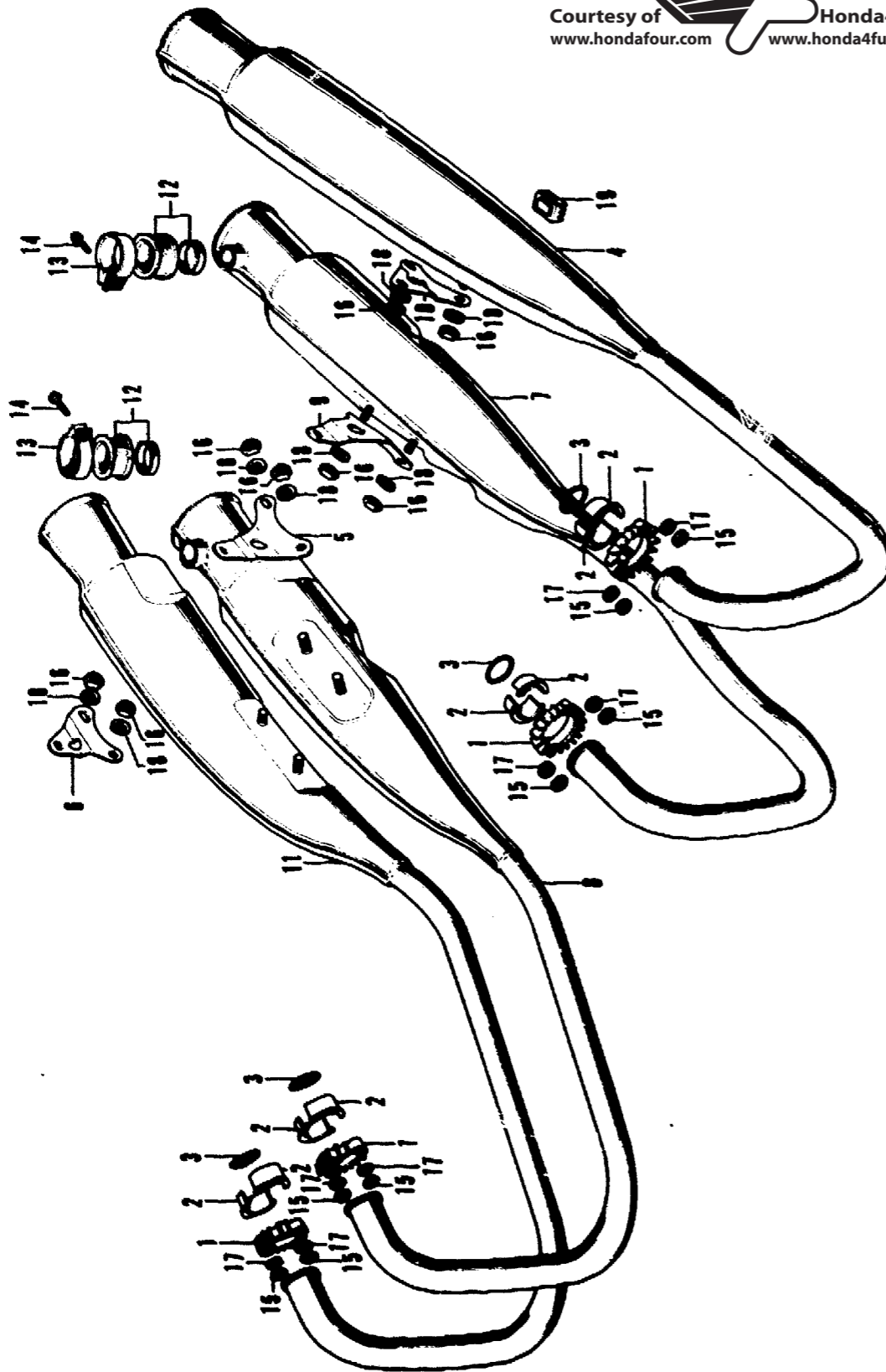
Courtesy of Honda4Fun  
www.hondafour.com www.honda4fun.com

F-14 Muffler



F-14 Muffler

Courtesy of  Honda4Fun  
www.hondafour.com www.honda4fun.com



Ref. No.	Part No.	Description	Reqd. No.		Serial No.	Area code
			CB500	K1 K2		
1	18231-323-000	JOINT, EX. PIPE	4	4 4		
2	18233-107-000	COLLAR, EX. PIPE JOINT	8	8 8		
3	18291-216-000	GASKET, EX. PIPE	4	4 4		
4	18300-323-050	MUFFLER COMP. 1, EX.	1			
	18300-323-060	MUFFLER COMP. 1, EX.		1 1		
5	18340-323-040	BRACKET B, R. MUFFLER	1	1 1		
6	18345-323-010	BRACKET A, R. MUFFLER	1	1 1		
7	18350-323-050	MUFFLER COMP. 2, EX.	1			
	18350-323-060	MUFFLER COMP. 2, EX.		1 1		
8	18400-323-060	MUFFLER COMP. 3, EX.	1			
	18400-323-070	MUFFLER COMP. 3, EX.		1 1		
9	18430-323-040	BRACKET B, L. MUFFLER	1	1 1		
10	18435-323-010	BRACKET A, L. MUFFLER	1	1 1		
11	18450-323-060	MUFFLER COMP. 4, EX.	1			
	18450-323-070	MUFFLER COMP. 4, EX.		1 1		
12	18473-323-000	TUBE, MUFFLER CONNECTING	2	2 2		
13	18476-323-000	BAND, MUFFLER CONNECTING	2	2 2		
14	93500-05016-06	SCREW, PAN, 5X16	2	2 2		
15	94001-06000	NUT, HEX., 6MM	8	8 8		
16	94001-08000-05	NUT, HEX., 8MM	8	8 8		
17	94111-06000	WASHER, SPRING, 6MM	8	8 8		
18	94111-08000	WASHER, SPRING, 8MM	8	8 8		
19	95011-61000	RUBBER A, STAND STOPPER	1	1 1		

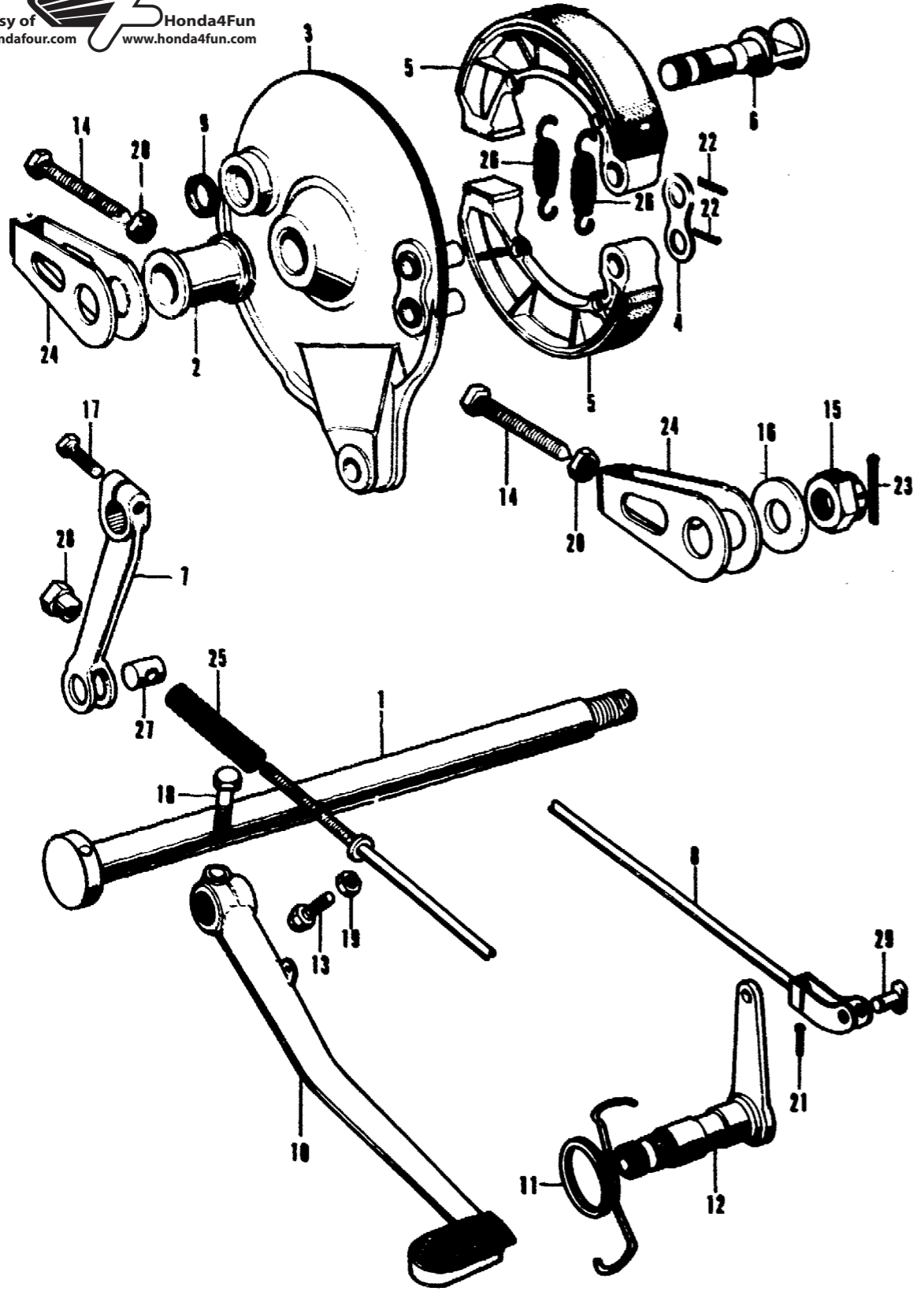
B323-86

Courtesy of  Honda4Fun  
www.hondafour.com www.honda4fun.com

**F-15 Rear brake panel • Brake pedal**

**F-15 Rear brake panel • Brake pedal**

Courtesy of  Honda4Fun  
www.hondafour.com www.honda4fun.com



Ref. No.	Part No.	Description	Reqd. No.		Serial No.	Area code
			CB500	K1 K2		
1	42301-300-010	AXLE, RR. WHEEL	1	1 1		
2	42313-323-010	COLLAR, RR. BRAKE PANEL SIDE	1	1 1		
3	43100-319-000	PANEL COMP., RR. BRAKE 43100-374-000	1	1 1		
	43100-347-000	PANEL COMP., RR. BRAKE	1		2052650	
4	43106-222-300	WASHER, RR. BRAKE ANCHOR PIN	1	1 1		2052651
5	43120-283-000	SHOE COMP., RR. BRAKE	2	2 2		
6	43141-323-000	CAM, RR. BRAKE	1	1 1		
7	43411-283-000	ARM, RR. BRAKE	1	1 1		
8	43451-323-010	ROD, RR. BRAKE	1	1 1		
9	45134-250-000	DUST SEAL, BRAKE CAM	1	1 1		
10	46500-323-010	PEDAL COMP., RR. BRAKE	1	1 1		
11	46514-323-020	SPRING, BRAKE PEDAL	1	1 1		
12	46515-323-010	SHAFT COMP., RR. BRAKE PIVOT	1	1 1		
13	90104-323-000	BOLT, BRAKE PEDAL ADJUST	1	1 1		
14	90119-300-000	BOLT, CHAIN ADJUSTING	2	2 2		
15	90306-268-000	NUT, RR. WHEEL AXLE	1	1 1		
16	90523-292-000	WASHER 18.5X34	1	1 1		
17	92000-06020	BOLT, HEX., 6X20	1	1 1		
18	92000-08028-0A	BOLT, HEX., 8X28	1	1 1		
19	94001-06000	NUT, HEX., 6MM	1	1 1		
20	94002-08000-0S	NUT, HEX., 8MM	2	2 2		
21	94201-16150	PIN, SPLIT, 1.6X15	1	1 1		
22	94201-25200	PIN, SPLIT, 2.5X20	2	2 2		
23	94201-40300	PIN, SPLIT, 4.0X30	1	1 1		
24	95014-19000	ADJUSTER K, CHAIN	2	2 2		
25	95014-73300	SPRING C, BRAKE ROD	1	1 1		
26	95014-74320	SPRING, BRAKE SHOE	2	2 2		2052650
	43151-346-000	SPRING, BRAKE SHOE	2		2052651	
27	95015-32000	JOINT B, BRAKE ARM	1	1		
	95015-32001	JOINT B, BRAKE ARM	1			
28	95015-42000	NUT B, BRAKE ROD ADJUST	1	1 1		
29	95015-52000	PIN B, BRAKE ROD JOINT	1	1 1		

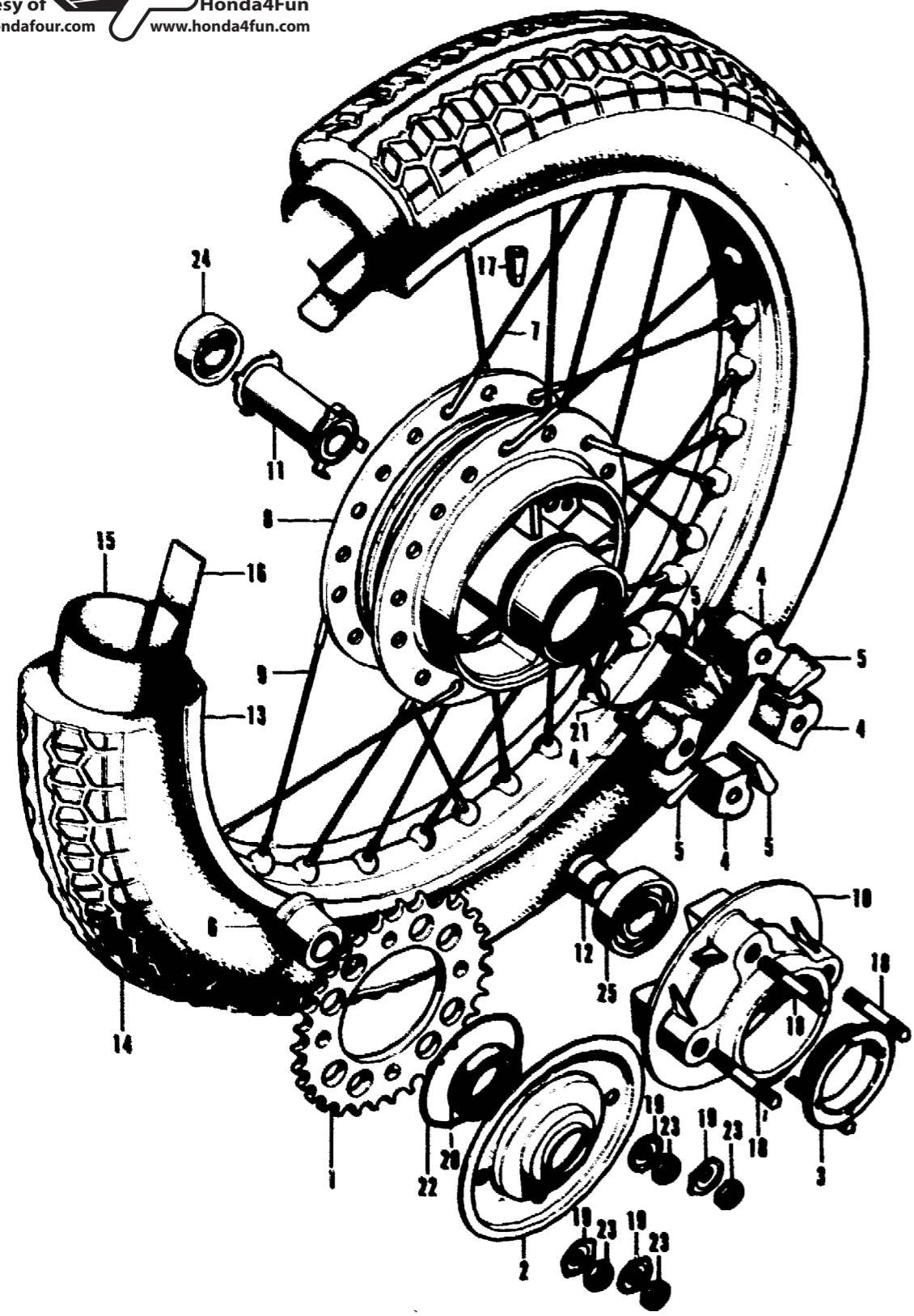
Courtesy of  Honda4Fun  
www.hondafour.com www.honda4fun.com



**F-16 Rear wheel - Driven sprocket**

**F-16 Rear wheel - Driven sprocket**

Courtesy of  Honda4Fun  
www.hondafour.com www.honda4fun.com



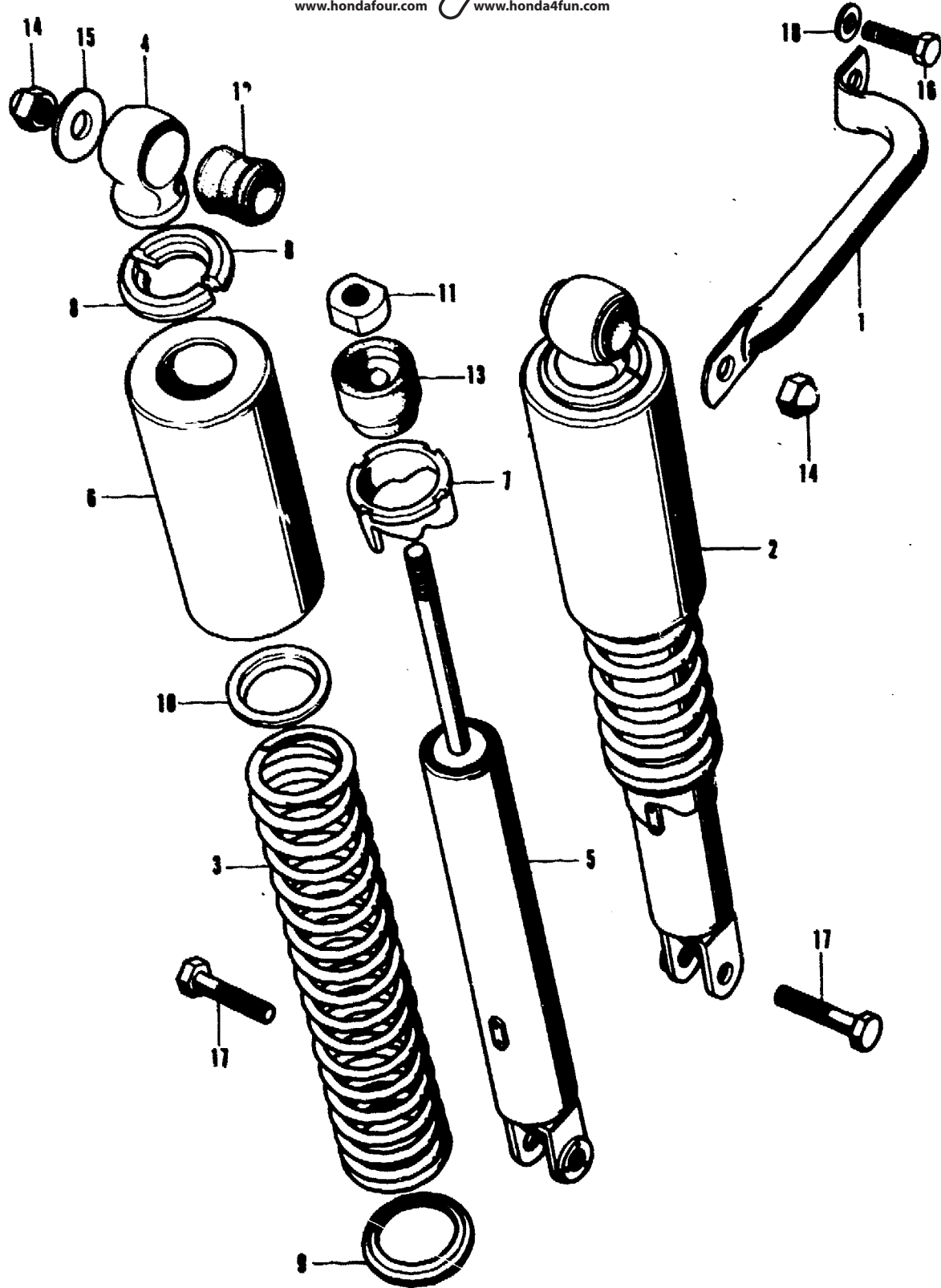
Ref. No.	Part No.	Description	Reqd. No.		Serial No.	Area code
			CB500	K1 K2		
1	41201-323-010	SPROCKET, FINAL DRIVEN (34T)	1	1		
2	41211-323-000	PLATE, SPROCKET SIDE	1	1		
3	41231-323-020	RETAINER, RR. WHEEL BEARING	1	1		
4	41242-323-000	DAMPER A, RR.	4	4		
5	41243-323-000	DAMPER B, RR.	4	4		
6	42311-323-040	COLLAR, RR. WHEEL SIDE	1	1		
7	42601-283-000	SPOKE A, RR.	20	20		
8	42601-323-030	HUB COMP., RR. WHEEL	1	1		
9	42604-283-000	SPOKE B, RR.	20	20		
10	42610-323-000	FLANGE, FINAL DRIVEN	1	1		
11	42620-323-030	COLLAR, RR. AXLE DISTANCE	1	1		
12	42625-283-000	COLLAR B, RR. AXLE DISTANCE	1	1		
13	42701-283-003	RIM, RR. WHEEL (18 DA100)	1	1		
14	42711-323-003	TIRE, RR. WHEEL 42711-323-013	1		1012111	
	42711-323-004	TIRE, RR. WHEEL	1	1		2065945
	42711-323-013	TIRE, RR. WHEEL (3.50-18)(BS) 42711-377-003	1		1012112	
			1	1		2065945 D+E+ED+F+G A
	42711-377-003	TIRE, RR. WHEEL (3.50S-18) (BS)	1		2065946	D+E+ED+F+G
15	42712-287-000	TUBE, RR. WHEEL (3.50-18)	1	1		A+H+U D+E+ED+F+G D+E+ED+F+G
			1	1		2068895
	42712-287-003	TUBE, TIRE (18 BS)	1		2068896	D+E+ED+F+G
16	42713-268-000	FLAP, RR. TUBE (18 BS)	1	1		A+H+U D+E+ED+F+G D+E+ED+F+G
			1	1		2068895
	42713-286-003	FLAP, TIRE (BS)	1		2068896	D+E+ED+F+G
17	44606-283-000	BALANCER (20G)	N	N		
	44607-283-000	BALANCER (15G)	N	N		
	44608-283-000	BALANCER (10G)	N	N		
	44609-283-000	BALANCER (5G)	N	N		
18	90125-323-000	BOLT, STUD, 10X48	4	4		
19	90524-323-000	WASHER, TONGUED, 10MM	4	4		
20	90753-283-000	OIL SEAL, 34X55X9	1	1		
21	91261-323-000	O-RING, 79X2.6	1	1		
22	91262-323-000	O-RING, 92X2	1	1		
23	94030-10000	NUT, HEX., 10MM	4	4		
24	96140-63040-10	BEARING, RADIAL BALL, 6304U	1	1		
25	96140-63050-10	BEARING, RADIAL BALL, 6305U	1	1		

Courtesy of  Honda4Fun  
www.hondafour.com www.honda4fun.com

## F-17 Rear cushion

## F-17 Rear cushion

Courtesy of  Honda4Fun  
www.hondafour.com www.honda4fun.com

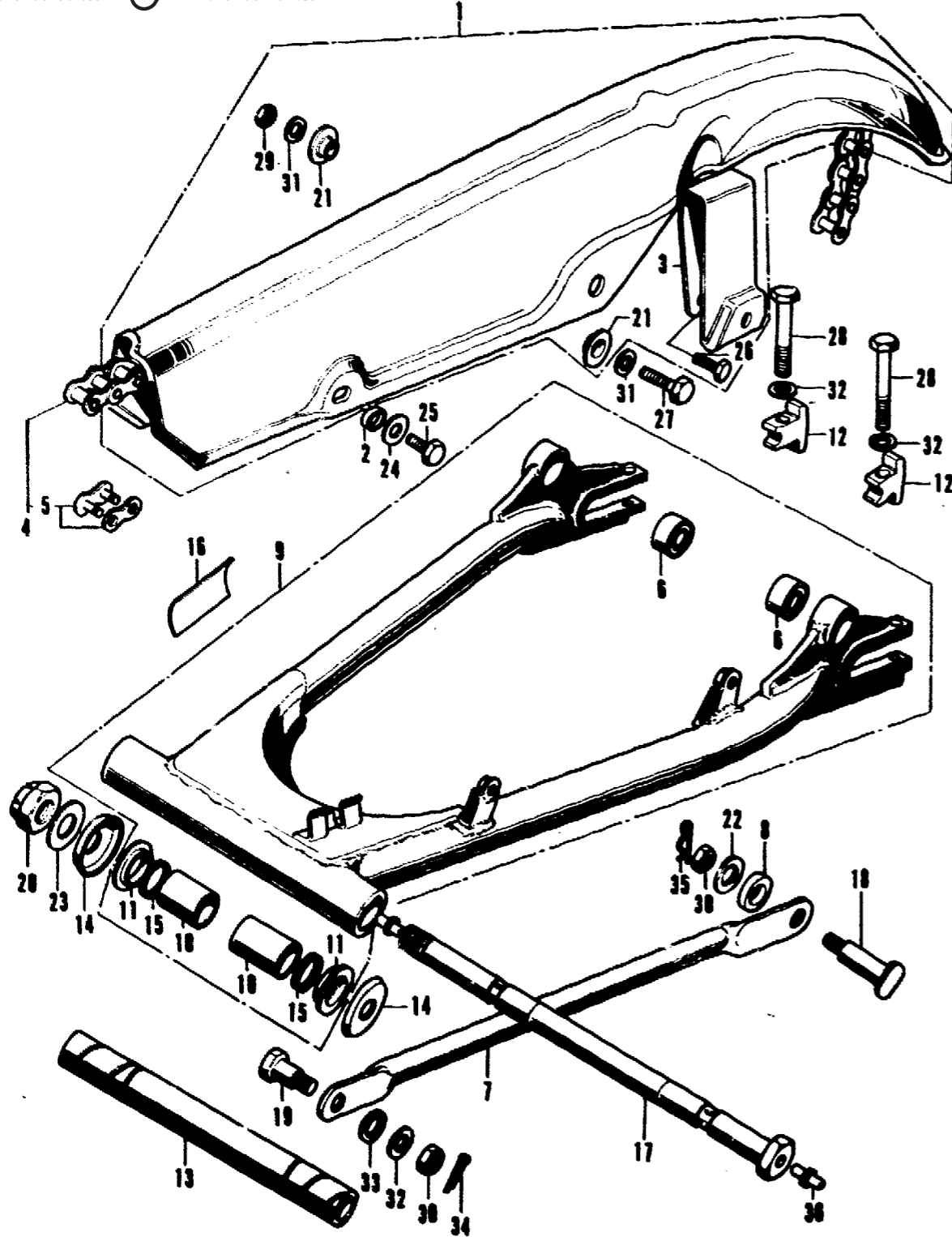


Ref. No.	Part No.	Description	Reqd. No.		Serial No.	Area code
			CB500	K1 K2		
1	50316-300-030	GRIP, SIDE	1	1		D>E>ED>F>G>H>U
2	52400-323-010XM	CUSHION ASSY., RR.	2	2		
	52400-323-670XM	CUSHION ASSY., RR.		2		
3	52401-323-000	SPRING, RR. CUSHION	2	2	2	
4	52403-312-000	JOINT, UPPER	2	2	2	
5	52410-323-000	DAMPER COMP., RR.	2	2		
	52410-323-670	DAMPER COMP., RR.		2		
6	52421-300-000XM	CASE, RR. CUSHION UPPER	2	2	2	
7	52422-292-000	ADJUSTER, RR. CUSHION SPRING	2	2		
	52422-329-000	ADJUSTER, RR. CUSHION SPRING		2		
8	52424-331-003	STOPPER, SPRING SEAT (SHQWA)	4	4	4	
9	52458-312-000	SEAT, RR. CUSHION SPRING UNDER	2	2		
	52458-329-000	SEAT, RR. CUSHION SPRING UNDER		2		
10	52459-312-003	SEAT, RR. CUSHION SPRING	2	2	2	
11	52482-312-000	NUT, LOCK, 10MM	2	2	2	
12	52484-292-000	RUBBER, JOINT	2	2	2	
13	52517-312-000	RUBBER, RR. CUSHION STOPPER	2	2	2	
14	90309-315-000	NUT, RR. CUSHION UPPER	2	2	2	
15	90521-292-000	WASHER, 10.3MM	1	1		D>E>ED>F>G>H>U
16	92000-08028	BOLT, HEX., 8X28	1	1		D>E>ED>F>G>H>U
17	93000-10032-0A	BOLT, HEX., 10X32	2	2	2	
18	94101-08000	WASHER, PLAIN, 8MM	1	1		D>E>ED>F>G>H>U

## F-18 Chain case • Rear fork

## F-18 Chain case • Rear fork

Courtesy of Honda4Fun  
www.hondafour.com www.honda4fun.com

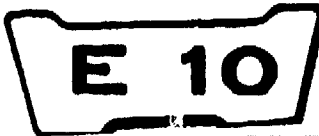


Ref. No.	Part No.	Description	Reqd. No.		Serial No.	Area code
			CB500	K1 K2		
1	40510-323-000	CASE, DRIVE CHAIN	1	1	1	
2	40511-300-000	COLLAR, CHAIN CASE	1	1	1	
3	40512-300-000	PLATE, DRIVE CHAIN CASE	1	1	1	
4	40530-323-305	CHAIN, DRIVE (DID50HDS, 98L)	1	1		
	40530-323-315	CHAIN, DRIVE	1	1	1	
5	40531-300-751	JOINT, DRIVE CHAIN (DID50HDS) (S TYPE)	1	1		
	40531-341-305	JOINT, DRIVE CHAIN (STAKING TYPE)	1	1	1	
6	40548-268-000	BUSH, RR. CUSHION UNDER RUBBER	2	2	2	
7	43431-312-000	ARM, RR. BRAKE STOPPER	1			
	43431-340-000	ARM, RR. BRAKE STOPPER	1	1		
8	43434-286-000	RUBBER, STOPPER ARM CUSHION	1	1	1	
9	52100-323-040B	FORK COMP., RR.	1	1	1	
10	52108-300-300	BUSH, RR. FORK PIVOT	2	2	2	
11	52109-283-300	BUSH, RR. FORK PIVOT THRUST	2	2	2	
12	52136-300-000	STOPPER, CHAIN ADJUSTER	2	2	2	
13	52141-300-000	COLLAR, RR. FORK CENTER	1	1	1	
14	52144-283-010	CAP, RR. FORK DUST SEAL	2	2	2	
15	52145-283-000	RING, RR. FORK FELT	2	2	2	
16	87504-028-670	MARK, MUFFLER CAUTION	1	1	1	
17	90121-300-000	BOLT, RR. FORK PIVOT	1	1	1	
18	90127-323-000	BOLT, RR. BRAKE STOPPER ARM	1	1	1	
19	90133-286-000	BOLT, RR. BRAKE STOPPER ARM	1	1	1	
20	90354-268-000	NUT, SELF LOCK, 14MM	1	1	1	
21	90512-300-000	WASHER, 6X20	2	2	2	
22	90524-030-000	WASHER A, HANDLE HOLDER SETTING	1	1	1	
23	90526-268-000	WASHER, RR. FORK PIVOT BOLT	1	1	1	
24	90581-701-000	WASHER, 18MM	1	1	1	
25	92000-06012	BOLT, HEX., 6X12	1	1	1	
26	92000-06014	BOLT, HEX., 6X14	1	1	1	
27	92000-06016	BOLT, HEX., 6X16	1	1	1	
28	92000-08040-0A	BOLT, HEX., 8X40	2	2	2	
29	94001-06000	NUT, HEX., 6MM	1	1	1	
30	94001-08000-0S	NUT, HEX., 8MM	2	2	2	
31	94101-06000	WASHER, PLAIN, 6MM	2	2	2	
32	94101-08000	WASHER, PLAIN, 8MM	3	3	3	
33	94111-10000	WASHER, SPRING, 10MM	1	1	1	
34	94201-20180	PIN, SPLIT, 2.0X18	1	1	1	
35	94251-08000	PIN, LOCK, 8MM	1	1	1	
36	96201-30001	NIPPLE, GREASE, A.45	2	2	2	

8323-89

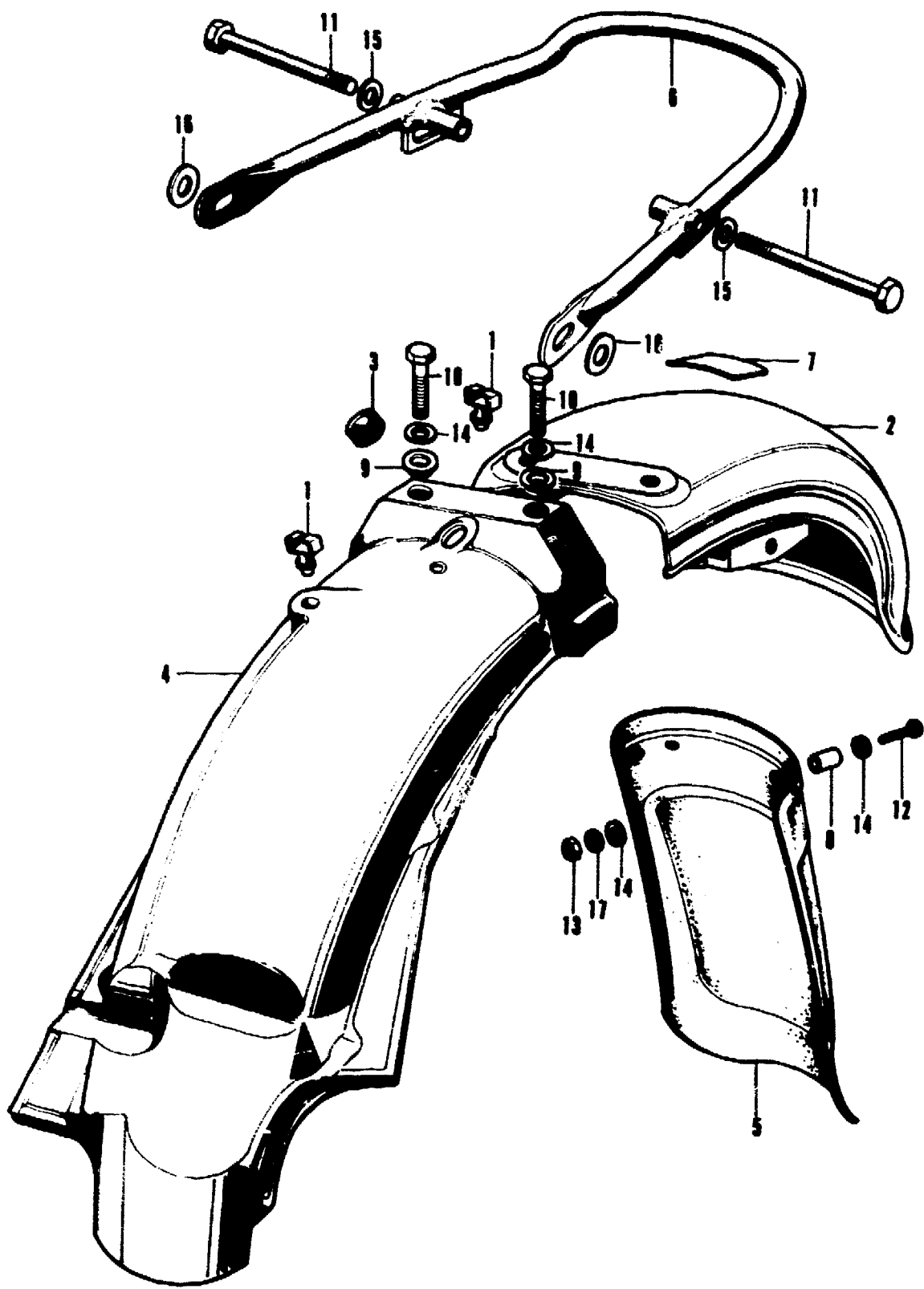
Courtesy of Honda4Fun  
www.hondafour.com www.honda4fun.com

F-19 Rear fender



F-19 Rear fender

Courtesy of  Honda4Fun  
www.honda4fun.com



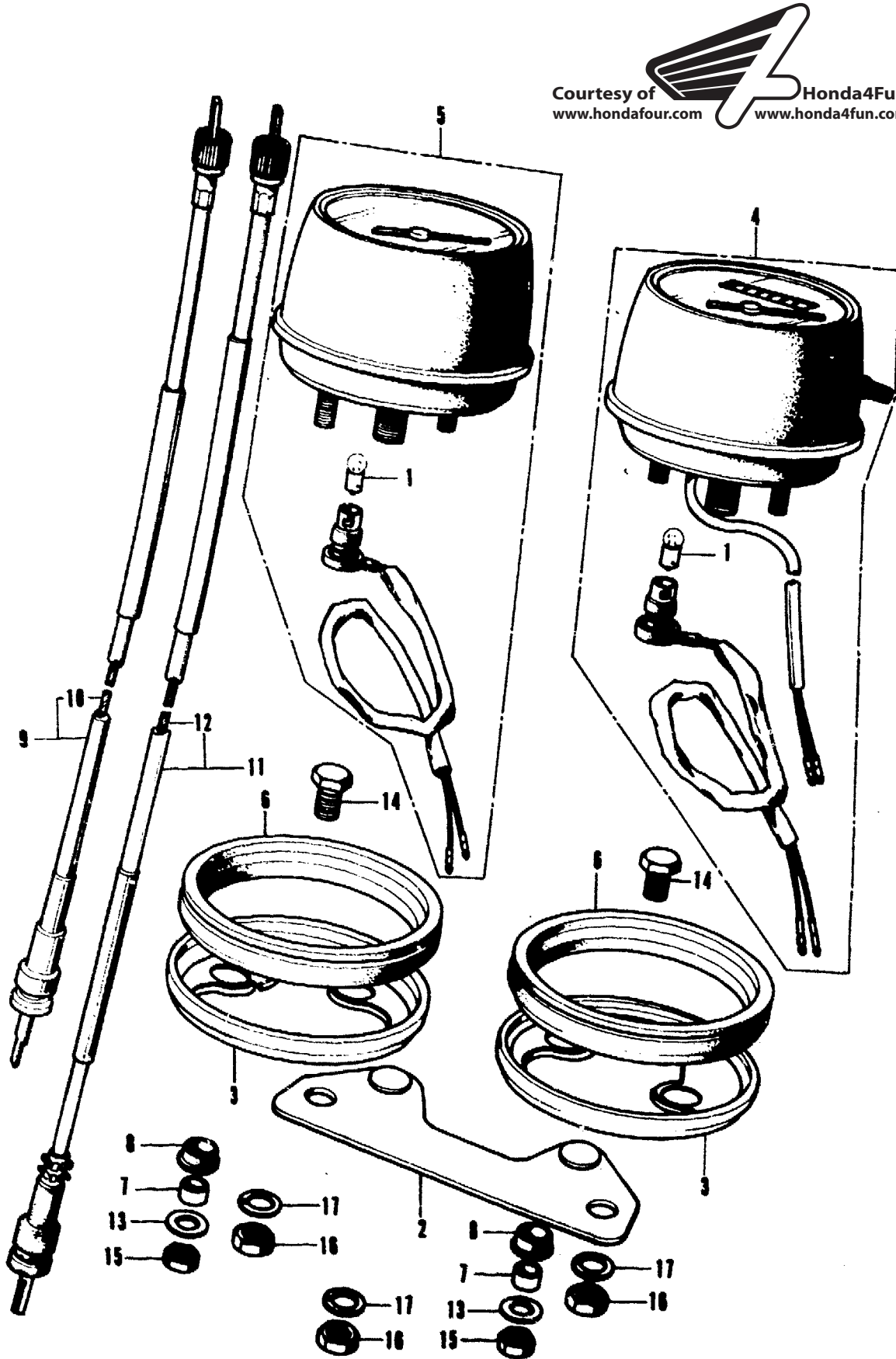
Ref. No.	Part No.	Description	Reqd. No.		Serial No.	Area code
			CB500	K1 K2		
1	32965-300-000	GROMMET, WIRE CORD	2	2 2		
2	80100-323-010XW	FENDER A COMP., RR.	1	1		A,U D
	80100-323-600XW	FENDER A COMP., RR.	1	1		E
	80100-323-610XW	FENDER A COMP., RR.	1	1		G
	80100-323-620XW	FENDER A COMP., RR.	1	1		F
	80100-323-630XW	FENDER A COMP., RR.	1		1012992	ED,H
	80100-323-631XW	FENDER A COMP., RR.	1	1	1012993	ED,H ED
	80100-323-670XW	FENDER A COMP., RR.	1	1		A
3	80102-323-000	GROMMET, WIRE CORD	2	2 2		
4	80103-323-000	FENDER B ASSY., RR.	1	1 1		
5	80121-300-731	MUDGUARD, RR. FENDER	1		1012992	ED,H
	80121-323-630	MUDGUARD, RR. FENDER	1	1	1012993	ED,H ED
6	84101-323-670	BUMPER, RR.	1			A
	84101-323-671	BUMPER, RR.	1	1		A
7	87507-323-621	MARK, TIRE CAUTION	1	1	2034711	E,ED,F,G,H E,ED,F,G
	87507-323-651	MARK, TIRE CAUTION	1	1	2065945	D A
	87507-323-670	MARK, TIRE CAUTION	1			A
	87507-323-770	MARK, TIRE CAUTION	1		2034712	2065945 E,ED,F,G
	87507-323-771	MARK, TIRE CAUTION	1		2065946	D,E,ED,F,G
8	90325-323-630	COLLAR, RR. MUDGUARD	4	4	1012993	ED,H ED
9	90513-323-000	WASHER, 6X9	2	2 2		
10	92000-06028	BOLT, HEX., 6X28	2	2 2		
11	92000-08080-08	BOLT, HEX., 8X80	2			A
	93000-08080-08	BOLT, HEX., 8X80	2	2		A
12	93500-06016-49	SCREW, PAN, 6X16	3		1012992	ED,H
	93500-06020-49	SCREW, PAN, 6X20	4	4	1012993	ED,H ED
13	94001-06000	NUT, HEX., 6MM	3	4	1012992	ED,H ED,H ED
14	94101-06200	WASHER, PLAIN, 6MM	8	2 2	1012992	ED,H A,D,E,F,G,U ED ED
			10	10	1012993	ED ED
15	94101-08200	WASHER, PLAIN, 8MM	2	2 2		A
16	94101-10200	WASHER, PLAIN, 10MM	2	2 2		A
17	94111-06000	WASHER, SPRING, 6MM	4	4	1012993	ED,H ED

8383-40  
8323-60

Courtesy of  Honda4Fun  
www.honda4fun.com

F-20 Speedometer • Tachometer (CB500, CB500K1-D • E • ED • F • G)

Courtesy of  Honda4Fun  
www.hondafour.com www.honda4fun.com



8323-61

F-20 Speedometer • Tachometer (CB500, CB500K1-D • E • ED • F • G)

Ref. No.	Part No.	Description	Reqd. No.		Serial No.	Area code
			CB500	K1 K2		
1	34902-259-000	BULB, DASH (12V 3.4W)	2	2		A,H,U D,E,ED,F,G
2	37211-323-000	PLATE, METER SET	1	1		A,H,U D,E,ED,F,G
3	37212-307-670	RING, R. METER SET	2	2		A,H,U D,E,ED,F,G
4	37230-323-620	SPEEDOMETER ASSY. (KM)	1			ED,F,G,H
	37230-323-671	SPEEDOMETER ASSY. (MILE)	1			A,D,E,U
	37230-346-621	SPEEDOMETER ASSY. (KM)		1		D,ED,F,G
	37230-346-671	SPEEDOMETER ASSY. (MILE)		1		A,D,E
5	37240-323-008	TACHOMETER ASSY.	1	1		A,H,U D,E,ED,F,G
6	37242-319-000	CUSHION, METER	2	2		A,H,U D,E,ED,F,G
7	37243-323-000	COLLAR, METER SET	4	4		A,H,U D,E,ED,F,G
8	37244-307-670	RUBBER, METER SETTING	4	4		A,H,U D,E,ED,F,G
9	37260-300-000	CABLE ASSY., TACHOMETER	1	1		A,H,U D,E,ED,F,G
10	37261-300-000	CABLE, TACHOMETER INNER	1	1		A,H,U D,E,ED,F,G
11	44830-323-000	CABLE ASSY., SPEEDOMETER	1	1	2068885	D,E,ED,F,G
	44830-390-000	CABLE ASSY., SPEEDOMETER	1	1	2068886	D,E,ED,F,G
12	44831-323-000	CABLE, SPEEDOMETER INNER	1	1		A,H,U D,E,ED,F,G
13	90545-292-000	WASHER, 6.5X20	4	4		A,H,U D,E,ED,F,G
14	92000-08016-0A	BDLT, HEX., 8X16	2	2		A,H,U D,E,ED,F,G
15	94001-06000	NUT, HEX., 6MM	4	4		A,H,U D,E,ED,F,G
16	94001-08000-0S	NUT, HEX., 8MM	4	4		A,H,U D,E,ED,F,G
17	94111-08000	WASHER, SPRING, 8MM	4	4		A,H,U D,E,ED,F,G

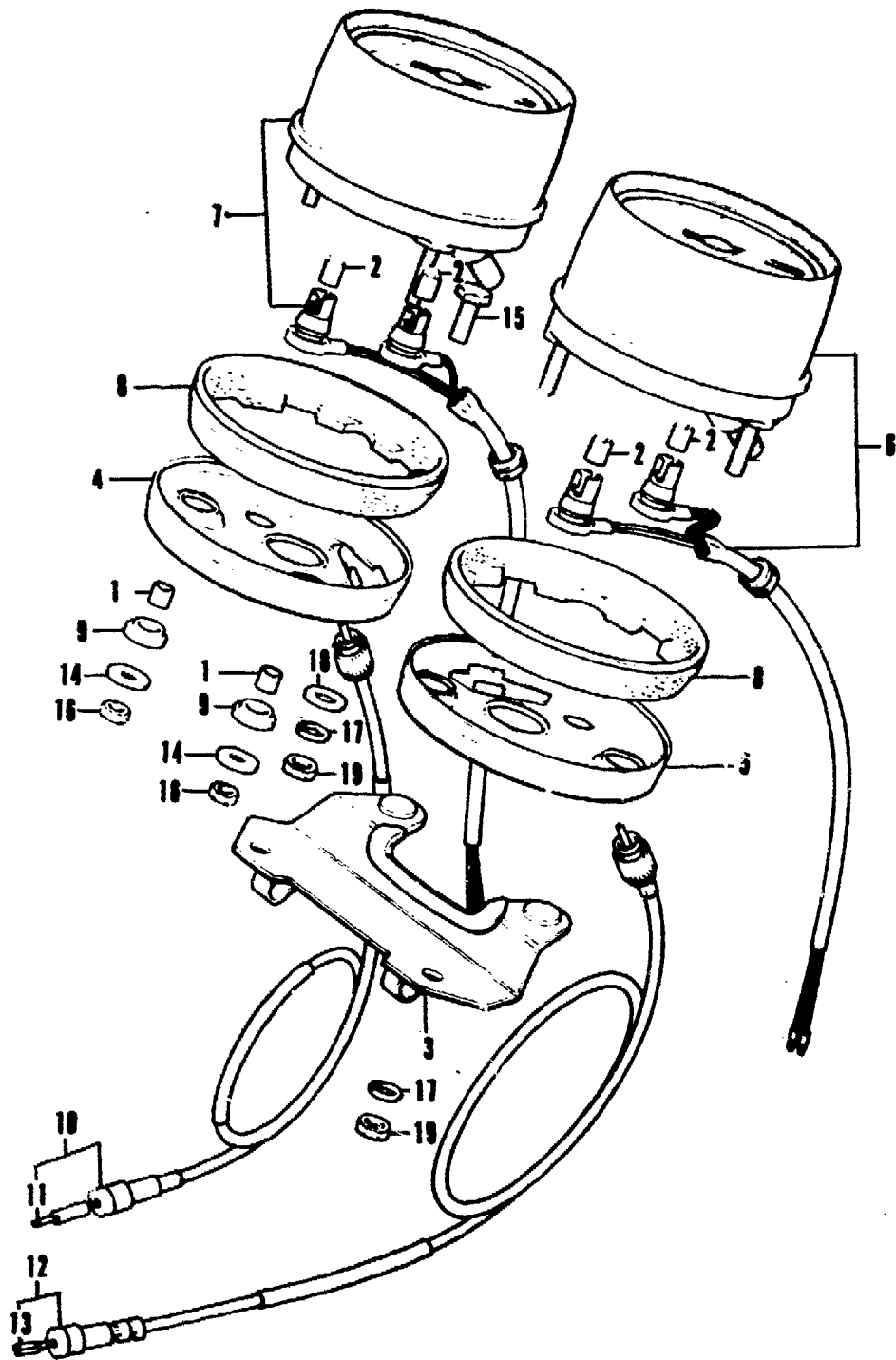
Courtesy of  Honda4Fun  
www.hondafour.com www.honda4fun.com

# E 12

## F-21 Speedometer • Tachometer (CB500K1-A)

## F-21 Speedometer • Tachometer (CB500K1-A)

Ref. No.	Part No.	Description	Reod. No.		Serial No.	Area code
			CB500	K1 K2		
1	17220-300-010	COLLAR, CLEANER CASE SETTING		4		A
2	34902-259-000	BULB, DASH (12V 3.4W)		4		A
3	37211-323-671	PLATE, METER SET		1		A
4	37212-323-701	RING, R. METER SET		1		A
	37212-333-000	RING, R. METER SET		1		A
5	37213-323-701	RING, L. METER SET		1		A
	37213-333-000	RING, L. METER SET		1		A
6	37230-323-701	SPEEDOMETER ASSY. (MILEMETERS)		1		A
7	37240-323-701	TACHOMETER ASSY.		1		A
8	37242-323-701	CUSHION, METER		2		A
9	37244-307-670	RUBBER, METER SETTING		4		A
10	37260-300-000	CABLE ASSY., TACHOMETER		1		A
11	37261-300-000	CABLE, TACHOMETER INNER		1		A
12	44830-323-000	CABLE ASSY., SPEEDOMETER		1		A
13	44831-323-000	CABLE, SPEEDOMETER INNER		1		A
14	90545-292-000	WASHER, 6.5X20		4		A
15	92000-08016-0A	BOLT, HEX., 8X16		2		A
16	94001-06000	NUT, HEX., 6MM		4		A
17	94001-08000-05	NUT, HEX., 8MM		4		A
18	94101-08000	WASHER, PLAIN, 8MM		2		A
19	94111-08000	WASHER, SPRING, 8MM		4		A

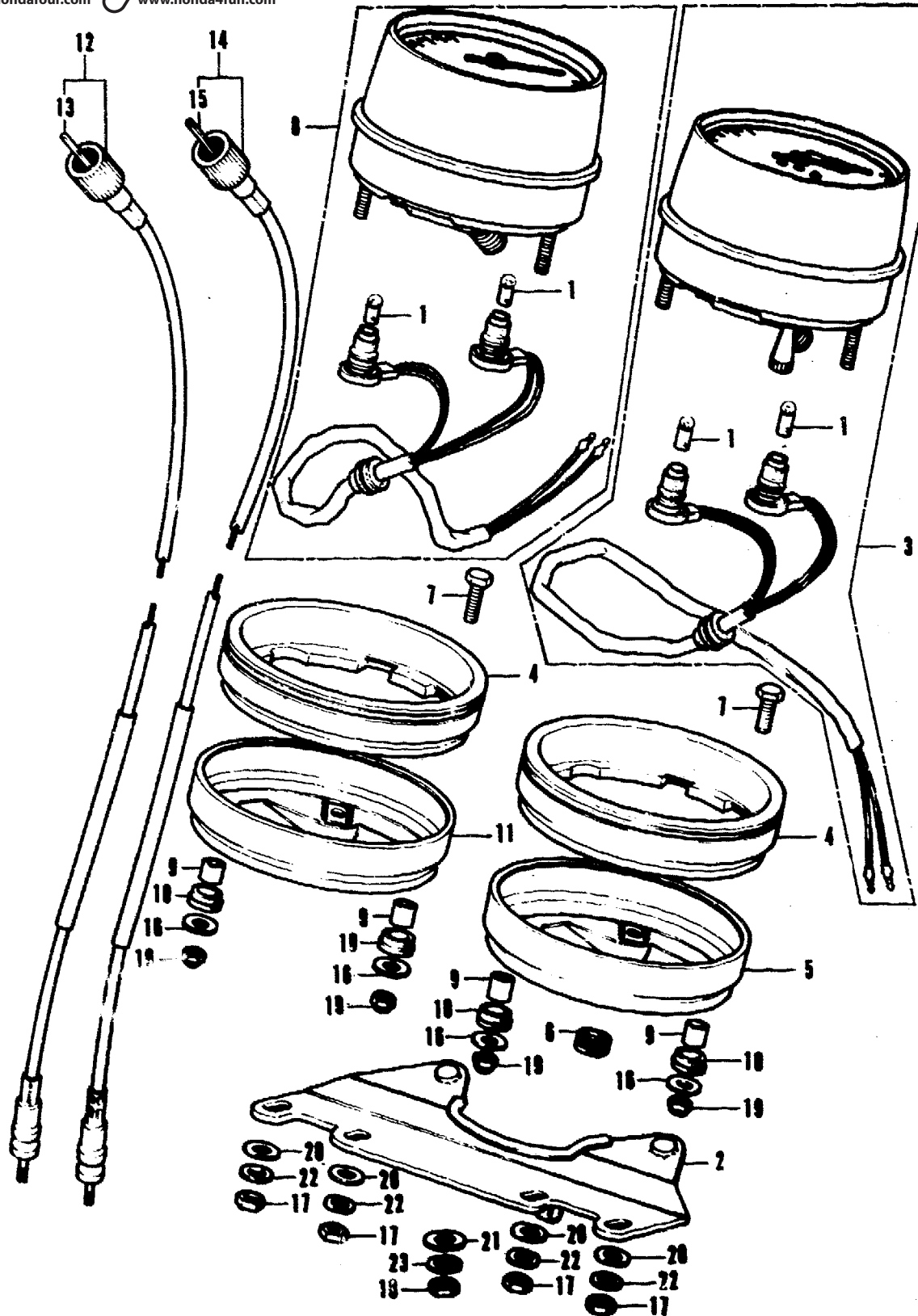


323-100

## F-21-1 Speedometer • Tachometer (CB500K2)

## F-21-1 Speedometer • Tachometer (CB500K2)

Courtesy of  Honda4Fun  
www.honda4fun.com



Ref. No.	Part No.	Description	Reqd. No.		Serial No.	Area code
			CB500	K1 K2		
1	34902-259-000	BULB, DASH (12V 3.4W)		4		
2	37211-341-700	PLATE, METER SET		1		
3	37230-323-704	SPEEDOMETER ASSY. (MILEMETERS) (NIPPON SEIKI)		1		
	37230-323-705	SPEEDOMETER ASSY. (MILEMETERS) (NIPPON DENSO)		1		
4	37235-323-700	CUSHION, SPEEDOMETER		2		
5	37236-323-700	PLATE, SPEEDOMETER UNDER		1		
6	37237-323-700	GROMMET, METER PLATE		1		
7	37238-323-700	BOLT, METER SET, 6MM		4		
8	37240-323-773	TACHOMETER ASSY. (NIPPON SEIKI)		1		
	37240-323-774	TACHOMETER ASSY. (ND)		1		
9	37243-323-700	COLLAR, METER SET		4		
10	37244-307-670	RUBBER, METER SETTING		4		
11	37246-323-700	PLATE, TACHOMETER UNDER		1		
12	37260-300-000	CABLE ASSY., TACHOMETER		1		
13	37261-300-000	CABLE, TACHOMETER INNER		1		
14	44830-323-000	CABLE ASSY., SPEEDOMETER		1		
15	44831-323-000	CABLE, SPEEDOMETER INNER		1		
16	90545-323-700	WASHER, 6.5X18		4		
17	94001-06070	NUT, HEX., 6MM		4		
18	94001-08070	NUT, HEX., 8MM		2		
19	94021-06000	NUT, CAP, 6MM		4		
20	94101-06700	WASHER, PLAIN, 6MM		4		
21	94101-08700	WASHER, PLAIN, 8MM		2		
22	94111-06700	WASHER, SPRING, 6MM		4		
23	94111-08700	WASHER, SPRING, 8MM		2		

8323-106

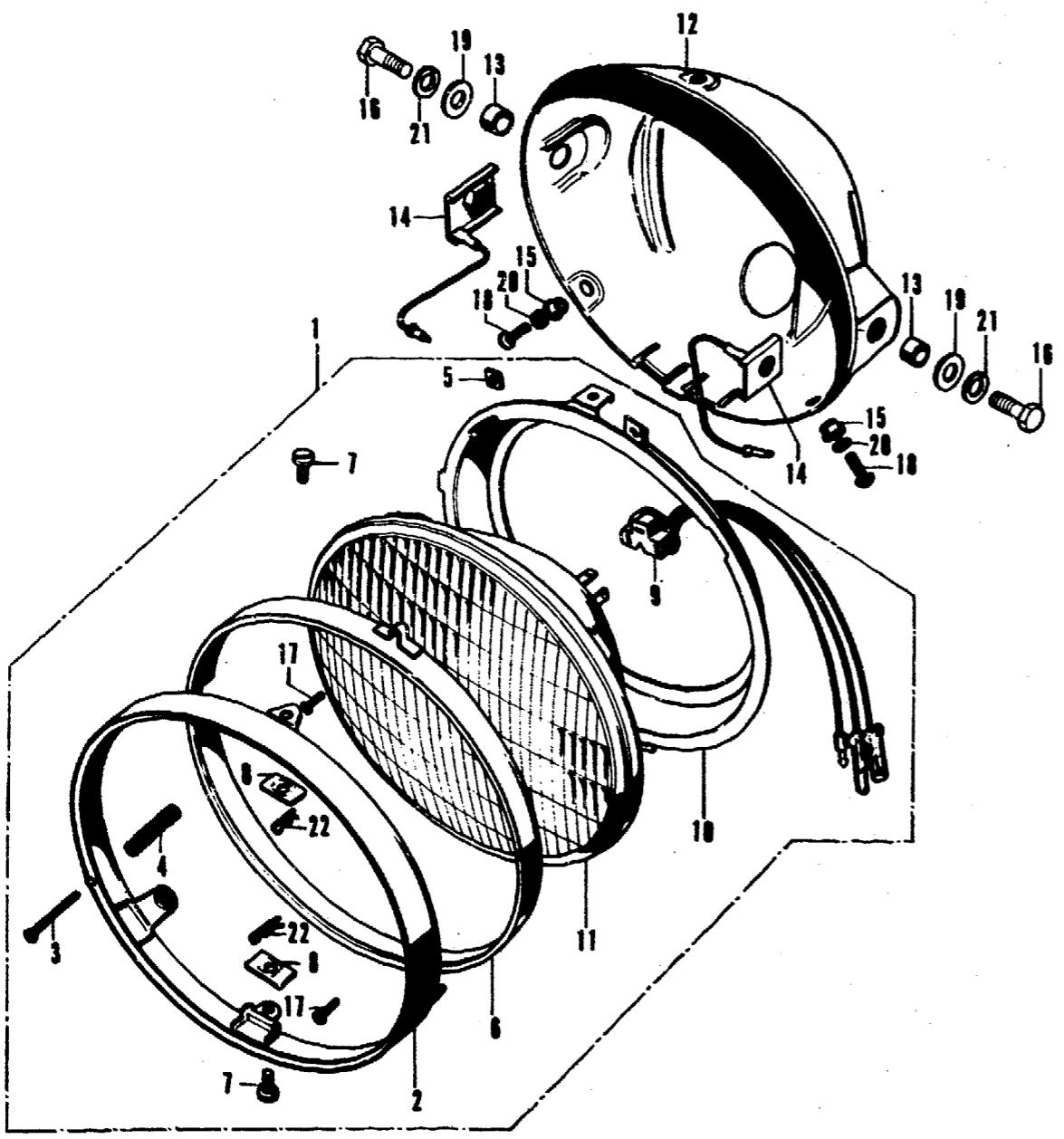
Courtesy of  Honda4Fun  
www.honda4fun.com

# E 14

## F-22 Headlight (A)

## F-22 Headlight (A)

Courtesy of  Honda4Fun  
www.hondafour.com www.honda4fun.com



Ref. No.	Part No.	Description	Reqd. No.		Serial No.	Area code
			CB500	K1 K2		
1	33100-300-673	HEADLIGHT ASSY.	1	1		A
	33100-341-701	HEADLIGHT ASSY. (12V 50/40W)	1	1		A
2	33101-300-673	RING, HEADLIGHT	1	1		A
3	33103-300-003	SCREW, BEAM ADJUSTING	1	1		A
4	33107-300-003	SPRING, HEADLIGHT BEAM ADJUSTING	1	1		A
5	33117-292-003	NUT, BEAM ADJUST	1	1		A
6	33121-300-672	RING, RETAINING	1	1		A
7	33125-292-670	SCREW, UNIT HOLDER	2	2		A
8	33128-292-670	NUT, UNIT HOLDER	2	2		A
9	33130-300-003	SOCKET COMP., HEADLIGHT	1	1		A
10	33153-300-671	RING, MOUNTING	1	1		A
11	33321-505-003	UNIT, SEALED BEAM (STANLEY)	1	1		A
12	61301-300-010B	CASE, HEADLIGHT	1	1		A
13	61302-300-000	COLLAR, HEADLIGHT CASE	2	2		A
14	61303-292-000	WASHER, HEADLIGHT CASE	2			A
	61303-336-000	WASHER, HEADLIGHT CASE	2	2		A
15	61304-292-000	COLLAR, HEADLIGHT SETTING	3	3		A
16	92000-10025-08	BOLT, HEX., 10X25		2		
17	93500-03010-08	SCREW, PAN, 3X10	2	2		A
18	93500-05016-08	SCREW, PAN, 5X16	3	3		A
19	94161-10200	WASHER, PLAIN, 10MM		2		
20	94111-05000	WASHER, SPRING, 5MM	3	3		A
21	94111-10800	WASHER, SPRING, 10MM		2		
22	94251-05000	PIN, LOCK, 5MM	2	2		A

Courtesy of  Honda4Fun  
www.hondafour.com www.honda4fun.com

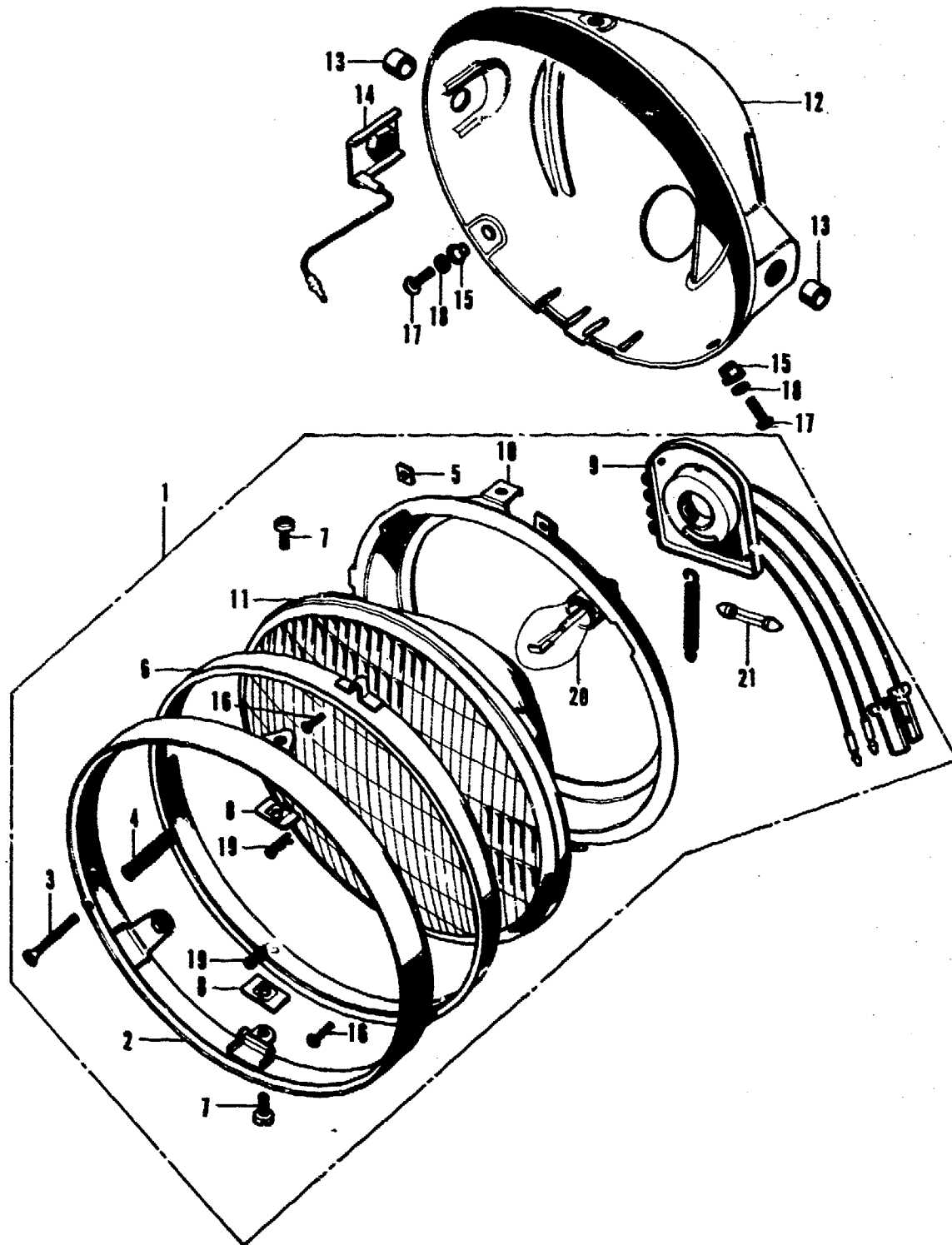


# E 15

## F-23 Headlight (F)

## F-23 Headlight (F)

Courtesy of  Honda4Fun  
www.hondafour.com www.honda4fun.com



Ref. No.	Part No.	Description	Reqd. No.		Serial No.	Area code
			CB500	K1 K2		
1	33100-300-621	HEADLIGHT ASSY. (12V. 36-45W)	1	1		F
2	33101-300-673	RIM, HEADLIGHT	1	1		F
3	33103-300-003	SCREW, BEAM ADJUSTING	1	1		F
4	33107-300-003	SPRING, HEADLIGHT BEAM ADJUSTING	1	1		F
5	33117-292-003	NUT, BEAM ADJUST	1	1		F
6	33121-300-672	RING, RETAINING	1	1		F
7	33125-292-670	SCREW, UNIT HOLDER	2	2		F
8	33128-292-670	NUT, UNIT HOLDER	2	2		F
9	33130-300-621	SOCKET, HEADLIGHT	1	1		F
10	33153-300-622	RING, MOUNTING	1	1		F
11	33321-533-621	UNIT, HEADLIGHT	1	1		F
12	61301-300-0108	CASE, HEADLIGHT	1	1		F
13	61302-300-000	COLLAR, HEADLIGHT CASE	2	2		F
14	61303-292-000	WASHER, HEADLIGHT CASE	2			F
	61303-336-000	WASHER, HEADLIGHT CASE	2			F
15	61304-292-000	COLLAR, HEADLIGHT SETTING	3	3		F
16	93500-03010-08	SCREW, PAN, 3X10	2	2		F
17	93500-05016-08	SCREW, PAN, 5X16	3	3		F
18	94111-05000	WASHER, SPRING, 5MM	3	3		F
19	94251-05000	PIN, LOCK, 5MM	2	2		F
20		BULB, HEADLIGHT (12V 36/38W) (LOCAL PROCUREMENT)	1	1		F
21		BULB, MARKER LIGHT (12V 4W) (LOCAL PROCUREMENT)	1	1		F

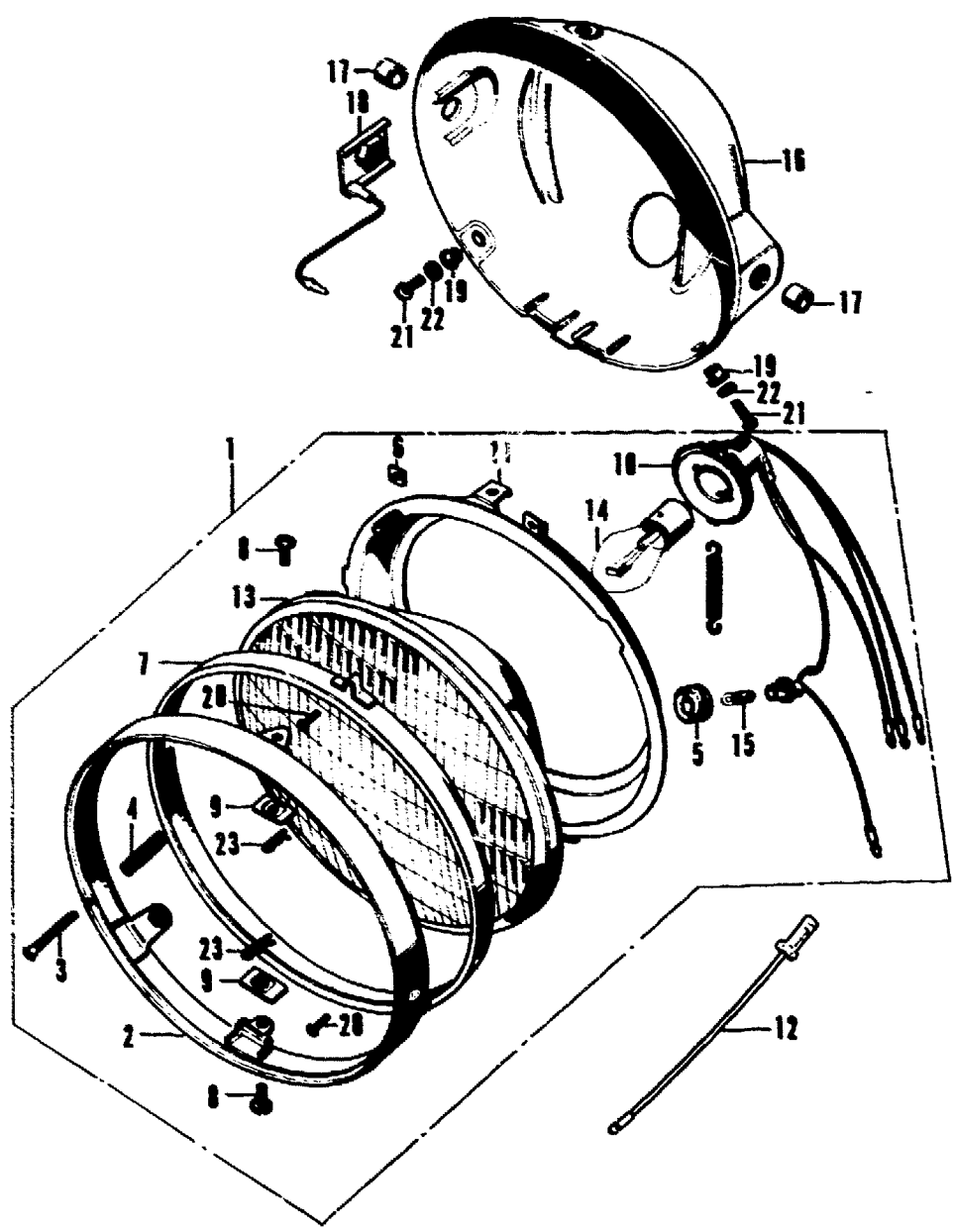
Courtesy of  Honda4Fun  
www.hondafour.com www.honda4fun.com

# E 16

## F-24 Headlight (E · ED · G · H)

## F-24 Headlight (E · ED · G · H)

Courtesy of  Honda4Fun  
www.hondafour.com www.honda4fun.com



Ref. No.	Part No.	Description	Reqd. No.		Serial No.	Area code
			CB500	K1 K2		
1	33100-300-600	HEADLIGHT ASSY. (12V 35/35W. 4W)	1	1		E
	33100-300-610	HEADLIGHT ASSY. (12V. 36-38W)	1	1		ED,G,H
2	33101-300-673	RIM, HEADLIGHT	1	1		E,ED,G,H
3	33103-300-003	SCREW, BEAM ADJUSTING	1	1		E,ED,G,H
4	33107-300-003	SPRING, HEADLIGHT BEAM ADJUSTING	1	1		E,ED,G,H
5	33108-568-610	RUBBER, JOINT	1	1		E,ED,G,H
6	33117-292-003	NUT, BEAM ADJUST	1	1		E,ED,G,H
7	33121-300-672	RING, RETAINING	1	1		E,ED,G,H
8	33125-292-670	SCREW, UNIT HOLDER	2	2		E,ED,G,H
9	33128-292-670	NUT, UNIT HOLDER	2	2		E,ED,G,H
10	33130-300-611	SOCKET, HEADLIGHT & MARKER	1	1		E,ED,G,H
11	33153-300-622	RING, MOUNTING	1	1		E,ED,G,H
12	33175-323-600	SUB CORD, HEADLIGHT	1	1		E,ED,G,H
13	33321-533-611	UNIT, HEADLIGHT	1	1		E,ED,G,H
14	34901-259-611	BULB, HEADLIGHT (12V 35/35W)	1	1		E
		BULB, HEADLIGHT (LOCAL PROCUREMENT)	1	1		ED,G,H
15	34902-259-610	BULB, MARKER LIGHT (12V 4W)	1	1		E
		BULB, MARKER LIGHT (LOCAL PROCUREMENT)	1	1		ED,G,H
16	61301-300-010B	CASE, HEADLIGHT	1	1		E,ED,G,H
17	61302-300-000	COLLAR, HEADLIGHT CASE	2	2		E,ED,G,H
18	61303-292-000	WASHER, HEADLIGHT CASE	2			E,ED,G,H
	61303-336-000	WASHER, HEADLIGHT CASE		2		E,ED,G
19	61304-292-000	COLLAR, HEADLIGHT SETTING	3	3		E,ED,G,H
20	93500-03010-08	SCREW, PAN, 3X10	2	2		E,ED,G,H
21	93500-05016-08	SCREW, PAN, 5X16	3	3		E,ED,G,H
22	94111-05000	WASHER, SPRING, 5MM	3	3		E,ED,G,H
23	94251-05000	PIN, LOCK, 5MM	2	2		E,ED,G,H

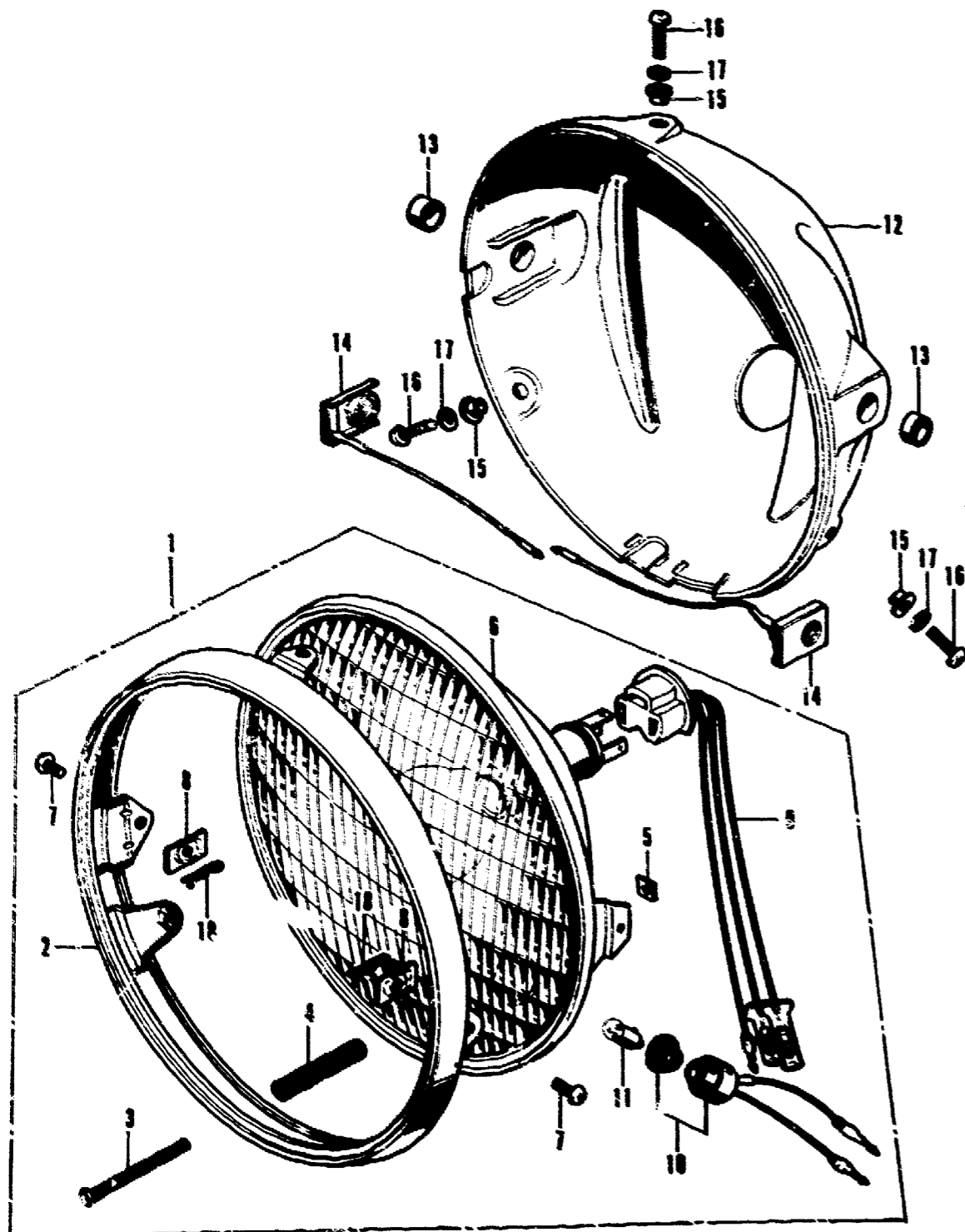
B300-82A

Courtesy of  Honda4Fun  
www.hondafour.com www.honda4fun.com

## F-25 Headlight (D · U)

## F-25 Headlight (D · U)

Courtesy of  Honda4Fun  
www.hondafour.com www.honda4fun.com



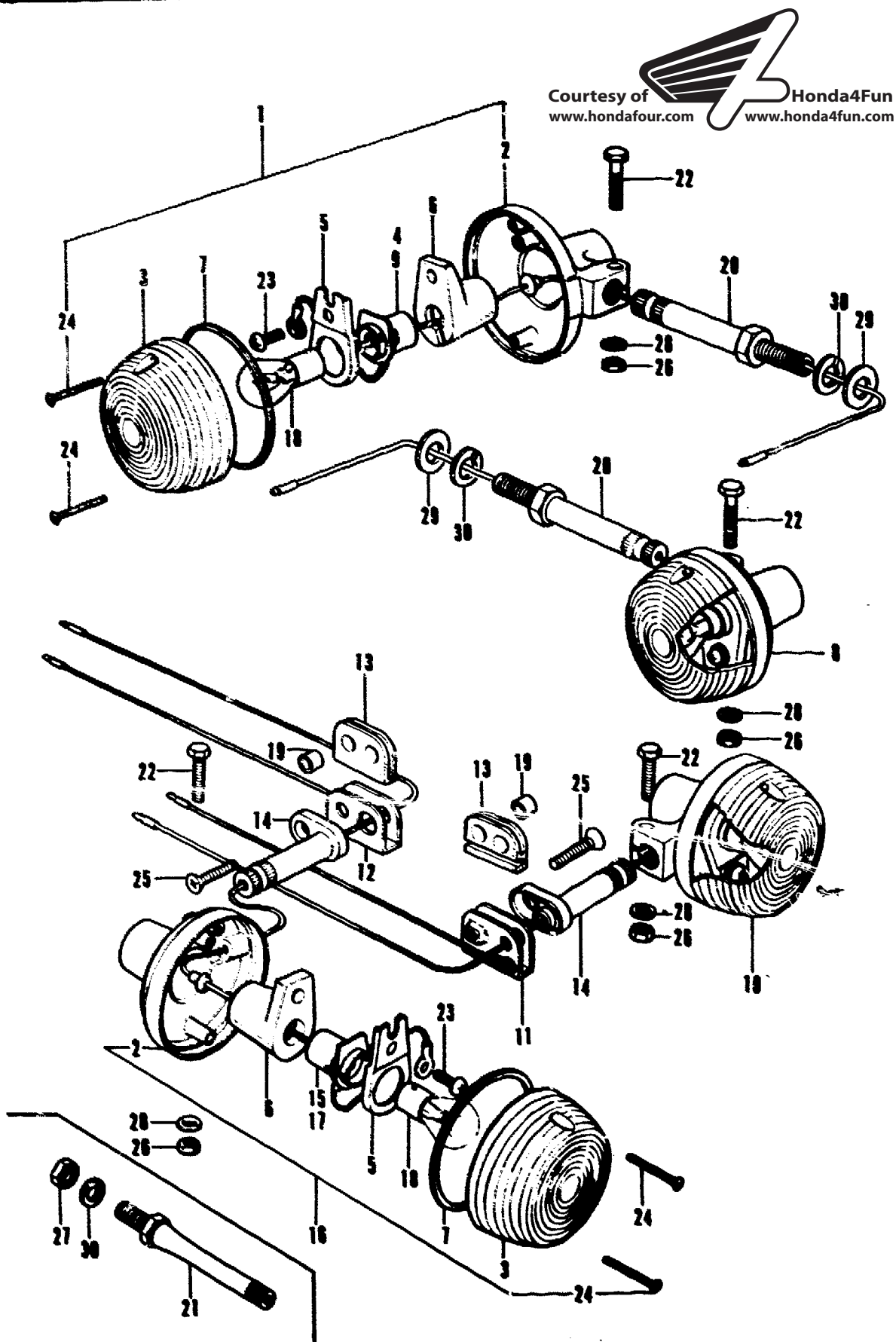
Ref. No.	Part No.	Description	Reqd. No.		Serial No.	Area code
			CB500	K1 K2		
1	33100-323-003	HEADLIGHT ASSY. (12V 50/40W)	1	1		D,U
2	33101-300-043	RIM, HEADLIGHT	1	1		D,U
3	33103-300-003	SCREW, BEAM ADJUSTING	1	1		D,U
4	33107-300-003	SPRING, HEADLIGHT BEAM ADJUSTING	1	1		D,U
5	33117-001-023	NUT, HEADLIGHT BEAM ADJUSTING	1	1		D,U
6	33120-323-003	HEADLIGHT UNIT	1	1		D,U
7	33125-087-761	SCREW, UNIT HOLDER	2	2		D,U
8	33128-292-670	NUT, UNIT HOLDER	2	2		D,U
9	33130-323-003	SOCKET COMP., HEADLIGHT	1	1		D,U
10	33170-323-003	SOCKET COMP., MARKER LIGHT	1	1		D,U
11	34903-071-003	BULB, MARKER LIGHT (12V 3W) (STANLEY)	1	1		D,U
12	61301-300-010B	CASE, HEADLIGHT	1	1		D,U
13	61302-300-000	COLLAR, HEADLIGHT CASE	2	2		D,U
14	61303-292-000	WASHER, HEADLIGHT CASE	2			D,U
	61303-336-000	WASHER, HEADLIGHT CASE				D
15	61304-292-000	COLLAR, HEADLIGHT SETTING	3	3		D,U
16	93500-05016-08	SCREW, PAN, 5X16	3	3		D,U
17	94111-05000	WASHER, SPRING, 5MM	3	3		D,U
18	94251-05000	PIN, LOCK, 5MM	2	2		D,U

8323-62

Courtesy of  Honda4Fun  
www.hondafour.com www.honda4fun.com

## F-26 Winker (A)

## F-26 Winker (A)



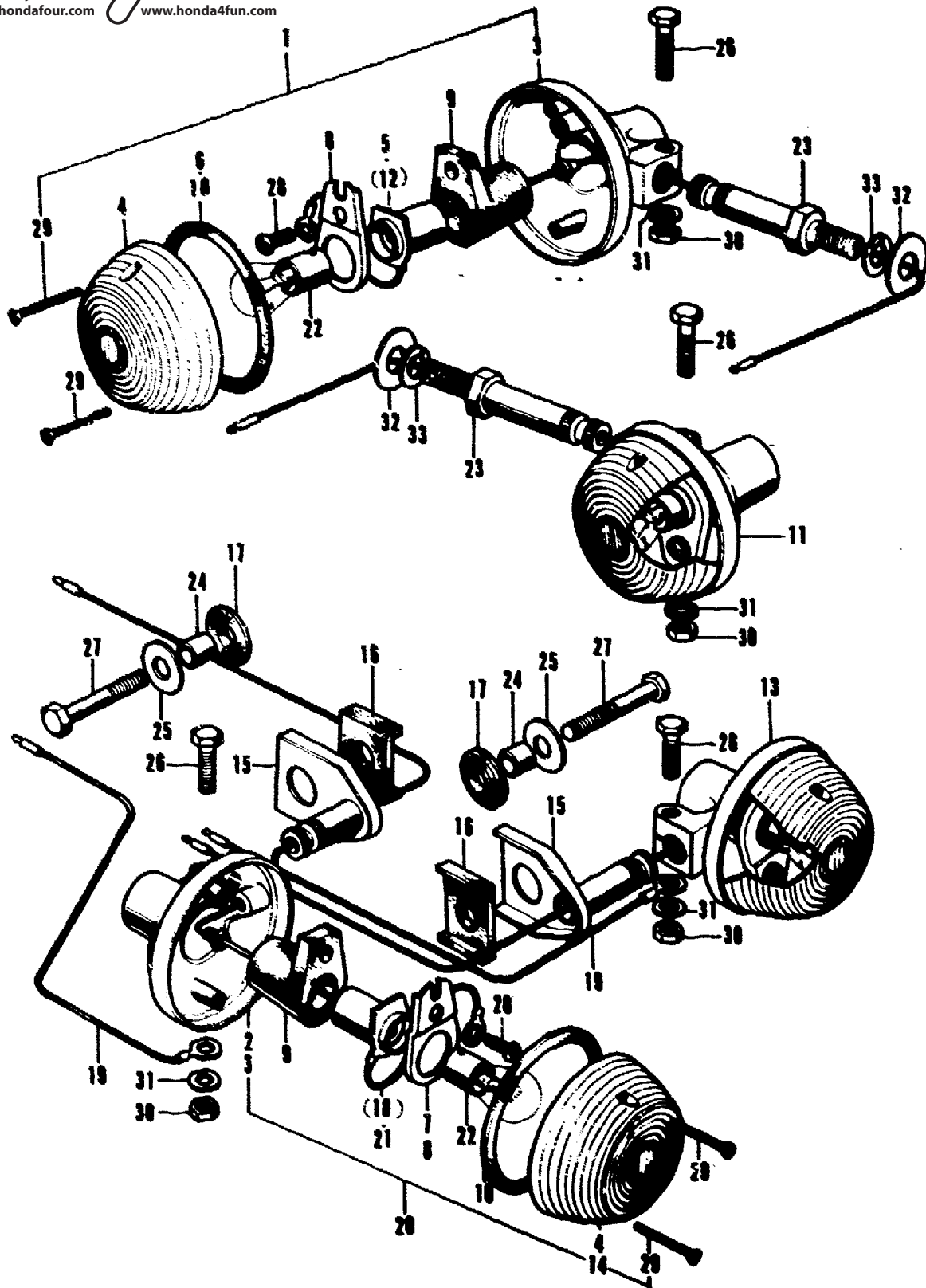
Ref. No.	Part No.	Description	Reqd. No.		Serial No.	Area code
			CB500	K1 K2		
1	33400-292-670	WINKER ASSY., R. FR.	1	1		A
	33400-323-700	WINKER ASSY., R. FR.		1		
2	33401-292-003	BASE, R. FR. WINKER (STANLEY)	4	4	4	A
3	33402-268-671	LENS, FR. WINKER	4	4	4	A
4	33402-292-003	SOCKET COMP., R. FR. WINKER (STANLEY)	1	1		A
	33402-323-700	SOCKET, R. FR. WINKER		1		
5	33407-284-000	HOLDER, FR. WINKER SOCKET	4	4	4	A
6	33408-284-000	RUBBER, WINKER CUSHION	4	4	4	A
7	33443-268-671	PACKING, FR. WINKER LENS	4	4	4	A
8	33450-292-670	WINKER ASSY., L. FR.	1	1		A
	33450-323-700	WINKER ASSY., L. FR.		1		
9	33453-292-003	SOCKET COMP., L. FR. WINKER (STANLEY)	1	1		A
	33453-323-700	SOCKET, L. WINKER		1		
10	33600-300-000	WINKER ASSY., R. RR.	1	1	1	A
11	33604-323-670	STOPPER, R. RR. WINKER	1	1	1	A
12	33605-323-670	STOPPER, L. RR. WINKER	1	1	1	A
13	33606-074-010	RUBBER, RR. WINKER MOUNT	2	2	2	A
14	33607-323-670	STAY, R. RR. WINKER	2	2	2	A
15	33610-300-000	SOCKET COMP., R. RR. WINKER	1	1	1	A
16	33650-300-000	WINKER ASSY., L. RR.	1	1	1	A
17	33660-300-000	SOCKET COMP., L. RR. WINKER	1	1	1	A
18	34905-268-671	BULB, WINKER (12V 23W)	4	4		A
19	80108-061-000	COLLAR, RR. FENDER	2	2	2	A
20	90154-268-670	BOLT, HEADLIGHT CASE SETTING	2	2		A
21	90154-455-670	BOLT, FR. WINKER SETTING		2		
22	93000-06028-02	BOLT, HEX., 6X28	4	4	4	A
23	93500-05008-0A	SCREW, PAN, 5X8	4	4	4	A
24	93700-03025-3B	SCREW, OVAL, 3X25	8	8	8	A
25	93700-06025-02	SCREW, OVAL, 6X25	2	2	2	A
26	94001-06000	NUT, HEX., 6MM	4	4	4	A
27	94001-10000-05	NUT, HEX., 10MM		2		
28	94101-06000	WASHER, PLAIN, 6MM	4	4	4	A
29	94101-10000	WASHER, PLAIN, 10MM	2	2		A
30	94111-10000	WASHER, SPRING, 10MM	2	2	2	A

B3:3-08A

## F-27 Winker (D · E · ED · F · H · U)

## F-27 Winker (D · E · ED · F · H · U)

Courtesy of  Honda4Fun  
www.hondafour.com www.honda4fun.com



Ref. No.	Part No.	Description	Reqd. No.		Serial No.	Area code
			CBS00	K1 K2		
1	33400-292-670	WINKER ASSY., R. FR.	1	1		D>E>F,U
	33400-317-730	WINKER ASSY., R. FR.	1	1		ED,H
2	33401-268-671	BASE, WINKER	2	2		ED,H
3	33401-292-003	BASE, R. FR. WINKER (STANLEY)	2	2		D,E>F,U ED,H
4	33402-268-671	LENS, FR. WINKER	2	2		D,E>F,U ED,H
5	33402-292-003	SOCKET COMP., R. FR. WINKER (STANLEY)	1	1		D,E,ED,F,H,U
6	33406-268-671	PACKING, WINKER LENS	2	2		ED,H
7	33407-268-671	HOLDER, FR. WINKER SOCKET	2	2		ED,H
8	33407-284-000	HOLDER, FR. WINKER SOCKET	2	2		D,E,F,U ED,H
9	33408-284-000	RUBBER, WINKER CUSHION	4	4		D,E,ED,F,H,U
10	33443-268-671	PACKING, FR. WINKER LENS	2	2		D,E,F,U ED,H
11	33450-292-670	WINKER ASSY., L. FR.	1	1		D,E,F,U
	33450-317-730	WINKER ASSY., L. FR.	1	1		ED,H
12	33453-292-003	SOCKET COMP., L. FR. WINKER (STANLEY)	1	1		D,E,ED,F,H,U
13	33600-300-000	WINKER ASSY., R. RR.	1	1		D,E,F,U
	33600-323-631	WINKER ASSY., R. RR.	1	1		ED,H
14	33602-323-631	LENS, RR. WINKER	2	2		ED,H
15	33607-292-000B	STAY, R. RR. WINKER MOUNT	2	2		D,E,ED,F,H,U
16	33608-286-000	RUBBER B, RR. WINKER MOUNT	2	2		D,E,ED,F,H,U
17	33608-300-000	RUBBER, RR. WINKER MOUNT	2	2		D,E,ED,F,H,U
18	33610-300-000	SOCKET COMP., R. RR. WINKER	1	1		D,E,ED,F,H,U
19	33620-300-000	CORD, RR. WINKER EARTH	2	2		D,E,ED,F,H,U
20	33650-300-000	WINKER ASSY., L. RR.	1	1		D,E,F,U
	33650-323-631	WINKER ASSY., L. RR.	1	1		ED,H
21	33663-300-000	SOCKET COMP., L. RR. WINKER	1	1		D,E,ED,F,H,U
22	34905-268-671	BULB, WINKER (12V 23W)	4	4		D,E,F,U
	34905-271-611	BULB, WINKER (12V 18W)	4	4		ED,H
23	90154-268-670	BOLT, HEADLIGHT CASE SETTING	2	2		D,E,F,U
	90154-292-610	BOLT, LIGHT CASE SETTING	2	2		ED,H
24	90324-300-000	COLLAR, 8MM	2	2		D,E,ED,F,H,U
25	90428-844-650	WASHER, 8MM	2	2		D,E,ED,F,H,U
26	93000-06028-02	BOLT, HEX., 6X28	4	4		D,E,ED,F,H,U
27	93100-02040-08	BOLT, HEX., 8X40	2	2		D,E,ED,F,H,U
28	93500-05008-CA	SCREW, PAN, 5A8	4	4		D,E,ED,F,H,U
29	93700-03025-3B	SCREW, OVAL, 3X25	8	8		D,E,ED,F,H,U
30	94001-06000	NUT, HEX., 6MM	4	4		D,E,ED,F,H,U D,E,ED,F
	18362-720-000	NUT, FLANGE, 6MM	4	4	2076890	D,E,ED,F
31	94101-06000	WASHER, PLAIN, 6MM	4	4	2076890	D,E,ED,F,H,U D,E,ED,F
32	94101-10000	WASHER, PLAIN, 10MM	2	2		D,E,ED,F,H,U
33	94111-10000	WASHER, SPRING, 10MM	2	2		D,E,ED,F,H,U

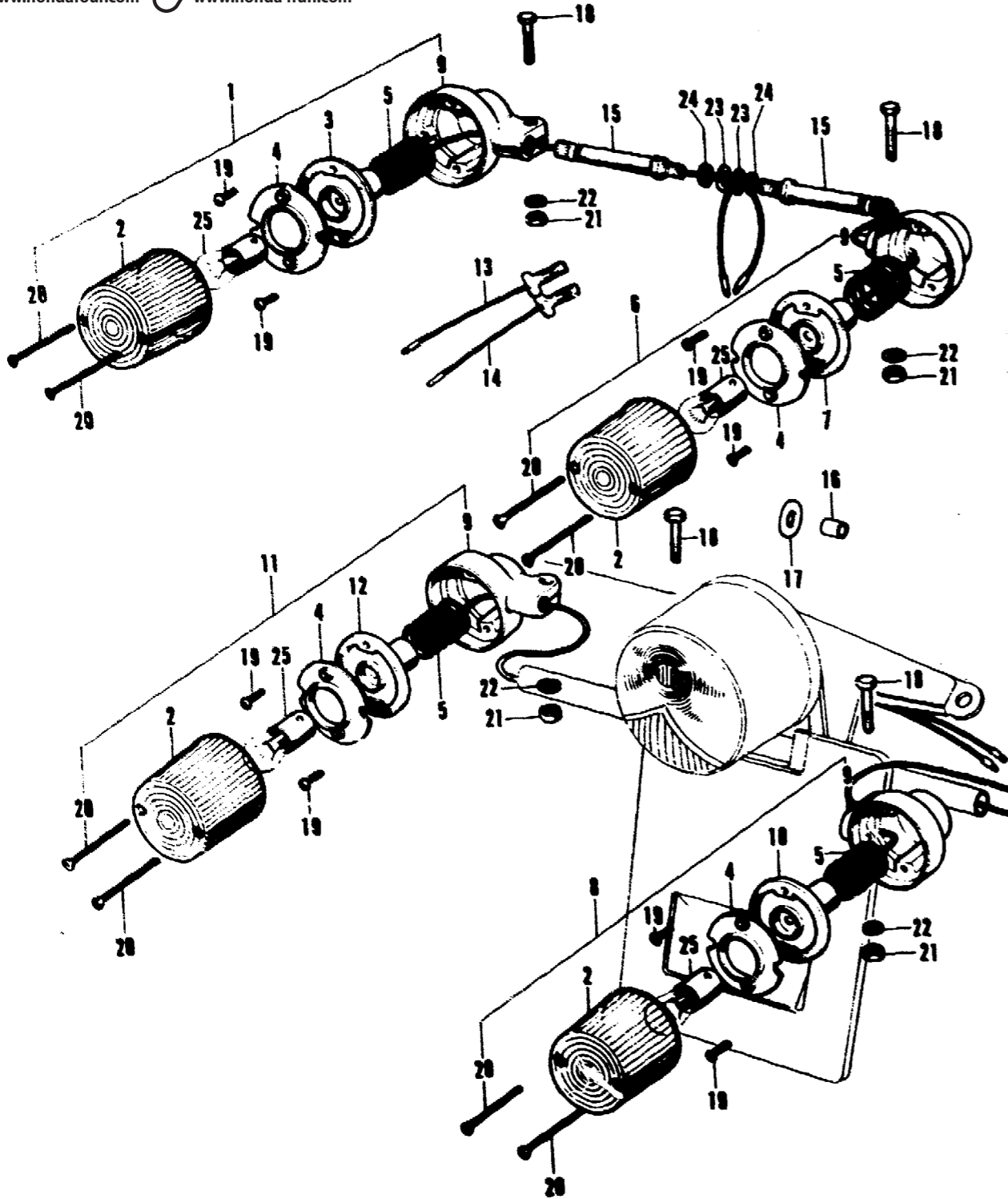
8323-67

Courtesy of  Honda4Fun  
www.hondafour.com www.honda4fun.com

## F-28 Winker (G)

## F-28 Winker (G)

Ref. No.	Part No.	Description	Reqd. No.		Serial No.	Area code
			CB500	K1 K2		
1	33400-292-611	WINKER ASSY., R. FR. 33400-292-612	1	1		G
2	33402-268-610	LENS, FR. WINKER	4	4		G
3	33410-292-610	SOCKET ASSY., R. FR. WINKER	1	1		G
4	33411-285-000	RING, WINKER 33403-285-010	4	4		G
5	33413-285-000	SPRING, COIL	4	4		G
6	33450-292-611	WINKER ASSY., L. FR. 33450-292-612	1	1		G
7	33460-292-610	SOCKET ASSY., L. FR. WINKER	1	1		G
8	33600-300-610	WINKER ASSY., R. RR. 33600-341-610	1	1		G
9	33605-292-610	BASE, WINKER	4	4		G
10	33610-300-610	SOCKET, R. RR. WINKER	1	1		G
11	33650-300-610	WINKER ASSY., L. RR. 33650-341-610	1	1		G
12	33660-300-610	SOCKET, L. RR. WINKER	1	1		G
13	33714-300-610	SUB CORD, R. WINKER	1	1		G
14	33715-300-610	SUB CORD, L. WINKER	1	1		G
15	90154-292-610	BOLT, LIGHT CASE SETTING	2	2		G
16	90324-300-000	COLLAR, 6MM	2	2		G
17	90428-944-650	WASHER, 6MM	1	1		G
18	93000-06028-02	BOLT, HEX., 6X28	4	4		G
19	93500-03010-0A	SCREW, PAN, 3X10	8	8		G
20	93700-03045-0B	SCREW, LVAL, 3X45	0	0		G
21	94001-06000-0S	NUT, HEX., 6MM	4	4		G
	18362-720-000	NUT, FLANGE, 6MM	4	4	2076890	G
22	94101-06000	WASHER, PLAIN, 6MM	4	4	2076891	G
					2076890	G
23	94101-10200	WASHER, PLAIN, 10MM	2	2		G
24	94111-10200	WASHER, SPRING, 10MM	2	2		G
25		BULB, WINKER (LOCAL PROCUREMENT)	4	4		G



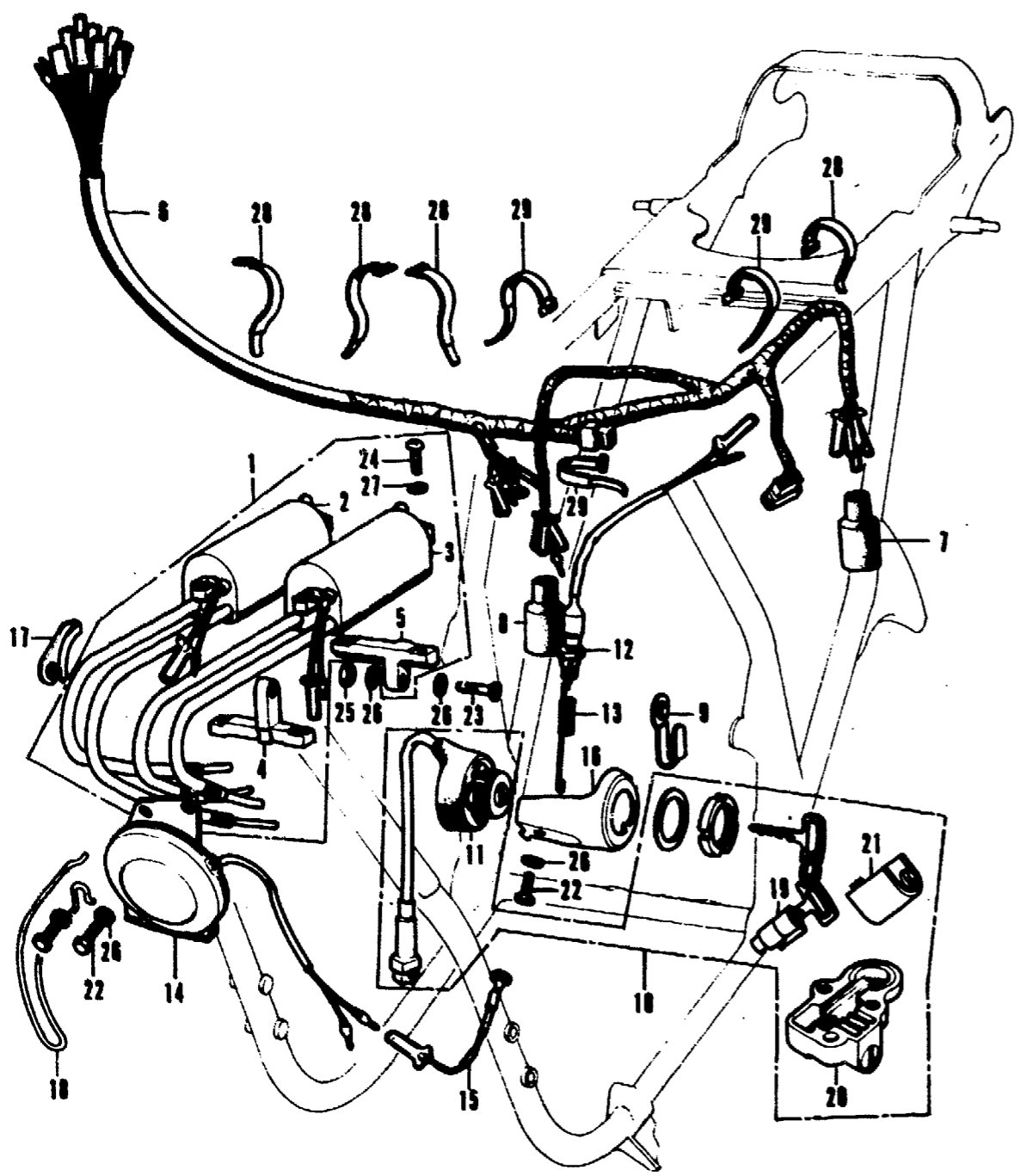
8323-00



## F-29 Wire harness

## F-29 Wire harness

Courtesy of  Honda4Fun  
www.hondafour.com www.honda4fun.com



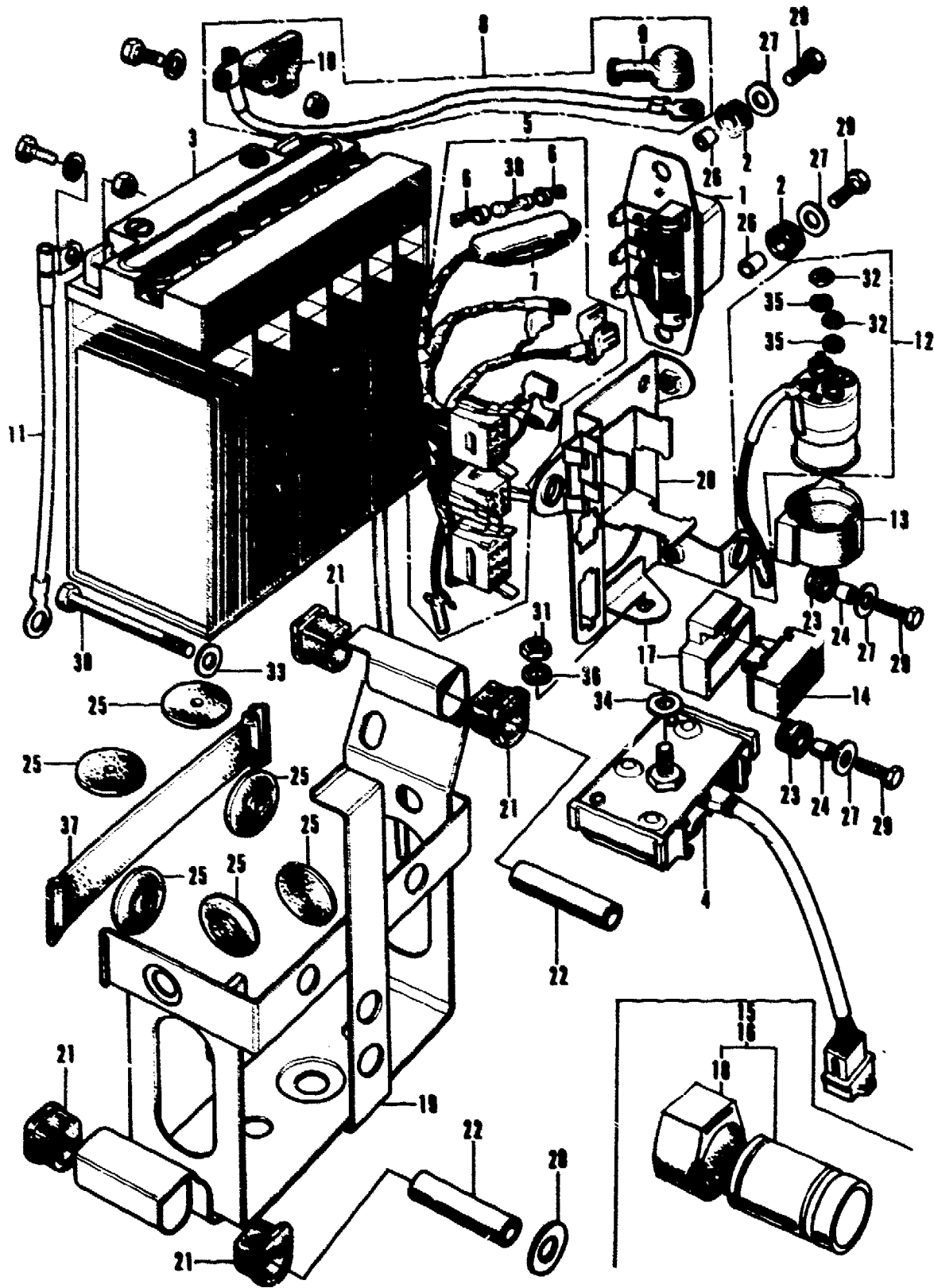
Ref. No.	Part No.	Description	Reqd. No.		Serial No.	Area code
			CB500	K1 K2		
1	30500-323-023	COIL ASSY., IGNITION	1	1 1		
2	30501-323-003	COIL, R. IGNITION	1	1 1		
3	30502-323-003	COIL, L. IGNITION	1	1 1		
4	30511-300-000	BRACKET, IGNITION COIL	1	1 1		
5	30512-323-000	BRACKET B, IGNITION COIL	1	1 1		
6	32100-323-020	HARNESS, WIRE	1			
	32100-323-040	HARNESS, WIRE		1 1		
7	32108-046-750	COVER, WIRE HARNESS CONNECTOR	1	1 1		
8	32108-323-300	COVER, WIRE HARNESS CONNECTOR	1	1 1		
9	32171-323-000	CLIP, WIRE HARNESS	1	1 1		
10	35020-323-003	SWITCH KIT, MAIN 35020-323-671	1			A>D>E>F>U
	35020-323-611	SWITCH KIT, MAIN	1			ED>G>H
	35020-323-671	SWITCH KIT, MAIN	1			A>D>E>F>U
	35020-323-612	SWITCH KIT, MAIN		1		ED>G
	35020-323-672	SWITCH KIT, MAIN		1 1		A>D>E>F
11	35100-323-003	SWITCH ASSY., COMBINATION (TOYD)	1	1 1		
12	35350-292-003	SWITCH ASSY., STOP (TOYD)	1	1 1		
13	35357-011-000	SPRING, STOP SWITCH	1	1 1		
14	38100-300-023	HORN ASSY. (MITSUBA)	1	1 1		A>D>E>G>H>U
	38100-300-621	HORN ASSY.	1	1		F
	38100-341-630	HORN ASSY.	1	1		ED
15	38105-323-000	CORD, HORN EARTH	1	1		D>E>ED>G>H>U
16	50375-323-020	BRACKET, MAIN SWITCH	1	1 1		
17	50400-323-000	PROTECTOR, IGNITION COIL WIRE	1	1 1		
18	50462-323-000	CLAMP, TACHOMETER CABLE	1	1 1		
19	53600-230-000	LOCK COMP., STEERING HANDLE (TOYD)	1	1 1		A>D>E>F>G>U
20	77230-347-003	LOCK ASSY., SEAT (TOYOSHA)	1	1		
21	77250-323-000	LOCK ASSY., SEAT	1			
22	92000-06012	BOLT, HEX., 6X12	3	3 3		
23	92000-06025	BOLT, HEX., 6X25	2	2 2		
24	93500-05020-0A	SCREW, PAN, 5X20	4	4 4		
25	94001-06000	NUT, HEX., 6MM	2	2 2		
26	94101-06000	WASHER, PLAIN, 6MM	5	5 5		
27	94111-05000	WASHER, SPRING, 5MM	4	4 4		
28	95014-61100	BAND A1, WIRE	6	6 6		
29	95014-61200	BAND A2, WIRE	3	3 3		

Courtesy of  Honda4Fun  
www.hondafour.com www.honda4fun.com

## F-30 Battery - Electric plate

## F-30 Battery - Electric plate

Courtesy of  Honda4Fun  
www.hondafour.com www.honda4fun.com



8323-73

Ref. No.	Part No.	Description	Reqd. No.		Serial No.	Area code
			CB506	K1 K2		
1	31400-300-035	REGULATOR ASSY. (HITACHI)	1	1 1		
2	31403-323-000	RUBBER, REGULATOR CUSHION	2	2 2		
3	31500-310-671	BATTERY ASSY. (12V, 12A)	1	1 1	2076726	A,H,U D,E,ED,F,G D,E,ED,F,G
	90202-22250	BATTERY, 12M12A-4A-1	1	1	2076727	D,E,ED,F,G
4	31700-323-005	RECTIFIER ASSY.	1			
	31700-323-015	RECTIFIER ASSY.	1	1		
5	32105-323-010	HARNES, SUB WIRE	1			
	32105-323-030	HARNES, SUB WIRE	1	1		
6	32112-230-000	CONNECTOR, FUSE	2	2 2		
7	32120-323-000	CASE, FUSE	1	1 1		
8	32401-323-000	CABLE, BATTERY STARTER	1	1 1		
9	32411-253-000	COVER, STARTING MOTOR TERMINAL	1	1 1		
10	32412-323-000	COVER, BATTERY TERMINAL	1	1 1		
11	32601-323-000	CABLE, BATTERY EARTH	1	1 1		
12	35850-306-670	SWITCH ASSY., STARTER MAGNETIC	1	1 1		
13	35856-323-000	SUSPENSION, MAGNETIC SWITCH	1	1 1		
14	38300-292-670	RELAY ASSY., WINKER (SIGNAL STAT)	1	1 1		A
15	38300-323-009	RELAY ASSY., WINKER	1	1		D,E,F,U
16	38300-323-611	RELAY ASSY., WINKER	1	1		ED,G,H
17	38306-107-670	SUSPENSION, WINKER RELAY	1	1 1		A
18	38306-323-000	SUSPENSION, WINKER RELAY	1	1		D,E,ED,F,G,H,U
19	50325-323-040	BOX, BATTERY	1	1 1		
20	50330-323-010	PLATE, ELECTRIC BASE	1			
	50330-323-020	PLATE, ELECTRIC BASE	1	1		
21	50331-323-000	CUSHION, BATTERY BOX	4	4 4		
22	50332-323-000	COLLAR, BATTERY BOX	2	2 2		
23	80105-061-000	CUSHION A, RR. FENDER	2	2 2		
24	80108-061-000	COLLAR A, RR. FENDER	2	2 2		
25	83618-323-000	RUBBER, BATTERY BOX	6	6 6		
26	84706-286-000	COLLAR, NUMBER BRACKET SETTING	2	2 2		
27	90581-701-000	WASHER, 18MM	4	4 4		
28	90582-703-000	WASHER, 3MM	1	1 1		
29	92000-06020	BOLT, HEX., 6X20	4	4 4		
30	92000-08065-0A	BOLT, HEX., 8X65	1	1 1		
31	94001-09000-05	NUT, HEX., 3MM	1	1 1		
32	94002-06300	NUT, HEX., 6MM	2	2 2		
33	94101-08000	WASHER, PLAIN, 8MM	1	1 1		
34	94102-08000	WASHER, PLAIN, 8MM	1	1 1		
35	94111-06000	WASHER, SPRING, 6MM	2	2 2		
36	94111-09000	WASHER, SPRING, 8MM	1	1 1		
37	95012-17000	BAND F, BATTERY	1	1 1		
38	98200-11500	FUSE A (15A)	1	1 1		

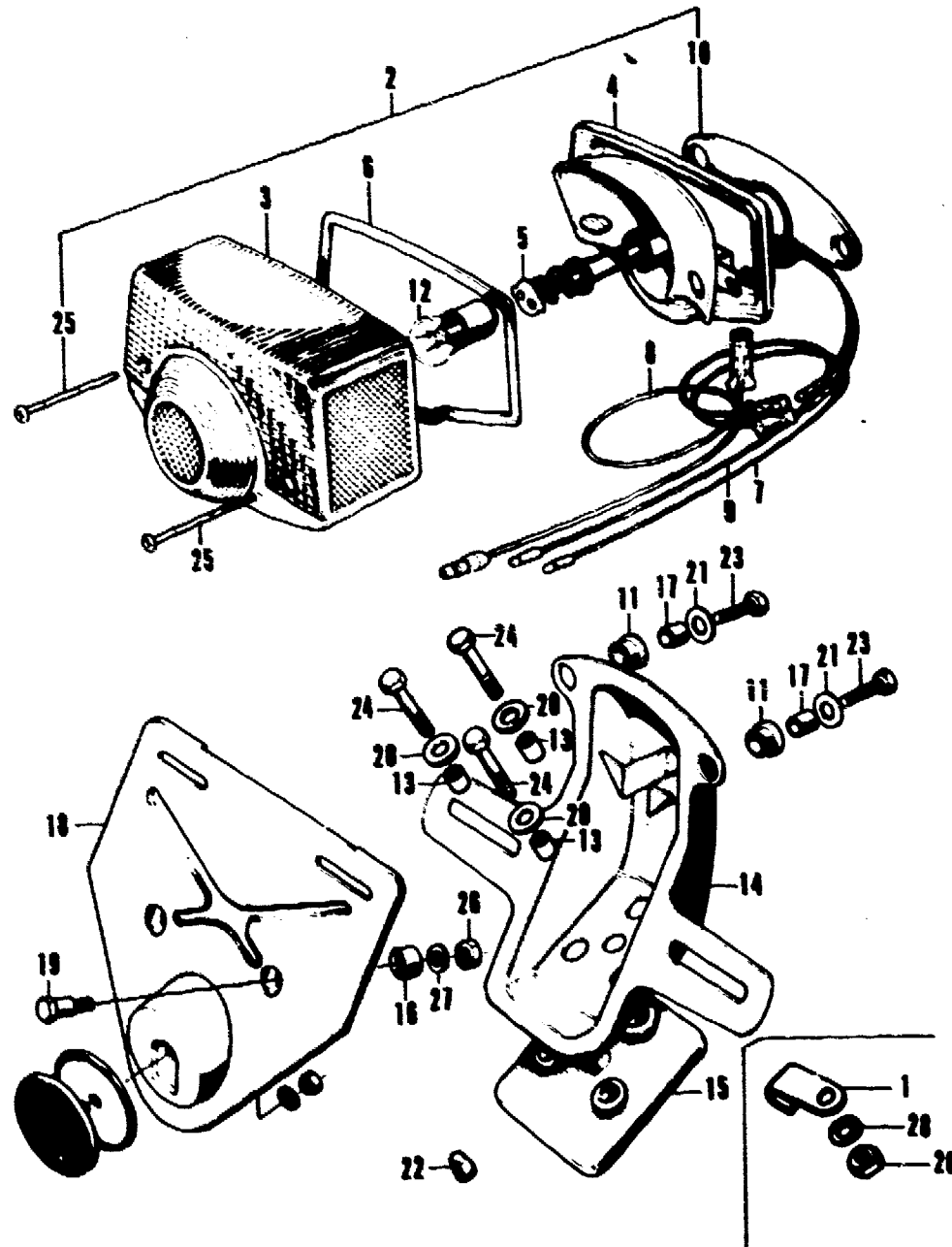
Courtesy of  Honda4Fun  
www.hondafour.com www.honda4fun.com



## F-31 Taillight

## F-31 Taillight

Courtesy of Honda4Fun  
www.hondafour.com www.honda4fun.com

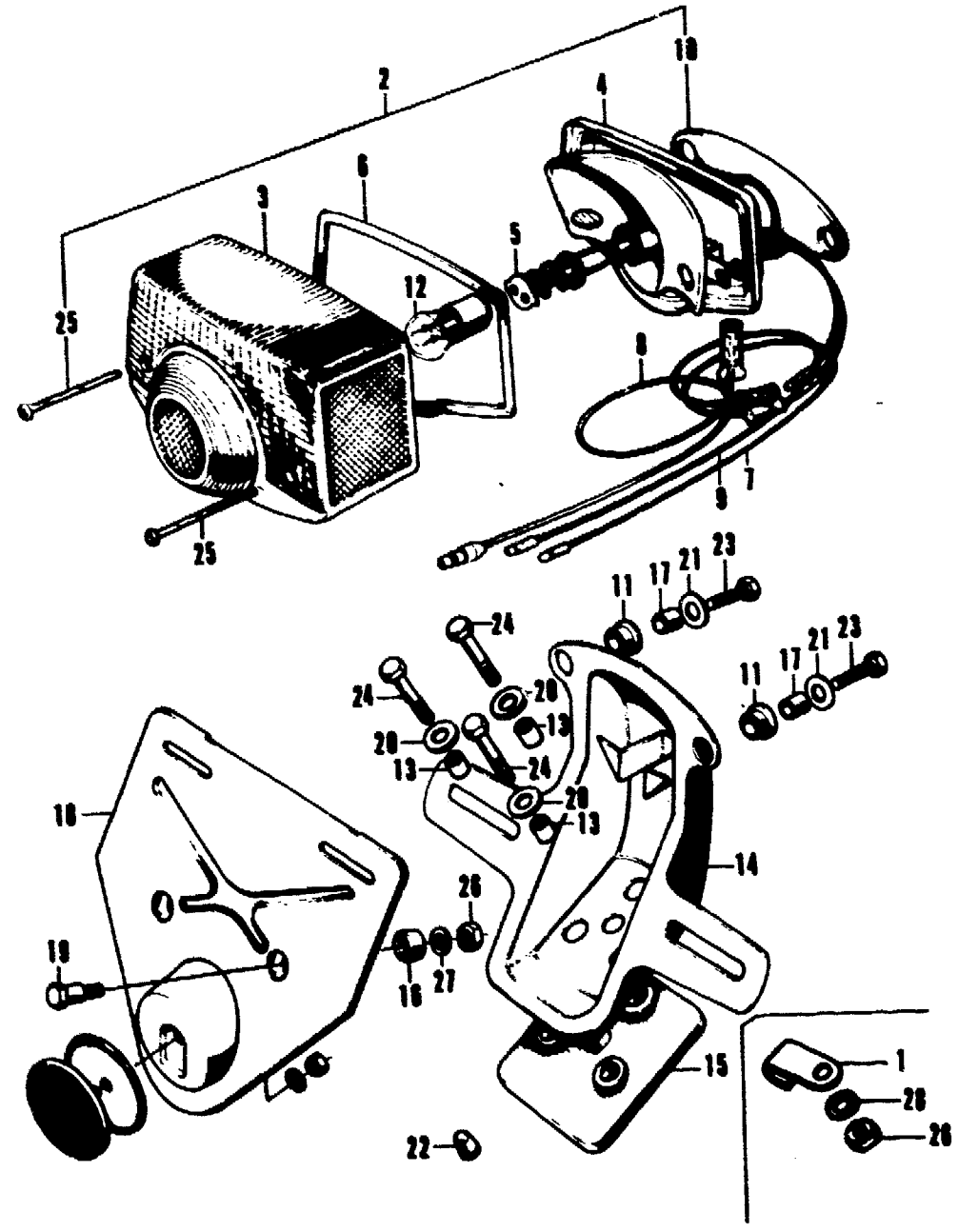


Ref. No.	Part No.	Description	Req. No.		Serial No.	Area code
			CB500	K1 K2		
1	32111-323-000	CLAMPER, CORD	1	1		A>H>U D>ED>F
2	33701-300-671	TAILLIGHT UNIT	1	1	2049708	A>F>U D>ED>F
	33701-323-631	TAILLIGHT UNIT	1	1		ED>H
	33701-323-603	TAILLIGHT UNIT (12V 21/5W)	1	1	2049709	F
3	33702-077-671	LENS, TAILLIGHT	1	1	2049708	A>F>U D>ED>F
	33702-323-631	LENS, TAILLIGHT	1	1		ED>H
	33702-323-603	LENS, TAILLIGHT	1	1	2049709	F
4	33703-077-671	BASE, TAILLIGHT	1	1		A>U D>F
	33703-303-003	BASE, TAILLIGHT	1	1		ED>H
5	33708-077-671	CORD COMP., TAILLIGHT	1	1		A>H>U D>ED>F
6	33709-077-671	PACKING, TAILLIGHT LENS	1	1		A>H>U D>ED>F
7	33711-300-000	SUB CORD, TAILLIGHT (BROWN)	1	1	2034711	A>D>ED>F>H>U D>ED>F
	33711-323-000	SUB CORD, TAILLIGHT (BROWN)	1	1	2034712	A>D>ED>F>H>U D>ED>F
8	33712-300-003	CORD, TAILLIGHT EARTH	1	1		A>H>U D>ED>F
9	33713-300-000	SUB CORD, TAILLIGHT (GREEN/YELLOW)	1	1	2034711	A>D>ED>F>H>U D>ED>F
	33713-323-000	SUB CORD, STOP LIGHT (GREEN/YELLOW)	1	1	2034712	A>D>ED>F>H>U D>ED>F
10	33718-077-671	PACKING A, TAILLIGHT BASE	1	1		A>H>U D>ED>F
11	33719-077-671	PACKING B, TAILLIGHT BASE	2	2		A>H>U D>ED>F
12	34906-268-810	BULB, TAILLIGHT (12V 23/7W)	1	1	2049708	A>F>U D>ED>F
	34906-594-602	BULB, TAIL & STOP LIGHT (12V 21/5W)	1	1	2049709	ED>H F
13	80108-061-000	COLLAR A, RR. FENDER	3	3		A>H>U D>ED>F
14	84701-300-020XW	BRACKET, NUMBER PLATE	1	1		ED>F>H
	84701-300-672XW	BRACKET, NUMBER PLATE	1	1		A>U D
15	84702-300-010	SEAT, NUMBER PLATE BRACKET	1	1		A>H>U D>ED>F
16	84705-300-620	RUBBER, NUMBER PLATE SET	2	2		F
17	84706-286-000	COLLAR, NUMBER BRACKET SETTING	2	2		A>D>ED>F>H>U
	84706-341-000	COLLAR, NUMBER PLATE BRACKET	2	2		D>ED>F
18	84710-300-620	PLATE, NUMBER PLATE BACK	1	1		F

# F 8

## F-31 Tailight

## F-31 Tailight



Ref. No.	Part No.	Description	Reqd. No.		Serial No.	Area code
			CB500	K1 K2		
19	90162-292-670	BOLT, FR. FENDER SETTING	2	2		F
20	90581-701-000	WASHER, 18MM	3	3	2034711	A,D,ED,F,H,U D,ED,F
	94101-08000	WASHER, PLAIN, 8MM	3	3	2034712	D,ED,F
21	90581-831-650	WASHER, 18MM	2			A,D,ED,F,H,U
	90581-310-000	WASHER, PLAIN, 20MM	2			D,ED,F
22	90899-283-000	PLUG, CONE	1	1		A,H,U D,ED,F
23	92000-05020-08	BOLT, HEX., 5X20	2	2		A,H,U D,ED,F
24	92000-06020	BOLT, HEX., 6X20	3	3	2034711	A,D,ED,F,H,U D,ED,F
	90162-283-000	BOLT, RR. FENDER SETTING	3	3	2034712	D,ED,F
25	93500-04C50-4J	SCREW, PAN, 4X50	2	2		A,H,U D,ED,F
26	94001-06000	NUT, HEX., 6MM	2	2		A,H,U D,ED,F
27	94101-06000	WASHER, PLAIN, 6MM	2	2		F
28	94111-06000	WASHER, SPRING, 6MM	1	1		A,H,U D,ED,F

8300-78A

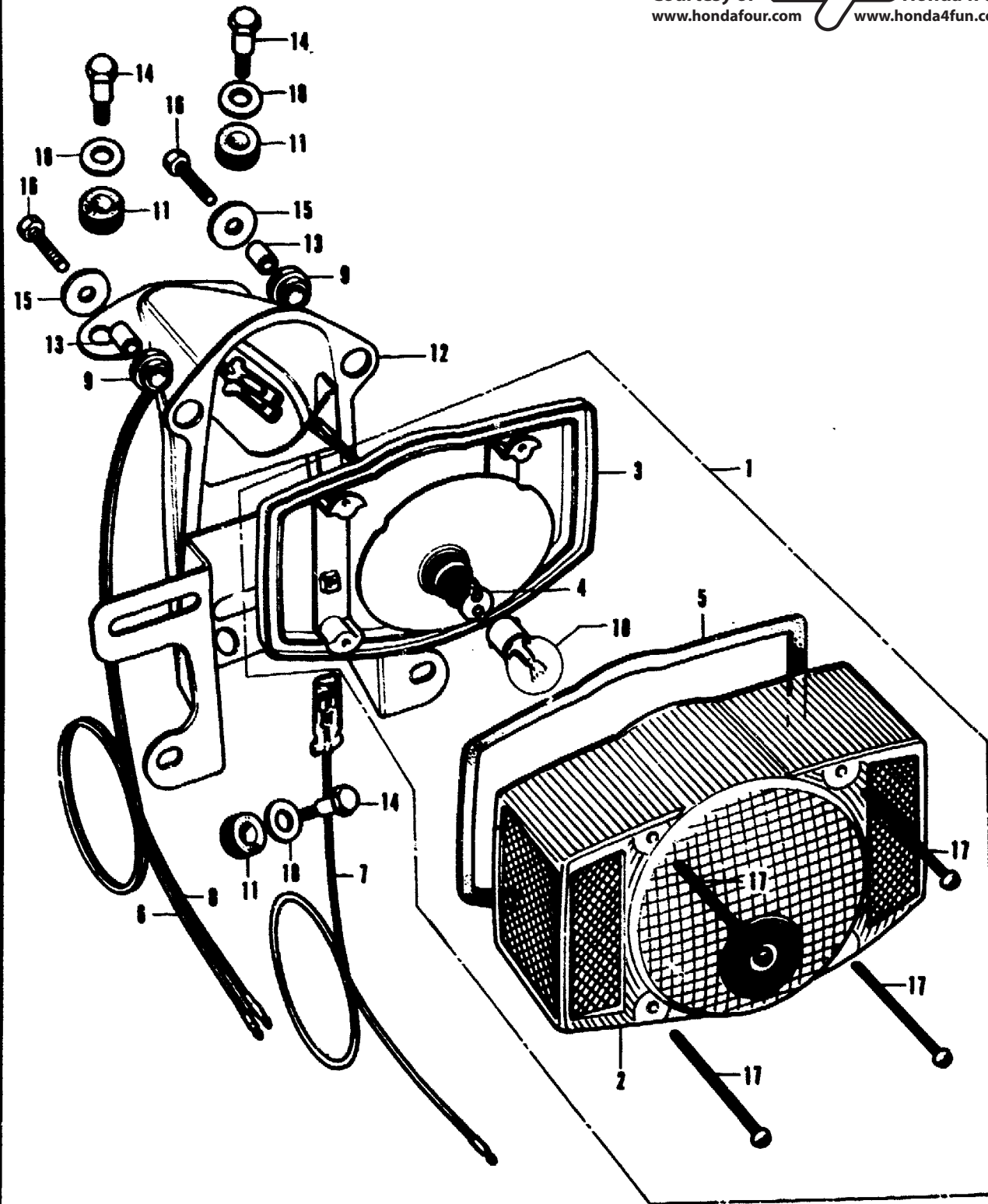


F-32 Taillight (CB500K1, K2-A)



F-32 Taillight (CB500K1, K2-A)

Courtesy of  Honda4Fun  
www.hondafour.com www.honda4fun.com



Ref. No.	Part No.	Description	Reqd. No.		Serial No.	Area code
			CB500	K1 K2		
1	33701-341-671	TAILLIGHT UNIT	1	1		A
2	33702-341-671	LENS, TAILLIGHT	1	1		A
3	33703-341-671	BASE COMP., TAILLIGHT	1	1		A
4	33708-341-671	CORD COMP., TAILLIGHT	1	1		A
5	33709-341-671	PACKING, TAILLIGHT LENS	1	1		A
6	33711-300-000	SUB CORD, TAILLIGHT (BROWN)	1		2034711	A
	33711-323-000	SUB CORD, TAILLIGHT (BROWN)	1	1	2034712	A
7	33712-300-003	CORD, TAILLIGHT EARTH	1	1		A
8	33713-300-000	SUB CORD, TAILLIGHT (GREEN/YELLOW)	1		2034711	A
	33713-323-000	SUB CORD, STOP LIGHT (GREEN/YELLOW)	1	1	2034712	A
9	33719-077-671	PACKING B, TAILLIGHT BASE	2	2		A
10	34906-341-671	BULB, TAILLIGHT (12V 32/3CP)	1	1		A
11	80101-283-000	RUBBER, RR. FENDER CUSHION	4	4		A
12	84701-341-670XW	BRACKET, NUMBER PLATE	1	1		A
13	84706-341-000	COLLAR, NUMBER PLATE BRACKET	2	2		A
14	90162-292-000	BOLT, FR. FENDER SETTING	4	4		A
15	90581-310-000	WASHER, PLAIN, 20MM	2	2		A
16	92000-05020-08	BOLT, HEX., 5X20	2	2		A
17	93500-04055-4J	SCREW, PAN, 4X55	4	4		A
18	94101-08200	WASHER, PLAIN, 8MM	4	4		A

300-76A

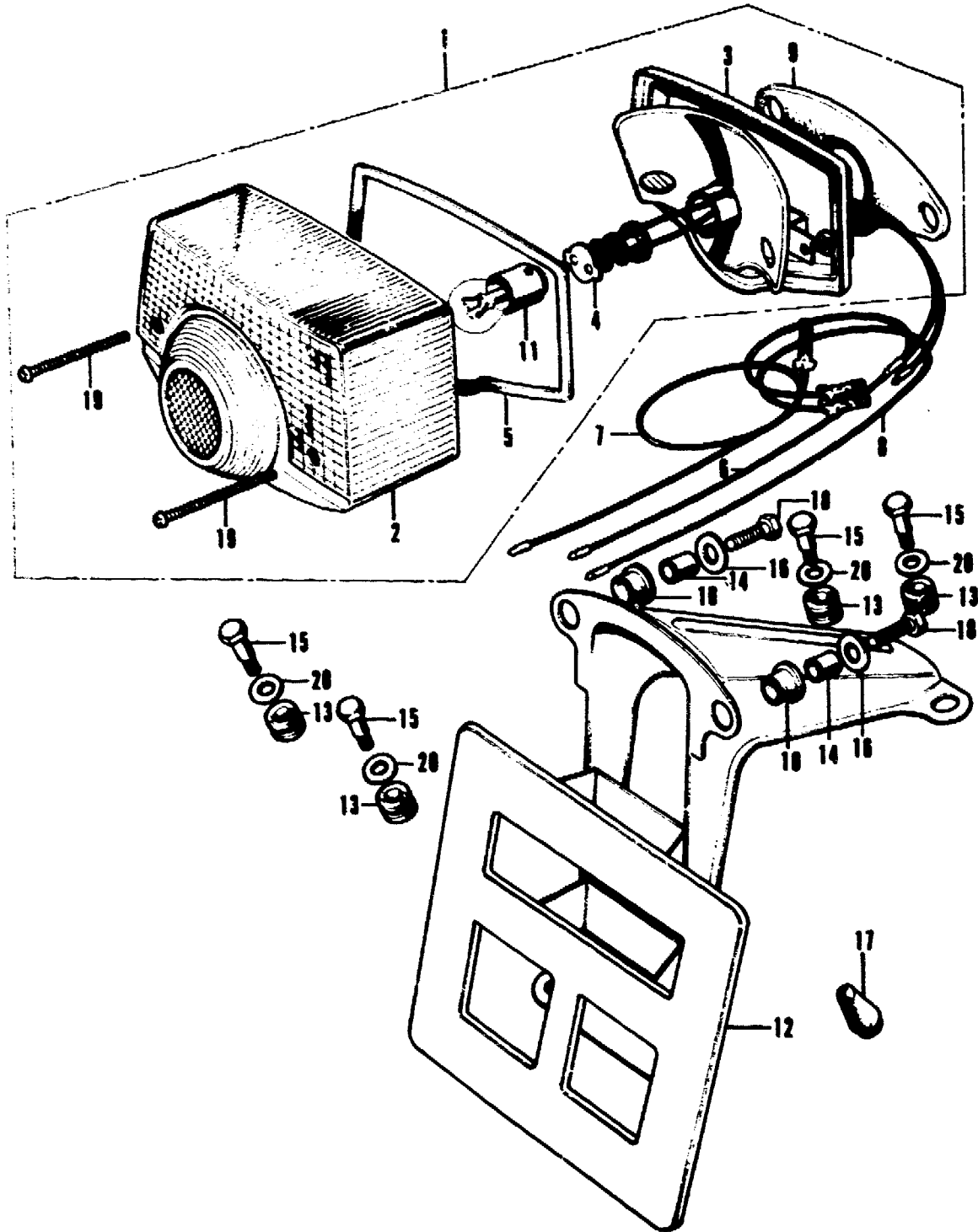
Courtesy of  Honda4Fun  
www.hondafour.com www.honda4fun.com

# F 10

## F-33 Taillight (E)

## F-33 Taillight (E)

Courtesy of  Honda4Fun  
www.hondafour.com www.honda4fun.com



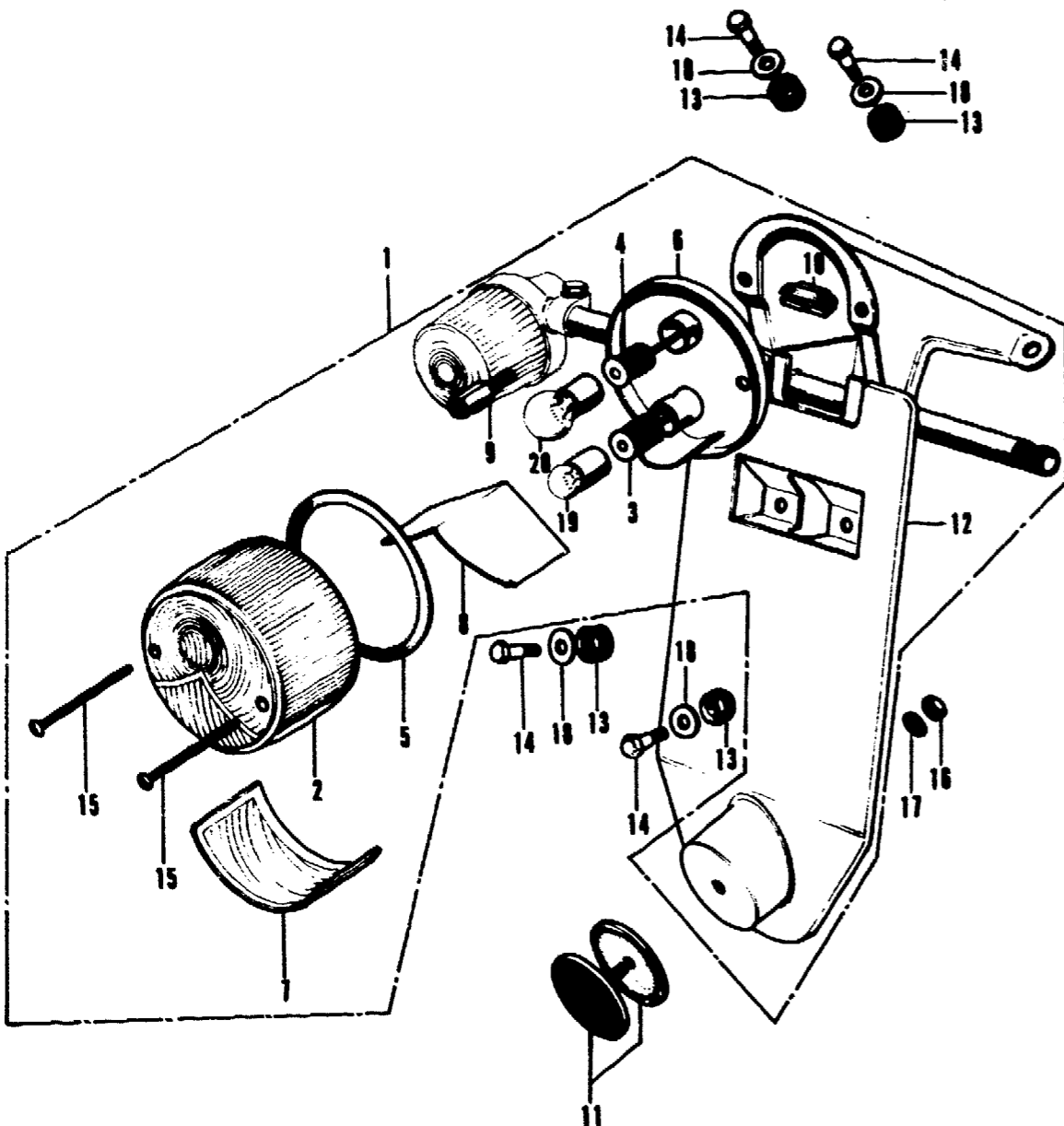
Ref. No.	Part No.	Description	Req. No.		Serial No.	Area code
			CBS0	K1 K2		
1	33701-323-602	TAILLIGHT UNIT 33701-323-603	1			E
	33701-323-603	TAILLIGHT UNIT (12V 21/5W)	1			E
2	33702-323-602	LENS, TAIL LIGHT 33702-323-603	1			E
	33702-323-603	LENS, TAILLIGHT	1			E
3	33703-077-671	BASE, TAILLIGHT	1	1		E
4	33708-077-671	CORD COMP., TAILLIGHT	1	1		E
5	33709-077-671	PACKING, TAILLIGHT LENS	1	1		E
6	33711-300-000	SUB CORD, TAILLIGHT (BROWN)	1	1		E
7	33712-300-003	CORD, TAILLIGHT EARTH	1	1		E
8	33713-300-000	SUB CORD, TAILLIGHT (GREEN/YELLOW)	1	1		E
9	33718-077-671	PACKING A, TAILLIGHT BASE	1	1		E
10	33719-077-671	PACKING B, TAILLIGHT BASE	2	2		E
11	34906-594-602	BULB, TAIL & STOP LIGHT (12V 21/5W)	1	1		E
12	84701-323-6008	BRACKET, NUMBER PLATE	1	1		E
13	84705-292-000	RUBBER, NUMBER BRACKET CUSHION	4	4		E
14	84706-286-000	COLLAR, NUMBER BRACKET SETTING	2	2		E
15	90162-292-000	BOLT, FR. FENDER SETTING	4	4		E
16	90581-831-650	WASHER, 18MM	2	2		E
17	90899-323-610	PLUG, CONE	1	1		E
18	92000-05020-08	BOLT, HEX., 5X20	2	2		E
19	93500-04050-08	SCREW, PAN, 4X50	2	2		E
20	94101-09200	WASHER, PLAIN, 8MM	4	4		E

B323-76

Courtesy of  Honda4Fun  
www.hondafour.com www.honda4fun.com

## F-34 Taillight (G)

## F-34 Taillight (G)

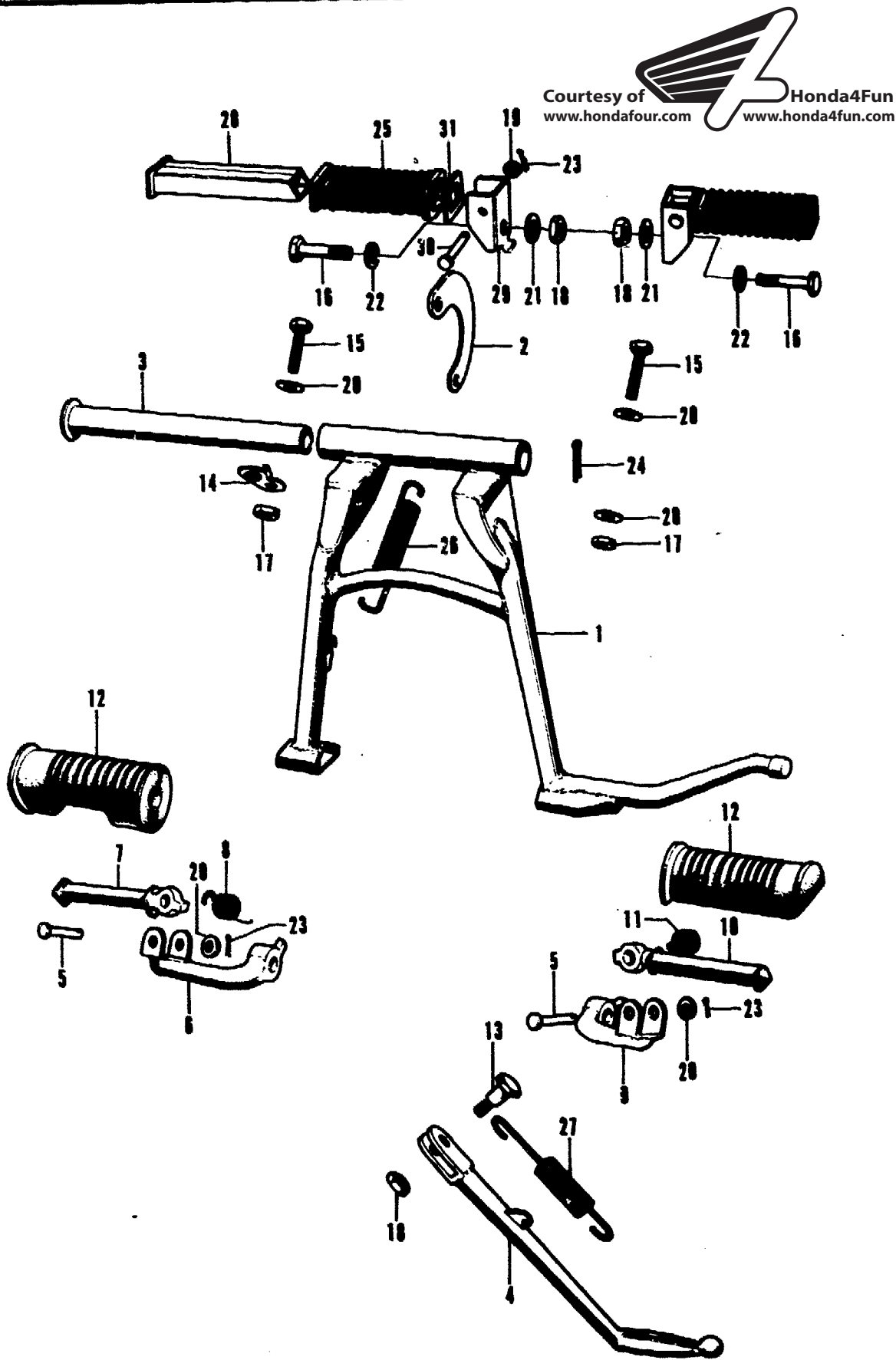


Ref. No.	Part No.	Description	Reqd. No.		Serial No.	Area code
			CB500	K1 K2		
1	33700-323-610	TAILLIGHT ASSY. 33700-323-611	1			G
	33700-323-611	TAILLIGHT ASSY.		1		G
2	33701-051-000	LENS, TAIL & STOP LIGHT	1	1		G
3	33707-300-610	CORD COMP., TAILLIGHT	1	1		G
4	33708-300-610	CORD, STOP LIGHT	1	1		G
5	33709-051-000	PACKING, TAILLIGHT LENS	1	1		G
6	33710-300-610	SOCKET COMP., TAILLIGHT	1	1		G
7	33715-051-000	LENS, LICENSE	1	1		G
8	33716-051-000	PLATE, INTERCEPTION	1	1		G
9	33717-292-610	BOLT, TAILLIGHT SETTING	2	2		G
10	33722-323-610	GROMMET, RR. WINKER CORD	1	1		G
11	33741-292-610	REFLECTOR, REFLEX	1	1		G
12	84701-323-610B	BRACKET, NUMBER PLATE	1	1		G
13	84705-292-000	RUBBER, NUMBER BRACKET CUSHION	4	4		G
14	90162-292-000	BOLT, FR. FENDER SETTING	4	4		G
15	93500-03045-08	SCREW, PAN, 3X45	2	2		G
16	94001-05000-05	NUT, HEX., 5MM	1	1		G
17	941C1-05000	WASHER, PLAIN, 5MM	1	1		G
18	94101-C8200	WASHER, PLAIN, 8MM	4	4		G
19		BULB, TAILLIGHT (LOCAL PROCUREMENT)	1	1		G
20		BULB, STOP LIGHT (LOCAL PROCUREMENT)	1	1		G



## F-35 Main stand - Step

## F-35 Main stand - Step



Ref. No.	Part No.	Description	Reqd. No.		Serial No.	Area code
			CB500	K1 K2		
1	50500-323-0008	STAND COMP., MAIN	1	1	1	
2	50523-300-010	PLATE, MAIN STAND SPRING	1	1	1	
3	50526-300-000	PIPE, MAIN STAND PIVOT	1	1	1	
4	50530-323-0008	BAR, SIDE STAND	1	1	1	
5	50603-033-000	PIN, STEP BAR JOINT	2	2	2	
6	50615-323-6708	BAR COMP., R. STEP	1	1	1	
7	50616-323-6708	ARM COMP., R. STEP	1	1	1	
8	50617-283-000	SPRING, R. STEP RETURN	1	1	1	
9	50641-323-6708	BAR COMP., L. STEP	1	1	1	
10	50642-323-6708	ARM COMP., L. STEP	1	1	1	
11	50644-283-000	SPRING, L. STEP RETURN	1	1	1	
12	50661-310-000	RUBBER, STEP	2	2	2	
13	90108-283-000	SCREW, SIDE STAND PIVOT	1	1	1	
14	90514-323-000	WASHER, BATTERY BREATHER TUBE GUIDE	1	1	1	
15	92000-08040-0A	BOLT, HEX., 8X40	2	2	2	
16	92000-10035-0A	BOLT, HEX., 10X35	2	2	2	
17	94001-08000-05	NUT, HEX., 8MM	2	2	2	
18	94001-10000-05	NUT, HEX., 10MM	3	3	3	
19	94101-06000	WASHER, PLAIN, 6MM	2	2	2	
20	94101-08000	WASHER, PLAIN, 8MM	5	5	5	
21	94101-10000	WASHER, PLAIN, 10MM	2	2	2	
22	94111-10000	WASHER, SPRING, 10MM	2	2	2	
23	94201-16150	PIN, SPLIT, 1.6X15	4	4	4	
24	94201-25250	PIN, SPLIT, 2.5X25	1	1	1	
25	95011-31000	RUBBER A, PILLION STEP	2	2	2	
26	95014-71700	SPRING G, MAIN STAND	1	1	1	
27	95014-72401	SPRING D, SIDE STAND	1	1	1	
28	95015-62000	BAR B, PILLION STEP	2	2	2	
29	95015-72100	BRACKET B, PILLION STEP	2	2	2	
30	95015-82000	PIN B, PILLION STEP	2	2	2	
31	95015-91000	WASHER, PILLION STEP	2	2	2	

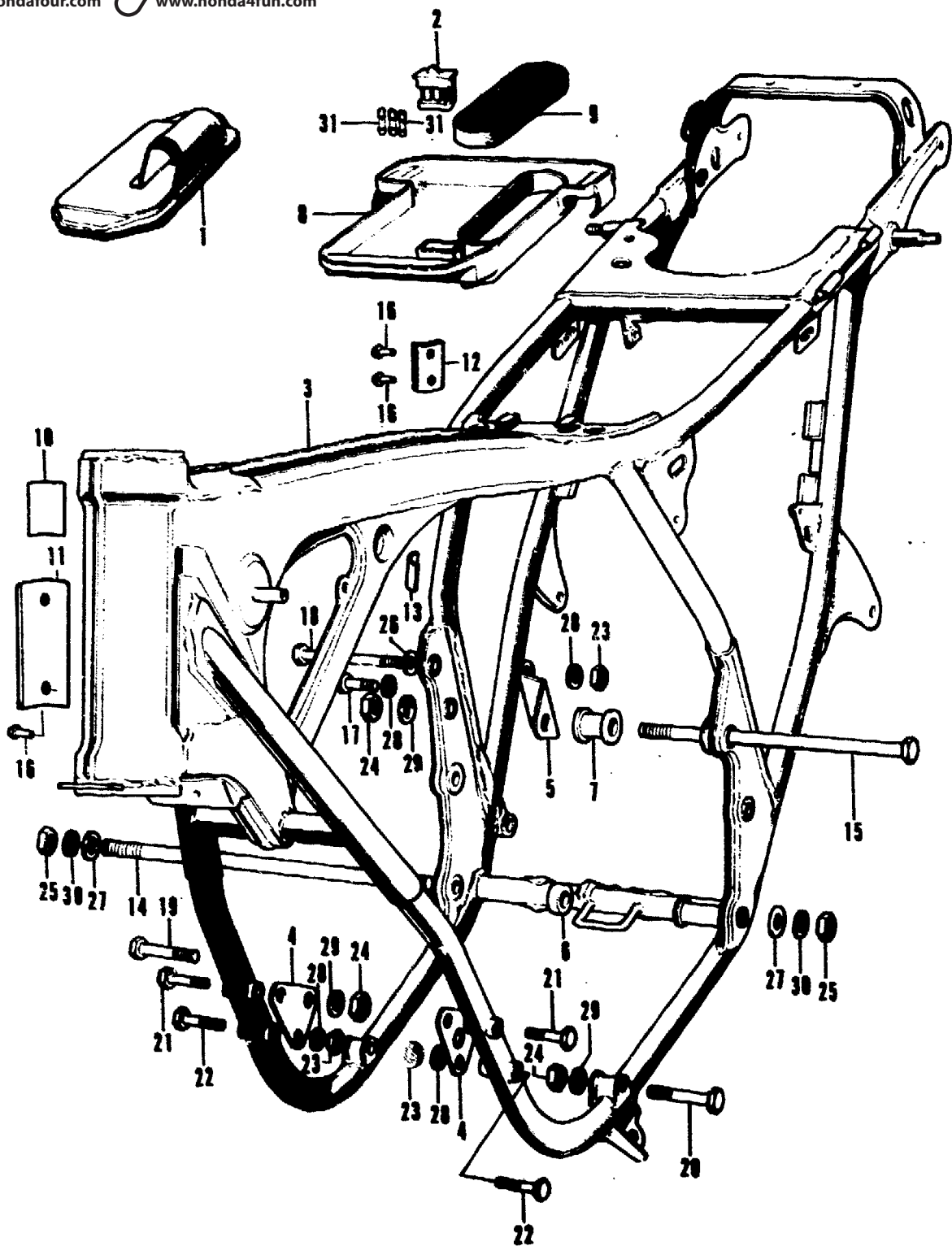
8323-79

Courtesy of  Honda4Fun  
www.honda4fun.com

## F-36 Frame body

## F-36 Frame body

Courtesy of Honda4Fun  
www.hondafour.com www.honda4fun.com

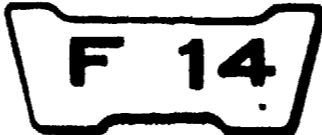


Ref. No.	Part No.	Description	Reqd. No.		Serial No.	Area code
			CB500	K1 K2		
1	17340-323-610	DUCT ASSY., AIR CLEANER	1	1		ED,G,H
2	38205-323-000	CASE, FUSE	1	1 1		
3	50100-323-130B	BODY COMP., FRAME 50100-323-140B	1			D,E,U
	50100-323-610B	BODY COMP., FRAME 50100-323-611B	1			ED,G,H
	50100-323-621B	BODY COMP., FRAME 50100-323-622B	1			F
	50100-323-673B	BODY COMP., FRAME 50100-323-674B	1			A
	50100-323-140B	BODY COMP., FRAME		1		D,E
	50100-323-611B	BODY COMP., FRAME		1		ED,G
	50100-323-622B	BODY COMP., FRAME		1		F
	50100-323-674B	BODY COMP., FRAME		1 1		A
4	50351-323-010B	BRACKET, FR. ENGINE HANGER	2	2 2		
5	50356-323-010B	BRACKET, RR. ENGINE HANGER	1	1 1		
6	50357-323-010	COLLAR, R. ENGINE UNDER SIDE	1	1 1		
7	50359-323-010	COLLAR, L. ENGINE UPPER	1	1 1		
8	83501-323-020	TRAY, TOOL	1	1 1		
9	83502-323-000	NET COMP., TOOL TRAY	1	1 1		A,D,E,F,U
10	87125-041-680	PLATE, NAME	1	1		D,E,U
11	87501-323-610	PLATE, REGISTERED NUMBER	1	1		G
	87501-323-630	PLATE, REGISTERED NUMBER	1	1		ED,H
12	87501-323-620	PLATE, REGISTERED NUMBER	1	1		F
13	87506-323-010	MARK, BATTERY CAUTION	1	1 1		
14	9C107-323-000	BOLT, RR. ENGINE HANGER LOWER	1	1 1		
15	90108-323-000	BOLT, RR. ENGINE UPPER	1	1 1		
16	90841-001-000	SCREW, RIVET, 1.5X5	2	2 2		ED,F,G,H
17	92000-08040-0A	BOLT, HEX., 8X40	1	1 1		
18	92000-08100-0A	BOLT, HEX., 8X100	1	1 1		
19	92200-10050-0A	BOLT, HEX., 10X50	2	2 2		
20	92200-10080-0A	BOLT, HEX., 10X80	2	2 2		
21	93000-08050-0A	BOLT, HEX., 8X50	2	2 2		
22	93000-08055-0A	BOLT, HEX., 8X55	2	2 2		
23	94001-08000-05	NUT, HEX., 8MM	5	5 5		
24	94030-10000	NUT, HEX., 10MM	5	5 5		
25	94030-12000	NUT, HEX., 12MM	2	2 2		
26	94101-08000	WASHER, PLAIN, 8MM	2	2 2		
27	94101-12000	WASHER, PLAIN, 12MM	2	2 2		
28	94111-08000	WASHER, SPRING, 8MM	6	6 6		
29	94111-10000	WASHER, SPRING, 10MM	5	5 5		
30	94111-12000	WASHER, SPRING, 12MM	2	2 2		
31	98200-11500	FUSE A (15A)	3	3 3		

8323-80A

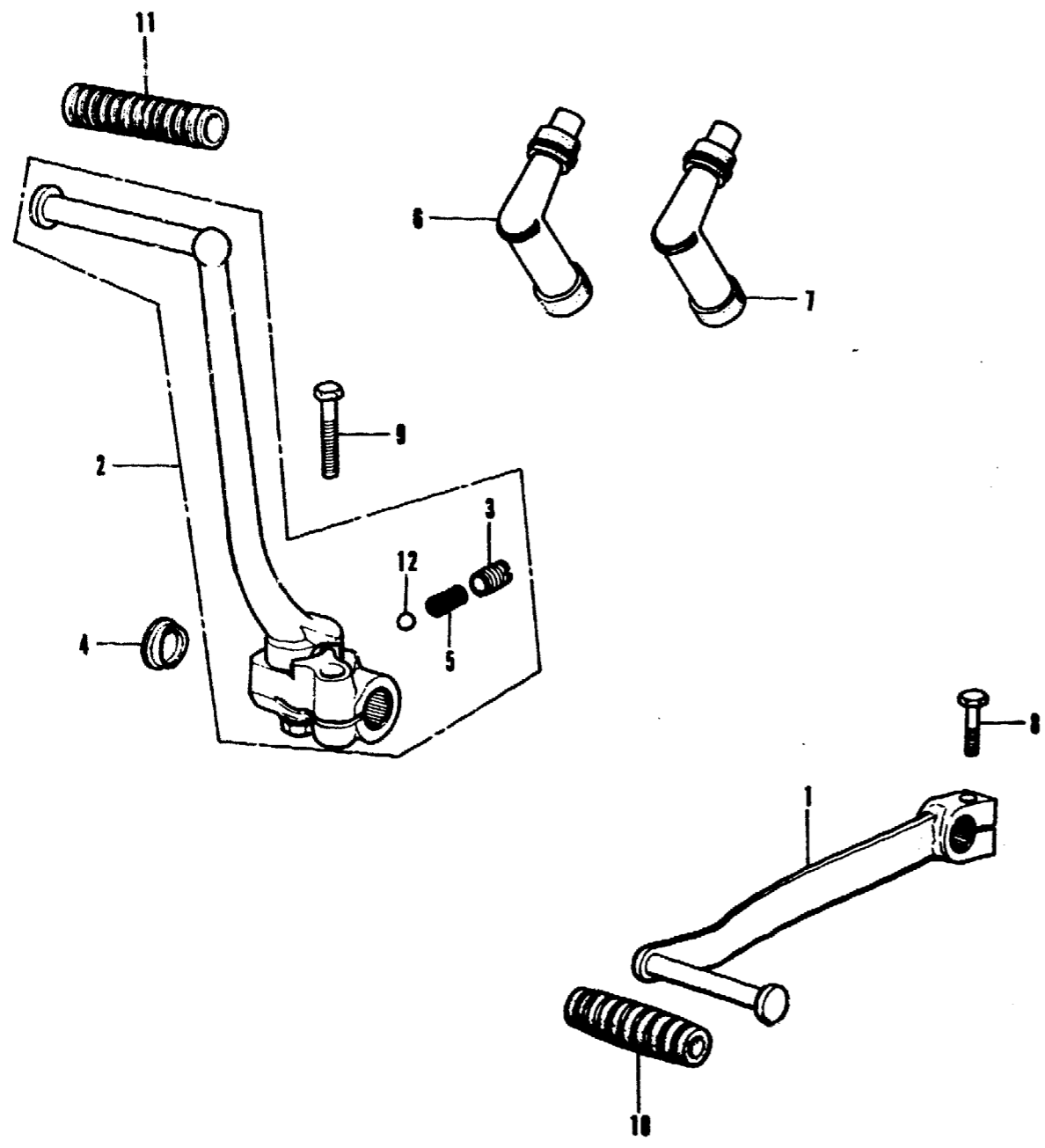
Courtesy of Honda4Fun  
www.hondafour.com www.honda4fun.com

F-37 Kick arm - Change pedal



F-37 Kick arm - Change pedal

Courtesy of  Honda4Fun  
www.hondafour.com www.honda4fun.com



Ref. No.	Part No.	Description	Reod. No.		Serial No.	Area code
			CB500	K1 K2		
1	24700-323-010	PEDAL, GEAR CHANGE	1	1 1		
2	28300-323-010	ARM COMP., KICK STARTER	1	1 1	2060565	
	28300-374-000	ARM ASSY., KICK STARTER	1	1	2060566	
3	28303-310-010	BOLT, KICK ARM	1	1 1		
4	28305-310-000	CAP, KICK STARTER ARM	1	1 1		
5	28333-310-000	SPRING, KICK STARTER STOPPER	1	1 1		
6	30700-300-010	CAP ASSY. A, NOISE SUPPRESSER	2	2 2		A,D,U
	30700-300-620	CAP ASSY. A, NOISE SUPPRESSER 30700-341-620	2	2	2015251	E,ED,F,G,H E,ED,F,G
	30700-341-620	CAP ASSY. A, NOISE SUPPRESSER	2	2	2015252	E,ED,F,G
7	30701-323-013	CAP ASSY. C, NOISE SUPPRESSOR	2	2 2		A,D,U
	30701-323-620	CAP ASSY. B, NOISE SUPPRESSER 30701-323-621	2	2		E,ED,F,G,H
	30701-323-621	CAP ASSY. B, NOISE SUPPRESSER 30701-323-622	2	2	2031242	E,ED,F,G
	30701-323-622	CAP ASSY. C, NOISE SUPPRESSER	2	2	2031243	E,ED,F,G
8	92000-06020	BOLT, HEX., 6X20	1	1 1		
9	93200-09032-0A	BOLT, HEX., 8X32	1	1 1		
10	95011-40000	RUBBER, CHANGE PEDAL	1	1 1		
11	95011-52000	RUBBER B, KICK STARTER	1	1	2060565	
	28311-329-000	RUBBER, KICK STARTER	1	1	2060566	
12	96211-10000	BALL, STEEL, #10 (5/16)	1	1 1		

B323-107

Courtesy of  Honda4Fun  
www.hondafour.com www.honda4fun.com



# F 15

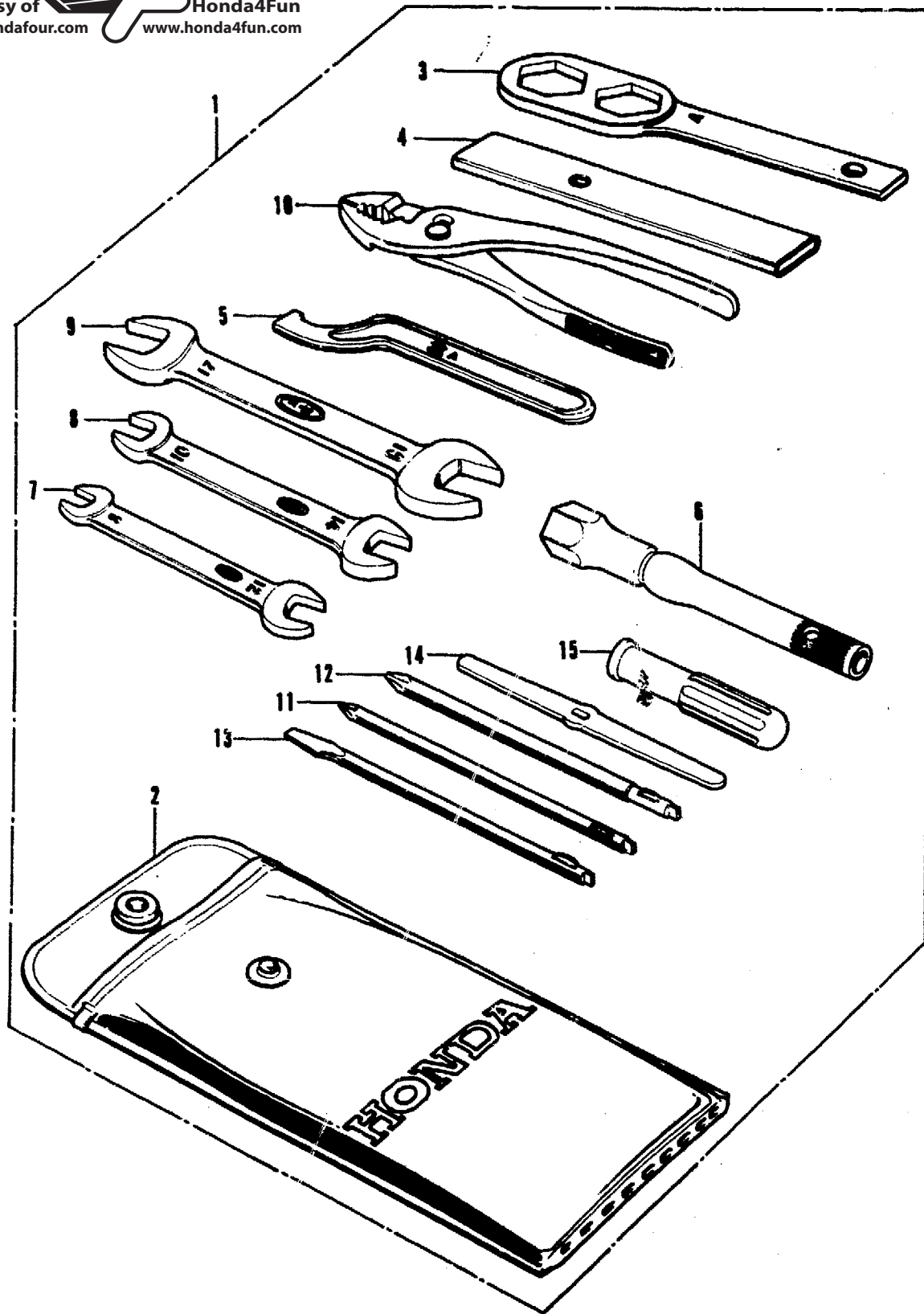
**F-38 Tool (CB500-**

**~2034711)**

**F-38 Tool (CB500-**

**~2034711)**

Courtesy of  Honda4Fun  
www.hondafour.com www.honda4fun.com

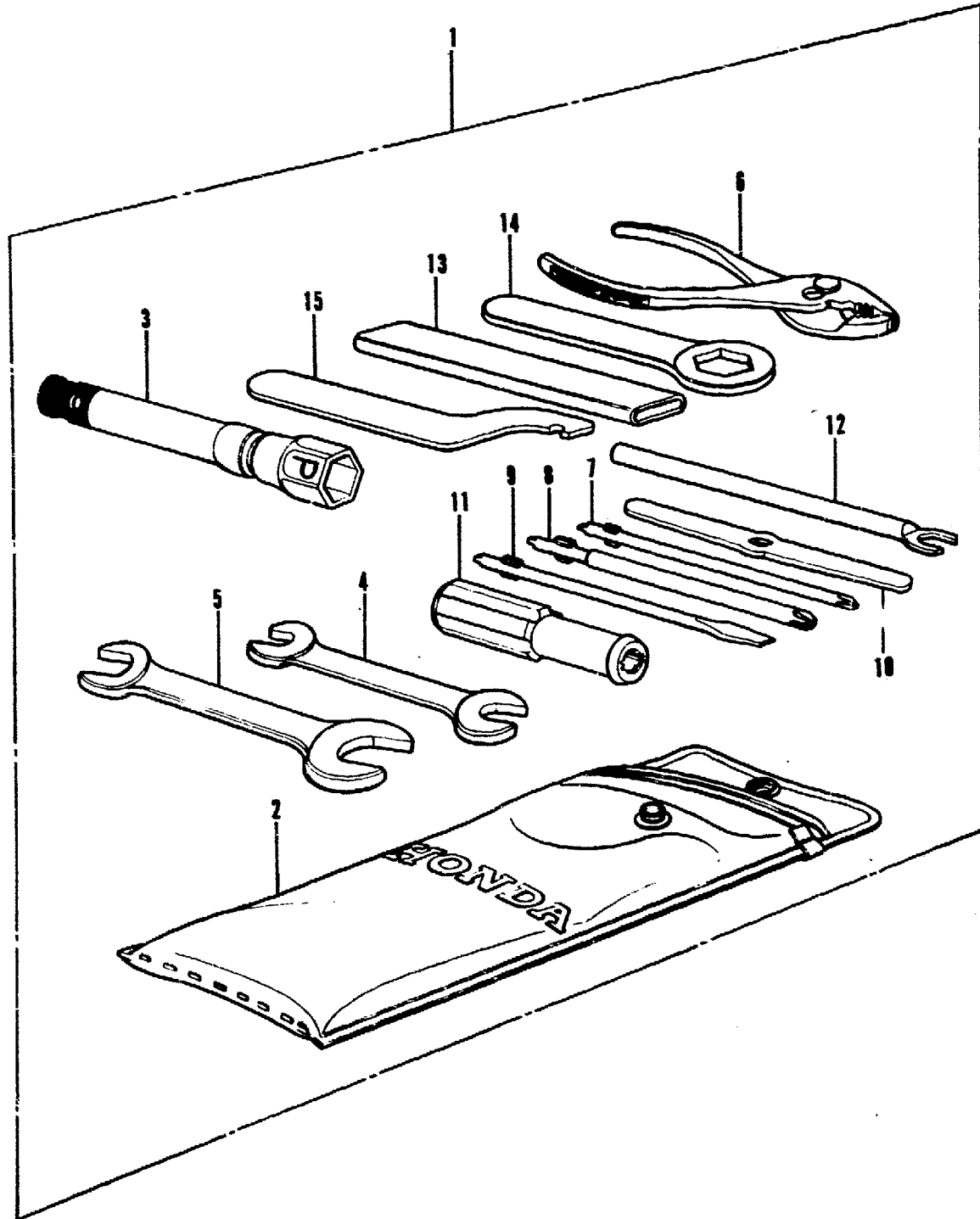


Ref. No.	Part No.	Description	Reqd. No.		Serial No.	Area code
			CB500	K1 K2		
1	89010-323-000	TOOL SET 89010-323-010	1	1	2034711	
2	89101-300-010	BAG, TOOL	1	1	2034711	
3	89202-283-000	WRENCH, AXLE	1	1	2034711	
4	89203-283-000	ARM, AXLE WRENCH	1	1	2034711	
5	89206-283-000	SPANNER, PIN, 45MM	1	1	2034711	
6	89216-323-000	WRENCH, SPARK PLUG	1	1	2034711	
7	99001-08120	SPANNER, 8X12	1	1	2034711	
8	99001-10140	SPANNER, 10X14	1	1	2034711	
9	99001-17190	SPANNER, 17X19	1	1	2034711	
10	99002-15000	PLIERS, 150	1	1	2034711	
11	99003-10000	DRIVER 2, PLUS SCREW	1	1	2034711	
12	99003-20000	DRIVER 3, PLUS SCREW	1	1	2034711	
13	99003-30000	DRIVER 2, MINUS SCREW	1	1	2034711	
14	99003-40000	LEVER	1	1	2034711	
15	99003-50000	GRIP	1	1	2034711	

8323-81

Courtesy of  Honda4Fun  
www.hondafour.com www.honda4fun.com

Courtesy of  Honda4Fun  
www.hondafour.com www.honda4fun.com



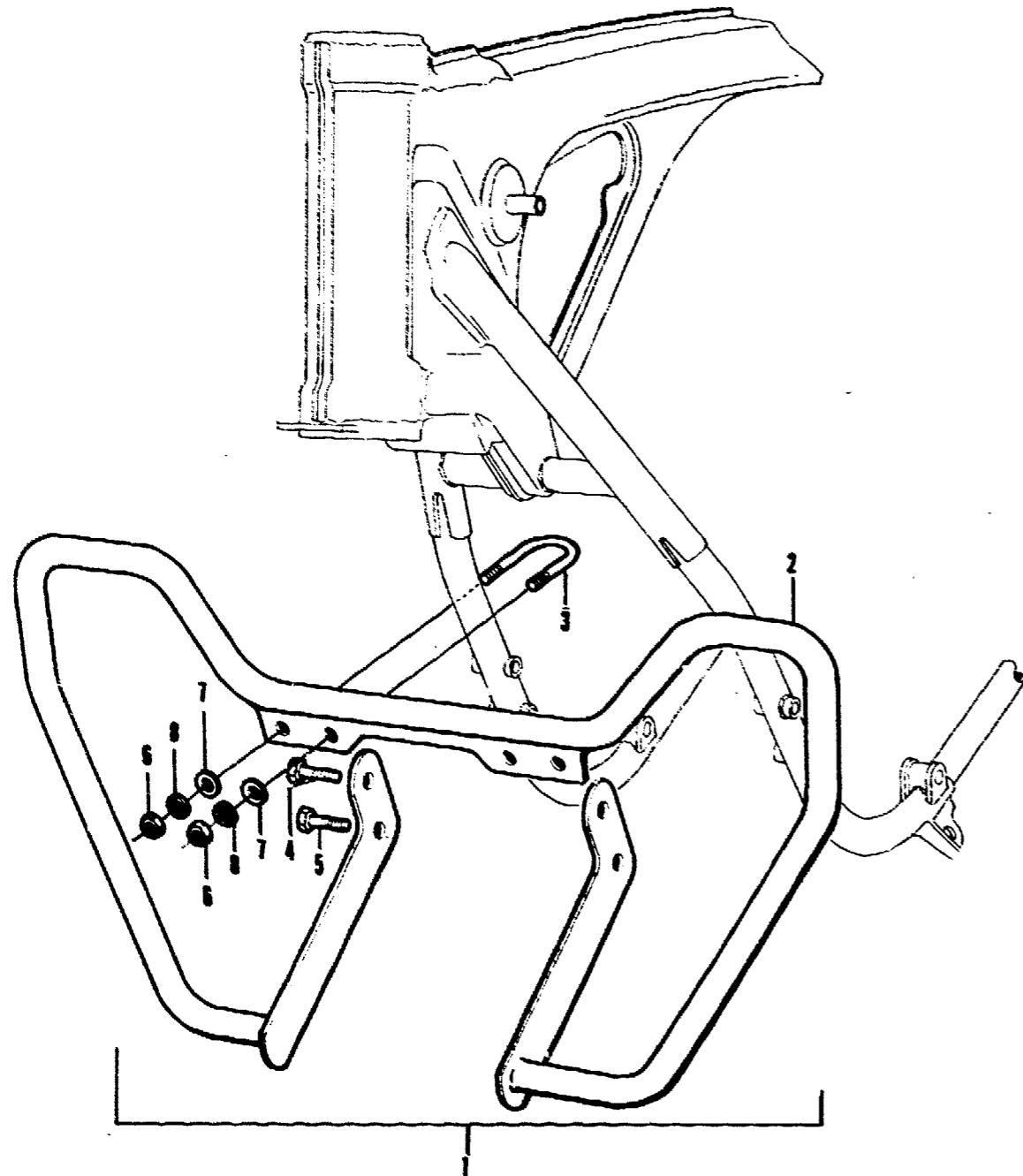
Ref. No.	Part No.	Description	Reqd. No.		Serial No.	Area code
			CB500	K1 K2		
1	89010-323-010	TOOL SET	1	1	2034712	
2	89101-300-010	BAG, TOOL	1	1	2034712	2064428 D>E>ED>F>G A
	99008-02000	BAG, TOOL, 200MM	1	1	2064429	D>E>ED>F>G
3	89215-323-000	WRENCH, SPARK PLUG	1	1	2034712	
4	99001-10120	SPANNER, 10X12	1	1	2034712	
5	99001-14170	SPANNER, 14X17	1	1	2034712	
6	99002-13500	PLIERS, 135	1	1	2034712	
7	99003-10000	DRIVER 2, PLUS SCREW	1	1	2034712	
8	99003-20000	DRIVER 3, PLUS SCREW	1	1	2034712	
9	99003-30000	DRIVER 2, MINUS SCREW	1	1	2034712	
10	99003-40000	LEVER	1	1	2034712	
11	99003-50000	GRIP	1	1	2034712	
12	99005-02000	BAR B, HANDLE	1	1	2034712	
13	99006-12000	HANDLE, EYE WRENCH, 120MM	1	1	2034712	
14	99006-26000	WRENCH, EYE, 26MM	1	1	2034712	
15	99007-45000	SPANNER, PIN	1	1	2034712	

FOP-1 Front bumper kit

G 1

FOP-1 Front bumper kit

Courtesy of  Honda4Fun  
www.hondafour.com www.honda4fun.com



Ref. No.	Part No.	Description	Reqd. No.		Serial No.	Area code
			CB500	K1 K2		
1	06625-323-810	BAMPER KIT, FRONT	1	1		
2	62501-323-750	BAMPER, FR.	1	1		
3	62505-300-750	BOLT, FR. BUMPER SET	2	2		
4	93000-08055-0A	BOLT, HEX., 8X55	2	2		
5	93000-08065-0A	BOLT, HEX., 8X65	2	2		
6	94001-08000-05	NUT, HEX., 8MM	4	4		
7	94101-08000	WASHER, PLAIN, 8MM	4	4		
8	94111-08000	WASHER, SPRING, 8MM	4	4		

B323-108

Courtesy of  Honda4Fun  
www.hondafour.com www.honda4fun.com