



HONDA

CB500K2

(ED, F, G)

Courtesy of  Honda4Fun **1**
www.hondafour.com www.honda4fun.com

PARTS LIST

© 1977 HONDA MOTOR CO., LTD.

CONTENTS - ENGINE GROUP

CONTENTS

	Page
● Contents-Engine group	1
● Contents-Frame group	2
● Instruction for use of parts list	3
● How to use the flat rate time (F.R.T.)...	6
● Model photograph ...	8
● Engine group	9
(address No. C2)	
● Frame group	34
(address No. G2)	
● Part No. index.....	77



E- 1	Cylinder Head Cover	C 2
E- 2	Cylinder Head	C 4
E- 3	Cylinder	C 5
E- 4	Camshaft - Valve	C 6
E- 5	Cam Chain - Tensioner	C 7



E-13	Crankshaft - Piston	D 1
E-14	Primary Shaft - Chain	D 3
E-15	Transmission	D 5
E-16	Shift Drum - Shift Fork - Kick Spindle ...	D 7



E- 6	Contact Breaker - Advancer	C 8
E- 7	Right Crankcase Cover	C10
E- 8	Clutch	C11
E- 9	Generator	C12
E-10	Left Crankcase Cover	C13
	Starting Motor - Oil Pump	C13
E-11	Oil Filter - Oil Pan	C15
E-12	Crankcase	C16



E-17	Carburetor	D 9
E-17-1	Carburetor (Component Parts)	D10

This book is a courtesy of Honda4Fun
www.honda4fun.com
www.honda4fun.com

CONTENTS - FRAME GROUP



F- 1	Head Light	G 2
F- 2	Speedometer - Tachometer	G 5
F- 3	Handle Lever - Switch - Cable	G 6
F- 4	Handle Pipe - Top Bridge - Stem	G 7
F- 5	Master Cylinder - Brake Hose	G 9
F- 6	Front Fender	G11
F- 7	Front Fork	G12



F-12	Fuel Tank - Cowl	H 4
F-13	Seat	H 5
F-14	Right Side Cover	H 6
F-15	Left Side Cover Electric Plate	H 7
F-16	Air Cleaner - Tool	H 9



F-22	Rear Fender	I 2
F-23	Winker (EO, F)	I 3
F-23-1	Winker (G)	I 5
F-24	Tail Light (EO, F)	I 6
F-24-1	Tail Light (G)	I 8



F- 8	Front Brake Caliper	G14
F- 9	Front Wheel - Disk	G16
F-10	Rear Brake Panel	H 1
F-11	Rear Wheel	H 2



F-17	Exhaust Muffler	H11
F-18	Kick Arm - Pedal	H12
F-19	Stand - Step	H13
F-20	Rear Fork - Chain	H15
F-21	Rear Cushion	I 1



F-25	Wire Harness - Horn - Ignition Coil	I 9
F-26	Frame Body	I11



3. Abbreviations

The following abbreviations are used in this parts list.

ASSY	Assembly
COMP	Complete
HEX	Hexagonal
22T	22 teeth

4. Dimensions

All dimensions are given in millimeters (mm) except in the case of steel balls, tires and tire tubes.

Parts	Example	Interpretation
Bolt (Screw)	6 × 12	6mm diameter, 12mm length
Pin	8 × 14	8mm diameter, 14mm length
O-Ring	9.5 × 1.6	9.5mm diameter, 1.6mm thickness
Oil seal	14 × 24 × 5	14mm inside diameter, 24mm outside diameter, 5mm thickness
Tube	5 × 130	5mm inside diameter, 130mm length

5. Supersedece of parts

Part numbers given under the part name in the "Description" column indicate that the part number has been superseded by that part number. HONDA may make such supersedece without notice.

6. Assemblies

Sections framed with broken lines in the exploded view drawings are available as complete assemblies. (Their individual parts can also be obtained.)

7. Required quantity

The number given in the "Reqd. No." column indicates the quantity of parts used in the section described in that block.

Parts with quantities in () represent optional or oversize parts.

8. Part Modifications-Applicable Serial Numbers

In cases where a part has been modified, the serial number of the first vehicle (or frame, engine, carburetor) bearing the modification is listed in the "Serial No." column.

9. Models, Area Codes and Initial Serial No.'s.

Models, Area Codes and Initial Serial No.'s. given in this parts list can be identified as follows.

Parts with area codes are exclusive for models destined for countries designated.

If no area codes are listed, parts are for common use.

Model/Area code	Type	Initial Serial Engine No.	Initial Serial Frame No.	Initial Carburetor Identification No.
CB500K2	ED	European direct sales CB500E 2166406 -	CB500 2080551 -	649 <u>A</u> -
	F	France CB500E 2166156 -	CB500 2080001 -	627 <u>A</u> -
	D	Germany CB500E 2166406 -	CB500 2080011 -	649 <u>A</u> -

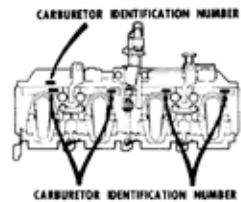
* Of carburetor identification numbers, only the portions underlined in the example below are used for registration.

649 A A KC 7

10. Location of stamped serial number



8023-0A



8090-05

May 20, 1976
HONDA MOTOR CO., LTD.

HOW TO USE THE FLAT RATE TIME (F.R.T.)

This F.R.T. (Flat Rate Time) is used to determine the standard labor time allowed for replacement of parts covered by the warranty during the period the warranty is in effect. The F.R.T. for those parts which are not listed herein should be determined from the operation closely related to the replacement of that part.

1. The F.R.T. is based on the following servicing conditions :

- A liberal allowance is added to the net servicing time.
- Standard times specified are based on the condition that the necessary servicing tools listed in the Service Manual (Motorcycle) which describes the Honda service policy are available close at hand and the work performed by a mechanic with normal skill.
- Time required for inspection and operational test following the servicing is included in the F.R.T.

2. Method of computing

The job times are listed in tenth of an hour to simplify computation.

- (Example) 0.3 - 18 minutes
5.6 - 5 hours and 36 minutes

CONVERSION CHART			
Hours	Minutes	Hours	Minutes
0.1	6	0.6	36
0.2	12	0.7	42
0.3	18	0.8	48
0.4	24	0.9	54
0.5	30	1.0	60

3. Computing the F.R.T.

When several jobs are performed at the same time, make the calculation in the following manner.

a. Jobs of non duplicated nature

The F.R.T. for the job is obtained by totalling the F.R.T. for each part replaced

(Example) Replacement of cylinder and clutch spring.

Service Item	F.R.T.
CYLINDER	2.7
CLUTCH SPRING	0.7

The F.R.T. for the job is : $2.7+0.7=3.4$

b. Jobs of duplicated nature

1. Take the F.R.T. for the last part to be replaced.

(Example) Replacement of piston and cylinder head gasket.

Service Item	F.R.T.
CYLINDER HEAD GASKET	2.1
PISTON	2.9

The F.R.T. for the job is : 2.9

c. Jobs of partially related nature

Total up the F.R.T. for all of the parts replaced and then subtract the F.R.T. for the duplicated operation.

(Example) Replacement of gear shift drum and crankshaft assembly.

Service Item	F.R.T.
GEAR SHIFT DRUM	☆5.2
CRANKSHAFT	☆7.5
CRANKCASE DISASSEMBLY	☆5.0

The F.R.T. for the job is : $(5.2+7.5)-5.0=7.7$

Crankcase disassembly is the duplicated operations.

●The F.R.T. shown with (☆) includes engine removal and installation.

4. Operations other than replacing parts.

a. Removal and installation

No.	Service Item	F.R.T.
1	Engine	2.7
2	Cylinder head	2.1
3	Carburetor	0.8

b. Adjustment, measurement and cleaning of engine.

No.	Service Item	F.R.T.
1	Point-adjustment (including ignition timing adjustment)	0.4
2	Ignition timing-adjustment	0.3
3	Spark plug-adjustment and cleaning	0.5
4	Tappet adjustment	0.7
5	Carburetor idle-adjustment	0.2
6	Engine oil-inspection (excluding oil change)	0.2
7	Clutch-adjustment	0.3
8	Cleaner element-cleaning	0.3
9	Compression-pressure measurement	0.2
10	Battery-checking of electrolyte level and gravity	0.2
11	Carburetor-float level measurement	1.1
12	Oil filter cleaning	0.3
13	Throttle operation-adjustment	0.1
14	Carburetor synchronization-adjustment	0.6

Frame

No.	Service Item	F.R.T.
1	Front brake-air bleeding	0.1
2	Rear brake-adjustment	0.1
3	Brake-operation test	0.1
4	Headlight-aimings	0.2
5	Drive chain (includes tension adjustment however, dose not include sproket)	0.1
6	Front wheel balance	0.8
7	Rear wheel balance	0.9

c. Overhaul

1. Overhaul

No.	Service Item	F.R.T.
1	Carburetor	3.2





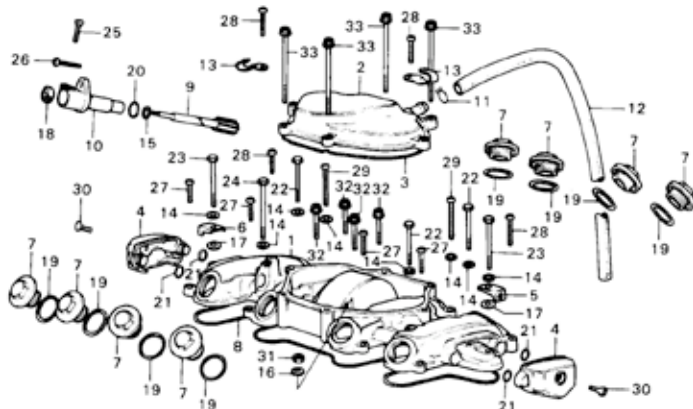
CB500K2-ED

C 2

Block No.

E-1

Cylinder Head Cover



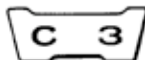
890-1

ENGINE GROUP

Service Item	F.R.T.	Ref. No.	Part No.	Description	Reqd. No. CB500K2	Serial No.	Area Code
CYLINDER HEAD COVER	1.5	1	12310-323-000	COVER, CYLINDER HEAD	1	2170314	
TACHOMETER GEAR and its related parts	1.1	1	12310-323-010	COVER, CYLINDER HEAD	1	2170315	
CYLINDER HEAD COVER GASKET	1.0	2	12320-323-000	COVER COMP., BREATHER	1		
BREATHER COVER	0.3	3	12329-323-000	GASKET, BREATHER COVER	1		
CYLINDER HEAD SIDE COVER and its related parts	0.1	4	12330-323-000	COVER, CYLINDER HEAD SIDE	2		
		5	12335-323-000	PLATE, CYLINDER HEAD SIDE COVER SETTING	1		
		6	12336-323-000	PLATE, CYLINDER HEAD SIDE COVER SETTING	1		
		7	12361-300-000	CAP, TAPPET ADJUSTING HOLE	8		
		8	12391-323-000	GASKET, CYLINDER HEAD COVER	1		
		9	12431-323-000	GEAR, TACHOMETER	1		
		10	12451-323-000	CAP, TACHOMETER	1		
		11	15707-634-000	CLIP, OIL DRAIN	1		
		12	15763-323-000	TUBE, BREATHER C	1		
		13	32906-028-000	CLIP, HIGH TENSION CORD	2		
		14	90425-300-000	WASHER, 11MM	8		
		15	90451-292-000	WASHER, THRUST, 7MM	1		
		16	90474-704-000	WASHER, 5X17	4	2170315	
		17	90485-001-000	WASHER, 6.5MM	2		
		18	91211-286-003	OIL SEAL, 4.8X14.5X4	1		
		19	91302-001-020	O-RING, 30.8MM	8		
		20	91309-035-000	O-RING, 11X2.5	1		
		21	91319-323-000	O-RING, 5X3	4		
		22	92000-06040	BOLT, HEX., 6X40	3		
		23	92000-06045	BOLT, HEX., 6X45	2		

1976-05-20

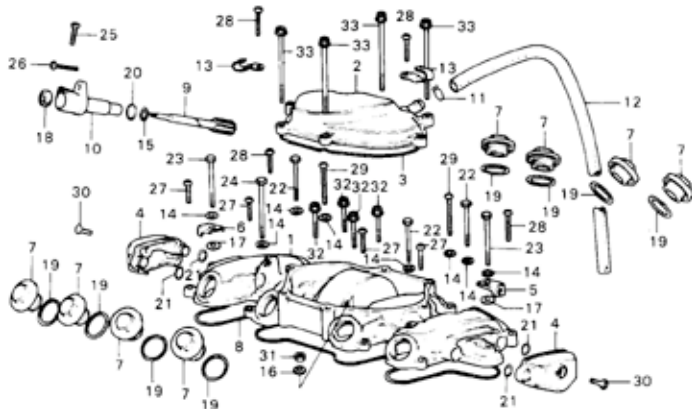
C2



Block No.

E-1

Cylinder Head Cover

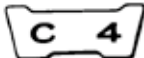


0390-1

Service Item	F.R.T.	Ref. No.	Part No.	Description	Reqd. No. CB500K2	Serial No.	Area Code
		24	92000-06050	BOLT, HEX., 6X50	1		
		25	93500-05020-0A	SCREW, PAN, 5X20	1		
		26	93500-06016	SCREW, PAN, 6X16	1		
		27	93500-06020	SCREW, PAN, 6X20	4		
		28	93500-06025	SCREW, PAN, 6X25	4		
		29	93500-06040	SCREW, PAN, 6X40	2		
		30	93700-06010-02	SCREW, OVAL, 6X10	2		
		31	94001-06000	NUT, HEX., 6MM	4	2170315	
		32	95700-06032	BOLT, FLANGE, 6X32	4		
		33	95700-06055	BOLT, FLANGE, 6X55	4		

1976.05.20

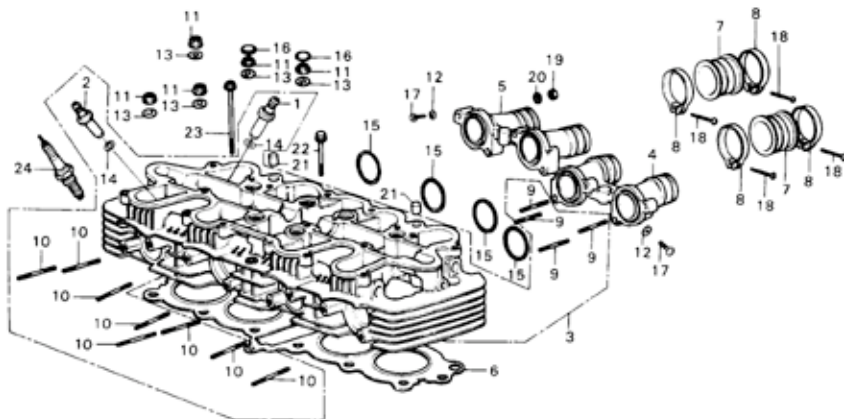
C3



Block No.

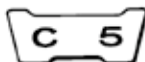
E-2

Cylinder Head



8090-2

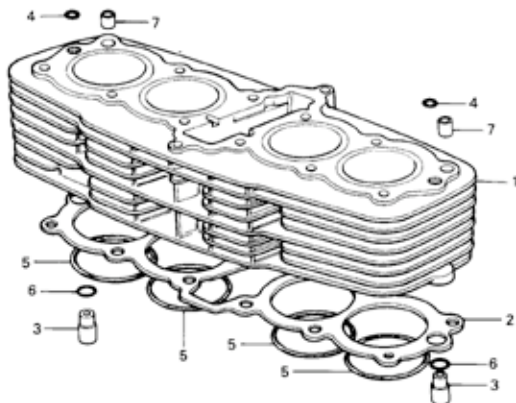
Service Item	F.R.T.	Ref. No.	Part No.	Description	Reqd. No. CB500K2	Serial No.	Area Code
CYLINDER HEAD COMP.	4.2	1	12021-323-300	GUIDE* INLET VALVE	4		
Valve rapping included		2	12023-323-300	GUIDE EXHAUST VALVE	4		
VALVE GUIDE	2.7	3	12200-374-000	HEAD COMP.* CYLINDER	1		
Reaming included add 0.2		4	12241-323-000	MANIFOLD A INLET	1		
Valve seat refacing excluded		5	12242-323-000	MANIFOLD B* INLET	1		
If it refaced and more 0.2		6	12251-323-010	GASKET* CYLINDER HEAD	1	2169462	
CYLINDER HEAD GASKET	2.1		12251-323-005	GASKET* CYLINDER HEAD	1	2169463	
6 x 32 STUD BOLT	1.3	7	16211-323-000	INSULATOR* CARBURETOR	4		
Add 0.1		8	17256-323-000	BAND B CLEANER CONNECTING TUBE	8		
IN. MANIFOLD	1.2	9	90043-323-300	BOLT* STUD* 6X32	8		
CARBURETOR INSULATOR	1.0	10	90044-323-300	BOLT* STUD* 6X40	8		
One or all		11	90236-300-000	NUT HEX.* 6MM	12		
6 x 40 STUD BOLT	0.5	12	90452-323-000	WASHER* THRUST* 5MM	4		
Add 0.1		13	90485-035-000	WASHER 14MM	12		
SPARK PLUG	0.1	14	91301-200-000	O-RING* 10X1.6	8		
		15	91307-001-020	O-RING* 30.8MM	4		
		16	91318-300-013	RUBBER* SEALING	6		
		17	93500-05006-DA	SCREW* PAN* 5X6	4		
		18	93500-05020-DA	SCREW* PAN* 5X20	8		
		19	94001-06000	NUT* HEX.* 6MM	8		
		20	94101-06000	WASHER* PLAIN* 6MM	8		
		21	94302-10160	PIN* DOWEL* 10X16	2		
		22	95700-06032	BOLT* FLANGE* 6X32	1		
		23	95700-06055	BOLT* FLANGE* 6X65	1		
		24	98069-57711	PLUG* SPARK #D-7ES NGK1	4		
			98069-57723	PLUG* SPARK #X22ES NG1	4		
			1976.05.20		64		



Block No.

E-3

Cylinder



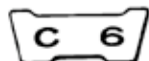
8374-21

Service Item	F.R.T.	Ref. No.	Part No.	Description	Reqd. No. CB500K2	Serial No.	Area Code
CYLINDER COMP./GASKET *Boring honing excluded	2.7	1	12100-323-000	CYLINDER COMP.	1		
		2	12191-323-000	GASKET+ CYLINDER	1		
		3	12238-323-000	VALVE+ OIL CONTROL	2		
		4	91301-323-000	O-RING+ 5X2.4	2		
		5	91304-286-000	O-RING+ 61.8X2.0	4		
		6	91309-035-000	O-RING+ 11X2.5	2		
		7	94301-12180	PIN+ KNOCK+ 12X18	2		

1976.05.20

C5

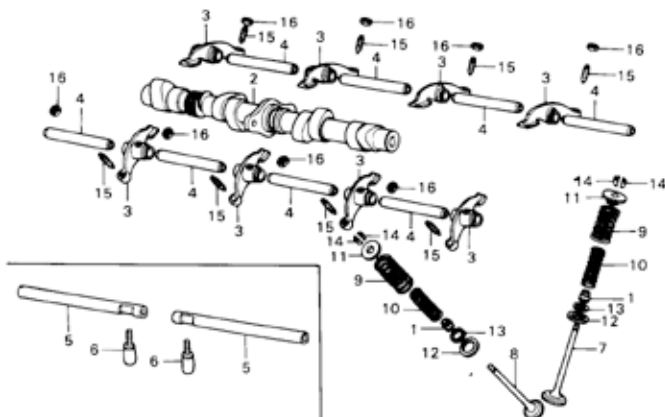




Block No.

E-4

Camshaft - Valve



8374-22

Service Item	F.R.T.	Ref. No.	Part No.	Description	Reqd. No. CB500K2	Serial No.	Area Code
VALVE	2.5	1	12209-333-005	SEAL+ VALVE STEM	8		
+Add 0.2 Reaming included		2	14101-323-000	CAMSHAFT	1		
VALVE SPRING and its related parts	2.4	3	14431-324-000	ARM+ VALVE ROCKER	8		
+Add 0.1		4	14451-323-010	SHAFT+ VALVE ROCKER ARM	8	2170314	
CAMSHAFT	1.7	5	14451-323-020	SHAFT+ ROCKER ARM	4	2170315	
VALVE ROCKER ARM and its related parts	0.8	6	14456-390-000	PIN+ ROCKER ARM SHAFT COTTER	4	2170315	
		7	14711-107-020	VALVE+ INLET	4		
		8	14721-323-005	VALVE+ EXHAUST (MITSUBISHI)	4		
		9	14751-107-010	SPRING+ VALVE (OUTER)	8		
		10	14761-107-010	SPRING+ VALVE (INNER)	8		
		11	14771-107-020	RETAINER+ VALVE SPRING	8		
		12	14775-107-000	SEAT+ VALVE SPRING OUTER	8		
		13	14776-107-010	SEAT+ VALVE SPRING INNER	8		
		14	14781-107-020	COTTER+ VALVE	16		
		15	90012-300-000	SCREW+ TAPPET ADJUSTING	8		
		16	90206-250-000	NUT+ TAPPET ADJUSTING	8		

1976.05.20

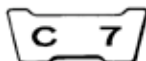
C6

Courtesy of
www.hondafour.com



Honda4Fun
www.honda4fun.com

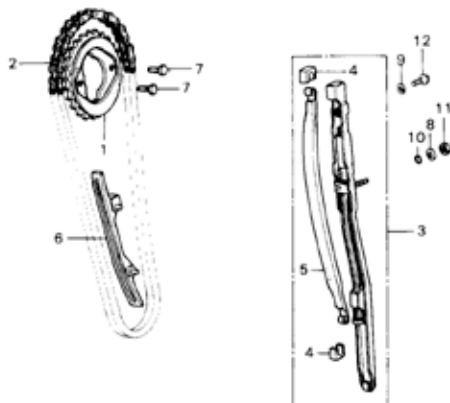
13



Block No.

E-5

Cam Chain - Tensioner

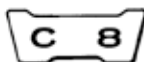


9374-23

Service Item	F.R.T.	Ref. No.	Part No.	Description	Reqd. No. CB500K2	Serial No.	Area Code
CAM CHAIN	0.8	1	14321-323-000	SPROCKET, CAM	1		
CAM CHAIN TENSIONER COMP./CAM CHAIN	2.7	2	14401-323-003	CHAIN, CAM	1		
GUIDE		3	14500-323-000	TENSIONER COMP., CAM CHAIN	1		
CAM SPROCKET	1.7	4	14501-323-000	DAMPER, CAM CHAIN TENSIONER	2		
		5	14520-323-000	SLIPPER, CAM CHAIN TENSIONER	1		
		6	14611-323-000	GUIDE, CAM CHAIN	1		
		7	90081-246-000	BOLT, HEX., KNOCK, TX12	2		
		8	90442-035-000	WASHER, SEALING, 6MM	1		
		9	90481-250-000	WASHER, 6.5MM	1		
		10	91305-323-000	O-RING, 5.8X1.9	1		
		11	94001-06000	NUT, HEX., 6MM	1		
		12	95700-06022	BOLT, FLANGE, 6X22	1		

1376-05-20

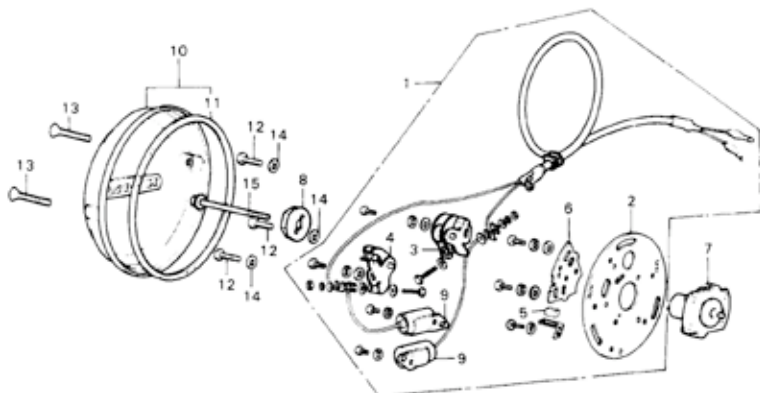
C7



Block No.

E-6

**Contact Breaker +
Advancer**



899-5

Service Item	F.R.T.	Ref. No.	Part No.	Description	Reqd. No. CB500K2	Serial No.	Area Code
CONTACT BREAKER BASE PLATE	0.9	1	30200-323-005	BREAKER ASSY.+ CONTACT (HITACHI)	1		
CONTACT BREAKER and its related parts	0.6		30200-323-154	BREAKER ASSY.+ CONTACT (TOYO)	1		
*Add 0.1		2	30201-300-015	PLATE+ CONTACT BREAKER BASE (HITACHI)	1		
CONTACT BREAKER ASSY./SPARK ADVANCER	0.5		30201-300-154	PLATE+ CONTACT BREAKER BASE (TOYO)	1		
CONDENSER	0.3	3	30203-300-005	BREAKER+ 184 CYLINDER CONTACT (HITACHI)	1		
*Add 0.1			30203-300-154	BREAKER+ 184 CYLINDER CONTACT (TOYO)	1		
POINT COVER/OIL FELT	0.1	4	30204-300-005	BREAKER+ 283 CYLINDER CONTACT (HITACHI)	1		
			30204-300-154	BREAKER+ 283 CYLINDER CONTACT (TOYO)	1		
		5	30205-003-005	FELT+ OIL (HITACHI)	1		
			30205-300-154	FELT+ OIL (TOYO)	1		
		6	30215-300-005	PLATE+ BREAKER SHIFT (HITACHI)	1		
			30215-300-154	PLATE+ BREAKER SHIFT (TOYO)	1		
		7	30220-323-005	ADVANCER ASSY.+ SPARK (HITACHI)	1		
			30220-323-154	ADVANCER ASSY.+ SPARK (TOYO)	1		
		8	30233-300-000	WASHER+ SPECIAL (HITACHI)	1		
		9	30250-300-005	CONDENSER COMP. (HITACHI)	2		
			30250-300-154	CONDENSER COMP. (TOYO)	2		
		10	30370-323-000	COVER COMP.+ POINT (HITACHI)	1		
			30370-323-154	COVER COMP.+ POINT (TOYO)	1		
		11	30372-300-300	GASKET+ POINT COVER (HITACHI)	1		
		12	93500-05012-0A	SCREW+ PAN+ 5X12 (HITACHI)	3		
			93500-05012-1A	SCREW+ PAN+ 5X12 (TOYO)	3		

1976-05-20

C8

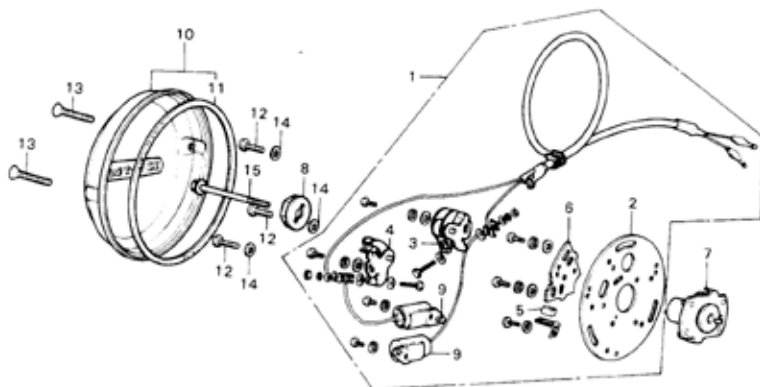


C 9

Block No.

E-6

Contact Breaker -
Advancer



0390-5

Service Item	F.R.T.	Ref. No.	Part No.	Description	Reqd. No. CB500K2	Serial No.	Area Code
		13	93700-06032	SCREW: OVAL; 6X32	2		
		14	94101-05000	WASHER: PLAIN; 5MM	3		
		15	95700-06055	BOLT: FLANGE; 6X55	1		

1976.05.20

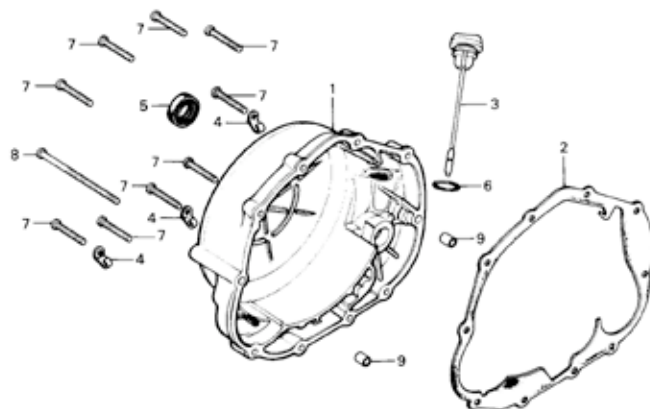
09

C 10

Block No.

E-7

Right Crankcase Cover



8323-82

Service Item	F.R.T.	Ref. No.	Part No.	Description	Reqd. No. CB500K2	Serial No.	Area Code
R. CRANKCASE COVER	0.0	1	11331-323-010	COVER COMP., RIGHT CRANKCASE	1		
R. CRANKCASE PACKING/18 x 29 x 7	0.5	2	11394-323-010	GASKET, RIGHT CRANKCASE COVER	1		
OIL SEAL		3	15650-323-000	GAUGE, OIL VEVL	1		
		4	32111-323-000	CLAMP, CORD	3		
		5	91204-286-003	OIL SEAL, 18X29X7	1		
		6	91354-702-000	O-RING, 23MM	1		
		7	93500-06032	SCREW, PAN, 6X32	9		
		8	93500-06080	SCREW, PAN, 6X80	1		
		9	94301-08140	PIN & DOWEL, 8X14	2		

1976.05.20

C10

Courtesy of
www.hondafour.com



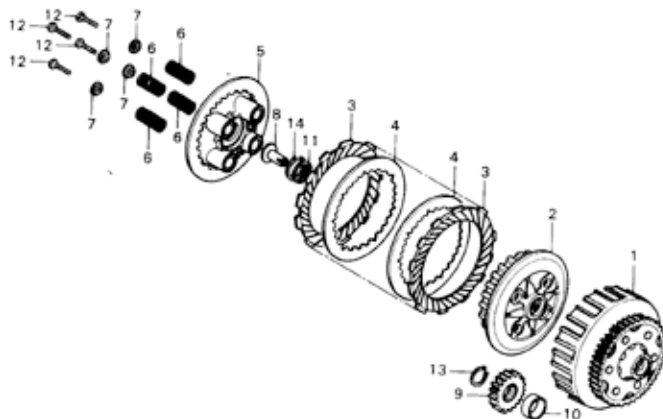
Honda4Fun
www.honda4fun.com

C 11

Block No.

E-8

Clutch



8323-83

Service Item	F.R.T.	Ref. No.	Part No.	Description	Reqd. No. CB500K2	Serial No.	Area Code
CLUTCH OUTER/CLUTCH CENTER and those related parts	0.8	1	22100-323-000	OUTER COMP., CLUTCH	1		
		2	22120-323-010	CENTER COMP., CLUTCH	1		
CLUTCH LIFTER PLATE/SPRING	0.6	3	22201-323-010	DISK, CLUTCH FRICTION	7		
		4	22321-323-000	PLATE B, CLUTCH	6		
		5	22350-286-000	PLATE, CLUTCH PRESSURE	1		
		6	22401-323-003	SPRING, CLUTCH	4		
		7	22501-323-000	WASHER, 6X19	4		
		8	22838-323-000	PIECE, CLUTCH LIFTER JOINT	1		
		9	23103-323-000	GEAR, PRIMARY DRIVE (23T)	1		
		10	23105-323-000	COLLAR, 22X13.6	1		
		11	90458-323-010	SPACER, 0.1MM	N		
			90459-323-010	SPACER, 0.1MM	N		
			90460-323-010	SPACER, 0.5MM	N		
		12	92020-06020	BOLT, HEX., 5X20	4		
		13	94510-20000	CIR CLIP, EXTERNAL, 20MM	1		
		14	94510-25150	CIR CLIP, EXTERNAL, 25MM	1		

1976.05.20

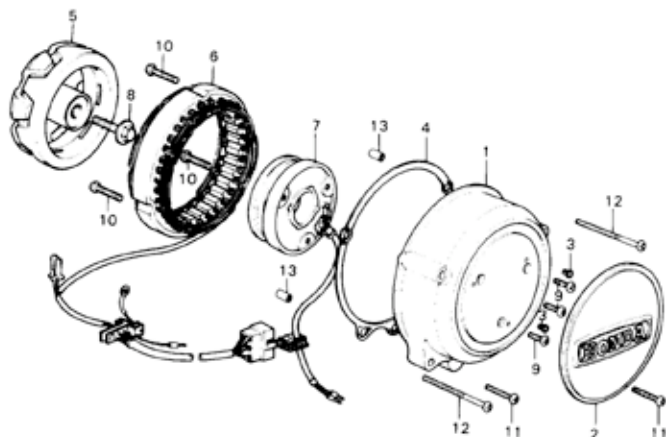
C11

C 12

Block No.

E-9

Generator



8090-8

Service Item	F.R.T.	Ref. No.	Part No.	Description	Reqd. No. CBR00K2	Serial No.	Area Code
DYNAMO COVER A/STATOR/FIELD COIL	0.5	1	11631-323-000	COVER A; DYNAMO	1		
ROTOR COMP.	0.3	2	11632-323-003	COVER B; DYNAMO (UEHARA)	1		
DYNAMO COVER GASKET	0.2	3	11633-323-000	PUSH ON FIX; J TYPE	3		
DYNAMO COVER B.	0.1	4	11691-323-000	GASKET; DYNAMO COVER	1		
		5	31101-323-005	ROTOR COMP. (HITACHI)	1		
		6	31102-323-025	STATOR COMP. (HITACHI)	1		
		7	31103-323-005	COIL COMP.; FIELD (HITACHI)	1		
		8	90014-333-000	BOLT; USS; 10X32	1		
		9	93500-06016	SCREW; PAN; 6X16	3		
		10	93500-06028	SCREW; PAN; 6X28	3		
		11	93500-06032	SCREW; PAN; 6X32	2		
		12	93500-06065	SCREW; PAN; 6X65	2		
		13	94301-08140	PIN & DOWEL; 8X14	2		

1976.05.20

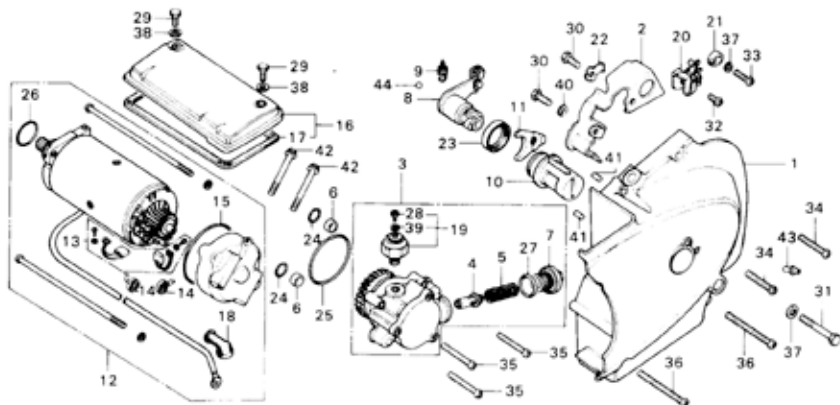
C12

C 13

Block No.

E-10

**Left Crankcase Cover
Starting Motor ·
Oil Pump**



8323-84

Service Item	F.R.T.	Ref. No.	Part No.	Description	Reqd. No. CB500K2	Serial No.	Area Code
CARBON BRUSH KIT	0.8	1	11341-323-000	COVER COMP., LEFT CRANKCASE	1		
STARTING MOTOR ASSY.	0.6	2	11353-363-000	PROTECTOR, CASE	1		
RELIEF VALVE and its related parts	0.4	3	15100-323-003	PUMP ASSY., OIL (YAMADA)	1		
• L. CRANKCASE COVER		4	15140-300-010	VALVE, RELIEF	1		
OIL PUMP ASSY.	0.3	5	15145-300-000	SPRING, RELIEF VALVE	1		
• OIL PRESSURE SWITCH		6	15155-323-000	COLLAR, O-RING	2		
• CASE PROTECTOR		7	15331-323-003	CAP, OIL PATH	1		
NEUTRAL SWITCH ROTOR/STATOR	0.2	8	22810-323-000	THREAD COMP., CLUTCH LIFTER	1		
CLUTCH LEVER/CLUTCH LIFTER ADJUST		9	22815-283-000	SPRING, CLUTCH LEVER	1		
SCREW and their related parts		10	22841-323-000	ADJUSTER, CLUTCH	1		
STARTING MOTOR COVER	0.1	11	22844-323-000	PEACE, ADJUSTER FIXING	1		
		12	31200-323-013	MOTOR ASSY., STARTING	1		
		13	31201-292-15R	BRUSH SET, CARBON (MITSUBA)	1		
		14	31204-292-15R	SPRING, CARBON BRUSH (MITSUBA)	2		
		15	31206-286-15R	O-RING (MITSUBA)	1		
		16	31280-323-000	COVER COMP., STARTING MOTOR	1		
		17	31282-323-300	PACKING, STARTING MOTOR COVER	1		
		18	32411-253-000	COVER, STARTING MOTOR TERMINAL	2		
		19	35500-333-014	SWITCH ASSY., OIL PRESSURE	1		
		20	35752-323-000	STATOR, NEUTRAL SWITCH (ND)	1		
		21	35753-323-000	ROTOR, NEUTRAL SWITCH	1		
		22	90532-323-000	WASHER, TONGUE, 6MM	1		
		23	91205-200-000	OIL SEAL, 22x26x2.9XB	1		
		24	91301-268-020	O-RING, 14MM	2		
		25	91302-250-010	O-RING, 47MM	1		

1976.05.20

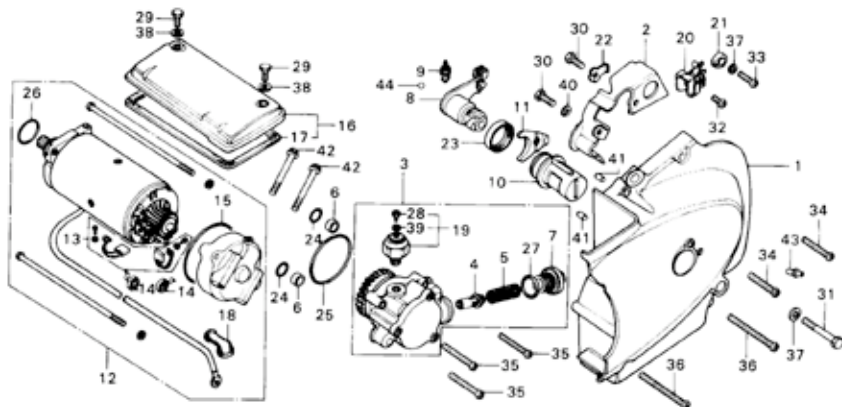
013

C 14

Block No.

E-10

**Left Crankcase Cover
Starting Motor •
Oil Pump**



8323-04

Service Item	F.R.T.	Ref. No.	Part No.	Description	Reqd. No. CB500K2	Serial No.	Area Code
		26	91309-300-000	O-RING; 24.4x3.1	1		
		27	91315-044-000	O-RING; 19.4x2.8	1		
		28	92000-04006-0A	BOLT; HEX.; 4X5	1		
		29	92000-06012-02	BOLT; HEX.; 6X12	2		
		30	92000-06016	BOLT; HEX.; 6X16	2		
		31	92000-06045	BOLT; HEX.; 6X45	1		
		32	93500-06012	SCREW; PAN; 6X12	1		
		33	93500-06020	SCREW; PAN; 6X20	1		
		34	93500-06032	SCREW; PAN; 6X32	2		
		35	93500-06035	SCREW; PAN; 6X35	3		
		36	93500-06055	SCREW; PAN; 6X55	2		
		37	94101-06000	WASHER; PLAIN; 6MM	2		
		38	94101-06200	WASHER; PLAIN; 6MM	2		
		39	94111-04000	WASHER; SPRING; 4MM	1		
		40	94111-06000	WASHER; SPRING; 6MM	1		
		41	94302-06100	PIN; KNOCK; 6X10B	2		
		42	95700-06055	BOLT; FLANGE; 6X55	2		
		43	96201-30001	NIPPLE; GREASE; A.45	1		
		44	96211-10000	BALL; STEEL; #10	1		

1976.05.20

C14

Courtesy of

www.hondafour.com



Honda4Fun

www.honda4fun.com

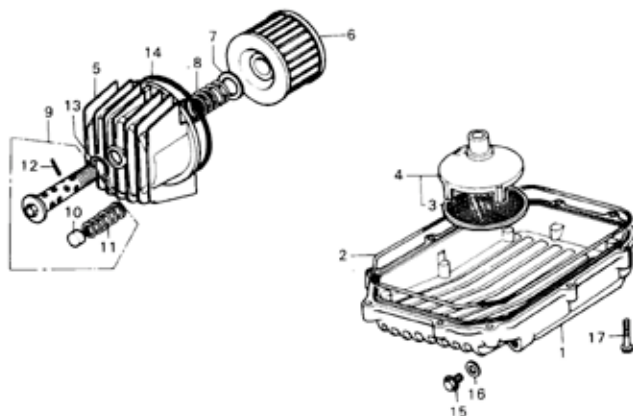
21

C 15

Block No.

E-11

Oil Filter - Oil Pan



8023-85

Service Item	F.R.T.	Ref. No.	Part No.	Description	Reqd. No. CB500K2	Serial No.	Area Code
OIL PAN/OIL STRAINER	0.5	1	11210-323-000	PAN+ OIL	1		
OIL FILTER ELEMENT and its related parts	0.2	2	11398-323-000	GASKET+ OIL PAN	1		
		3	15150-300-000	SCREEN+ OIL STRAINER	1		
		4	15150-323-000	STRAINER ASSY.+ OIL	1		
		5	15411-300-010	CASE+ OIL FILTER	1		
		6	15412-300-024	ELEMENT+ OIL FILTER (10X10 ROKI)	1		
		7	15414-300-000	SEAT+ OIL FILTER SPRING	1		
		8	15415-300-000	SPRING+ OIL FILTER ELEMENT SET	1		
		9	15420-300-020	BOLT COMP.+ OIL FILTER CENTER	1		
		10	15473-300-300	VALVE+ CHECK	1		
		11	15474-300-310	SPRING+ CHECK VALVE	1		
		12	15477-300-300	PIN+ SPRING SET	1		
		13	91302-028-000	O-RING+ 15X2.5	1		
		14	91316-300-003	O-RING+ 89X4.5	1		
			91316-100-005	O-RING+ 89X4.5	1		
		15	92800-12000	BOLT+ DRAIN PLUG+ 12MM	1		
		16	94109-12000	WASHER+ DRAIN PLUG 12MM	1		
		17	95700-06032	BOLT+ FLANGE+ 6X32	10		

1976.05.29

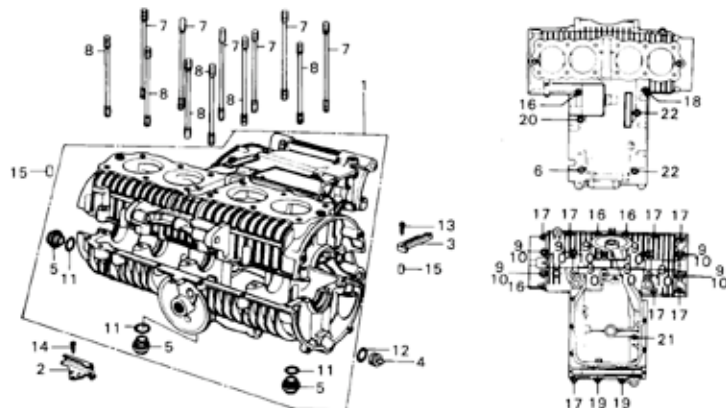
G15

C 16

Block No.

E-12

Crankcase



8323-86

Service Item	F.R.T.	Ref. No.	Part No.	Description	Reqd. No. GB500K2	Serial No.	Area Code
CRANKCASE SET	+8.0	1	11000-323-000	CRANKCASE SET	1		
CYLINDER STUD BOLT	2.8	2	11202-323-000	GUIDE # OIL	1		
+Add 0.1		3	11203-323-010	GUIDE # OIL	1		
		4	11207-323-000	PLUG# OIL PATH	1		
		5	15331-300-000	CAP# OIL PATH	3		
		6	90011-323-000	BOLT# FLANGE# 8X145	1		
		7	90033-323-000	BOLT # CYLINDER STUD	6		
		8	90034-323-000	BOLT # CYLINDER STUD	6		
		9	90084-323-000	BOLT# HEX# 8X100	10		
		10	90485-035-000	WASHER# 14MM	10		
		11	91315-044-000	O-RING# 19.4X2.8	3		
		12	91319-300-000	O RING 13X2.5	1		
		13	93901-25310	SCREW# TAPPING, 5X16	1		
		14	93901-26110	SCREW# TAPPING# 6X12	1		
		15	94302-10160	PIN# DOWEL# 10X16	2		
		16	95700-06032	BOLT# FLANGE# 6X32	4		
		17	95700-04040	BOLT# FLANGE# 6X40	7		
		18	95700-04050	BOLT# FLANGE# 6X50	1		
		19	95700-06055	BOLT# FLANGE# 6X55	2		
		20	95700-06100	BOLT# FLANGE# 6X100	1		
		21	95700-06105	BOLT# FLANGE# 6X105	1		
		22	95700-08100	BOLT# FLANGE# 8X100	2		

1976.05.20

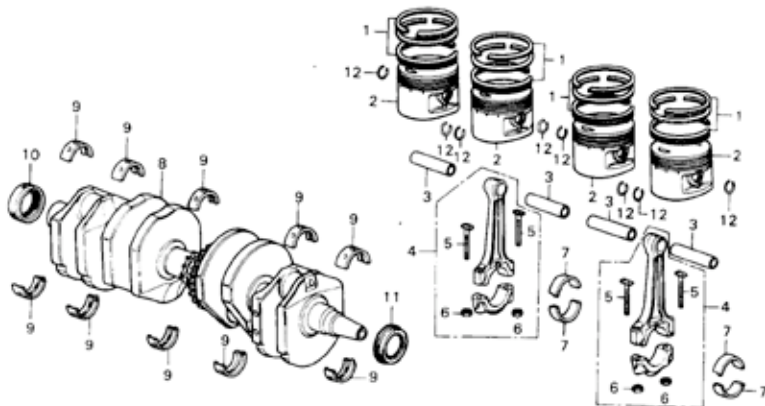
G16

D 1

Block No.

E-13

Crankshaft - Piston

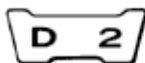


8374-25

Service Item	F.R.T.	Ref. No.	Part No.	Description	Reqd. No. CB500K2	Serial No.	Area Code
CRANKSHAFT COMP.	07.5	1	13011-323-013	RING SET+ PISTON (STD. NIPPON)	4		
CRANKSHAFT BEARING	06.8		13011-323-014	RING SET+ PISTON (STD. RIKEN)	4		
*One or all			13021-323-013	RING SET+ PISTON (0.25 NIPPON)	(4)		
CONNECTING ROD/CONNECTING ROD BEARING	06.5		13021-323-014	RING SET+ PISTON (0.25 RIKEN)	(4)		
*Add 0.4			13031-323-013	RING SET+ PISTON (0.50 NIPPON)	(4)		
PISTON/PISTON RING	2.8		13031-323-014	RING SET+ PISTON (0.50 RIKEN)	(4)		
*Add 0.1			13041-323-013	RING SET+ PISTON (0.75 NIPPON)	(4)		
PISTON PIN	2.7		13041-323-014	RING SET+ PISTON (0.75 RIKEN)	(4)		
			13051-323-013	RING SET+ PISTON (1.00 NIPPON)	(4)		
			13051-323-014	RING SET+ PISTON (1.00 RIKEN)	(4)		
		2	13101-323-000	PISTON (STD.)	4		
			13102-323-000	PISTON (0.25)	(4)		
			13103-323-000	PISTON (0.50)	(4)		
			13104-323-000	PISTON (0.75)	(4)		
			13105-323-000	PISTON (1.00)	(4)		
		3	13111-286-000	PIN+ PISTON	4		
		4	13204-323-000	ROD COMP.D+ CONNECTING	4		
			13205-323-000	ROD COMP.E+ CONNECTING	4		
			13206-323-000	ROD COMP.F+ CONNECTING	4		
		5	13213-333-003	BOLT+ CONNECTING ROD (TOKAI)	8		
		6	13214-300-000	NUT+ CONNECTING ROD	8		
		7	13215-323-003	BEARING A+ CONNECTING ROD (DAIDO)	8		
			13216-323-003	BEARING B+ CONNECTING ROD (DAIDO)	8		
			13217-323-003	BEARING C+ CONNECTING ROD (DAIDO)	8		
			13218-323-003	BEARING D+ CONNECTING ROD (DAIDO)	8		

1976.05.20

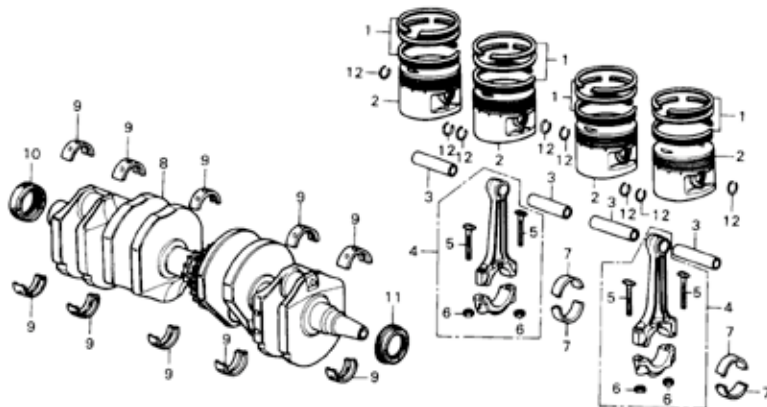
01



Block No.

E-13

Crankshaft · Piston



8374-25

Service Item	F.R.T.	Ref. No.	Part No.	Description	Reqd. No. CB500K2	Serial No.	Area Code
		8	13300-323-000	CRANKSHAFT COMP.	1		
		9	13315-323-000	BEARING A; CRANKSHAFT	10		
		9	13316-323-000	BEARING B; CRANKSHAFT	10		
		9	13317-323-000	BEARING C; CRANKSHAFT	10		
		9	13318-323-000	BEARING D; CRANKSHAFT	10		
		10	91201-300-003	OIL SEAL; 30X42X8	1		
		11	91201-323-005	OIL SEAL; 30X45X8	1		
		12	94601-15000	CLIP; PISTON PIN; 15MM	8		

⑦

Alber

Selection table of connecting rod big end bearing

Cranks rod clearance	A	3 rd +0.008 -0.004	B	3 rd -0.014 -0.004
Clearance [mm]	Bearing mark (color)	Clearance [μ]	Bearing mark (color)	Clearance [μ]
3	B (BROWN)	18-43	A (BLACK)	20-45
2	C (GREEN)	19-44	B (BROWN)	21-46
1	D (YELLOW)	20-45	C (GREEN)	22-47

⑧

Alber

Selection table of crankshaft journal main bearing

Cranks rod clearance	1	3 rd +0 -0.010	2	3 rd -0.010 -0.006
Clearance [mm]	Bearing mark (color)	Clearance [μ]	Bearing mark (color)	Clearance [μ]
C	B (BROWN)	20-45	A (BLACK)	22-46
B	C (GREEN)	20-46	B (BROWN)	22-46
A	D (YELLOW)	20-46	C (GREEN)	22-46

1376.05.20

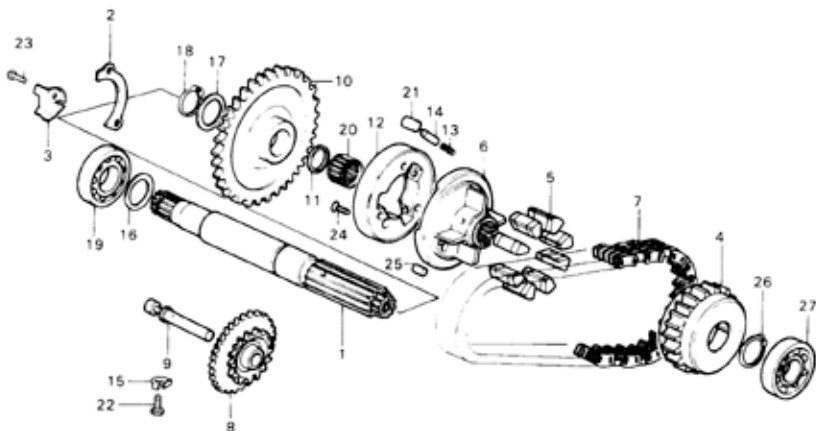
02

D 3

Block No.

E-14

Primary Shaft • Chain



0323-07

Service Item	F.R.T.	Ref. No.	Part No.	Description	Reqd. No. CB500K2	Serial No.	Area Code
PRIMARY DRIVE CHAIN	>7.6	1	23100-323-000	SHAFT COMP. PRIMARY	1		
STARTER REDACTION GEAR	>5.0	2	23102-323-000	PLATE+ BEARING SET	1		
PRIMARY SHAFT and its related parts	>4.5	3	23106-323-000	PLATE+ OIL GUIDE	1		
		4	23111-323-010	SPROCKET+ PRIMARY DRIVEN	1		
		5	23114-323-000	RUBBER+ DAMPER	0		
		6	23121-323-010	HUB+ PRIMARY DRIVE SPROCKET	1		
		7	23131-323-003	CHAIN+ PRIMARY DRIVE	1		
		8	28101-323-000	GEAR+ STARTER REDUCTION	1		
		9	28106-323-000	SHAFT+ STARTER REDACTION GEAR	1		
		10	28111-363-000	GEAR+ STARTING CLUTCH	1		
		11	28112-323-000	SPACER+ 25MM	1		
		12	28120-323-000	OUTER+ STARTING CLUTCH	1		
		13	28125-323-000	SPRING+ STARTING CLUTCH ROLLER	3		
		14	28126-323-000	CAP+ STARTING CLUTCH ROLLER SPRING	3		
		15	90433-283-000	WASHER+ LOCK+ 6MM	1		
		16	90456-323-000	WASHER+ THRUST+ 22MM	1		
		17	90555-700-000	WASHER+ THRUST+ 25MM	1		
		18	90602-259-010	CIR CLIP+ 25MM	1		
		19	91001-116-008	BEARING+ RADIAL BALL+ 6322 (TOYOTA)	1		
		20	91007-323-000	BEARING+ NEEDLE+ 25x29x17	1		
		21	91103-259-000	ROLLER+ 10.2X11.5	3		
		22	92000-06012	BOLT+ HEX.+ 6X12	1		
		23	93500-06016	SCREW+ PAN+ 6X16	1		
		24	93600-06018	SCREW+ FLAT+ 6X18	3		

1976.05.20

03

Courtesy of



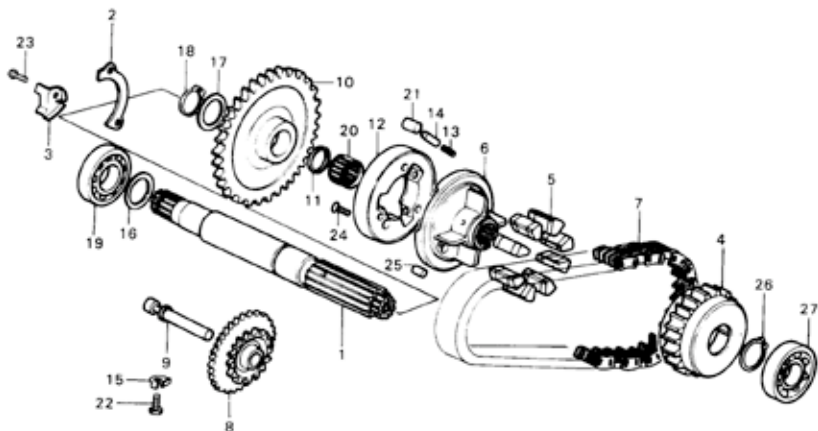
Honda4Fun
www.honda4fun.com

D 4

Block No.

E-14

Primary Shaft · Chain

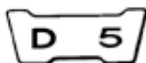


8023-87

Service Item	F.R.T.	Ref. No.	Part No.	Description	Reqd. No. CB500K2	Serial No.	Area Code
		25	94303-08140	PIN; KNOCK; 8X14	1		
		26	94510-30000	CIR CLIP; EXTERNAL; 30MM	1		
		27	96100-62050	BEARING; RADIAL BALL; 6205	1		

1976-05-20

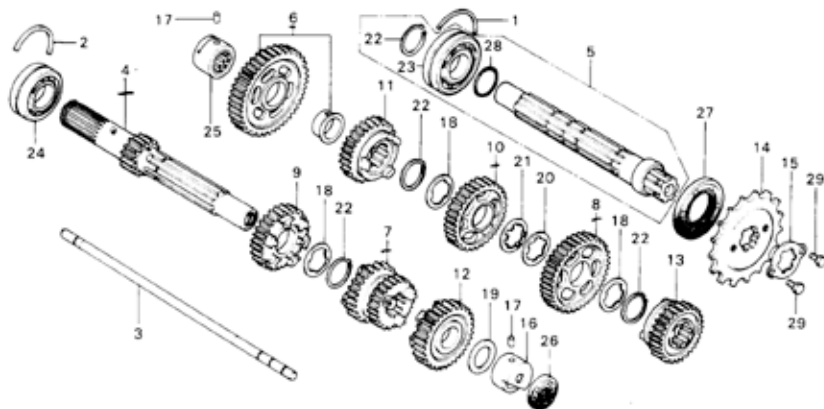
04



Block No.

E-15

Transmission



8323-88

Service Item	F.R.T.	Ref. No.	Part No.	Description	Reqd. No. CB500K2	Serial No.	Area Code
TRANSMISSION MAINSHAFT and its related parts	5.4	1	13491-283-000	RING+ BEARING SET+ 57MM	1		
		2	13492-283-000	RING+ BEARING SET+ 52MM	1		
•TRANSMISSION COUNTERSHAFT and its related parts		3	22850-323-000	ROD+ CLUTCH LIFTER	1		
		4	23210-323-000	SHAFT COMP.+ TRANSMISSION MAIN	1		
		5	23220-323-000	SHAFT+ TRANSMISSION COUNTER	1		
•One motorcycle 15.7 at transmission							
KICK STARTER SPINDLE and its related parts	5.2	6	23420-323-010	GEAR+ COUNTER SHAFT LOW	1		
KICK STARTER SPRING	0.6	7	23431-323-000	GEAR+ MAIN SHAFT SECOND THIRD (22T,26T)	1		
DRIVE SPROCKET	0.2	8	23441-286-020	GEAR+ COUNTER SHAFT SECOND (36T)	1		
		9	23451-323-000	GEAR+ MAIN SHAFT FOURTH (28T)	1		
		10	23461-286-030	GEAR+ COUNTERSHAFT THIRD (33T)	1		
		11	23471-286-010	GEAR+ COUNTERSHAFT FOURTH (29T)	1		
		12	23481-323-000	GEAR+ MAIN SHAFT TOP (30T)	1		
		13	23491-374-000	GEAR+ COUNTERSHAFT TOP (27T)	1		
		14	23801-300-010	SPROKET+ DRIVE (17T)	1		
		15	23811-292-000	PLATE+ DRIVE SPROCKET FIXING	1		
		16	23931-323-004	BEARING+ NEEDLE+ 20MM (KOYO)	1		
		17	24261-283-000	PIN+ GEAR SHIFT FORK GUIDE	2		
		18	90451-286-000	WASHER+ THRUST+ 25MM	3		
		19	90458-292-000	WASHER+ THRUST+ 20MM	1		
		20	90461-286-000	WASHER+ THRUST+ 25MM	1		
		21	90462-323-000	WASHER+ LOCK+ 25MM	1		
		22	90602-259-010	CIR CLIP+ 25MM	4		

1976.05.20

05

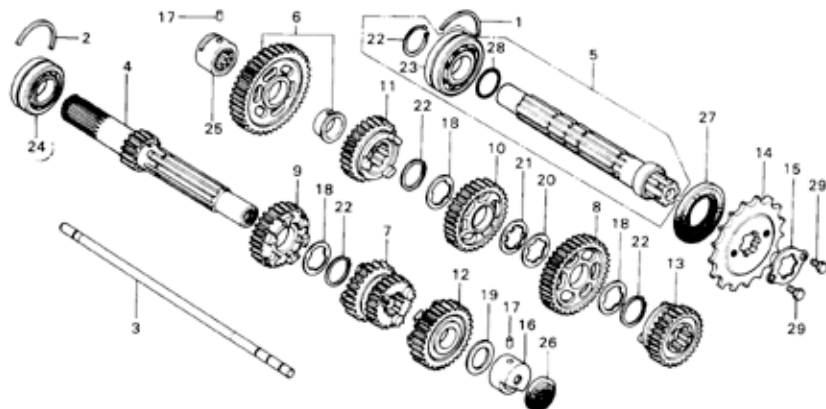




Block No.

E-15

Transmission



9323-88

Service Item	F.R.T.	Ref. No.	Part No.	Description	Reqd. No. CB500K2	Serial No.	Area Code
		23	91002-283-003	BEARING, SPECIAL BALL, 5205 (FUJIKOSHI)	1		
		24	91002-286-008	BEARING, BALL, 5205MS (TOYO)	1		
		25	91022-286-016	BEARING, NEEDLE, 20MM (TOMSON)	1		
		26	91203-292-003	OIL SEAL, 8X34X8	1		
			91203-292-005	OIL SEAL, 8X34X8	1		
		27	91205-283-010	OIL SEAL, 33X57X7	1		
		28	91306-703-000	O-RING, 24, 5MM	1		
		29	92000-06012	BOLT, HEX., 6X12	2		

1976.05.20

06

Courtesy of

www.hondafour.com



Honda4Fun

www.honda4fun.com

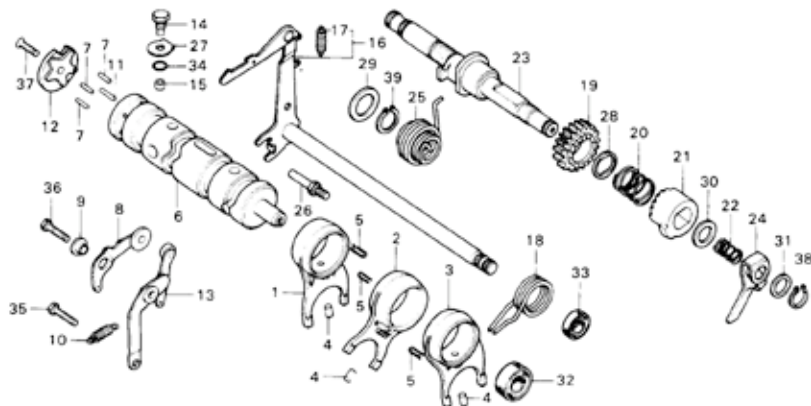
29

D 7

Block No.

E-16

**Shift Drum •
Shift Fork •
Kick Spindle**



8323-89

Service Item	F.R.T.	Ref. No.	Part No.	Description	Reqd. No. CB500K2	Serial No.	Area Code
GEAR SHIFT DRUM/GEAR SHIFT FORK and those related parts	05.2	1	24211-323-000	FORK* RIGHT GEAR SHIFT	1		
		2	24212-286-030	FORK* B* GEAR SHIFT	1		
SHIFT DRUM STOPPER/GEAR SHIFT SPINDLE and those related parts	1.1	3	24213-323-000	FORK* LEFT GEAR SHIFT	1		
		4	24261-283-000	PIN* GEAR SHIFT FORK GUIDE	3		
		5	24263-286-000	CLIP* GEAR SHIFT FORK GUIDE	3		
				PIN			
		6	24301-286-050	DRUM* GEAR SHIFT	1		
		7	24421-230-000	PIN* GEAR SHIFT DRUM	3		
		8	24430-323-020	STOPPER COMP.* SHIFT DRUM	1		
		9	24433-323-010	COLLAR* SHIFT DRUM STOPPER	1		
		10	24435-323-020	SPRING* SHIFT DRUM STOPPER	1		
		11	24437-323-000	PIN* B* GEAR SHIFT DRUM	1		
		12	24439-323-000	PLATE COMP.* CAM	1		
		13	24440-323-000	STOPPER* SHIFT DRUM	1		
		14	24446-323-000	SCREW* SHIFT DRUM GUIDE	1		
		15	24447-323-000	COLLAR* SCREW GUIDE	1		
		16	24610-323-000	SPINDLE* GEAR SHIFT	1		
		17	24641-216-000	SPRING* GEAR SHIFT ARM	1		
		18	24651-286-000	SPRING* GEAR SHIFT RETURN	1		
		19	28211-323-000	PINION* KICK STARTER	1		
		20	28215-216-000	SPRING* STARTER PINION SET	1		
		21	28221-310-010	RATCHET* KICK STARTER	1	2170349	2170349
			28221-310-020	RATCHET* KICK STARTER	1		
		22	28223-216-000	SPRING* KICK STARTER RATCHET	1		
		23	28251-323-000	SPINDLE* KICK STARTER	1		
		24	28258-310-010	PLATE* RATCHET GUIDE	1		
			1976.05.20		07		

D 8

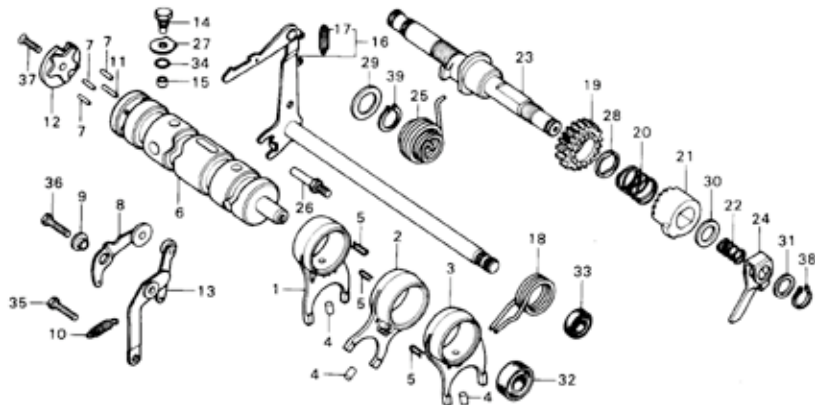
Block No.

E-16

Shift Drum •

Shift Fork •

Kick Spindle

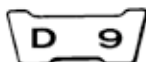


8303-89

Service Item	F.R.T.	Ref. No.	Part No.	Description	Reqd. No. CB500K2	Serial No.	Area Code
		25	28261-323-000	SPRING• KICK STARTER	1		
		26	90015-286-000	PIN• RETURN SPRING	1		
		27	90434-286-000	WASHER• LOCK; 12 MM	1		
		28	90451-216-000	WASHER• THRUST; 20MM	1		
		29	90453-286-003	WASHER• 18MM (KOYO)	1		
		30	90454-200-000	WASHER• THRUST; 15MM	1		
		31	90457-500-000	WASHER• CAM CHAIN GUIDE ROLLER THRUST	1		
		32	91201-292-003	OIL SEAL• 12X25X4.5	1		
		33	91202-216-000	OIL SEAL• SB TYPE; 14X24X5	1		
		34	91304-216-000	O-RING• 11.5X2	1		
		35	92000-06020	BOLT• HEX.; 6X20	1		
		36	92020-06020	BOLT• HEX.; 6X20	1		
		37	93600-06020	SCREW• FLAT; 6X20	1		
		38	94510-12000	CIR CLIP• EXTERNAL; 12MM	1		
		39	94510-18000	CIR CLIP• EXTERNAL; 18MM	1		

1976-05-20

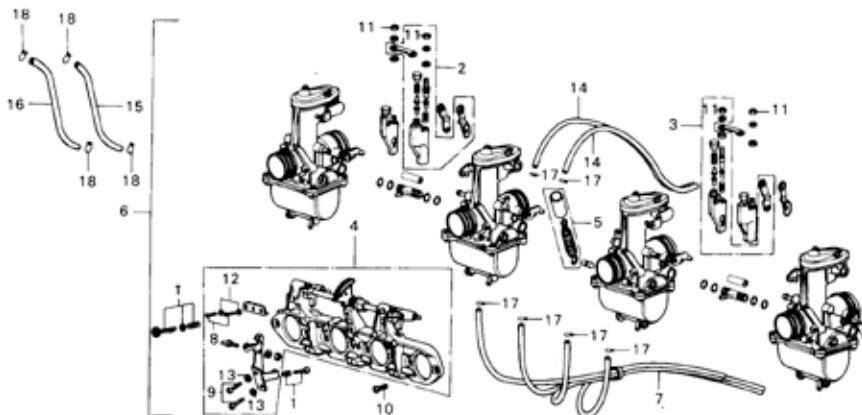
08



Block No.

E-17

Carburetor

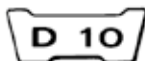


8323-103

Service Item	F.R.T.	Ref. No.	Part No.	Description	Reqd. No. CB500K2	Serial No.	Area Code
CARBURETOR ASSY.	0.8	1	16028-323-004	SCREW SET #	1		
STAY PLAY SET	1.5	2	16029-323-004	HOLDER SET A; ADJUST	2		
ADJUST HOLDER SET	1.1	3	16030-323-004	HOLDER SET B; ADJUST	2		
SCREW SET	0.2	4	16035-390-004	PLATE SET; STAY	1		
		5	16036-390-004	TUBE SET; PROTECT	1		
		6	16100-323-014	CARBURETOR ASSY.	1		F
			16100-323-611	CARBURETOR ASSY.	1		E16
		7	16290-323-000	TUBE ASSY.; OVER FLOW	1		
		8	93500-05012-0A	SCREW; PAN; 5X12	2		
		9	93500-06012	SCREW; PAN; 6X12	2		
		10	93600-06016	SCREW; FLAT; 6X16	8		
		11	94001-05000-0S	NUT; HEX.; 5MM	4		
		12	94111-05000	WASHER; SPRING; 5MM	2		
		13	94111-06000	WASHER; SPRING; 6MM	2		
		14	95001-35330-40	TUBE; FUEL; 3.5X330	2		
		15	95001-55170-40	TUBE; FUEL; 5.5X170	1		
		16	95001-55280-40	TUBE; FUEL; 5.5X280	1		
		17	95002-02070	CLIP; TUBE; B7	6		
		18	95002-02100	CLIP; TUBE; B10	4		

1976.05.20

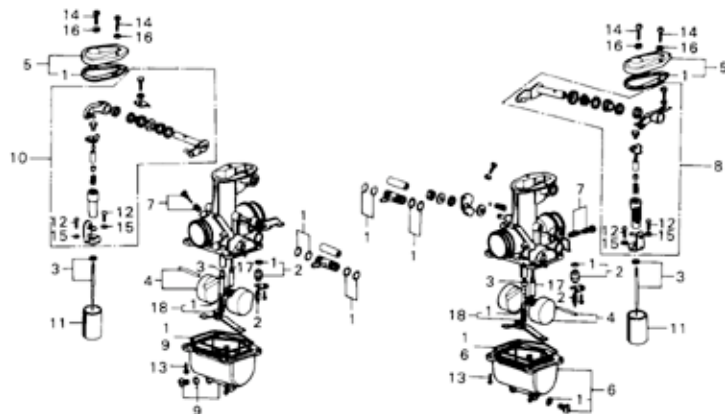
09



Block No.

E-17-1

**Carburetor
(Component Parts)**



8374-28

Service Item	F.R.T.	Ref. No.	Part No.	Description	Reqd. No. CB500K2	Serial No.	Area Code
GASKET SET	1.5	1	16010-323-004	GASKET SET	4		
•Add 0.6		2	16011-329-004	VALVE SET+ FLOAT	4		
JET NEEDLE SET	1.1	3	16012-323-004	NEEDLE SET+ JET	4		
•FLOAT/FLOAT VALVE SET		4	16013-329-004	FLOAT SET	4		
•Add 0.3		5	16014-323-004	TOP SET	4		
JET and its related parts (Exclude JET NEEDLE)	1.0	6	16015-323-004	CHAMBER SET A+ FLOAT	2		
•Add 0.2		7	16016-323-004	SCREW SET A	4		
FLOAT CHAMBER SET	0.9	8	16018-323-004	ARM SET A+ LINK	2		
•Add 0.1		9	16023-323-004	CHAMBER SET B+ FLOAT	2		
TOP SET	0.8	10	16031-323-004	ARM SET B+ LINK	2		
•Add 0.1		11	16111-323-004	VALVE+ THROTTLE	4		
		12	93500-03010-0A	SCREW+ PAN+ 3X10	8		
		13	93500-04010-0A	SCREW+ PAN+ 4X10	20		
		14	93500-05016-0A	SCREW+ PAN+ 5X16	8		
		15	94111-03000	WASHER+ SPRING+ 3MM	8		
		16	94111-05000	WASHER+ SPRING+ 5MM	8		
		17	94124-076-0400	JET+ SLOW+ (#40)	4		
		18	99202-601-0780	JET SET+ MAIN (#78)	4		E+G
			99202-601-1000	JET SET+ SECONDARY MATN (#100)	4		F

1976.05.20

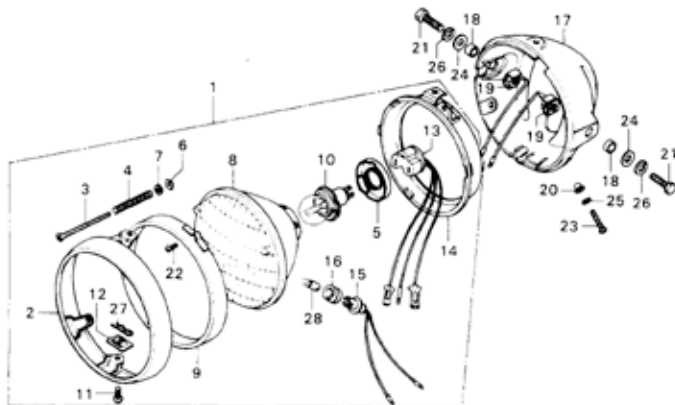
010

G 2

Block No.

F-1

Head Light



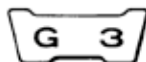
8341-2

Service Item	F.R.T.	Ref. No.	Part No.	Description	Reqd. No. CB500K2	Serial No.	Area Code
HEADLIGHT CASE	0.3	1	33100-390-611	LIGHT ASSY., HEAD (12V45/40W STANLEY)	1		EN+G
SEAL& BEAM UNIT and its related parts	0.2		33100-390-621	LIGHT ASSY., HEAD (12V45/40W STANLEY)	1		F
HEADLIGHT ASSY./HEADLIGHT	0.1						
CORD SOCKET		2	33101-300-673	RIM, HEAD LIGHT	1		
		3	33103-346-670	SCREW, BEAM ADJUST	1		
		4	33107-300-003	SPRING, HEAD LIGHT BEAM ADJUSTING	1		
		5	33114-390-611	HOLDER, HEAD LIGHT SOCKET	1		
		6	33117-001-003	NUT, HEAD LIGHT BEAM ADJUSTING	1		
		7	33119-371-003	WASHER, BEAM ADJUST	1		
		8	33120-390-611	LIGHT UNIT, HEAD	1		
		9	33121-375-671	RING, RETAINING	1		
		10	33122-623-621	BULB, HAED LIGHT (12V 45/40W)	1		F
			33122-623-721	BULB, HEAD LIGHT (12V45/40W) (PHILLIPS)	1		EN+G

1976.05.20

62

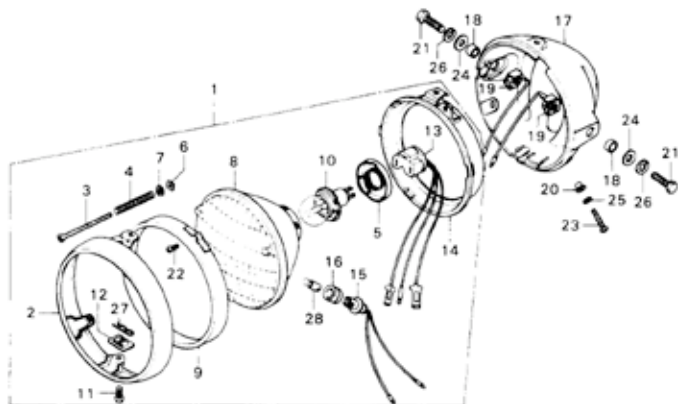




Block No.

F-1

Head Light



8341-2

Service Item

F.R.T.

Ref. No.

Part No.

Description

Reqd. No.
CB500K2

Serial No.

Area Code

11	33125-087-621	SCREW, UNIT HOLDER	2
12	33128-292-670	NUT, UNIT HOLDER	2
13	33130-300-671	SOCKET COMP., HEAD LIGHT CORD	1
14	33153-375-671	RING, MOUNTING	1
15	33170-390-611	SOCKET COMP., MARKER LIGHT	1
16	33905-303-003	RUBBER, JOINT	1
17	61301-300-070B	CASE, HEAD LIGHT	1
18	61302-300-000	COLLAR, HEAD LIGHT CASE	2
19	61303-336-000	WASHER, HEAD LIGHT CASE	2
20	61304-292-000	COLLAR, HEAD LIGHT SETTING	3

1976-05-20

53

FRAME GROUP

Courtesy of

www.hondafour.com



Honda4Fun
www.honda4fun.com

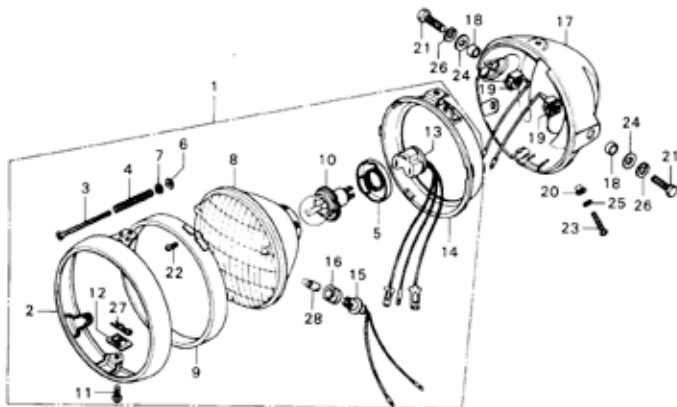
35

G 4

Block No.

F-1

Head Light



8341-2

Service Item	F.R.T.	Ref. No.	Part No.	Description	Reqd. No. CB500K2	Serial No.	Area Code
		21	92000-10025-08	BOLT, HEX., 10X25	2		
		22	93500-03012-1A	SCREW, PAN., 3X12	2		
		23	93500-05016-08	SCREW, PAN., 5X16	3		
		24	94101-10200	WASHER, PLAIN, 10MM	2		
		25	94111-05000	WASHER, SPRING, 5MM	3		
		26	94111-10800	WASHER, SPRING, 10MM	2		
		27	94251-05000	PIN, LOCK, 5MM	2		
		28		BULB, MARKER LIGHT (LOCAL PROCUREMENT)	1		

1976.05.20

G4

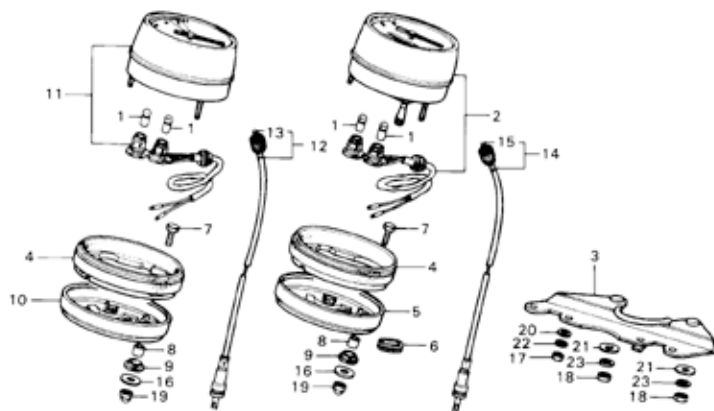


G 5

Block No.

F-2

Speedometer
Tachometer



1074-30

Service Item	F.R.T.	Ref. No.	Part No.	Description	Reqd. No. CB500K2	Serial No.	Area Code
METER SET PLATE	0.5	1	34902-259-000	BULB; DUSH (12V 3.4W)	4		
SPEEDOMETER ASSY.	0.3	2	37200-390-681	SPEEDOMETER ASSY.	1		
•TACHOMETER ASSY.		3	37211-323-701	PLATE; METER SET	1		
SPEEDOMETER CUSHION/UNDER PLATE	0.2	4	37235-323-700	CUSHION; SPEEDOMETER	2		
•TACHOMETER CABLE		5	37236-323-700	PLATE; SPEEDOMETER UNDER	1		
SPEEDOMETER CABLE	0.1	6	37237-323-700	GROMMET; METER PLATE	1		
•TACHOMETER INNER CABLE		7	37238-323-700	HOLT; METER SET; 6MM	4		
•DUSH BULB		8	37243-323-700	COLLAR; METER SET	4		
		9	37244-307-670	RUBBER; METER SET	4		
		10	37246-323-700	PLATE; TACHOMETER UNDER	1		
		11	37250-390-771	TACHOMETER ASSY.	1		
			37250-390-772	TACHOMETER ASSY.	1		
		12	37260-390-000	CABLE ASSY.; TACHOMETER	1		
		13	37261-390-000	CABLE; TACHOMETER INNER	1		
		14	44830-390-000	CABLE ASSY.; SPEEDOMETER	1		
		15	44831-323-000	CABLE; SPEEDOMETER INNER	1		
		16	90545-323-700	WASHER; 6.5X18	4		
		17	94001-06070	NUT; HEX.; 6MM	4		
		18	94001-08070-05	NUT; HEX.; 8MM	2		
		19	94021-06020	NUT; HEX.; CAP.; 6MM	4		
		20	94101-06700	WASHER; PLAIN; 6MM	4		
		21	94101-08700	WASHER; PLAIN; 8MM	2		
		22	94111-06700	WASHER; SPRING; 6MM	4		
		23	94111-08700	WASHER; SPRING; 8MM	2		

1976-05-20

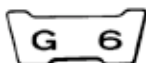
55

Courtesy of
www.hondafour.com



www.honda4fun.com

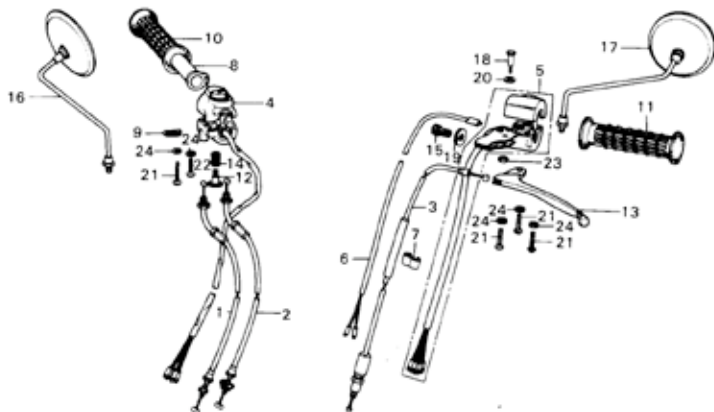
37



Block No.

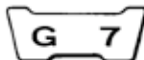
F-3

**Handle Lever •
Switch • Cable**



9374-31

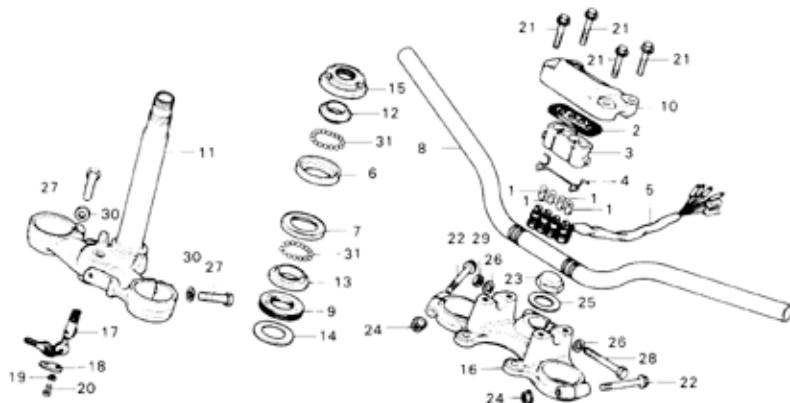
Service Item	F.R.T.	Ref. No.	Part No.	Description	Reqd. No. CB500K2	Serial No.	Area Code
STARTER KILL SWITCH ASSY.	0.6	1	17910-323-620	CABLE COMP. A+ THROTTLE	1		
WINKER SWITCH ASSY.	0.5	2	17920-323-620	CABLE COMP. B+ THROTTLE	1		
THROTTLE CABLE	0.5	3	22870-323-621	CABLE COMP.+ CLUTCH	1		
*One or all		4	35150-341-600	SWITCH ASSY.+ STARTER & KILL	1		
CLUTCH CABLE	0.4	5	35200-341-600	SWITCH ASSY.+ WINKER	1		
CLUTCH LEVER SWITCH	0.2	6	35360-341-000	SWITCH ASSY.+ CLUTCH LEVER	1		
*THROTTLE GRIP PIPE		7	45465-341-700	CLIP+ WIRE	1		
GRIP RUBBER	0.1	8	53141-300-010	PIPE+ THROTTLE GRIP	1		
*STEERING HANDLE LEVER		9	53163-300-020	ADJUSTER+ THROTTLE GRIP	1		
BACK MIRROR	0.1	10	53165-342-670	RUBBER+ RIGHT GRIP	1		
*One or all		11	53166-342-670	RUBBER+ LEFT GRIP	1		ED+G
		12	53190-300-000	BOLT+ THROTTLE GRIP ADJUSTING	1		F
		13	53190-369-700	LEVER COMP.+ LEFT STEERING	1		F
		14	53191-300-000	SPRING+ THROTTLE ADJUSTER	1		FD+G
		15	53192-312-000	BOLT+ CLUTCH CABLE ADJUST	1		
		16	88100-331-610	MIRROR+ RIGHT BACK	1		
			88110-304-621	MIRROR+ RIGHT BACK	(1)		
		17	88120-304-621	MIRROR+ LEFT BACK	1		
			88120-333-610	MIRROR+ LEFT BACK	1		
		18	90114-268-020	BOLT+ HANDLE LEVER PIVOT	1		
		19	90321-315-670	NUT+ FIXING	1		
		20	90501-310-000	WASHER+ TX12	1		
		21	93500-05025-0A	SCREW+ PAN. 5X25	4		
		22	93500-05032-0A	SCREW+ PAN. 5X32	1		
		23	94001-06000	NUT+ HEX. 6MM	1		
		24	94111-05000	WASHER+ SPRING. 5MM	5		
			1976.05.20		66		



Block No.

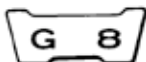
F-4

**Handle Pipe •
Top Bridge • Stem**



8323-90

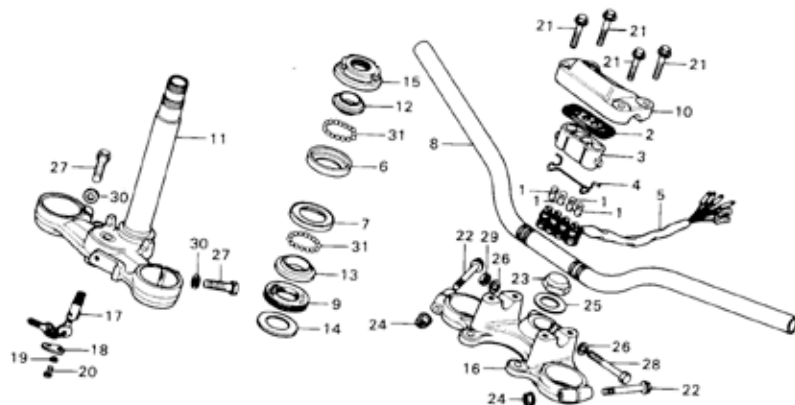
Service Item	F.R.T.	Ref. No.	Part No.	Description	Reqd. No. CB500K2	Serial No.	Area Code
STEERING HANDLE PIPE	1.2	1	34902-259-000	BULB+ DUSH (12V 3.4W)	4		
STEERING BALL RACE	1.0	2	37576-323-000	BASE+ LAMP SOCKET	1		
*One or all		3	37577-341-000	SOCKET+ PILOT LAMP	1		
STEERING STEM and its related parts	0.8	4	37579-341-010	SPRING+ LAMP SOCKET SET	1		
FORK TOP BRIDGE	0.6	5	37581-374-670	CORD COMP.+ PILOT LAMP	1		
STEERING HEAD TOP THREAD/TOP CONE RACE	0.5	6	50301-268-305	RACE+ STEERING TOP BALL	1		
PILOT LAMP CORD	0.3	7	50302-268-305	RACE+ STEERING BOTTOM BALL	1		
STEERING STEM NUT	0.2	8	53100-390-620	PIPE+ STEERING HANDLE	1		
HANDLE UPPER HOLDER	0.1	9	53124-250-000	SEAL+ STEERING HEAD DUST	1		
		10	53133-374-670	HOLDER+ UPPER	1		
		11	53200-323-611H	STEM COMP.+ STEERING	1		
		12	53211-268-305	RACE+ STEERING TOP CONE	1		
		13	53212-250-305	RACE+ STEERING BOTTOM CONE	1		
		14	53215-250-000	WASHER+ STEERING HEAD DUST	1		
		15	53220-286-000	THREAD COMP.+ STEERING HEAD SEAL TOP	1		
		16	53230-323-020	BRIDGE+ FORK TOP	1		
		17	53600-051-000	LOCK COMP.+ HANDLE	1		
		18	53601-051-000	PLATE+ HANDLE LOCK CASE COVER	1		
		19	53602-051-000	WASHER+ HANDLE LOCK CASE COVER PLATE SET	1		
		20	53603-051-000	RIVET+ 4MM	1		
		21	90111-362-000	BOLT+ FLANGE, 8X36	4		
		22	90155-369-000	BOLT+ FLANGE, 7MM	2		
		23	90304-323-670	NUT+ STEERING STEM	1		
			1976.05.20		67		



Block No.

F-4

**Handle Pipe ·
Top Bridge · Stem**

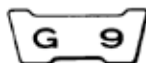


9323-90

Service Item	F.R.T.	Ref. No.	Part No.	Description	Reqd. No. CB500K2	Serial No.	Area Code
		24	90355-369-000	NUT, FLANGE, 7MM	2		
		25	90503-283-000	WASHER, STEERING STEM	1		
		26	90555-283-000	WASHER, SPECIAL, 8MM	2		
		27	92000-10035-08	BOLT, HEX., 10X35	2		
		28	93000-08074-08	BOLT, HEX., 8X74	1		
		29	94001-08020-05	NUT, HEX., 8MM	1		
		30	94102-10000	WASHER, PLAIN, 10MM	2		
		31	96211-08000	BALL, STEEL, #8	37		

1976.05.20

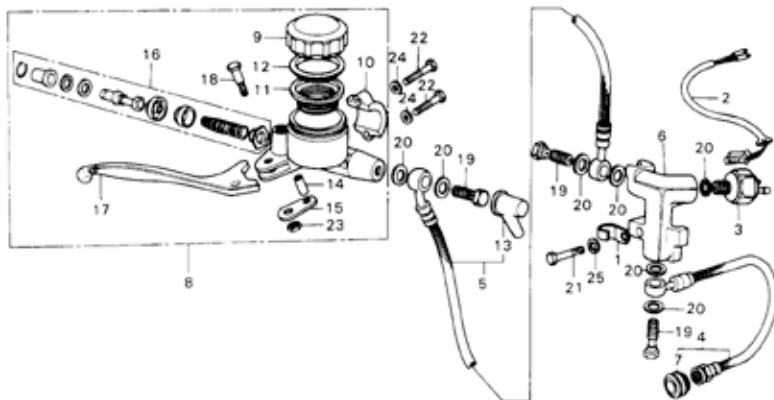
G8



Block No.

F-5

**Master Cylinder •
Brake Hose**



8374-33

Service Item	F.R.T.	Ref. No.	Part No.	Description	Reqd. No. CB500K2	Serial No.	Area Code
MASTER CYLINDER SET	0.4	1	32111-323-000	CLAMPER, CORD	1		
MASTER CYLINDER ASSY.	0.3	2	35345-319-000	CORD, FRONT STOP SWITCH SUB	1		
•3 WAY JOINT		3	35350-300-016	SWITCH, STOP (NAILS)	1		
FRONT BRAKE HOSE	0.3	4	45125-379-003	HOSE & ASSY., FRONT BRAKE	1		
•One or all		5	45126-323-621	HOSE ASSY., R. FRONT BRAKE (NICHIRIN)	1		
STOP SWITCH	0.2						
MASTER CYLINDER HOLDER	0.1	6	45127-323-000	JOINT, 3 WAY	1		
•OIL CUP CAP/DIAPHRAGM		7	45146-300-000	GROMMET, BRAKE HOSE	1		
•STEERING HANDLE LEVER		8	45500-346-621	CYLINDER ASSY., MASTER	1		
		9	45513-341-671	CAP, OIL CUP	1		
		10	45517-300-003	HOLDER, MASTER CYLINDER	1		
		11	45520-300-000	DIAPHRAGM	1		
		12	45521-300-010	PLATE, DIAPHRAGM	1		
		13	45522-300-010	BOOT, MASTER CYLINDER	1		
		14	45526-341-000	BUSH, RIGHT HANDLE LEVER	1		
		15	45527-300-000	PLATE, LEVER RUSH SETTING	1		
		16	45530-377-305	CYLINDER SET, MASTER	1		
		17	53170-369-003	LEVER COMP., RIGHT STEERING HANDLE (TOYO)	1		
		18	90114-300-000	BOLT, HANDLE LEVER PIVOT	1		
		19	90145-300-000	BOLT, OIL	3		
		20	90545-300-000	WASHER, OIL BOLT	7		
		21	92000-06028	BOLT, HEX., 6x28	1		
		22	93000-06025-02	BOLT, HEX., 6x25	2		
		23	94002-06000	NUT, HEX., 6MM	1		

1976.05.20

69

Courtesy of
www.hondafour.com

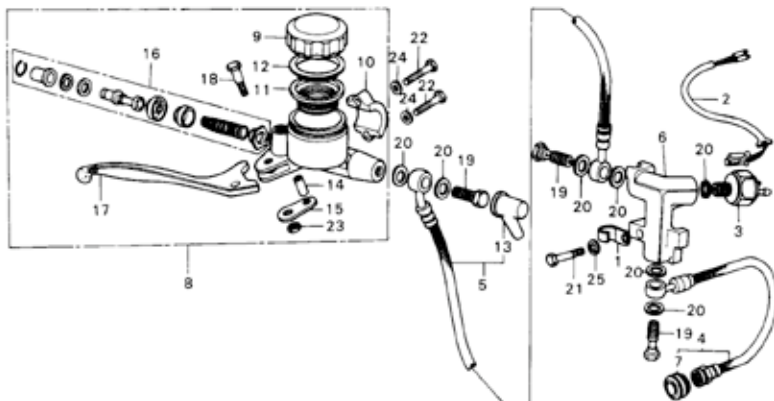


Honda4Fun
www.honda4fun.com

41

G 10

Block No.

F-5**Master Cylinder •
Brake Hose**

0374-33

Service Item

F.R.T.

Ref.
No.

Part No.

Description

Reqd. No.
CB500K2

Serial No.

Area Code

24	94101-06000	WASHER, PLAIN, 6MM	2
25	94111-06000	WASHER, SPRING, 6MM	1

1976.05.20

610



G 11

Block No.

F-6**Front Fender**

8323-102

Service Item	F.R.T.	Ref. No.	Part No.	Description	Reqd. No. CB500K2	Serial No.	Area Code
FRONT FENDER	0.5	1	40513-310-000	RUBBER, CHAIN CASE MOUNT	6		
WIRE GROMMET	0.1	2	40514-310-000	COLLAR, CHAIN CASE	6		
		3	45451-283-000	GROMMET, WIRE	1		
		4	61100-341-700X4	FENDER COMP., FRONT	1		
		5	92000-06020	BOLT, HEX., 6X20	6		

1976.05.20

G11

Courtesy of

www.hondafour.com

Honda4Fun
www.honda4fun.com

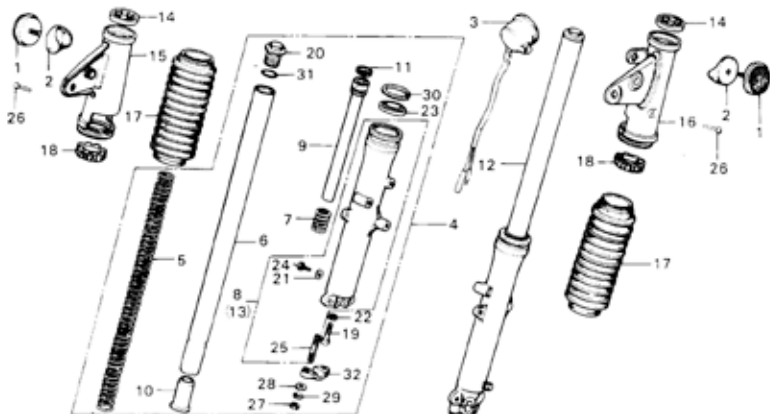
43

G 12

Block No.

F-7

Front Fork



1023-91

Service Item	F.R.T.	Ref. No.	Part No.	Description	Reqd. No. CB500K2	Serial No.	Area Code
FRONT FORK BOTTOM CASE/35 x 48 x 11	0.7	1	33741-340-670	REFLECTOR, FRONT REFLEX	2		ED+G
OIL SEAL		2	33743-341-670	BASE, FRONT REFLEX REFLECTOR	2		ED+G
*One motorcycle 1.0		3	38400-341-674	HUZZER ASSY., WINKER	1		
FRONT FORK PIPE/BOTTOM PIPE	0.6	4	51400-374-013	FORK ASSY., RIGHT FRONT	1		
and its related parts		5	51401-374-003	SPRING, FRONT CUSHION	2		
*FORK COVER		6	51410-374-003	PIPE, FRONT FORK	2		
FRONT FORK ASSY./BOOT	0.5	7	51412-340-000	SPRING, FRONT FORK REBOUND	2		
*One motorcycle 0.8		8	51421-341-701	CASE, RIGHT FRONT FORK BOTTOM	1		
WINKER BUZZER	0.3	9	51430-374-003	PIPE COMP., BOTTOM	2		
FRONT CUSHION SPRING	0.2	10	51432-340-000	PIECE, OIL LOCK	2		
AXLE HOLDER	0.1	11	51437-329-010	RING, PISTON	2		
*FRONT FORK BOLT		12	51500-374-013	FORK ASSY., LEFT FRONT	1		
*FRONT REFLEX REFLECTOR/BASE		13	51521-341-701	CASE, LEFT FRONT FORK BOTTOM	1		
		14	51601-323-000	CUSHION, FRONT FORK	2		
		15	51602-374-000	UPPER COVER COVER, RIGHT FRONT FORK UPPER	1		
		16	51606-374-000	COVER, LEFT FRONT FORK UPPER	1		
		17	51611-300-000	BOOT, FRONT FORK	2		
		18	51622-323-000	CUSHION B, FRONT FORK COVER	2		
		19	90116-283-010	BOLT, SOCKET, 8MM	2		
		20	90123-300-000	BOLT, FRONT FORK	2		
		21	90543-273-000	PACKING, FRONT FORK DRAIN COCK	2		
		22	90544-283-000	WASHER, SPECIAL, 8MM	2		
		23	91255-300-033	OIL SEAL, 35X48X11	2		
		24	92000-06010	BOLT, HEX., 6X10	2		
		25	92700-08050-30	BOLT, STUD, 8X50	4		

1975.05.20

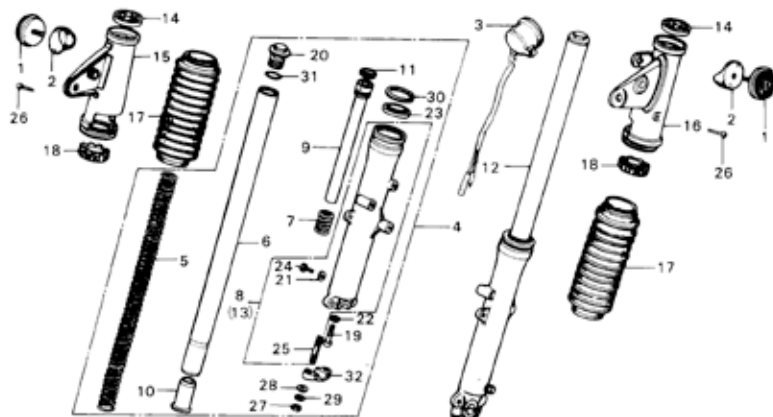
612

G 13

Block No.

F-7

Front Fork



9323-91

Service Item	F.R.T.	Ref. No.	Part No.	Description	Reqd. No. CB500K2	Serial No.	Area Code
		26	93500-06006-02	SCREW, PAN, 6X6	2		F
		27	94030-08000	NUT, HEX., 8MM	4		
		28	94101-08000	WASHER, PLAIN, 8MM	4		
		29	94111-08000	WASHER, SPRING, 8MM	4		
		30	94521-48000	CIR. CLIP, INTERNAL, 48MM	2		
		31	94608-50000	O-RING, 23X2.8	2		
		32	95014-41000	HOLDER, AXLE	2		

1976-05-20

613

Courtesy of

www.hondafour.com



www.honda4fun.com

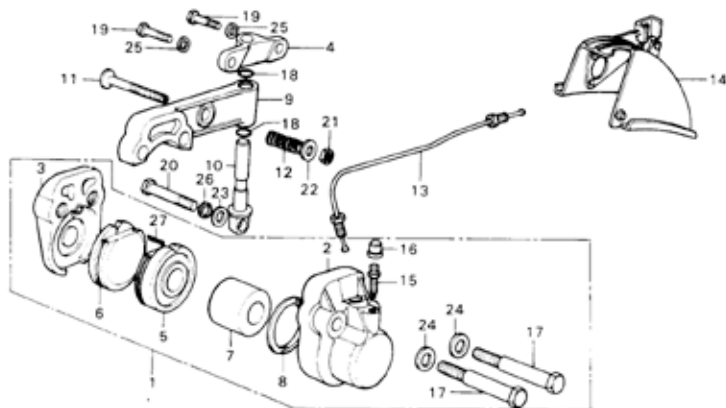
45

G 14

Block No.

F-8

Front Brake Caliper



8374-36

Service Item	F.R.T.	Ref. No.	Part No.	Description	Reqd. No. CB500K2	Serial No.	Area Code
CALIPER A/PISTON	0.4	1	45100-390-003	CALIPER ASSY.*	1		
CALIPER ASSY.	0.3	2	45101-323-013	CALIPER A (TOKIKO)	1		
*CALIPER HOLDER		3	45102-323-003	CALIPER B (TOKIKO)	1		
*FRONT BRAKE PIPE		4	45104-317-700	JOINT; CALIPER HOLDER	1		
CALIPER B/PAD B	0.2	5	45105-390-003	PAD COMP. A (TOKIKO)	1		
*PAD A			45105-390-006	PAD COMP. A (SASAHII)	1		
*BLEEDER VALVE		6	45106-390-003	PAD COMP. B (TOKIKO)	1		
*CALIPER HOLDER PIN			45106-390-006	PAD COMP. B (SASAHII)	1		
DISK COVER	0.1	7	45107-323-020	PISTON COMP.	1		
*CALIPER HOLDER JOINT		8	45108-300-003	SEAL; PISTON (TOKIKO)	1		
		9	45115-390-003	HOLDER; CALIPER	1		
		10	45116-323-020	PIN; CALIPER HOLDER	1		
		11	45117-341-700	BOLT; CALIPER ADJUSTING	1		
		12	45119-300-020	SPRING; CALIPER ADJUSTING	1		
		13	45128-323-020	PIPE; FRONT BRAKE	1		
		14	45140-323-670	COVER COMP.; DISK	1		
		15	45224-579-013	VALVE; BLEEDER	1		
		16	45225-579-013	CAP; BLEEDER	1		
		17	90165-323-000	HOLT; CALIPER SETTING	2		
		18	91259-333-000	O-RING; 9.5X1.7	2		
		19	92200-06025	BOLT; HEX.; 6X25	2		
		20	92200-08035-0A	BOLT; HEX.; 8X35	1		
		21	94001-06000	NUT; HEX.; 6MM	1		
		22	94101-06000	WASHER; PLAIN; 6MM	1		
		23	94101-08000	WASHER; PLAIN; 8MM	1		
		24	94102-10000	WASHER; PLAIN; 10MM	2		

1976.05.20

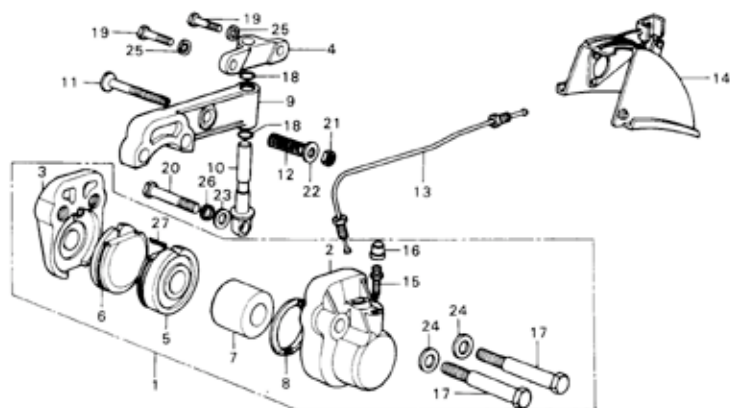
614

G 15

Block No.

E-8

Front Brake Caliper



8374-36

Service Item	F.R.T.	Ref. No.	Part No.	Description	Reqd. No. CB500K2	Serial No.	Area Code
		25	94111-06000	WASHER+ SPRING+ 6MM	2		
		26	94111-08000	WASHER+ SPRING+ 8MM	1		
		27	94201-16220	PIN+ SPLIT+ 1.6X22	1		

1976.05.20

515

Courtesy of



Honda4Fun

www.honda4fun.com

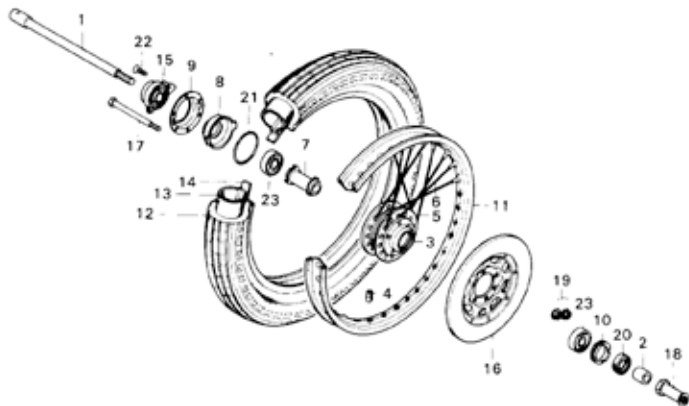
www.honda4fun.com

G 16

Block No.

F-9

Front Wheel - Disk

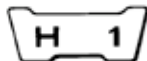


6341-11

Service Item	F.R.T.	Ref. No.	Part No.	Description	Reqd. No. CS500K2	Serial No.	Area Code
FRONT WHEEL HUB	2.9	1	44301-300-000	AXLE* FRONT WHEEL	1		
FRONT WHEEL RIM	2.2	2	44311-300-000	COLLAR* FRONT WHEEL SIDE	1		
FRONT WHEEL TIRE/TUBE/TIRE FLAP	0.9	3	44601-300-040	HUB* FRONT WHEEL	1		
BALANCER	0.8	4	44606-283-000	BALANCER (20G)	N		
FRONT AXLE DISTANCE COLLAR/BALL BEARING	0.6		44607-283-000	BALANCER (15G)	N		
			44608-283-000	BALANCER (10G)	N		
			44609-283-000	BALANCER (5G)	N		
Add 0.1 at ball bearing		5	44606-300-003	SPOKE A FRONT (DA100)	20		
FRONT WHEEL BEARING RETAINER	0.5	6	44607-300-003	SPOKE B* FRONT (DA100)	20		
FRONT BRAKE DISK	0.4	7	44620-300-020	COLLAR* FRONT AXLE DISTANCE	1		
GEAR BOX RETAINER		8	44641-341-000	RETAINER GEAR BOX	1		
SPEEDOMETER GEAR BOX/FRONT WHEEL AXLE	0.3	9	44642-300-020	COVER* GEAR BOX RETAINER	1		
		10	44643-300-000	RETAINER* FRONT WHEEL BEARING	1		
		11	44701-300-013	RIM* FRONT WHEEL (19 DA100)	1		
		12	44711-375-003	TIRE* FRONT WHEEL (3.255-19 BS)	1		
		13	44712-300-003	TUBE* TIRE (3.25/3.50-19 BS)	1		
		14	44713-300-003	FLAP* TRE (1.85-19 BS)	1		
		15	44800-323-000	BOX ASSY.* SPEEDOMETER GEAR	1		
		16	45120-374-700	DISK COMP.* FRONT BRAKE	1		
		17	90122-300-020	BOLT* Mx10Z	6		
		18	90305-300-000	NUT* FRONT AXLE	1		
		19	90309-357-000	NUT* HEX.* BMH	6		
		20	91252-300-003	DUST SEAL* 22X36X8	1		
		21	91302-300-000	O-RING* 58X2	1		
		22	93700-05015-0A	SCREW* OVAL* 5X15	1		
		23	96140-63020	BEARING* BALL* 6302	2		

1976-05-20

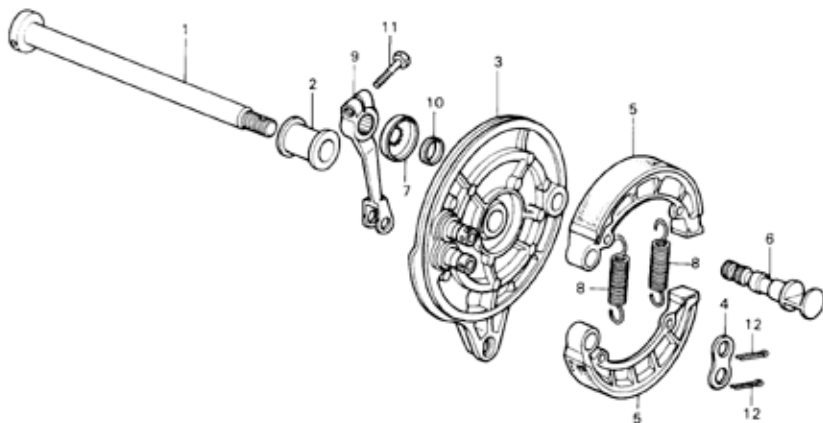
G16



Block No.

F-10

Rear Brake Panel



8374-37

Service Item	F.R.T.	Ref. No.	Part No.	Description	Reqd. No. CB500K2	Serial No.	Area Code
REAR BRAKE PANEL and its related parts	0.6	1	42301-300-010	AXLE, REAR WHEEL	1		
REAR BRAKE PANEL SIDE COLLAR/ CHAIN ADJUSTER	0.4	2	42313-323-010	COLLAR, REAR BRAKE PANEL SIDE	1		
		3	43100-374-000	PANEL COMP., REAR BRAKE	1		
REAR BRAKE ARM and its related parts	0.1	4	43102-319-000	WASHER, ANCHOR PIN	1		
		5	43120-283-000	SHOE COMP., REAR BRAKE	2		
		6	43141-374-000	CAM, REAR BRAKE	1		
		7	43145-374-000	PLATE, BRAKE INDICATOR	1		
		8	43151-346-000	SPRING, REAR BRAKE SHOE	2		
		9	43411-374-000	ARM, REAR BRAKE	1		
		10	45134-250-000	SEAL, BRAKE CAM DAST	1		
		11	92000-06020	BOLT, HEX., 6X20	1		
		12	94201-25200	PIN, SPLIT, 2.5X20	2		

1976.05.20

H1

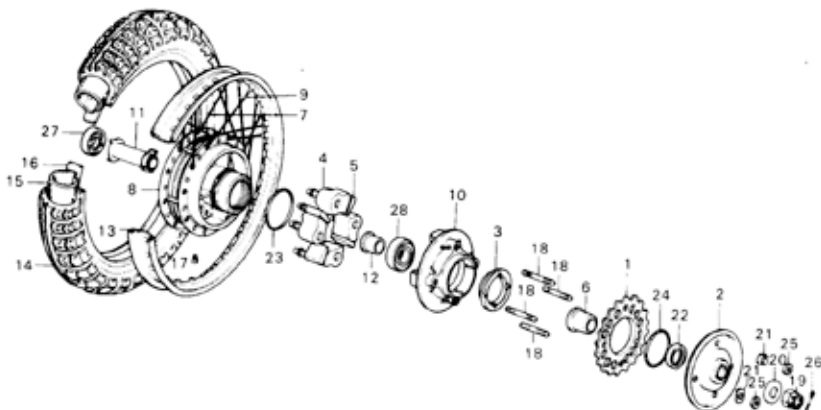


H 2

Block No.

F-11

Rear Wheel

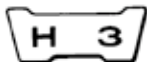


8374-38

Service Item	F.R.T.	Ref. No.	Part No.	Description	Reqd. No. CB500K2	Serial No.	Area Code
REAR WHEEL HUB	2.8	1	41201-323-010	SPROCKET, FINAL DRIVEN (34T)	1		
REAR WHEEL RIM	2.4	2	41211-323-000	PLATE, SPROCKET SIDE	1		
REAR WHEEL TIRE/TUBE/TIRE FLAP	1.1	3	41231-323-020	RETAINER, REAR WHEEL RIMMING	1		
FINAL DRIVE FLANGE	1.0	4	41242-323-000	DAMPER A, REAR	4		
BALANCER	0.9	5	41243-323-000	DAMPER B, REAR	4		
REAR AXLE DISTANCE COLLAR/BALL BEARING	0.7	6	42311-323-040	COLLAR, REAR WHEEL SIDE	1		
		7	42601-283-000	SPOKE A, REAR	20		
		8	42601-323-030	HUB COMP., REAR WHEEL	1		
*Add 0.1 at ball bearing		9	42604-283-000	SPOKE B, REAR	20		
10 x 48 STUD BOLT	0.6	10	42610-323-000	FLANGE, FINAL DRIVE	1		
*Add 0.1							
REAR WHEEL BEARING RETAINER	0.6	11	42620-323-030	COLLAR, REAR AXLE DISTANCE	1		
34 x 55 x 9 OIL SEAL		12	42625-283-000	COLLAR B, REAR AXLE DISTANCE	1		
REAR DAMPER	0.6	13	42701-283-003	RIM, REAR WHEEL (18 0&100)	1		
*One motorcycle 0.7		14	42711-377-003	TIRE, REAR WHEEL (3.50S-18)	1		
FINAL DRIVEN SPROCKET	0.5			(RS)			
CHAIN ADJUSTER/REAR WHEEL AXLE	0.4	15	42712-287-003	TUBE, REAR WHEEL (3.50-18 RS)	1		
		16	42713-286-003	FLAP, TIRE (RS)	1		
		17	44606-283-000	BALANCER (20G)	N		
			44607-283-000	BALANCER (15G)	N		
			44608-283-000	BALANCER (10G)	N		
			44609-283-000	BALANCER (5G)	N		
		18	90125-323-000	BOLT, STUD, 10X48	4		
		19	90306-268-000	NUT, REAR WHEEL AXLE	1		
		20	00523-292-000	WASHER 18.5X34	1		
		21	90524-323-000	WASHER, TONGUED, 10MM	4		
		22	90753-283-000	OIL SEAL, 34X55X9	1		

1976.05.20

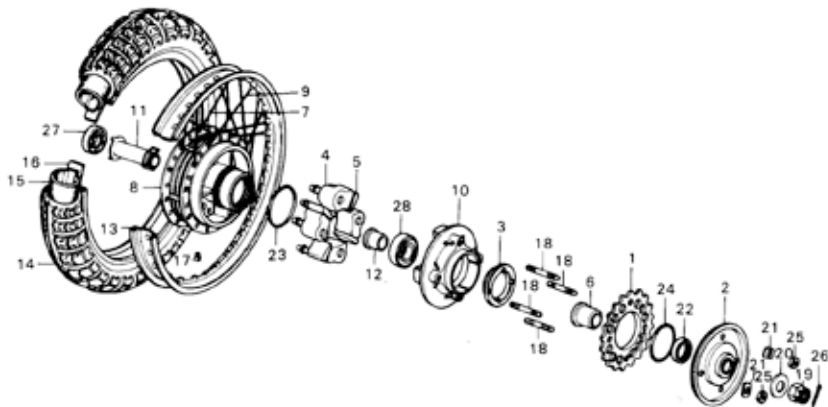
H2



Block No.

F-11

Rear Wheel



8374-38

Service Item	F.R.T.	Ref. No.	Part No.	Description	Reqd. No. CB500K2	Serial No.	Area Code
		23	91261-323-000	O-RING, 79X2.6	1		
		24	91262-323-000	O-RING, 92X2	1		
		25	94030-10000	NUT, HEX., 10MM	4		
		26	94201-60300	PIN, SPLIT, 4.0X30	1		
		27	96140-63040-10	BEARING, RADIAL BALL, 6304	1		
		28	96140-63050-10	BEARING, BALL, 6305U	1		

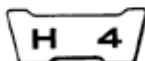
1976.05.20

H3

Courtesy of
www.hondafour.com



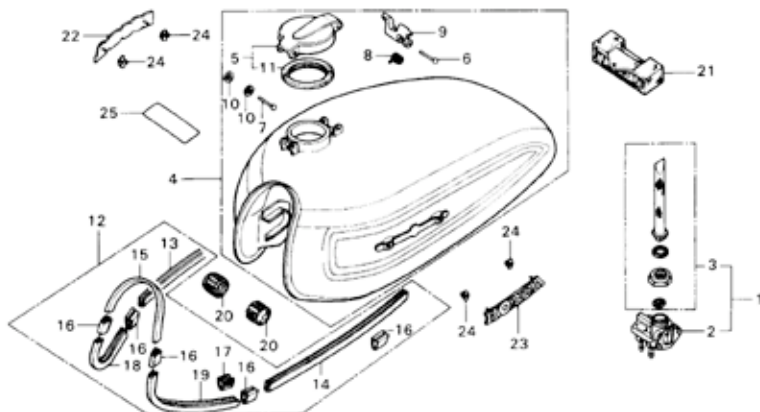
Honda4Fun
www.honda4fun.com



Block No.

F-12

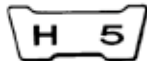
Fuel Tank • Cock



6323-92

Service Item	F.R.T.	Ref. No.	Part No.	Description	Reqd. No. GB500K2	Serial No.	Area Code
FUEL TANK SUB ASSY.	0.4	1	16950-374-671	COCK ASSY.* FUEL	1		
FUEL COCK ASSY. and its related parts	0.2	2	16951-374-671	BODY SET* FUEL	1		
FILLER LID LOCK/FUEL FILLER LID	0.1	3	16952-341-671	STRAINER SET	1		
CAP CHECK ASSY.		4	17500-374-0102#	TANK ASSY. FUEL *VR-2C*	1		
FUEL TANK EMBLEM/MOLU SET	0.1		17500-374-0102C	TANK ASSY.* FUEL *PB-3C-C*	1		
			17500-374-0102D	TANK ASSY.* FUEL *NH-5T*	1		
One or all		5	17510-323-310	CAP COMP. FUEL TANK	1		
		6	17513-300-300	PIN* FUEL FILLER CAP CHECK	1		
		7	17514-323-300	PIN B* FUEL FILLER CAP	1		
		8	17515-300-300	SPRING* FUEL FILLER CAP CHECK	1		
		9	17517-300-340	CHECK* FUEL FILLER CAP	1		
		10	17520-323-300	WASHER* FILLER CAP FRICTION	2		
		11	17534-323-300	GASKET* FUEL FILLER CAP	1		
		12	17540-323-000	MOULDING SET* FUEL TANK	1		
		13	17541-323-000	MOULDING* RIGHT FUEL TANK	1		
		14	17542-323-000	MOULDING* LEFT FUEL TANK	1		
		15	17543-323-000	MOULDING* FUEL TANK MIDDLE	1		
		16	17544-323-000	CLIP A* FUEL TANK MOULDING	6		
		17	17545-323-010	CLIP B* FUEL TANK MOULDING	17		
		18	17548-323-000	MOULDING* RIGHT TANK MIDDLE	1		
		19	17549-323-000	MOULDING* LEFT TANK MIDDLE	1		
		20	17611-283-010	CUSHION* FUEL TANK FRONT	2		
		21	17613-286-000	CUSHION* FUEL TANK REAR	1		
		22	87121-323-000	EMBLEM* RIGHT FUEL TANK	1		
		23	87122-323-000	EMBLEM* LEFT FUEL TANK	1		
		24	87311-516-000	NUT* RR. EMBLEM ATTACHING	4		
		25	87560-375-6804	MARK* DRIVE CAUTION	1		
			1976-05-20		H4		

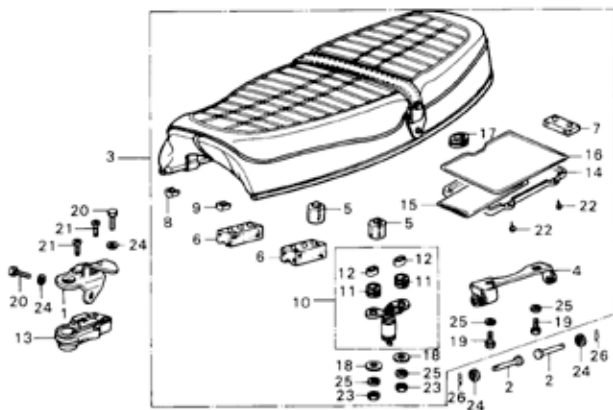




Block No.

F-13

Seat



8374-40

Service Item	F.R.T.	Ref. No.	Part No.	Description	Reqd. No. CB500K2	Serial No.	Area Code
SEAT ASSY. and its related parts	0.1	1	50223-323-010	PLATE, SEAT LOCK SET	1		
*SEAT CATCH ASSY./SEAT LOCK		2	77103-313-000	BAR, SEAT HINGE	2		
		3	77200-374-003	SEAT ASSY	1		
		4	77201-323-010	HINGE, SEAT	1		
		5	77204-286-020	RUBBER, SEAT SETTING	2		
		6	77204-292-000	RUBBER, SEAT SETTING	2		
		7	77204-312-000	RUBBER, SEAT SETTING	1		
		8	77211-323-300	GARNISH, RIGHT SEAT MOLE	1		
		9	77212-323-300	GARNISH, LEFT SEAT MOLE	1		
		10	77220-340-011	BAR ASSY., SEAT LOCK	1		
		11	77228-340-001	RUBBER, LOCK BAR CUSHION	2		
		12	77229-340-001	COLLAR, SEAT LOCK BAR	2		
		13	77230-347-003	LOCK ASSY., SEAT (TOYOSHAI)	1		
		14	77250-342-300	LID, SEAT UNDER	1		
		15	77251-342-000	BAG, SERVICE HOOK	1		
		16	77260-323-300	LID, SEAT	1		
		17	83551-300-000	GROMMET, AIR CLEANER CASE	1		
		18	90514-700-000	WASHER, TANK COLLAR LOCK	2		
		19	92000-06016	BOLT, HEX., 5X16	2		
		20	92000-06018	BOLT, HEX., 5X18	2		
		21	93600-06016-07	SCREW, FLAT, 6X16	2		
		22	93901-25080	SCREW, TAPPING, 5X8	2		
		23	94001-06000	NUT, HEX., 6MM	2		
		24	94101-06000	WASHER, PLAIN, 6MM	4		
		25	94111-06000	WASHER, SPRING, 6MM	4		
		26	94251-06000	PIN, LOCK, 6MM	2		
			1976-03-20		45		

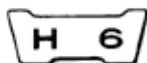
Courtesy of

www.hondafour.com



Honda4Fun

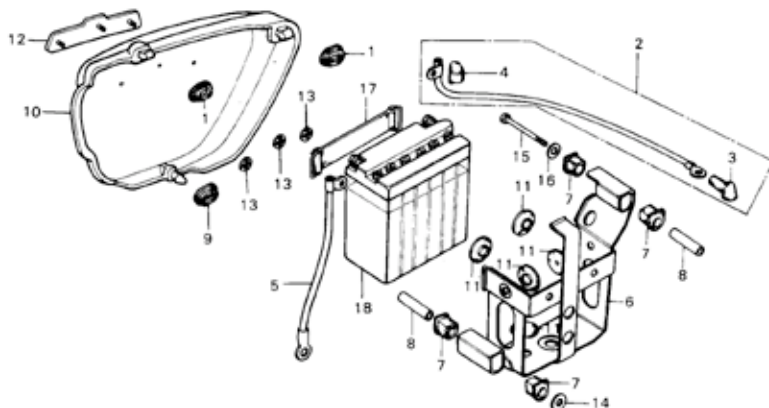
www.honda4fun.com



Block No.

F-14

Right Side Cover



0374-41

Service Item	F.R.T.	Ref. No.	Part No.	Description	Reqd. No. CB500K2	Serial No.	Area Code
BATTERY BOX	0.5	1	17247-303-000	GROMMET & AIR CLEANER CASE	2		
BATTERY CABLE	0.4	2	32401-323-000	CABLE > BATTERY STARTER	1		
SIDE COVER	0.1	3	32411-253-000	COVER > STARTING MOTOR TERMINAL	1		
		4	32412-323-000	COVER > BATTERY TERMINAL	1		
		5	32601-323-000	CABLE > BATTERY EARTH	1		
		6	50325-323-040	BOX > BATTERY	1		
		7	50331-323-000	CUSHION > BATTERY BOX	4		
		8	50332-323-000	COLLAR > BATTERY BOX	2		
		9	83551-300-000	GROMMET > AIR CLEANER CASE	1		
		10	83600-323-020EE	COVER > RIGHT SIDE	1		
			83600-323-020ZC	COVER > RIGHT SIDE *PB-3C-C*	1		
			83600-323-020ZD	COVER > RIGHT SIDE *NH-67*	1		
		11	83618-323-000	RUBBER > BATTERY BOX	6		
		12	87124-323-010	EMBLEM > SIDE COVER	1		
		13	90315-506-000	NUT > SPEED > 3MM	3		
		14	90582-703-000	WASHER > BMM	1		
		15	92000-08065-04	BOLT > HEX. > 8x65	1		
		16	94101-08000	WASHER > PLAIN > BMM	1		
		17	95012-17000	BAND > BATTERY	1		
		18	98202-22250	BATTERY, 12N12	1		

1976.05.20

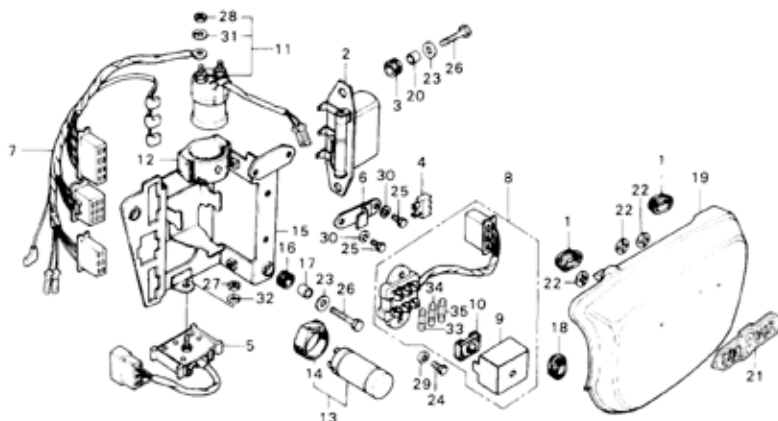
45

H 7

Block No.

F-15

**Left Side Cover •
Electric Plate**



8323-03

Service Item	F.R.T.	Ref. No.	Part No.	Description	Reqd. No. CB500K2	Serial No.	Area Code
ELECTRIC PLATE	0.6	1	17247-303-000	GROMMET A; AIR CLEANER CASE	2		
SUB WIRE HARNESS	0.5	2	31400-300-035	REGULATOR ASSY. (HITACHI)	1		
REGULATOR ASSY.	0.4	3	31403-323-000	RUBBER; REGULATOR CUSHION	2		
•BATTERY CABLE		4	31700-124-003	RECTIFIER ASSY.; SILICON (STANLEY)	1		
•STARTER MAGNETIC SWITCH		5	31700-323-015	RECTIFIER ASSY.	1		
RECTIFIER	0.1	6	31706-341-900	STAY; DIODE	1		
•TURN SIGNAL RELAY		7	32105-374-700	SUB HARNESS; FUSE	1		
•FUSE BOX		8	32110-341-701	BOX ASSY.; FUSE	1		
SIDE COVER	0.1	9	32117-341-701	COVER; FUSE BOX	1		
		10	32118-341-701	GROMMET; FUSE	1		
		11	35850-371-670	SWITCH ASSY.; STARTER MAGNETIC	1		
		12	35856-323-000	SUSPENSION; MAGNETIC SWITCH	1		
		13	38300-323-611	RELAY ASSY.; TURN SIGNAL	1		
		14	38306-323-000	SUSPENSION; TURN SIGNAL RELAY	1		
		15	50330-374-000	PLATE; ELECTRIC BASE	1		
		16	80105-061-000	CUSHION A; REAR FENDER	2		
		17	80108-061-000	COLLAR A; REAR FENDER	2		
		18	83551-300-000	GROMMET; AIR CLEANER CASE	1		
		19	83700-323-020EE	COVER; LEFT SIDE	1		
			83700-323-020ZC	COVER; LEFT SIDE *PB-3C-C*	1		
			83700-323-020ZD	COVER; LEFT SIDE *NH-9T*	1		
		20	84706-286-000	COLLAR; NUMBER BRACKET SET	2		

1976.05.20

H7

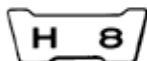
Courtesy of

www.hondafour.com



Honda4Fun

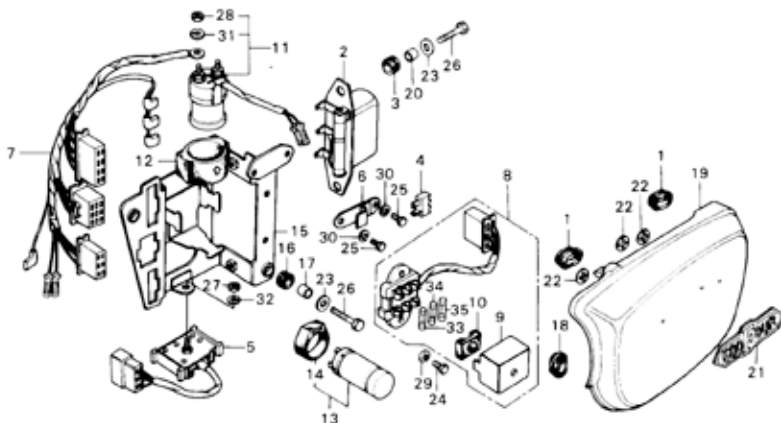
www.honda4fun.com



Block No.

F-15

**Left Side Cover -
Electric Plate**



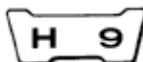
8323-93

Service Item	F.R.T.	Ref. No.	Part No.	Description	Reqd. No. CB500K2	Serial No.	Area Code
		21	87124-323-610	EMBLEM, SIDE COVER	1		
		22	90315-504-000	NUT, SPEED, 3MM	3		
		23	90581-701-000	WASHER, 18MM	4		
		24	92000-05014-0A	BOLT, HEX., 5X14	2		
		25	92000-06016	BOLT, HEX., 6X16	2		
		26	92000-06020	BOLT, HEX., 6X20	4		
		27	94001-08000-0S	NUT, HEX., 8MM	1		
		28	94002-06300	NUT, HEX., 6MM	2		
		29	94101-05000	WASHER, PLAIN, 5MM	2		
		30	94101-06000	WASHER, PLAIN, 6MM	2		
		31	94111-06000	WASHER, SPRING, 6MM	2		
		32	94111-08000	WASHER, SPRING, 8MM	1		
		33	98200-10500	FUSE, 5A	2		
		34	98200-10700	FUSE, 7A	2		
		35	98200-11500	FUSE, 15A	2		

1976,05,20

H8

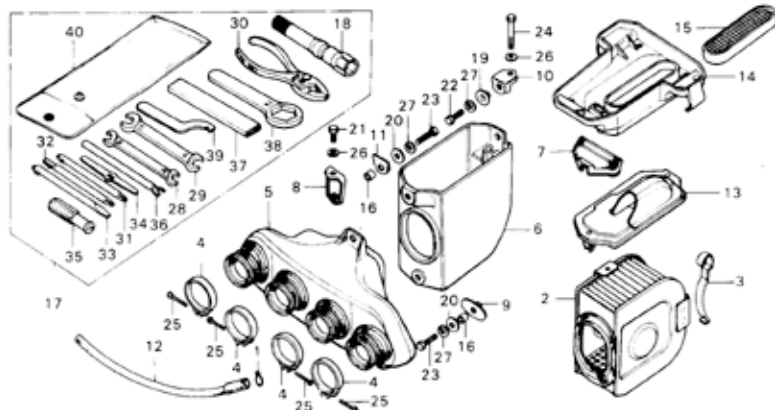




Block No.

F-16

Air Cleaner - Tool



0323-94

Service Item	F.R.T.	Ref. No.	Part No.	Description	Reqd. No. CB500K2	Serial No.	Area Code
AIR CLEANER CASE	1.2	1	15772-292-010	CLIP, BREATHER TUBE	1		
AIR CLEANER CHAMBER	1.1	2	17210-323-030	ELEMENT, AIR CLEANER	1		
AIR CLEANER ELEMENT and its related parts	0.1	3	17216-323-020	SPRING, CLEANER ELEMENT	1		
		4	17255-323-000	BAND, AIR CLEANER CONNECTING TUBE	4		
		5	17310-323-000B	CHAMBER COMP., AIR CLEANER	1		
		6	17313-323-040	CASE, AIR CLEANER ELEMENT SEAL	1		F
		7	17315-323-000	COVER, AIR CLEANER	1		
		8	17317-323-010	STAY, AIR CLEANER	1		
		9	17318-323-000	WASHER, ELEMENT SETTING	1		
		10	17319-323-000	STAY, AIR CLEANER REAR	1		
		11	17331-323-000	PLATE, AIR CLEANER	1		
		12	17335-323-000	TUBE ASSY., BREATHER	1		
		13	17340-323-610	DUCT ASSY., AIR CLEANER	1		ED+G
		14	83501-323-020	TRAY, TOOL	1		F
		15	83502-323-000	NET COMP., TOOL TRAY	1		
		16	84705-310-000	COLLAR, REAR FENDER	2		
		17	89010-323-010	TOOL SET	1		
		18	89216-323-000	WRENCH, SPERK PLUG	1		
		19	90512-300-000	WASHER, 6X20	1		
		20	90581-701-000	WASHER, 18MM	2		
		21	92000-06012	BOLT, HEX., 6X12	1		
		22	92000-06016	BOLT, HEX., 6X16	1		
		23	92000-06025	BOLT, HEX., 6X25	2		
		24	92000-06040	BOLT, HEX., 6X40	1		
		25	93500-04020-0A	SCREW, PAN, 4X20	4		

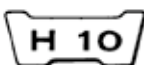
1976.05.20

H9

Courtesy of
www.hondafour.com



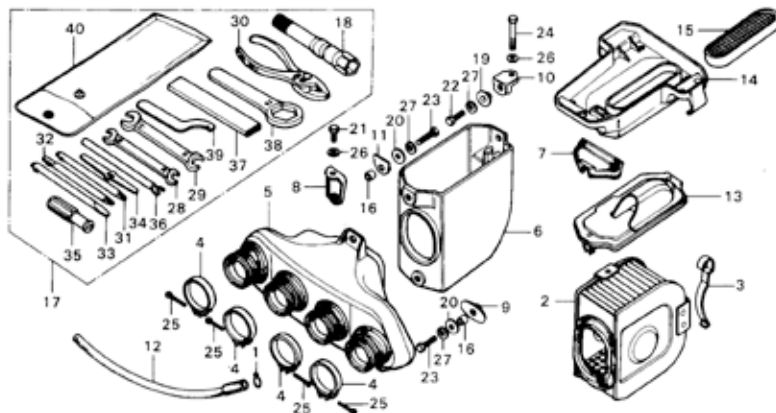
Honda4Fun
www.honda4fun.com



Block No.

F-16

Air Cleaner • Tool



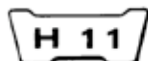
8323-94

Service Item	F.R.T.	Ref. No.	Part No.	Description	Reqd. No. CB500K2	Serial No.	Area Code
		26	94101-06000	WASHER, PLAIN, 6MM	2		
		27	94111-06000	WASHER, SPRING, 6MM	3		
		28	99001-10120	SPANNER, 10X12	1		
		29	99001-14170	SPANNER, 14X17	1		
		30	99002-13500	PLIERS, 135	1		
		31	99003-10000	DRIVER, PLUS, #2	1		
		32	99003-20000	DRIVER, PLUS, #3	1		
		33	99003-30000	DRIVER, MINUS, #2	1		
		34	99003-40000	LEVER	1		
		35	99003-50000	GRIP	1		
		36	99005-02000	BAR 8, HANDLE	1		
		37	99006-12000	HANDLE, EYE WRENCH, 120MM	1		
		38	99006-26000	WRENCH, EYE, 26MM	1		
		39	99007-45000	SPANNER, PIN, 45MM	1		
		40	99008-02000	BAG, TOOL, 200MM	1		

1976.05.20

H10

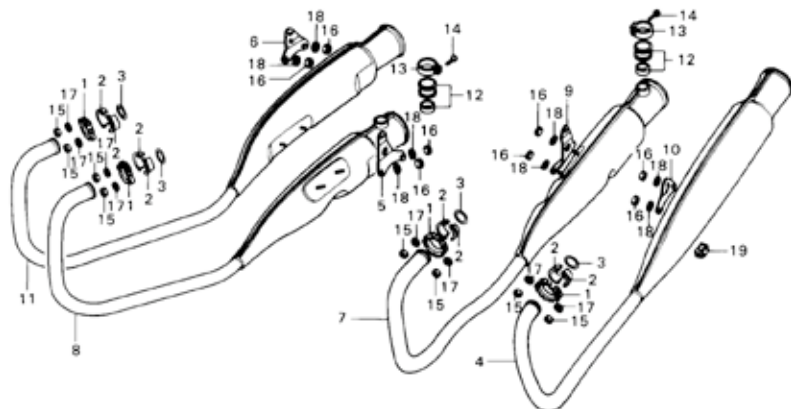




Block No.

F-17

Exhaust Muffler



0374-44

Service Item	F.R.T.	Ref. No.	Part No.	Description	Reqd. No. CB500K2	Serial No.	Area Code
MUFFLER COMP. 1 & 2	0.3	1	18231-333-010	JOINT* EXHAUST PIPE	4		
MUFFLER COMP. 3 & 4		2	18233-107-000	COLLAR EXHAUST PIPE JOINT	8		
EXHAUST PIPE JOINT COLLAR	0.1	3	18291-216-000	GASKET* EXHAUST PIPE	4		
		4	18300-374-700	MUFFLER COMP. 1* EXHAUST	1		
		5	18340-323-040	BRACKET B* RIGHT MUFFLER	1		
		6	18345-374-670	BRACKET A* RIGHT MUFFLER	1		
		7	18350-374-700	MUFFLER COMP. 2* EXHAUST	1		
		8	18400-374-700	MUFFLER COMP. 3* EXHAUST	1		
		9	18430-323-040	BRACKET B* LEFT MUFFLER	1		
		10	18435-374-670	BRACKET A* LEFT MUFFLER	1		
		11	18450-374-700	MUFFLER COMP. 4* EXHAUST	1		
		12	18473-323-000	TUBE* MUFFLER CONNECTING	2		
		13	18476-323-000	BAND* MUFFLER CONNECTING	2		
		14	93500-05016-06	SCREW PAN* S&I6	2		
		15	94001-06000	NUT* HEX.* 6MM	8		
		16	94001-08000-05	NUT* HEX.* 8MM	8		
		17	94111-06000	WASHER* SPRING* 6MM	8		
		18	94111-08000	WASHER* SPRING* 8MM	8		
		19	95011-61000	RUBBER A* STAND STOPPED	1		

1976.05.20

H11

Courtesy of
www.hondafour.com



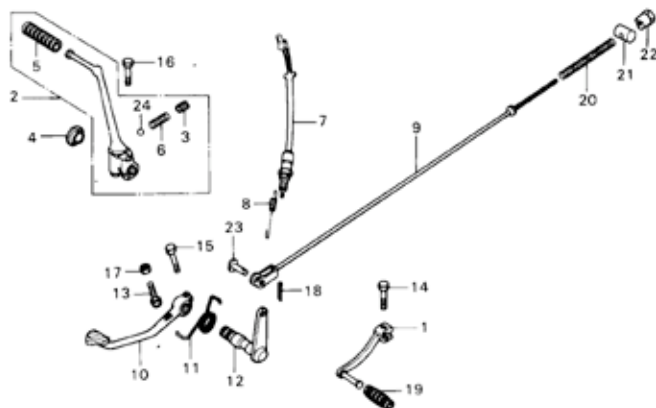
Honda4Fun
www.honda4fun.com

H 12

Block No.

F-18

Kick Arm - Pedal



1074-45

Service Item	F.R.T.	Ref. No.	Part No.	Description	Reqd. No. CB500K2	Serial No.	Area Code
REAR BRAKE PIVOT SHAFT	1.0	1	24700-323-010	PEDAL, GEAR CHANGE	1		
REAR BRAKE PEDAL/SPRING	0.2	2	28300-374-000	ARM ASSY., KICK STARTER	1		
•REAR BRAKE ROD		3	28303-310-010	BOLT, KICK ARM	1		
•KICK STATER KNUCKLE PIN and its related parts		4	28305-310-000	COMP, KICK ARM	1		
		5	28311-329-000	RUBBER, KICK STARTER	1		
GEAR CHANGE PEDAL/RUBBER	0.1	6	28333-310-000	SPRING, KICK STARTER STOPPER	1		
•KICK STATER ARM/RUBBER		7	35350-292-003	SWITCH ASSY., STOP	1		
•STOP SWITCH/SWITCH SPRING		8	35357-011-000	SPRING, STOP SWITCH	1		
		9	43451-323-010	ROD, REAR BRAKE	1		
		10	46500-374-000	PEDAL, BRAKE	1		
		11	46514-323-020	SPRING, BRAKE PEDAL	1		
		12	46515-323-010	SHAFT COMP., REAR BRAKE PIVOT	1		
		13	90104-323-000	BOLT, BRAKE PEDAL ADJUST	1		
		14	02000-06020	BOLT, HEX., 6X20	1		
		15	92000-08028-0A	BOLT, HEX., 8X28	1		
		16	93200-08032-0A	BOLT, HEX., 8X32	1		
		17	94001-06000	NUT, HEX., 6MM	1		
		18	94201-16150	PIN, SPLIT, 1.6X15	1		
		19	95011-40000	RUBBER, GEAR CHANGE PFDAL	1		
		20	95014-73300	SPRING C, BRAKE ROD	1		
		21	95015-32001	JOINT B, BRAKE ARM	1		
		22	95015-42000	NUT B, ADJUST	1		
		23	95015-52000	PIN B, JOINT	1		
		24	96211-10000	BALL, STEEL, #10	1		

1974.05.20

H12

60 Courtesy of



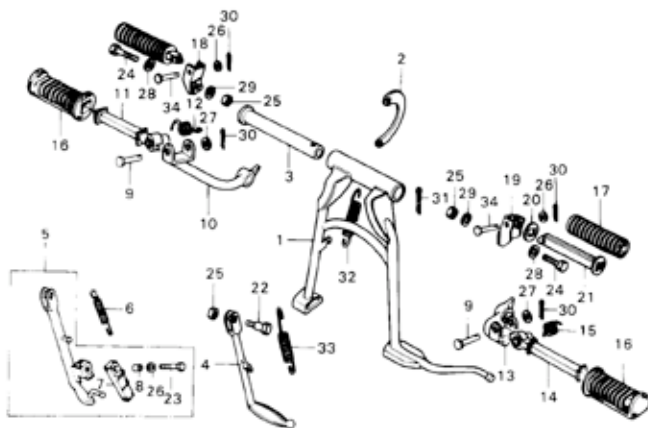
Honda4Fun
www.honda4fun.com

H 13

Block No.

F-19

Stand • Step



8323-95

Service Item	F.R.T.	Ref. No.	Part No.	Description	Reqd. No. CB500K2	Serial No.	Area Code
MAIN STAND/PIVOT PIPE	0.5	1	50500-323-000B	STAND COMP., MAIN	1		
SIDE STAND BAR	0.2	2	50523-300-010	PLATE, MAIN STAND SPRING	1		
MAIN STAND SPRING/SPRING PLATE	0.1	3	50526-300-000	PIPE, MAIN STAND PIVOT	1		
•SIDE STAND SPRING		4	50530-323-000B	BAR, SIDE STAND	1		E0+F
•STAND RUBBER		5	50540-374-670	BAR ASSY., SIDE STAND	1		G
•STEP ARM and its related parts		6	50542-341-610	SUB SPRING, SIDE STAND	1		G
•PILLION STEP and its related parts		7	50548-356-700	RUBBER, STAND	1		G
		8	50549-356-700	COLLAR, STAND RUBBER SET	1		G
		9	50603-033-000	PIN, STEP BAR JOINT	2		
		10	50615-323-670B	BAR COMP., RIGHT STEP	1		
		11	50616-323-670B	ARM COMP., RIGHT STEP	1		
		12	50617-283-000	SPRING, RIGHT STEP RETURN	1		
		13	50641-323-670B	BAR COMP., LEFT STEP	1		
		14	50642-323-670B	ARM COMP., LEFT STEP	1		
		15	50644-283-000	SPRING, LEFT STEP RETURN	1		
		16	50661-310-000	RUBBER, STEP	2		
		17	50710-377-000	RUBBER, PILLION STEP	2		
		18	50711-374-670	BRACKET, RIGHT PILLION STEP	1		
		19	50712-374-670	BRACKET, LEFT PILLION STEP	1		
		20	50712-377-000	WASHER, PILLION STEP	2		
		21	50715-377-000	BAR, PILLION STEP	2		
		22	90108-283-000	SCREW, SIDE STAND PIVOT	1		
		23	92000-06028	BOLT, HEX., 6X28	1		G
		24	92000-10040-0A	BOLT, HEX., 10X40	2		
		25	94001-10000-05	NUT, HEX., 10MM	3		

1976.05.20

H13

Courtesy of
www.hondafour.com



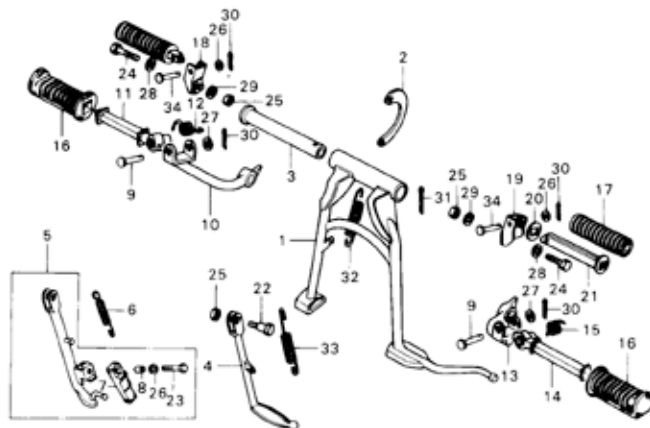
Honda4Fun
www.honda4fun.com

H 14

Block No.

F-19

Stand - Step



0323-05

Service Item	F.R.T.	Ref. No.	Part No.	Description	Reqd. No. CB500K2	Serial No.	Area Code
		26	94101-06000	WASHER, PLAIN, 6MM	2		E+F
		27	94101-08000	WASHER, PLAIN, 8MM	3		G
		28	94101-10000	WASHER, PLAIN, 10MM	2		
		29	94111-10000	WASHER, SPRING, 10MM	2		
		30	94201-16150	PIN, SPLIT, 1.6X15	4		
		31	94201-25250	PIN, SPLIT, 2.5X25	1		
		32	95014-71700	SPRING C, MAIN STAND	1		
		33	95014-72401	SPRING D, SIDE STAND	1		
		34	95015-83000	PIN C, PILLION	2		

1976.05.20

H14

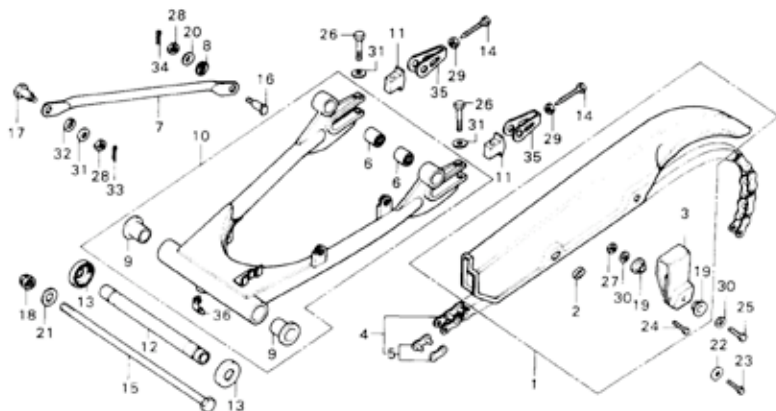


H 15

Block No.

F-20

Rear Fork - Chain

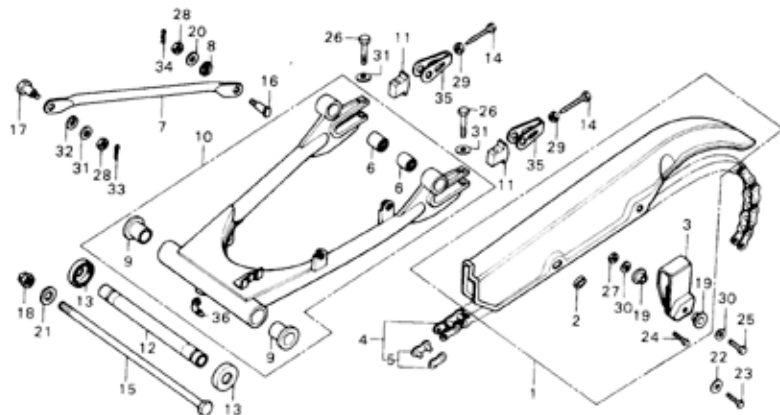


8323-96

Service Item	F.R.T.	Ref. No.	Part No.	Description	Reqd. No. CB500K2	Serial No.	Area Code
REAR FORK PIVOT BUSH	1.0	1	40510-323-000B	CASE, DRIVE CHAIN	1		
*REAR CUSHION UNDER RUBBER BUSH		2	40511-300-000	COLLAR, CHAIN CASE	1		
REAR FORK	0.8	3	40512-300-000	PLATE, DRIVE CHAIN CASE	1		
REAR FORK CENTER COLLAR	0.6	4	40530-323-315	CHAIN, DRIVE	1		
DRIVE CHAIN and its related parts	0.3	5	40531-341-305	JOINT, DRIVE CHAIN (STAKING TYPE)	1		
REAR BRAKE STOPPER ARM	0.2	6	40548-268-000	BUSH, REAR CUSHION UNIFR RUBBER	2		
DRIVE CHAIN CASE	0.1	7	43431-340-000	ARM, REAR BRAKE STOPPER	1		
		8	43434-286-000	RUBBER, STOPPER ARM CUSHION	1		
		9	52108-457-300	BUSH, REAR FORK PIVOT	2		
		10	52110-374-700ZA	FORK ASSY., REAR *NH-1*	1		
		11	52136-300-000	STOPPER, CHAIN ADJUSTR	2		
		12	52141-390-000	COLLER, REAR FORK CENTER	1		
		13	52144-362-000	CAP, REAR FORK DUST SEAL	2		
		14	90119-300-000	BOLT, CHAIN ADJUSTING	2		
		15	90121-390-000	BOLT, REAR FORK PIVOT	1		
		16	90127-323-000	BOLT, REAR BRAKE STOPPER ARM	1		
		17	90133-286-000	BOLT, REAR BRAKE STOPPER ARM	1		
		18	90354-268-000	NUT, SELF LOCK, 14MM	1		
		19	90512-300-000	WASHER, 6X20	2		
		20	90524-030-000	WASHER, HANDLE HOLDER SETTING	1		
		21	90526-268-000	WASHER, REAR FORK PIVOT BOLT	1		
		22	90581-701-000	WASHER, 18MM	1		
		23	92000-0601Z	BOLT, HEX., 6X12	1		
			1976.05.20		#15		

H 16

Block No.

F-20**Rear Fork - Chain**

8323-06

Service Item	F.R.T.	Ref. No.	Part No.	Description	Reqd. No. CB500K2	Serial No.	Area Code
		24	92000-06014	BOLT; HEX.; 6X14	1		
		25	92000-06016	BOLT; HEX.; 6X16	1		
		26	92000-08040-0A	BOLT; HEX.; 8X40	2		
		27	94001-06000	NUT; HEX.; 6MM	1		
		28	94001-08000-0S	NUT; HEX.; 8MM	2		
		29	94002-08000-0S	NUT; HEX.; 8MM	2		
		30	94101-06000	WASHER; PLAIN; 6MM	2		
		31	94101-08000	WASHER; PLAIN; 8MM	3		
		32	94111-10000	WASHER; SPRING; 10MM	1		
		33	94201-20180	PIN; SPLIT; 2.0X18	1		
		34	94251-08000	PIN; LOCK; 8MM	1		
		35	95014-19000	ADJUSTER; CHAIN	2		
		36	96201-80000	NIPPLE; GREASE; 8-16S	1		

1976.05.20

H16

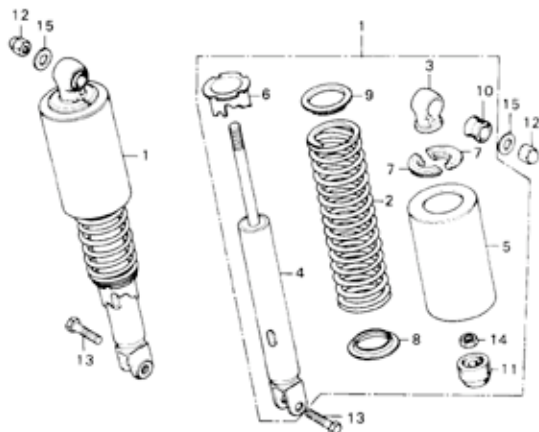


I 1

Block No.

F-21

Rear Cushion



8090-36

Service Item	F.R.T.	Ref. No.	Part No.	Description	Reqd. No. CB500K2	Serial No.	Area Code
REAR CUSHION ASSY.	0.1	1	52400-390-681X	CUSHION ASSY., REAR	2		
REAR CUSHION SPRING and its related parts	0.3	2	52401-323-000	SPRING, REAR CUSHION	2		
		3	52403-312-000	JOINT, UPPER	2		
		4	52410-375-611	DAMPER ASSY., REAR	2		
		5	52421-300-000X	CASE, REAR CUSHION UPPER	2		
		6	52422-390-003	ADJUSTER, SPRING	2		
		7	52424-331-003	STOPPER, SPRING SEAT	4		
		8	52458-329-000	SEAT, REAR CUSHION SPRING	2		UNDER
		9	52459-312-003	SEAT, REAR CUSHION SPRING	2		
		10	52484-292-000	RUBBER, JOINT	2		
		11	52517-358-771	RUBBER, STOPPER	2		
		12	90309-315-000	NUT, REAR CUSHION UPPER	2		
		13	93000-10032-0A	BOLT, HEX., 10X32	2		
		14	94002-10000-05	NUT, HEX., 10MM	2		
		15	94101-10200	WASHER, PLAIN, 10MM	2		

1976.05.20

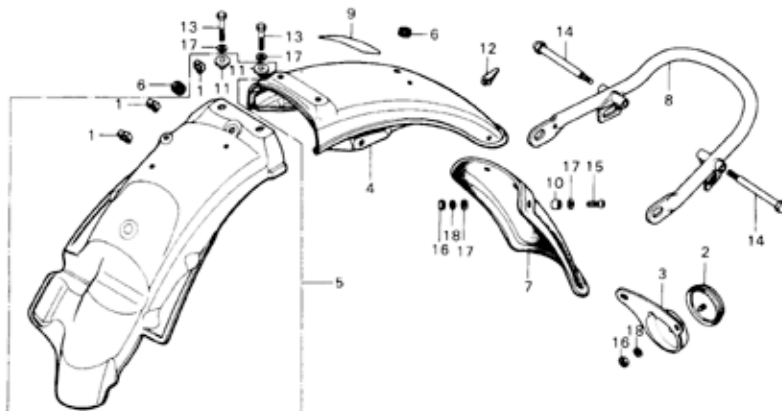
11

I 2

Block No.

F-22

Rear Fender



023-97

Service Item	F.R.T.	Ref. No.	Part No.	Description	Reqd. No. CB500K2	Serial No.	Area Code
REAR FENDER B.	0.9	1	32985-300-000	GROMMET, WIRE CORD	3		
REAR FENDER A.	0.4	2	33741-333-610	REFLECTOR, REFLEX	1		G
•REAR BUMPER		3	33745-375-610	STAY, REFLEX REFLECTOR	1		G
REAR BUMPER (G. TYPE)	0.2	4	80100-323-010X	FENDER & COMP., REAR	1		F
REAR FENDER A. (G. TYPE)	0.5		80100-323-631X	FENDER & COMP., REAR	1		E ⁹
REAR FENDER MUDGUARD	0.1		80100-390-610X	FENDER & REAR	1		G
and its related parts (G. TYPE)		5	80101-390-000	FENDER ASSY., B REAR	1		
		6	80102-323-000	GROMMET, WIRE CORD	2		G
		7	80121-323-630	MUDGUARD, REAR FENDER	1		E ⁹ +F
		8	84101-323-671	BUMPER, REAR	1		E ⁹ +G
		9	87507-323-771	MARK, TIRE CAUTION	1		
		10	90325-323-630	COLLAR, REAR MUDGUARD	4		E ⁹ +G
		11	90513-323-000	WASHER, 6X9	2		
		12	90899-283-000	PLUG, CORN	1		F
		13	92000-06028	BOLT, HEX., 6X28	2		
		14	92600-08080-08	BOLT, CAP, 8X80	2		
		15	93500-06020-49	SCREW, PAN, 6X20	4		E ⁹ +G
		16	94001-06000	NUT, HEX., 6MM	4		E ⁹
					5		G
		17	94101-06000	WASHER, PLAIN, 6MM	2		F
					10		E ⁹ +G
		18	94111-06000	WASHER, SPRING, 6MM	4		E ⁹
					5		G

1976.05.20

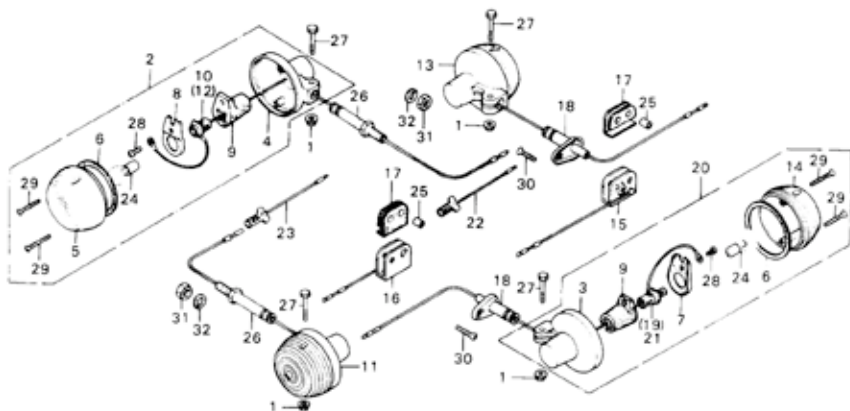
12

I 3

Block No.

F-23

Winker (ED, F)



0341-26

Service Item	F.R.T.	Ref. No.	Part No.	Description	Reqd. No. CB500K2	Serial No.	Area Code
FRONT WINKER and its related parts	0.2	1	18362-720-000	NUT, FLANGE 6MM	4		ED+F
•Add 0.1		2	33400-317-730	WINKER ASSY., RIGHT FRONT	1		ED+F
REAR WINKER and its related parts	0.2	3	33401-268-671	BASE, WINKER	2		ED+F
•Add 0.1		4	33401-292-003	BASE, WINKER	2		ED+F
WINKER LENS/BULB	0.1	5	33402-268-671	LENS, FRONT WINKER	2		ED+F
		6	33406-268-671	PACKING, WINKER LENS	4		ED+F
		7	33407-268-671	HOLDER, FRONT WINKER SOCKET	2		ED+F
		8	33407-284-003	HOLDER, WINKER SOCKET	2		ED+F
		9	33408-341-701	RUBBER, WINKER CUSHION	4		ED+F
		10	33410-361-003	SOCKET, RIGHT FRONT WINKER	1		ED+F
		11	33450-317-730	WINKER ASSY., LEFT FRONT	1		ED+F
		12	33460-361-003	SOCKET COMP., LEFT WINKER	1		ED+F
		13	33600-323-631	WINKER ASSY., RIGHT REAR	1		ED+F
		14	33602-323-631	LENS, REAR WINKER	2		ED+F
		15	33604-323-670	STOPPER, RIGHT REAR WINKER	1		ED+F
		16	33605-323-670	STOPPER, LEFT REAR WINKER	1		ED+F
		17	33606-074-010	RUBBER, REAR WINKER MOUNT	2		ED+F
		18	33607-323-670	STAY, RIGHT REAR WINKER	2		ED+F
		19	33610-300-000	SOCKET COMP., RIGHT REAR WINKER	1		ED+F
		20	33650-323-631	WINKER ASSY., LEFT REAR	1		ED+F
		21	33660-300-000	SOCKET COMP., LEFT REAR WINKER	1		ED+F
		22	33714-300-610	SUB CORD, RIGHT WINKER	1		ED+F
		23	33715-300-610	SUB CORD, LEFT REAR WINKER	1		ED+F
		24	34905-271-611	BULB, TURN SIGNAL (12V 18W)	4		ED+F
		25	80108-061-010	COLLAR, REAR FENDER	2		ED+F

1976.05.20

13

Courtesy of
www.honda4fun.com



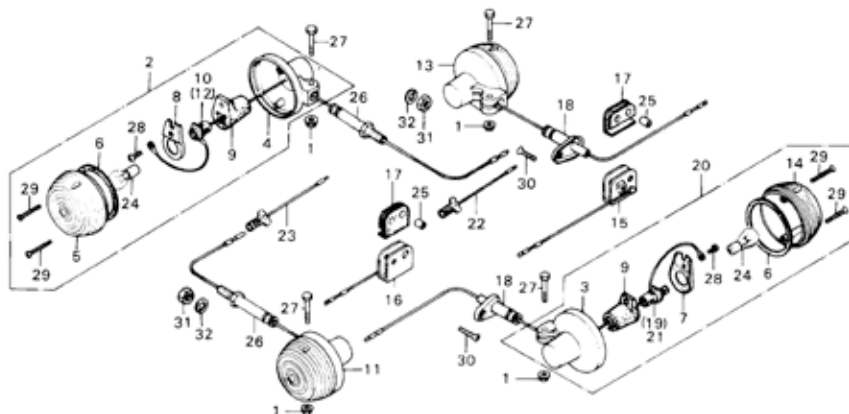
Honda4Fun
www.honda4fun.com

I 4

Block No.

F-23

Winker (ED, F)



6341-26

Service Item	F.R.T.	Ref. No.	Part No.	Description	Reqd. No. CB500K2	Serial No.	Area Code
		26	90154-341-670	BOLT, FRONT WINKER SETTING	2		ED+F
		27	93000-06028-02	BOLT, HEX., 6X28	4		ED+F
		28	93500-05008-0A	SCREW, PAN, 5X8	4		ED+F
		29	93700-03025-0B	SCREW, OVAL, 3X25	8		ED+F
		30	93700-06025-02	SCREW, OVAL, 6X25	2		F0+F
		31	94002-12000-05	NUT, HEX., 12MM	2		ED+F
		32	94111-12000	WASHER, SPRING, 12MM	2		F0+F

1976.05.20

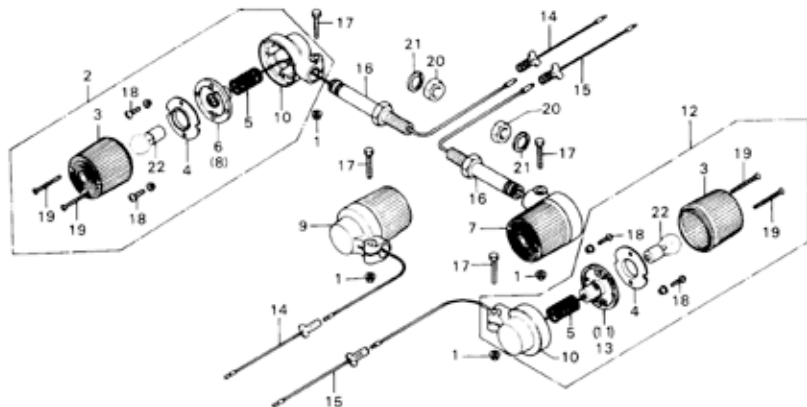
16

I 5

Block No.

F-23-1

Winker (G)



8341-27

Service Item	F.R.T.	Ref. No.	Part No.	Description	Reqd. No. CB500K2	Serial No.	Area Code
FRONT WINKER and its related parts	0.2	1	18362-720-000	NUT+ FLANGE 6MM	4		G
*Add 0.1		2	33400-292-612	WINKER ASSY.+ RIGHT FRONT	1		G
REAR WINKER and its related parts	0.2	3	33402-268-610	LENS+ FRONT WINKER	4		G
*Add 0.1		4	33403-285-010	RING+ WINKER	4		G
WINKER LENS/BULB	0.1	5	33404-285-000	SPRING+ COIL	4		G
		6	33410-292-610	SOCKET+ RIGHT FRONT WINKER	1		G
		7	33450-292-612	WINKER ASSY.+ LEFT FRONT	1		G
		8	33460-292-610	SOCKET+ LEFT FRONT WINKER	1		G
		9	33600-341-610	WINKER ASSY.+ RIGHT REAR	1		G
		10	33605-292-610	BASE+ WINKER	4		G
		11	33610-300-610	SOCKET+ RIGHT REAR WINKER	1		G
		12	33650-341-610	WINKER ASSY.+ LEFT REAR	1		G
		13	33660-300-610	SOCKET+ LEFT REAR WINKER	1		G
		14	33714-300-610	SUB CORD+ RIGHT WINKER	2		G
		15	33715-300-610	SUB CORD+ LEFT REAR WINKER	2		G
		16	90154-341-670	BOLT+ FRONT WINKER SETTING	2		G
		17	93000-06028-02	BOLT+ HEX.+ 6X28	4		G
		18	93500-03010-0A	SCREW+ PAN+ 3X10	8		G
		19	93700-03045-0B	SCREW+ OVAL+ 3X45	8		G
		20	94602-12000-05	NUT+ HEX.+ 12MM	2		G
		21	94111-12000	WASHER+ SPRING+ 12MM	2		G
		22		BULB, WINKER (LOCAL PROCUREMENT)	4		G

1976.05.20

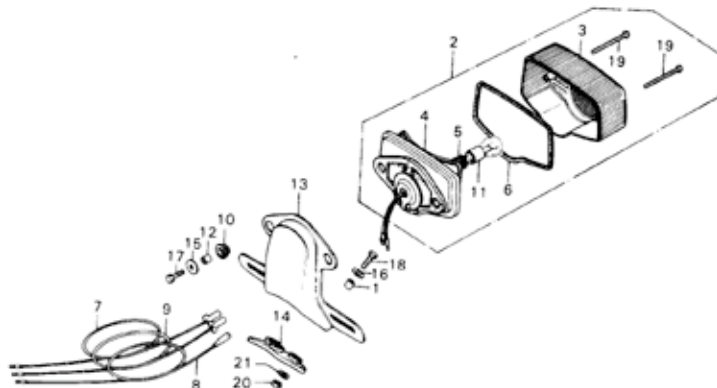
15

I 6

Block No.

F-24

Tail Light (ED, F)



0323-100

Service Item	F.R.T.	Ref. No.	Part No.	Description	Reqd. No. CB500K2	Senal No.	Area Code
NUMBER PLATE BRACKET	0.3	1	33603-053-650	COLLAR; REAR WINKER STAY	3		ED+F
TAIL LIGHT UNIT/BASE and its related parts	0.2	2	33701-323-603	LIGHT UNIT; TAIL (12V 21/5W)	1		ED+F
		3	33702-323-603	LENS; TAIL LIGHT	1		ED+F
TAIL LIGHT LENS/BULB	0.1	4	33703-077-671	BASE; TAIL LIGHT	1		ED+F
		5	33708-077-671	CORD COMP.; TAIL LIGHT	1		ED+F
		6	33709-077-671	PACKING; TAIL LIGHT LENS	1		ED+F
		7	33711-300-000	CORD; TAIL LIGHT SUR	1		ED+F
		8	33712-300-003	CORD; TAIL LIGHT EARTH	1		ED+F
		9	33713-300-000	CORD; STOP LIGHT SUR	1		ED+F
		10	33719-077-671	PACKING B; TAIL LIGHT BASE	2		ED+F
		11	34906-594-602	BULB; TAIL & STOP LIGHT	1		ED+F
		12	35851-292-000	COLLAR; STARTING MAGNETIC SWITCH SET	2		ED+F
		13	84701-300-020XM	BRACKET; NUMBER PLATE	1		ED+F
		14	84702-300-010	SEAT; NUMBER PLATE BRACKET	1		ED+F
		15	90581-310-000	WASHER; PLAIN; 20MM	2		ED+F
		16	90581-701-000	WASHER; 18MM	3		ED+F
		17	92000-05020-08	BOLT; HEX.; 5X20	2		ED+F
		18	92000-06020	BOLT; HEX.; 6X20	3		ED+F
		19	93500-04050-4J	SCREW; PAN; 4X50	2		ED+F
		20	94001-06000	NUT; HEX.; 6MM	3		ED+F

1976.05.20

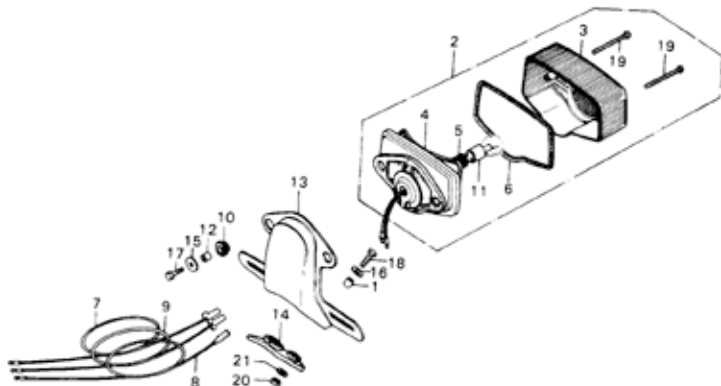
16

I 7

Block No.

F-24

Tail Light (ED, F)

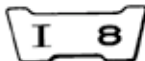


0323-100

Service Item	F.R.T.	Ref. No.	Part No.	Description	Reqd. No.	Serial No.	Area Code
		21	94111-06000	WASHER+ SPRING+ 6MM	3		E9+F

1976-05-20

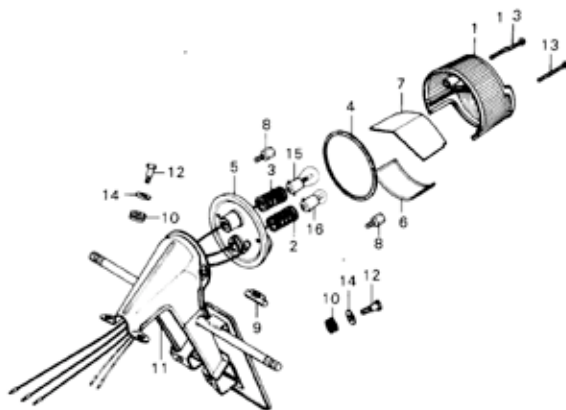
17



Block No.

F-24-1

Tail Light (G)



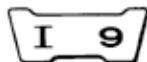
8323-101

Service Item	F.R.T.	Ref. No.	Part No.	Description	Reqd. No. CB500K2	Serial No.	Area Code
NUMBER PLATE BRACKET	0.5	1	33701-051-000	LENS; TAIL & STOP LAMP	1		G
TAIL LIGHT ASSY./SOCKET	0.2	2	33707-300-610	CORD COMP.; TAIL LIGHT	1		G
		3	33708-300-610	CORD; STOP LIGHT	1		G
and those related parts		4	33709-051-000	PACKING; TAIL LIGHT LENS	1		G
TAIL / STOP LAMP LENS/BULB	0.1	5	33710-300-610	SOCKET COMP.; TAIL LIGHT	1		G
		6	33715-051-000	LENS; LICENSE	1		G
		7	33716-051-000	PLATE; INTERCEPTION	1		G
		8	33717-292-610	BOLT; TAIL LIGHT SETTING	2		G
		9	33722-323-610	GROMMET; REAR TURN SIGNAL CORD	1		G
		10	80101-283-000	RUBBER; REAR FENDER CUSHION	4		G
		11	84701-292-610B	BRACKET; NUMBER PLATE	1		G
		12	90162-292-000	BOLT; FRONT FENDER SETTING	4		G
		13	93500-03045-08	SCREW; PAN; 3X45	2		G
		14	94101-08200	WASHER; PLAIN.; 8MM	4		G
		15		BULB, STOP LIGHT (LOCAL PROCUREMENT)	1		G
		16		BULB, TAIL LIGHT (LOCAL PROCUREMENT)	1		G

1976.05.29

18

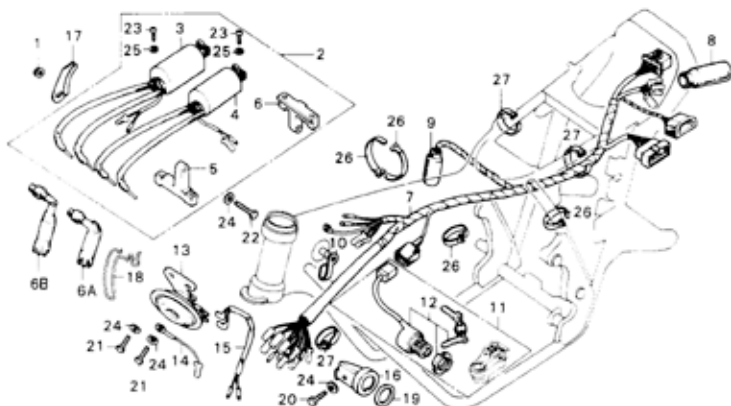




Block No.

F-25

**Wire Harness ·
Horn · Ignition Coil**



8323-98

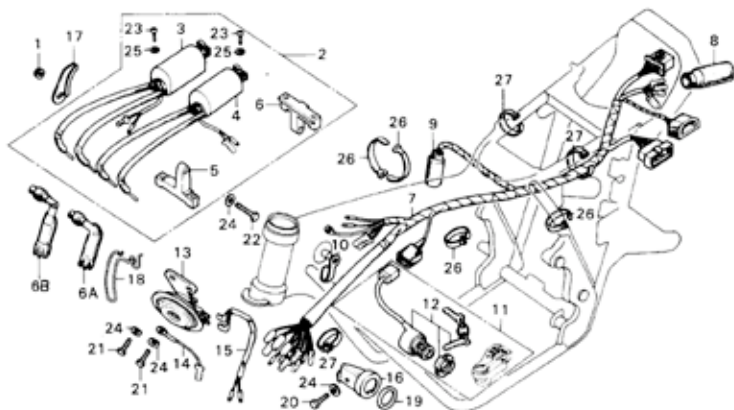
Service Item	F.R.T.	Ref. No.	Part No.	Description	Reqd. No. GB500K2	Serial No.	Area Code
WIRE HARNESS	2.2	1	18362-720-000	NUT, FLANGE 6MM	2		
IGNITION COIL ASSY. and its related parts	0.5	2	30500-323-023	COIL ASSY., IGNITION	1		
COMBINATION SWITCH SET	0.4	3	30501-323-003	COIL, RIGHT IGNITION	1		
COMBINATION SWITCH ASSY./MAIN SWITCH	0.3	4	30502-323-003	COIL, LEFT IGNITION	1		
BRACKET		5	30511-300-000	BRACKET, IGNITION COIL	1		
HORN ASSY.	0.2	6	30512-323-000	BRACKET B, IGNITION COIL	1		
TACHOMETER CABLE CLAMP	0.1	6A	30700-341-620	CAP ASSY. A, NOISE SUPPRESSOR	2		
•NOISE SUPPRESSER CAP ASSY.		8B	30701-323-622	CAP ASSY. C, NOISE SUPPRESSOR	2		
		7	32100-374-700	HARNESS, WIRE	1		
		8	32108-046-750	COVER, WIRE HARNESS CONNECTOR	1		
		9	32108-323-300	COVER, WIRE HARNESS CONNECTOR	1		
		10	32171-323-000	CLIP, WIRE HARNESS	1		
		11	35020-323-612	SWITCH KIT, MAIN	1		
		12	35100-374-000	SWITCH ASSY., COMBINATION	1		
		13	38100-392-620	HORN ASSY.	1		
		14	38105-323-000	CORD, HORN EARTH	1		
		15	38120-392-620	SUB CORD, HORN	1		
		16	50375-323-020	BRACKET, MAIN SWITCH	1		
		17	50400-323-000	PROTECTOR, IGNITION COIL WIRE	1		
		18	50462-323-010	CLAMP, TACHOMETER CABLE	1		
		19	90501-374-003	WASHER, 25X33	1		
		20	92000-06012	BOLT, HEX., 6X12	1		
		21	92000-06016	BOLT, HEX., 6X15	2		
		22	92000-06025	BOLT, HEX., 6X23	2		
		23	93500-05020-0A	SCREW, PAN, 5X20	4		
		24	94101-06000	WASHER, PLAIN, 6MM	5		
		25	94111-05000	WASHER, SPRING, 5MM	4		
			1976.05.20		19		

I 10

Block No.

F-25

**Wire Harness •
Horn • Ignition Coil**



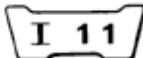
0323-98

Service Item	F.R.T.	Ref. No.	Part No.	Description	Reqd. No. CB500K2	Serial No.	Area Code
		26	95014-61100	BAND A1 • WIRE	7		
		27	95014-61200	BAND B2 • WIRE	3		

1976.05.20

T10

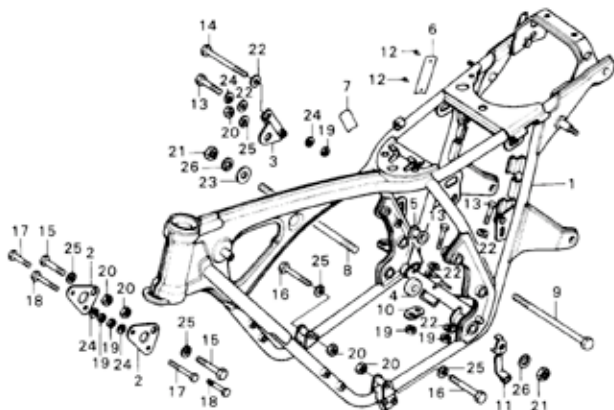




Block No.

F-26

Frame Body



8323-99

Service Item	F.R.T.	Ref. No.	Part No.	Description	Reqd. No. CB500K2	Serial No.	Area Code
FRAME BODY	88	1	50100-323-6128	BODY COMP., FRAME	1		
		2	50351-323-010	BRACKET, FRONT ENGINE HANGER	2		
		3	50356-323-010	BRACKET, REAR ENGINE HANGER	1		
		4	50357-323-010	COLLAR, RIGHT ENGINE UPPER SIDE	1		
		5	50359-323-010	COLLAR, LEFT ENGINE UPPER SIDE	1		
		6	87501-323-631	PLATE, REGISTERED NUMBER	1		
		7	87506-323-670	MARK, BATTERY CAUTION	1		
		8	90107-323-000	BOLT, REAR ENGINE HANGER LOWER	1		
		9	90108-323-000	BOLT, REAR ENGINE UPPER	1		
		10	90514-323-000	WASHER, BATTERY BREATHER GUIDE	1		
		11	90514-323-610	GUIDE, BREATHER	1		
		12	00841-001-000	SCREW, RIVET, 1.5X5	2		
		13	92000-08040-0A	BOLT, HEX., 8X40	3		
		14	92000-08100-0A	BOLT, HEX., 8X100	1		
		15	92200-10050-0A	BOLT, HEX., 10X50	2		
		16	92200-10080-0A	BOLT, HEX., 10X80	2		
		17	93000-08050-0A	BOLT, HEX., 8X50	2		
		18	93000-08055-0A	BOLT, HEX., 8X55	2		
		19	94001-08000-0S	NUT, HEX., 8MM	7		
		20	94030-10000	NUT, HEX., 10MM	5		
		21	94030-12000	NUT, HEX., 12MM	2		
		22	94101-08000	WASHER, PLAIN, 8MM	5		
		23	94101-12000	WASHER, PLAIN, 12MM	1		
		24	94111-08000	WASHER, SPRING, 8MM	6		

1976.05.20

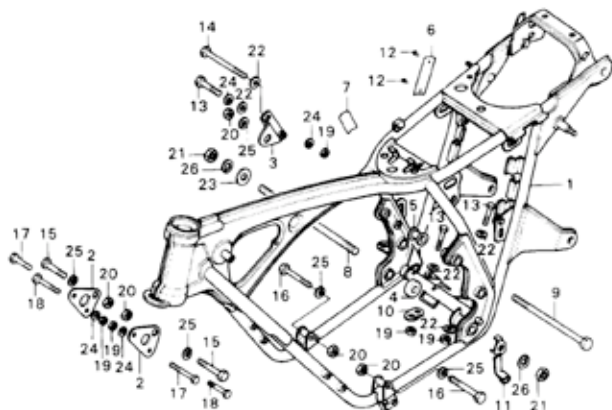
111

I 12

Block No.

F-26

Frame Body



0323-99

Service Item	F.R.T.	Ref. No.	Part No.	Description	Reqd. No. CB500K2	Serial No.	Area Code
		25	94111-10000	WASHER, SPRING, 10MM	5		
		26	94111-12000	WASHER, SPRING, 12MM	2		

1976-05-20

112

PART NO. INDEX

Part No.	Address No.	Part No.	Address No.	Part No.	Address No.	Part No.	Address No.	Part No.	Address No.	Part No.	Address No.
11000		13103-323-000	01	15415-300-000	C15	17510-323-310	H4	23000		28126-323-000	03
11000-323-000	C16	13104-323-000	01	15420-300-020	C15	17511-300-300	H4			28211-323-000	07
11202-323-000	C16	13105-323-000	01	15473-300-300	C15	17514-323-300	H4	23100-323-000	03	28215-216-000	07
11203-323-010	C16	13111-286-000	01	15474-300-310	C15	17515-300-300	H4	23102-323-000	03	28221-310-010	07
11207-323-000	C16	13204-323-000	01	15477-300-300	C15	17517-300-340	H4	23103-323-000	C11	28221-310-020	07
11210-323-000	C15	13205-323-000	01	15650-323-000	C10	17520-323-300	H4	23105-323-000	C11	28231-216-000	07
11331-323-010	C10	13213-323-003	01	15707-634-000	C2	17534-323-300	H4	23106-323-000	03	28251-323-000	07
11341-323-000	C13	13214-300-000	01	15763-323-000	C2	17540-323-000	H4	23111-323-010	03	28258-310-010	07
11351-363-000	C13	13215-323-003	01	15772-292-010	H9	17541-323-000	H4	23114-323-000	03	28261-323-000	H8
11394-323-010	C10	13216-323-003	01	16000		17542-323-000	H4	23121-323-010	03	28300-374-000	012
11398-323-000	C15	13217-323-003	01			17543-323-000	H4	23121-323-003	03	28303-310-010	H12
11631-323-000	C12	13218-323-003	01	16010-323-004	010	17544-323-000	H4	23210-323-000	05	28305-310-000	H12
11632-323-003	C12	13300-323-000	02	16011-329-004	010	17545-323-010	H4	23220-323-000	05	28311-329-000	H12
11633-323-000	C12	13315-323-000	02	16012-323-004	010	17548-323-000	H4	23220-323-010	05	28333-310-000	H12
11691-323-000	C12	13316-323-000	02	16013-329-004	010	17549-323-000	H4	23431-323-000	05		
		13317-323-000	02	16014-323-004	010	17561-286-000	H4	23441-286-020	05	30000	
		13318-323-000	02	16015-323-004	010	17561-286-000	H4	23451-286-000	05		
12000		13491-283-000	05	16016-323-004	010	17562-323-000	H4	23461-286-030	05	30200-323-005	C8
12021-323-300	C4	13492-283-000	05	16018-323-004	010	17563-323-000	H4	23471-286-010	05	30200-323-154	C8
12023-323-300	C4			16023-323-004	010	18000		23481-323-000	05	30201-300-015	C8
12100-323-000	C5	14000		16028-323-004	09			23491-374-000	05	30201-300-154	C8
12191-323-000	C5			16029-323-004	09	18231-333-010	H11	23801-300-010	05	30203-300-005	C8
12200-374-000	C4	14101-323-000	C6	16030-323-004	09	18233-107-000	H11	23811-292-000	05	30203-300-154	C8
12209-333-005	C6	14321-323-000	C7	16031-323-004	010	18291-216-000	H11	23931-323-004	05	30204-300-005	C8
12238-323-000	C5	14401-323-003	C7	16035-300-004	09	18300-374-700	H11			30204-300-154	C8
12741-323-000	C4	14431-324-000	C6	16036-390-004	09	18340-323-040	H11	24000		30205-003-005	C8
12242-323-000	C4	14451-323-010	C6	16100-323-014	09	18345-374-670	H11	24211-323-000	07	30205-300-154	C8
12251-323-005	C4	14451-323-020	C6	16100-323-611	09	18350-374-700	H11	24212-286-030	07	30215-300-005	C8
12251-323-010	C4	14456-390-000	C6	16111-323-004	010	18362-720-000	13	24213-323-000	07	30215-300-154	C8
12310-323-000	C2	14500-323-000	C7	16211-323-000	C4		15	24261-283-000	07	30220-323-005	C8
12310-323-010	C2	14501-323-000	C7	16290-323-000	09		19		07	30220-323-154	C8
12320-323-000	C2	14520-323-000	C7	16950-374-671	H4	14400-374-700	H11	24263-286-000	07	30233-300-000	C8
12329-323-000	C2	14611-323-000	C7	16951-374-671	H4	14430-323-040	H11	24301-286-050	07	30250-300-005	C8
12330-323-000	C2	14711-107-020	C6	16952-341-671	H4	14435-374-670	H11	24421-330-000	07	30370-323-000	C8
12335-323-000	C2	14721-323-005	C6			14450-374-700	H11	24630-323-020	07	30372-300-300	C8
12336-323-000	C2	14751-107-010	C6	17000		14473-323-000	H11	24433-323-010	07	30500-323-023	19
12361-300-000	C2	14761-107-010	C6			14476-323-000	H11	24435-323-020	07	30501-323-003	19
12391-323-000	C2	14771-107-020	C6	17210-323-030	H9			24437-323-000	07	30502-323-003	19
12431-323-000	C2	14775-107-000	C6	17216-323-020	H9	22000		24439-323-000	07	30511-300-000	19
12451-323-000	C2	14776-107-010	C6	17247-303-000	H6			24440-323-000	07	30512-323-000	19
		14781-107-020	C6			22100-323-000	C11	24446-323-000	07	30700-341-620	19
13000		15000		17255-323-000	H7	22120-323-010	C11	24447-323-000	07	30701-323-622	19
13011-323-013	01			17256-323-000	C4	22201-323-010	C11	24610-323-000	07		
13011-323-014	01	15100-323-003	C13	17310-323-008	H9	22301-323-000	C11	24611-216-000	07	31000	
13021-323-013	01	15140-300-010	C13	17313-323-040	H9	22350-286-000	C11	24651-286-000	07		
13021-323-014	01	15145-300-000	C13	17315-323-000	H9	22401-323-003	C11	24700-323-010	H12	31010-323-005	C12
13031-323-013	01	15150-300-000	C15	17317-323-010	H9	22501-323-000	C11			31023-323-025	C12
13031-323-014	01	15150-323-000	C15	17318-323-000	H9	22810-323-000	C13			31033-323-005	C12
13041-323-013	01	15155-323-000	C13	17319-323-000	H9	22815-283-000	C13	28000		31200-323-013	C13
13041-323-014	01	15331-300-000	C16	17331-323-000	H9	22838-323-000	C13	28101-323-000	03	31201-292-158	C13
13051-323-013	01	15331-323-003	C13	17335-323-000	H9	22841-323-000	C13	28106-323-000	03	31204-292-158	C13
13051-323-014	01	15411-300-010	C15	17340-323-610	H9	22844-323-000	C13	28111-363-000	03	31206-286-158	C13
13101-323-000	01	15412-300-024	C15	17500-374-0102A	H4	22850-323-000	05	28112-323-000	03	31208-373-000	C13
13102-323-000	01	15414-300-000	C15	17500-374-0102C	H4	22870-323-621	56	28120-323-000	03	31212-323-300	C13
				17500-374-0102D	H4			28125-323-000	03	31400-300-035	H7
										31403-323-000	H7
										31700-124-003	H7

PART NO. INDEX

PART NO. INDEX

Part No.	Address No.	Part No.	Address No.	Part No.	Address No.	Part No.	Address No.	Part No.	Address No.	Part No.	Address No.
31700-323-015	H7	33400-317-730	I3	33743-341-670	G12	38105-323-000	I9	44000		45513-341-671	G9
31706-341-900	H7	33401-268-671	I3	33745-375-610	I2	38120-392-620	I9			45517-300-003	G9
		33402-292-003	I3	33905-303-003	G3	38300-323-611	H7	44301-300-000	G16	44520-300-000	G9
32000		33402-268-610	I5			38306-323-000	H7	44311-300-000	G16	44521-300-010	G9
		33402-268-671	I3	34000		38400-341-674	G12	44601-300-040	G16	44522-300-010	G9
32100-374-700	I9	33403-285-010	I5					44506-283-000	G16	44526-341-000	G9
32105-374-700	H7	33404-285-000	I5	34902-259-000	G5	40000		44606-300-003	G16	44527-300-000	G9
32108-046-750	I9	33406-268-671	I3					44607-283-000	G16	44530-377-305	G9
32108-323-300	I9	33407-268-671	I3	34905-271-611	I3						
32110-341-701	H7	33407-284-003	I5	34906-594-602	G7						
32110-341-702	H7	33408-341-701	I3			40511-300-000	H15	44607-300-003	G16	46000	
32111-323-000	C10	33410-292-610	I5	35000		40512-300-000	H15	44608-283-000	G16		
		33410-361-003	I3			40513-310-000	G11	44608-283-000	G16	46500-374-000	H12
32117-341-701	H7	33410-292-612	I5	35020-323-612	I9	40514-310-000	G11	44609-283-000	G16	46514-323-020	H12
32117-341-702	H7	33450-317-730	I3	35100-374-000	I9	40530-323-315	H15	44620-300-020	G16	46515-323-010	H12
32118-341-701	H7	33460-292-610	I5	35150-341-600	G6	40531-341-305	H15				
32118-341-702	H7	33460-361-003	I3	35200-341-600	G6	40548-268-000	H15	44641-341-000	G16		
32171-323-000	I9	33600-323-631	I3	35345-319-000	G9	41000		44642-300-020	G16	50100-323-612B	I11
32401-323-000	H6	33600-341-610	I5	35350-292-003	H2			44643-300-000	G16	50223-323-010	H5
32411-253-000	C13	33602-323-631	I3	35350-300-016	G9	41201-323-010	H2	44701-300-013	G16	50301-268-305	G7
		33603-053-650	I6	35357-011-000	H12	41211-323-000	H2	44711-375-003	G16	50302-268-305	G7
32412-323-000	H6	33604-323-670	I3	35360-341-000	G6	41231-323-020	H2	44712-300-003	G16	50325-323-040	H6
32401-323-000	H6	33605-292-610	I5	35500-333-014	C13	41242-323-000	G13	44713-300-003	G16	50330-374-000	H7
32906-028-000	C2	33605-323-670	I3	35752-323-000	C13	41243-323-000	H2	44800-323-000	G16	50331-323-000	H6
32985-300-000	I2	33606-074-010	I3	35753-323-000	C13			44830-390-000	G5	50332-323-000	H6
		33607-323-670	I3	35850-371-670	H7	42000		44831-323-000	G5	50351-323-010	I11
33000		33610-300-003	I3	35851-292-000	H6					50356-323-010	I11
		33610-300-610	I5	35856-323-000	I7	42301-300-010	H1	45000		50357-323-010	I11
33100-390-611	G2	33650-323-631	I3			42311-323-040	H2			50359-323-010	I11
33100-390-671	G2	33650-341-610	I5	37000		42313-323-010	H2	45100-390-003	G14	50375-323-020	I9
33101-300-673	G2	33660-300-000	I3			42601-283-000	H2	45101-323-013	G14	50400-323-000	I9
33103-346-670	G2	33660-300-610	I5	37200-390-681	G5	42601-323-300	H2	45102-323-003	G14	50462-323-010	I9
33107-300-003	G2	33701-051-000	I8	37211-323-701	G5	42604-283-000	H2	45104-317-700	G14	50500-323-000B	H13
33114-390-611	G2	33701-323-603	I6	37235-323-700	G5	42610-323-000	H2	45105-390-003	G14	50523-300-010	H13
33117-001-003	G2	33702-323-603	I6	37236-323-700	G5	42620-323-030	H2	45105-390-006	G14	50526-300-000	H13
33119-371-003	G2	33703-077-671	I6	37237-323-700	G5	42625-293-000	H2	45106-390-003	G14	50530-323-000	H13
33120-390-611	G2	33707-300-610	I8	37238-323-700	G5	42701-283-003	H2	45106-390-006	G14	50540-374-670	H13
33121-375-671	G2	33708-077-671	I6	37243-323-700	G5	42711-377-003	H2	45107-323-020	G14	50542-341-610	H13
33122-623-621	G2	33708-300-610	I8	37244-307-670	G5	42712-287-003	H2	45108-300-003	G14	50546-356-700	H13
33122-623-721	G2	33709-051-000	I8	37246-323-700	G5	42713-286-003	H2	45115-390-003	G14	50549-356-700	H13
33125-087-621	G3	33709-077-671	I6	37250-390-771	G5			45116-323-020	G14	50603-033-000	H13
33128-292-670	G3	33710-300-610	I8	37250-390-772	G5	43000		45117-341-700	G14	50615-323-670B	H13
33130-300-671	G3	33711-300-000	I6	37260-390-000	G5	43100-374-000	H1	45119-300-020	G14	50616-323-670B	H13
33153-375-671	G3	33712-300-003	I6	37261-390-000	G5	43102-319-000	H1	45120-374-700	G16	50617-283-000	H13
33170-390-611	G3	33713-300-000	I6	37576-323-000	G7	43120-283-000	H1	45125-374-000	G9	50641-323-670B	H13
33400-292-612	I5	33714-300-610	I3	37577-341-000	G7	43120-283-000	H1	45126-323-621	G9	50642-323-670B	H13
				37579-341-010	G7	43141-374-000	H2	45127-323-000	G9	50644-283-000	H13
		33715-051-000	I8	37581-374-670	G7	43145-374-000	H1	45128-323-020	G14	50661-310-000	H13
		33715-300-610	I3			43151-346-000	H1	45134-250-000	H1	50710-377-000	H13
				38000		43111-374-000	H1	45140-323-670	G14	50711-374-670	H13
		33716-051-000	I8			43131-340-000	H15	45146-300-000	G9	50712-374-670	H13
		33717-292-610	I8	38100-392-620	I9	43144-286-000	H15	45224-579-013	G14	50712-377-000	H13
		33719-077-671	I6			43151-346-000	H1	45225-579-013	G14	50715-377-000	H13
		33722-323-610	I8			43151-323-010	H12	45451-283-000	G11		
		33741-333-610	I2					45465-341-700	G6		
		33741-340-670	G12					45500-346-621	G9		



PART NO. INDEX

Part No.	Address No.	Part No.	Address No.	Part No.	Address No.	Part No.	Address No.	Part No.	Address No.	Part No.	Address No.
92000-06028	H13	93500-06006-02	G13	94002-06300	H8	94111-06000	H8	95011-61000	H11	99001-20000	H10
	C2	93500-06012	C14	94002-08000-05	H16		H10	95012-17000	H6	99003-30000	H10
92000-06040	C2			94002-10000-05	I1		H11	95014-19000	H16	99003-40000	H10
	H9	93500-06016	C3	94002-12000-05	I4		I2	95014-41000	G13	99003-50000	H10
92000-06045	C2				I5		I7	95014-61100	I10	99005-02000	H10
	C14			94021-06020	G5	94111-06700	G5	95014-61200	I10	99006-12000	H10
92000-06050	C3	93500-06020-49	I2	94030-08000	G13	94111-08000	G13	95014-71700	H14	99006-26000	H10
92000-08028-0A	H12	93500-06020	C3	94030-10000	H3		G15	95014-72401	H14	99007-45000	H10
92000-08040-0A	H16				I11		H8	95014-73300	H12	99008-02000	H10
	I11	93500-06025	C3	94030-12000	I11		H11	95015-32001	H12	99124-076-0400	O10
92000-08065-0A	H6	93500-06028	C12	94101-05000	C9	94111-08700	G5	95015-42000	H12	99202-60107-80	O10
92000-10025-0B	G4	93500-06032	C12			94111-10000	H14	95015-52000	H12	99202-60110-00	O10
92000-10035-0A	G8			94101-06000	C4		H16	95015-83000	H14		
92000-10040-0A	H13	93500-06035	C14		C14		I12	95700-06022	C7		
92020-06020	C11	93500-06040	C3		G10			95700-06032	C3		
	D8	93500-06055	C14		G14	94111-10800	G4		C4		
	G14	93500-06065	C12		H5	94111-12000	I4		C15		
92200-06025	G14	93500-06080	C10		H8		I5		C16		
92200-08035-0A	I11	93600-06016-07	H5		H10		I12	95700-06040	C16		
92200-10050-0A	I11	93600-06018	D9		H16	94201-16150	H14	95700-06050	C16		
92200-10080-0A	I11	93600-06019	D3		I2	94201-16220	G15	95700-06055	C9		
92600-03080-80	I2	93600-06020	D8		I9	94201-20180	H16		C16		
92700-08050-30	G12	93700-03025-08	I4	94101-06200	C14	94201-25200	H1	95700-06065	C3		
92800-12000	C15	93700-03045-08	I5	94101-06700	G5	94201-25250	H14		C4		
		93700-05015-04	G16	94101-08000	G13	94201-40300	H3	95700-06100	C16		
93000		93700-06010-02	C3		G14	94251-05000	G4	95700-06105	C16		
93000-06025-02	G9	93700-06025-02	I4		H6	94251-06000	H5	95700-08100	G16		
93000-06028-02	I4	93700-06032	C9		H14	94251-08000	H16				
	I5	93901-25080	H5		H16	94301-08140	C10	96000			
93000-08050-0A	I11	93901-25310	C16		I11		C12				
93000-08055-0A	I11	93901-26110	C16	94101-08200	I8	94301-12180	C5	96100-62050	D4		
93000-08074-0B	G8			94101-08700	G5	94302-06100	C14	96140-63020	G16		
93000-10032-0A	I1	94000		94101-10000	H14	94302-10160	C4	96140-63040-10	H3		
93200-08032-0A	H12			94101-10200	G4		C16	96140-63050-10	H3		
93500-03010-0A	D10	94001-05000-05	D9	94101-12000	I11	94303-08140	D4	96201-30001	C14		
	I5	94001-06000	C3	94102-10000	G8	94510-12000	H8	96201-80000	H16		
93500-03012-1A	G4				G14	94510-18000	H8	96211-08000	G8		
93500-03045-0B	I8			94109-12000	C15	94510-20000	C11	96211-10000	C14		
93500-04010-0A	D10			94111-03000	O10	94510-30000	D4		H12		
93500-04020-0A	H9			94111-04000	C14	94521-48000	G13	98000			
93500-04050-4J	I6			94111-05000	O9	94601-15000	D2				
93500-05006-0A	C4				O10	94608-50000	G13	98069-57711	C4		
93500-05008-0A	I4				G4			98069-57723	C4		
93500-05012-0A	C8				G6	95000		98200-10500	H8		
	O9				I9			98200-10700	H8		
93500-05016-0A	D10			94111-06000	C14	95001-35330-40	O9	98200-11500	H8		
93500-05016-0B	G4	94001-06070	G5		H8	95001-55170-40	O9	98202-22250	H6		
93500-05016-0F	H11	94001-08000-05	H8		H5						
93500-05020-0A	C4				G10						
	I9				G15						
	C4				H5						
93500-05025-0A	G6	94001-08020-05	G8			95002-02070	O9	99000			
93500-05032-0A	G6	94001-08070-05	G5			95002-02100	O9				
		94001-10000-05	H13			95011-40000	H12	99001-10120	H10		
		94002-06000	G9					99001-14170	H10		
								99002-13500	H10		
								99003-10000	H10		

