



**HONDA**



Courtesy of  
[www.honda4fun.com](http://www.honda4fun.com)

Honda4Fun  
[www.honda4fun.com](http://www.honda4fun.com)

**CB750F2**  
**CB750F3**

**3**  
**PARTS LIST**

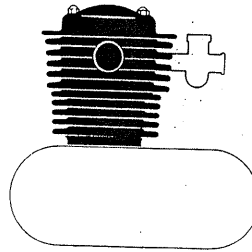


# CONTENTS - ENGINE GROUP

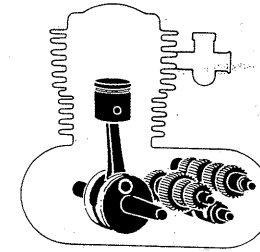
## CONTENTS

	Page
● Contents-Engine group .....	1
● Contents-Frame group .....	2
● Instruction for use of parts list .....	3
● How to use the flat rate time (F.R.T.) .....	6
● Model photograph .....	8
● Engine group .....	9
● Frame group .....	46
● Part No. index .....	104

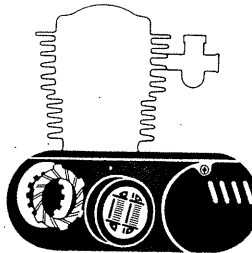
Courtesy of  Honda4Fun  
[www.hondafour.com](http://www.hondafour.com) [www.honda4fun.com](http://www.honda4fun.com)



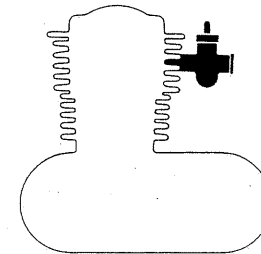
E- 1	Cylinder head cover .....	9
E- 2	Cylinder head .....	10
E- 3	Cylinder .....	12
E- 4	Camshaft · Camshaft holder .....	13
E- 5	Valve · Rocker arm .....	14
E- 6	Cam chain · Tensioner .....	15



E-15	Crankshaft · Piston .....	29
E-16	Primary chain · Kick starter · Final shaft .....	35
E-17	Transmission .....	36
E-18	Gearshift drum · Spindle .....	38

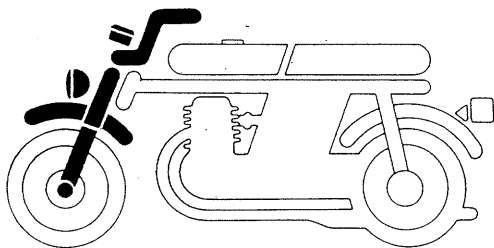


E- 7	Contact breaker · Advancer .....	16
E- 8	Clutch cover .....	18
E- 9	Clutch .....	20
E-10	Generator · Dynamo cover .....	21
E-11	Starting motor · Crankcase cover .....	23
E-12	Oil filter · Oil pan .....	25
E-13	Oil pump .....	26
E-14	Crankcase .....	27

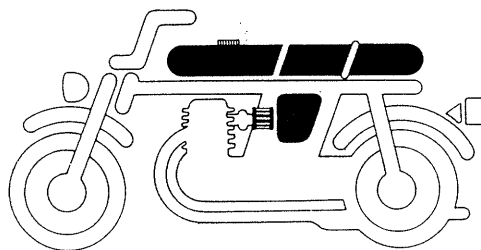


E-19	Carburetor (Assy. · Link) (CB750F2) .....	40
E-19-1	Carburetor (Component parts) (CB750F2) .....	42
E-20	Carburetor (Assy. · Link) (CB750F3) .....	43
E-20-1	Carburetor (Component parts) (CB750F3) .....	45

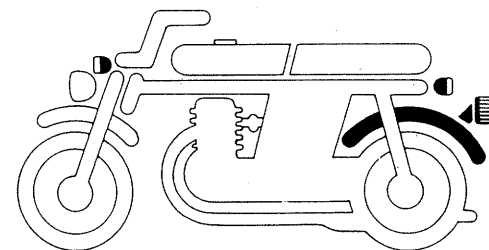
# CONTENTS - FRAME GROUP



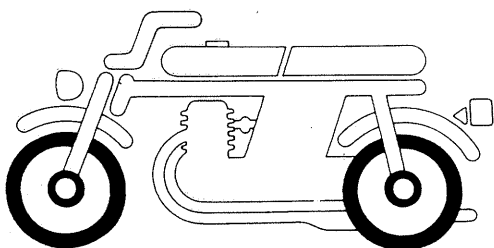
F- 1	Headlight (A, CM)	46
F- 1-1	Headlight (DK, DM, U)	48
F- 1-2	Headlight (E, ED, F, G)	49
F- 2	Speedometer · Tachometer · Pilot lamp	51
F- 3	Handle lever · Switch · Cable	53
F- 4	Handle pipe · Top bridge · Stem	55
F- 5	Front master cylinder	57
F- 6	Front fender	59
F- 7	Front fork	60



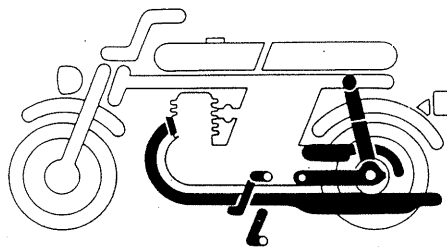
F-13	Fuel tank · Cock	72
F-14	Side cover · Oil tank · Tool	74
F-15	Seat	76
F-16	Air cleaner	78



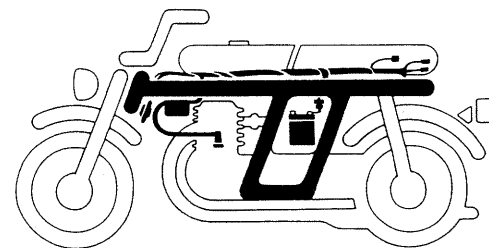
F-23	Rear fender	90
F-24	Winker (A, CM)	92
F-24-1	Winker (DK, DM, U)	93
F-24-2	Winker (E, ED, F, G)	94
F-25	Taillight (A, CM)	95
F-25-1	Taillight (DK, DM, U)	96
F-25-2	Taillight (E, ED, F, G)	97



F- 8	Front brake caliper	62
F- 9	Front wheel · Disk	64
F-10	Rear master cylinder	66
F-11	Rear brake caliper	68
F-12	Rear wheel · Disk	70



F-17	Exhaust muffer	81
F-18	Change pedal · Brake pedal · Kick starter arm	83
F-19	Step · Stand	84
F-20	Pillion step	86
F-21	Rear fork · Drive chain · Chain case	87
F-22	Rear cushion	88



F-26	Battery · Regulator	98
F-27	Wire harness · Horn	100
F-28	Frame body	102





### 3. Abbreviations

The following abbreviations are used in this parts list.

ASSY. .... Assembly	KPH ..... Kilometers per hour
COMP. .... Complete	MPH ..... Miles per hour
R. .... Right	L (100L) ..... Link (100Links)
L. .... Left	A.C. .... Alternating current
STD. .... Standard	D.C. .... Direct current
MM ..... Millimeter	IN. .... Inlet
G ..... Gram	EX. .... Exhaust
T (22T) ..... Tooth (22Teeth)	FR. .... Front
A ..... Ampere	RR. .... Rear
V ..... Volt	HEX. .... Hexagonal
W ..... Watt	

### 4. Dimensions

All dimensions are given in millimeters (mm) except in the case of steel balls, tires and tire tubes.

Parts	Example	Interpretation
Bolt (Screw)	6×12	6mm diameter, 12mm length
Pin	8×14	8mm diameter, 14mm length
O-Ring	9.5×1.6	9.5mm diameter, 1.6mm thickness
Oil seal	14×24×5	14mm inside diameter, 24mm outside diameter, 5mm thickness
Tube	5×130	5mm inside diameter, 130mm length

### 5. Supersedence of parts

Part numbers given under the part name in the "Description" column indicate that the part number has been superseded by that part number. HONDA may make such supersedence without notice.

### 6. Assemblies

Sections framed with broken lines in the exploded view drawings are available as complete assemblies. (Their individual parts can also be obtained.)

### 7. Required quantity

The number given in the "Reqd. No." column indicates the quantity of parts used in the section described in that block.

Parts with quantities in ( ) represent optional parts.

Part whose required number is "N", is part whose required number can be selected at need.

### 8. Part modifications and applicable serial numbers

In cases where a part has been modified, the serial number of the first vehicle (or frame, engine, carburetor) bearing the modification is listed in the "Serial No." column.

### 9. Models, area codes and applicable serial numbers

Models, area codes and applicable serial Nos. given in this parts list can be identified as follows.

Parts with area codes are exclusive for models destined for countries designated.

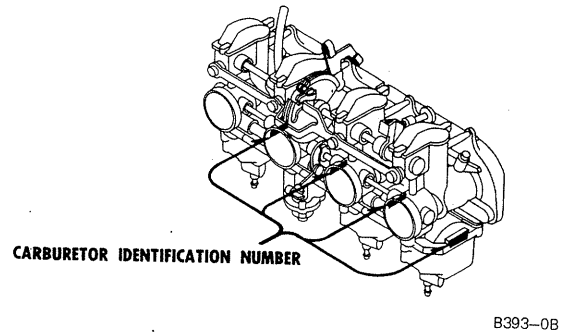
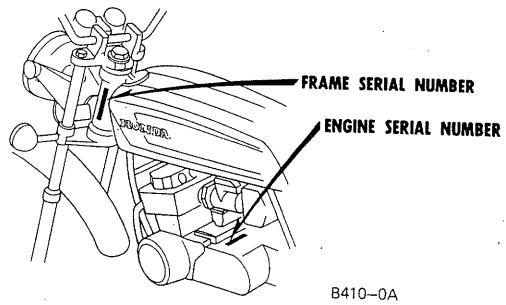
If no area codes are listed, parts are for common use.

Model	Area code	Type	Applicable engine serial No.	Applicable frame serial No.	Applicable carburetor identification No.
CB750F2	A	U.S.A.	CB750E-2600014~2611413	CB750F-2100011~2111489	PD41B <u>A</u> ~ PD41B <u>B</u>
	CM	Canada	CB750E-2601723~2609080	CB750F-2101415~2109050	PD41B <u>A</u>
	DK	General export (KPH)	CB750E-2612041~2616276	CB750G-1001962~1015974	PD41B <u>B</u>
	DM	General export (MPH)	CB750E-2612339~2614872	CB750G-1002957~1012424	
	E	England	B750GE-1000016~1012651	CB750G-1000014~1015084	PB41B <u>A</u> ~ PB41B <u>B</u>
	ED	European direct sales	B750GE-1000018~1012648	CB750G-1000018~1015124	
	F	France	B750GE-1000014~1011281	CB750G-1000016~1013334	
	G	Germany	B750GE-1002134~1012145	CB750G-1002412~1014194	
	U	Australia	CB750E-2610038~2616276	CB750G-1000020~1016024	PD41B <u>B</u>
CB750F3	A	U.S.A.	CB750E-3100002~3157915	CB750F-2200001~2257915	PD42A <u>A</u>
	CM	Canada	CB750E-3101836~3156869	CB750F-2201823~2256865	PD42A <u>A</u>

\*Of carburetor identification numbers, only the portions underlined in the example below are used for registration.

PD41 B A KC ア

10. Location of stamped serial number



11. This parts list is compiled as of September 10, 1978 and published as the final edition.



## HOW TO USE THE FLAT RATE TIME (F.R.T.)

This F.R.T. (Flat Rate Time) is used to determine the standard labor time allowed for replacement of parts covered by the warranty during the period the warranty is in effect. The F.R.T. for those parts which are not listed herein should be determined from the operation closely related to the replacement of that part.

### 1. The F.R.T. is based on the following servicing conditions

- A liberal allowance is added to the net servicing time.
- Standard times specified are based on the condition that the necessary servicing tools listed in the service manual (motorcycle) which describes the HONDA service policy are available close at hand and the work performed by a mechanic with normal skill.
- Time required for inspection and operational test following the servicing is included in the F.R.T.

### 2. Method of computing

The job times are listed in tenth of an hour to simplify computation.

- (Example) 0.3 = 18 minutes  
5.6 = 5 hours and 36 minutes

CONVERSION CHART			
Hours	Minutes	Hours	Minutes
0.1	6	0.6	36
0.2	12	0.7	42
0.3	18	0.8	48
0.4	24	0.9	54
0.5	30	1.0	60

### 3. Computing the F.R.T.

When several jobs are performed at the same time, make the calculation in the following manner.

#### a. Jobs of non duplicated nature

The F.R.T. for the job is obtained by totalling the F.R.T. for each part replaced.

(Example) Replacement of cylinder and clutch spring.

Service item	F.R.T.
Cylinder	☆5.1
Clutch spring	0.6

The F.R.T. for the job is:  $5.1 + 0.6 = 5.7$

#### b. Jobs of duplicated nature

Take the F.R.T. for the last part to be replaced.

(Example) Replacement of piston and cylinder head gasket.

Service item	F.R.T.
Cylinder head gasket	☆4.6
Piston	☆5.2

The F.R.T. for the job is: 5.2

#### c. Jobs of partially related nature

Total up the F.R.T. for all of the parts replaced and then subtract the F.R.T. for the duplicated operation.

(Example) Replacement of gear shift drum and crankshaft assembly.

Service item	F.R.T.
Gear shift drum	☆5.8
Crankshaft	☆8.6
Crankcase disassembly	☆5.5

The F.R.T. for the job is:  $(5.8 + 8.6) - 5.5 = 8.9$

Crankcase disassembly is the duplicated operations.

- The F.R.T. shown with (☆) includes engine removal and installation.

#### 4. Operations other than replacing parts

##### a. Removal and installation

No.	Service item	F.R.T.
1	Engine	3.0
2	Cylinder head	☆4.6
3	Carburetor	0.8

##### b. Adjustment, measurement and cleaning

###### Engine

No.	Service item	F.R.T.
1	Point-adjustment (including ignition timing adjustment)	0.4
2	Ignition timing-adjustment	0.3
3	Spark plug-adjustment and cleaning	0.5
4	Tappet adjustment	0.7
5	Carburetor idle-adjustment	0.2
6	Engine oil-inspection (excluding oil change)	0.2
7	Clutch-adjustment	0.3
8	Cleaner element-cleaning	0.3
9	Compression-pressure measurement	0.2
10	Battery-checking of electrolyte level and gravity	0.2
11	Carburetor-float level measurement	1.1
12	Oil filter cleaning	0.3
13	Throttle operation-adjustment	0.1
14	Carburetor synchronization-adjustment	0.6

##### Frame

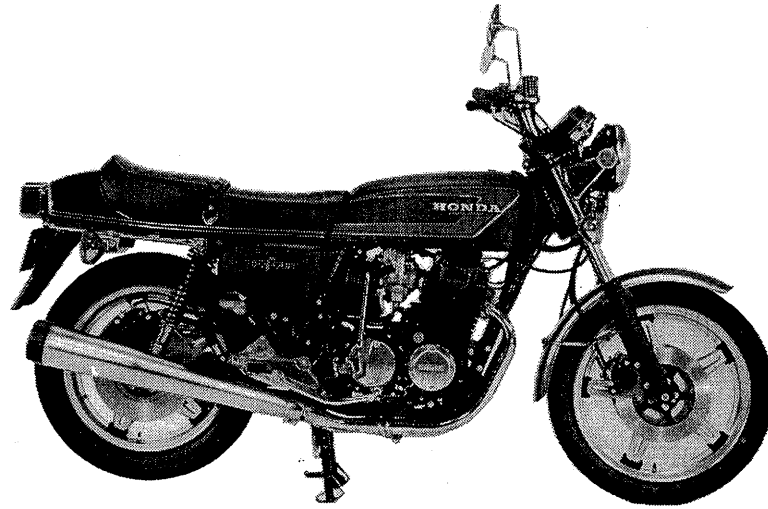
No.	Service item	F.R.T.
1	Front brake-air bleeding	0.2
2	Rear brake-air bleeding	0.2
3	Brake-operation test	0.1
4	Headlight-aimings	0.2
5	Drive chain (includes tension adjustment however, does not include sprocket)	0.1
6	Front wheel balance	0.8
7	Rear wheel balance	0.9

##### c. Overhaul

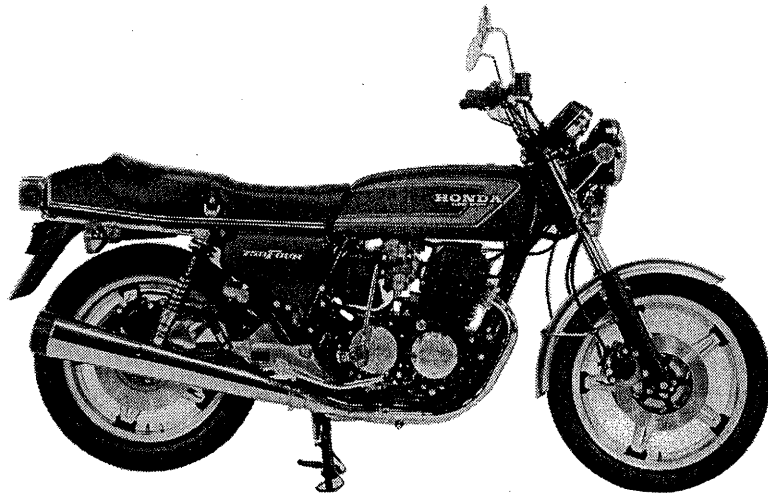
No.	Service item	F.R.T.
1	Carburetor	3.2







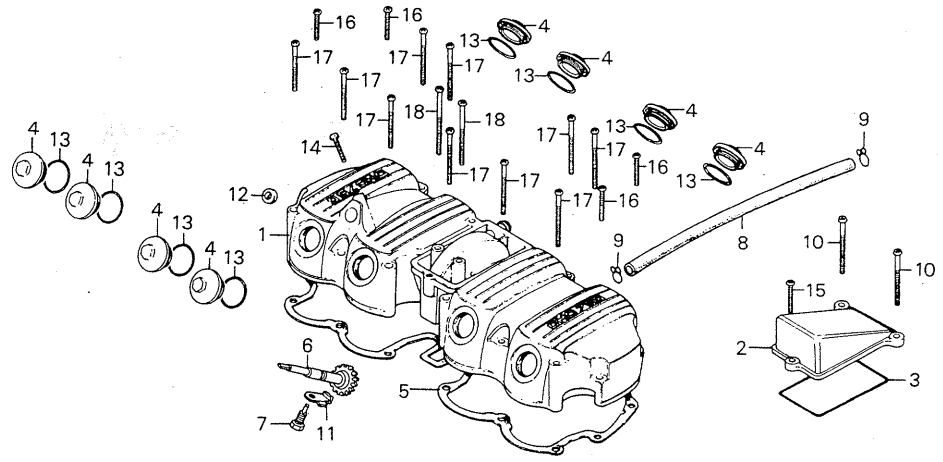
CB750F2-A



CB750F3-A

# E-1

## Cylinder head cover



ENGINE GROUP

8405-1

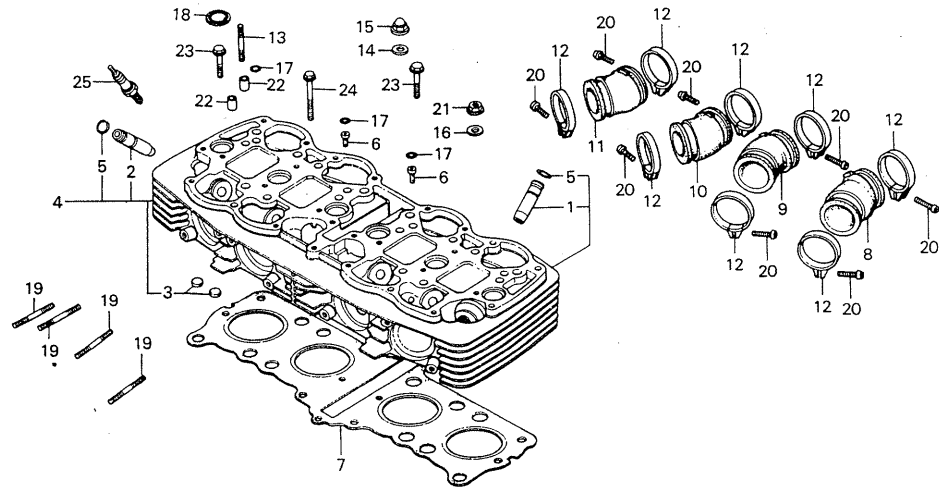
Service item	F.R.T.	Ref. No.	Part No.	Description	Reqd. No. CB750 F2 F3	Serial No.	Area code
CYLINDER HEAD COVER	*3.3	1	12310-410-010	COVER, CYLINDER HEAD	1		
TACHOMETER GEAR and its related parts	*3.2		12310-410-600	COVER, CYLINDER HEAD	1		
CYLINDER HEAD COVER GASKET	*3.1	2	12321-410-000	COVER, HEAD BREATHER	1	1004333	E,ED,F,G
HEAD BREATHER COVER	*3.0		12321-410-600	COVER, HEAD BREATHER	1	2612797	A,CM,DK,DM,U
BREATHER TUBE	0.1				1	1004334	E,ED,F,G
					1	2612798	A,CM,DK,DM,U
		3	12329-300-020	GASKET, BREATHER COVER	1		
		4	12361-300-000	CAP, TAPPET ADJUSTING HOLE	8		
		5	12391-300-040	GASKET, CYLINDER HEAD COVER	1		
		6	12431-300-010	GEAR, TACHOMETER	1		
		7	12435-300-003	BOLT, TACHOMETER GEAR STOPPER	1		
		8	15713-405-000	TUBE, BREATHER	1		
			15713-405-600	TUBE, BREATHER	1		
		9	15772-292-010	CLIP, BREATHER TUBE	2		
			90646-657-000	CLIP, AIR HOSE, 16	2		
		10	90018-300-000	SCREW, PAN, 6X75	2		
		11	90439-300-000	WASHER, LOCK	1		
		12	91211-286-003	OIL SEAL, 4.8X14.5X4	1		
		13	91302-001-020	O-RING, 30.8MM	8		
		14	93500-05025-1A	SCREW, PAN, 5X25	1		
		15	93500-06020	SCREW, PAN, 6X20	1		
		16	93500-06040	SCREW, PAN, 6X40	4		
		17	93500-06060	SCREW, PAN, 6X60	10		
		18	93500-06080	SCREW, PAN, 6X80	2		

1978.09.10



# E-2

## Cylinder head



B410-1

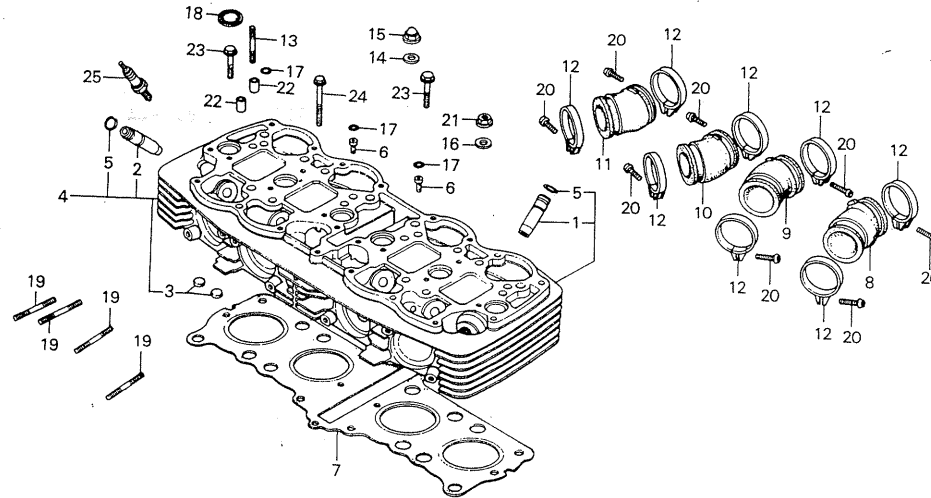
Service item	F.R.T.	Ref. No.	Part No.	Description	Reqd. No.		Serial No.	Area code
					CB750	F2 F3		
CYLINDER HEAD COMP.	*8.1	1	12021-410-300	GUIDE, IN. VALVE	4	4		
VALVE GUIDE	*5.1	2	12023-410-300	GUIDE, EX. VALVE	4	4		
* Reaming included add 0.2		3	12195-410-000	RUBBER, INSERT	2	2		
Valve seat refacing excluded,		4	12200-410-000	HEAD COMP., CYLINDER	1	1	<del>12 289</del> HP 16824	
If it refaced and more 0.2		5	12211-250-310	CLIP, VALVE GUIDE	8	8		
CYLINDER HEAD GASKET	*4.6	6	12238-300-010	DRIFICE, OIL CONTROL	2	2		
OIL CONTROL ORIFICE	*4.0	7	12251-410-000	GASKET, CYLINDER HEAD	1	1		
CARBURETOR INSULATOR	0.9	8	16211-410-000	INSULATOR 1, CARBURETOR	1	1		
8 x 50 STUD BOLT	0.5	9	16212-410-000	INSULATOR 2, CARBURETOR	1	1		
* Add 0.1		10	16213-410-000	INSULATOR 3, CARBURETOR	1	1		
SPARK PLUG	0.1	11	16214-410-000	INSULATOR 4, CARBURETOR	1	1		
		12	17255-405-000	BAND, INSULATOR	8	8		
		13	90055-300-000	BOLT, STUD, 6X58	4	4		
		14	90441-377-000	WASHER, SEALING, 8MM	4	4		
		15	90443-107-000	NUT, CAP, 8MM	4	4		
		16	90485-035-000	WASHER, 14MM	12	12		
		17	91305-323-000	O-RING, 5.8X1.9	4	4		
		18	91318-300-013	RUBBER, SEALING	6	6		
		19	92700-08050-OE	BOLT, STUD, 8X50	8	8		
		20	93500-04022-OA	SCREW, PAN, 4X22	8	8		
		21	94034-08000	NUT, FLANGE, 8MM	12	12		
		22	94301-08140	PIN A, DOWEL, 8X14	6	6		
		23	95700-06035-00	BOLT, FLANGE, 6X35	5	5		
		24	95700-06090-00	BOLT, FLANGE, 6X90	1	1		
		25	98069-38710	PLUG, SPARK (D-8ES-L NGK)	4	4		
			98069-38716	PLUG, SPARK (DR8ES-L NGK)	4	4		

2612548 A,DK,DM,U  
CM,E,ED,F,G

# E-2

## Cylinder head

Courtesy of  Honda4Fun  
 www.hondafour.com www.honda4fun.com



B410-1

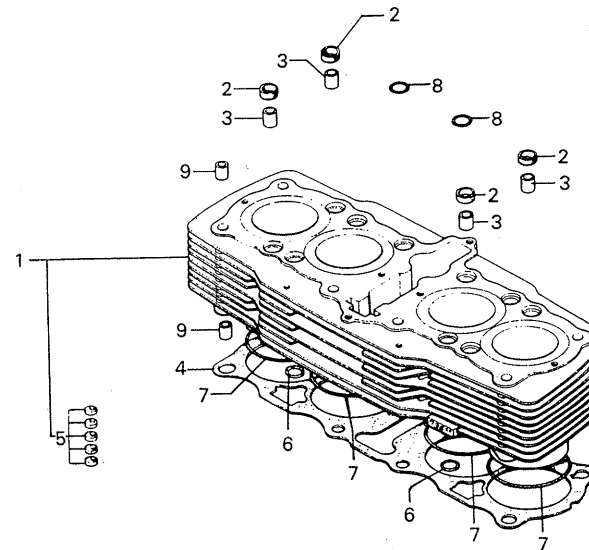
Service item	F.R.T.	Ref. No.	Part No.	Description	Reqd. No. CB750 F2 F3	Serial No.	Area code
			98069-58721	PLUG, SPARK (X24ES ND)	4	2612548	A,DK,DM,U
			98069-58726	PLUG, SPARK (X24ESR-U ND)	4		CM,E,ED,F,G
			98069-58717	PLUG, SPARK (D8EA NGK)	4	2612549	A,DK,DM,U
			98069-58727	PLUG, SPARK (X24ES-U ND)	4	2612549	A
					4		A,DK,DM,U
							A

1978.09.10



E-3

Cylinder



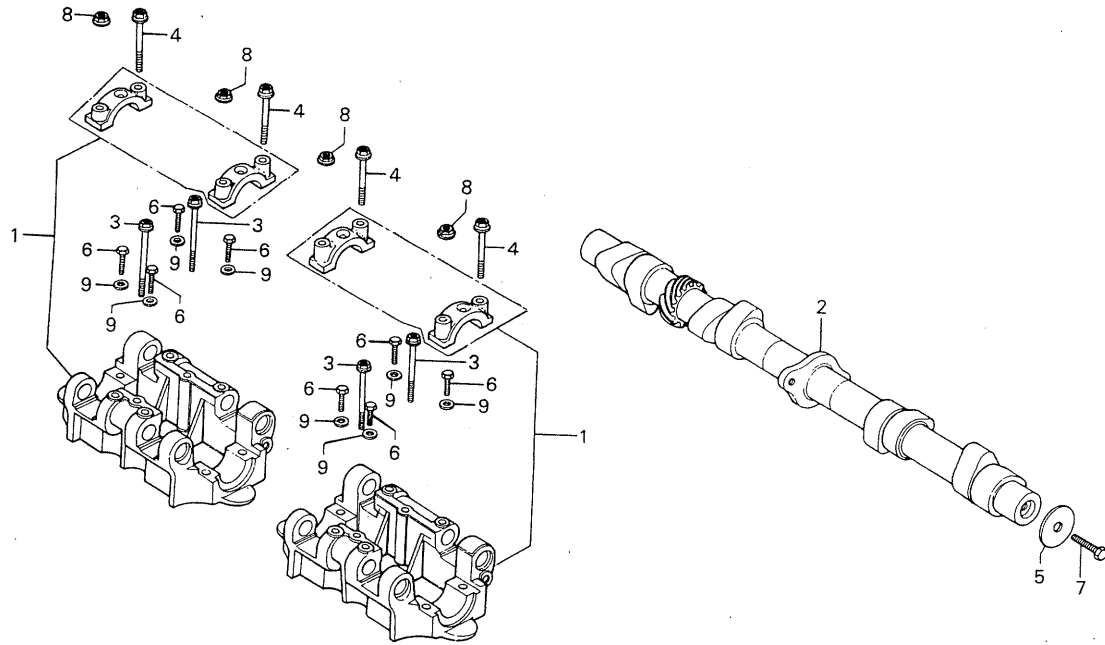
B410-2

Service item	F.R.T.	Ref. No.	Part No.	Description	Reqd. No.		Serial No.	Area code	
					CB750	F2 F3			
CYLINDER COMP./CYLINDER GASKET	*5.1	1	<del>12100-410-000</del>	CYLINDER COMP. <i>9530</i>	1		1006022	E, ED, F, G	
					1		2613818	A, CM, DK, DM, U	
			12100-410-010	CYLINDER COMP. <i>10935 12672</i>	1		1006023	E, ED, F, G	
							2613819	A, CM, DK, DM, U	
							3111465		
		2	12115-300-000	PACKING, CYLINDER STUD BOLT	4	4			
		3	12116-300-000	PIN, SPECIAL KNOCK, 12MM	4	4			
		4	12191-300-030	GASKET, CYLINDER	1	1			
		5	12195-410-000	RUBBER, INSERT	20	20			
6	91301-410-000	O-RING, 5.5X3	4	4					
7	91304-286-000	O-RING, 61.8X2.0	4	4					
8	91310-300-000	O-RING, 11X2.5	2	2					
9	94301-12180	PIN A, DOWEL, 12X18	4	4					

# E-4

## Camshaft · Camshaft holder

Courtesy of  Honda4Fun  
www.honda4fun.com



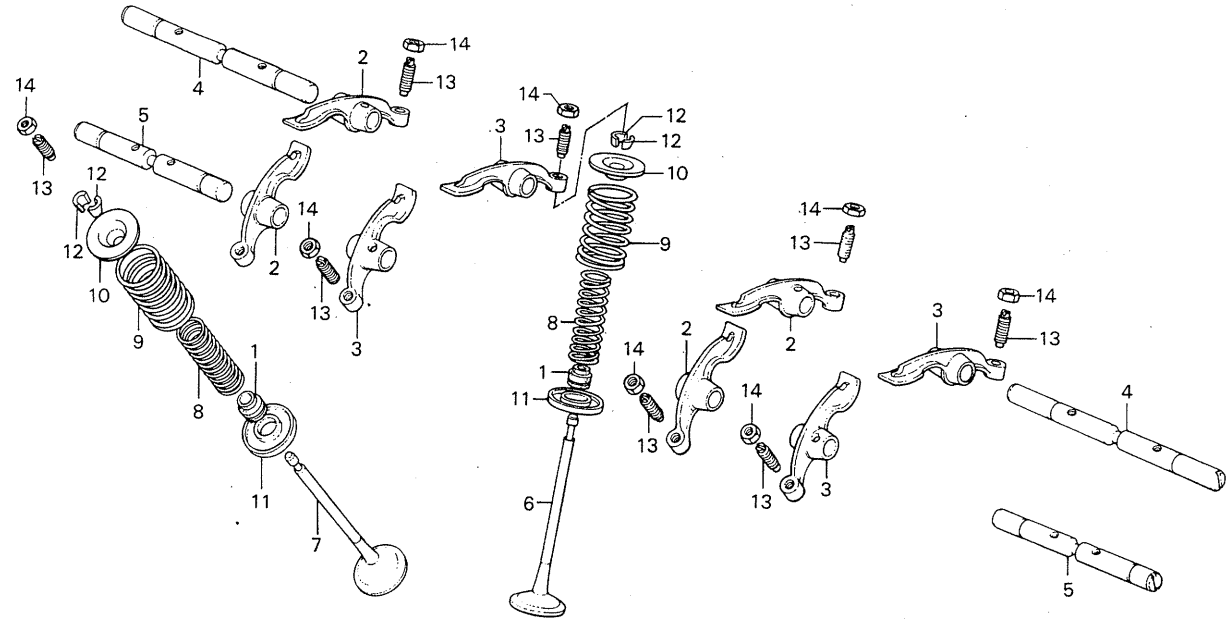
B405-4

Service item	F.R.T.	Ref. No.	Part No.	Description	Reqd. No.		Serial No.	Area code
					CB750	F2 F3		
CAMSHAFT HOLDER SET	*4.0	1	12010-410-000	HOLDER SET, CAMSHAFT	2	2		
CAMSHAFT	*3.8	2	14101-410-000	CAMSHAFT	1	1		
		3	90052-300-000	BOLT, SHAFT STOPPER	4	4		
		4	90054-300-000	BOLT, FLANGE, 6X58	4	4		
		5	90453-300-000	WASHER, THRUST, 8MM	1	1		
		6	92000-05016-0A	BOLT, HEX., 5X16	8	8		
		7	92100-08020-0A	BOLT, HEX., 8X20	1	1		
		8	94050-06000	NUT, FLANGE, 6MM	4	4		
		9	94101-05000	WASHER, PLAIN, 5MM	8	8		

1978.09.10

# E-5

## Valve · Rocker arm



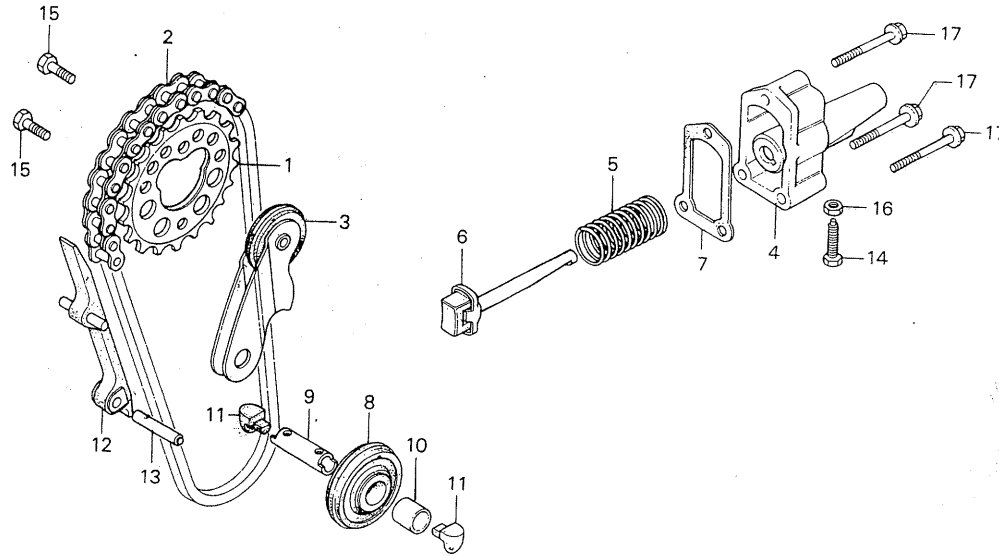
B392-3A

Service item	F.R.T.	Ref. No.	Part No.	Description	Reqd. No. CB750 F2 F3	Serial No.	Area code
VALVE	*4.9	1	12209-300-003	SEAL, VALVE STEM	8 8		
* Add 0.2 Reaming included		2	<del>14431-300-030</del>	ARM A, VALVE ROCKER <i>245 360</i>	4 4		
VALVE SPRING and its related parts	*4.8	3	14432-300-030	ARM B, VALVE ROCKER <i>104 118</i>	4 4		
* Add 0.1		4	<del>14461-300-020</del>	SHAFT, IN. ROCKER ARM <i>98 110</i>	2 2		
VALVE ROCKER ARM and its related parts	*3.4	5	<del>14462-300-010</del>	SHAFT, EX. ROCKER ARM <i>98 110</i>	2 2		
		6	<del>14711-410-010</del>	VALVE, IN. <i>259 262</i>	4 4		
		7	<del>14721-410-010</del>	VALVE, EX. <i>456 543</i>	4 4		
		8	14751-410-005	SPRING, VALVE INNER	8 8		
		9	14761-410-005	SPRING, VALVE OUTER	8 8		
		10	14771-410-010	RETAINER, VALVE SPRING	8 8		
		11	14775-410-010	SEAT, VALVE SPRING	8 8		
		12	14781-410-000	COTTER, VALVE	16 16		
		13	90012-300-000	SCREW, TAPPET ADJUSTING	8 8		
		14	<del>90205-300-000</del>	NUT, TAPPET ADJUSTING	8 8		
			<i>9016 150,000</i>				
			<i>90106</i>				

# E-6

## Cam chain · Tensioner

Courtesy of  Honda4Fun  
www.hondafour.com www.honda4fun.com



B392-38

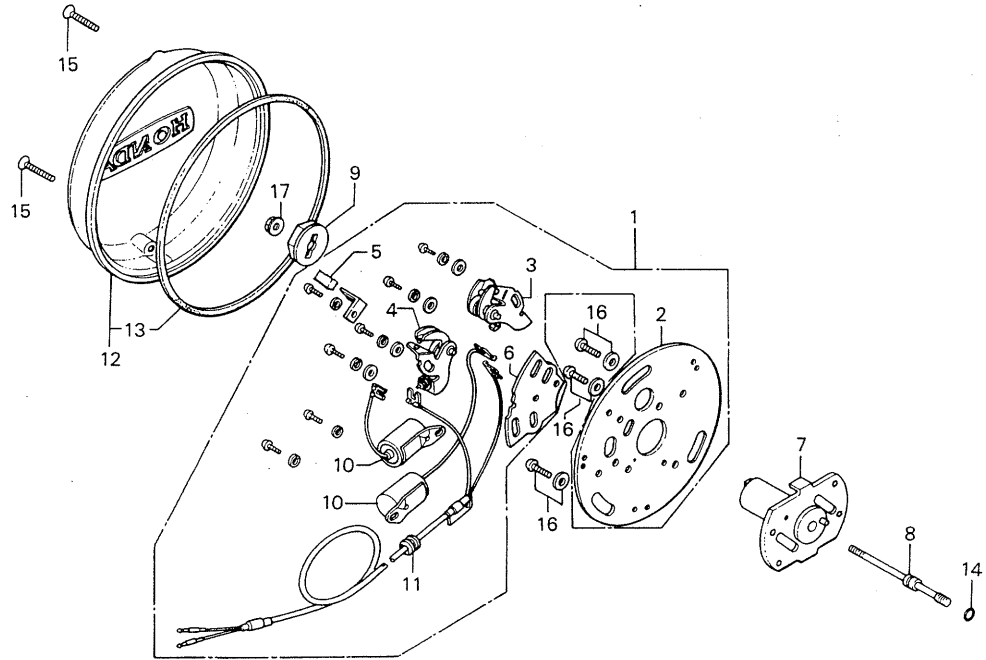
Service item	F.R.T.	Ref. No.	Part No.	Description	Reqd. No. CB750 F2 F3	Serial No.	Area code
CAM CHAIN	☆7.7	1	14321-392-000	SPROCKET, CAM	1	1	228
CAM CHAIN TENSIONER/CAM CHAIN GUIDE ROLLER	☆5.0	2	14401-410-003	CHAIN, CAM <i>619</i> ✓	1	1	440
CAM SPROCKET	☆3.8	3	14500-300-000	TENSIONER COMP., CAM CHAIN <i>319</i>	1	1	
CAM CHAIN TENSIONER HOLDER and its related parts	0.3	4	14530-300-010	HOLDER COMP., CAM CHAIN <i>286</i> ✓	1	1	
		5	14541-300-000	SPRING, CAM CHAIN TENSIONER	1	1	
		6	14550-300-030	BAR COMP., CAM CHAIN TENSIONER	1	1	
		7	14592-300-000	GASKET, CAM CHAIN TENSIONER	1	1	
		8	14601-312-000	ROLLER, CAM CHAIN GUIDE <i>98 127</i>	1	1	
		9	14605-286-020	PIN, CAM CHAIN ROLLER	1	1	
		10	14606-286-000	COLLAR, CAM CHAIN ROLLER	1	1	
		11	14607-300-000	RUBBER, CAM CHAIN ROLLER PIN	2	2	
		12	14611-300-000	GUIDE, CAM CHAIN <i>400 135</i>	1	1	
		13	14612-286-000	PIN, CAM CHAIN GUIDE	1	1	
		14	90009-300-010	BOLT, TENSIONER ADJUSTING	1	1	
		15	90081-246-000	BOLT, KNOCK, 7X12	2	2	
		16	94002-06000-0S	NUT, HEX., 6MM	1	1	
		17	95700-06040-00	BOLT, FLANGE, 6X40	3	3	

1978.09.10



# E-7

## Contact breaker • Advancer

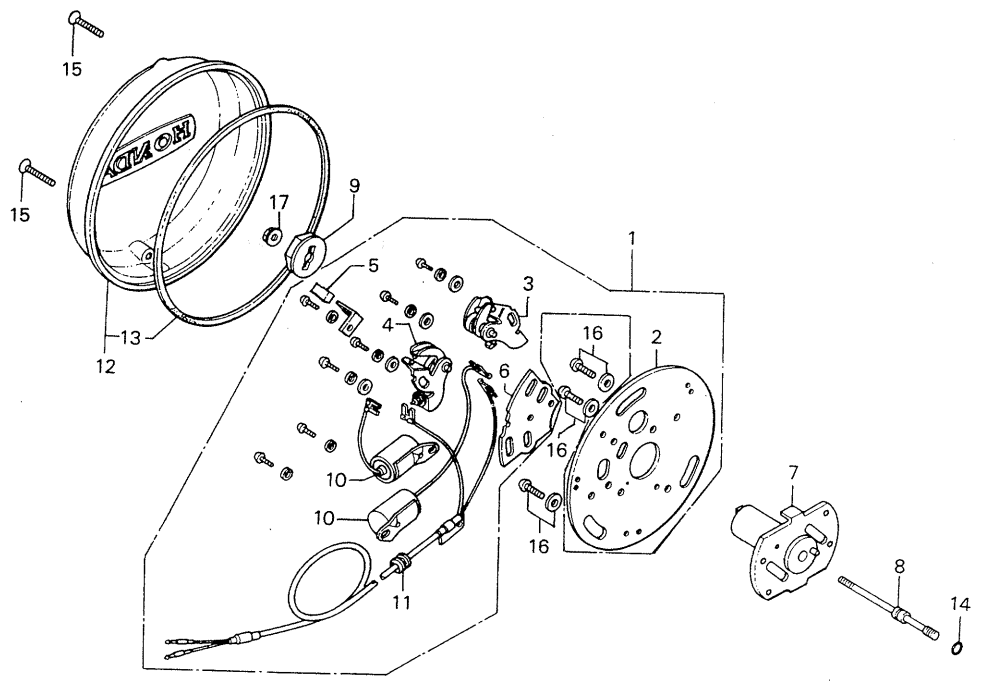


8405-5

Service item	F.R.T.	Ref. No.	Part No.	Description	Reqd. No. CB750 F2 F3	Serial No.	Area code
CONTACT BREAKER BASE PLATE	0.9	1	<del>30200-300-015</del>	<del>BREAKER ASSY., CONTACT</del>	1	1	
CONTACT BREAKER/BREAKER SHIFT PLATE	0.6	2	30200-300-154	BREAKER ASSY., CONTACT (HITACHI)	1	1	618
* Add 0.1		2	30201-300-015	PLATE, CONTACT BREAKER BASE (HITACHI)	1	1	
CONTACT BREAKER ASSY./SPARK ADVANCER ASSY.	0.5		30201-300-154	PLATE, CONTACT BREAKER BASE (TOYO)	1	1	
CONDENSER	0.3	3	30203-300-005	BREAKER, CONTACT (184 HITACHI)	1	1	
* Add 0.1			30203-300-154	BREAKER, CONTACT (184 TOYO)	1	1	
POINT COVER/OIL FELT	0.1	4	30204-300-005	BREAKER, CONTACT (283 HITACHI)	1	1	
			30204-300-154	BREAKER, CONTACT (283 TOYO)	1	1	
		5	30205-003-005	FELT, OIL (HITACHI)	1	1	
			30205-300-154	FELT, OIL (TOYO)	1	1	
		6	30215-300-005	PLATE, BREAKER SHIFT (HITACHI)	1	1	
			30215-300-154	PLATE, BREAKER SHIFT (TOYO)	1	1	
		7	<del>30220-300-005</del>	<del>ADVANCER ASSY., SPARK</del>	1	1	
			30220-300-154	ADVANCER ASSY., SPARK (HITACHI)	1	1	418
		8	30231-300-010	SHAFT, SPARK ADVANCER	1	1	
		9	30233-300-000	WASHER, SPECIAL	1	1	
		10	30250-300-005	CONDENSER COMP. (HITACHI)	2	2	
			30250-300-154	CONDENSER COMP. (TOYO)	2	2	
		11	30254-300-300	GROMMET, PRIMARY CORD	1	1	
		12	<del>30370-300-020</del>	<del>COVER COMP., POINT</del>	1	1	304
		13	30372-300-300	GASKET, POINT COVER	1	1	
		14	91301-300-000	O-RING	1	1	
		15	93700-06032-02	SCREW, OVAL, 6X32	2	2	

# E-7

## Contact breaker • Advancer



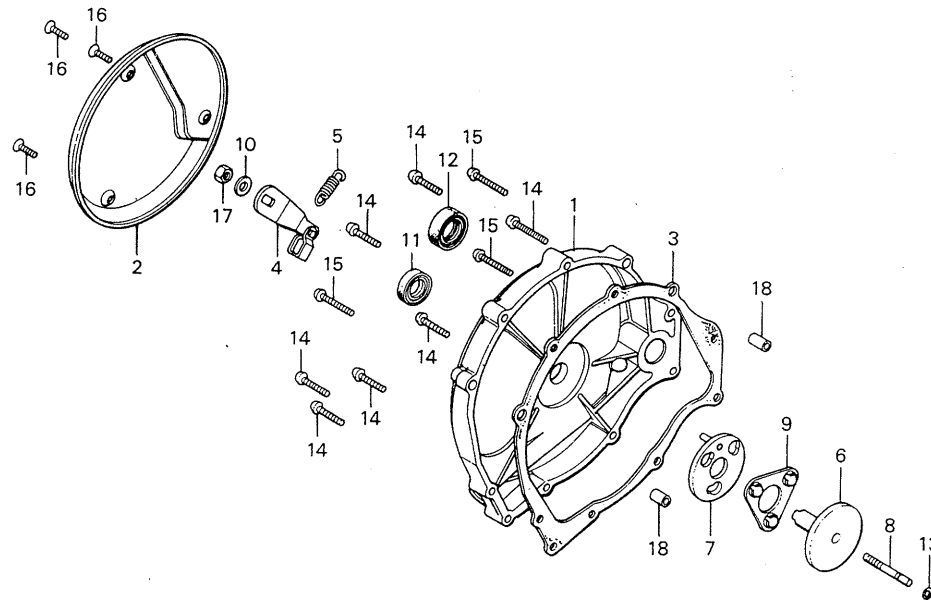
B405-5

Service item	F.R.T.	Ref. No.	Part No.	Description	Reqd. No. CB750 F2 F3	Serial No.	Area code
		16	93891-05012-00	SCREW-WASHER, 5X12	3 3		
		17	94050-06000	NUT, FLANGE, 6MM	1 1		

1978.09.10

# E-8

## Clutch cover



B392-7

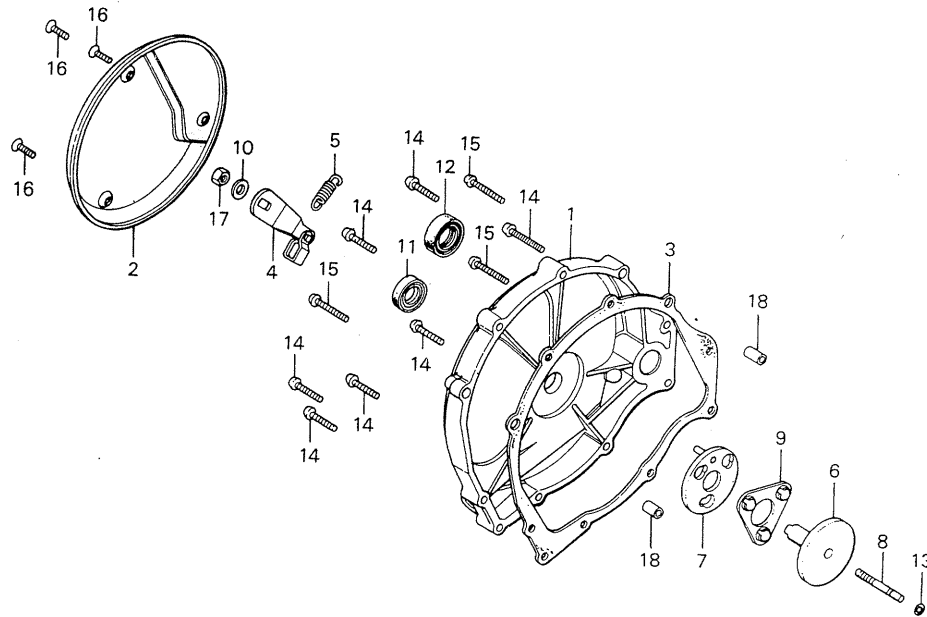
Service item	F.R.T.	Ref. No.	Part No.	Description	Reqd. No.		Serial No.	Area code
					CB750	F2 F3		
CLUTCH COVER	0.7	1	11342-410-010	COVER, CLUTCH 1243 ✓	1			
CLUTCH LIFTER CAM and its related parts	0.6	2	11348-392-000	COVER, CLUTCH ADJUSTING 2213V ✓	1			
• 18 x 29 x 7 OIL SEAL		3	11396-300-060	GASKET, CLUTCH COVER	1			
CLUTCH COVER GASKET	0.5	4	22810-300-000	LEVER COMP., CLUTCH	1			
CLUTCH LEVER	0.3	5	22815-300-000	SPRING, CLUTCH LEVER	1			
CLUTCH ADJUST COVER	0.1	6	22820-410-000	SHAFT, CLUTCH RELEASE	1		1001006	E,ED,F,G
					1		2611809	A,CM,DK,DM,U
					1		3100505	
			22820-410-010	SHAFT, CLUTCH RELEASE	1		1001007	E,ED,F,G
					1		2611810	A,CM,DK,DM,U
					1		3100506	
		7	22830-300-000	CAM COMP., CLUTCH LIFTER	1		1001006	E,ED,F,G
					1		2611809	A,CM,DK,DM,U
					1		3100505	
			22830-410-010	CAM COMP., CLUTCH LIFTER	1		1001007	E,ED,F,G
					1		2611810	A,CM,DK,DM,U
					1		3100506	
		8	22841-410-000	ROD, CLUTCH ADJUST	1			
		9	22860-300-006	RETAINER COMP., CLUTCH BALL	1			
		10	90402-822-000	WASHER, HEAD, 8MM	1			
		11	91202-216-003	OIL SEAL, 14X24X5	1			
		12	91204-286-003	OIL SEAL, 18X29X7	1			
			91204-286-005	OIL SEAL, 18X29X7	1			
		13	91301-283-005	O-RING, 5X2.4	1			
		14	93500-06028	SCREW, PAN, 6X28	7			
		15	93500-06035	SCREW, PAN, 6X35	3			
		16	93700-06016-02	SCREW, OVAL, 6X16	3			

# E-8

## Clutch cover



Courtesy of [www.hondafour.com](http://www.hondafour.com) Honda4Fun [www.honda4fun.com](http://www.honda4fun.com)



B392-7

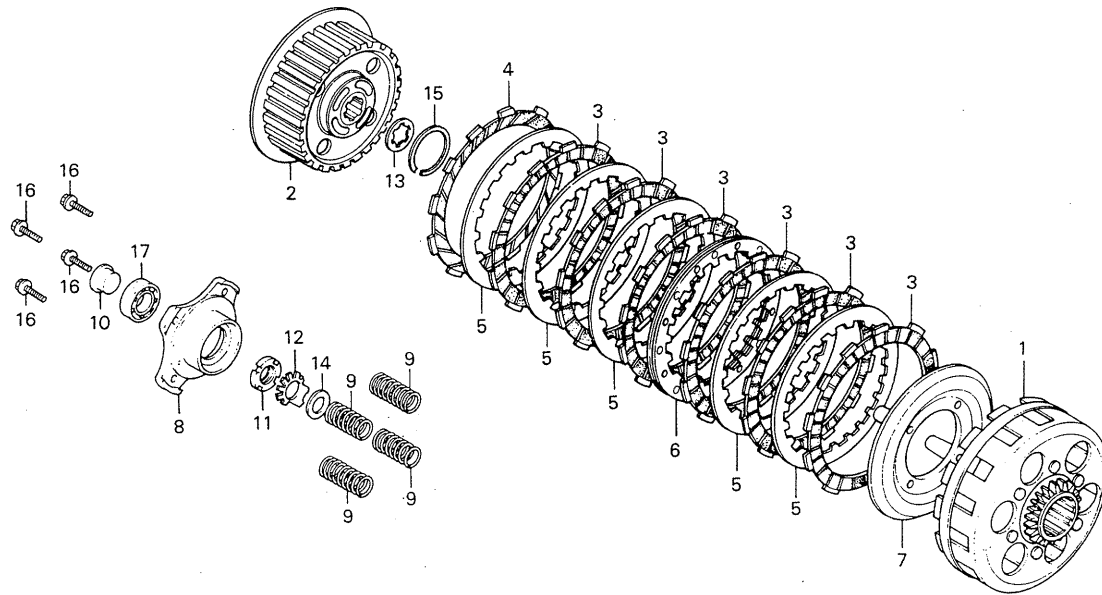
Service item	F.R.T.	Ref. No.	Part No.	Description	Reqd. No. CB750 F2 F3	Serial No.	Area code
		17	94002-08000-0S	NUT, HEX., 8MM	1	1	
		18	94301-08140	PIN A, DOWEL, 8X14	2	2	

1978.09.10



# E-9

## Clutch



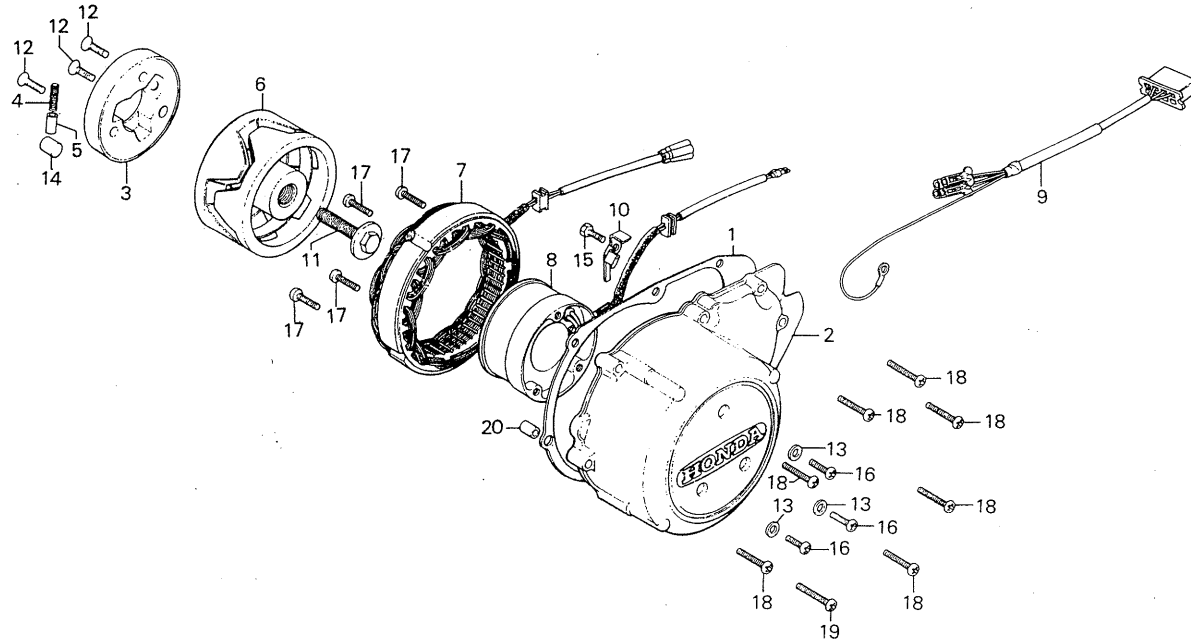
B405-6

Service item	F.R.T.	Ref. No.	Part No.	Description	Reqd. No. CB750 F2 F3	Serial No.	Area code
CLUTCH OUTER/CLUTCH CENTER and those related parts	0.8	1	22100-392-010	OUTER COMP., CLUTCH	1	1	
		2	22120-300-050	CENTER, CLUTCH	1	1	
CLUTCH LIFTER PLATE/CLUTCH SPRING and those related parts	0.6	3	22201-300-000	DISK, CLUTCH FRICTION <i>124</i>	6	6	
		4	22202-392-000	DISK B, CLUTCH FRICTION	1	1	
		5	22321-283-000	PLATE B, CLUTCH <i>96</i>	5	5	
		6	22322-371-020	PLATE COMP. B, CLUTCH	1	1	
		7	22350-300-030	PLATE, CLUTCH PRESSURE	1	1	
		8	22360-300-010	PLATE, CLUTCH LIFTER	1	1	
		9	22401-410-000	SPRING, CLUTCH	4	4	
		10	22846-300-010	PIECE, CLUTCH LIFTER	1	1	
		11	90231-200-010	NUT, LOCK, 16MM	1	1	
		12	90431-292-000	WASHER, LOCK, 16MM	1	1	
		13	90432-392-000	WASHER, SPLINE, 25MM	1	1	
		14	90481-292-000	WASHER, OIL FILTER ROTOR LOCK	1	1	
		15	90602-371-000	CIR CLIP, EXTERNAL, 40MM	1	1	
		16	95700-06022-00	BOLT, FLANGE, 6X22	4	4	
		17	96100-60030	BEARING, RADIAL BALL, 6003	1	1	

1978.09.10

# E-10

## Generator • Dynamo cover



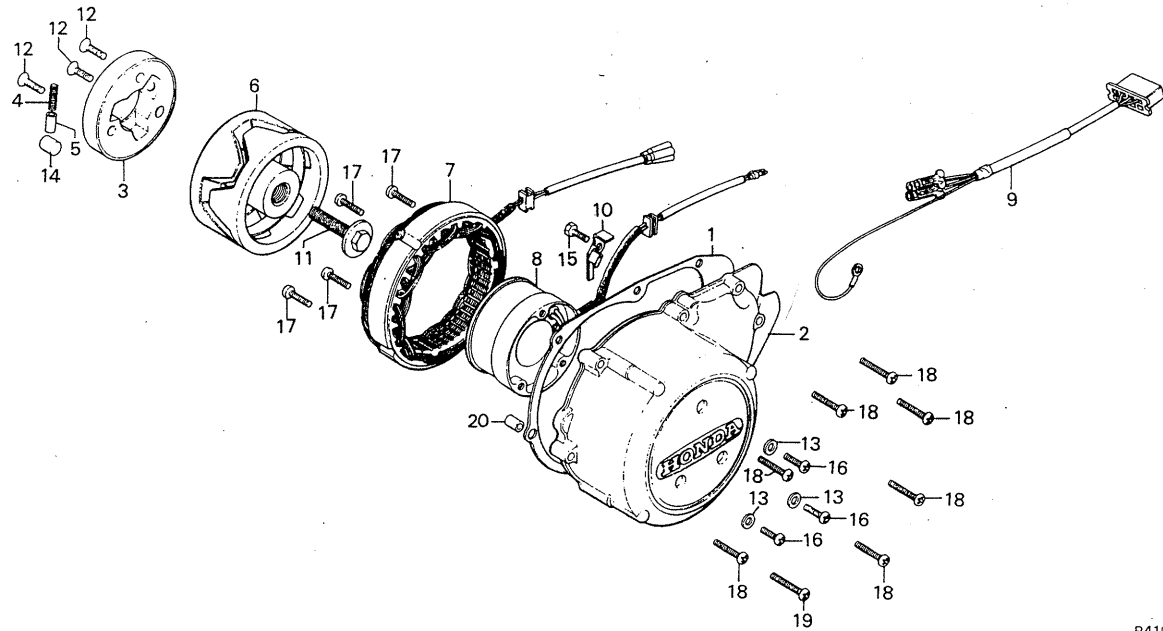
B410-37

Service item	F.R.T.	Ref. No.	Part No.	Description	Reqd. No. CB750 F2 F3	Serial No.	Area code
DYNAMO COVER/STATOR/FIELD COIL	0.6	1	11397-300-040	GASKET, DYNAMO COVER	1	1000030	E,ED,F,G
• ROTER/STARTING CLUTCH OUTER					1	2611642	A,CM,DK,DM,U
A.C. GENERATOR WIRE HARNESS	0.4		11397-393-000	GASKET, DYNAMO COVER	1	1000031	E,ED,F,G
• DYNAMO COVER GASKET					1	2611643	A,CM,DK,DM,U
		2	11631-410-010	COVER, DYNAMO	1		
		3	28120-300-000	OUTER, STARTING CLUTCH	1		
		4	28125-516-030	SPRING, STARTING CLUTCH ROLLER	3		
		5	28126-516-020	CAP, STARTING CLUTCH ROLLER	3		
				SPRING	3		
		6	31101-300-035	ROTOR COMP. (HITACHI)	1		
		7	31102-300-035	STATOR COMP. (HITACHI)	1		
			31102-300-045	STATOR COMP. (HITACHI)	1	1001007	E,ED,F,G
					1	2611867	A,CM,DK,DM,U
					1	2611868	E,ED,F,G
					1	2611868	A,CM,DK,DM,U
		8	31103-300-035	COIL COMP., FIELD (HITACHI)	1		
			31103-300-045	COIL COMP., FIELD (HITACHI)	1	1001007	E,ED,F,G
					1	2611867	A,CM,DK,DM,U
					1	2611868	E,ED,F,G
					1	2611868	A,CM,DK,DM,U
		9	31110-300-015	HARNESS, A.C. GENERATOR WIRE	1		
			31110-300-154	HARNESS, A.C. GENERATOR WIRE	1		
				(HITACHI)	1		
				(SUMITOMO)	1		
		10	32116-300-010	PLATE, A.C. GENERATOR CORD SET	1		
		11	90014-392-010	BOLT, ROTOR SET	1		
		12	90053-300-000	SCREW, FLAT, 8X22	3		

1578.09.10

# E-10

## Generator · Dynamo cover



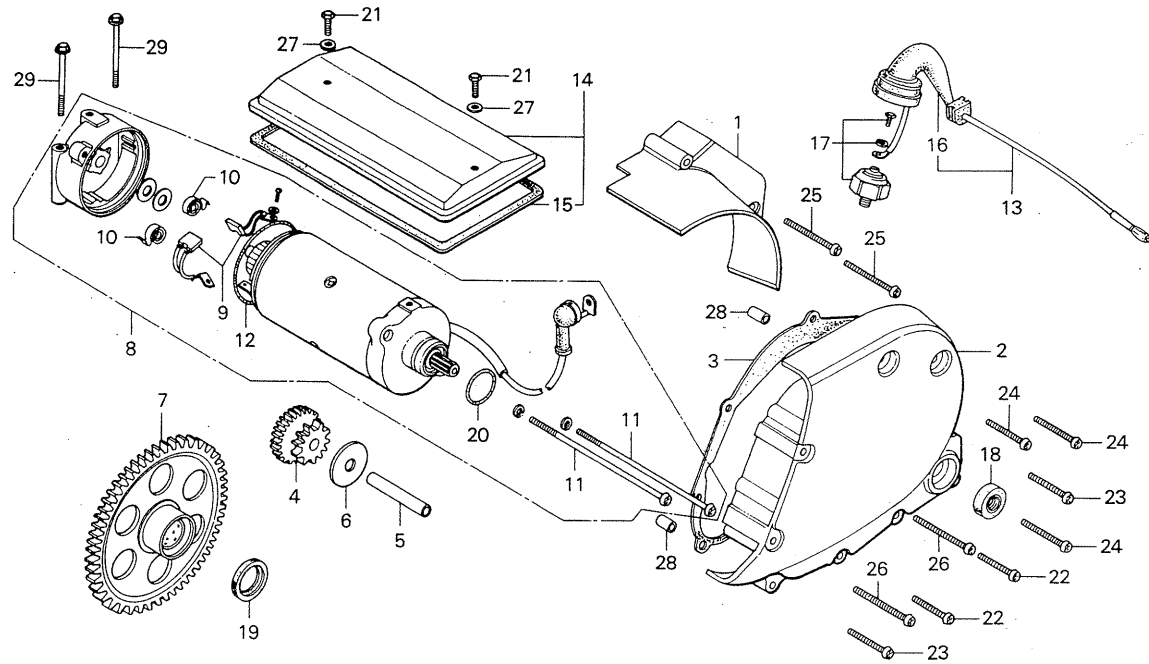
B410-37

Service item	F.R.T.	Ref. No.	Part No.	Description	Reqd. No.		Serial No.	Area code
					CB750	F2 F3		
		13	90425-300-000	WASHER, 11MM	3	3		
		14	91101-516-000	ROLLER, 15X13	3	3		
		15	92000-06016	BOLT, HEX., 6X16	1	1		
		16	93500-06020	SCREW, PAN, 6X20	3	3		
		17	93500-06028	SCREW, PAN, 6X28	4	4		
		18	93500-06032	SCREW, PAN, 6X32	7	7		
		19	93500-06035	SCREW, PAN, 6X35	1	1		
		20	94301-08140	PIN A, DOWEL, 8X14	1	1		

1978.09.10

# E-11

## Starting motor · Crankcase cover



B392-10

Service item	F.R.T.	Ref. No.	Part No.	Description	Reqd. No. CB750 F2 F3	Serial No.	Area code
CARBON BRUSH SET/BRUSH SPRING	1.1	1	11351-410-010	COVER, L. RR. CRANKCASE	1 1		
STARTING MOTOR ASSY.	0.9	2	11360-410-010	COVER, CRANKCASE	1 1		
STARTING CLUTCH GEAR	0.5	3	11395-300-040	GASKET, TRANSMISSION COVER	1 1		
STARTING MOTOR REDUCTION GEAR	0.4	4	28101-300-000	GEAR, STARTING MOTOR REDUCTION	1 1		
LEFT CRANKCASE COVER/ 14 x 28 x 7 OIL SEAL	0.3	5	28106-300-000	SHAFT, STARTER REDUCTION GEAR	1 1		
• OIL PRESSURE SWITCH		6	28109-300-000	PLATE, STARTING GEAR SETTING	1 1		
MISSION COVER GASKET	0.2	7	28110-300-000	GEAR COMP., STARTING CLUTCH	1 1		
• OIL PRESSURE SWITCH CORD ASSY.		8	31200-300-030	MOTOR ASSY., STARTING	1 1		
L. CRANKCASE REAR COVER	0.1	9	31201-292-158	BRUSH SET, CARBON	1 1		
• STARTING MOTOR COVER		10	31204-292-158	SPRING, CARBON BRUSH	2 2		
		11	31205-286-158	BOLT, STARTER MOTOR COVER SETTING (MITSUBA)	2 2		
		12	31206-286-158	O-RING	1 1		
		13	31270-300-005	CORD ASSY., OIL PRESSURE SWITCH (HITACHI)	1 1		
			31270-300-154	CORD ASSY., OIL PRESSURE SWITCH (SUMITOMO)	1 1		
		14	31280-300-000	COVER COMP., STARTING MOTOR	1 1		
		15	31282-300-020	PACKING, STARTING MOTOR COVER	1 1		
		16	31283-300-000	GROMMET, OIL PRESSURE SWITCH CORD	1 1		
		17	35500-333-014	SWITCH ASSY., OIL PRESSURE (ND)	1 1		
		18	91206-286-005	OIL SEAL, 14X28X7	1 1		
			91206-286-013	OIL SEAL, 14X28X7	1 1		
		19	91215-300-003	OIL SEAL, 25X33X4	1 1		
		20	91309-300-000	O-RING, 24.4X3.1	1 1		

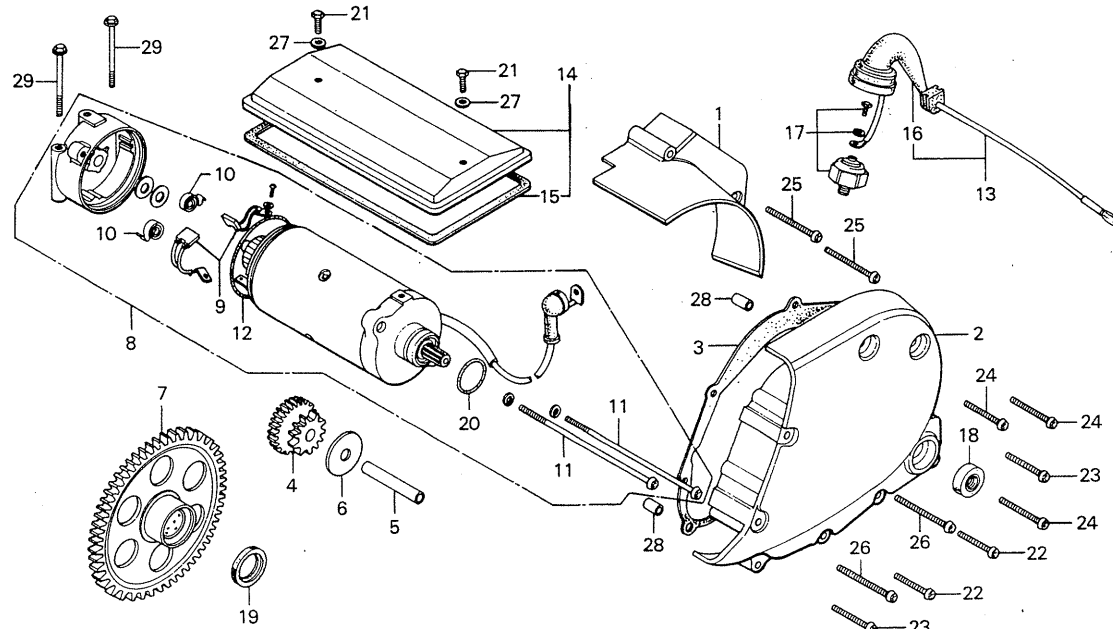
1978.09.10



# E-11

## Starting motor · Crankcase cover

Courtesy of  Honda4Fun  
www.hondafour.com www.honda4fun.com



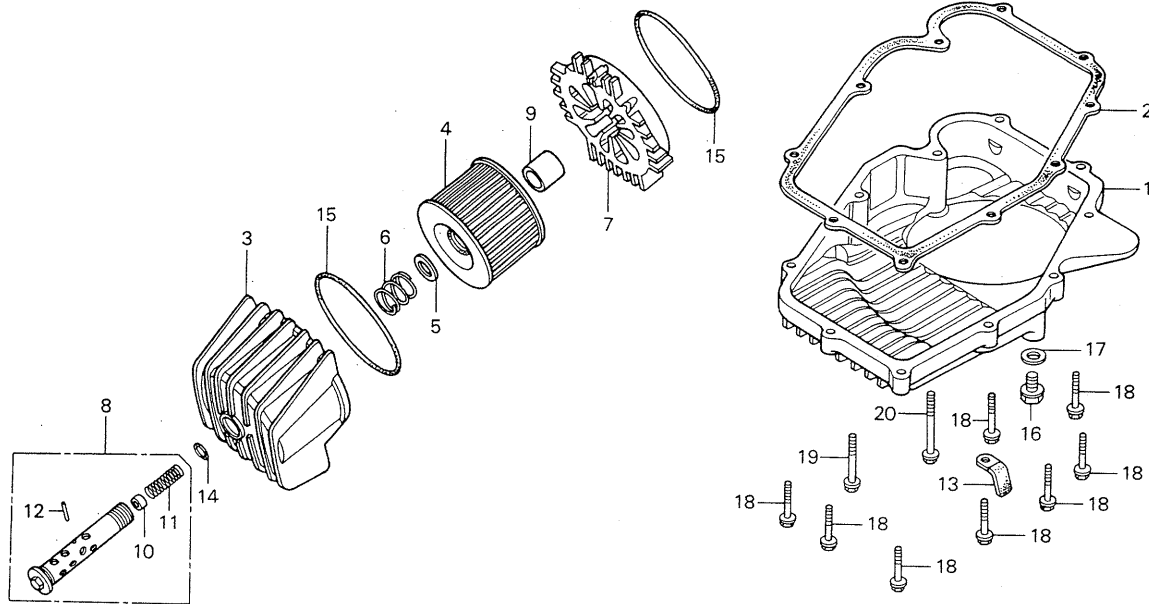
8392-10

Service item	F.R.T.	Ref. No.	Part No.	Description	Reqd. No. CB750 F2 F3	Serial No.	Area code
		21	92000-06012-02	BOLT, HEX., 6X12	2	2	
		22	93500-06032	SCREW, PAN, 6X32	2	2	
		23	93500-06035	SCREW, PAN, 6X35	2	2	
		24	93500-06040	SCREW, PAN, 6X40	3	3	
		25	93500-06050	SCREW, PAN, 6X50	2	2	
		26	93500-06055	SCREW, PAN, 6X55	4	4	
		27	94101-06200	WASHER, PLAIN, 6MM	2	2	
		28	94301-08140	PIN A, DOWEL, 8X14	2	2	
		29	95700-06055-00	BOLT, FLANGE, 6X55	2	2	

1978.09.10

# E-12

## Oil filter • Oil pan



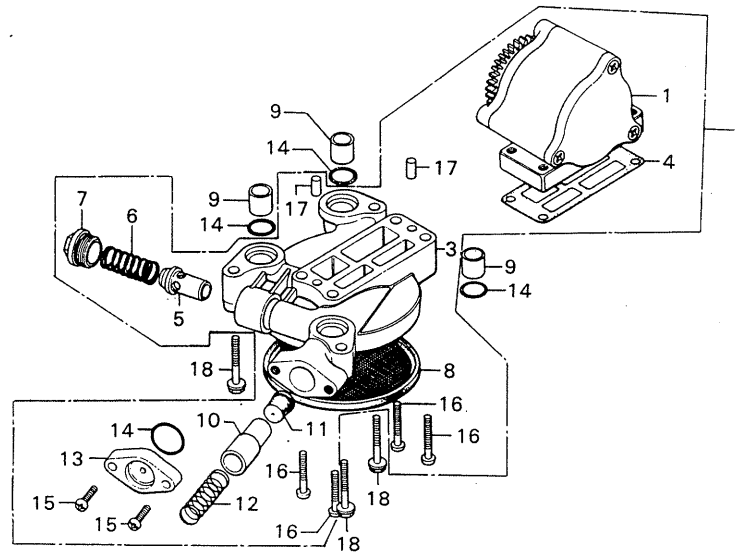
8410-3

Service item	F.R.T.	Ref. No.	Part No.	Description	Reqd. No. CB750 F2 F3	Serial No.	Area code
OIL PAN/OIL PAN GASKET	0.8	1	11210-410-000	PAN, OIL <i>1031</i>	1	1	
OIL FILTER ELEMENT and its related parts	0.2	2	11398-300-050	GASKET, OIL PAN	1	1	
		3	15411-410-000	CASE, OIL FILTER <i>497</i> ✓	1	1	
		4	15412-300-024	ELEMENT, OIL FILTER	1	1	
		5	15414-300-000	SEAT, OIL FILTER SPRING (TOKYO ROKI)	1	1	
		6	15415-300-000	SPRING, OIL FILTER ELEMENT SET	1	1	
		7	15416-410-000	BASE, OIL FILTER	1	1	
		8	15420-333-000	BOLT COMP., OIL FILTER CENTER	1	1	
		9	15423-333-000	COLLAR, OIL FILTER BOLT	1	1	
		10	15473-300-300	VALVE, CHECK	1	1	
		11	15474-300-310	SPRING, CHECK VALVE	1	1	
		12	15477-300-300	PIN, SPRING SET	1	1	
		13	32111-300-000	CLAMPER, CORD	1	1	
		14	91304-028-000	O-RING, 15X2.5	1	1	
		15	91316-300-005	O-RING, 89X4.5	2	2	
		16	92800-12000	BOLT, DRAIN PLUG, 12MM	1	1	
		17	94109-12000	WASHER, DRAIN PLUG, 12MM	1	1	
		18	95700-06028-00	BOLT, FLANGE, 6X28	8	8	
		19	95700-06040-00	BOLT, FLANGE, 6X40	1	1	
		20	95700-06050-00	BOLT, FLANGE, 6X50	1	1	

1978.09.10

# E-13

## Oil pump



B392-12

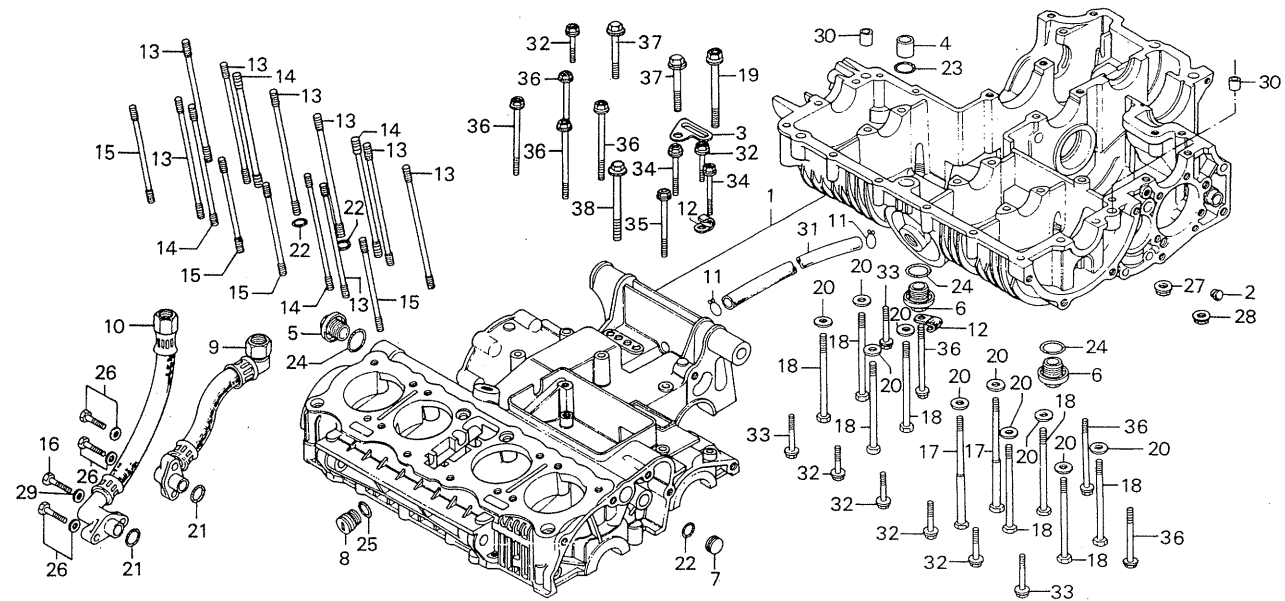
Service item	F.R.T.	Ref. No.	Part No.	Description	Reqd. No. CB750 F2 F3	Serial No.	Area code
OIL PUMP BASE	1.1	1	15010-300-000	BODY ASSY., OIL PUMP	1	1	
OIL PUMP BODY	1.0	2	15100-300-000	PUMP ASSY., OIL <i>2131</i>	1	1	
• RELIEF VALVE		3	15105-300-010	BASE COMP., OIL PUMP	1	1	
• OIL LEAK STOPPER VALVE		4	15135-300-010	GASKET, OIL PUMP	1	1	
OIL PUMP ASSY.	0.9	5	15140-300-010	VALVE, RELIEF	1	1	
		6	15145-300-000	SPRING, RELIEF VALVE	1	1	
		7	15147-300-000	CAP, RELIEF VALVE SPRING	1	1	
		8	15150-300-000	SCREEN, OIL STRAINER	1	1	
		9	15155-300-000	COLLAR, O-RING	3	3	
		10	15161-300-000	VALVE, OIL LEAK STOPPER	1	1	
		11	15166-300-000	SEAL, OIL LEAK STOPPER	1	1	
		12	15171-300-010	SPRING, OIL LEAK STOPPER	1	1	
		13	15176-300-000	CAP, OIL LEAK STOPPER	1	1	
		14	91302-028-000	O-RING, 15X2.5	4	4	
		15	93500-06020	SCREW, PAN, 6X20	2	2	
		16	93500-06032	SCREW, PAN, 6X32	4	4	
		17	94302-04080	PIN B, DOWEL, 4X8	2	2	
		18	95700-06035-00	BOLT, FLANGE, 6X35	3	3	

1978.09.10

# E-14

## Crankcase

Courtesy of  Honda4Fun  
www.honda4fun.com



B410-4

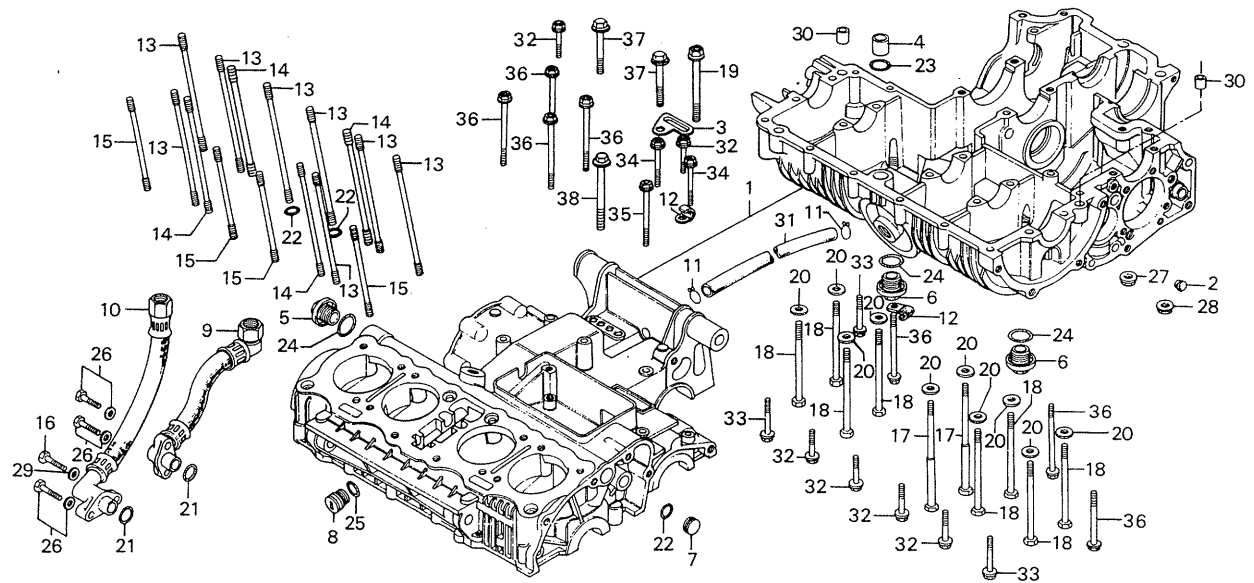
Service item	F.R.T.	Ref. No.	Part No.	Description	Reqd. No. CB750 F2 F3	Serial No.	Area code
CRANKCASE ASSY.	*9.0	1	<del>11000-410-000</del>	CRANKCASE ASSY. <i>16644</i>	1	1007326	E, ED, F, G
CYLINDER STUD BOLT	*5.2				1	2613859	A, CM, DK, DM, U
* Add 0.1					1	3113260	
OIL HOSE A.	0.5		11000-410-010	CRANKCASE ASSY. <i>17046</i>	1	1007327	E, ED, F, G
OIL HOSE B.	0.3				1	2613860	A, CM, DK, DM, U
					1	3113261	
		2	11209-300-000	PLUG, SEALING RUBBER, 8.5MM	1		
		3	11355-300-000	GUIDE, OVER FLOW	1		
		4	15326-300-000	COLLAR, OIL PATH, 18MM	1		
		5	15331-300-000	CAP, OIL PATH	1		
		6	15332-300-000	CAP B, OIL PATH	2		
		7	15336-300-010	PLUG, OIL PATH	1		
		8	15337-300-010	PLUG, OIL TUBE	1		
		9	15510-300-017	HOSE COMP. A, OIL	1		
		10	15520-392-020	HOSE COMP. B. OIL	1		
		11	15772-551-000	CLIP, TUBE	2		
		12	32111-323-000	CLAMPER, CORD	2		
		13	90033-300-030	BOLT A, CYLINDER STUD	8		
		14	90033-410-000	BOLT A, CYLINDER STUD	4		
		15	90034-300-030	BOLT B, CYLINDER STUD	4		
		16	90040-300-000	BOLT, SPECIAL, 6X25	1		
		17	90041-300-000	BOLT, HEX., 8X140	2		
		18	90042-300-000	BOLT, HEX., 8X120	8		
		19	90048-300-000	BOLT, HEX., 10X82	1		
		20	90485-035-000	WASHER, 14MM	10		
		21	91302-028-000	O-RING, 15X2.5	2		

1978.09.10



# E-14

## Crankcase



B410-4

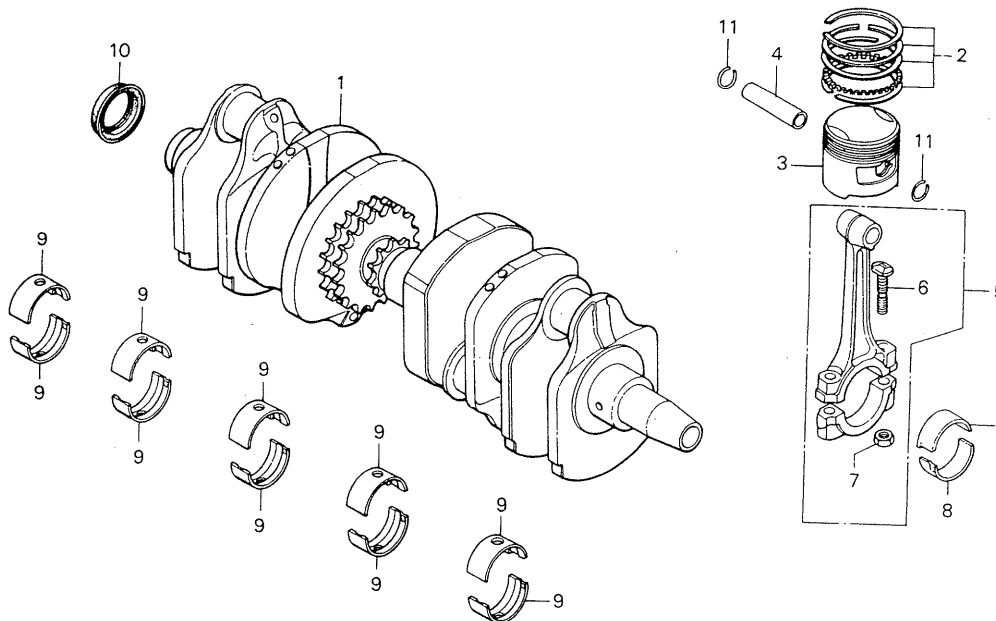
Service item	F.R.T.	Ref. No.	Part No.	Description	Reqd. No. CB750 F2 F3	Serial No.	Area code
		22	91309-035-000	O-RING, 11X2.5	3	3	
		23	91311-044-000	O-RING, 18X3	1	1	
		24	91315-044-000	O-RING, 19.4X2.8	3	3	
		25	91319-300-000	O-RING, 13X2.5	1	1	
		26	93481-06025-00	BOLT-WASHER, 6X25	3	3	
		27	94050-08000	NUT, FLANGE, 8MM	1	1	
		28	94050-10000	NUT, FLANGE, 10MM	1	1	
		29	94101-06000	WASHER, PLAIN, 6MM	1	1	
		30	94301-10160	PIN A, DOWEL, 10X16	2	2	
		31	95005-12150-20	TUBE, 12X150	1	1	
		32	95700-06040-00	BOLT, FLANGE, 6X40	6	6	
		33	95700-06050-00	BOLT, FLANGE, 6X50	3	3	
		34	95700-06055-00	BOLT, FLANGE, 6X55	2	2	
		35	95700-06080-00	BOLT, FLANGE, 6X80	1	1	
		36	95700-06100-00	BOLT, FLANGE, 6X100	7	7	
		37	95700-08055-00	BOLT, FLANGE, 8X55	2	2	
		38	95700-08080-00	BOLT, FLANGE, 8X80	1	1	

1978.09.10

CF  
CR  
CO  
PIS  
PIS

# E-15

## Crankshaft • Piston



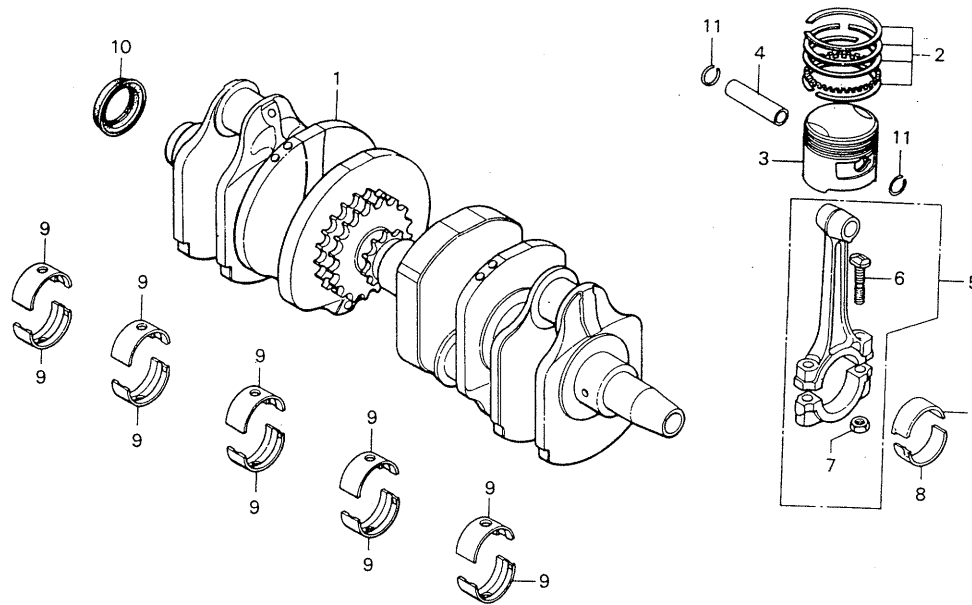
B405-11

Service item	F.R.T.	Ref. No.	Part No.	Description	Reqd. No. CB750 F2 F3	Serial No.	Area code
CRANKSHAFT ASSY.	*8.6	1	13000-300-050	CRANKSHAFT ASSY. <i>2597 11730</i>	4		
CRANKSHAFT BEARING	*8.0	2	<del>13011-392-003</del>	RING SET, PISTON (STD. NIPPON)	4		1004032 E, ED, F, G
* One or all					4		2612797 A, CM, DK, DM, U
• 30 x 42 x 8 OIL SEAL			13011-392-004	RING SET, PISTON (STD. RIKEN)	4	<i>273</i>	1004032 E, ED, F, G
CONNECTING ROD/CONNECTING ROD BEARING	*7.7		13011-392-005	RING SET, PISTON (STD. TEIKOKU)	4		2612797 A, CM, DK, DM, U
* Add 0.4					4		1004032 E, ED, F, G
PISTON/PISTON RING	*5.2		13021-392-000	RING SET, PISTON (0.25)	(4)		2612797 A, CM, DK, DM, U
* Add 0.1					(4)		1004032 E, ED, F, G
PISTON PIN	*5.1		13031-392-000	RING SET, PISTON (0.50)	(4)		2612797 A, CM, DK, DM, U
			13041-392-000	RING SET, PISTON (0.75)	(4)		1004032 E, ED, F, G
			13051-392-000	RING SET, PISTON (1.00)	(4)		2612797 A, CM, DK, DM, U
			13011-410-601	RING SET, PISTON (STD. NIPPON)	4	1004033	E, ED, F, G
					4	2612798	A, CM, DK, DM, U
			13021-410-601	RING SET, PISTON (0.25 NIPPON)	(4)	4	
					(4)	1004033	E, ED, F, G
					(4)	2612798	A, CM, DK, DM, U
			13031-410-601	RING SET, PISTON (0.50 NIPPON)	(4)	(4)	
					(4)	1004033	E, ED, F, G
					(4)	2612798	A, CM, DK, DM, U
			13041-410-601	RING SET, PISTON (0.75 NIPPON)	(4)	(4)	
					(4)	1004033	E, ED, F, G
					(4)	2612798	A, CM, DK, DM, U

1978.09.10

# E-15

## Crankshaft • Piston



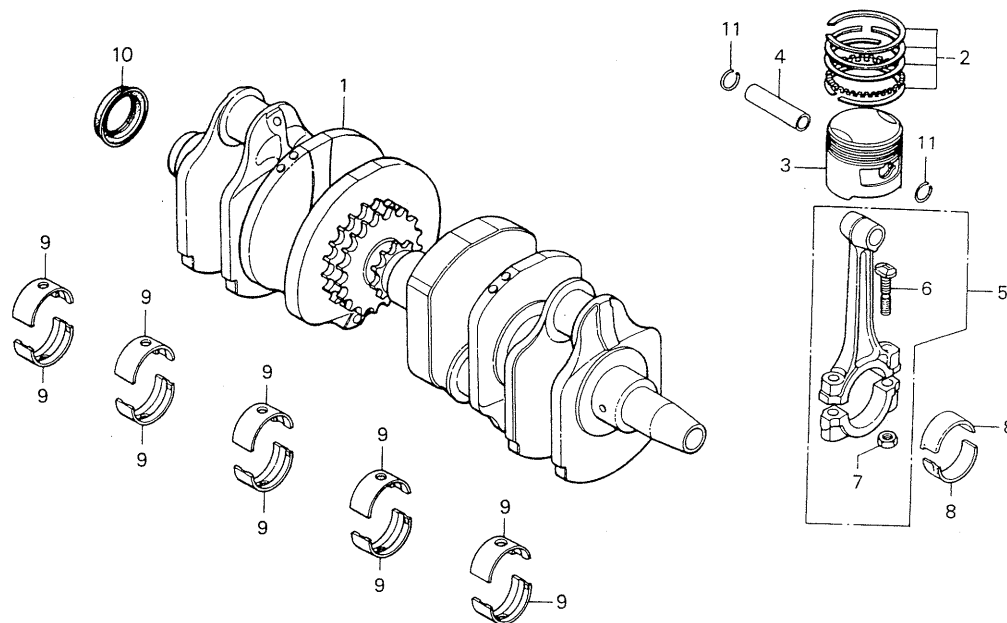
B405-11

Service item	F.R.T.	Ref. No.	Part No.	Description	Reqd. No. CB750 F2 F3	Serial No.	Area code
			13051-410-601	RING SET, PISTON (1.00 NIPPON)	(4)	1004033	E, ED, F, G
					(4)	2612798	A, CM, DK, DM, U
		3	<del>13101-410-010</del>	<del>PISTON (STD.)</del>	4		
			13102-410-000	PISTON (0.25)	(4)	2609695	A, CM, DK, DM, U
			13103-410-000	PISTON (0.50)	(4)	2609695	A, CM, DK, DM, U
			13104-410-000	PISTON (0.75)	(4)	2609695	A, CM, DK, DM, U
			13105-410-000	PISTON (1.00)	(4)	2609695	A, CM, DK, DM, U
			13101-410-003	PISTON (STD.)	4	2609696	A, CM, DK, DM, U
					4		E, ED, F, G
			13102-410-003	PISTON (0.25)	(4)	2609696	A, CM, DK, DM, U
					(4)		E, ED, F, G
			13103-410-003	PISTON (0.50)	(4)	2609696	A, CM, DK, DM, U
					(4)		E, ED, F, G
			13104-410-003	PISTON (0.75)	(4)	2609696	A, CM, DK, DM, U
					(4)		E, ED, F, G
			13105-410-003	PISTON (1.00)	(4)	2609696	A, CM, DK, DM, U
					(4)		E, ED, F, G
		4	13111-300-000	PIN, PISTON	4		
		5	13202-300-000	ROD COMP. B, CONNECTING	4	2604928	A, CM, DK, DM, U
			13204-300-000	ROD COMP. D, CONNECTING	4	2604928	A, CM, DK, DM, U
			13206-300-000	ROD COMP. F, CONNECTING	4	2604928	A, CM, DK, DM, U
			13208-300-000	ROD COMP. H, CONNECTING	4	2604928	A, CM, DK, DM, U

1978.09.10

# E-15

## Crankshaft • Piston



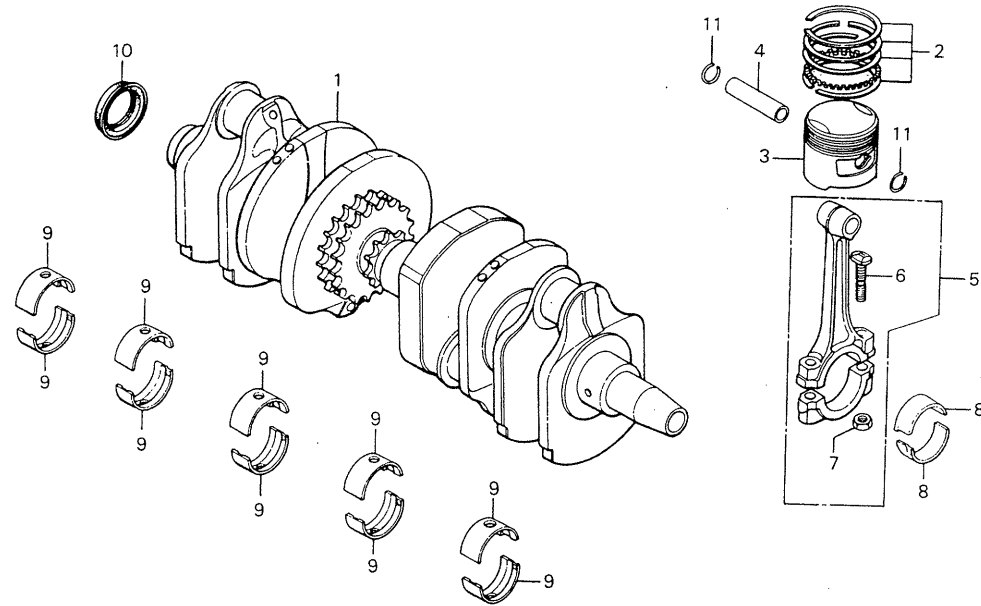
B405-11

Service item	F.R.T.	Ref. No.	Part No.	Description	Reqd. No. CB750 F2 F3	Serial No.	Area code
			13210-300-000	ROD COMP. K, CONNECTING	4	2604928	A,CM,DK,DM,U
			13208-300-000	ROD COMP. K, CONNECTING	4		
			13202-410-000	ROD COMP. B, CONNECTING	4	2604929	A,CM,DK,DM,U E,ED,F,G
			13204-410-000	ROD COMP. D, CONNECTING	4	2604929	A,CM,DK,DM,U E,ED,F,G
			13206-410-000	ROD COMP. F, CONNECTING	4	2604929	A,CM,DK,DM,U E,ED,F,G
			13208-410-000	ROD COMP. H, CONNECTING	4	2604929	A,CM,DK,DM,U E,ED,F,G
			13210-410-000	ROD COMP. K, CONNECTING	4	2604929	A,CM,DK,DM,U E,ED,F,G
		6	13213-333-003	BOLT, CONNECTING ROD (TOKAI)	8	2604928	A,CM,DK,DM,U
			13213-410-003	BOLT, CONNECTING ROD	8	2604929	A,CM,DK,DM,U E,ED,F,G
		7	13214-300-000	NUT, CONNECTING ROD	8	2604928	A,CM,DK,DM,U
			13214-410-003	NUT, CONNECTING ROD	8	2604929	A,CM,DK,DM,U E,ED,F,G
		8	13215-410-003	BEARING A, CONNECTING ROD (BLACK DAIDO)	8	2604928	A,CM,DK,DM,U

1978.09.10

# E-15

## Crankshaft · Piston



B405-11

Service item	F.R.T.	Ref. No.	Part No.	Description	Reqd. No. CB750 F2 F3	Serial No.	Area code
			13215-410-005	BEARING A, CONNECTING ROD (BLACK TAIHO)	8	2604928	A,CM,DK,DM,U
			13215-410-015				
			13216-410-003	BEARING B, CONNECTING ROD (BROWN DAIDO)	8	2604928	A,CM,DK,DM,U
			13216-410-005	BEARING B, CONNECTING ROD (BROWN TAIHO)	8	2604928	A,CM,DK,DM,U
			13216-410-015				
			13217-410-003	BEARING C, CONNECTING ROD (GREEN DAIDO)	8	2604928	A,CM,DK,DM,U
			13217-410-005	BEARING C, CONNECTING ROD (GREEN TAIHO)	8	2604928	A,CM,DK,DM,U
			13217-410-015				
			13218-410-003	BEARING D, CONNECTING ROD (YELLOW DAIDO)	8	2604928	A,CM,DK,DM,U
			13218-410-005	BEARING D, CONNECTING ROD (YELLOW TAIHO)	8	2604928	A,CM,DK,DM,U
			13218-410-015				
			13215-410-013	BEARING A, CONNECTING ROD (BLACK DAIDO)	8	2604929	A,CM,DK,DM,U
					8		E,ED,F,G
			13215-410-015	BEARING A, CONNECTING ROD (BLACK TAIHO)	8	2604929	A,CM,DK,DM,U
					8		E,ED,F,G
			13216-410-013	BEARING B, CONNECTING ROD (BROWN DAIDO)	8	2604929	A,CM,DK,DM,U
					8		E,ED,F,G
					8		

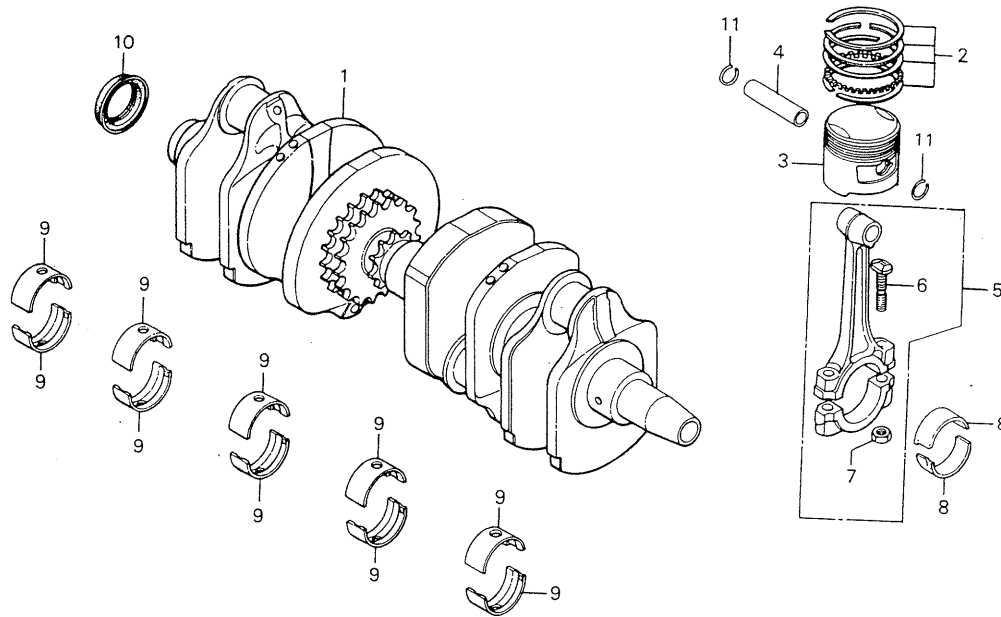
1978.09.10



# E-15

## Crankshaft • Piston

Courtesy of  Honda4Fun  
www.hondafour.com www.honda4fun.com



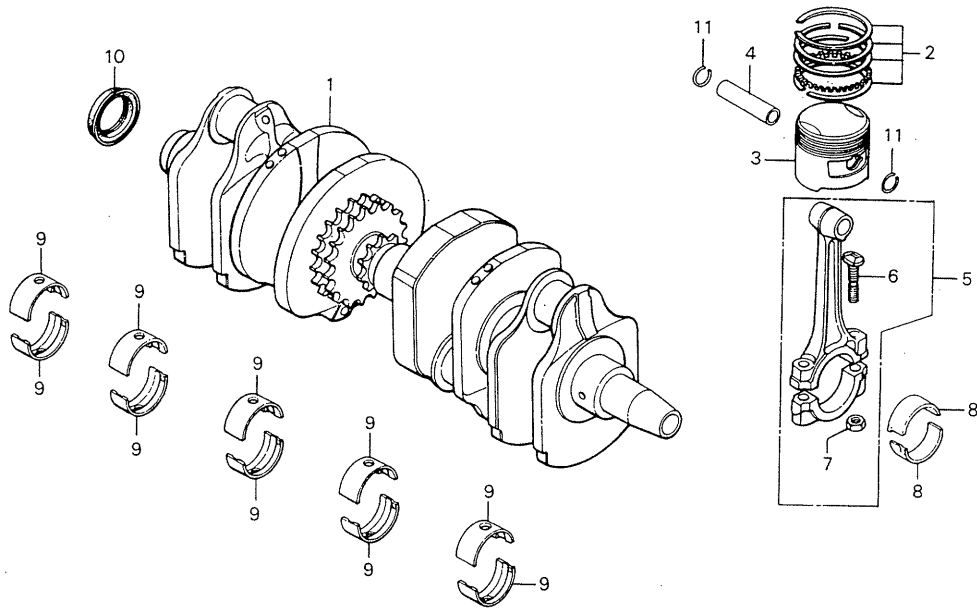
B405-11

Service item	F.R.T.	Ref. No.	Part No.	Description	Reqd. No. CB750 F2 F3	Serial No.	Area code
			13216-410-015	BEARING B, CONNECTING ROD (BROWN TAIHO)	8	2604929	A,CM,DK,DM,U
					8		E,ED,F,G
			13217-410-013	BEARING C, CONNECTING ROD (GREEN DAIDO)	8	2604929	A,CM,DK,DM,U
					8		E,ED,F,G
			13217-410-015	BEARING C, CONNECTING ROD (GREEN TAIHO)	8	2604929	A,CM,DK,DM,U
					8		E,ED,F,G
			13218-410-013	BEARING D, CONNECTING ROD (YELLOW DAIDO)	8	2604929	A,CM,DK,DM,U
					8		E,ED,F,G
			13218-410-015	BEARING D, CONNECTING ROD (YELLOW TAIHO)	8	2604929	A,CM,DK,DM,U
					8		E,ED,F,G
			9 13315-300-013	BEARING A, CRANKSHAFT (BLACK) (DAIDO)	10 10		
			<del>13316-300-013</del>	BEARING B, CRANKSHAFT (BROWN) (DAIDO)	10 10		
			<del>13317-300-013</del>	BEARING C, CRANKSHAFT (GREEN) (DAIDO)	10 10		
			<del>13318-300-013</del>	BEARING D, CRANKSHAFT (YELLOW) (DAIDO)	10 10		
			10 91201-300-003	OIL SEAL, 30X42X8	1 1		

1578.09.10

# E-15

## Crankshaft · Piston



B405-11

Service item	F.R.T.	Ref. No.	Part No.	Description	Reqd. No. CB750 F2 F3	Serial No.	Area code
--------------	--------	----------	----------	-------------	-----------------------------	------------	-----------

11 94601-15000 CLIP, PISTON PIN, 15MM 8 8

**Selection table of connecting rod bearing**  
(Oil clearance 20~46μ)

Crank pin allowance 36φ		Connecting rod allowance 39φ		
		3	4	5
0		~ -0.005	-0.005 ~ -0.010	-0.010 ~ -0.015
3	+0.024 +0.016	B (BROWN)	B (BROWN)	A (BLACK)
2	+0.016 +0.008	C (GREEN)	C (GREEN)	B (BROWN)
1	+0.008 0	D (YELLOW)	D (YELLOW)	C (GREEN)

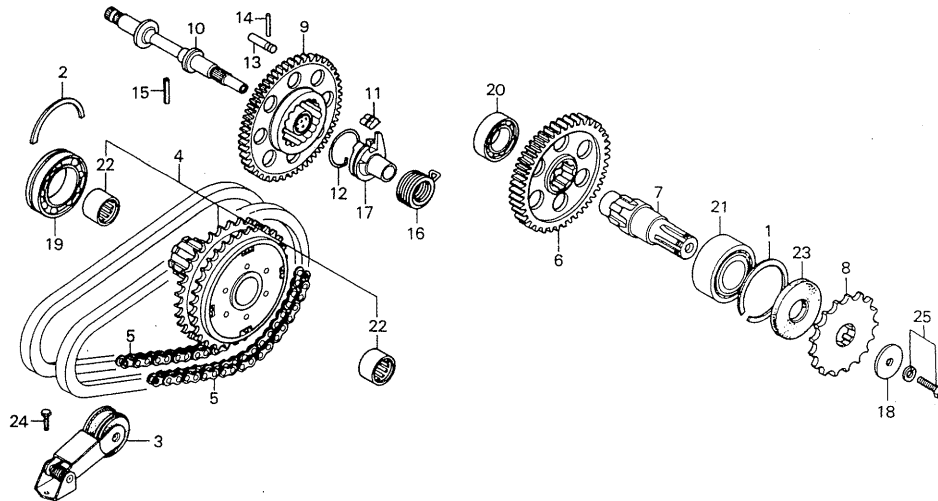
**Selection table of crankshaft bearing**  
(Oil clearance 20~46μ)

Crankshaft Journal allowance 36φ		Crankcase allowance 39φ		
		A	B	C
0		~ -0.005	-0.005 ~ -0.010	-0.010 ~ -0.015
C	+0.024 +0.016	B (BROWN)	B (BROWN)	A (BLACK)
B	+0.016 +0.008	C (GREEN)	C (GREEN)	B (BROWN)
A	+0.008 0	D (YELLOW)	D (YELLOW)	C (GREEN)

P  
P  
F  
K  
C

# E-16

## Primary chain • Kick starter • Final shaft



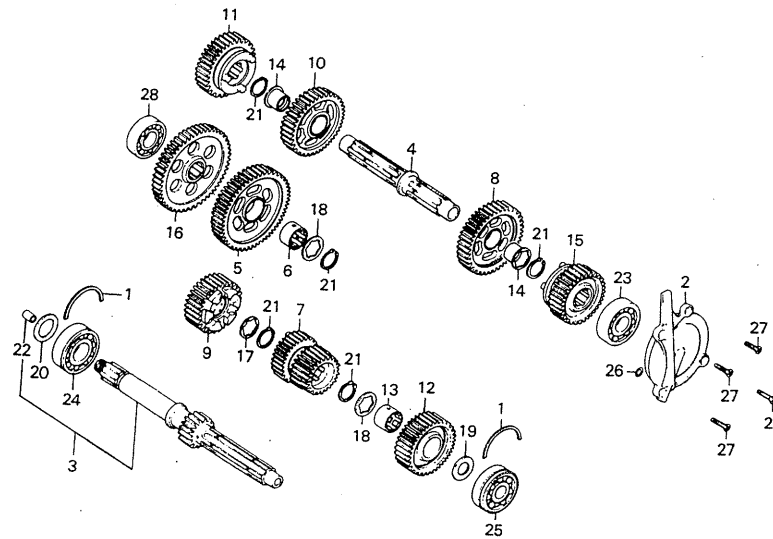
B405-12

Service item	F.R.T.	Ref. No.	Part No.	Description	Reqd. No. CB750 F2 F3	Serial No.	Area code
PRIMARY CHAIN	∗7.7	1	13491-300-000	RING, BEARING SET, 66.5MM	1	1	
PRIMARY DRIVEN SPROCKET and its related parts	∗5.9	2	13496-300-000	RING B, BALL BEARING SET	1	1	
		3	13620-300-010	TENSIONER COMP., PRIMARY CHAIN	1	420 538	
FINAL DRIVEN SHAFT and its related parts	∗5.7	4	23110-392-000	SPROCKET COMP., PRIMARY DRIVEN	1	1	
KICK STARTER SPINDLE and its related parts • PRIMARY CHAIN TENSIONER DRIVE SPROCKET	∗5.6 0.2	5	23131-300-015	CHAIN, PRIMARY (68L TAKASAGO)	2	420 514	
		6	23511-392-000	GEAR, FINAL DRIVEN (50T)	1	1	
		7	23521-405-000	SHAFT, FINAL DRIVEN	1	1	
		8	23801-405-010	SPROCKET, DRIVE (15T)	1	1	E,ED,F,G
			23801-410-000	SPROCKET, DRIVE (14T)	1	1	A,CM,DK,DM,U
		9	28210-300-000	GEAR, KICK STARTER	1	1	
		10	28250-300-020	SPINDLE, KICK STARTER	1	1	
		11	28252-300-020	PAWL, KICK STARTER	1	1	
		12	28253-300-000	SPRING, KICK STARTER RATCHET	1	1	
		13	28254-300-000	PIN, KICK STOPPER	1	1	
		14	28255-300-000	PIN, 4X37	1	1	
		15	28256-300-000	PIN, 6X35	1	1	
		16	28261-300-010	SPRING, KICK STARTER RETURN	1	1	
		17	28271-393-000	FLANGE, KICK STARTER	1	1	
		18	90401-405-000	WASHER, 8MM	1	1	
		19	91004-300-000	BEARING, SPECIAL BALL, 6008	1	1	
		20	91006-300-008	BEARING, SPECIAL BALL, 6205	1	1	
		21	91008-300-008	BEARING, BALL, 5206	1	1	
		22	91010-300-008	BEARING, NEEDLE, 25X32X20	2	2	
		23	91205-405-005	OIL SEAL, 29.8X62X7	1	1	
		24	92000-06016	BOLT, HEX., 6X16	1	1	
		25	93482-08020-00	BOLT-WASHER, 8X20	1	1	

1978.09.10

# E-17

## Transmission



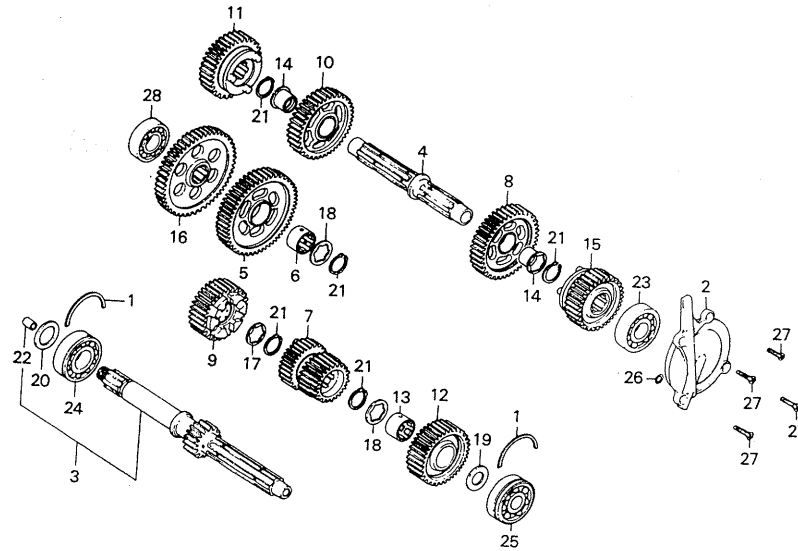
B410-5

Service item	F.R.T.	Ref. No.	Part No.	Description	Reqd. No. CB750 F2 F3	Serial No.	Area code
TRANSMISSION MAINSHAFT and its related parts	*5.8	1	13495-300-000	RING A, BALL BEARING SET	2 2		
		2	23150-300-010	HOLDER COMP., COUNTERSHAFT	1 1		
• TRANSMISSION COUNTERSHAFT and its related parts		3	23210-392-000	MAINSHAFT COMP., TRANSMISSION (18T)	1 1		
* One motorcycle *6.1 at transmission		4	23220-371-000	COUNTERSHAFT, TRANSMISSION	1 1		
COUNTER SHAFT BEARING HOLDER	0.7	5	23421-300-050	GEAR, COUNTERSHAFT LOW (45T)	1 1		
		6	23425-392-000	BUSH, SPLINE, 29MM	1 1		
		7	23431-392-000	GEAR, MAINSHAFT SECOND THIRD (24T 27T)	1 1		
		8	23441-410-000	GEAR, COUNTERSHAFT SECOND (41T)	1 1		
		9	23450-392-000	GEAR COMP., MAINSHAFT FOURTH (30T)	1 1		
		10	23461-410-000	GEAR, COUNTERSHAFT THIRD (36T)	1 1		
		11	23471-300-010	GEAR, COUNTERSHAFT FOURTH (34T)	1 1		
		12	23481-300-020	GEAR, MAINSHAFT TOP (33T)	1 1		
		13	23485-392-000	BUSH, SPLINE 28MM	1 1		
		14	23485-410-010	BUSH, 28MM	2 2		
			23485-410-003	BUSH, 28MM	2 2	1005462	E, ED, F, G
					2 2	2613508	A, CM, DK, DM, U
					2 2	3110309	
					2 2	1005463	E, ED, F, G
					2 2	2613509	A, CM, DK, DM, U
					2 2	3110310	
		15	23491-392-000	GEAR, COUNTERSHAFT TOP (32T)	1 1		
		16	23501-392-000	GEAR, FINAL DRIVE (43T)	1 1		

1978.09.10

# E-17

## Transmission



B410-5

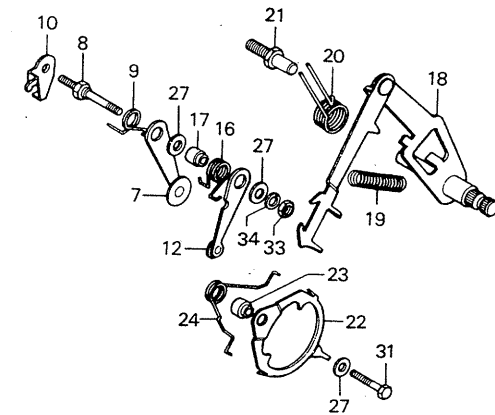
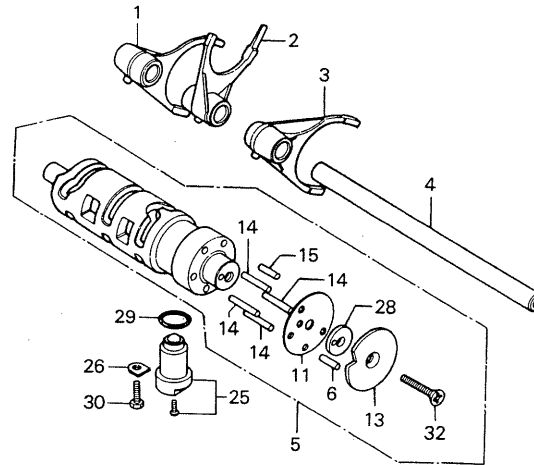
Service item	F.R.T.	Ref. No.	Part No.	Description	Reqd. No. CB750 F2 F3	Serial No.	Area code
		17	90451-371-000	WASHER, THRUST, 25X31	1 1		
		18	90452-371-000	WASHER, THRUST, 25X34	2 2		
		19	90458-292-000	WASHER, THRUST, 20MM	1 1		
		20	90458-506-810	WASHER A, THRUST, 25MM	1 1		
		21	90601-300-000	CIR CLIP, 25MM	5 5		
		22	90809-300-300	PLUG, SPECIAL, 10X10	1 1		
		23	91001-035-000	BEARING, RADIAL BALL, 6304	1 1		
		24	91002-300-004	BEARING, SPECIAL BALL, 6205	1 1		
			91002-300-008	BEARING, SPECIAL BALL, 6205	1 1		
		25	91003-235-000	BEARING, BALL, HC 6305	1 1		
		26	91301-283-005	O-RING, 5X2.4	1 1		
		27	93600-06020	SCREW, FLAT, 6X20	4 4		
		28	96100-62040	BEARING, RADIAL BALL, 6204	1 1		

1978.09.10



# E-18

## Gearshift drum · Spindle



B405-14

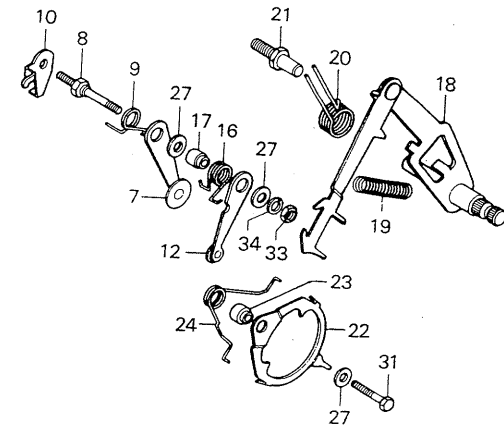
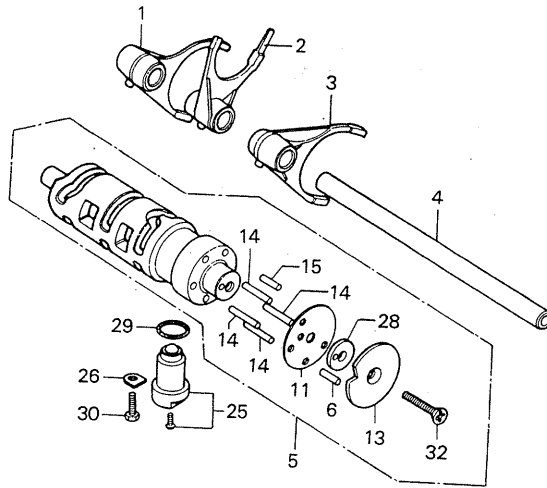
Service item	F.R.T.	Ref. No.	Part No.	Description	Reqd. No. CB750 F2 F3	Serial No.	Area code
GEAR SHIFT FORK/GEAR SHIFT DRUM and those related parts	*5.8	1	24211-300-020	FORK, R. GEARSHIFT	1	1	
		2	24212-300-030	FORK, CENTER GEARSHIFT	1	1	
SHIFT DRUM STOPPER/NEUTRAL STOPPER ARM/GEAR SHIFT SPINDLE and those related parts	0.3	3	24213-300-020	FORK, L. GEARSHIFT	1	1	
		4	24261-300-030	SHAFT, GEARSHIFT FORK	1	1	
		5	24300-392-000	DRUM ASSY., GEARSHIFT	1	1	
• NEUTRAL SWITCH		6	24421-200-000	PIN, GEARSHIFT DRUM	1	1	
		7	24430-392-000	STOPPER, SHIFT DRUM	1	1	
		8	24434-300-000	SHAFT, SHIFT DRUM STOPPER	1	1	
		9	24435-300-030	SPRING, SHIFT DRUM STOPPER	1	1	
		10	24436-392-000	PLATE, SHIFT FORK SHAFT STOPPER	1	1	
		11	24438-392-000	PLATE, SPACER	1	1	
		12	24440-392-000	ARM COMP., NEUTRAL STOPPER	1	1	
		13	24441-392-000	PLATE, NEUTRAL STOPPER	1	1	
		14	24443-300-000	ROLLER, 4X23.8	4	4	
		15	24444-300-000	ROLLER, 4X20.6	1	1	
		16	24445-300-020	SPRING, NEUTRAL STOPPER	1	1	
		17	24447-300-000	PIVOT, NEUTRAL STOPPER	1	1	
		18	24610-300-010	SPINDLE COMP., GEAR SHIFT	1	1	
		19	24641-300-000	SPRING, GEARSHIFT ARM	1	1	
		20	24651-300-020	SPRING, GEARSHIFT RETURN	1	1	
		21	24652-300-000	PIN, SHIFT RETURN SPRING	1	1	
			24652-035-000	PIN, SHIFT RETURN SPRING	1	1	
		22	24661-300-000	STOPPER, GEARSHIFT POSITIVE	1	1	
		23	24663-300-000	COLLAR, STOPPER ARM	1	1	

1978.09.10

# E-18

## Gearshift drum • Spindle

Courtesy of  Honda4Fun  
www.honda4fun.com www.honda4fun.com



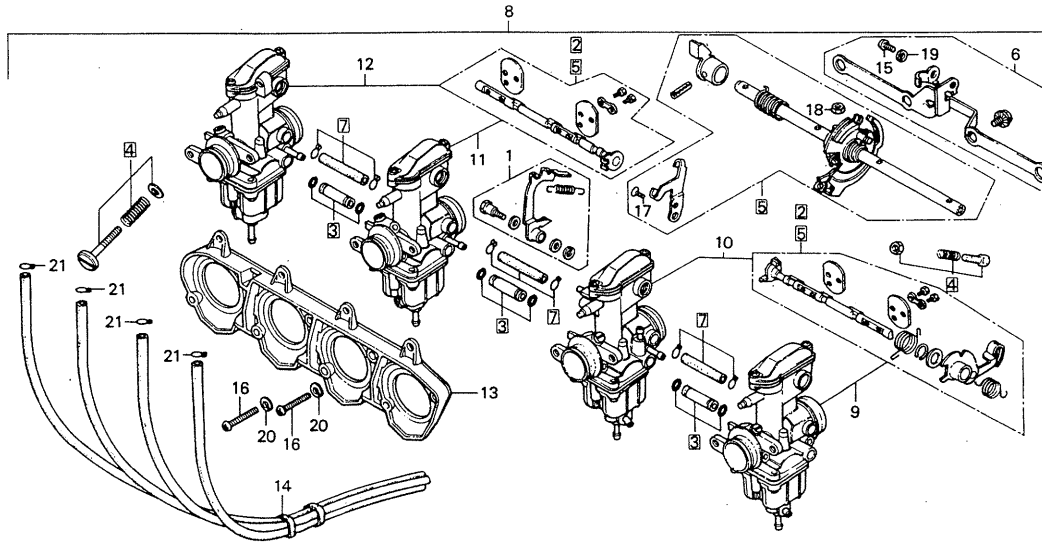
B405-14

Service item	F.R.T.	Ref. No.	Part No.	Description	Reqd. No.		Serial No.	Area code
					CB750	F2 F3		
		24	24666-300-000	SPRING, POSITIVE STOPPER	1	1		
		25	35752-300-010	SWITCH ASSY., NEUTRAL	1	1		
		26	35754-300-020	STOPPER, NEUTRAL SWITCH	1	1		
		27	90417-028-000	WASHER, SHIFT DRUM SIDE	3	3		
		28	90436-392-000	WASHER, 20MM	1	1		
		29	91311-044-000	O-RING, 18X3	1	1		
		30	92000-06016	BOLT, HEX., 6X16	1	1		
		31	92000-06025	BOLT, HEX., 6X25	1	1		
		32	93600-06028	SCREW, FLAT, 6X28	1	1		
		33	94001-06000	NUT, HEX., 6MM	1	1		
		34	94111-06000	WASHER, SPRING, 6MM	1	1		

1978.09.10

# E-19

## Carburetor (Assy. · Link) (CB750F2)



B410-6

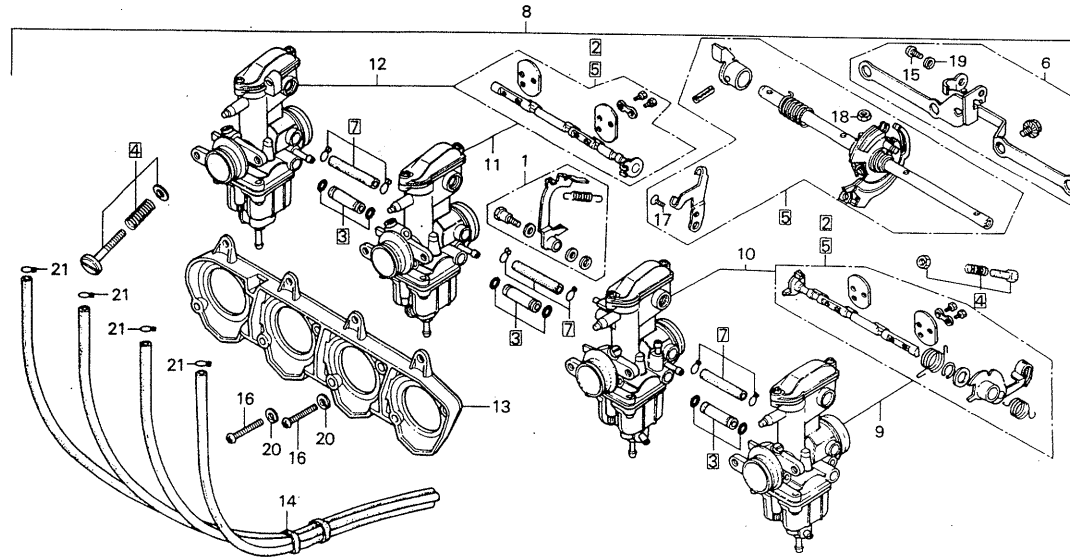
Service item	F.R.T.	Ref. No.	Part No.	Description	Reqd. No. CB750 F2 F3	Serial No.	Area code
CARBURETOR ASSY.	0.8	1	16017-410-004	LINK SET, PUMP	1		
CARBURETOR ASSY. No. 1 and its related parts * Add 0.2	1.2	2	16025-410-305	LINK SET, CHOKE	1		PD418 [A]
			16025-410-315	LINK SET, CHOKE	1	PD418 [B]	PD418 [A]
THROTTLE LINK SET/CHOKE LINK SET	1.8	3	16026-393-004	JOINT SET, FUEL	1		
PUMP LINK SET	1.4	4	16028-393-014	SCREW SET B	1		
STAY PLATE	1.0	5	16032-410-305	LINK SET, THROTTLE	1		PD418 [A]
REAR STAY PLATE SET	0.9		16032-405-405	LINK SET, THROTTLE	1	PD418 [B]	
THROTTLE RETURN SPRING	0.8	6	16035-393-004	PLATE SET, RR. STAY	1		
SCREW SET B.	0.2	7	16048-393-004	TUBE SET, PUMP	1		
• OVER FLOW TUBE		8	<del>16100-410-014</del>	CARBURETOR ASSY. 15914	1		1000369 E,ED,F,G 2610037 A,CM,DK,DM,U
			<del>16100-410-024</del>	CARBURETOR ASSY.	1	1000370 2610038	E,ED,F,G A,CM,DK,DM,U
			16100-410-034	CARBURETOR ASSY.	1		
		9	16101-410-305	CARBURETOR ASSY. 1	1		PD418 [A]
			16101-410-315	CARBURETOR ASSY. 1	1	PD418 [B]	PD418 [B]
			16101-410-325	CARBURETOR ASSY. 1	1	PD428 [C]	A,DK,DM,E,ED,F,G,U
		10	16102-410-305	CARBURETOR ASSY. 2	1		PD418 [A]
			16102-410-315	CARBURETOR ASSY. 2	1	PD418 [B]	PD418 [B]
			16102-410-325	CARBURETOR ASSY. 2	1	PD418 [C]	A,DK,DM,E,ED,F,G,U
		11	16103-410-305	CARBURETOR ASSY. 3	1		PD418 [A]
			16103-410-315	CARBURETOR ASSY. 3	1	PD418 [B]	PD418 [B]
			16103-410-325	CARBURETOR ASSY. 3	1	PD418 [C]	A,DK,DM,E,ED,F,G,U
		12	16104-410-305	CARBURETOR ASSY. 4	1		PD418 [A]
			16104-410-315	CARBURETOR ASSY. 4	1	PD418 [B]	PD418 [B]
			16104-410-325	CARBURETOR ASSY. 4	1	PD418 [C]	A,DK,DM,E,ED,F,G,U
		13	16119-393-004	PLATE, STAY	1		
		14	16290-405-000	TUBE ASSY., OVER FLOW	1		

1978.09.10

# E-19

## Carburetor (Assy. · Link) (CB750F2)

Courtesy of  Honda4Fun  
www.hondafour.com www.honda4fun.com



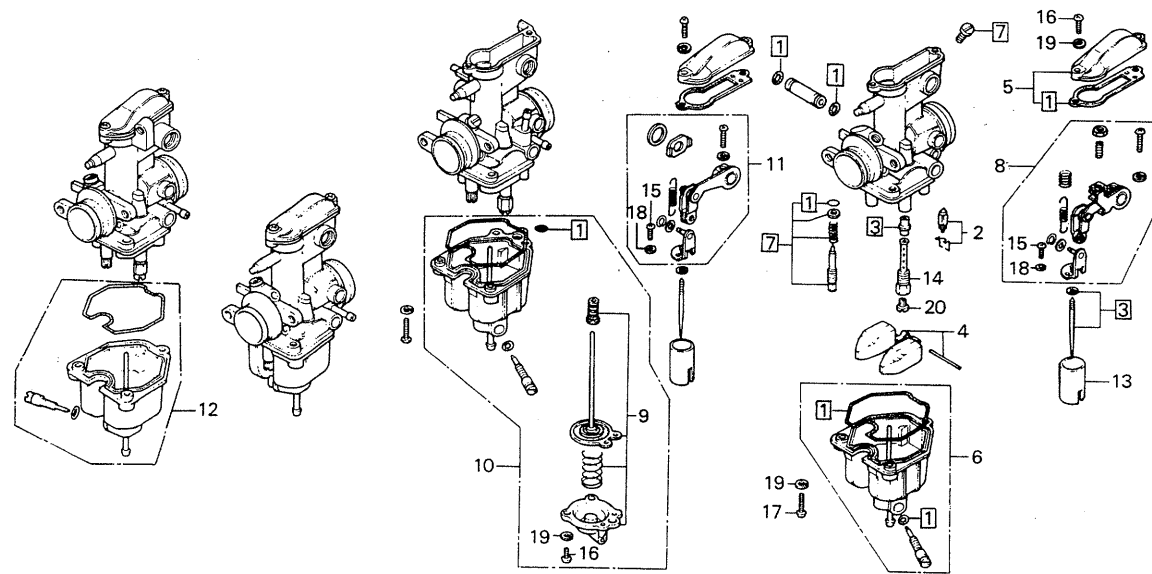
B410-6

Service item	F.R.T.	Ref. No.	Part No.	Description	Reqd. No. CB750 F2 F3	Serial No.	Area code
		15	93500-04008-0H	SCREW, PAN, 4X8	1		
		16	93500-06020-0H	SCREW, PAN, 6X20	8		
		17	93600-05010-0H	SCREW, FLAT, 5X10	1		
		18	94001-06080	NUT, HEX., 6MM	1		
		19	94111-04800	WASHER, SPRING, 4MM	1		
		20	94111-06800	WASHER, SPRING, 6MM	8		
		21	95002-02070	CLIP B7, TUBE	4		

1978.09.10

# E-19-1

## Carburetor (Component parts) (CB750F2)



B410-7

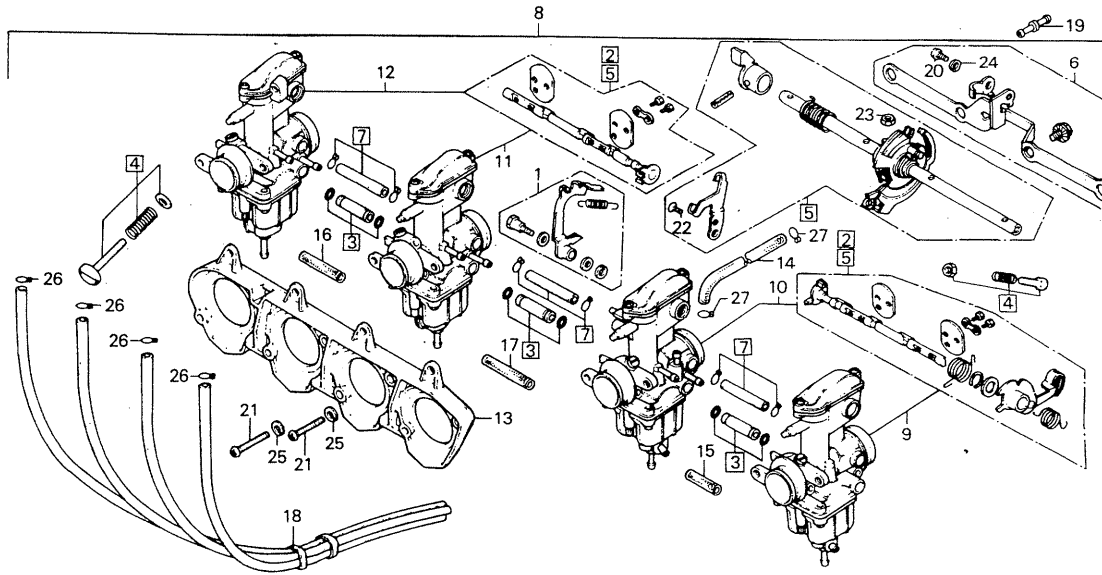
Service item	F.R.T.	Ref. No.	Part No.	Description	Reqd. No. CB750 F2 F3	Serial No.	Area code
PACKING SET	1.8	1	16010-405-004	PACKING SET	4		
* Add 0.6		2	16011-393-004	VALVE SET, FLOAT	4		
JET NEEDLE SET	1.6		16011-382-004	VALVE SET, FLOAT	4	PD41B C	PD41B B
* Add 0.4		3	16012-410-004	NEEDLE SET, JET	4		
THROTTLE VALVE	1.3	4	16013-393-004	FLOAT SET	4		
* Add 0.3		5	16014-385-680	TGP SET	4		
LINK ARM SET	1.2	6	16015-393-004	CHAMBER SET A, FLDAT	1		
FLOAT SET/FLOAT VALVE SET	1.1	7	16016-405-004	SCREW SET A	4		
• MAIN JET		8	16018-410-004	ARM SET A, LINK	3		
* Add 0.3		9	16021-393-004	DIAPHRAGM SET, PUMP	1		
FLOAT CHAMBER SET	0.9	10	16023-393-014	CHAMBER SET B, FLDAT	1		
• PUMP DIAPHRAGM SET		11	16031-393-014	ARM SET B, LINK	1		
* Add 0.1		12	16045-393-004	CHAMBER SET, FLOAT	2		
		13	16111-410-004	VALVE, THROTTLE	4		
		14	16165-410-004	HOLDER, JET NEEDLE	4		
		15	93500-03008-OH	SCREW, PAN, 3X8	8		
		16	93500-04012-OH	SCREW, PAN, 4X12	11		
		17	93500-04016-OH	SCREW, PAN, 4X16	12		
		18	94111-03800	WASHER, SPRING, 3MM	8		
		19	94111-04800	WASHER, SPRING, 4MM	23		
		20	99101-393-1050	JET, MAIN, #105	4		



# E-20

## Carburetor (Assy. • Link) (CB750F3)

Courtesy of  Honda4Fun  
www.honda4fun.com www.honda4fun.com



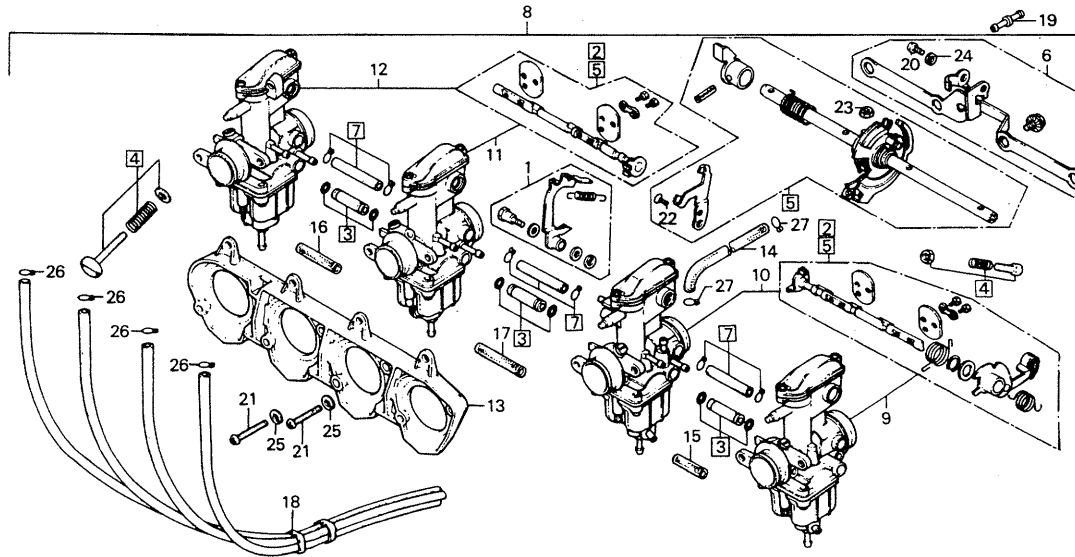
B410-6A

Service item	F.R.T.	Ref. No.	Part No.	Description	Reqd. No. CB750 F2 F3	Serial No.	Area code
CARBURETOR ASSY.	0.8	1	16017-410-004	LINK SET, PUMP	1		
CARBURETOR ASSY. No. 1 and its related parts	1.2	2	16025-410-315	LINK SET, CHOKE	1		
• Add 0.2		3	16026-393-004	JOINT SET, FUEL	1		
THROTTLE LINK SET/CHOKE LINK SET	1.8	4	16028-393-014	SCREW SET B	1		
PUMP LINK SET	1.4	5	16032-405-405	LINK SET, THROTTLE	1		
STAY PLATE	1.0	6	16035-393-004	PLATE SET, RR. STAY	1		
REAR STAY PLATE SET	0.9	7	16048-393-004	TUBE SET, PUMP	1		
THROTTLE RETURN SPRING	0.8	8	16100-410-601	CARBURETOR ASSY.	1		
SCREW SET B.	0.2		16100-410-602	CARBURETOR ASSY.	1		
• OVER FLOW TUBE		9	16101-410-405	CARBURETOR ASSY. 1	1	PD42A [B]	PD42A [A]
			16101-410-425	CARBURETOR ASSY. 1	1		
		10	16102-410-405	CARBURETOR ASSY. 2	1	PD42A [B]	PD42A [A]
			16102-410-425	CARBURETOR ASSY. 2	1		
		11	16103-410-405	CARBURETOR ASSY. 3	1		PD42A [A]
			16103-410-425	CARBURETOR ASSY. 3	1	PD42A [B]	
		12	16104-410-405	CARBURETOR ASSY. 4	1		PD42A [A]
			16104-410-425	CARBURETOR ASSY. 4	1	PD42A [B]	
		13	16119-393-004	PLATE, STAY	1		
		14	16143-393-600	TUBE, AIR VENT (4.5X6X120)	1		
		15	16195-393-600	TUBE, AIR VENT JOINT (4.5X6X26)	1		
		16	16198-393-600	TUBE, AIR VENT JOINT (4.5X6X34)	1		
		17	16199-393-600	TUBE, AIR VENT JOINT (4.5X6X38)	1		
		18	16290-405-000	TUBE ASSY., OVER FLOW	1		
		19	36163-393-013	JOINT, SOLENOID PIPE (TOYO)	1		

1978.09.10

# E-20

## Carburetor (Assy. · Link) (CB750F3)



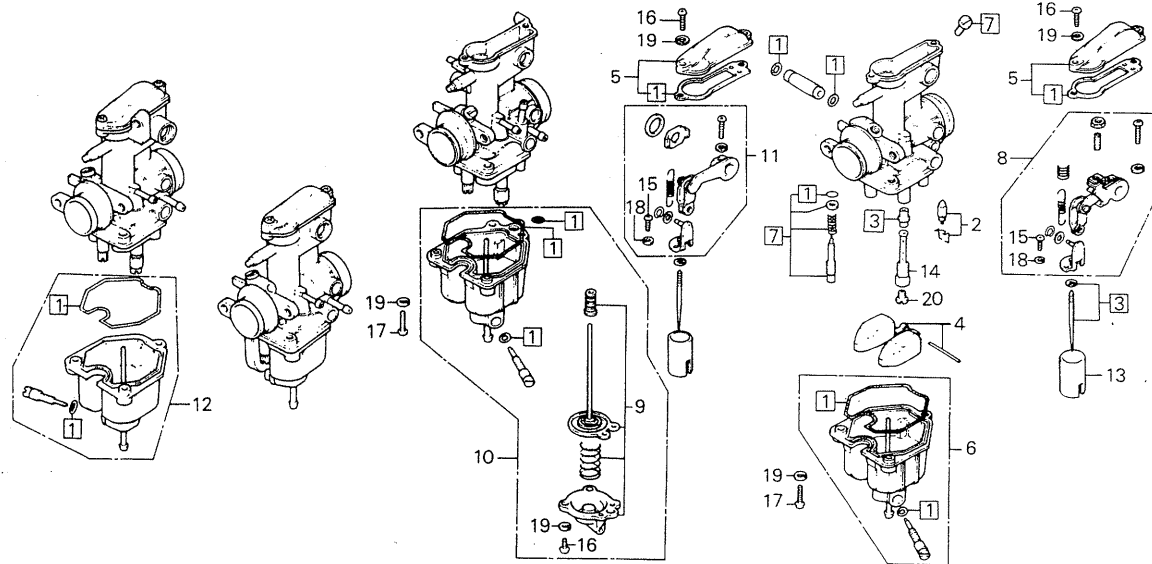
B410-6A

Service item	F.R.T.	Ref. No.	Part No.	Description	Reqd. No. CB750 F2 F3	Serial No.	Area code
		20	93500-04008-0H	SCREW, PAN, 4X8	1		
		21	93500-06020-0H	SCREW, PAN, 6X20	8		
		22	93600-05010-0H	SCREW, FLAT, 5X10	1		
		23	94001-06080	NUT, HEX., 6MM	1		
		24	94111-04800	WASHER, SPRING, 4MM	1		
		25	94111-06800	WASHER, SPRING, 6MM	8		
		26	95002-02070	CLIP B7, TUBE	4		
		27	95002-02080	CLIP B8, TUBE	2		

1978.09.10

# E-20-1

## Carburetor (Component parts) (CB750F3)



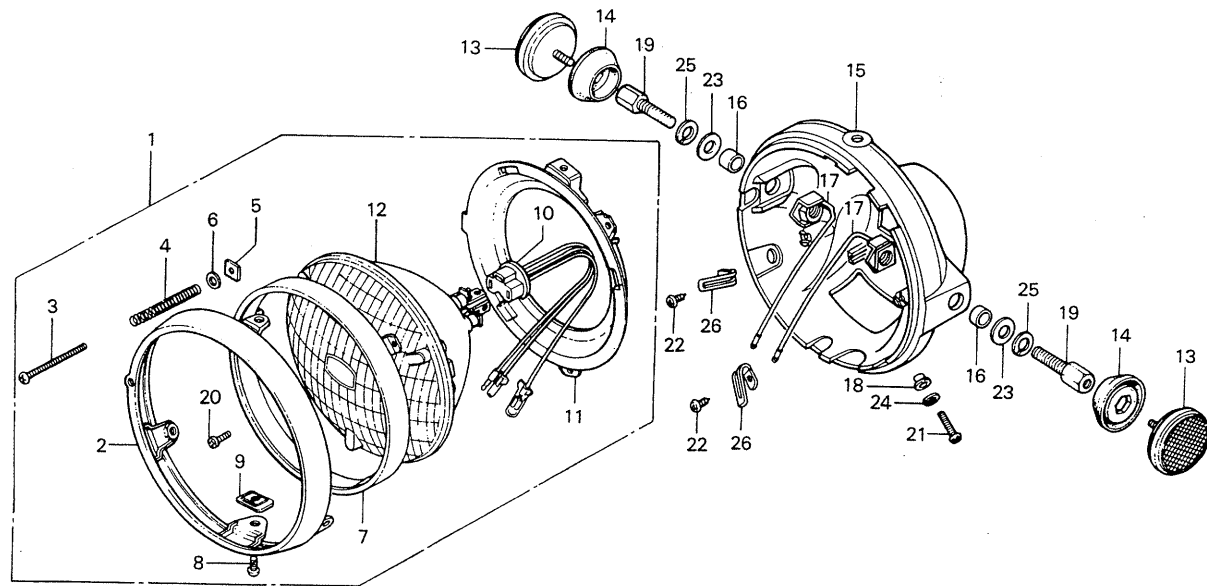
B410-7A

Service item	F.R.T.	Ref. No.	Part No.	Description	Reqd. No. CB750 F2 F3	Serial No.	Area code
PACKING SET	1.8	1	16010-405-004	PACKING SET	4		
* Add 0.6		2	16011-393-004	VALVE SET, FLOAT	4		
JET NEEDLE SET	1.6		16011-382-004	VALVE SET, FLOAT	4	PD42A B	PD42A A
* Add 0.4		3	16012-410-601	NEEDLE SET, JET	4		
THROTTLE VALVE	1.3	4	16013-393-004	FLOAT SET	4		
* Add 0.3		5	16014-385-680	TOP SET	4		
LINK ARMS SET	1.2	6	16015-393-004	CHAMBER SET A, FLOAT	1		
FLOAT SET/FLOAT VALVE SET	1.1	7	16016-410-601	SCREW SET A	4		
• MAIN JET		8	16018-410-004	ARM SET A, LINK	3		
* Add 0.3		9	16021-393-004	DIAPHRAGM SET, PUMP	1		
FLOAT CHAMBER SET	0.9	10	16023-393-014	CHAMBER SET B, FLOAT	1		
• PUMP DIAPHRAGM SET		11	16031-393-014	ARM SET B, LINK	1		
* Add 0.1		12	16045-393-004	CHAMBER SET, FLOAT	2		
		13	16111-410-004	VALVE, THROTTLE	4		
		14	16165-410-004	HOLDER, JET NEEDLE	4		
		15	93500-03008-OH	SCREW, PAN, 3X8	8		
		16	93500-04012-OH	SCREW, PAN, 4X12	11		
		17	93500-04016-OH	SCREW, PAN, 4X16	12		
		18	94111-03800	WASHER, SPRING, 3MM	8		
		19	94111-04800	WASHER, SPRING, 4MM	23		
		20	99101-393-1050	JET, MAIN, #105	4		

1978.09.10

# F-1

## Headlight (A, CM)



B410-8

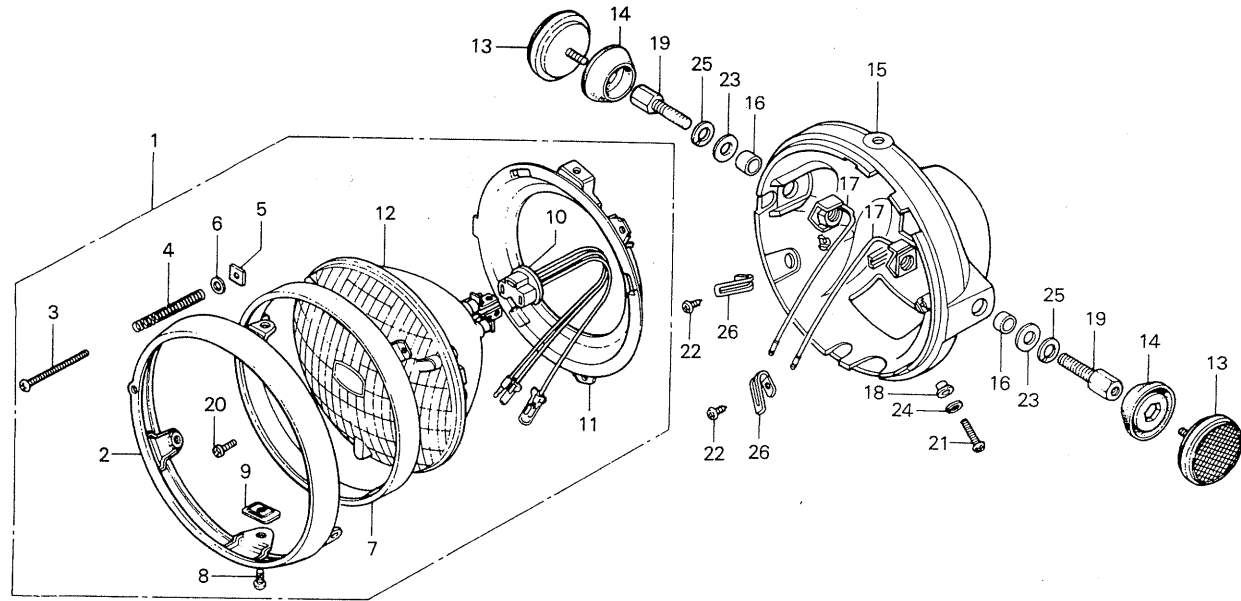
Service item	F.R.T.	Ref. No.	Part No.	Description	Reqd. No. CB750 F2 F3	Serial No.	Area code
HEADLIGHT CASE	0.3	1	33100-405-671	HEADLIGHT ASSY.	1 1		A,CM
SEALED BEAM UNIT and its related parts	0.2	2	33101-405-671	RIM, HEADLIGHT	1 1		A,CM
HEADLIGHT ASSY./HEADLIGHT CORD SOCKET COMP.	0.1	3	33103-346-670	SCREW, BEAM ADJUST	1 1		A,CM
		4	33107-300-003	SPRING, HEADLIGHT BEAM	1 1		A,CM
		5	33117-001-023	NUT, HEADLIGHT BEAM ADJUSTING	1 1		A,CM
		6	33119-371-003	WASHER, BEAM ADJUST	1 1		A,CM
		7	33121-405-671	RING, RETAINING	1 1		A,CM
		8	33125-292-670	SCREW, UNIT HOLDER	2 2		A,CM
		9	33128-292-670	NUT, UNIT HOLDER	2 2		A,CM
		10	33130-300-671	SOCKET COMP., HEADLIGHT CORD	1 1		A,CM
		11	33153-375-671	RING, MOUNTING	1 1		A,CM
		12	33321-371-672	BEAM UNIT, SEALED (12V50/40W STANLEY)	1 1		A,CM
		13	33741-340-670	REFLECTOR, FR. REFLEX	2 2		A,CM
		14	33743-375-000	BASE, FR. REFLECTOR	2 2		A,CM
		15	61301-393-771ZA	CASE, HEADLIGHT *NH-1*	1 1		A,CM
		16	61302-300-000	COLLAR, HEADLIGHT CASE	2 2		A,CM
		17	61303-336-000	WASHER, HEADLIGHT CASE	2 2		A,CM
		18	61304-292-000	COLLAR, HEADLIGHT SETTING	3 3		A,CM
		19	90120-377-000	BOLT, HEADLIGHT STAY	2 2		A,CM
		20	93500-03008-1A	SCREW, PAN, 3X8	2 2		A,CM
		21	93500-05016-0B	SCREW, PAN, 5X16	3 3		A,CM
		22	93901-14110	SCREW, TAPPING, 4X8	3 3		A,CM
		23	94101-10200	WASHER, PLAIN, 10MM	2 2		A,CM
		24	94111-05000	WASHER, SPRING, 5MM	3 3		A,CM

1978.09.10

# F-1

## Headlight (A, CM)

Courtesy of  Honda4Fun  
www.hondafour.com www.honda4fun.com



B410-8

Service item	F.R.T.	Ref. No.	Part No.	Description	Reqd. No. CB750 F2 F3	Serial No.	Area code
		25	94111-10000	WASHER, SPRING, 10MM	2	2	A,CM
		26	94591-45000	CLIP, WIRE, 4X50	3	3	A,CM

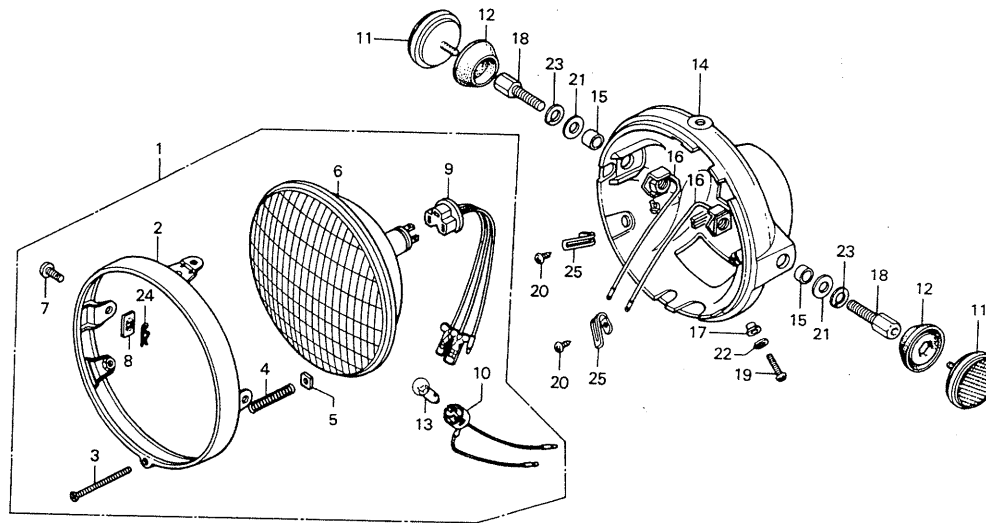
1978.09.10

FRAME GROUP



# F-1-1

## Headlight (DK, DM, U)



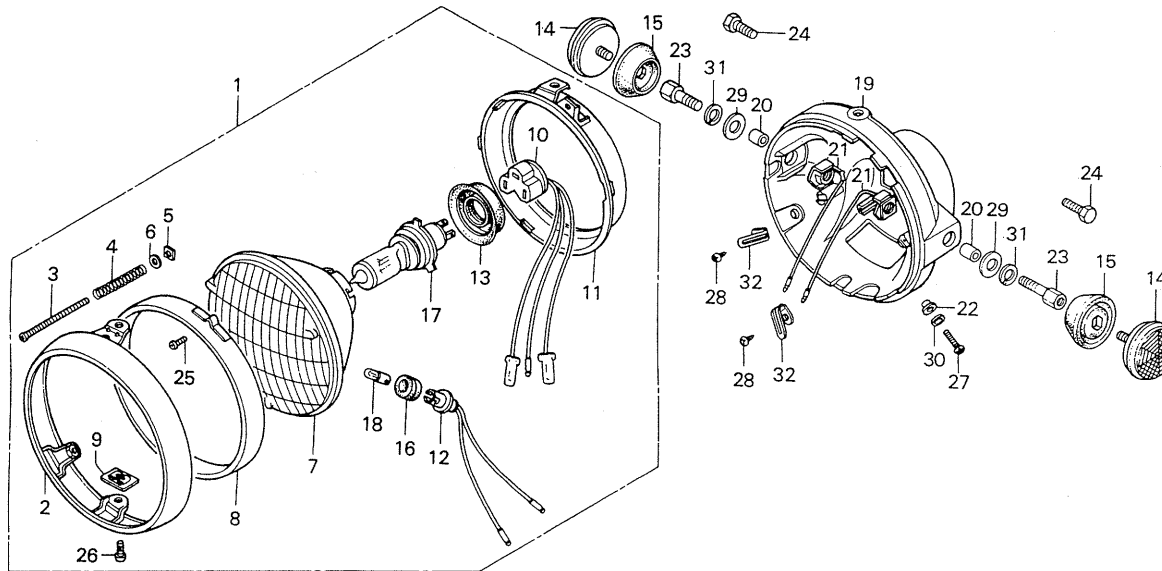
B410-35

Service item	F.R.T.	Ref. No.	Part No.	Description	Reqd. No. CB750 F2 F3	Serial No.	Area code
HEADLIGHT CASE	0.3	1	33100-375-003	HEADLIGHT ASSY. (12V 50/40W)	1		DK,DM,U
SEALED BEAM UNIT and its related parts	0.2	2	33101-300-043	RIM, HEADLIGHT	1		DK,DM,U
HEADLIGHT ASSY./HEADLIGHT	0.1	3	33103-346-670	SCREW, BEAM ADJUST	1		DK,DM,U
		4	33107-300-003	SPRING, HEADLIGHT BEAM	1		DK,DM,U
CORD SOCKET COMP.		5	33117-001-023	NUT, HEADLIGHT BEAM ADJUSTING	1		DK,DM,U
		6	33120-375-003	HEADLIGHT UNIT	1		DK,DM,U
		7	33125-087-761	SCREW, UNIT HOLDER	2		DK,DM,U
		8	33128-292-670	NUT, UNIT HOLDER	2		DK,DM,U
		9	33130-323-003	SOCKET COMP., HEADLIGHT	1		DK,DM,U
		10	33170-323-003	SOCKET COMP., MARKER LIGHT	1		DK,DM,U
		11	33741-340-670	REFLECTOR, FR. REFLEX	2		DK,DM,U
		12	33743-375-000	BASE, FR. REFLECTOR	2		DK,DM,U
		13	34903-071-003	BULB, MARKER LIGHT (12V 3W)	1		DK,DM,U
		14	61301-393-771ZA	CASE, HEADLIGHT *NH-1*	1		DK,DM,U
		15	61302-300-000	COLLAR, HEADLIGHT CASE	2		DK,DM,U
		16	61303-336-000	WASHER, HEADLIGHT CASE	2		DK,DM,U
		17	61304-292-000	COLLAR, HEADLIGHT SETTING	3		DK,DM,U
		18	90120-377-000	BOLT, HEADLIGHT STAY	2		DK,DM,U
		19	93500-05016-08	SCREW, PAN, 5X16	3		DK,DM,U
		20	93901-14110	SCREW, TAPPING, 4X8	3		DK,DM,U
		21	94101-10000	WASHER, PLAIN, 10MM	2		DK,DM,U
		22	94111-05000	WASHER, SPRING, 5MM	3		DK,DM,U
		23	94111-10000	WASHER, SPRING, 10MM	2		DK,DM,U
		24	94251-05000	PIN, LOCK, 5MM	2		DK,DM,U
		25	94591-45000	CLIP, WIRE, 4X50	3		DK,DM,U
				1978.09.10			

# F-1-2

## Headlight (E, ED, F, G)

Courtesy of  Honda4Fun  
www.hondafour.com www.honda4fun.com



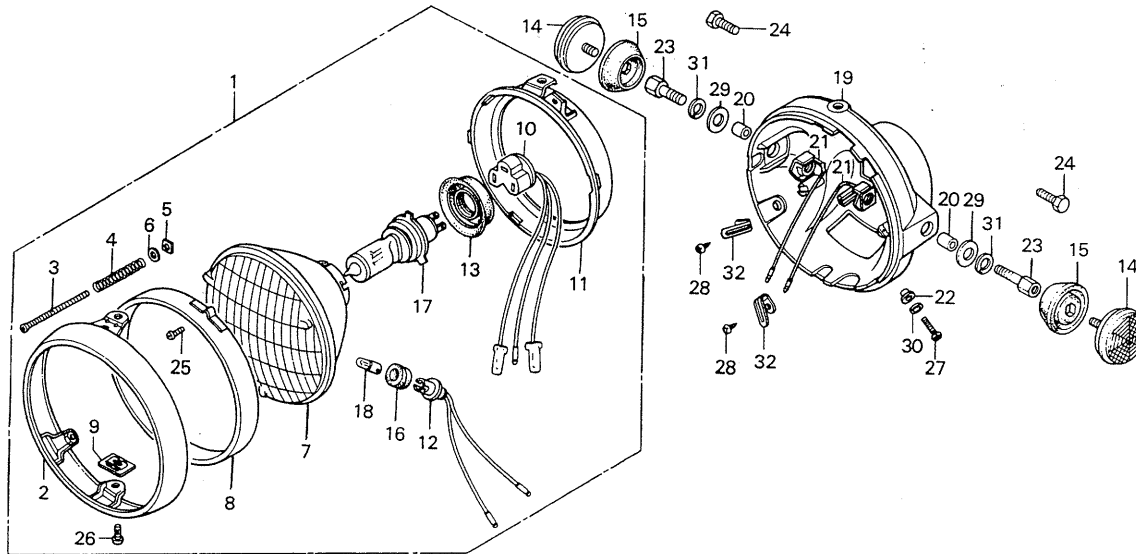
B410-38

Service item	F.R.T.	Ref. No.	Part No.	Description	Reqd. No. CB750 F2 F3	Serial No.	Area code
HEADLIGHT CASE	0.3	1	33100-371-601	HEADLIGHT ASSY.	1		E
SEALED BEAM UNIT and its related parts	0.2		<del>33100-371-611</del>	HEADLIGHT ASSY. - 1899 217	1	-X 1688-	ED, G
HEADLIGHT ASSY./HEADLIGHT	0.1		33100-371-621	HEADLIGHT ASSY.	1		F
CORD SOCKET COMP.		2	<del>33101-405-671</del>	RIM, HEADLIGHT - 427 498	1		E, ED, F, G
		3	33103-346-670	SCREW, BEAM ADJUST	1		E, ED, F, G
		4	33107-300-003	SPRING, HEADLIGHT BEAM	1		E, ED, F, G
		5	33117-001-023	ADJUSTING NUT, HEADLIGHT BEAM ADJUSTING	1		E, ED, F, G
		6	33119-371-003	WASHER, BEAM ADJUST	1		E, ED, F, G
		7	33120-371-601	HEADLIGHT UNIT	1		E
			<del>33120-371-611</del>	HEADLIGHT UNIT - 486	1		ED, F, G
		8	33121-405-671	RING, RETAINING - 222	1		E, ED, F, G
		9	33128-292-670	NUT, UNIT HOLDER	2		E, ED, F, G
		10	33130-300-671	SOCKET COMP., HEADLIGHT CORD	1		E, ED, F, G
		11	<del>33153-375-671</del>	RING, MOUNTING - 209 224	1		E, ED, F, G
		12	33170-390-611	SOCKET COMP., MARKER LIGHT	1		E, ED, F, G
		13	33180-371-601	COVER, BULB	1		E, ED, F, G
		14	<del>33741-340-670</del>	REFLECTOR, FR. REFLEX - 117 117	2	193	E, ED, G
		15	<del>33743-375-000</del>	BASE, FR. REFLECTOR - 26	2		E, ED, G
		16	33905-371-601	RUBBER, JOINT	1		E, ED, F, G
		17	34901-371-601	H4 BULB(12342/99) MFD. BY PHILIPS (LOCAL PROCUREMENT PART)	1		E, ED, G
			34901-371-621	H4 BULB(12342/99) MFD. BY PHILIPS (LOCAL PROCUREMENT PART)	1		F
		18	34903-388-611	BULB, POSITION (12V 4W) (LOCL PROCUREMENT PART)	1		E, ED, F, G
		19	61301-393-771ZA	CASE, HEADLIGHT *NH-1*	1	<del>X</del> 698	E, ED, F, G

1978.09.10

# F-1-2

## Headlight (E, ED, F, G)

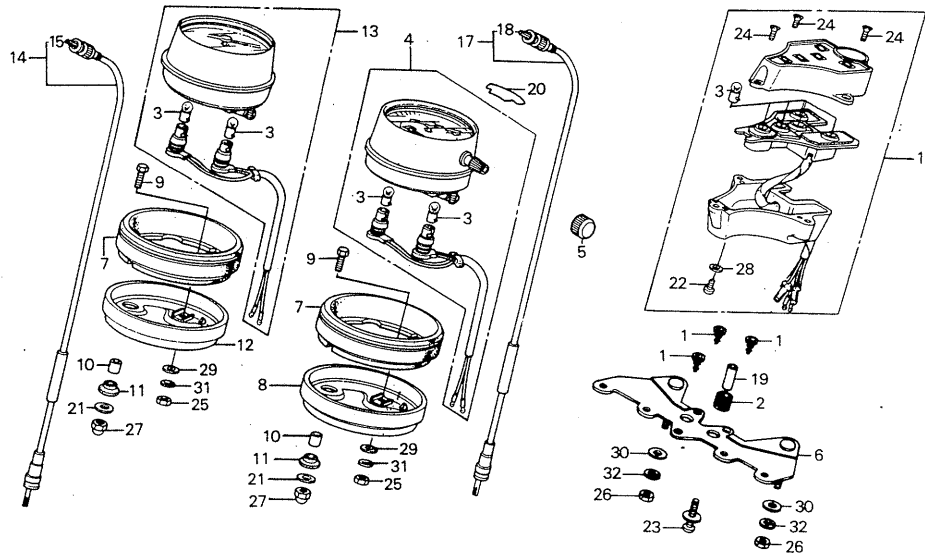


B410-38

Service item	F.R.T.	Ref. No.	Part No.	Description	Reqd. No. CB750 F2 F3	Serial No.	Area code
		20	61302-300-000	COLLAR, HEADLIGHT CASE	2		E, F, G
		21	61303-336-000	WASHER, HEADLIGHT CASE	2		E, F, G
		22	61304-292-000	COLLAR, HEADLIGHT SETTING	3		E, F, G
		23	90120-371-000	BOLT, HEADLIGHT STAY	2		E, ED, G
		24	92000-10025-0B	BOLT, HEX., 10X25	2		F
		25	93500-03008-1A	SCREW, PAN, 3X8	2		E, ED, F, G
		26	93500-05008-0H	SCREW, PAN, 5X8	2		E, ED, F, G
		27	93500-05016-0B	SCREW, PAN, 5X16	3		E, ED, F, G
		28	93901-14110	SCREW, TAPPING, 4X8	3		E, ED, F, G
		29	94101-10000	WASHER, PLAIN, 10MM	2		E, F, G
		30	94111-05000	WASHER, SPRING, 5MM	2		E, ED, F, G
		31	94111-10000	WASHER, SPRING, 10MM	2		E, ED, F, G
		32	94591-45000	CLIP, WIRE, 4X50	3		E, ED, F, G

# F-2

## Speedometer · Tachometer · Pilot lamp



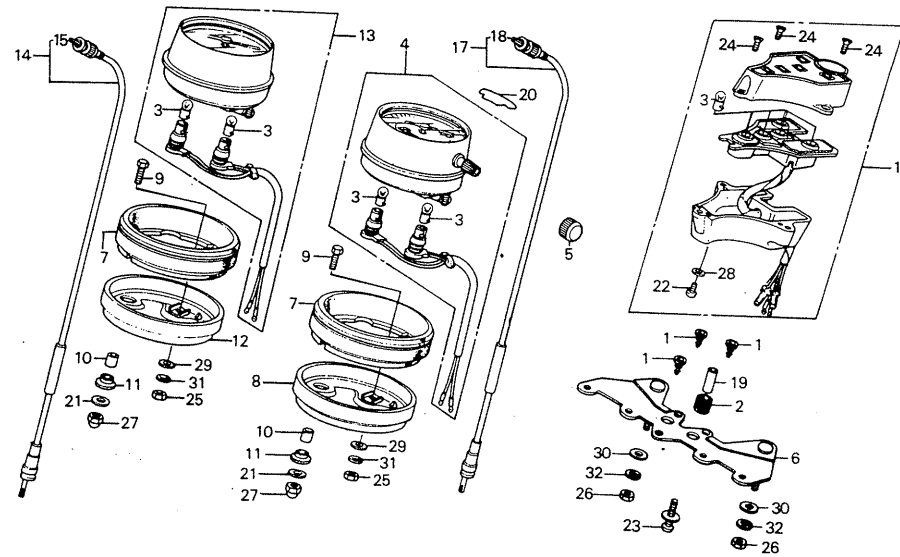
B405-18A

Service item	F.R.T.	Ref. No.	Part No.	Description	Reqd. No. CB750 F2 F3	Serial No.	Area code
METER BRACKET	0.5	1	32701-392-700	STOPPER, METER BRACKET	3		
• COMBINATION PILOT ASSY.		2	32702-392-700	GROMMET, METER BRACKET	2		
SPEEDOMETER ASSY.	0.3	3	34902-259-000	BULB, DASH (12V3.4W)	9		
• TACHOMETER ASSY.		4	37200-405-671	SPEEDOMETER ASSY. (MPH KPH)	1		A, DM, E
SPEEDOMETER CUSHION/UNDER PLATE	0.2		37200-405-681	SPEEDOMETER ASSY. (KPH) <i>2463 V</i>	1		CM
TACHOMETER CABLE	0.1		37200-405-781	SPEEDOMETER ASSY. (KPH/MPH) X	1	<i>X 3735</i>	DK, ED, F, G, U
• SPEEDOMETER CABLE		5	37202-371-610	CAP, TRIP METER KNOB	1		CM
• DUSH BULB							G
		6	37211-405-000	BRACKET, METER <i>215 X 271</i>	1		
		7	37235-323-700	CUSHION, SPEEDOMETER	2		
		8	37236-404-000	PLATE, SPEEDOMETER UNDER <i>153</i>	1	<i>193</i>	
		9	37238-323-700	BOLT, METER SET, 6MM	4		
		10	37243-323-700	COLLAR, METER SET	4		
		11	37244-307-670	RUBBER, METER SETTING	4		
		12	37246-404-000	PLATE, TACHOMETER UNDER	1		
		13	37250-410-009	TACHOMETER ASSY. X <i>3111</i>	1		
			37250-410-771	TACHOMETER ASSY.	1		
		14	37260-362-000	CABLE ASSY., TACHOMETER	1	<i>140</i>	
		15	37261-362-000	CABLE, TACHOMETER INNER	1		
		16	37600-377-018	PILOT ASSY., COMBINATION <i>826</i> (NIPPON SEIKI)	1	<i>1044</i>	
		17	44830-390-000	CABLE ASSY., SPEEDOMETER <i>153</i>	1	<i>123</i>	
		18	44831-323-000	CABLE, SPEEDOMETER INNER	1		
		19	84706-375-000	COLLAR, NUMBER BRACKET SET	2		
		20	87523-410-790	LABEL, BREAK IN MAINTENANCE CAUTION	1	2250001	A

1978.09.10

# F-2

Speedometer •  
Tachometer • Pilot lamp



B405-18

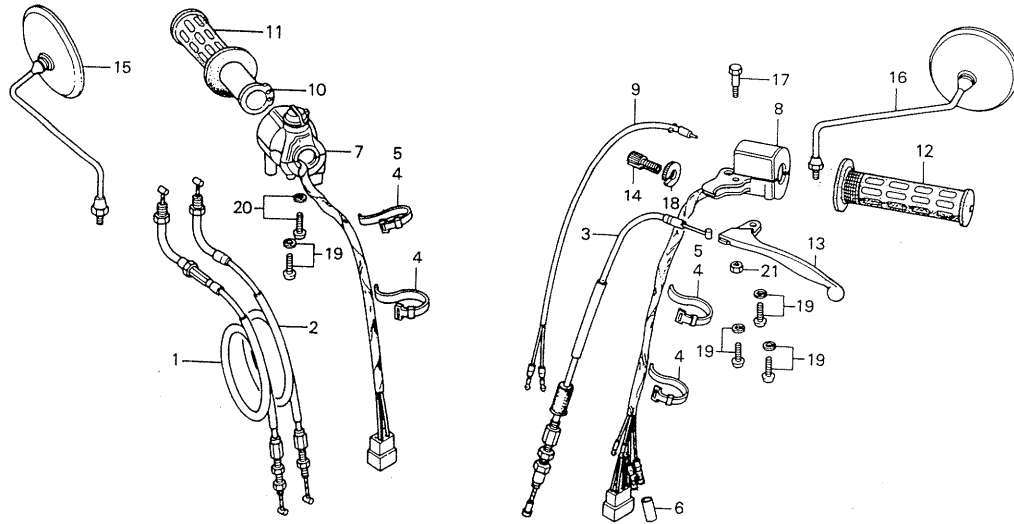
Service item	F.R.T.	Ref. No.	Part No.	Description	Reqd. No.		Serial No.	Area code
					CB750	F2 F3		
		21	90545-323-700	WASHER, 6.5X18	4	4		
		22	93500-05006-03	SCREW, PAN, 5X6	1	1		
		23	93894-05032-00	SCREW-WASHER, 5X32	2			
			93894-05028-00	SCREW-WASHER, 5X28	2		2103118	
					2			A,CM,DK,DM,U
								A,CM,DK,DM,U
								E,ED,F,G
		24	93902-24280	SCREW, TAPPING, 4X10	3	3		
		25	94001-06070	NUT, HEX., 6MM	4	4		
		26	94001-08070-0S	NUT, HEX., 8MM	2	2		
		27	94021-06020-0S	NUT, CAP, 6MM	4	4		
		28	94101-05700	WASHER, PLAIN, 5MM	1	1		
		29	94101-06700	WASHER, PLAIN, 6MM	4	4		
		30	94101-08700	WASHER, PLAIN, 8MM	2	2		
		31	94111-06700	WASHER, SPRING, 6MM	4	4		
		32	94111-08700	WASHER, SPRING, 8MM	2	2		



# F-3

## Handle lever • Switch • Cable

Courtesy of  Honda4Fun  
www.hondafour.com www.honda4fun.com



B410-9

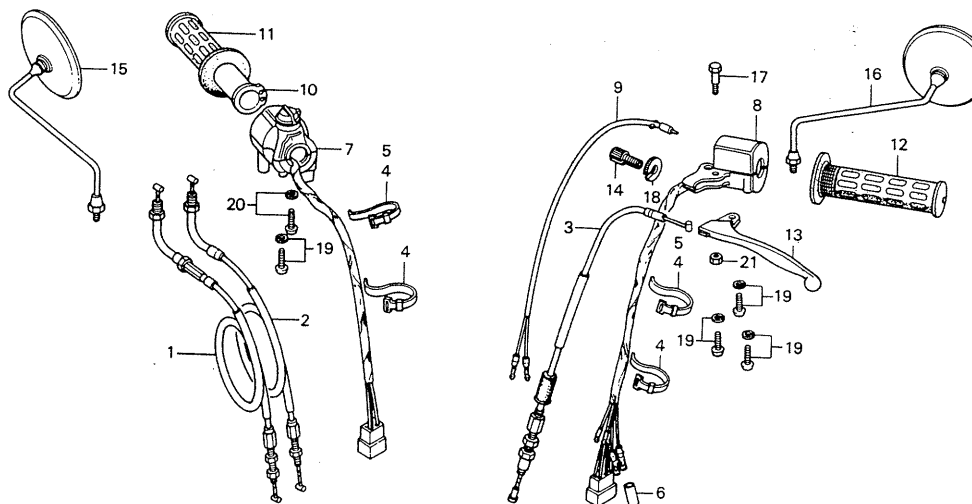
Service item	F.R.T.	Ref. No.	Part No.	Description	Reqd. No. CB750 F2 F3	Serial No.	Area code
THROTTLE CABLE COMP. * One or all	0.5	1	17910-393-010	CABLE COMP. A, THROTTLE	1 1		A,CM,DK,DM,U
STARTER KILL SWITCH ASSY. • CLUTCH CABLE COMP.	0.4	2	17910-405-610	CABLE COMP. A, THROTTLE	1		E,ED,F,G
WINKER SWITCH ASSY.	0.3	3	17920-405-610	CABLE COMP. B, THROTTLE	1		E,ED,F,G
CLUTCH LEVER SWITCH ASSY. • THROTTLE GRIP PIPE	0.2	3	17920-410-000	CABLE COMP. B, THROTTLE	1 1		A,CM,DK,DM,U
STEERING HANDLE LEVER • GRIP RUBBER	0.1	4	22870-405-610	CABLE COMP., CLUTCH	1 1		E,ED,F,G
		5	22870-410-000	CABLE COMP., CLUTCH	4 4		A,CM,DK,DM,U
		6	32161-404-000	BAND B1, WIRE	2		A,CM,DK,DM,U
		7	32161-404-610	BAND B1, WIRE	2		E,ED,F,G
		8	32177-410-610	TUBE, CONNECTOR	1		E,ED,F,G
		9	35130-404-671	SWITCH ASSY., STARTER KILL	1	942	A,CM
		10	35150-404-003	SWITCH ASSY., STARTER KILL	1	942	DK,DM,E,ED,F,G,U
		11	35200-410-003	SWITCH ASSY., WINKER HORN	1	942	DK,DM,E,ED,F,G,U
		12	35200-410-671	SWITCH ASSY., WINKER HORN	1 1		
		13	35360-341-000	SWITCH ASSY., CLUTCH LEVER	1 1	130	
		14	53141-300-010	PIPE, THROTTLE GRIP	1 1	130	
		15	53165-390-780	RUBBER, R. GRIP	1 1		
		16	53166-390-780	RUBBER, L. GRIP	1 1		
		17	53190-410-000	LEVER COMP., L. STEERING	1 1	198	
		18	53192-268-000	BOLT, CLUTCH WIRE ADJUSTING	1 1		
		19	88110-304-621	MIRROR, R. BACK	1		F
		20	88110-333-611	MIRROR, R. BACK	1 1		A,CM,DK,DM,E,ED,G
		21	88110-369-650	MIRROR, R. BACK	1		U
		22	88120-304-621	MIRROR, L. BACK	1		F
		23	88120-333-611	MIRROR, L. BACK	1 1		A,CM,DK,DM,E,ED,G

1978.09.10

# F-3

## Handle lever • Switch • Cable

Courtesy of  Honda4Fun  
www.honda4fun.com

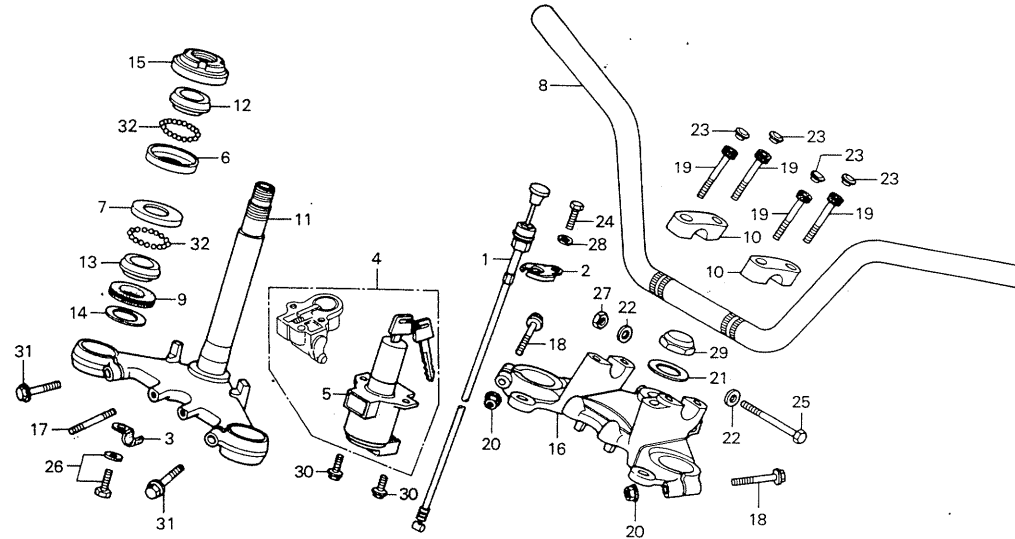


B410-9

Service item	F.R.T.	Ref. No.	Part No.	Description	Reqd. No. CB750 F2 F3	Serial No.	Area code
			88120-369-650	MIRROR, L. BACK	1		U
		17	90114-310-000	BOLT, HANDLE LEVER PIVOT	1	1	
		18	90321-315-670	NUT, FIXING	1	1	
		19	93892-05025-00	SCREW-WASHER, 5X25	4	4	
		20	93892-05032-00	SCREW-WASHER, 5X32	1	1	
		21	94001-06000	NUT, HEX., 6MM	1	1	

# F-4

## Handle pipe · Top bridge · Stem



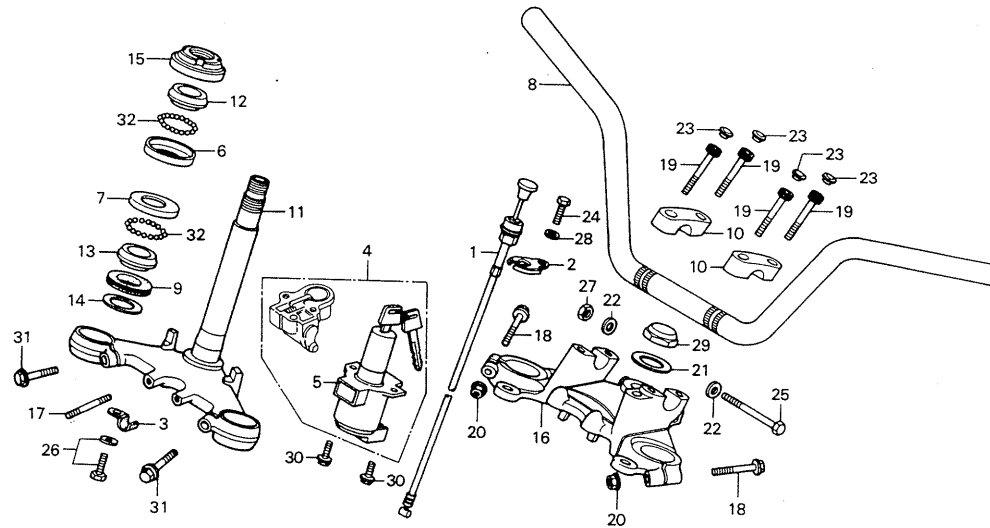
B410-10

Service item	F.R.T.	Ref. No.	Part No.	Description	Reqd. No. CB750 F2 F3	Serial No.	Area code
STEERING STEM COMP./BOTTOM CONE RACE	1.1	1	17950-405-000	CABLE COMP., CHOKE	1		
STEERING HANDLE PIPE	1.0	2	17951-404-670	STAY, CHOKE CABLE	1		
STEERING BALL RACE	1.0	3	32123-390-000	CLIP, WIRE HARNESS	1		
* One or all		4	35010-410-000	KEY SET	1		
FORK TOP BRIDGE	0.6		35010-410-610	KEY SET	1	1000787	DK,DM,U
STEERING HEAD TOP THREAD COMP./TOP CONE RACE	0.5		35010-393-770	KEY SET	1	1000891	A,CM E,ED,F,G
KEY SET/COMBINATION SWITCH ASSY.	0.4		35010-393-771	KEY SET	1	1000788	DK,DM,U
CHOKE CABLE COMP.	0.2		35010-410-611	KEY SET	1	1000892	A,CM,DK,DM,U E,ED,F,G
			35010-410-612	KEY SET	1		E,ED,F,G
		5	35100-377-007	SWITCH ASSY., COMBINATION (HONDA LOCK)	1	1	A,CM,DK,DM,U
			35100-377-612	SWITCH ASSY., COMBINATION (HONDA LOCK)	1		E,ED,F,G
			35100-422-017	SWITCH ASSY., COMBINATION	1	1	A,CM,DK,DM,U
			35100-422-602	SWITCH ASSY., COMBINATION	1		E,ED,F,G
		6	50301-268-000	RACE, STEERING TOP BALL	1		
		7	50302-268-000	RACE, STEERING BOTTOM BALL	1		
		8	53100-405-610	PIPE, STEERING HANDLE	1		
			53100-410-000	PIPE, STEERING HANDLE	1		E,ED,F,G
		9	53124-250-000	DUST SEAL, STEERING HEAD	1		A,CM,DK,DM,U
		10	53131-371-000	HOLDER, HANDLE PIPE UPPER	2		

1978.09.10

# F-4

Handle pipe ·  
Top bridge · Stem



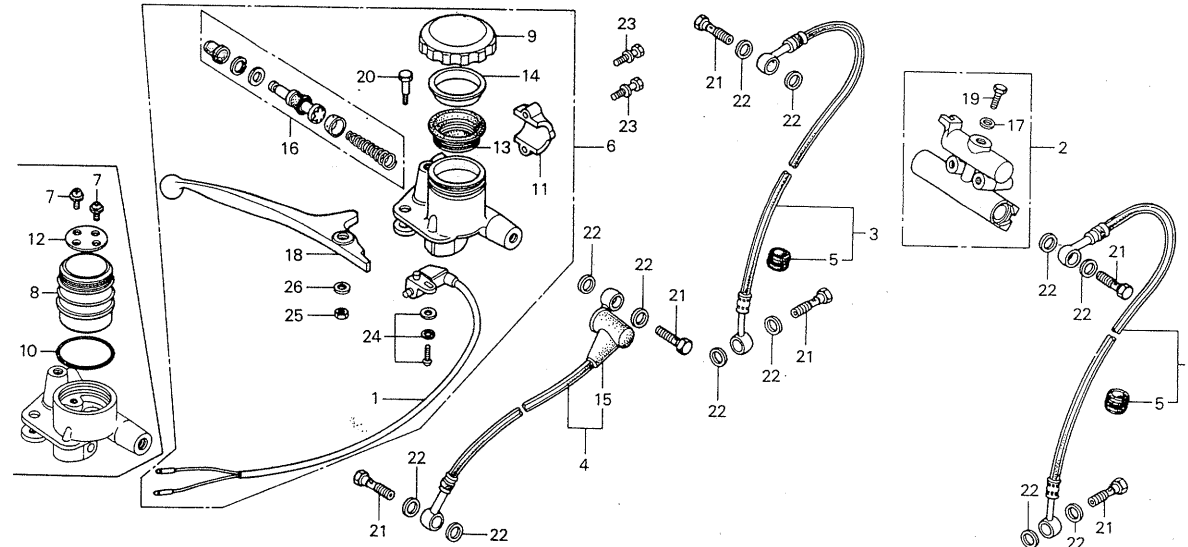
B410-10

Service item	F.R.T.	Ref. No.	Part No.	Description	Reqd. No. CB750 F2 F3	Serial No.	Area code
		11	53200-410-000ZA	STEM COMP., STEERING *NH-1*	1	2254 3474	A,CM,DK,DM,U
			<del>53200-410-610ZA</del>	<del>STEM COMP., STEERING *NH-1*</del>	1		E,ED,F,G
		12	53211-268-000	RACE, STEERING TOP CONE	1		
		13	53212-250-000	RACE, STEERING BOTTOM CONE	1		
		14	53215-250-000	WASHER, STEERING HEAD DUST	1		
		15	53220-286-000	THREAD CMP., STEERING HEAD	1		
		16	53230-405-000	BRIDGE, FORK TOP	1	1458 ✓	
		17	90126-410-000	BOLT, STUD, 6X52	2		
		18	90155-369-000	BOLT, FLANGE, 7X54	2		
		19	90185-371-000	BOLT, HEX. SOCKET, 8X32	4		
		20	90355-369-000	NUT, FLANGE, 7MM	2		
		21	90503-283-000	WASHER, STEERING STEM	1		
		22	90555-283-000	WASHER, SPECIAL, 8MM	2		
		23	91456-371-770	CAP, SOCKET BOLT	4		
		24	92000-08016-08	BOLT, HEX., 8X16	1		
		25	93000-08074-08	BOLT, HEX., 8X74	1		
		26	93481-08020-00	BOLT-WASHER, 8X20	1		
		27	94001-08020-05	NUT, HEX., 8MM	1		
		28	94102-08200	WASHER, PLAIN, 8MM	1		
		29	95020-11300	NUT A3, STEERING STEM	1		
		30	95700-06016-00	BOLT, FLANGE, 6X16	2		
		31	95700-10040-00	BOLT, FLANGE, 10X40	2		
		32	96211-08000	BALL, STEEL, #8 (1/4)	37	37	

1978.09.10

# F-5

## Front master cylinder



B410-11A

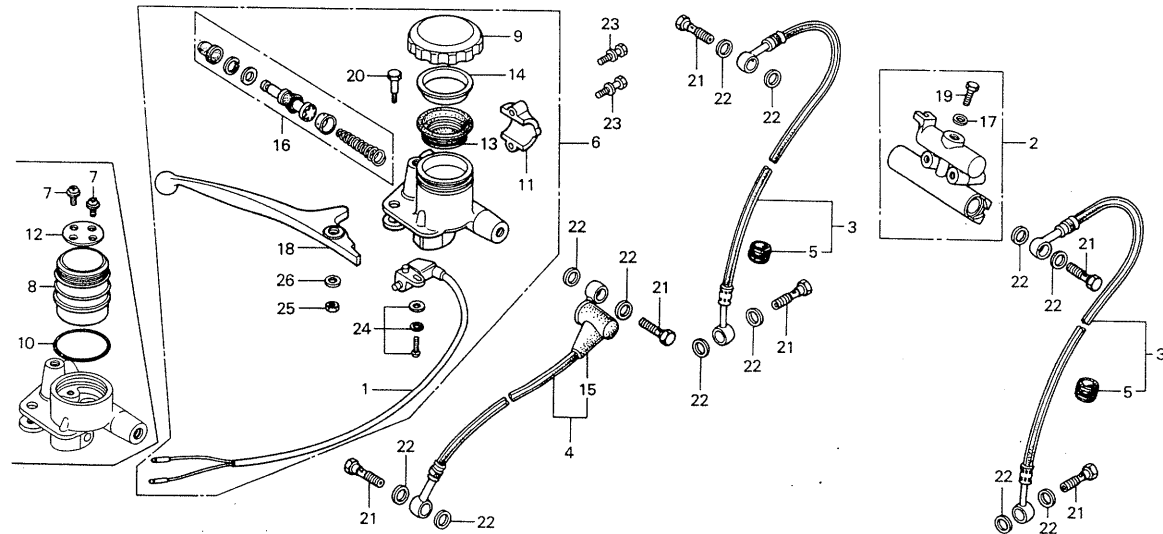
Service item	F.R.T.	Ref. No.	Part No.	Description	Reqd. No. CB750 F2 F3	Serial No.	Area code
MASTER CYLINDER SET	0.4	1	35340-393-771	SWITCH ASSY., FR. STOP	1 1		
MASTER CYLINDER ASSY.	0.3	2	45123-410-000	JOINT ASSY., THREE WAY	1 1		
• THREE WAY JOINT ASSY.		3	45125-410-003	HOSE A, FR. BRAKE	2 2		
• FRONT BRAKE HOSE		4	45126-371-003	HOSE ASSY. B, FR. BRAKE (NICHIRIN)	1 1	534	A,CM,DK,DM,U
* One or all at front brake hose			45126-405-611	HOSE ASSY. B, FR. BRAKE	1		E,ED,F,G
STOP SWITCH ASSY.	0.2	5	45146-300-000	GROMMET, BRAKE HOSE	2 2		
STEERING HANDLE LEVER	0.1	6	45500-410-621	CYLINDER ASSY., FR. MASTER	1 1		E,ED,F,G
			45500-410-651	CYLINDER ASSY., FR. MASTER	1		U
			45500-410-671	CYLINDER ASSY., FR. MASTER	1 1		A,CM
			45500-410-681	CYLINDER ASSY., FR. MASTER	1		DK,DM
			45509-371-003	SCREW, OIL CUP	2		E,ED,F,G
			45511-371-003	CUP, OIL (NISSHIN)	1		E,ED,F,G
			45513-341-671	CAP, OIL CUP	1		DK,DM,E,ED,F,G
			45513-341-771	CAP, OIL CUP	1 1		A,CM
			45513-371-651	CAP, OIL CUP	1		U
		10	45516-371-003	O-RING	1		E,ED,F,G
		11	45517-300-003	HOLDER, MASTER CYLINDER (NISSIN)	1 1		
		12	45518-371-003	PLATE, OIL CUP	1		E,ED,F,G
		13	45520-371-003	DIAPHRAGM	1 1		
		14	45521-300-010	PLATE, DIAPHRAGM	1 1		
		15	45522-300-010	BOOT, MASTER CYLINDER	1 1		
		16	45530-410-305	CYLINDER SET, FR. MASTER	1 1		
		17	46138-568-671	WASHER, STOPPER BOLT	1 1		
		18	53175-393-771	LEVER, R. STEERING HANDLE	1		2108259 A,CM

1978-09.10



# F-5

## Front master cylinder



B410-11A

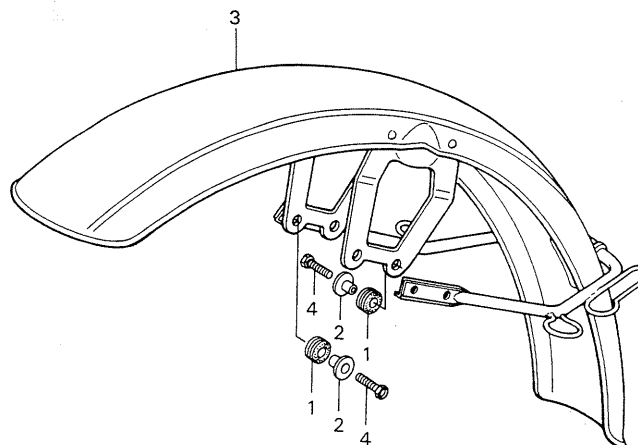
Service item	F.R.T.	Ref. No.	Part No.	Description	Reqd. No. CB750 F2 F3	Serial No.	Area code
			53175-393-771	LEVER COMP., R. HANDLE	1	2108260	A,CM
					1		DK,DM,E,ED,F,G,U
		19	90105-371-003	BOLT, SEALING (NISSHIN)	1		
		20	90114-393-770	BOLT, HANDLE LEVER PIVOT	1		
		21	90145-300-000	BOLT, OIL	6		
		22	90545-300-000	WASHER, OIL BOLT	12		
		23	93481-06025-00	BOLT-WASHER, 6X25	2		
		24	93893-04012-00	SCREW-WASHER, 4X12	1		
		25	94002-06000-05	NUT, HEX., 6MM	1		
		26	94101-06000	WASHER, PLAIN, 6MM	1		

1978.09.10

# F-6

## Front fender

Courtesy of  Honda4Fun  
 www.hondafour.com www.honda4fun.com



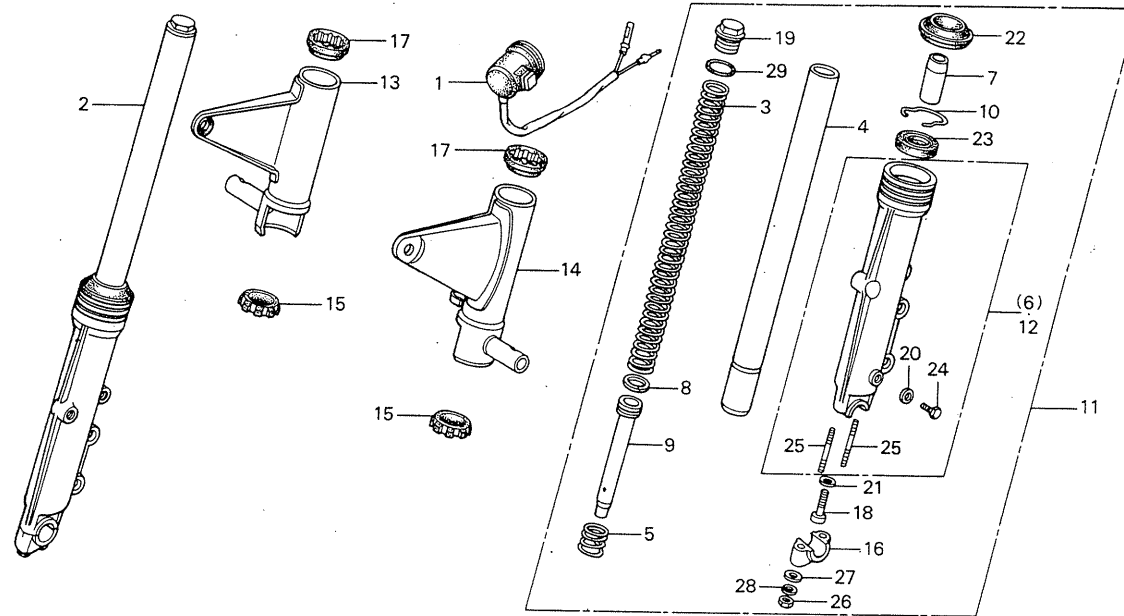
B410-12

Service item	F.R.T.	Ref. No.	Part No.	Description	Reqd. No.			Serial No.	Area code
					CB750	F2	F3		
FRONT FENDER COMP.	0.5	1	40513-310-000	RUBBER, CHAIN CASE MOUNT	4	4			
		2	40514-310-000	COLLAR, CHAIN CASE	4	4			
		3	61100-410-000	FENDER COMP., FR. <i>192</i> ✓	1	1	<i>2564</i>		
		4	92000-06020	BOLT, HEX., 6X20	4	4			

1978.09.10

# F-7

## Front fork



B410-13

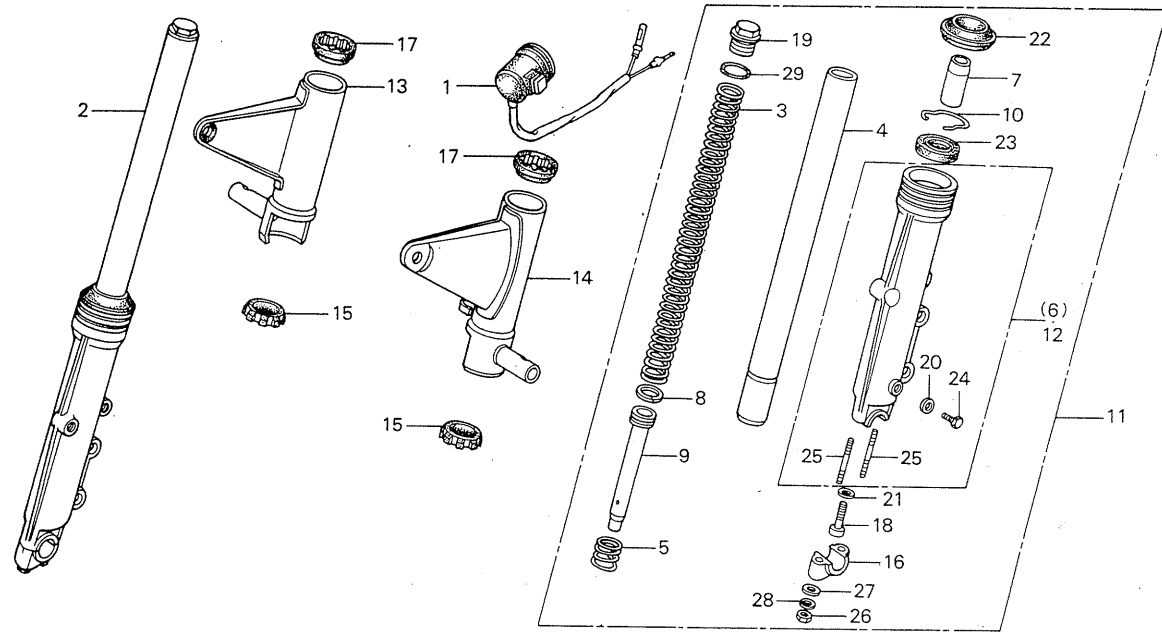
Service item	F.R.T.	Ref. No.	Part No.	Description	Reqd. No. CB750 F2 F3	Serial No.	Area code
FRONT FORK BOTTOM CASE	0.9	1	38400-341-674	BUZZER ASSY., WINKER	1		A,CM,DK,DM,U
* One motorcycle 1.5		2	51400-410-003ZA	FORK ASSY., R. FR. *A-01*	1		
FRONT FORK OIL SEAL	0.7	3	51401-393-000	SPRING, FR. CUSHION	2		
* One motorcycle 1.1		4	51410-393-003	PIPE COMP., FR. FORK (SHOWA)	2	1884 HP 2157 3474	
FRONT FORK COVER	0.7	5	51412-340-000	SPRING, FR. FORK REBOUND	2		
* One motorcycle 0.9		6	51421-410-003ZA	CASE, R. FR. FORK BOTTOM	1		
FRONT FORK PIPE/BOTTOM PIPE	0.6	7	51432-371-003	PIECE, OIL LOCK	2		
and those related parts		8	51437-400-771	RING, PISTON	2		
* One motorcycle 0.9		9	51440-393-003	PIPE, BOTTOM	2		
FRONT FORK ASSY.	0.5	10	51466-375-000	RING, OIL SEAL, STOPPER	2		
* One motorcycle 0.8		11	51500-410-003ZA	FORK ASSY., L. FR. *A-01*	1		
WINKER BUZZER ASSY.	0.3	12	51521-410-003ZA	CASE, L. FR. FORK BOTTOM	1		
8 x 50 STUD BOLT	0.2	13	51602-410-000	COVER, R. FR. FORK	1		
* Add 0.1		14	51602-410-610	COVER, R. FR. FORK	1	1107	A,CM,DK,DM,U
• FRONT CUSHION SPRING		15	51606-410-000	COVER, L. FR. FORK	1		E,ED,F,S
FRONT AXLE HOLDER	0.1	16	51606-410-610	COVER, L. FR. FORK	1	1107	A,CM,DK,DM,U
• FRONT FORK BOLT		17	51622-323-000	CUSHION B, FR. FORK COVER	2		E,ED,F,S
		18	51634-410-003	HOLDER, FR. FORK AXLE	2		
		19	61315-340-000	CUSHION, HEADLIGHT STAY	2		
		20	90116-283-010	BOLT, SOCKET, 8MM	2		
		21	90123-300-000	BOLT, FR. FORK	2		
		22	90543-273-000	PACKING, FR. FORK DRAIN COCK	2		
		23	90544-283-000	WASHER, SPECIAL, 8MM	2		
		24	91254-400-771	DUST SEAL, 35MM	2		

1978.09.10

# F-7

## Front fork

Courtesy of  Honda4Fun  
www.hondafour.com www.honda4fun.com



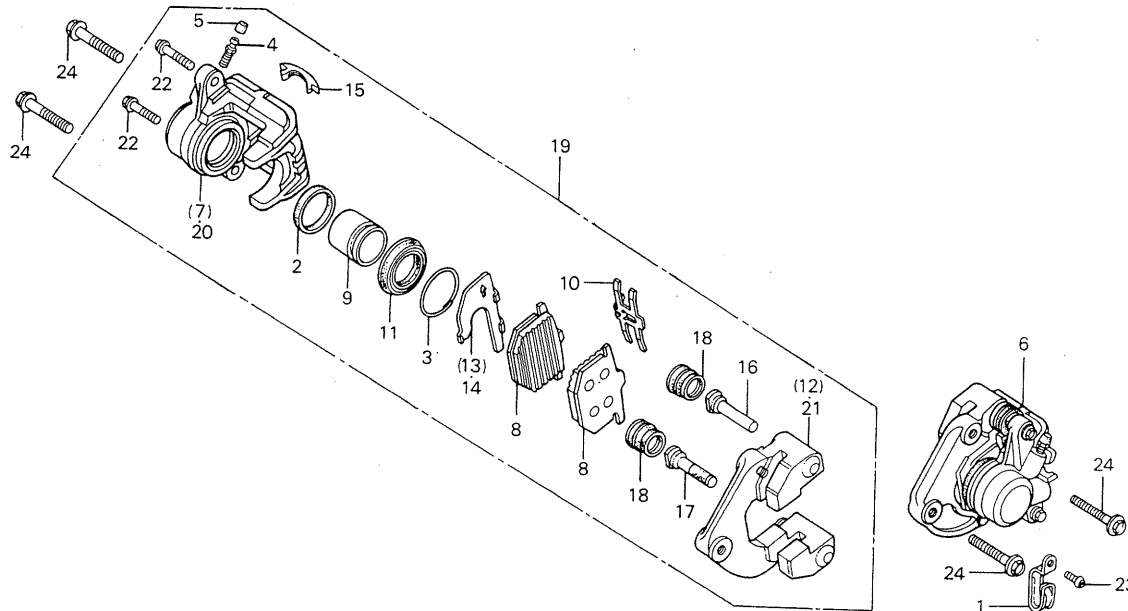
B410-13

Service item	F.R.T.	Ref. No.	Part No.	Description	Reqd. No.		Serial No.	Area code
					CB750	F2 F3		
		23	91255-300-033	OIL SEAL, 35X48X11	2	2	<i>Kit piece HP-176</i>	
		24	92000-06010	BOLT, HEX., 6X10	2	2		
		25	92700-08050-3B	BOLT, STUD, 8X50	4	4		
		26	94030-08000	NUT, HEX., 8MM	4	4		
		27	94101-08000	WASHER, PLAIN, 8MM	4	4		
		28	94111-08000	WASHER, SPRING, 8MM	4	4		
		29	94608-50000	O-RING, 23X2.8	2	2		

1578.09.10

# F-8

## Front brake caliper



B410-14

Service item	F.R.T.	Ref. No.	Part No.	Description	Reqd. No. CB750 F2 F3	Serial No.	Area code
CALIPER/PISTON	0.4	1	32906-049-000	CLIP, HIGH TENSION CORD	1 1		
* One motorcycle 0.6		2	43209-371-006	SEAL, PISTON	2 2		
FRONT CALIPER ASSY.	0.3	3	43218-371-006	CLIP, DUST COVER	2 2		
* One motorcycle 0.4		4	43352-568-003	VALVE, BLEEDER	2 2		
FRONT BRACKET	0.2	5	43353-548-003	CAP, BLEED SCREW	2 2		
PAD COMP./PAD SPRING	0.1	6	45100-410-006	CALIPER ASSY., L. FR. (NISSHIN)	1 1		
		7	45101-410-006	CALIPER, L. (NISSHIN)	1 1		
		8	45105-410-006	PAD COMP. (NISSHIN)	4		
			45105-410-016	PAD COMP.	4		
		9	45107-410-006	PISTON (NISSHIN)	2 2	2206701	2206700
		10	45108-410-006	SPRING, PAD (NISSHIN)	2 2		
		11	45109-371-006	BOOT, PISTON	2 2		
		12	45110-410-006	BRACKET, L. FR. (NISSHIN)	1 1		
		13	45114-371-006	SHIM A, PAD	1 1		
		14	45116-371-006	SHIM B, PAD	1 1		
		15	45119-371-000	CAP, INDICATOR	2 2		
		16	45131-410-006	PIN A (NISSHIN)	2 2		
		17	45132-410-006	PIN B (NISSHIN)	2 2		
		18	45133-371-006	COVER, DUST	4 4		
		19	45200-410-006	CALIPER ASSY., R. FR. (NISSHIN)	1 1		
		20	45201-410-006	CALIPER, R. (NISSHIN)	1 1		
		21	45210-410-006	BRACKET, R. FR.	1 1		
		22	90116-410-006	BOLT, 8X25 (NISSHIN)	4 4		

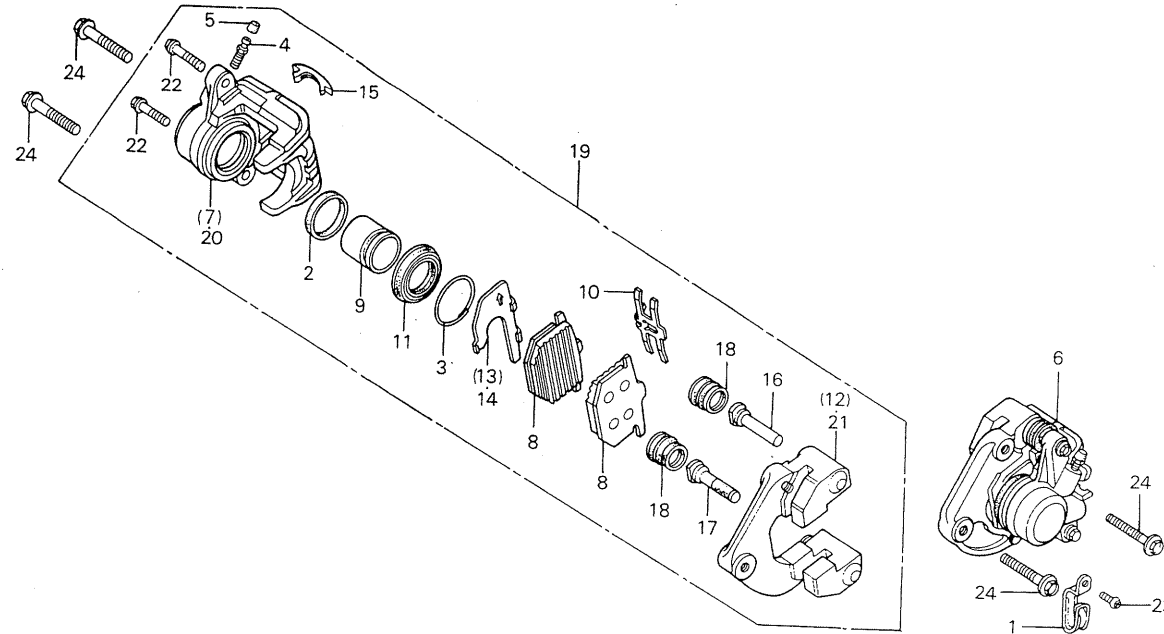
1978.09.10



# F-8

## Front brake caliper

Courtesy of  Honda4Fun  
www.hondafour.com www.honda4fun.com



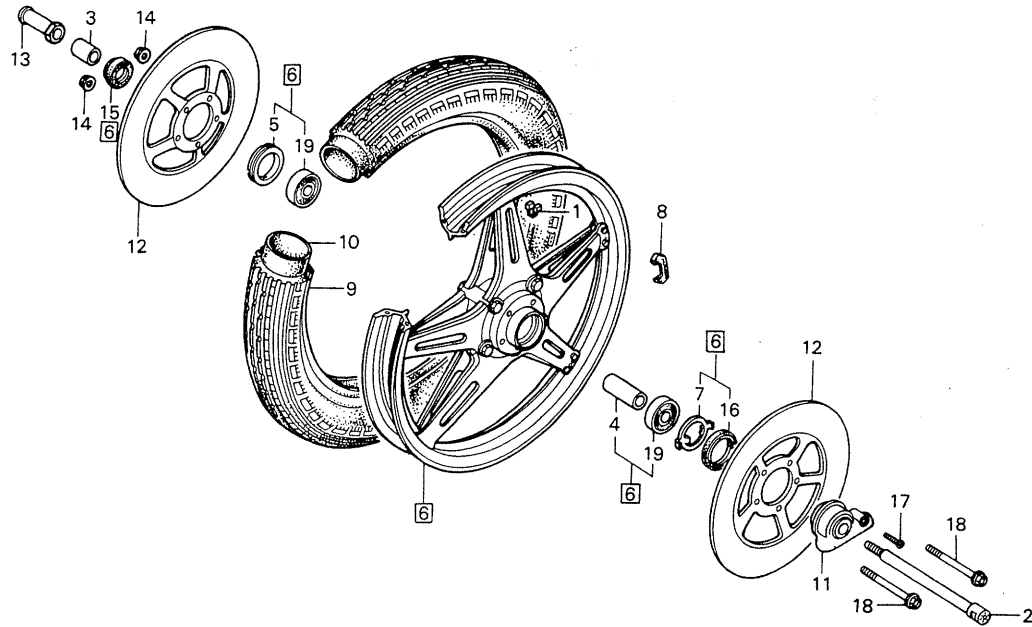
B410-14

Service item	F.R.T.	Ref. No.	Part No.	Description	Reqd. No.		Serial No.	Area code
					CB750	F2 F3		
		23	93500-06008	SCREW, PAN, 6X8	1	1		
		24	95800-10032-00	BOLT, FLANGE, 10X32	4	4		

1978.09.10

F-9

Front wheel • Disk



B410-15

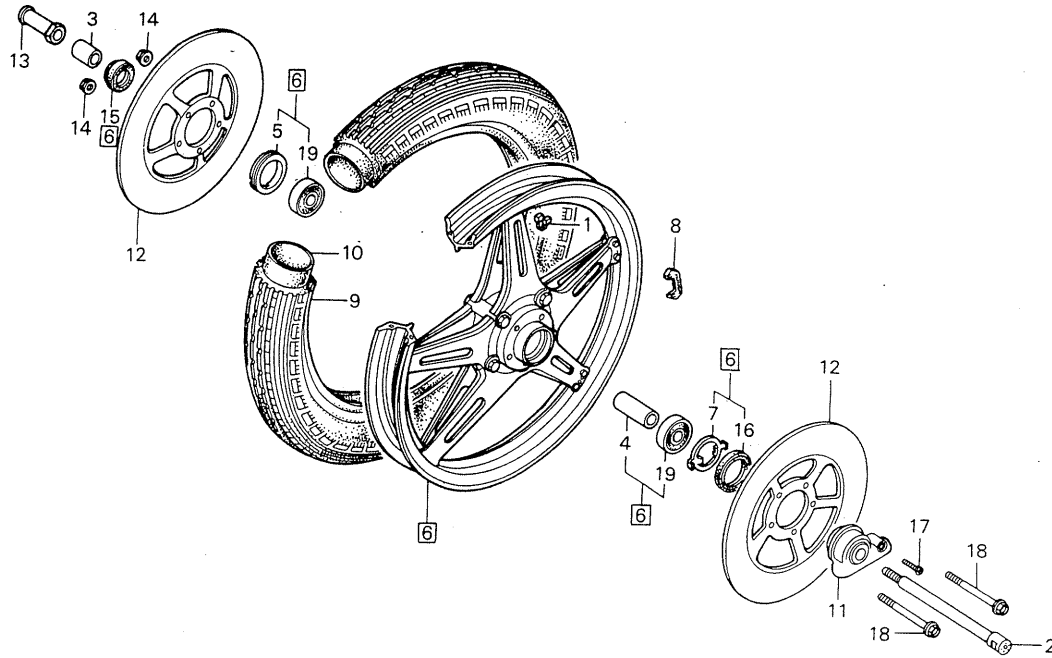
Service item	F.R.T.	Ref. No.	Part No.	Description	Reqd. No. CB750 F2 F3	Serial No.	Area code
FRONT SUB WHEEL ASSY.	1.0	1	42705-410-000	WEIGHT, BALANCE (20G)	N	N	
FRONT WHEEL TIRE/TUBE	0.9		42706-410-000	WEIGHT, BALANCE (30G)	N	N	
BALANCER	0.8	2	44301-393-000	AXLE, FR. WHEEL	1	1	
FRONT WHEEL DISTANCE COLLAR/ BALL BEARING	0.6	3	44311-410-000	COLLAR, FR. WHEEL SIDE	1	1	
		4	44620-410-000	COLLAR, FR. WHEEL DISTANCE	1	1	
		5	44643-300-000	RETAINER, FR. WHEEL BEARING	1	1	
* Add 0.1 at ball bearing							
FRONT WHEEL BEARING RETAINER	0.5	6	44660-410-670	WHEEL SUB ASSY., FR. <i>6300</i>	1	1	<i>X7080</i>
• GEAR BOX RETAINER/DUST SEAL		7	44680-410-000	RETAINER, GEAR BOX	1	1	
FRONT BRAKE DISK (L. side)	0.4	8	44703-410-003	MARK, FR. SPOKE PLATE	10	10	
FRONT BRAKE DISK (R. side)	0.3	9	44711-341-003	TIRE, FR. WHEEL (3.25H19) (BS)	1		DK,DM,E,ED,F,G,U
• SPEEDOMETER GEAR BOX/WHEEL AXLE			44711-341-004	TIRE, FR. WHEEL (3,25H19)	1		DK,DM,E,ED,F,G,U
			44711-341-671	TIRE, FR. WHEEL (3.25H19) (DUNLOP)	1	1	A,CM
			44711-341-672	TIRE, FR. WHEEL (3.25H19) (B.S)	1	1	A,CM
			44712-300-003	TUBE, TIRE (3.25/3.50-19 BS)	1	1	
			44712-300-004	TUBE, TIRE (3.25/3.50-19) (DUNLOP)	1	1	
		11	44800-410-003	BOX ASSY., SPEEDOMETER GEAR	1	1	
			44800-425-013	BOX ASSY., SPEEDOMETER GEAR	1	1	
		12	45251-410-000	DISK, FR. BRAKE <i>3639</i>	2	2	
		13	90305-333-000	NUT, AXLE, 12MM	1	1	
		14	90309-357-000	NUT, HEX., 8MM	5	5	
		15	91252-300-003	DUST SEAL, 22X36X8	1	1	
		16	91258-410-003	DUST SEAL, 40X50X5	1	1	1014254 DK,DM,E,ED,F,G,U
					1		A,CM
					1		2256515
					1		

1978.09.10

# F-9

## Front wheel - Disk

Courtesy of  Honda4Fun  
www.hondafour.com www.honda4fun.com



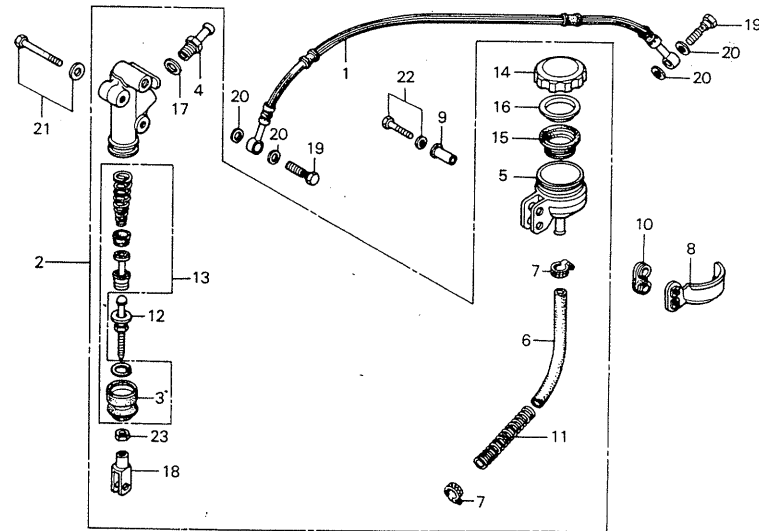
B410-15

Service item	F.R.T.	Ref. No.	Part No.	Description	Reqd. No. CB750 F2 F3	Serial No.	Area code
			91258-410-006	DUST SEAL, 40X50X5	1 1		
			91258-410-013	DUST SEAL, 40X50X5	1 1	1014255 2256516	DK, DM, E, ED, F, S, U
		17	93700-05016-0A	SCREW, OVAL, 5X16	1 1		
		18	95812-08100-00	BOLT, FLANGE, 8X100	5 5		
		19	96140-63020-10	BEARING, RADIAL BALL, 6302U	2 2		

1978.09.10

# F-10

## Rear master cylinder



B410-16

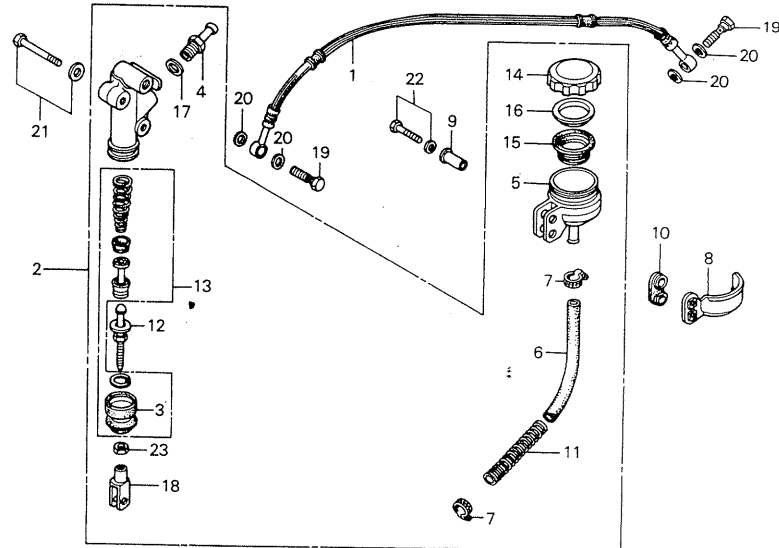
Service item	F.R.T.	Ref. No.	Part No.	Description	Reqd. No. CB750 F2 E3	Serial No.	Area code
REAR MASTER CYLINDER SET	0.6	1	43310-410-003	HOSE, RR. BRAKE (NICHIRIN)	376 1 1		
REAR MASTER CYLINDER ASSY.	0.5	2	43500-410-621	CYLINDER ASSY., RR. MASTER	232 1 1	1011640	DK,DM,E,ED,F,G
REAR BRAKE HOSE	0.4		43500-410-651	CYLINDER ASSY., RR. MASTER	1	1011640	U
MASTER CYLINDER OIL CUP	0.3		43500-410-671	CYLINDER ASSY., RR. MASTER	1	2213679	A,CM
• MASTER CYLINDER OIL HOSE			43500-410-622	CYLINDER ASSY., RR. MASTER	1	1011641	DK,DM,E,ED,F,G
MASTER CYLINDER OIL CUP COVER	0.1		43500-410-652	CYLINDER ASSY., RR. MASTER	1	1011641	U
		3	43500-410-672	CYLINDER ASSY., RR. MASTER	1	2213680	1011640 DK,DM,E,ED,F,G,U
			43504-371-003	BOOT, MASTER CYLINDER	1		A,CM
			43504-371-013	BOOT, MASTER CYLINDER	1	1011641	2252910 DK,DM,E,ED,F,G,U
		4	43505-410-003	CONNECTOR, MASTER CYLINDER	1	2252911	
		5	43511-410-003	CUP, MASTER CYLINDER OIL	1		
		6	43512-410-003	HOSE, MASTER CYLINDER OIL	1		
		7	43513-410-003	CLIP, MASTER CYLINDER OIL CUP	2		
		8	43514-410-000	COVER, MASTER CYLINDER OIL CUP	1		
		9	43515-410-000	COLLAR, MASTER CYLINDER OIL CUP	2		
		10	43516-410-000	RUBBER, MASTER CYLINDER MOUNT	1		
		11	43525-410-000	GUARD, MASTER CYLINDER OIL HOSE	1		
		12	43530-392-003	ROD COMP., PUSH (NISSHIN)	1		
		13	43530-410-305	CYLINDER SET, RR. MASTER	1		
		14	45513-341-671	CAP, OIL CUP	1		DK,DM,E,ED,F,G
			45513-341-771	CAP, OIL CUP	1		A,CM
			45513-371-651	CAP, OIL CUP	1		U

1978.09.10

# F-10

## Rear master cylinder

Courtesy of  Honda4Fun  
www.hondafour.com www.honda4fun.com



B410-16

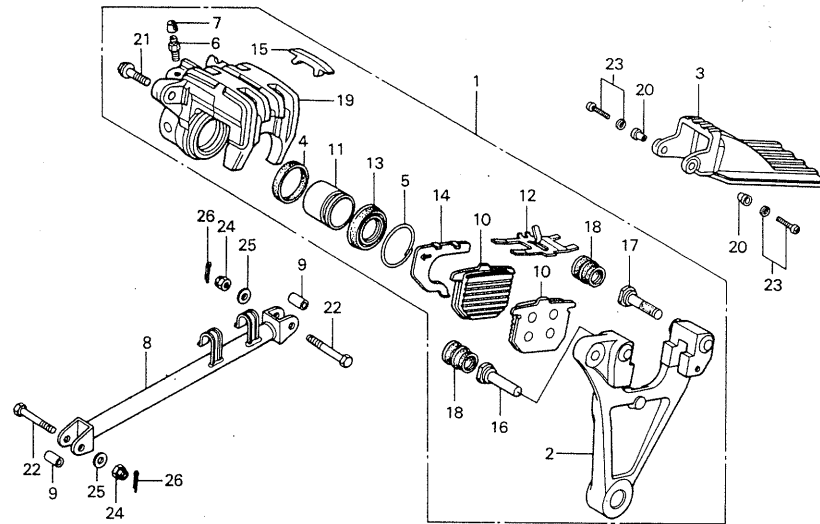
Service item	F.R.T.	Ref. No.	Part No.	Description	Reqd. No. CB750 F2, F3	Serial No.	Area code
		15	45520-300-000	DIAPHRAGM	1	1	
		16	45521-300-010	PLATE, DIAPHRAGM	1	1	
		17	46402-642-910	GASKET	1	1	
		18	46504-371-000	JOINT, BRAKE ROD	1	1	
		19	90145-300-000	BOLT, OIL	2	2	
		20	90545-300-000	WASHER, OIL BOLT	4	4	
		21	93481-08045-00	BOLT-WASHER, 8X45	2	2	
		22	93482-06025-00	BOLT-WASHER, 6X25	2	2	
		23	94001-08000-0S	NUT, HEX., 8MM	1	1	

1978.09.10



# F-11

## Rear brake caliper



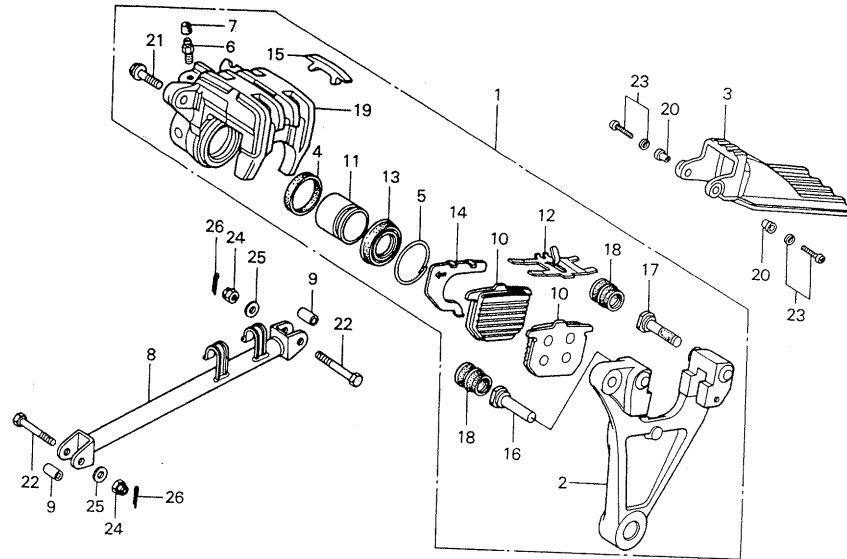
B410-17

Service item	F.R.T.	Ref. No.	Part No.	Description	Reqd. No. CB750 F2 F3	Serial No.	Area code
REAR BRACKET	0.5	1	43100-410-006	CALIPER ASSY., RR. (NISSHIN)	1	1011570	DK,DM,E,ED,F,G,U
REAR CALIPER ASSY.	0.4				1		A,CM
TORQUE LINK COMP.	0.3		43100-410-016	CALIPER ASSY., RR. (NISSHIN)	1	2206141	2252770
REAR CALIPER/PISTON	0.3		43100-410-026	CALIPER ASSY., RR. (NISSHIN)	1	1011571	DK,DM,E,ED,F,G,U
PAD COMP./PAD SPRING	0.1				1	2252771	
• REAR DISK COVER		2	43110-410-006	BRACKET, RR.	1		
		3	43140-410-000	COVER, RR. DISK <i>ASA ✓</i>	1		
		4	43209-371-006	SEAL, PISTON	1		
		5	43218-371-006	CLIP, DUST COVER	1		
		6	43352-568-003	VALVE, BLEEDER	1		
		7	43353-548-003	CAP, BLEED SCREW	1		
		8	43431-410-000	LINK COMP., TORQUE	1		
		9	43435-392-000	COLLAR, LINK	2		
		10	45105-410-006	PAD COMP. (NISSHIN)	2	1011570	DK,DM,E,ED,F,G,U
					2		A,CM
			45105-410-016	PAD COMP.	2	2206141	2252770
			45105-410-026	PAD COMP. (NISSHIN)	2	1011571	DK,DM,E,ED,F,G,U
					2	2252771	
		11	45107-410-006	PISTON (NISSHIN)	1		
		12	45108-410-006	SPRING, PAD (NISSHIN)	1		
		13	45109-371-006	BOOT, PISTON	1		
		14	45116-371-006	SHIM B, PAD	1		
		15	45119-371-000	CAP, INDICATOR	1		
		16	45131-410-006	PIN A (NISSHIN)	1		
		17	45132-410-006	PIN B (NISSHIN)	1		

# F-11

## Rear brake caliper

Courtesy of  Honda4Fun  
www.hondafour.com www.honda4fun.com



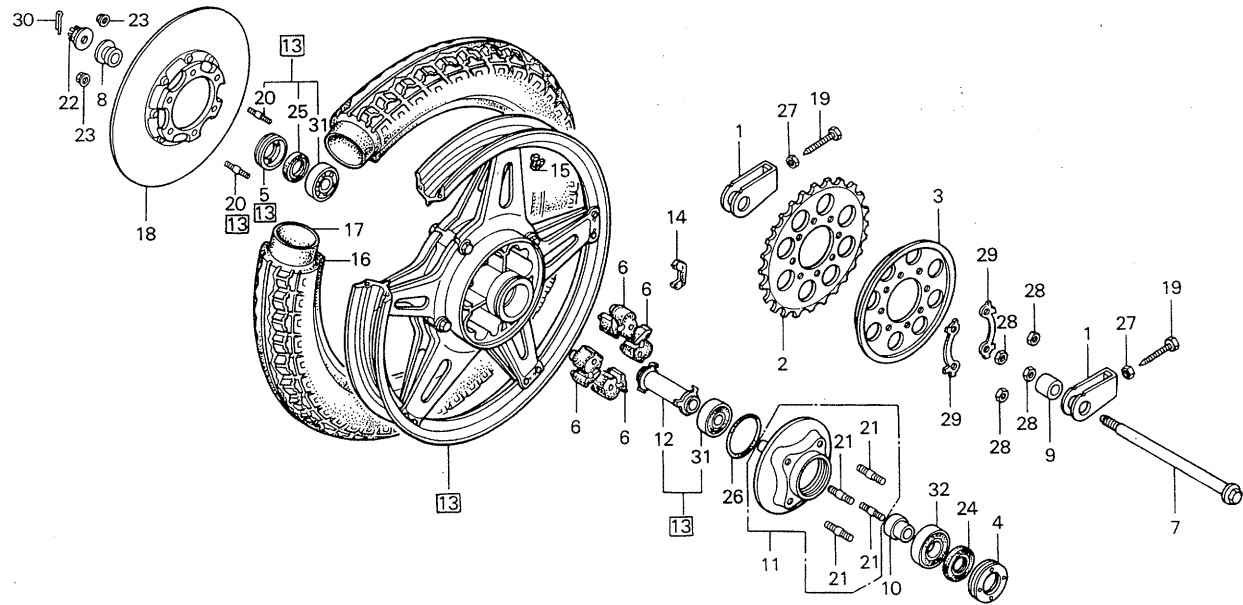
B410-17

Service item	F.R.T.	Ref. No.	Part No.	Description	Reqd. No.		Serial No.	Area code
					CB750	F2 F3		
		18	45133-371-006	COVER, DUST	2	2		
		19	45201-410-006	CALIPER, R. (NISSHIN)	1	1		
		20	61304-292-000	COLLAR, HEADLIGHT SETTING	2	2		
		21	90116-410-006	BOLT, 8X25 (NISSHIN)	2	2		
		22	90124-392-000	BOLT, RR. BRAKE STOPPER ARM	2	2		
		23	93892-05016-07	SCREW-WASHER, 5X16	2	2		
		24	94011-08000-05	NUT, CASTLE, 8MM	2	2		
		25	94101-08000	WASHER, PLAIN, 8MM	2	2		
		26	94201-20180	PIN, SPLIT, 2.0X18	2	2		

1978.09.10

# F-12

## Rear wheel · Disk



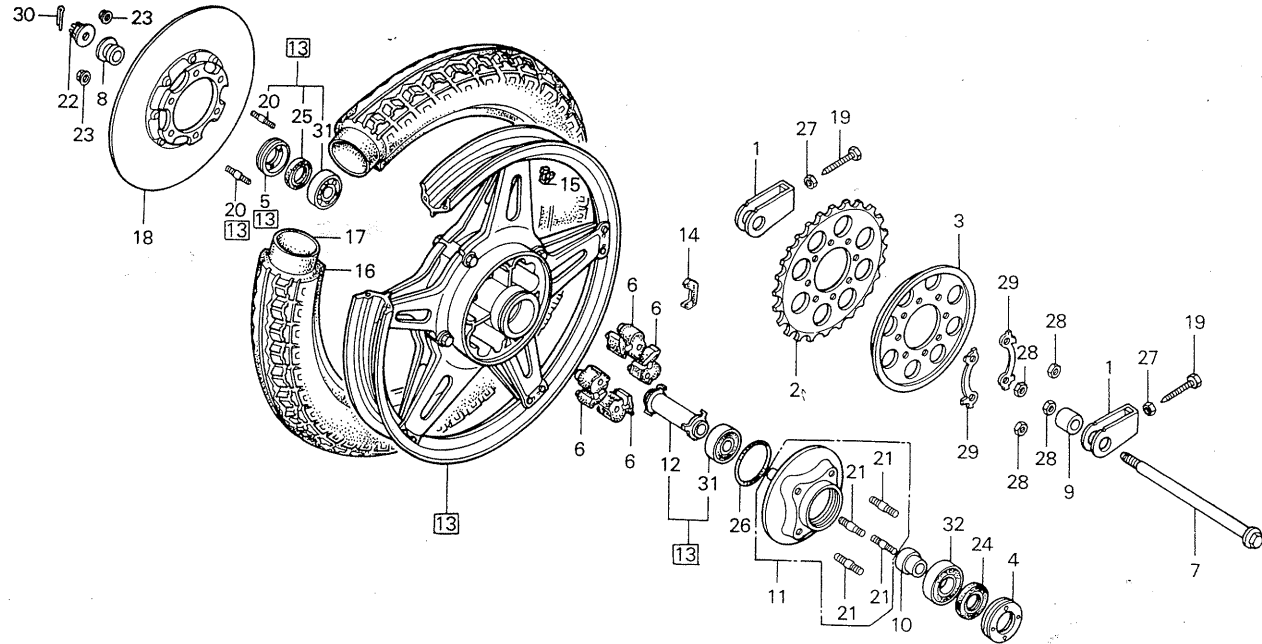
B410-18

Service item	F.R.T.	Ref. No.	Part No.	Description	Reqd. No. CB750 F2 F3	Serial No.	Area code
REAR WHEEL SUB ASSY.	1.2	1	40543-405-000	ADJUSTER, DRIVE CHAIN	2 2		
REAR WHEEL TIRE/TUBE	1.1	2	<del>41201-410-000</del>	<del>SPROCKET, FINAL DRIVEN (43T)</del>	<del>1 1</del>		A, CM, DK, DM, E, F, S, U
FINAL DRIVEN FLANGE	1.0	2	41201-405-000	SPROCKET, FINAL DRIVEN (41T)	1 1		ED
BALANCER	0.9	3	41211-405-000	PLATE, SPROCKET SIDE	1 1		
REAR AXLE DISTANCE COLLAR/ BALL BEARING	0.7	4	41231-283-000	RETAINER, RR. WHEEL BEARING	1 1		
		5	41231-286-000	RETAINER, RR. WHEEL BEARING	1 1		
* Add 0.1 at ball bearing		6	41241-300-050	DAMPER, RR. WHEEL	4 4		
12 x 54 STUD BOLT	0.6	7	42301-393-000	AXLE, RR. WHEEL	1 1		
* Add 0.1		8	42311-357-010	COLLAR, RR. WHEEL SIDE	1 1		
REAR WHEEL BEARING RETAINER	0.6	9	42311-392-000	COLLAR, RR. WHEEL SIDE	1 1		
• REAR DAMPER		10	42605-393-000	SLEEVE, RR. AXLE	1 1		
* One motorcycle 0.7		11	42610-405-000	FLANGE COMP., FINAL DRIVEN	1 1		
• REAR BRAKE DISK		12	42620-392-000	COLLAR, RR. AXLE DISTANCE	1 1		
FINAL DRIVEN SPROCKET	0.5	13	42660-410-670	WHEEL SUB ASSY., RR. <i>6350</i>	1 1		
• 8 x 45 STUD BOLT		14	42703-410-003	MARK, RR. SPOKE PLATE	10 10		
* Add 0.1 at stud bolt		15	42705-410-000	WEIGHT, BALANCE (20G)	N N		
REAR WHEEL AXLE	0.4		42706-410-000	WEIGHT, BALANCE (30G)	N N		
		16	42711-341-003	TIRE, RR. WHEEL (4.00H18. BS)	1		DK, DM, E, ED, F, S, U
			42711-341-004	TIRE, RR. WHEEL (4.00H18) (DUNLOP)	1		DK, DM, E, ED, F, S, U
			42711-341-671	TIRE, RR. WHEEL (4.00H18) (B. S.)	1 1		A, CM
			42711-341-672	TIRE, RR. WHEEL (4.00H18) (DUNLOP)	1 1		A, CM
		17	42712-300-003	TUBE, TIRE (4.00-18 BS)	1 1		
			42712-300-004	TUBE, TIRE (3.75/4.00-18) (DUNLOP)	1 1		

# F-12

## Rear wheel · Disk

Courtesy of  Honda4Fun  
www.hondafour.com www.honda4fun.com



B410-18

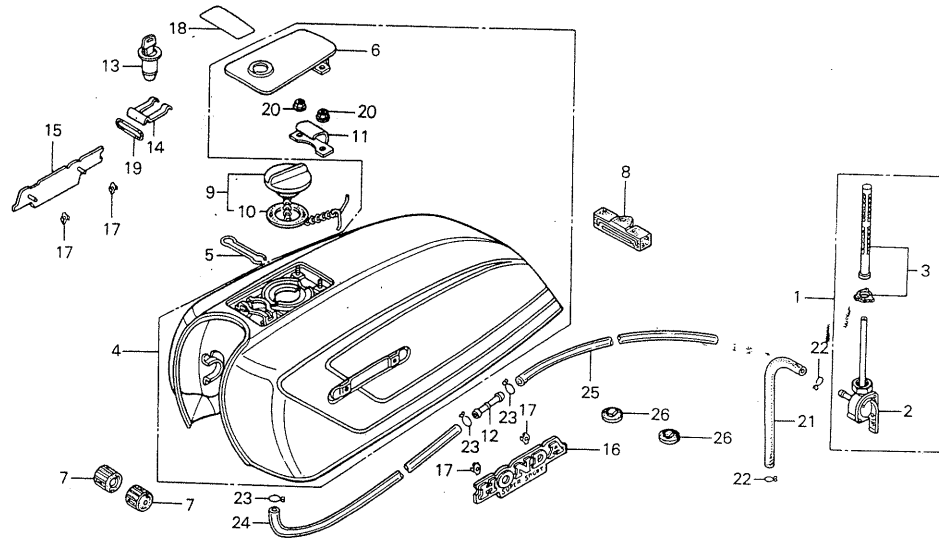
Service item	F.R.T.	Ref. No.	Part No.	Description	Reqd. No. CB750 F2 F3	Serial No.	Area code
		18	43120-371-000	DISK COMP., RR. BRAKE	3550. ✓ 1	1	
		19	90119-300-000	BOLT, CHAIN ADJUSTING	2	2	
		20	90125-329-010	BOLT, STUD, 8X45	6	6	
		21	90128-341-000	BOLT, STUD, 12X54	4	4	
		22	90305-393-000	NUT, AXLE, 18MM	1	1	
		23	90309-357-000	NUT, HEX., 8MM	6	6	
		24	90753-283-000	OIL SEAL, 34X55X9	1	1	
		25	91253-286-013	DUST SEAL, 30X45X9.5	1	1	
		26	91258-300-013	O-RING, 68X2.6	1	1	
		27	94002-08000-05	NUT, HEX., 8MM	2	2	
		28	94030-12000	NUT, HEX., 12MM	4	4	
		29	94108-17000	WASHER A7, TONGUED	2	2	
		30	94201-40300	PIN, SPLIT, 4.0X30	1	1	
		31	96140-63040-10	BEARING, RADIAL BALL, 6304U	2	2	
		32	96140-63050-10	BEARING, RADIAL BALL, 6305U	1	1	

1978.09.10



# F-13

## Fuel tank - Cock



B410-19

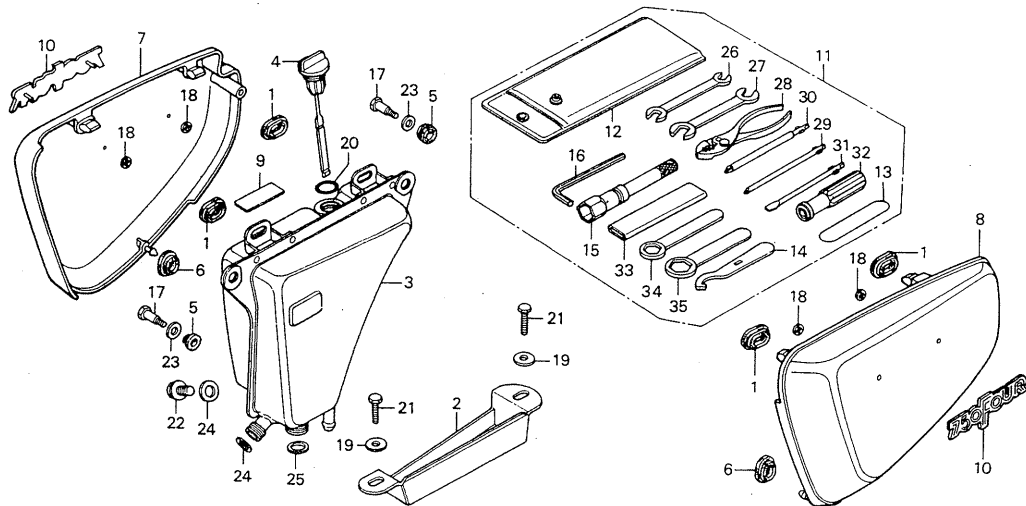
Service item	F.R.T.	Ref. No.	Part No.	Description	Reqd. No. CB750 F2 F3	Serial No.	Area code
		11	17735-390-000	SPRING, FUEL FILLER LID	1	1	
		12	17738-393-000	JOINT, DRAIN TUBE CONNECTING	1	1	
		13	37220-390-007	LOCK, FILLER LID (HONDA LOCK)	1	1	
		14	37221-390-000	SPRING, LOCK SET	1	1	
		15	87121-410-000	EMBLEM, R. FUEL TANK <i>223 266</i>	1	1	
		16	87122-410-000	EMBLEM, L. FUEL TANK	1	1	
		17	87311-516-000	NUT, EMBLEM CLAMP	4	4	
		18	87560-375-680A	MARK, DRIVE CAUTION	1	1	
		19	91354-702-000	O-RING, 23MM	1	1	
		20	94050-06080	NUT, FLANGE, 6MM	2	2	
		21	95001-55160-40	TUBE, FUEL, 5.3X160	1	1	
		22	95002-02100	CLIP B10, TUBE	2	2	
		23	95002-02130	CLIP B12.5, TUBE	3	3	
		24	95003-27055-31	TUBE, VINYL, 9X13X550	1	1	
		25	95003-27067-31	TUBE, VINYL, 9X13X670	1	1	
		26	95011-63000	RUBBER C, STAND STOPPER	2	2	

1978.09.10



# F-14

## Side cover • Oil tank • Tool



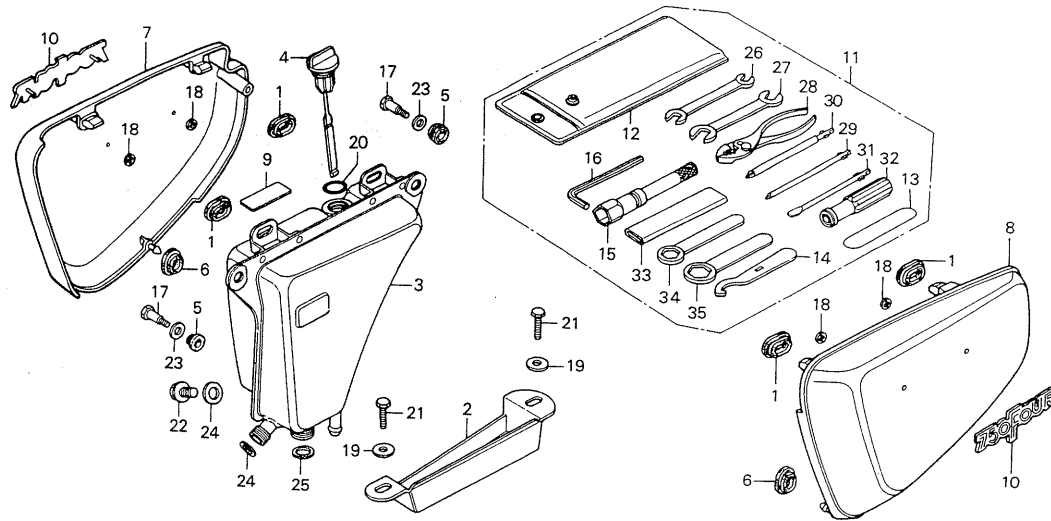
B410-20

Service item	F.R.T.	Ref. No.	Part No.	Description	Reqd. No. CB750 F2 F3	Serial No.	Area code
OIL TANK COMP.	0.6	1	17247-303-000	GROMMET A, AIR CLEANER CASE	4	4	
TOOL TRAY	0.1	2	50341-392-000	TRAY, TOOL	1	1	
• SIDE COVER/EMBLEM		3	55100-392-000	TANK COMP., OIL	1	1	
* One or all at side cover and emblem		4	55105-392-000	GAUGE, OIL LEVEL	1	1	
		5	55106-300-000	RUBBER, OIL TANK	3	3	
		6	83551-300-000	GROMMET, AIR CLEANER CASE	2	2	
		7	83600-392-000ZB	COVER, R. SIDE *R-8C-S* <del>888</del>	1	1	1029
			83600-392-000ZC	COVER, R. SIDE *PB-7C*	1	1	
			83600-392-000ZD	COVER, R. SIDE *NH-1*	1	1	
		8	83700-410-000ZA	COVER, L. SIDE *R-8C-S* <del>865</del>	1	1	
			83700-410-000ZB	COVER, L. SIDE *PB-7C*	1	1	
			83700-410-000ZC	COVER, L. SIDE *NH-1*	1	1	
		9	87125-392-771	PLATE, OIL CAUTION	1	1	
		10	87127-392-000	EMBLEM, SIDE COVER - <del>48</del> <del>28</del>	2	2	
			87127-410-770	EMBLEM, SIDE COVER	2	2	
		11	89010-410-000	TOOL SET <del>696</del> ✓	1	1	
		12	89101-371-013	BAG, TOOL	1	1	
		13	89103-371-000	GAUGE, FEELER, 0.7	1	1	
		14	89215-404-670	SPANNER, PIN	1	1	
		15	89216-323-000	WRENCH, SPARK PLUG	1	1	
		16	89221-371-000	WRENCH, HEX., 6MM	1	1	
		17	90141-300-000	BOLT A, 6MM	3	3	
		18	90313-512-000	NUT, PUSH, 3MM	4	4	
		19	90512-300-000	WASHER, 6X20	2	2	
		20	91354-702-000	O-RING, 23MM	1	1	
		21	92000-06016	BOLT, HEX., 6X16	2	2	

1978.09.10

# F-14

## Side cover • Oil tank • Tool



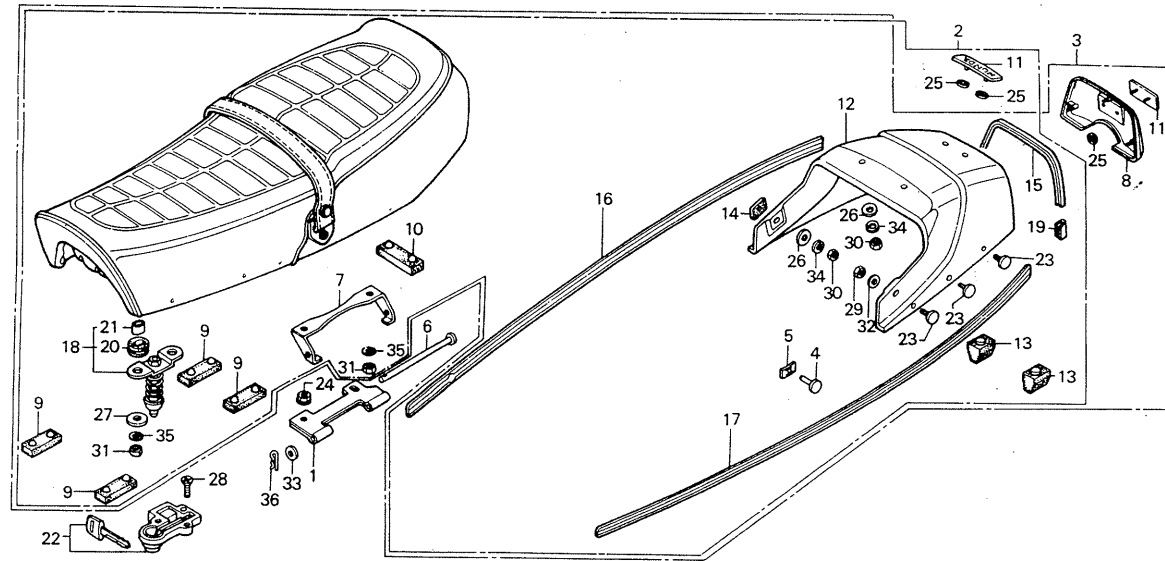
B410-20

Service item	F.R.T.	Ref. No.	Part No.	Description	Reqd. No. CB750 F2 F3	Serial No.	Area code
		22	92800-12000	BOLT, DRAIN PLUG, 12MM	1	1	
		23	94101-08000	WASHER, PLAIN, 8MM	3	3	
		24	94109-12000	WASHER, DRAIN PLUG, 12MM	2	2	
		25	94109-14000	WASHER, DRAIN PLUG, 14MM	1	1	
		26	99001-10120	SPANNER, 10X12	1	1	
		27	99001-14170	SPANNER, 14X17	1	1	
		28	99002-13500	PLIERS, 135	1	1	
		29	99003-10000	DRIVER 2, PLUS SCREW	1	1	
		30	99003-20000	DRIVER 3, PLUS SCREW	1	1	
		31	99003-30000	DRIVER 2, MINUS SCREW	1	1	
		32	99003-50000	GRIP	1	1	
		33	99006-12000	HANDLE, EYE WRENCH, 120MM	1	1	
		34	99006-22000	WRENCH, EYE, 22MM	1	1	
		35	99006-24000	WRENCH, EYE, 24MM	1	1	

1978.09.10

# F-15

## Seat

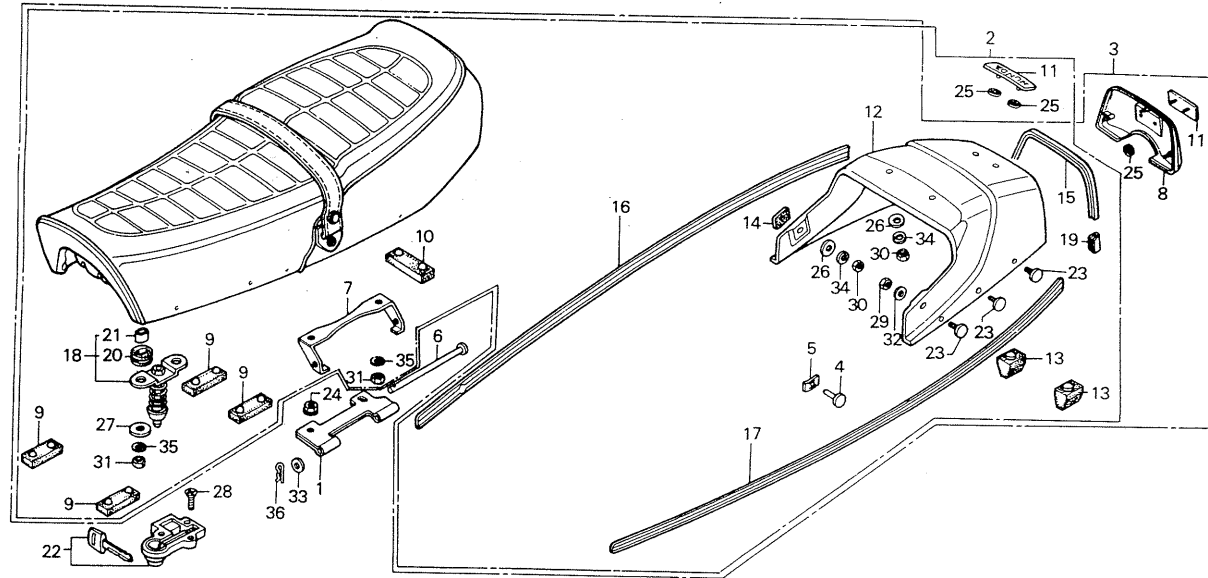


B410-21B

Service item	F.R.T.	Ref. No.	Part No.	Description	Reqd. No. CB750 F2 F3	Serial No.	Area code
REAR SEAT COVER	0.3	1	50223-392-000	PLATE A, SEAT HINSE	1 1		
SEAT ASSY. and its related parts	0.1	2	77100-410-000ZA	SEAT ASSY., DOUBLE *R-8C-S*	1 1		A,CM,DK,DM,U
• SEAT LOCK ASSY.			77100-410-000ZB	SEAT ASSY., DOUBLE *PB-7C*	1 1		A,CM,DK,DM,U
• SEAT LOCK BAR ASSY.			77100-410-000ZC	SEAT ASSY., DOUBLE *NH-1*	1 1		A,CM,DK,DM,U
			77100-410-770ZA	SEAT ASSY., DOUBLE *R-8C-S*	1 1		
			77100-410-770ZB	SEAT ASSY., DOUBLE *NH-1*	1 1		
		3	77100-410-610ZA	SEAT ASSY., DOUBLE *R-8C-S* <i>4194</i>	1 1		E,ED,F,3
			77100-410-610ZB	SEAT ASSY., DOUBLE *PB-7C*	1 1		E,ED,F,3
			77100-410-610ZC	SEAT ASSY., DOUBLE *NH-1*	1 1		E,ED,F,3
		4	77101-392-000	RIVET, 4X18	6 6		
		5	77102-392-000	WASHER, RIVET	6 6		
		6	77103-369-000	BAR, SEAT HINSE	1 1		
		7	77201-392-000	HINGE, SEAT	1 1		
		8	77202-410-610ZA	SHIELD, RR. SEAT COVER *A-01* <i>133</i>	1 1		E,ED,F,6
		9	77204-312-000	RUBBER, SEAT SETTING	4 4		
		10	77205-286-000	RUBBER B, SEAT SETTING	1 1		
		11	77209-410-000	EMBLEM, RR. COVER <i>119</i>	1 1		
		12	77210-410-000ZA	COVER, RR. SEAT *R-8C-S*	1 1		A,CM,DK,DM,U
			77210-410-000ZB	COVER, RR. SEAT *PB-7C*	1 1		A,CM,DK,DM,U
			77210-410-000ZC	COVER, RR. SEAT *NH-1*	1 1		A,CM,DK,DM,U
			77210-410-610ZA	COVER, RR. SEAT *R-8C-S* <i>911</i>	1 1		E,ED,F,3
			77210-410-610ZB	COVER, RR. SEAT *PB-7C*	1 1		E,ED,F,3
			77210-410-610ZC	COVER, RR. SEAT *NH-1*	1 1		E,ED,F,3
		13	77211-410-000	RUBBER, RR. COVER SETTING	2 2		
		14	77212-392-000	RUBBER, SEAT SETTING	2 2		
		15	77215-392-000	MOLE, RR. COVER <i>106</i>	1 1		
		16	77216-392-010ZF	MOLE, R. RR. SEAT *R-8C-S* <i>263</i>	1 1		

# F-15

## Seat



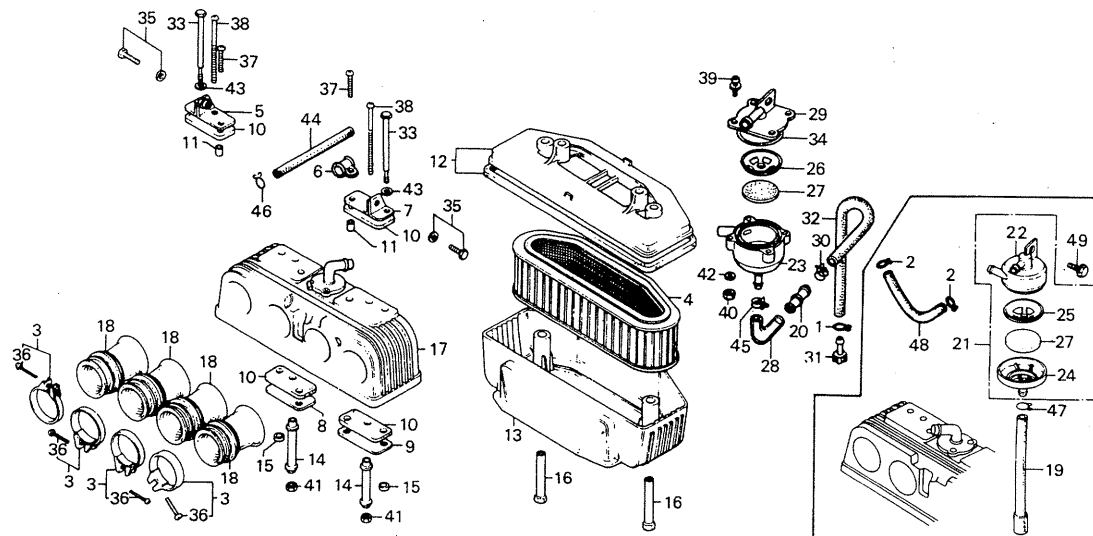
B410-21B

Service item	F.R.T.	Ref. No.	Part No.	Description	Reqd. No. CB750 F2 F3	Serial No.	Area code
			77216-392-010ZG	MOLE, R. RR. SEAT *PB-7C*	1		
			77216-392-010ZH	MOLE, R. RR. SEAT *NH-1*	1		
		17	77217-392-010ZF	MOLE, L. RR. SEAT *R-8C-S* 263 ✓	1	1	
			77217-392-010ZG	MOLE, L. RR. SEAT *PB-7C*	1		
			77217-392-010ZH	MOLE, L. RR. SEAT *NH-1*	1	1	
		18	77220-340-011	BAR ASSY., SEAT LOCK	1	1	
		19	77226-392-300	GARNISH, R. SEAT	2	2	
		20	77228-340-001	RUBBER, SEAT LOCK BAR CUSHION	2	2	
		21	77229-340-001	COLLAR, SEAT LOCK BAR	2	2	
		22	77230-399-007	LOCK ASSY., SEAT (HONDA LOCK)	1	1	
		23	90012-392-000	BOLT, HEX., 4X9	6	6	
		24	90145-634-670	NUT, COMBINATION BRACKET	2	2	
		25	90313-512-000	NUT, PUSH, 3MM	2	2	
					5		A, CM, DK, DP, U E, ED, F, J
		26	90483-034-000	WASHER, STOPPER	4	4	
		27	90514-700-000	WASHER, TANK COLLAR LOCKING	2	2	
		28	93600-06016-07	SCREW, FLAT, 6X16	2	2	
		29	94001-04000-05	NUT, HEX., 4MM	6	6	
		30	94001-05000-05	NUT, HEX., 5MM	4	4	
		31	94001-06000	NUT, HEX., 6MM	4	4	
		32	94101-04000	WASHER, PLAIN, 4MM	6	6	
		33	94101-06000	WASHER, PLAIN, 6MM	1	1	
		34	94111-05000	WASHER, SPRING, 5MM	4	4	
		35	94111-06000	WASHER, SPRING, 6MM	4	4	
		36	94251-06000	PIN, LOCK, 6MM	1	1	

1978.09.10

# F-16

## Air cleaner



B410-22A

Service item	F.R.T.	Ref. No.	Part No.	Description	Reqd. No. CB750 F2 F3	Serial No.	Area code
ELMENT A, CONDENSATION and its related parts	0.5	1	15707-634-000	CLIP, OIL DRAIN	1	2250001	A
		2	15772-551-000	CLIP, TUBE	2		
AIR CLEANER CASE	0.7	3	16223-283-000	BAND, CARBURETOR INSULATOR	4		
AIR CLEANER CASE SEPARATOR and its related parts	0.6	4	17211-405-000	ELEMENT, AIR CLEANER	1		
		5	17215-392-000	STAY, R. AIR CLEANER CASE	1		
AIR CLEANER ELEMENT/AIR CLEANER CASE COVER	0.3	6	17215-393-780	CLIP, AIR VENT TUBE	1		
		7	17216-392-000	STAY, L. AIR CLEANER CASE	1		
• AIR CLEANER CONNECTING TUBE		8	17217-392-000	PLATE, R. AIR CLEANER CASE	1		
		9	17218-392-000	PLATE, L. AIR CLEANER CASE	1		
		10	17219-392-000	RUBBER, AIR CLEANER CASE MOUNT	4		
		11	17220-300-010	COLLAR, CLEANER CASE SETTING	2		
		12	17230-405-305	SEPARATOR COMP., AIR CLEANER CASE	1		
		13	17231-392-000	COVER, AIR CLEANER	1		
	14	17237-392-000	COLLER, AIR CLEANER CASE	2			
	15	17238-392-000	NUT A, AIR CLEANER COVER	2			
	16	17239-392-000	NUT B, AIR CLEANER COVER	2			
	17	17240-405-305	CASE COMP., AIR CLEANER	1		1001091	DK,DM,E,ED,F,G,U A,CM
			17240-405-315	CASE COMP., AIR CLEANER	1	1001092	DK,DM,E,ED,F,G,U
		18	17253-405-300	TUBE, AIR CLEANER CONNECTING	4		
		19	17358-410-000	TUBE ASSY., DRAIN	1		
		20	17359-419-670	JOINT, BREATHER TUBE	1		
		21	17360-405-000	CHAMBER ASSY., CONDENSATION	1		
		22	17361-405-000	BODY A, CONDENSATION	1		

1978.09.10

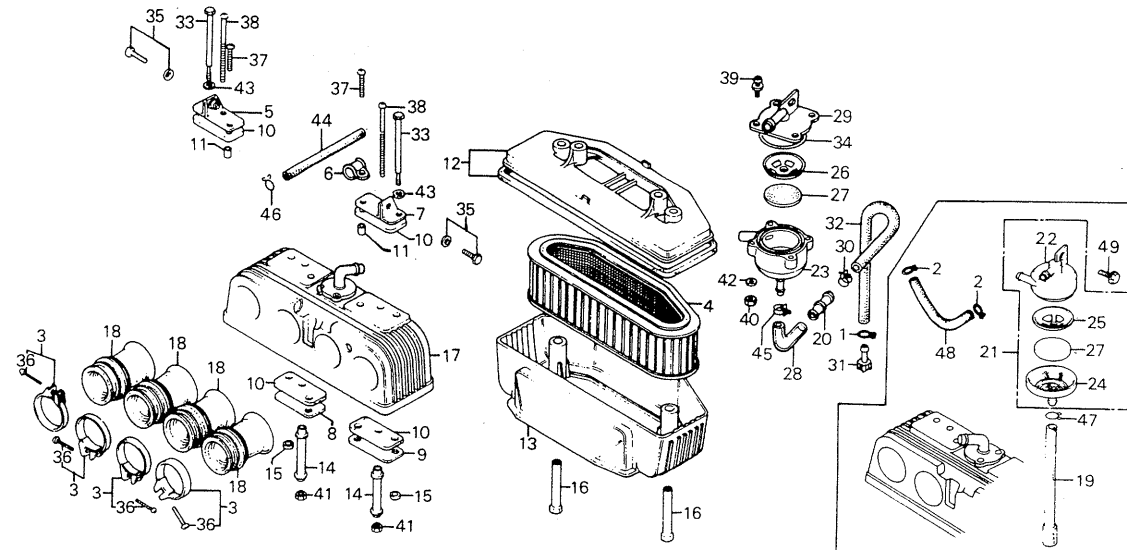


# F-16

## Air cleaner



Courtesy of [www.honda4fun.com](http://www.honda4fun.com)



B410-22A

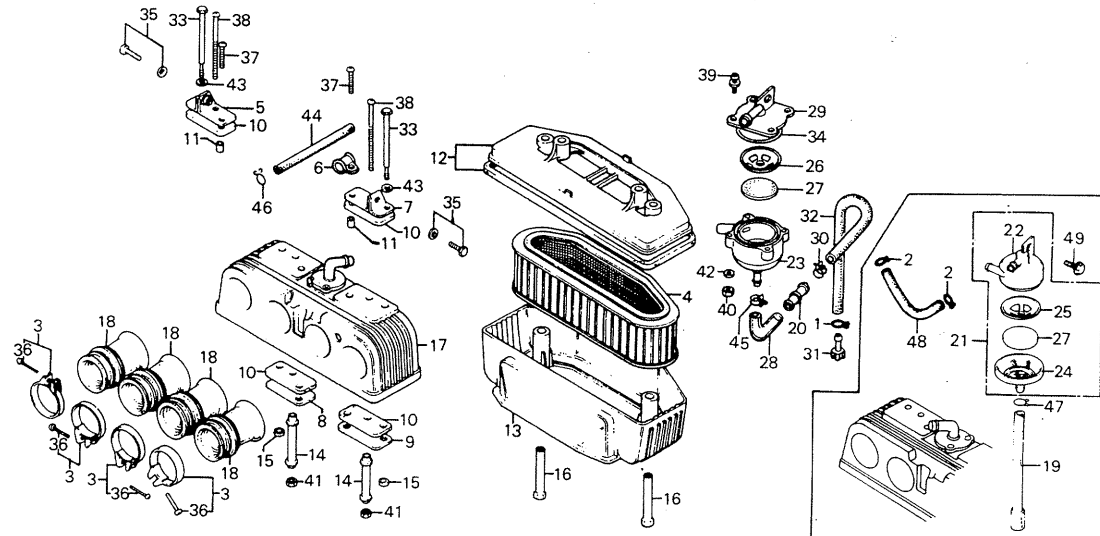
Service item	F.R.T.	Ref. No.	Part No.	Description	Reqd. No. CB750 F2 F3	Serial No.	Area code
		23	17361-405-770	BODY, CONDENSATION CHAMBER	1		
		24	17362-405-000	CUP A, CONDENSATION	1		
		25	17363-405-000	HOLDER, ELEMENT	1		
		26	17363-405-770	HOLDER, ELEMENT	1		
		27	17364-405-000	ELEMENT A, CONDENSATION	1		
		28	17365-405-770	TUBE A, DRAIN	1		
		29	17366-405-770	COVER, CHAMBER	1		
		30	17369-419-670	CLIP A13.5, TUBE	1		
		31	17370-419-700	PLUG, BREATHER TUBE	1	2250001	A
		32	17376-405-770	TUBE B, DRAIN	1		
		33	90143-392-000	BOLT, AIR CLEANER COVER	2		
		34	91305-405-770	O-RING, 62X2.5	1		
		35	93483-06012-00	BOLT-WASHER, 6X12	2		
		36	93500-05020-0A	SCREW, PAN, 5X20	4		
		37	93500-06020	SCREW, PAN, 6X20	2		
		38	93500-06080	SCREW, PAN, 6X80	2		
		39	93891-04020-00	SCREW-WASHER, 4X20	4		
		40	94001-04000	NUT, HEX., 4MM	4		
		41	94001-06000	NUT, HEX., 6MM	2		
		42	94101-04000	WASHER, PLAIN, 4MM	4		
		43	94101-06000	WASHER, PLAIN, 6MM	2		
		44	95001-35170-40	TUBE, FUEL, 3.5X170	1		
		45	95002-01160	CLIP A16, TUBE	1		
		46	95002-02070	CLIP B7, TUBE	1		
		47	95002-70000	CLIP C11, TUBE	1		

1978.09.10



# F-16

## Air cleaner

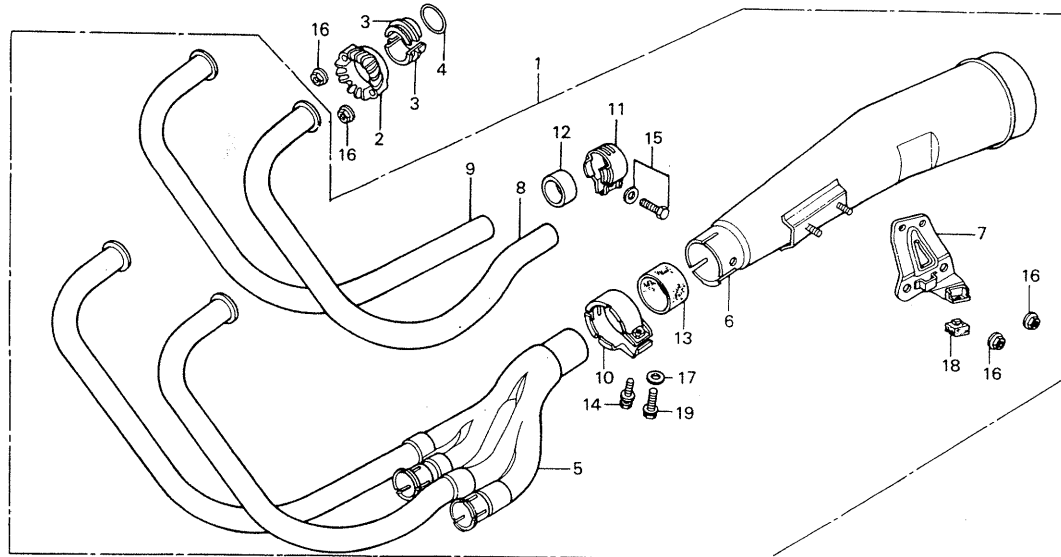


B410-22A

Service item	F.R.T.	Ref. No.	Part No.	Description	Reqd. No.		Serial No.	Area code
					CB750	F2 F3		
		48	95005-12280-20	TUBE, 12X280	1	1		
		49	95700-06012-00	BOLT, FLANGE, 6X12	1	1		

# F-17

## Exhaust muffler



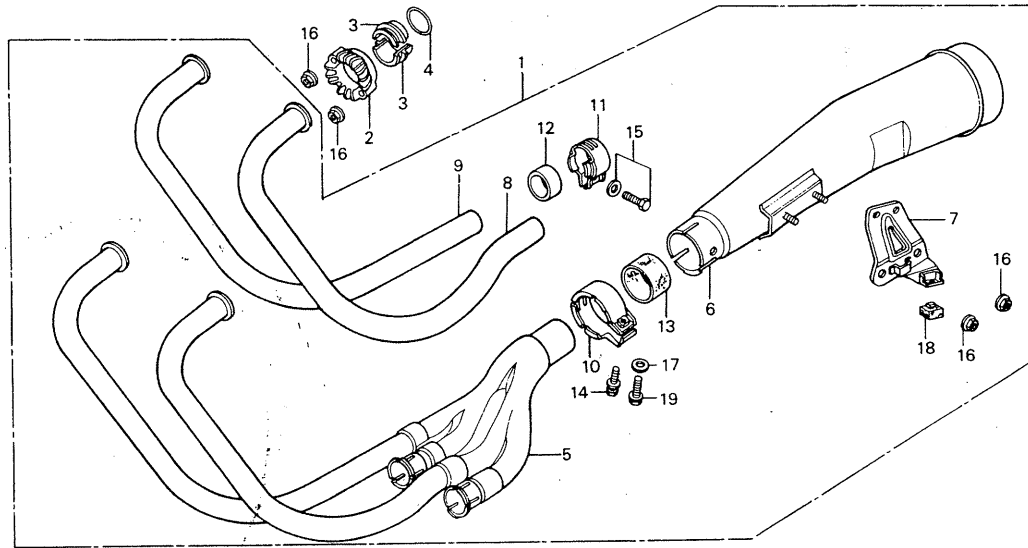
B410-23A

Service item	F.R.T.	Ref. No.	Part No.	Description	Reqd. No. CB750 F2 F3	Serial No.	Area code
EXHAUST MUFFLER ASSY.	0.5	1	18200-410-000	MUFFLER ASSY., EX.	1	1006816	DK,DM,U
MUFFLER BRACKET/EXHAUST PIPE JOINT and its related parts	0.4		18200-410-610	MUFFLER ASSY., EX.	1		A,CM,E,F,G
EXHAUST PIPE COMP. 1.	0.1		18200-410-650	MUFFLER ASSY., EX. <i>NA7438</i>	1	1006817	ED
• EXHAUST PIPE COMP. 3.			18200-410-770	MUFFLER ASSY., EX.	1		DK,DM,U
		2	18231-392-000	JOINT, EX. PIPE	4		
		3	18233-392-000	COLLAR, EX. PIPE JOINT	8		
		4	18291-254-000	GASKET, EX. PIPE	4		
		5	18300-410-003	PIPE COMP., EX. <i>2574</i>	1		
			18300-410-013	PIPE COMP., EX.	1		1008156 E,ED,F,G
			18300-410-771	PIPE COMP., EX.	1	1008157	DK,DM,U
					1	2212370	A,CM
					1	1008157	E,ED,F,G
					1	1008158	DK,DM,U
					1	2212371	
		6	18310-410-671	MUFFLER COMP.	1		A,CM,DK,DM,E,F,G,U
			18310-410-000	MUFFLER COMP.	1		ED
		7	18312-410-000	BRACKET, MUFFLER	1		
			18312-410-770	BRACKET, MUFFLER	1		
		8	18331-410-003	PIPE COMP. 1, EX. <i>891</i>	1	1006736	DK,DM,U
					1	2210163	A,CM,E,ED,F,G
			18331-410-770	PIPE COMP. 1, EX.	1	1006737	DK,DM,U
					1	2210164	
		9	18361-410-003	PIPE COMP. 3, EX. <i>891</i>	1	1006736	DK,DM,U
					1	2210163	A,CM,E,ED,F,G
			18361-410-770	PIPE COMP. 3, EX.	1	1006737	DK,DM,U
					1	2210164	

1978.09.10

# F-17

## Exhaust muffler

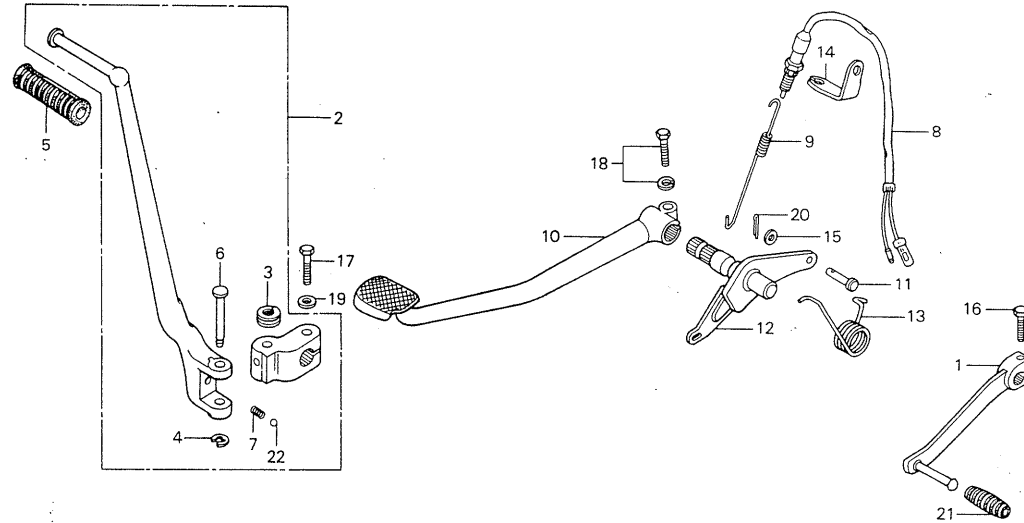


B410-23A

Service item	F.R.T.	Ref. No.	Part No.	Description	Reqd. No. CB750 F2 F3	Serial No.	Area code
		10	18371-410-000	BAND, MUFFLER	1 1		
		11	18372-410-000	BAND, EX. PIPE	2	1108157	DK,DM,E,ED,F,G,U A,CM
			18372-410-010	BAND, EX. PIPE	2 2	1108158	DK,DM,E,ED,F,G,U
		12	18391-310-000	PACKING, MUFFLER	2 2	2212371	DK,DM,E,ED,F,G,U A,CM
			18391-410-000	PACKING, MUFFLER	2 2	1006817	DK,DM,E,ED,F,G,U
		13	18391-390-000	PACKING, MUFFLER	1 1	2208241	
		14	90105-390-000	BOLT, MUFFLER SET	1 1		
		15	93481-08025-08	BOLT-WASHER, 8X25	2 2		
		16	94050-08080	NUT, FLANGE, 8MM	10 10		
		17	94102-08000	WASHER, PLAIN, 8MM	1	1005877	DK,DM,E,ED,F,G,U
		18	95011-61000	RUBBER A, STAND STOPPER	1 1	2208311	
		19	95800-08025-00	BOLT, FLANGE, 8X25	1 1	1005877	DK,DM,E,ED,F,G,U
					1	2208311	

# F-18

Change pedal • Brake pedal •  
Kick starter arm



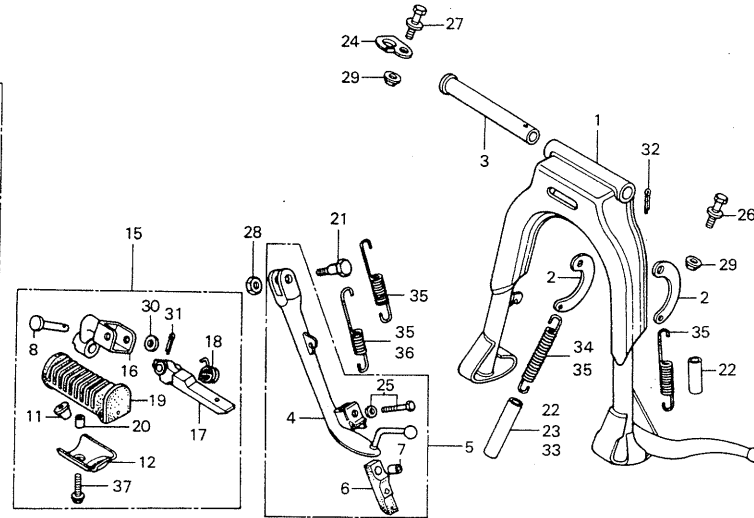
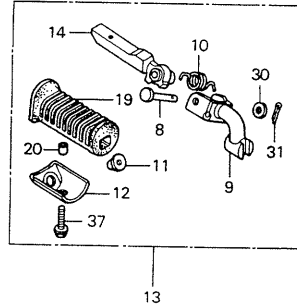
B410-24

Service item	F.R.T.	Ref. No.	Part No.	Description	Reqd. No.		Serial No.	Area code
					CB750	F2 F3		
REAR BRAKE PEDAL SPINDLE COMP./ BRAKE PEDAL SPRING	0.3	1	24701-410-000	PEDAL, GEAR CHANGE	1	1		
		2	28240-392-000	ARM ASSY., KICK-STARTER	1	1		
KICK STARTER KNUCKLE PIN	0.2	3	28292-250-010	SPRING, KICK STARTER	1	1		
KICK STARTER ASSY./RUBBER	0.1	4	28293-250-000	CLIP, KICK STARTER KNUCKLE PIN	1	1		
• REAR BRAKE PEDAL		5	28311-329-000	RUBBER, KICK STARTER	1	1		
		6	28321-300-000	PIN, KICK STARTER KNUCKLE	1	1		
		7	28333-300-000	SPRING, KICK STARTER STOPPER	1	1		
		8	35350-086-721	SWITCH ASSY., STOP	1	1		
		9	35357-107-010	SPRING, STOP SWITCH	1	1		
		10	46500-410-000	PEDAL, RR. BRAKE	1	1		
		11	46503-371-000	PIN, BRAKE ROD	1	1		
		12	46510-410-000	SPINDLE COMP., RR. BRAKE PEDAL	1	1		
		13	46514-410-000	SPRING, BRAKE PEDAL	1	1	1011571	DK,DM,E,ED,F,3,U
			46514-410-770	SPRING, BRAKE PEDAL	1	1	1011572	A,CM DK,DM,E,ED,F,3,U
		14	50146-410-000	BRACKET, STOP SWITCH	1	1		
		15	90501-310-000	WASHER, 7X12	1	1		
		16	92000-06020	BOLT, HEX., 6X20	1	1		
		17	92000-08028-08	BOLT, HEX., 8X28	1	1		
		18	93482-08028-00	BOLT-WASHER, 8X28	1	1		
		19	94102-08200	WASHER, PLAIN, 8MM	1	1		
		20	94201-16150	PIN, SPLIT, 1.6X15	1	1		
		21	95011-40000	RUBBER, CHANGE PEDAL	1	1		
		22	96211-08000	BALL, STEEL, #8 (1/4)	1	1		

1978.09.10

# F-19

## Step · Stand



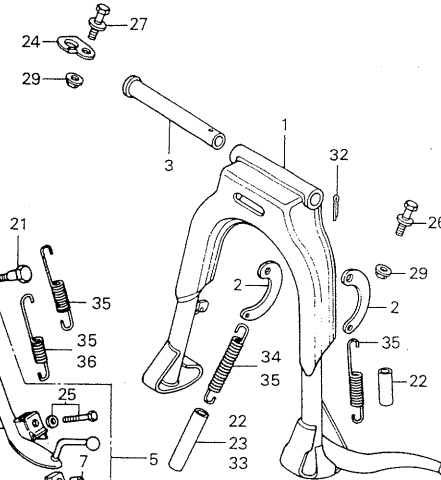
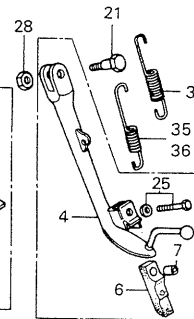
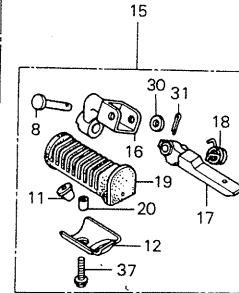
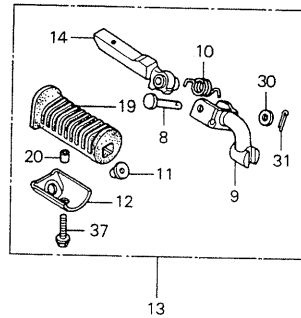
B410-25B

Service item	F.R.T.	Ref. No.	Part No.	Description	Reqd. No. CB750 F2 F3	Serial No.	Area code
MAIN STAND/PIVOT PIPE	0.5	1	50500-410-000	STAND, MAIN	1		A,CM,DK,DM,E,ED,F,U
SIDE STAND BAR/PIVOT SCREW	0.2		50500-410-610	STAND, MAIN	1		G
• MAIN STAND SPRING/SPRING PLATE		2	50523-300-010	PLATE, MAIN STAND SPRING	1		A,CM,DK,DM,E,ED,F,U
STEP and its related parts	0.1				2		G
• STAND RUBBER/SIDE STAND SPRING		3	50526-300-000	PIPE, MAIN STAND PIVOT	1		
		4	50530-390-680	STAND COMP., SIDE	1		DK,DM,E,ED,F,U
		5	50540-390-000	BAR ASSY., SIDE STAND	1		A,CM
			50540-390-610	BAR ASSY., SIDE STAND	1		G
		6	50548-356-700	RUBBER, STAND	1		A,CM,G
		7	50549-356-700	COLLAR, STAND RUBBER SETTING	1		A,CM,G
		8	50603-033-000	PIN, STEP BAR JOINT	2		
		9	50615-410-000	BAR COMP., R. STEP	1		
		10	50617-300-000	SPRING, R. STEP RETURN	1		
		11	50618-405-000	SLIDER, STEP	2	1007466	DK,DM,E,ED,F,G,U
					2	2211665	A,CM
			50618-431-670	SLIDER, STEP	2	1007467	DK,DM,E,ED,F,G,U
					2	2211666	
		12	50619-405-000	STOPPER, STEP RUBBER	2		
		13	50630-410-000	STEP ASSY., R. <del>700</del> ✓ 1016	1		
		14	50632-405-000	ARM, R. STEP	1		
		15	50640-410-000	STEP ASSY., L. <del>700</del> ✓ 1016	1		
		16	50641-410-000	BAR COMP., L. STEP	1		
		17	50642-405-000	ARM, L. STEP	1		
		18	50644-300-670	SPRING, L. STEP RETURN	1		
		19	50661-405-000	RUBBER, STEP <del>60</del> ✓ 60	2		
		20	84706-286-000	COLLAR, NUMBER BRACKET SETTING	2		

1978.09.10

# F-19

## Step • Stand



B410-258

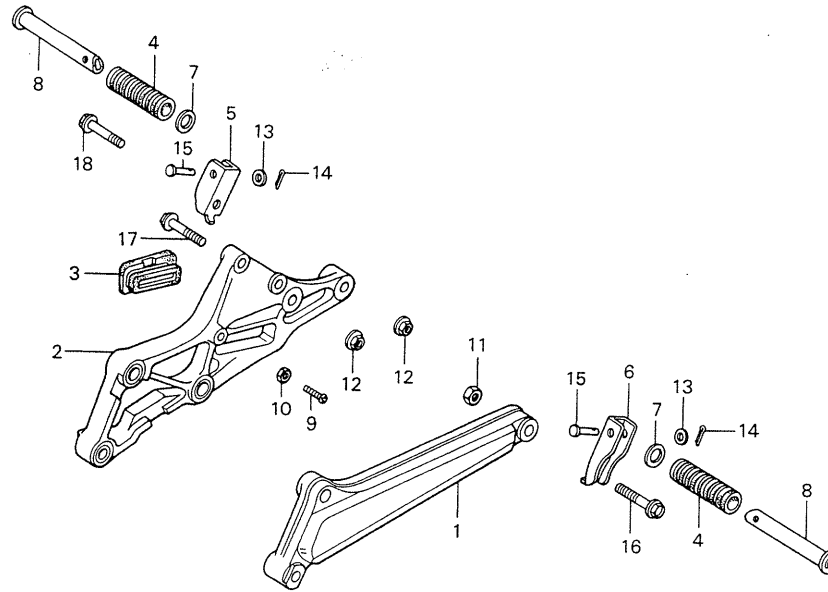
Service item	F.R.T.	Ref. No.	Part No.	Description	Reqd. No.		Serial No.	Area code
					CB750	F2 F3		
		21	90108-283-000	SCREW, SIDE STAND PIVOT	1	1		
		22	90125-404-610	COVER, MAIN STAND SPRING	2			G
		23	90125-410-000	COVER, MAIN STAND SPRING	1	1		A, CM, DK, DM, U
		24	90514-341-670	WASHER, BATTERY BREATHER TUBE GUIDE	1	1		
		25	93481-06028-00	BOLT-WASHER, 6X28	1	1		A, CM, ;
		26	93481-08040-00	BOLT-WASHER, 8X40	1	1		
		27	93481-08045-00	BOLT-WASHER, 8X45	1	1		
		28	94030-10000-05	NUT, HEX., 10MM	1	1		
		29	94050-08000	NUT, FLANGE, 8MM	2	2		
		30	94101-08000	WASHER, PLAIN, 8MM	2	2		
		31	94201-16150	PIN, SPLIT, 1.6X15	2	2		
		32	94201-25300	PIN, SPLIT, 2.5X30	1	1		
		33	95003-50007-20	TUBE, VINYL, 16X19X70	1			E, ED, F
		34	95014-71702	SPRING G, MAIN STAND	1	1		A, CM, DK, DM, U
			95014-71802	SPRING, MAIN STAND	1			E, ED, F
		35	95014-72102	SPRING A, SIDE STAND	4			G
		36	95014-72402	SPRING D, SIDE STAND	1	1		
		37	95700-06018-00	BOLT, FLANGE, 6X18	2	2		A, CM, DK, DM, E, ED, F, U

1978.09.10



# F-20

## Pillion Step

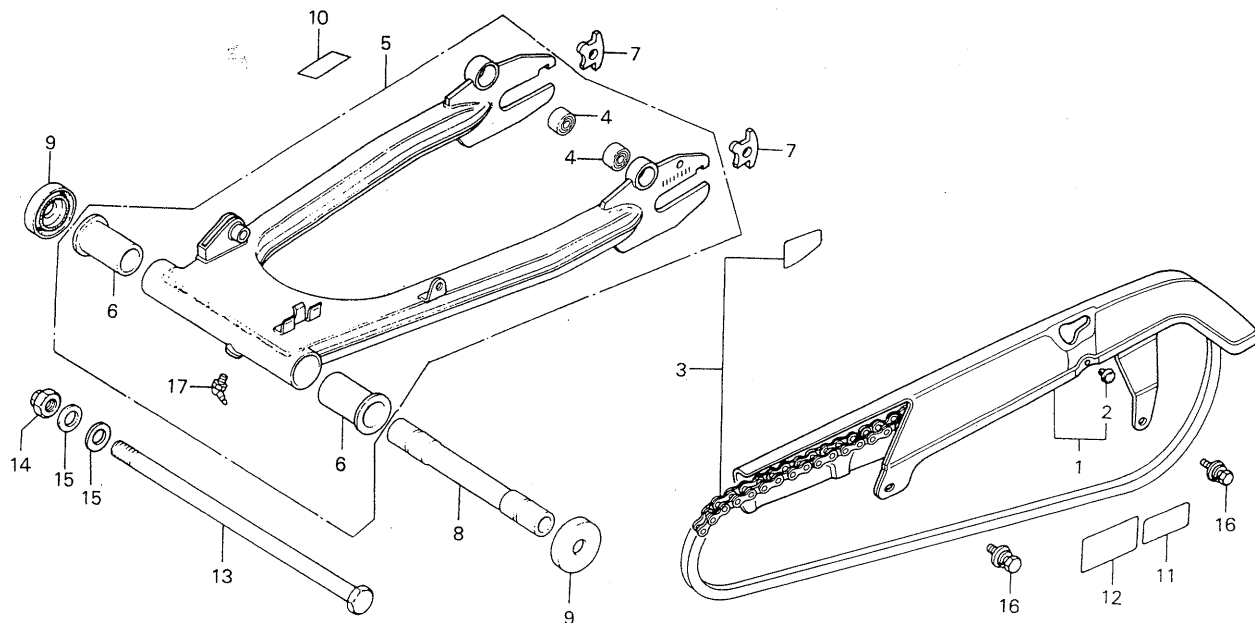


B410-26

Service item	F.R.T.	Ref. No.	Part No.	Description	Reqd. No.		Serial No.	Area code
					CB750	F2 F3		
R. STEP HOLDER	0.8	1	50610-410-000	HOLDER, L. MUFFLER <i>1160</i> ✓	1	1		
L. STEP HOLDER	0.2	2	50701-410-000	HOLDER, R. STEP <i>1715</i> ✓	1	1		
PILION STEP BRACKET and its related parts	0.1	3	50702-410-000	CAP, BRAKE ADJUST HOLE	1	1		
		4	50710-405-000	RUBBER, PILLION STEP <i>620</i> ✓	2	2		
		5	50711-405-000	BRACKET, PILLION STEP <i>123 163</i> ✓	1	1		
		6	50711-410-000	BRACKET, PILLION STEP <i>151</i> ✓	1	1		
		7	50712-405-000	WASHER, PILLION STEP	2	2		
		8	50715-405-000	BAR, PILLION STEP <i>183</i> ✓	2	2		
		9	93500-06032	SCREW, PAN, 6X32	1	1		
		10	94001-06000	NUT, HEX., 6MM	1	1		
		11	94030-10000	NUT, HEX., 10MM	1	1		
		12	94050-10000	NUT, FLANGE, 10MM	2	2		
		13	94101-06000	WASHER, PLAIN, 6MM	2	2		
		14	94201-16150	PIN, SPLIT, 1.6X15	2	2		
		15	95015-81000	PIN A, PILLION STEP	2	2		
		16	95700-10032-00	BOLT, FLANGE, 10X32	1	1		
		17	95700-10035-00	BOLT, FLANGE, 10X35	1	1		
		18	95700-10045-00	BOLT, FLANGE, 10X45	1	1		

# F-21

## Rear fork · Drive chain · Chain case



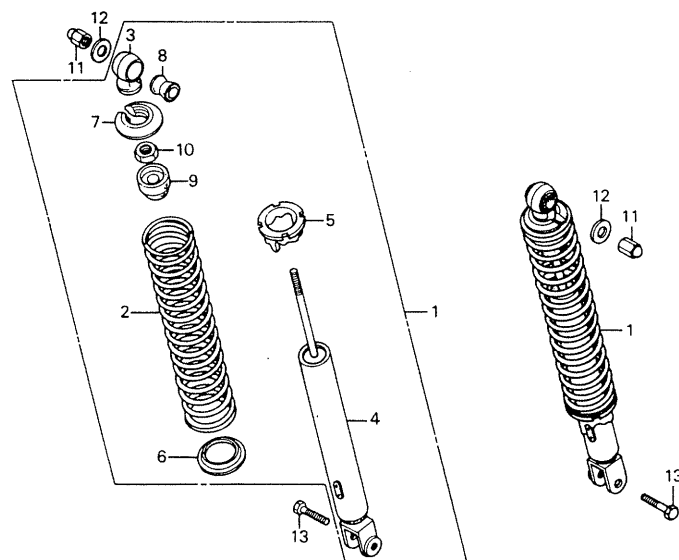
B410-27

Service item	F.R.T.	Ref. No.	Part No.	Description	Reqd. No.		Serial No.	Area code
					CB750	F2 F3		
REAR CUSHION UNDER RUBBER BUSH	1.0	1	40510-410-000	CASE, DRIVE CHAIN	1	1		
• REAR FORK PIVOT BUSH		2	40514-333-000	PLUG, CHAIN CASE	1	1		
* One or all		3	40530-405-305	CHAIN SET, DRIVE	1	1		A, CM
REAR FORK ASSY. and its related parts	0.8		40535-405-671	CHAIN SET, DRIVE (DID630DL-88L ENDLESS)	1	1		DK, DM, E, ED, F, G, U
DRIVE CHAIN SET	0.7			CHAIN SET, DRIVE (RK630SO-88L ENDLESS)				
REAR FORK CENTER COLLOR	0.6		40530-405-335	CHAIN SET, DRIVE (DID630V-88L ENDLESS)	1	1		
DRIVE CHAIN CASE	0.1		40530-405-345	CHAIN SET, DRIVE (88L)	1	1		
			40535-405-672	CHAIN SET, DRIVE (88L)	1	1		
		4	40548-268-000	BUSH, RR. CUSHION UNDER RUBBER	2	2		
		5	52100-410-000ZA	FORK ASSY., RR. *NH-1*	1	1		
		6	52108-457-300	BUSH, RR. FORK PIVOT	2	2		
		7	52136-405-000	STOPPER, CHAIN ADJUSTER	2	2		
		8	52141-390-000	COLLAR, RR. FORK CENTER	1	1		
		9	52144-362-000	CAP, RR. FORK DUST SEAL	2	2		
		10	87504-028-670	MARK, MUFFLER CAUTION	1	1		A, CM
		11	87505-410-670	MARK, TIRE CAUTION	1	1		A, CM
			87505-410-680	MARK, TIRE CAUTION	1	1		DK, DM, E, ED, F, G, U
		12	87507-405-670	MARK, CHAIN CAUTION	1	1		
		13	90121-393-770	BOLT, RR. FORK PIVOT	1	1		
		14	90354-268-000	NUT, SELF LOCK, 14MM	1	1		
		15	90526-268-000	WASHER, RR. FORK PIVOT BOLT	2	2		
		16	93483-06014-00	BOLT-WASHER, 6X14	2	2		
		17	96201-80000	NIPPLE, GREASE, B.T6S	1	1		

1578.09.10

# F-22

## Rear cushion



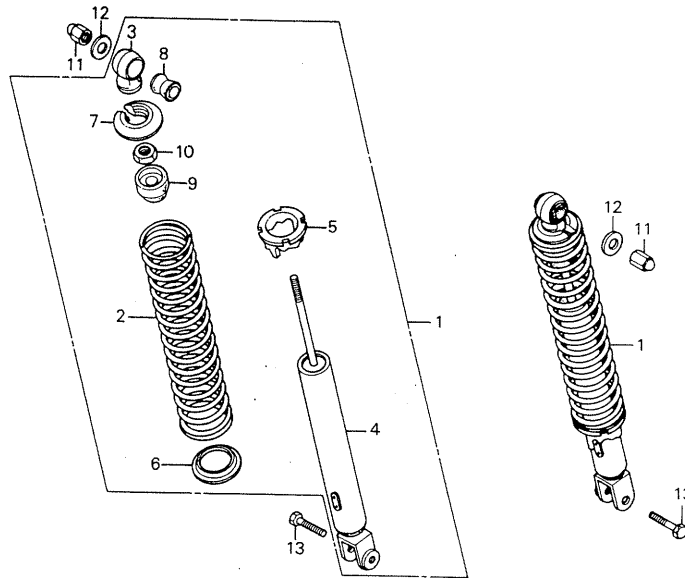
B392-37A

Service item	F.R.T.	Ref. No.	Part No.	Description	Reqd. No. CB750 F2 F3	Serial No.	Area code
REAR CUSHION SPRING and its related parts	0.3	1	52400-410-000	CUSHION ASSY., RR.	2	1004486	DK,DM,U
REAR CUSHION ASSY.	0.1		52400-410-610	CUSHION ASSY., RR. <i>1463</i> ✓	2	1004486	A,CM
* Add 0.1			52400-410-013	CUSHION ASSY., RR.	2	1004487	E,ED,F,G
		2	52401-410-000ZA	SPRING, CUSHION *NH-1*	2	1004486	DK,DM,E,ED,F,G,U
			52401-410-010ZA	SPRING, RR. CUSHION *NH-1*	2	1004486	A,CM
		3	52403-371-003	JOINT COMP., UPPER (SHOWA)	2	1004487	DK,DM,E,ED,F,G,U
			52403-410-013	JOINT COMP., UPPER	2	1004486	DK,DM,E,ED,F,G,U
					2		A,CM
		4	52410-392-003	CUSHION COMP., RR.	2	1004487	DK,DM,E,ED,F,G,U
					2	1004486	DK,DM,U
			52410-392-611	CUSHION COMP., RR.	2	1004486	A,CM
			52410-410-003	DAMPER COMP., RR. (SHOWA)	2	1004487	E,ED,F,G
					2		DK,DM,E,ED,F,G,U
		5	52422-371-003	ADJUSTER, SPRING (SHOWA)	2	1004486	DK,DM,E,ED,F,G,U
			52422-410-003	ADJUSTER, SPRING	2	1004487	A,CM
					2		DK,DM,E,ED,F,G,U
		6	52458-392-003	SEAT, SPRING UNDER (SHOWA)	2	1004486	DK,DM,E,ED,F,G,U
			52458-410-003	SEAT, SPRING UPPER (SHOWA)	2	1004486	A,CM
					2		DK,DM,E,ED,F,G,U
		7	52459-371-003	SEAT, SPRING UPPER (SHOWA)	2	1004487	DK,DM,E,ED,F,G,U
					2	1004486	DK,DM,E,ED,F,G,U
		8	52484-292-000	RUBBER, JOINT	2		A,CM
					2		

1978.09.10

# F-22

## Rear cushion



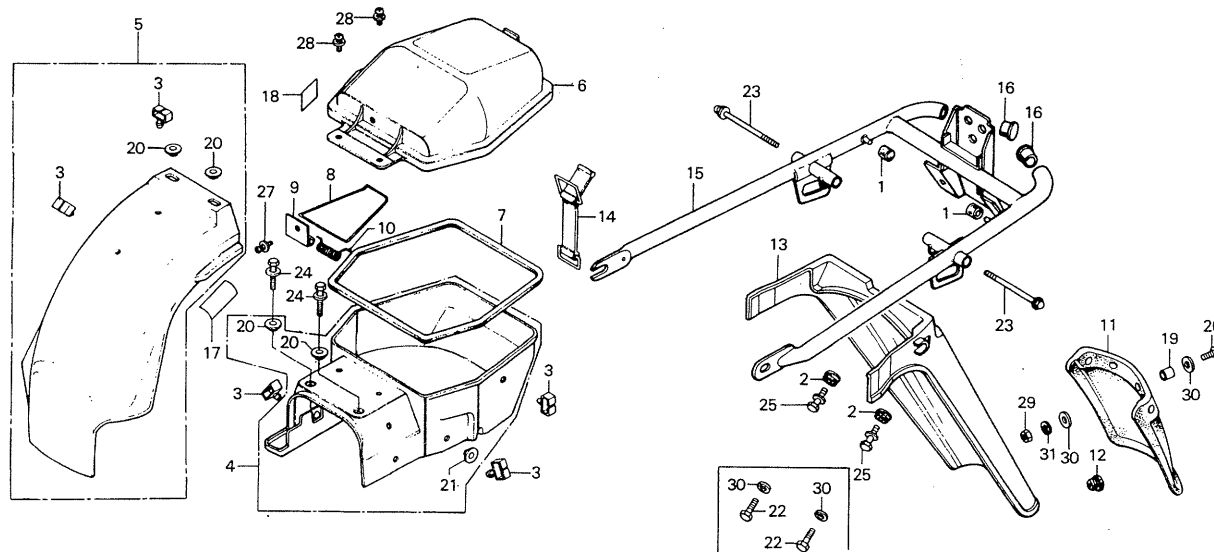
B392-37A

Service item	F.R.T.	Ref. No.	Part No.	Description	Reqd. No.		Serial No.	Area code
					CB750	F2 F3		
		9	52517-385-000	RUBBER, STOPPER	2		1004486	DK,DM,E,ED,F,G,U
			52517-410-003	RUBBER, STOPPER	2	2		A,CM
		10	90301-385-003	NUT, HEX., 11MM	2		1004487	DK,DM,E,ED,F,G,U
			90301-376-003	NUT, HEX., 11MM	2		1004486	DK,DM,E,ED,F,G,U
					2		1004487	A,CM
					2			DK,DM,E,ED,F,G,U
		11	90309-315-000	NUT, RR. CUSHION UPPER	2	2		
		12	90521-292-000	WASHER, 10.3MM	2	2		
		13	93200-10032-08	BOLT, HEX., 10X32	2	2		

1978.09.10

# F-23

## Rear fender



8410-288

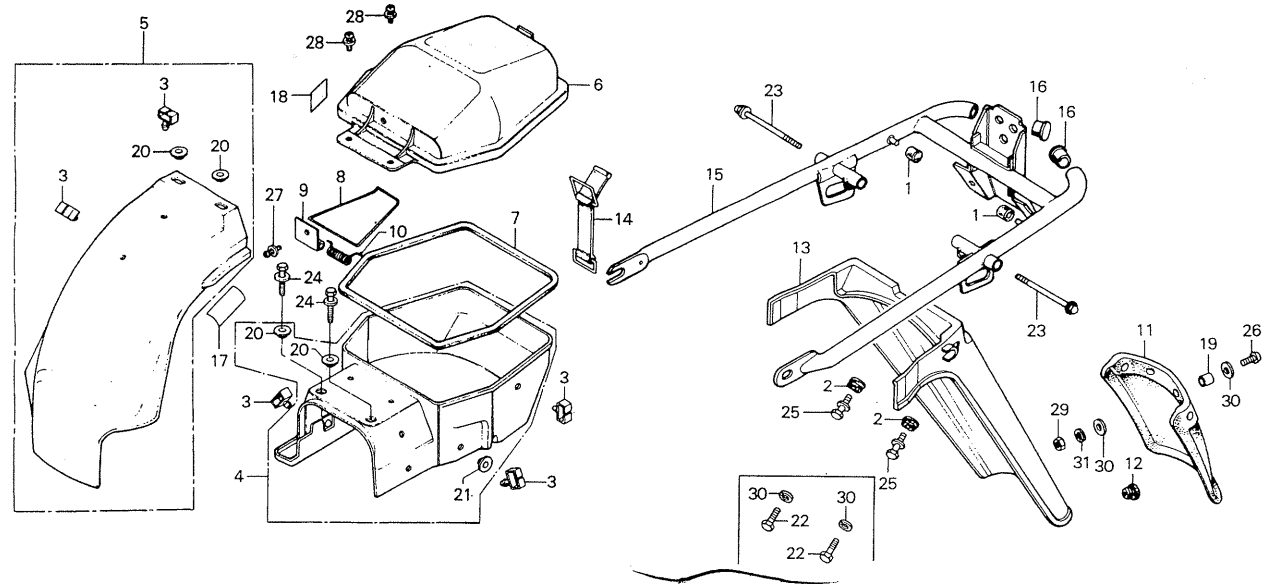
Service item	F.R.T.	Ref. No.	Part No.	Description	Reqd. No. CB750 F2 F3	Serial No.	Area code
REAR BUMPER	0.4	1	17611-045-670	PAD, FUEL TANK FR.	2	2	
REAR FENDER A.	0.2	2	31403-300-000	RUBBER, REGULATOR CUSHION	2	2	
• REAR FENDER B.		3	32985-300-000	GROMMET, WIRE CORD	5	5	A, CM, DK, DM, E, F, G, U
• REAR FENDER CAP A.		4	80100-392-000	FENDER A, RR.	1	1	
• REAR FENDER C.		5	80105-341-010	FENDER B, RR.	1	1	
CLAMP BAR and its related parts	0.1	6	80110-392-000	CAP A, RR. FENDER - 177 ✓	1	1	
• REAR FENDER SEAL RUBBER		7	80111-392-000	RUBBER, RR. FENDER SEAL	1	1	
		8	80112-392-000	BAR, CLAMP	1	1	
		9	80113-392-000	BASE, CLAMP	1	1	
		10	80114-392-000	SPRING, CLAMP RETURN	1	1	
		11	80121-323-630	MUDGUARD, RR. FENDER - 276 ✓	1	348	ED
		12	80124-351-000	PLUG, RR. FENDER	(4)		ED
		13	80250-392-600	FENDER C; RR.	1		ED
			80250-410-000	FENDER C, RR.	1	1	A, CM, DK, DM, E, F, G, U
		14	83606-356-000	BAND, SIDE COVER	1	1	
		15	84101-410-000	BUMPER, RR.	1	1	A, CM, DK, DM, U
			84101-410-610	BUMPER, RR.	1		E, ED, F, G
		16	84103-392-000	CAP, RR. BUMPER	2	2	
		17	87506-405-000	MARK, BATTERY CAUTION	1		
			87506-405-770	MARK, BATTERY CAUTION	1	1	
		18	87512-371-670	MARK, ACCESSORIES & LOADING CAUTION	1	1	A, CM
		19	90325-323-630	COLLAR, RR. MUDGUARD	4		ED
		20	90512-300-000	WASHER, 6X20	4	4	
		21	90512-392-000	WASHER, 8X20	2	2	
		22	92000-06012	BOLT, HEX., 6X12	2		ED

1978.09.10

# F-23

## Rear fender

Courtesy of  Honda4Fun  
www.hondafour.com www.honda4fun.com



B410-28B

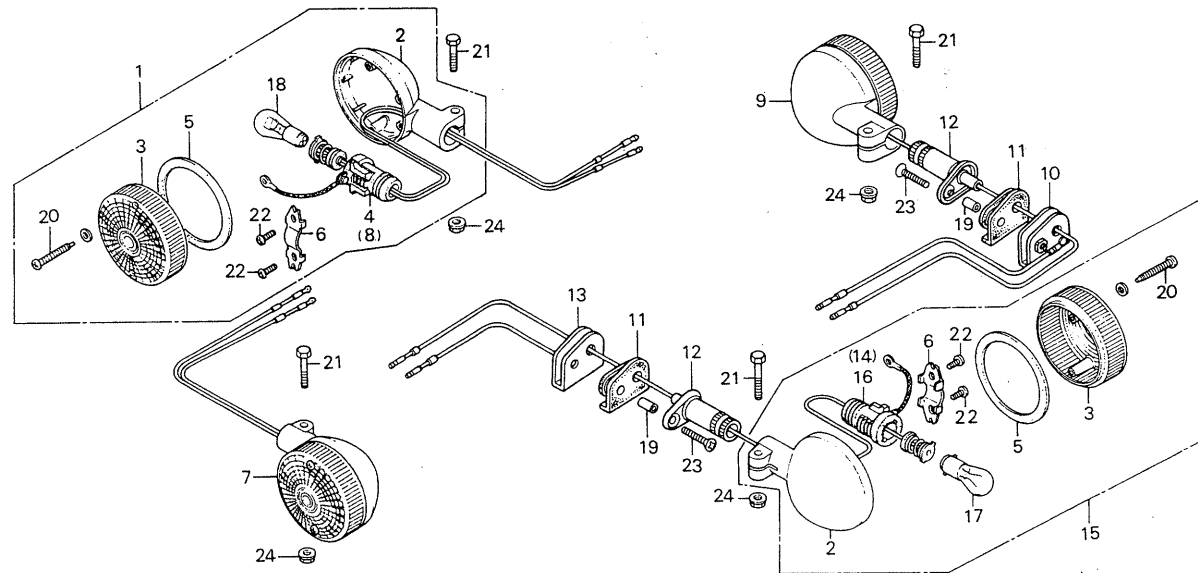
Service item	F.R.T.	Ref. No.	Part No.	Description	Reqd. No.		Serial No.	Area code
					CB750	F2 F3		
		23	92600-08085-08	BOLT, CAP, 8X85	2	2		
		24	93481-06028-00	BOLT-WASHER, 6X28	2	2		
		25	93494-06020-08	BOLT-WASHER, 6X20	2	2		A, CM, DK, DM, E, F, G, U
		26	93500-06020-49	SCREW, PAN, 6X20	4			ED
		27	93891-04008-07	SCREW-WASHER, 4X8	1	1		
		28	93891-04016-07	SCREW-WASHER, 4X16	2	2		
		29	94001-06000	NUT, HEX., 6MM	4			ED
		30	94101-06000	WASHER, PLAIN, 6MM	10			ED
		31	94111-06000	WASHER, SPRING, 6MM	4			ED

1978.09.10



# F-24

## Winker (A, CM)



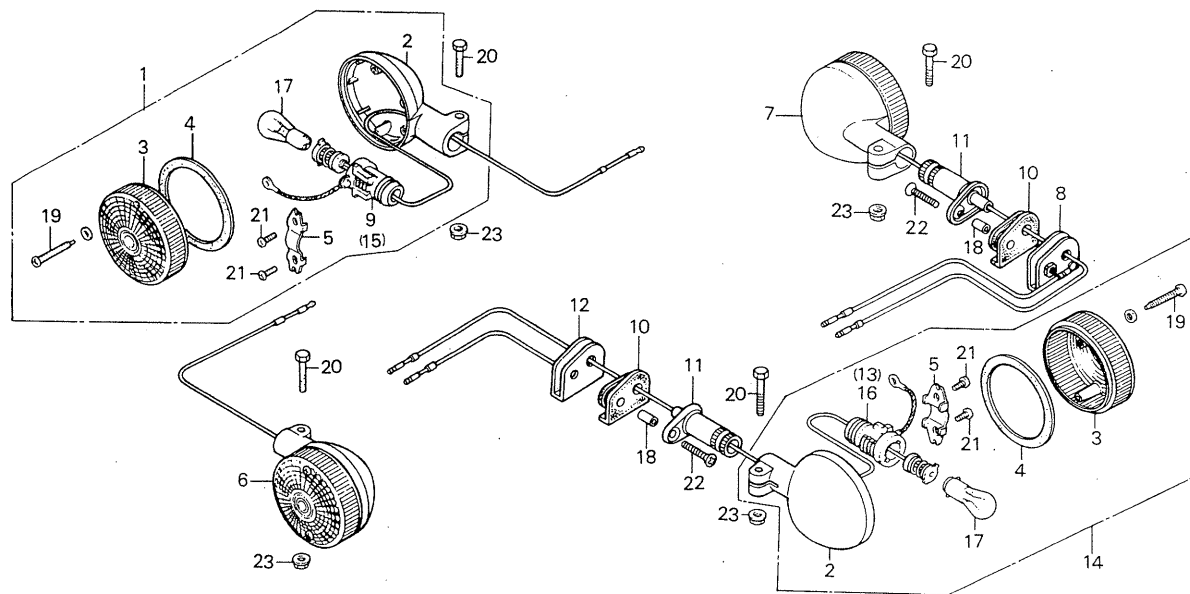
B410-29

Service item	F.R.T.	Ref. No.	Part No.	Description	Reqd. No. CB750 F2 F3	Serial No.	Area code
WINKER ASSY. and its related parts	0.2	1	33400-377-671	WINKER ASSY., R. FR.	1 1		A,CM
+ Add 0.1		2	33401-377-671	BASE, R. FR. WINKER	4 4		A,CM
+ EXC. related parts below		3	33402-377-671	LENS, FR. WINKER	4 4		A,CM
WINKER LENS/BULB	0.1	4	33405-377-671	SOCKET COMP., R. FR. WINKER	1 1		A,CM
+ When servicing comp., unit		5	33406-377-671	PACKINS, WINKER LENS	4 4		A,CM
F.R.T. is 0.2		6	33407-377-671	HOLDER, FR. WINKER SOCKET	4 4		A,CM
		7	33450-377-671	WINKER ASSY., L. FR.	1 1		A,CM
		8	33455-377-671	SOCKET COMP., L. FR. WINKER	1 1		A,CM
		9	33600-374-671	WINKER ASSY., R. RR.	1 1		A,CM
		10	33604-374-670	STOPPER, R. RR. WINKER	1 1		A,CM
		11	33606-374-670	RUBBER, RR. WINKER MOUNT	2 2		A,CM
		12	33607-374-670	STAY, R. RR. WINKER	2 2		A,CM
		13	33609-374-670	STOPPER, L. RR. WINKER	1 1		A,CM
		14	33610-374-671	SOCKET COMP., R. RR. WINKER	1 1		A,CM
		15	33650-374-671	WINKER ASSY., L. RR.	1 1		A,CM
		16	33660-374-671	SOCKET COMP., L. RR. WINKER	1 1		A,CM
		17	34905-268-671	BULB, WINKER (12V23W)	2 2		A,CM
		18	34906-313-671	BULB, STOP & TAILLIGHT (12V23/8W)	2 2		A,CM
		19	80108-061-000	COLLAR A, RR. FENDER	2 2		A,CM
		20	90192-377-671	SCREW, PAN, 4X25	8 8		A,CM
		21	93000-06035-02	BOLT, HEX., 6X35	4 4		A,CM
		22	93500-03008-0H	SCREW, PAN, 3X8	8 8		A,CM
		23	93700-06025-02	SCREW, OVAL, 6X25	2 2		A,CM
		24	94050-06000	NUT, FLANGE, 6MM	4 4		A,CM

1978.09.10

# F-24-1

## Winker (DK, DM, U)



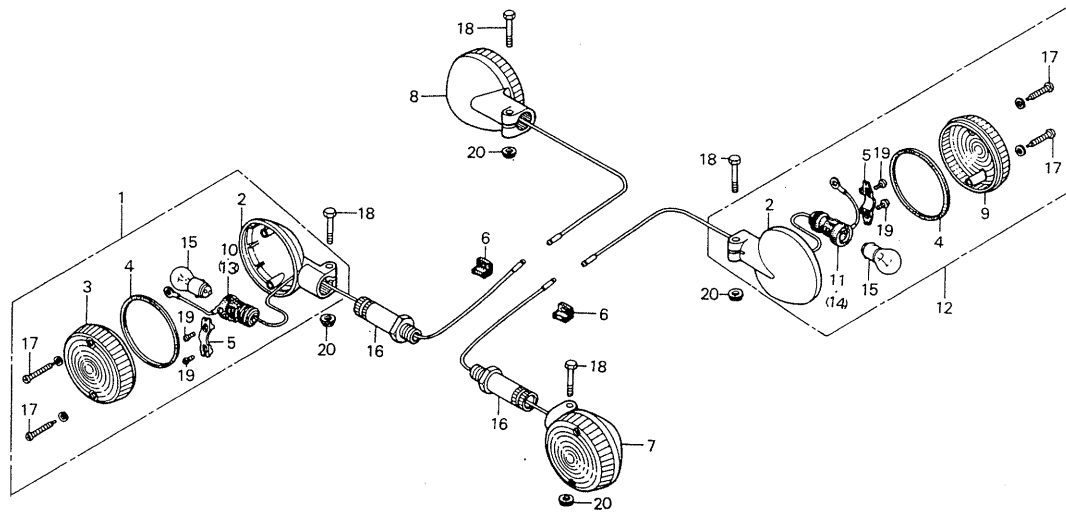
B392-39A

Service item	F.R.T.	Ref. No.	Part No.	Description	Reqd. No. CB750 F2 F3	Serial No.	Area code
WINKER ASSY. and its related parts	0.2	1	33400-390-003	WINKER ASSY., R. FR.	1		DK,DM,U
* Add 0.1		2	33401-390-003	BASE, R. FR. WINKER	4		DK,DM,U
* EXC. related parts below		3	33402-377-671	LENS, FR. WINKER	4		DK,DM,U
WINKER LENS/BULB	0.1	4	33406-377-671	PACKING, WINKER LENS	4		DK,DM,U
* When servicing comp., unit F.R.T. is 0.2		5	33407-377-671	HOLDER, FR. WINKER SOCKET	4		DK,DM,U
		6	33450-390-003	WINKER ASSY., L. FR.	1		DK,DM,U
		7	33600-390-003	WINKER ASSY., R. RR.	1		DK,DM,U
		8	33604-374-670	STOPPER, R. RR. WINKER	1		DK,DM,U
		9	33605-377-671	SOCKET COMP., R. WINKER	1		DK,DM,U
		10	33606-374-670	RUBBER, RR. WINKER MOUNT	2		DK,DM,U
		11	33607-374-670	STAY, R. RR. WINKER	2		DK,DM,U
		12	33609-374-670	STOPPER, L. RR. WINKER	1		DK,DM,U
		13	33610-374-671	SOCKET COMP., R. RR. WINKER	1		DK,DM,U
		14	33650-390-003	WINKER ASSY., L. RR.	1		DK,DM,U
		15	33655-377-671	SOCKET COMP., L. WINKER	1		DK,DM,U
		16	33660-374-671	SOCKET COMP., L. RR. WINKER	1		DK,DM,U
		17	34905-268-671	BULB, WINKER (12V23W)	4		DK,DM,U
		18	80108-061-000	COLLAR A, RR. FENDER	2		DK,DM,U
		19	90192-377-671	SCREW, PAN, 4X25	8		DK,DM,U
		20	93000-06035-02	BOLT, HEX., 6X35	4		DK,DM,U
		21	93500-03008-0H	SCREW, PAN, 3X8	8		DK,DM,U
		22	93700-06025-02	SCREW, OVAL, 6X25	2		DK,DM,U
		23	94050-06000	NUT, FLANGE, 6MM	4		DK,DM,U

1578.09.10

# F-24-2

## Winker (E, ED, F, G)



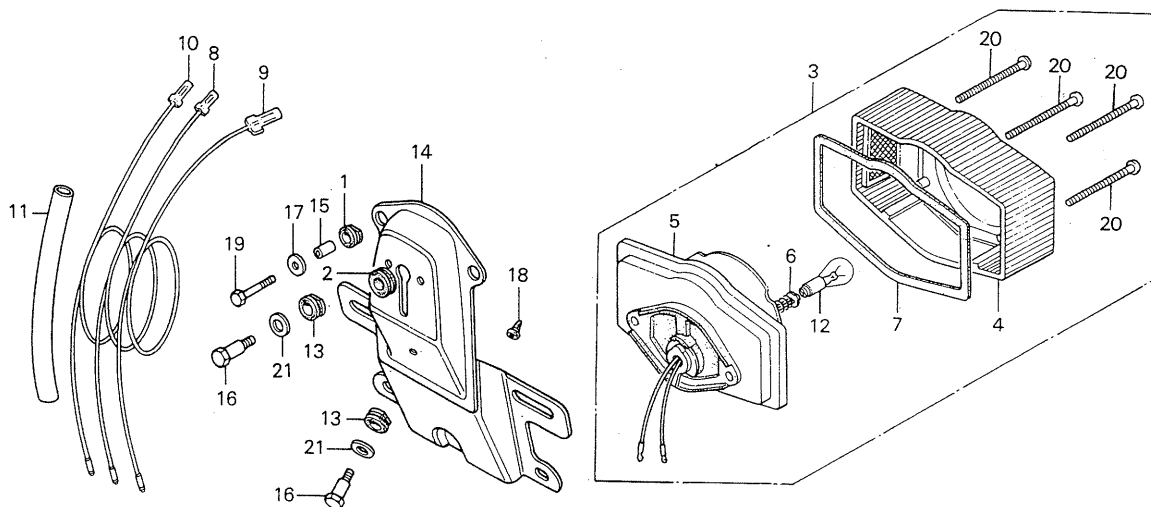
B405-60

Service item	F.R.T.	Ref. No.	Part No.	Description	Reqd. No. CB750 F2 F3	Serial No.	Area code
WINKER ASSY. and its related parts	0.2	1	33400-371-601	WINKER ASSY., R. FR. - 710 ✓	1		E, ED, F, G
* Add 0.1		2	33401-390-003	BASE, R. FR. WINKER	4		E, ED, F, G
* EXC. related parts below		3	33402-377-671	LENS, FR. WINKER - 106 ✓	2		E, ED, F, G
WINKER LENS/BULB	0.1	4	33406-377-671	PACKING, WINKER LENS	4		E, ED, F, G
* When servicing comp., unit F.R.T. is 0.2		5	33407-371-601	HOLDER, FR. WINKER SOCKET	4		E, ED, F, G
		6	33421-371-000	GROMMET, WINKER CORD	2		E, ED, F, G
		7	33450-371-601	WINKER ASSY., L. FR.	1		E, ED, F, G
		8	33600-404-601	WINKER ASSY., R. RR.	1		E, ED, F, G
		9	33602-371-601	LENS, RR. WINKER	2		E, ED, F, G
		10	33605-377-671	SOCKET COMP., R. WINKER	1		E, ED, F, G
		11	33605-404-601	SOCKET COMP., R. RR.	1	811	E, ED, F, G
		12	33650-404-601	WINKER ASSY., L. RR. - 698	1		E, ED, F, G
		13	33655-377-671	SOCKET COMP., L. WINKER	1		E, ED, F, G
		14	33655-404-601	SOCKET COMP., L. RR.	1		E, ED, F, G
		15	34908-634-611	BULB (12V21W)	4		E, ED, F, G
		16	90154-404-610	BOLT, FR. WINKER SET - 165 ✓	2		E, ED, F, G
		17	90192-377-671	SCREW, PAN, 4X25	8		E, ED, F, G
		18	93000-06035-02	BOLT, HEX., 6X35	4		E, ED, F, G
		19	93500-03008-0H	SCREW, PAN, 3X8	8		E, ED, F, G
		20	94050-06000	NUT, FLANGE, 6MM	4		E, ED, F, G

# F-25

## Taillight (A, CM)

Courtesy of  Honda4Fun  
www.hondafour.com www.honda4fun.com



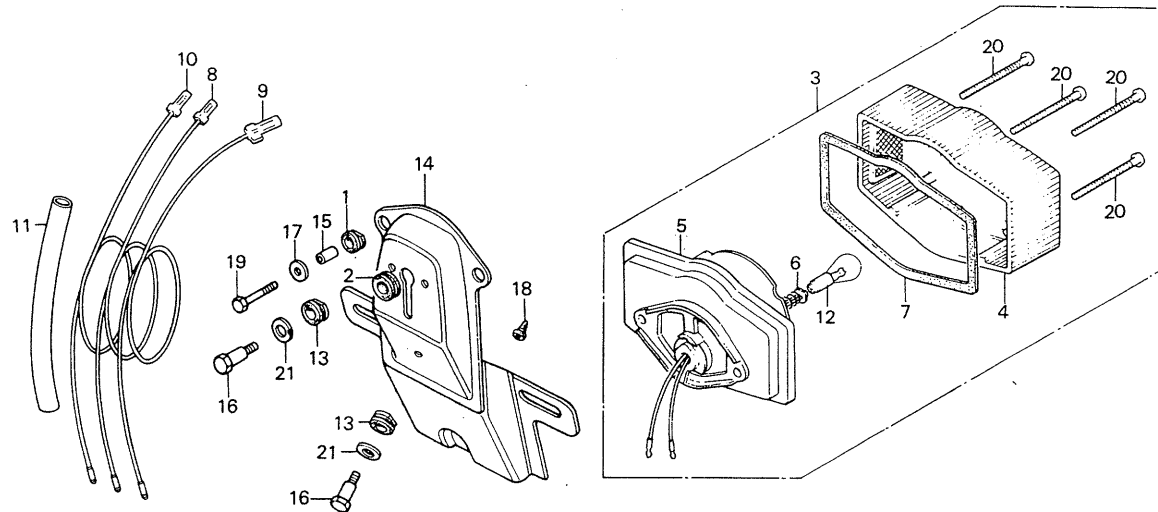
B410-30

Service item	F.R.T.	Ref. No.	Part No.	Description	Reqd. No.		Serial No.	Area code
					CB750	F2 F3		
NUMBER PLATE BRACKET	0.3	1	31403-300-000	RUBBER, REGULATOR CUSHION	2	2		A,CM
TAIL LIGHT UNIT/TAIL LIGHT BASE and those related parts	0.2	2	32983-028-000	GROMMET, WIRE HARNESS	1	1		A,CM
		3	33701-341-910	TAILLIGHT UNIT (12V 32/3CP)	1	1		A,CM
• TAIL LIGHT SUB CORD	0.1	4	33702-341-671	LENS, TAILLIGHT	1	1		A,CM
TAIL LIGHT LENS/BULB		5	33703-341-900	BASE COMP., TAILLIGHT	1	1		A,CM
		6	33708-341-671	CORD COMP., TAILLIGHT	1	1		A,CM
		7	33709-341-671	PACKING, TAILLIGHT LENS	1	1		A,CM
		8	33711-300-000	SUB CORD, TAILLIGHT (BROWN)	1	1		A,CM
		9	33712-300-003	CORD, TAILLIGHT EARTH	1	1		A,CM
		10	33713-300-000	SUB CORD, TAILLIGHT (STANLEY) (GREEN/YELLOW)	1	1		A,CM
		11	33720-300-000	TUBE, WIRE CORD	1	1		A,CM
		12	34906-341-671	BULB, TAILLIGHT (12V32/3CP)	1	1		A,CM
		13	80101-283-000	RUBBER, RR. FENDER CUSHION	3	3		A,CM
		14	84701-410-670ZA	BRACKET, NUMBER PLATE *NH-1*	1	1		A,CM
		15	84706-378-000	COLLAR, TAILLIGHT UNIT	2	2		A,CM
		16	90162-292-000	BOLT, FR. FENDER SETTING	3	3		A,CM
		17	90581-310-000	WASHER, PLAIN, 20MM	2	2		A,CM
		18	90899-283-000	PLUG, CONE	1	1		A,CM
		19	92000-05025-0A	BOLT, HEX., 5X25	2	2		A,CM
		20	93500-04055-4J	SCREW, PAN, 4X55	4	4		A,CM
		21	94101-08000	WASHER, PLAIN, 8MM	3	3		A,CM

1978.09.10

# F-25-1

## Taillight (DK, DM, U)



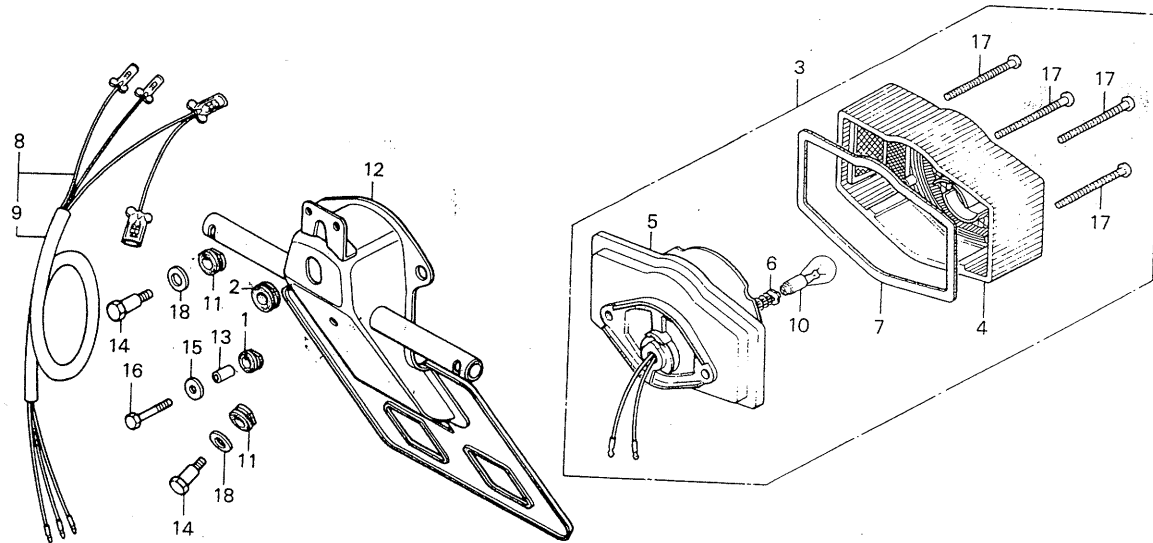
B410-36

Service item	F.R.T.	Ref. No.	Part No.	Description	Reqd. No. CB750 F2 F3	Serial No.	Area code
NUMBER PLATE BRACKET	0.3	1	31403-300-000	RUBBER, REGULATOR CUSHION	2		DK,DM,U
TAIL LIGHT UNIT/TAIL LIGHT BASE	0.2	2	32983-028-000	GROMMET, WIRE HARNESS	1		DK,DM,U
and those related parts		3	33701-341-900	TAILLIGHT UNIT	1		DK,DM,U
• TAIL LIGHT SUB CORD		4	33702-341-003	LENS, TAILLIGHT	1		DK,DM,U
TAIL LIGHT LENS/BULB	0.1	5	33703-341-900	BASE COMP., TAILLIGHT	1		DK,DM,U
		6	33708-341-671	CORD COMP., TAILLIGHT	1		DK,DM,U
		7	33709-341-671	PACKING, TAILLIGHT LENS	1		DK,DM,U
		8	33711-300-000	SUB CORD, TAILLIGHT (BROWN)	1		DK,DM,U
		9	33712-300-003	CORD, TAILLIGHT EARTH	1		DK,DM,U
		10	33713-300-000	SUB CORD, TAILLIGHT (STANLEY) (GREEN/YELLOW)	1		DK,DM,U
		11	33720-300-000	TUBE, WIRE CORD	1		DK,DM,U
		12	34906-313-671	BULB, STOP & TAILLIGHT (12V23/8W)	1		DK,DM,U
		13	80101-283-000	RUBBER, RR. FENDER CUSHION	3		DK,DM,U
		14	84701-410-000ZA	BRACKET, NUMBER PLATE *NH-1*	1		DK,DM,U
		15	84706-378-000	COLLAR, TAILLIGHT UNIT	2		DK,DM,U
		16	90162-292-000	BOLT, FR. FENDER SETTING	3		DK,DM,U
		17	90581-310-000	WASHER, PLAIN, 20MM	2		DK,DM,U
		18	90899-283-000	PLUG, CONE	1		DK,DM,U
		19	92000-05025-0A	BOLT, HEX., 5X25	2		DK,DM,U
		20	93500-04055-0B	SCREW, PAN, 4X55	4		DK,DM,U
		21	94101-08200	WASHER, PLAIN, 8MM	3		DK,DM,U

1978.09.10

# F-25-2

## Taillight (E, ED, F, G)



B410-39

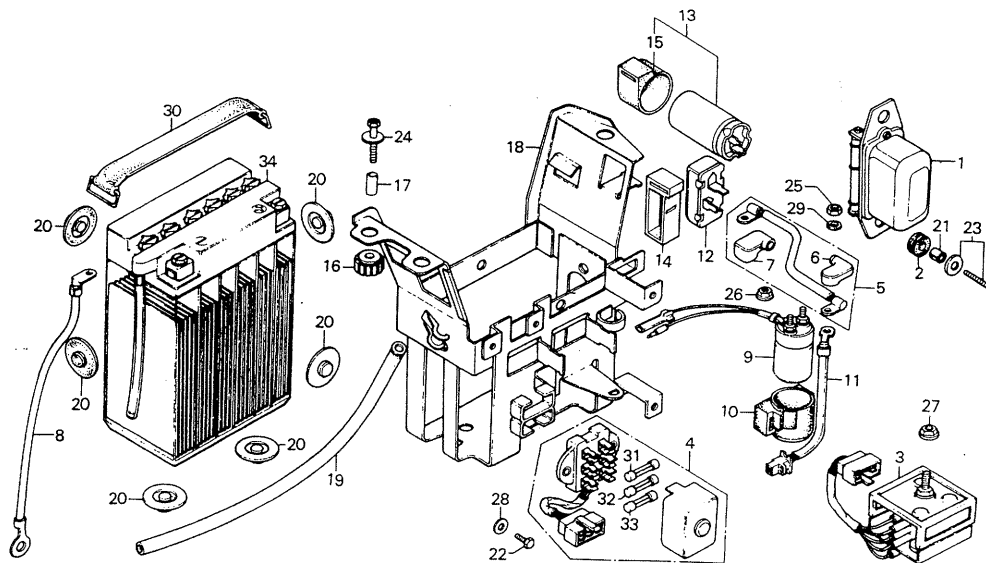
Service item	F.R.T.	Ref. No.	Part No.	Description	Reqd. No. CB750 F2 F3	Serial No.	Area code
NUMBER PLATE BRACKET	0.5	1	31403-300-000	RUBBER, RESULATOR CUSHION	2		E, ED, F, G
TAIL LIGHT UNIT/TAIL LIGHT BASE and those related parts	0.2	2	32983-028-000	GROMMET, WIRE HARNESS	1		E, ED, F, G
• TAIL LIGHT SUB CORD		3	33701-371-602	TAILLIGHT UNIT - 943 ✓	1		E, ED, F, G
TAIL LIGHT LENS/BULB	0.1	4	33702-371-602	LENS, TAILLIGHT - 240 434	1		E, ED, F, G
		5	33703-371-601	BASE COMP., TAILLIGHT	1		E, ED, F, G
		6	33708-371-601	CORD COMP., TAILLIGHT	1		E, ED, F, G
		7	33709-341-671	PACKING, TAILLIGHT LENS	1		E, ED, F, G
		8	33711-371-600	CORD, TAIL & STOP LIGHT	1		E, ED, F, G
		9	33720-300-000	TUBE, WIRE CORD	1		E, ED, F, G
		10	34911-634-611	BULB (12V21/5W) (LOCAL PROCUREMENT)	1		E, ED, F, G
		11	80101-283-000	RUBBER, RR. FENDER CUSHION	3		E, ED, F, G
		12	84701-410-610ZA	BRACKET, NUMBER PLATE *NH-1* - 928 ✓	1		E, ED, F, G
		13	84706-378-000	COLLAR, TAILLIGHT UNIT	2		E, ED, F, G
		14	90162-292-000	BOLT, FR. FENDER SETTING	3		E, ED, F, G
		15	90581-831-650	WASHER, 18MM	2		E, ED, F, G
		16	92000-05025-0A	BOLT, HEX., 5X25	2		E, ED, F, G
		17	93500-04055-0A	SCREW, PAN, 4X55	4		E, ED, F, G
		18	94101-08200	WASHER, PLAIN, 8MM	3		E, ED, F, G

1978.09.10



# F-26

## Battery · Regulator



B405-78

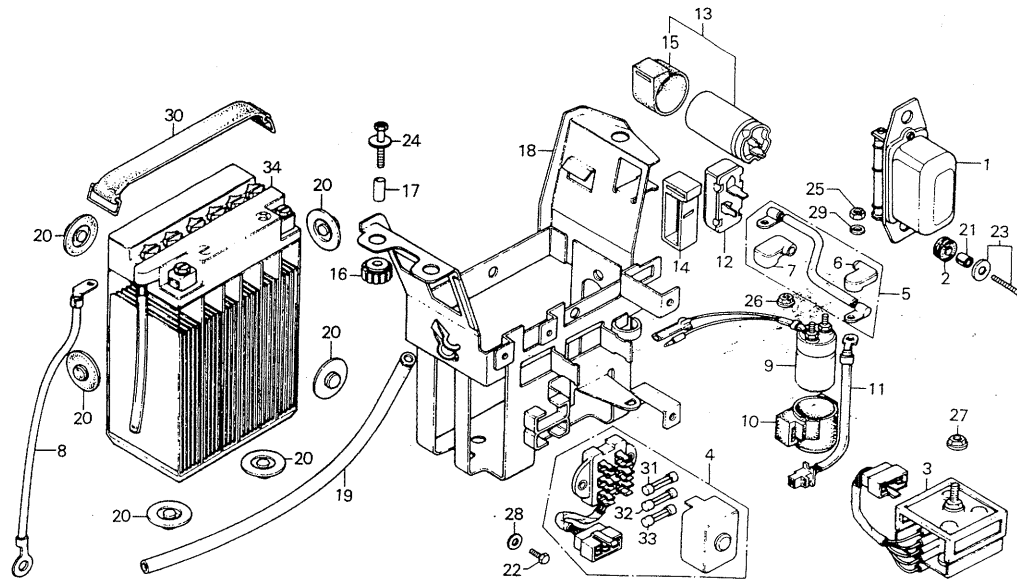
Service item	F.R.T.	Ref. No.	Part No.	Description	Reqd. No. CB750 F2 F3	Serial No.	Area code
BATTERY BOX	0.5	1	31400-300-035	REGULATOR ASSY. (HITACHI)	1	6551 V	
STARTER MAGNETIC SWITCH	0.4	2	31403-300-000	RUBBER, REGULATOR CUSHION	2	2	
BATTERY	0.2	3	31700-341-015	RECTIFIER ASSY., SILICON	1	1880	
• REGULATOR ASSY.		4	32110-341-702	BOX ASSY., FUSE	1	181 V	
• STARTER BATTERY CABLE		5	32401-392-000	CABLE, BATTERY STARTER	1	1	
RECTIFIER ASSY.	0.1	6	32412-300-010	COVER A, BATTERY TERMINAL	1	1	
• WINKER RELAY		7	32413-300-010	COVER B, BATTERY TERMINAL	1	1	
• FUSE/FUSE BOX		8	32601-392-000	CABLE, BATTERY EARTH	1	1	
		9	35850-375-000	SWITCH ASSY., STARTER MAGNETIC	1	1	462 574
		10	35856-286-010	RUBBER, MAGNETIC SHOCK	1	1	
		11	35858-333-000	SUB CORD, MAGNETIC	1	1	
		12	38300-292-670	RELAY ASSY., WINKER	1	1	
		13	38300-405-612	RELAY ASSY., WINKER	1	1	
		14	38300-405-701	RELAY ASSY., WINKER	1	1	
		14	38306-092-670	SUSPENSION, WINKER RELAY	1	1	
		15	38306-292-000	SUSPENSION, WINKER RELAY	1	1	
		16	50323-300-010	RUBBER A, BATTERY	3	3	
		17	50324-300-000	COLLAR, BATTERY BOX	3	3	
		18	50325-405-000	BOX, BATTERY	1	1	
		19	50325-405-770	BOX, BATTERY	1	1	
		19	50326-341-670	TUBE ASSY., BATTERY	1	1	
		20	50327-300-000	RUBBER B, BATTERY	6	6	
		21	84706-286-000	COLLAR, NUMBER BRACKET SETTING	2	2	
		22	92000-05014-0A	BOLT, HEX., 5X14	2	2	
		23	93484-06020-08	BOLT-WASHER, 6X20	2	2	
			93494-06020-08	BOLT-WASHER, 6X20	2	2	

346-430

1978.09.10

# F-26

## Battery • Regulator



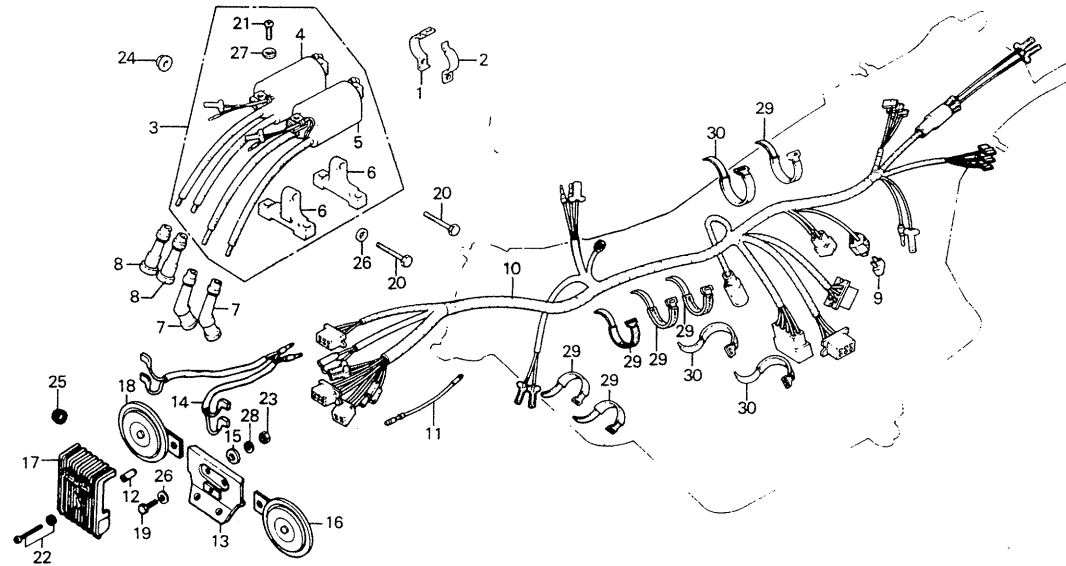
B405-78

Service item	F.R.T.	Ref. No.	Part No.	Description	Reqd. No.		Serial No.	Area code
					CB750	F2 F3		
		24	93484-06025-07	BOLT-WASHER, 6X25	3	3		
		25	94002-06080	NUT, HEX., 6MM	1	1		
		26	94050-06000	NUT, FLANGE, 6MM	1	1		
		27	94050-08000	NUT, FLANGE, 8MM	1	1		
		28	94101-05000	WASHER, PLAIN, 5MM	2	2		
		29	94111-06800	WASHER, SPRING, 6MM	1	1		
		30	95012-17000	BAND F, BATTERY	1	1		
		31	98200-10500	FUSE A (5A)	2	2		
		32	98200-10700	FUSE A (7A)	2	2		
		33	98200-11500	FUSE A (15A)	2	2		
		34	98202-23250	BATTERY, 12N14-3A	1	1		CM,DK,DM,E,ED,F,3,U A
			98203-23250	BATTERY, 12N14-3A	1	1		

1978.09.10

# F-27

## Wire harness · Horn



B410-32B

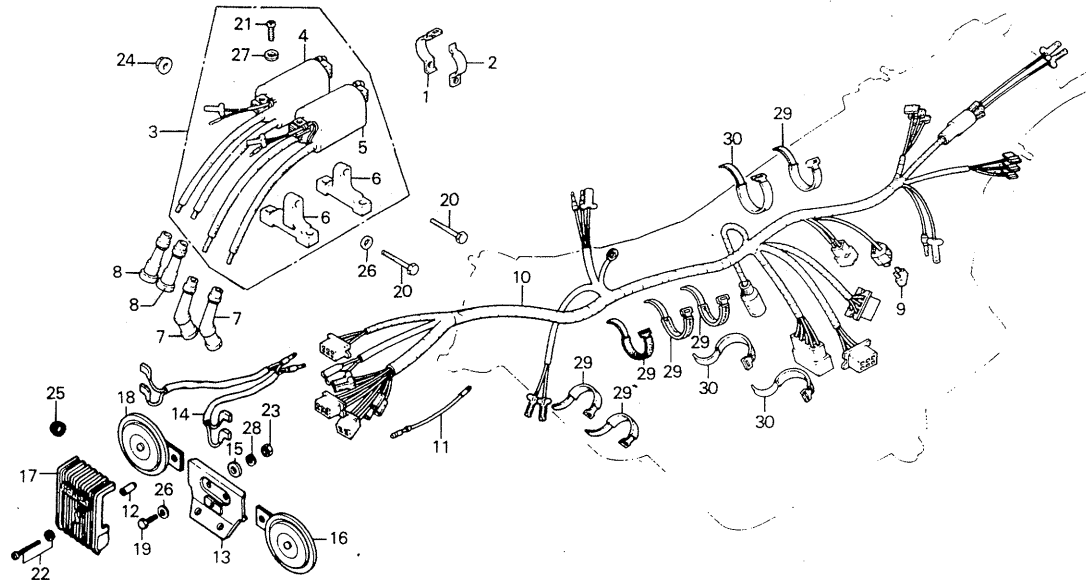
Service item	F.R.T.	Ref. No.	Part No.	Description	Reqd. No. CB750 F2 F3	Serial No.	Area code
WIRE HARNESS	2.2	1	30151-300-000	BAND A, IGNITION COIL SETTING	1		
IGNITION COIL and its related parts	0.5	2	30152-300-000	BAND B, IGNITION COIL SETTING	1		
HORN/HORN SUB CORD	0.2	3	30500-300-004	COIL ASSY., IGNITION	1		
			30500-300-013	COIL ASSY., IGNITION (TOYO)	1	1378 ✓	
		4A	30501-300-004	COIL, R. IGNITION	1		
			30501-300-013	COIL, R. IGNITION (TOYO) 8T2	1		
		5	30502-300-004	COIL, L. IGNITION	1		
			30502-300-013	COIL, L. IGNITION (TOYO)	1		
		6	30511-300-000	BRACKET, IGNITION COIL	2		
			30511-300-004	BRACKET, IGNITION COIL	2		
		7	30700-405-153	CAP ASSY. A, NOISE SUPPRESSOR	2		
		8	30710-405-153	CAP ASSY. B, NOISE SUPPRESSOR	2		
		9	31700-124-003	RECTIFIER ASSY., SILICON	1		
			31700-124-008	RECTIFIER ASSY., SILICON (STANLEY) (SHINDENGEN)	1		
		10	32100-410-000	HARNESS, WIRE	1	1002411	DK,DM,U
			32100-410-010	HARNESS, WIRE - 1307 ✓	1	2110794	A,CM
					1		E,ED,F,;
					1	1002412	DK,DM,U
					1	2110795	A,CM
					1		
		11	32105-404-670	SUB CORD (BROWN/BLUE)	1		A,CM
		12	37312-051-740	COLLAR, SPEEDOMETER CUSHION	1		
		13	38102-410-004	STAY, HORN	1		
		14	38105-410-004	SUB CORD, HORN	1		E,ED,F,G,U
			38105-410-671	SUB CORD, HORN	1		A,CM,DK,DM
		15	38106-410-004	WASHER, PLAIN, 20MM	2		

1578.09.10

# F-27

## Wire harness • Horn

Courtesy of  Honda4Fun  
www.hondafour.com www.honda4fun.com



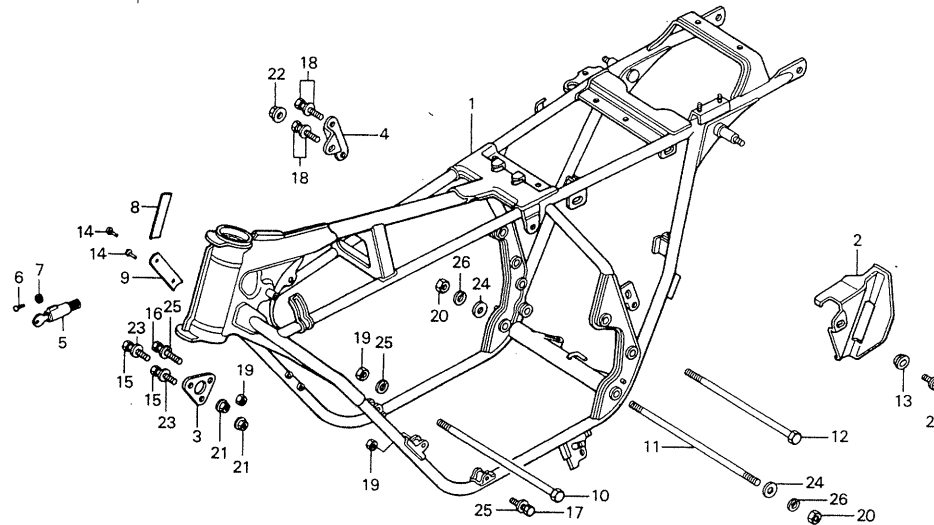
B410-32B

Service item	F.R.T.	Ref. No.	Part No.	Description	Reqd. No.		Serial No.	Area code
					CB750	F2 F3		
		16	38110-410-004	HORN COMP. (HIGH)	1	1		A,CM,DK,DM
			38110-410-621	HORN COMP. (HIGH)	1	1		E,ED,F,G,U
		17	38111-410-000	EMBLEM, HORN	1	1		
		18	38120-410-004	HORN COMP. (LOW)	1	1		A,CM,DK,DM
			38120-410-621	HORN COMP. (LOW)	1	1		E,ED,F,G,U
		19	92000-06016	BOLT, HEX., 6X16	2	2		
		20	92000-06025	BOLT, HEX., 6X25	2	2		
		21	93500-05020-0A	SCREW, PAN, 5X20	4	4		
		22	93891-05020-07	SCREW-WASHER, 5X20	1	1		
		23	94001-06000	NUT, HEX., 6MM	2	2		
		24	94050-06000	NUT, FLANGE, 6MM	2	2		
		25	94050-06080	NUT, FLANGE, 6MM	2	2		
		26	94101-06000	WASHER, PLAIN, 6MM	3	3		
		27	94111-05000	WASHER, SPRING, 5MM	4	4		
		28	94111-06000	WASHER, SPRING, 6MM	2	2		
		29	95014-61100	BAND A1, WIRE	6	6		
		30	95014-61200	BAND A2, WIRE	3	3		

1978.09.10

# F-28

## Frame body



B410-33A

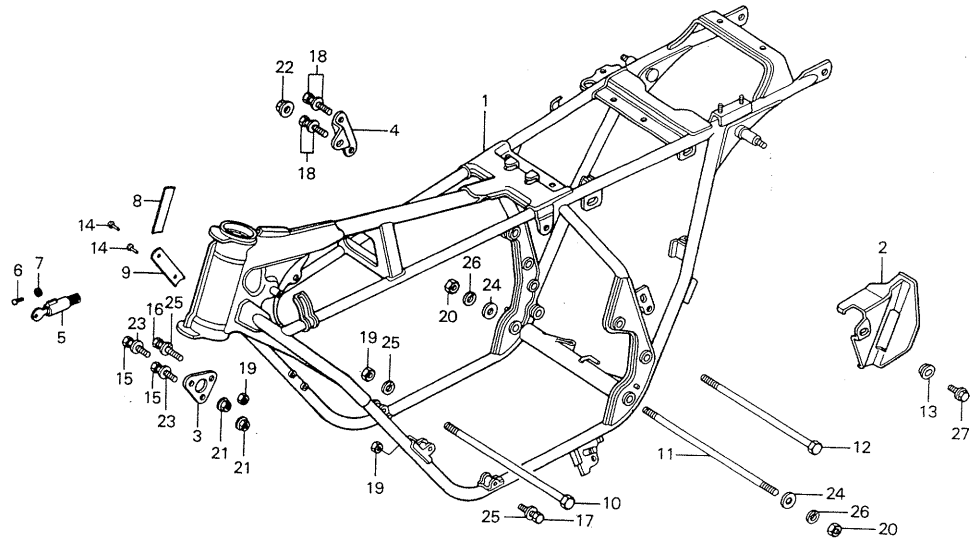
Service item	F.R.T.	Ref. No.	Part No.	Description	Reqd. No. CB750 F2 F3	Serial No.	Area code
FRAME BODY COMP.	☆9.0	1	50100-410-000ZA	BODY COMP., FRAME *NH-1*	1		DK,DM
REAR ENGINE HANGER BRACKET	0.2		50100-410-610ZA	BODY COMP., FRAME *NH-1*	1		E,ED,F,G
FRONT ENGINE HANGER BRACKET	0.1		50100-410-670ZA	BODY COMP., FRAME *NH-1*	1		A,U
• STEERING HANDLE LOCK COMP.					1		CM
			50100-410-790ZA	BODY COMP., FRAME *NH-1*	1	2214075	A
		2	50260-393-770	PROTECTOR, CHAIN	1	2250001	A
		3	50351-300-040B	BRACKET, FR. ENGINE HANGER	1		
		4	50356-392-000	BRACKET, RR. ENGINE HANGER	1		
		5	53600-404-610	LOCK COMP., STEERING HANDLE	1		E,ED,F,G
		6	53603-051-000	RIVET, 4.1MM	1		E,ED,F,G
		7	53604-098-940	WASHER, 4.5MM	1		E,ED,F,G
		8	87125-041-680	PLATE, NAME	1		DK,DM
		9	87501-410-610	PLATE, REGISTERED NUMBER	1		E,ED,F,G
		10	90152-300-010	BOLT A, ENGINE HANGER	1	1	
		11	90155-393-770	BOLT, RR. ENGINE HANGER LOWER	1	1	
		12	90156-300-000	BOLT C, ENGINE HANGER	1	1	
		13	90513-405-000	WASHER, 6X9	1	1	
		14	90841-001-000	SCREW, RIVET, 1.5X5	2		E,ED,F,G
		15	92200-08060-0A	BOLT, HEX., 8X60	2	2	
		16	92200-10050-0A	BOLT, HEX., 10X50	1	1	
		17	92200-10080-0A	BOLT, HEX., 10X80	1	1	
		18	93482-08020-00	BOLT-WASHER, 8X20	2	2	
		19	94030-10200	NUT, HEX., 10MM	3	3	
		20	94030-12200	NUT, HEX., 12MM	2	2	
		21	94050-08000	NUT, FLANGE, 8MM	2	2	

1978.09.10

# F-28

## Frame body

Courtesy of  Honda4Fun  
www.honda4fun.com www.honda4fun.com



B410-33A

Service item	F.R.T.	Ref. No.	Part No.	Description	Reqd. No.		Serial No.	Area code
					CB750	F2 F3		
		22	94050-10000	NUT, FLANGE, 10MM	1	1		
		23	94102-08000	WASHER, PLAIN, 8MM	2	2		
		24	94102-12000	WASHER, PLAIN, 12MM	2	2		
		25	94111-10000	WASHER, SPRING, 10MM	3	3		
		26	94111-12000	WASHER, SPRING, 12MM	2	2		
		27	95700-06012-00	BOLT, FLANGE, 6X12	1	1		

1978.09.10

J11



Courtesy of  Honda4Fun  
www.hondafour.com www.honda4fun.com

Part No.	Block No.	13104-410-000	E-15	14775-410-010	E-5	16025-410-315	E-19	17215-392-000	F-16
		13104-410-003	E-15	14781-410-000	E-5		E-20	17215-393-780	F-16
		13105-410-000	E-15			16026-393-004	E-19	17216-392-000	F-16
11000		13105-410-003	E-15	15000		16028-393-014	E-20	17217-392-000	F-16
		13111-300-000	E-15				E-19	17218-392-000	F-16
11000-410-000	E-14	13202-300-000	E-15	15010-300-000	E-13		E-20	17219-392-000	F-16
11000-410-010	E-14	13202-410-000	E-15	15100-300-000	E-13	16031-393-014	E-19-1	17220-300-010	F-16
11209-300-000	E-14	13204-300-000	E-15	15105-300-010	E-13		E-20-1	17230-405-305	F-16
11210-410-000	E-12	13204-410-000	E-15	15135-300-010	E-13	16032-405-405	E-19	17231-392-000	F-16
11342-410-010	E-8	13206-300-000	E-15	15140-300-010	E-13		E-20	17237-392-000	F-16
11348-392-000	E-8	13206-410-000	E-15	15145-300-000	E-13	16032-410-305	E-19	17238-392-000	F-16
11351-410-010	E-11	13208-300-000	E-15	15147-300-000	E-13	16035-393-004	E-19	17239-392-000	F-16
11355-300-000	E-14	13208-410-000	E-15	15150-300-000	E-13		E-20	17240-405-305	F-16
11360-410-010	E-11	13210-300-000	E-15	15155-300-000	E-13	16045-393-004	E-19-1	17240-405-315	F-16
11395-300-040	E-11	13210-410-000	E-15	15161-300-000	E-13		E-20-1	17247-303-000	F-14
11396-300-060	E-8	13213-333-003	E-15	15166-300-000	E-13	16048-393-004	E-19	17253-405-300	F-16
11397-300-040	E-10	13213-410-003	E-15	15171-300-010	E-13		E-20	17255-405-000	E-2
11397-393-000	E-10	13214-300-000	E-15	15176-300-000	E-13	16100-410-014	E-19	17358-410-000	F-16
11398-300-050	E-12	13214-410-003	E-15	15326-300-000	E-14	16100-410-024	E-19	17359-419-670	F-16
11631-410-010	E-10	13215-410-003	E-15	15331-300-000	E-14	16100-410-034	E-19	17360-405-000	F-16
		13215-410-005	E-15	15332-300-000	E-14	16100-410-601	E-20	17361-405-000	F-16
12000		13215-410-013	E-15	15336-300-010	E-14	16100-410-602	E-20	17361-405-770	F-16
		13215-410-015	E-15	15337-300-010	E-14	16101-410-305	E-19	17362-405-000	F-16
12010-410-000	E-4	13216-410-003	E-15	15411-410-000	E-12	16101-410-315	E-19	17363-405-000	F-16
12021-410-300	E-2	13216-410-005	E-15	15412-300-024	E-12	16101-410-325	E-19	17363-405-770	F-16
12023-410-300	E-2	13216-410-013	E-15	15414-300-000	E-12	16101-410-405	E-20	17364-405-000	F-16
12100-410-000	E-3	13216-410-015	E-15	15415-300-000	E-12	16101-410-425	E-20	17365-405-770	F-16
12100-410-010	E-3	13217-410-003	E-15	15416-410-000	E-12	16102-410-305	E-19	17366-405-770	F-16
12115-300-000	E-3	13217-410-005	E-15	15420-333-000	E-12	16102-410-315	E-19	17369-419-670	F-16
12116-300-000	E-3	13217-410-013	E-15	15423-333-000	E-12	16102-410-325	E-19	17370-419-700	F-16
12191-300-030	E-3	13217-410-015	E-15	15473-300-300	E-12	16102-410-405	E-20	17376-405-770	F-16
12195-410-000	E-2	13218-410-003	E-15	15474-300-310	E-12	16102-410-425	E-20	17520-410-315ZA	F-13
		13218-410-005	E-15	15477-300-300	E-12	16103-410-305	E-19	17520-410-315ZB	F-13
12200-410-000	E-2	13218-410-013	E-15	15510-300-017	E-14	16103-410-315	E-19	17520-410-315ZC	F-13
12209-300-003	E-5	13218-410-015	E-15	15520-392-020	E-14	16103-410-325	E-19	17520-410-770ZA	F-13
12211-250-310	E-2	13315-300-013	E-15	15707-634-000	F-16	16103-410-405	E-20	17520-410-770ZB	F-13
12238-300-010	E-2	13316-300-013	E-15	15713-405-000	E-1	16103-410-425	E-20	17526-390-000	F-13
12251-410-000	E-2	13317-300-013	E-15	15713-405-600	E-1	16104-410-305	E-19	17531-410-000ZA	F-13
12310-410-010	E-1	13318-300-013	E-15	15772-292-010	E-1	16104-410-315	E-19	17531-410-000ZB	F-13
12310-410-600	E-1	13491-300-000	E-16	15772-551-000	E-14	16104-410-325	E-19	17531-410-000ZC	F-13
12321-410-000	E-1	13495-300-000	E-17		F-16	16104-410-405	E-20	17611-045-670	F-23
12321-410-600	E-1	13496-300-000	E-16	16000		16104-410-425	E-20	17611-283-010	F-13
12329-300-020	E-1	13620-300-010	E-16			16111-410-004	E-19-1	17613-392-000	F-13
12361-300-000	E-1						E-20-1	17620-377-720	F-13
12391-300-040	E-1	14000		16010-405-004	E-19-1	16119-393-004	E-19	17631-329-000	F-13
12431-300-010	E-1			16011-382-004	E-20-1		E-20	17735-390-000	F-13
12435-300-003	E-1				E-19-1	16143-393-600	E-20	17738-393-000	F-13
		13000		16011-393-004	E-19-1	16165-410-004	E-19-1	17910-393-010	F-3
					E-20-1		E-20-1	17910-405-610	F-3
13000-300-050	E-15	14401-410-003	E-6	16012-410-004	E-19-1	16195-393-600	E-20	17920-405-610	F-3
13011-392-003	E-15	14431-300-030	E-5	16012-410-601	E-20-1	16198-393-600	E-20	17920-410-000	F-3
13011-392-004	E-15	14432-300-030	E-5	16013-393-004	E-19-1	16199-393-600	E-20	17950-405-000	F-4
13011-392-005	E-15	14461-300-020	E-5		E-20-1	16211-410-000	E-2	17951-404-670	F-4
13011-410-601	E-15	14462-300-010	E-5		E-20-1	16212-410-000	E-2		
13021-392-000	E-15	14500-300-000	E-6	16014-385-680	E-19-1	16213-410-000	E-2	18000	
13021-410-601	E-15	14530-300-010	E-6		E-19-1	16214-410-000	E-2	18200-410-000	F-17
13031-392-000	E-15	14541-300-000	E-6	16015-393-004	E-19-1	16223-283-000	F-16	18200-410-610	F-17
13031-410-601	E-15	14550-300-030	E-6		E-20-1	16290-405-000	E-19	18200-410-650	F-17
13041-392-000	E-15	14592-300-000	E-6	16016-405-004	E-19-1		E-20	18200-410-770	F-17
13041-410-601	E-15	14601-312-000	E-6	16016-410-601	E-20-1	16950-410-005	F-13	18231-392-000	F-17
13051-392-000	E-15	14605-286-020	E-6	16017-410-004	E-19	16950-410-015	F-13	18233-392-000	F-17
13051-410-601	E-15	14606-286-000	E-6		E-20	16951-410-005	F-13	18291-254-000	F-17
13101-410-003	E-15	14607-300-000	E-6	16018-410-004	E-19-1	16951-410-015	F-13	18300-410-003	F-17
13101-410-010	E-15	14611-300-000	E-6		E-20-1	16952-388-005	F-13	18300-410-013	F-17
13102-410-000	E-15	14612-286-000	E-6	16021-393-004	E-19-1	16952-388-015	F-13	18300-410-771	F-17
13102-410-003	E-15	14711-410-010	E-5		E-20-1			18310-410-000	F-17
13103-410-000	E-15	14721-410-010	E-5	16023-393-014	E-19-1	17000		18310-410-671	F-17
13103-410-003	E-15	14751-410-005	E-5		E-20-1			18312-410-000	F-17
		14761-410-005	E-5	16025-410-305	E-19	17211-405-000	F-16		
		14771-410-010	E-5						

Part No.	Block No.								
18312-410-770	F-17	24300-392-000	E-18	30250-300-154	E-7	33000		33605-404-601	F-24-2
18331-410-003	F-17	24421-200-000	E-18	30254-300-300	E-7			33606-374-670	F-24
18331-410-770	F-17	24430-392-000	E-18	30370-300-020	E-7	33100-371-601	F-1-2		F-24-1
18361-410-003	F-17	24434-300-000	E-18	30372-300-300	E-7	33100-371-611	F-1-2	33607-374-670	F-24
18361-410-770	F-17	24435-300-030	E-18	30500-300-004	F-27	33100-371-621	F-1-2		F-24-1
18372-410-000	F-17	24436-392-000	E-18	30500-300-013	F-27	33100-375-003	F-1-1	33609-374-670	F-24
18372-410-010	F-17	24438-392-000	E-18	30501-300-004	F-27	33100-405-671	F-1		F-24-1
18391-310-000	F-17	24440-392-000	E-18	30501-300-013	F-27	33101-300-043	F-1-1	33610-374-671	F-24
18391-390-000	F-17	24441-392-000	E-18	30502-300-004	F-27	33101-405-671	F-1		F-24-1
18391-410-000	F-17	24443-300-000	E-18	30502-300-013	F-27			33650-374-671	F-24
		24444-300-000	E-18	30511-300-000	F-27	33103-346-670	F-1	33650-390-003	F-24-1
		24445-300-020	E-18	30511-300-004	F-27			33650-404-601	F-24-2
		24447-300-000	E-18	30700-405-153	F-27			33655-377-671	F-24-1
		24610-300-010	E-18	30710-405-153	F-27	33107-300-003	F-1		F-24-2
		24641-300-000	E-18					33655-404-601	F-24-2
22000		24651-300-020	E-18	31000				33660-374-671	F-24
22100-392-010	E-9	24652-035-000	E-18			33117-001-023	F-1		F-24-1
22120-300-050	E-9	24652-300-000	E-18	31101-300-035	E-10			33701-341-900	F-25-1
22201-300-000	E-9	24661-300-000	E-18	31102-300-035	E-10			33701-341-910	F-25
22202-392-000	E-9	24663-300-000	E-18	31102-300-045	E-10	33119-371-003	F-1	33701-371-602	F-25-2
22321-283-000	E-9	24666-300-000	E-18	31103-300-035	E-10			33702-341-003	F-25-1
22322-371-020	E-9	24701-410-000	F-18	31103-300-045	E-10	33120-371-601	F-1-2	33702-341-671	F-25
22350-300-030	E-9			31110-300-015	E-10	33120-371-611	F-1-2	33702-371-602	F-25-2
22360-300-010	E-9	28000		31110-300-154	E-10	33120-375-003	F-1-1	33703-341-900	F-25
22401-410-000	E-9	28101-300-000	E-11	31200-300-030	E-11	33121-405-671	F-1		F-25-1
22810-300-000	E-8	28106-300-000	E-11	31201-292-158	E-11			33703-371-601	F-25-2
22815-300-000	E-8	28109-300-000	E-11	31204-292-158	E-11	33125-087-761	F-1-1	33708-341-671	F-25
22820-410-000	E-8	28120-300-000	E-11	31205-286-158	E-11	33125-292-670	F-1		F-25-1
22820-410-010	E-8	28125-516-030	E-10	31206-286-158	E-11	33128-292-670	F-1	33708-371-601	F-25-2
22830-300-000	E-8	28126-516-020	E-10	31270-300-005	E-11			33709-341-671	F-25
22830-410-010	E-8	28210-300-000	E-16	31270-300-154	E-11				F-25-1
22841-410-000	E-8	28240-392-000	F-18	31280-300-000	E-11	33130-300-671	F-1-2		F-25-2
22846-300-010	E-9	28250-300-020	E-16	31282-300-020	E-11			33711-300-000	F-25
22860-300-006	E-8	28252-300-020	E-16	31283-300-000	E-11	33130-323-003	F-1-1		F-25-1
22870-405-610	F-3	28253-300-000	E-16	31400-300-035	F-26	33153-375-671	F-1	33711-371-600	F-25-2
22870-410-000	F-3	28254-300-000	E-16	31403-300-000	F-23			33712-300-003	F-25
		28255-300-000	E-16			33170-323-003	F-1-1		F-25-1
23000		28256-300-000	E-16			33170-390-611	F-1-2	33713-300-000	F-25
23110-392-000	E-16	28261-300-010	E-16	31700-124-003	F-27	33180-371-601	F-1-2		F-25-1
23131-300-015	E-16	28271-393-000	E-16	31700-124-008	F-27	33321-371-672	F-1	33720-300-000	F-25
23150-300-010	E-17	28292-250-010	F-18	31700-341-015	F-26	33400-371-601	F-24-2		F-25-1
23210-392-000	E-17	28293-250-000	F-18			33400-377-671	F-24		F-25-2
23220-371-000	E-17	28311-329-000	F-18	32000		33400-390-003	F-24-1	33741-340-670	F-1
23421-300-050	E-17	28321-300-000	F-18			33401-377-671	F-24		F-1-1
23425-392-000	E-17	28333-300-000	F-18	32100-410-000	F-27	33401-390-003	F-24-1		F-1-2
23431-392-000	E-17			32100-410-010	F-27	33402-377-671	F-24	33743-375-000	F-1
23441-410-000	E-17	30000		32105-404-670	F-27				F-1-1
23450-392-000	E-17	30151-300-000	F-27	32110-341-702	F-26			33905-371-601	F-1-2
23461-410-000	E-17	30152-300-000	F-27	32111-300-000	E-12	33405-377-671	F-24		F-1-2
23471-300-010	E-17	30200-300-015	E-7	32111-323-000	E-14	33406-377-671	F-24	34000	
23481-300-020	E-17	30200-300-154	E-7	32116-300-010	E-10				F-24-1
23485-392-000	E-17	30201-300-015	E-7	32123-390-000	F-4	33407-371-601	F-24-2	34901-371-601	F-1-2
23485-410-003	E-17	30201-300-154	E-7	32161-404-000	F-3	33407-377-671	F-24	34901-371-621	F-1-2
23485-410-010	E-17	30203-300-005	E-7	32177-410-610	F-3			34902-259-000	F-2
23491-392-000	E-17	30204-300-005	E-7	32401-392-000	F-26	33421-371-000	F-24-2	34903-071-003	F-1-1
23501-392-000	E-17	30204-300-005	E-7	32412-300-010	F-26	33450-371-601	F-24-2	34903-388-611	F-1-2
23511-392-000	E-16	30205-003-005	E-7	32413-300-010	F-26	33450-377-671	F-24	34905-268-671	F-24
23521-405-000	E-16	30205-300-154	E-7	32601-392-000	F-26	33450-390-003	F-24-1		F-24-1
23801-405-010	E-16	30215-300-005	E-7	32701-392-700	F-2	33455-377-671	F-24	34906-313-671	F-24
23801-410-000	E-16	30215-300-154	E-7	32702-392-700	F-2	33600-374-671	F-24		F-25-1
		30220-300-005	E-7	32906-049-000	F-8	33600-390-003	F-24-1	34906-341-671	F-25
24000		30220-300-154	E-7	32983-028-000	F-25	33600-404-601	F-24-2	34908-634-611	F-24-2
24211-300-020	E-18	30231-300-010	E-7			33602-371-601	F-24-2	34911-634-611	F-25-2
24212-300-030	E-18	30233-300-000	E-7			33604-374-670	F-24		
24213-300-020	E-18	30250-300-005	E-7	32985-300-000	F-23			35000	
24261-300-030	E-18					33605-377-671	F-24-1		
								35010-393-770	F-4
								35010-393-771	F-4
								35010-410-000	F-4

PART NO. INDEX



Part No.	Block No.	40000		43504-371-013	F-10	45500-410-651	F-5	50640-410-000	F-19
		40510-410-000	F-21	43505-410-003	F-10	45500-410-671	F-5	50641-410-000	F-19
35010-410-610	F-4	40513-310-000	F-6	43511-410-003	F-10	45500-410-681	F-5	50642-405-000	F-19
35010-410-611	F-4	40514-310-000	F-6	43512-410-003	F-10	45509-371-003	F-5	50644-300-670	F-19
35010-410-612	F-4	40514-333-000	F-21	43513-410-003	F-10	45511-371-003	F-5	50661-405-000	F-19
35100-377-007	F-4	40530-405-305	F-21	43514-410-000	F-10	45513-341-671	F-5	50701-410-000	F-20
35100-377-612	F-4	40530-405-335	F-21	43515-410-000	F-10		F-10	50702-410-000	F-20
35100-422-017	F-4	40530-405-345	F-21	43516-410-000	F-10	45513-341-771	F-5	50710-405-000	F-20
35100-422-602	F-4	40535-405-671	F-21	43525-410-000	F-10		F-10	50711-405-000	F-20
35130-404-671	F-3	40535-405-672	F-21	43530-392-003	F-10	45513-371-651	F-5	50711-410-000	F-20
35150-404-003	F-3	40543-405-000	F-12	43530-410-305	F-10		F-10	50712-405-000	F-20
35200-410-003	F-3	40548-268-000	F-21			45516-371-003	F-5	50715-405-000	F-20
35200-410-671	F-3			44000		45517-300-003	F-5		
35340-393-771	F-5	41000		44301-393-000	F-9	45518-371-003	F-5	51000	
35350-086-721	F-18			44311-410-000	F-9	45520-300-000	F-10		
35357-107-010	F-18	41201-405-000	F-12	44311-410-000	F-9	45520-371-003	F-5	51400-410-003ZA	F-7
35360-341-000	F-3	41201-410-000	F-12	44620-410-000	F-9	45521-300-010	F-5	51401-393-000	F-7
35500-333-014	E-11	41211-405-000	F-12	44643-300-000	F-9		F-10	51410-393-003	F-7
35752-300-010	E-18	41231-283-000	F-12	44660-410-670	F-9	45522-300-010	F-5	51412-340-000	F-7
35754-300-020	E-18	41231-286-000	F-12	44680-410-000	F-9	45530-410-305	F-5	51421-410-003ZA	F-7
35850-375-000	F-26	41241-300-050	F-12	44703-410-003	F-9			51432-371-003	F-7
35856-286-010	F-26			44711-341-003	F-9	46000		51437-400-771	F-7
35858-333-000	F-26	42000		44711-341-004	F-9			51440-393-003	F-7
				44711-341-671	F-9	46138-568-671	F-5	51466-375-000	F-7
36000		42301-393-000	F-12	44711-341-672	F-9	46402-642-910	F-10	51500-410-003ZA	F-7
		42311-357-010	F-12	44712-300-003	F-9	46500-410-000	F-18	51521-410-003ZA	F-7
36163-393-013	E-20	42311-392-000	F-12	44712-300-004	F-9	46503-371-000	F-18	51602-410-000	F-7
		42605-393-000	F-12	44800-410-003	F-9	46504-371-000	F-10	51602-410-610	F-7
37000		42610-405-000	F-12	44800-425-013	F-9	46510-410-000	F-18	51606-410-000	F-7
		42620-392-000	F-12	44830-390-000	F-2	46514-410-000	F-18	51606-410-610	F-7
37200-405-671	F-2	42660-410-670	F-12	44831-323-000	F-2	46514-410-770	F-18	51622-323-000	F-7
37200-405-681	F-2	42703-410-003	F-12					51634-410-003	F-7
37200-405-781	F-2	42705-410-000	F-9	45000		50000			
37202-371-610	F-2			45100-410-006	F-8	50100-410-000ZA	F-28	52000	
37211-405-000	F-2	42706-410-000	F-9	45101-410-006	F-8	50100-410-610ZA	F-28	52100-410-000ZA	F-21
37220-390-007	F-13			45105-410-006	F-8	50100-410-670ZA	F-28	52108-457-300	F-21
37221-390-000	F-13	42711-341-003	F-12			50100-410-790ZA	F-28	52136-405-000	F-21
37235-323-700	F-2	42711-341-004	F-12	45105-410-016	F-8	50146-410-000	F-18	52141-390-000	F-21
37236-404-000	F-2	42711-341-671	F-12			50223-392-000	F-15	52144-362-000	F-21
37238-323-700	F-2	42711-341-672	F-12	45105-410-026	F-11	50260-393-770	F-28	52400-410-000	F-22
37243-323-700	F-2	42712-300-003	F-12	45107-410-006	F-8	50301-268-000	F-4	52400-410-013	F-22
37244-307-670	F-2	42712-300-004	F-12			50302-268-000	F-4	52400-410-610	F-22
37246-404-000	F-2			45108-410-006	F-11	50323-300-010	F-26	52401-410-000ZA	F-22
37250-410-009	F-2	43000				50324-300-000	F-26	52401-410-010ZA	F-22
37250-410-771	F-2			45109-371-006	F-8	50325-405-000	F-26	52403-371-003	F-22
37260-362-000	F-2	43100-410-006	F-11			50325-405-770	F-26	52403-410-013	F-22
37261-362-000	F-2	43100-410-016	F-11	45110-410-006	F-8	50326-341-670	F-26	52410-392-003	F-22
37312-051-740	F-27	43100-410-026	F-11	45114-371-006	F-8	50327-300-000	F-26	52410-392-611	F-22
37600-377-018	F-2	43110-410-006	F-11	45116-371-006	F-8	50341-392-000	F-14	52410-410-003	F-22
		43120-371-000	F-12			50351-300-040B	F-28	52422-371-003	F-22
38000		43140-410-000	F-11	45119-371-000	F-8	50356-392-000	F-28	52422-410-003	F-22
		43209-371-006	F-8			50500-410-000	F-19	52458-392-003	F-22
38102-410-004	F-27			45123-410-000	F-5	50500-410-610	F-19	52458-410-003	F-22
38105-410-004	F-27	43218-371-006	F-8	45125-410-003	F-5	50523-300-010	F-19	52459-371-003	F-22
38105-410-671	F-27			45126-371-003	F-5	50526-300-000	F-19	52484-292-000	F-22
38106-410-004	F-27	43310-410-003	F-10	45126-405-611	F-5	50530-390-680	F-19	52517-385-000	F-22
38110-410-004	F-27	43352-568-003	F-8	45131-410-006	F-8	50540-390-000	F-19	52517-410-003	F-22
38110-410-621	F-27					50540-390-610	F-19		
38111-410-000	F-27	43353-548-003	F-8	45132-410-006	F-11	50548-356-700	F-19	53000	
38120-410-004	F-27					50549-356-700	F-19		
38120-410-621	F-27	43431-410-000	F-11	45133-371-006	F-11	50603-033-000	F-19	53100-405-610	F-4
38300-292-670	F-26	43435-392-000	F-11			50610-410-000	F-20	53100-410-000	F-4
38300-405-612	F-26	43500-410-621	F-10	45146-300-000	F-5	50615-410-000	F-19	53124-250-000	F-4
38300-405-701	F-26	43500-410-622	F-10	45200-410-006	F-8	50617-300-000	F-19	53131-371-000	F-4
38306-092-670	F-26	43500-410-651	F-10	45201-410-006	F-8	50618-405-000	F-19	53141-300-010	F-3
38306-292-000	F-26	43500-410-652	F-10			50618-431-670	F-19	53165-390-780	F-3
38400-341-674	F-7	43500-410-671	F-10	45210-410-006	F-11	50619-405-000	F-19	53166-390-780	F-3
		43500-410-672	F-10	45251-410-000	F-9	50630-410-000	F-19	53175-353-770	F-5
		43504-371-003	F-10	45500-410-621	F-5	50632-405-000	F-19	53175-393-771	F-5



Courtesy of [www.honda4fun.com](http://www.honda4fun.com) **Honda4Fun**  
[www.honda4fun.com](http://www.honda4fun.com)



Part No.	Block No.								
53190-410-000	F-3	77216-392-010ZH	F-15	87506-405-770	F-23	90154-404-610	F-24-2	90841-001-000	F-28
53192-268-000	F-3	77217-392-010ZF	F-15	87507-405-670	F-21	90155-369-000	F-4	90899-283-000	F-25
53200-410-000ZA	F-4	77217-392-010ZG	F-15	87512-371-670	F-23	90155-393-770	F-28		F-25-1
53200-410-610ZA	F-4	77220-340-011	F-15	87523-410-790	F-2	90156-300-000	F-28		
53211-268-000	F-4	77226-392-300	F-15	87560-375-680A	F-13	90162-292-000	F-25	91000	
53212-250-000	F-4	77228-340-001	F-15				F-25-1		
53215-250-000	F-4	77229-340-001	F-15	88000			F-25-2	91001-035-000	E-17
53220-286-000	F-4	77230-399-007	F-15				F-4	91002-300-004	E-17
53230-405-000	F-4			88110-304-621	F-3	90185-371-000	F-24	91002-300-008	E-17
53600-404-610	F-28			88110-333-611	F-3	90192-377-671	F-24-1	91003-235-000	E-17
53603-051-000	F-28	80000		88110-369-650	F-3		F-24-2	91004-300-000	E-16
53604-098-940	F-28			88120-304-621	F-3	90205-300-000	E-5	91006-300-008	E-16
		80100-392-000	F-23	88120-333-611	F-3	90231-200-010	E-9	91008-300-008	E-16
		80101-283-000	F-25	88120-369-650	F-3	90301-376-003	F-22	91010-300-008	E-16
			F-25-1			90301-385-003	F-22	91101-516-000	E-10
			F-25-2	89000		90305-333-000	F-9	91201-300-003	E-15
		80105-341-010	F-23			90305-393-000	F-12	91202-216-003	E-8
		80108-061-000	F-24	89010-410-000	F-14	90309-315-000	F-22	91204-286-003	E-8
			F-24-1	89101-371-013	F-14	90309-357-000	F-9	91204-286-005	E-8
		80110-392-000	F-23	89103-371-000	F-14		F-12	91205-405-005	E-16
		80111-392-000	F-23	89215-404-670	F-14	90313-512-000	F-14	91206-286-005	E-11
		80112-392-000	F-23	89216-323-000	F-14		F-15	91206-286-013	E-11
		80113-392-000	F-23	89221-371-000	F-14		F-3	91211-286-003	E-1
		80114-392-000	F-23				F-23	91215-300-003	E-11
		80121-323-630	F-23	90000		90321-315-670	F-21	91252-300-003	F-9
		80124-351-000	F-23			90325-323-630	F-21	91253-286-013	F-12
		80250-392-600	F-23	90009-300-010	E-6	90354-268-000	F-4	91254-400-771	F-7
		80250-410-000	F-23	90012-300-000	E-5	90355-369-000	F-4	91255-300-033	F-7
				90012-392-000	F-15	90401-405-000	E-16	91258-300-013	F-12
		83000		90014-392-010	E-10	90402-822-000	E-8	91258-410-003	F-9
				90018-300-000	E-1	90417-028-000	E-18	91258-410-006	F-9
		83551-300-000	F-14	90033-300-030	E-14	90425-300-000	E-10	91258-410-013	F-9
		83600-392-000ZB	F-14	90033-410-000	E-14	90431-292-000	E-9	91258-410-013	F-9
		83600-392-000ZC	F-14	90034-300-030	E-14	90432-392-000	E-9	91301-283-005	E-8
		83600-392-000ZD	F-14	90040-300-000	E-14	90436-392-000	E-18		E-17
		83606-356-000	F-23	90041-300-000	E-14	90439-300-000	E-1		E-7
		83700-410-000ZA	F-14	90042-300-000	E-14	90441-377-000	E-2	91301-300-000	E-3
		83700-410-000ZB	F-14	90042-300-000	E-14	90443-107-000	E-2	91301-410-000	E-1
		83700-410-000ZC	F-14	90048-300-000	E-14	90451-371-000	E-17	91302-001-020	E-13
				90052-300-000	E-4	90452-371-000	E-17	91302-028-000	E-14
		84000		90053-300-000	E-10	90453-300-000	E-4		E-12
				90054-300-000	E-4	90458-292-000	E-17	91304-028-000	E-3
				90055-300-000	E-2	90458-506-810	E-17	91304-286-000	E-2
		84101-410-000	F-23	90081-246-000	E-6	90481-292-000	E-9	91305-323-000	F-16
		84101-410-610	F-23	90105-371-003	F-5	90483-034-000	F-15	91305-405-770	E-14
		84103-392-000	F-23	90105-390-000	F-17	90485-035-000	E-2	91309-035-000	E-11
		84701-410-000ZA	F-25-1	90108-283-000	F-19		E-14	91309-300-000	E-3
		84701-410-610ZA	F-25-2	90114-310-000	F-3	90501-310-000	F-18	91310-300-000	E-14
		84701-410-670ZA	F-25	90114-393-770	F-5	90503-283-000	F-4	91311-044-000	E-18
		84706-286-000	F-19	90116-283-010	F-7	90512-300-000	F-14		E-14
			F-26	90116-410-006	F-8		F-23		E-12
		84706-375-000	F-2		F-11	90512-392-000	F-23		E-2
		84706-378-000	F-25	90119-300-000	F-12	90513-405-000	F-28		E-14
			F-25-1	90120-371-000	F-1-2	90514-341-670	F-19		F-13
			F-25-2	90120-377-000	F-1	90514-700-000	F-15		F-14
		87000			F-1-1	90521-292-000	F-22		F-4
				90121-393-770	F-21	90526-268-000	F-21	91456-371-770	
				90123-300-000	F-7	90543-273-000	F-7		
		87121-410-000	F-13	90124-392-000	F-11	90544-283-000	F-7	92000	
		87122-410-000	F-13	90125-329-010	F-12	90545-300-000	F-5		
		87125-041-680	F-28	90125-404-610	F-19		F-10	92000-05014-0A	F-26
		87125-392-771	F-14	90125-410-000	F-19	90545-323-700	F-2	92000-05016-0A	E-4
		87127-392-000	F-14	90126-410-000	F-4	90555-283-000	F-4	92000-05025-0A	F-25
		87127-410-770	F-14	90128-341-000	F-12	90581-310-000	F-25		F-25-1
		87311-516-000	F-13	90141-300-000	F-14		F-25-1		F-25-2
		87501-410-610	F-28	90143-392-000	F-16	90581-831-650	F-25-2	92000-06010	F-7
		87504-028-670	F-21	90145-300-000	F-5	90601-300-000	E-17	92000-06012-02	E-11
		87505-410-670	F-21		F-10	90602-371-000	E-9	92000-06012	F-23
		87505-410-680	F-21	90145-634-670	F-15	90646-657-000	E-1	92000-06016	E-10
		87506-405-000	F-23	90152-300-010	F-28	90753-283-000	F-12		E-16
						90809-300-300	E-17		E-18



Courtesy of [www.hondafour.com](http://www.hondafour.com) [www.honda4fun.com](http://www.honda4fun.com)

Part No.	Block No.	93500-05016-0B 93500-05020-0A	F-1-2 F-16 F-27	94001-08000-0S 94001-08020-0S 94001-08070-0S 94002-06000-0S	F-10 F-4 F-2 E-6 F-5	94111-03800 94111-04800	E-20-1 E-19 E-19-1 E-20 E-20-1	95014-71702 95014-71802 95014-72102 95014-72402 95015-81000 95020-11300	F-19 F-19 F-19 F-19 F-20 F-4
92000-06016	F-14	93500-05025-1A	E-1	94002-06080	F-26	94111-05000	F-1	95020-11300	F-16
92000-06020	F-27	93500-06020-0H	F-8	94002-08000-0S	E-8		F-1-1 F-1-2	95700-06012-00	F-28
92000-06025	F-6	93500-06020-49	E-19	94011-08000-0S	F-12		F-15	95700-06016-00	F-4
	F-18	93500-06020	E-20	94021-06020-0S	F-11		F-27	95700-06018-00	F-19
92000-08016-0B	F-4		E-10	94030-08000	F-7	94111-06000	E-18	95700-06022-00	E-9
92000-08028-0B	F-18		E-13	94030-10000-0S	F-19		F-15	95700-06028-00	E-12
92000-10025-0B	F-1-2		F-16	94030-10000	F-20		F-23	95700-06035-00	E-2
92100-08020-0A	E-4	93500-06028	E-8	94030-10200	F-28		F-27		E-13
92200-08060-0A	F-28		E-10	94030-12000	F-12	94111-06700	F-2	95700-06040-00	E-6
92200-10050-0A	F-28	93500-06032	E-10	94030-12200	F-28	94111-06800	E-19		E-12
92200-10080-0A	F-28		E-11	94050-06000	E-4		E-20		E-14
92600-08085-0B	F-23		E-13		E-7		F-26	95700-06050-00	E-12
92700-08050-0E	E-2	93500-06035	F-20		F-24	94111-08000	F-7		E-14
92700-08050-3B	F-7		E-8		F-24-1	94111-08700	F-2	95700-06055-00	E-11
92800-12000	E-12		E-10		F-24-2	94111-10000	F-1		E-14
	F-14	93500-06040	E-11		F-26		F-1-1	95700-06080-00	E-14
93000			E-11		F-27		F-1-2	95700-06090-00	E-2
		93500-06050	E-11	94050-06080	F-13		F-28	95700-06100-00	E-14
93000-06035-02	F-24	93500-06055	E-11		F-27	94111-12000	F-28	95700-08055-00	E-14
	F-24-1	93500-06060	E-1	94050-08000	E-2	94201-16150	F-18	95700-08080-00	E-14
	F-24-2	93500-06080	E-1		E-14		F-19	95700-10032-00	F-20
93000-08074-0B	F-4		F-16		F-19		F-20	95700-10035-00	F-20
93200-10032-0B	F-22	93600-05010-0H	E-19		F-26	94201-20180	F-11	95700-10040-00	F-4
93481-06025-00	E-14		E-20		F-28	94201-25300	F-19	95700-10045-00	F-20
	F-5	93600-06016-07	F-15	94050-08080	F-17	94201-40300	F-12	95800-08025-00	F-17
93481-06028-00	F-19	93600-06020	E-17	94050-10000	E-14	94251-05000	F-1-1	95800-10032-00	F-8
	F-23	93600-06028	E-18		F-20	94251-06000	F-15	95812-08100-00	F-9
93481-08020-00	F-4	93700-05016-0A	F-9		F-28	94301-08140	E-2		
93481-08025-0B	F-17	93700-06016-02	E-8	94101-04000	F-15		E-8	96000	
93481-08040-00	F-19	93700-06025-02	F-24		F-16		E-10		
93481-08045-00	F-10		F-24-1	94101-05000	E-4		E-11	96100-60030	E-9
	F-19	93700-06032-02	E-7		F-26	94301-10160	E-14	96100-62040	E-17
93482-06025-00	F-10	93891-04008-07	F-23	94101-05700	F-2	94301-12180	E-3	96140-63020-10	F-9
93482-08020-00	E-16	93891-04016-07	F-23	94101-06000	E-14	94302-04080	E-13	96140-63040-10	F-12
	F-28	93891-04020-00	F-16		F-5	94591-45000	F-1	96140-63050-10	F-12
93482-08028-00	F-18	93891-05012-00	E-7		F-15		F-1-1	96201-80000	F-21
93483-06012-00	F-16	93891-05020-07	F-27		F-16		F-1-2	96211-08000	F-4
93483-06014-00	F-21	93892-05016-07	F-11		F-20	94601-15000	E-15		F-18
93484-06020-0B	F-26	93892-05025-00	F-3		F-23	94608-50000	F-7		
93484-06025-07	F-26	93892-05032-00	F-3		F-27			98000	
93494-06020-0B	F-23	93893-04012-00	F-5	94101-06200	E-11	95000			
	F-26	93894-05028-00	F-2	94101-06700	F-2			98069-38710	E-2
93500-03008-0H	E-19-1	93894-05032-00	F-2	94101-08000	F-7	95001-35170-40	F-16	98069-38716	E-2
	E-20-1	93901-14110	F-1		F-11	95001-55160-40	F-13	98069-58717	E-2
	F-24		F-1-1		F-14	95002-01160	F-16	98069-58721	E-2
	F-24-1		F-1-2		F-19	95002-02070	E-19	98069-58726	E-2
	F-24-2	93902-24280	F-2		F-25		E-20	98069-58727	E-2
93500-03008-1A	F-1			94101-08200	F-25-1		E-16	98200-10500	F-26
	F-1-2	94000			F-25-2		E-20	98200-10700	F-26
93500-04008-0H	E-19			94101-08700	F-2	95002-02080	E-20	98200-11500	F-26
	E-20	94001-04000-0S	F-15	94101-10000	F-2	95002-02100	F-13	98202-23250	F-26
93500-04012-0H	E-19-1	94001-04000	F-16		F-1-1	95002-02130	F-13	98203-23250	F-26
	E-20-1	94001-05000-0S	F-15		F-1-2	95002-70000	F-16		
	E-19-1	94001-06000	E-18	94101-10200	F-1	95003-27055-31	F-13		
	E-20-1		F-3	94102-08000	F-17	95003-27067-31	F-13		
93500-04022-0A	E-2		F-15		F-28	95003-50007-20	F-19	99000	
93500-04055-0A	F-25-2		F-16	94102-08200	F-4	95005-12150-20	E-14	99001-10120	F-14
93500-04055-0B	F-25-1		F-20		F-18	95005-12280-20	F-16	99001-14170	F-14
93500-04055-4J	F-25		F-23	94102-12000	F-28	95011-40000	F-18	99002-13500	F-14
93500-05006-0G	F-2		F-27	94108-17000	E-12	95011-61000	F-17	99003-10000	F-14
93500-05008-0H	F-1-2	94001-06070	F-2	94109-12000	E-12	95011-63000	F-13	99003-20000	F-14
93500-05016-0B	F-1		E-19		F-14	95012-17000	F-26	99003-30000	F-14
	F-1-1	94001-06080	E-20	94109-14000	F-14	95014-61100	F-27	99003-50000	F-14
				94111-03800	E-19-1	95014-61200	F-27	99006-12000	F-14



Courtesy of [www.hondafour.com](http://www.hondafour.com) [www.honda4fun.com](http://www.honda4fun.com)



