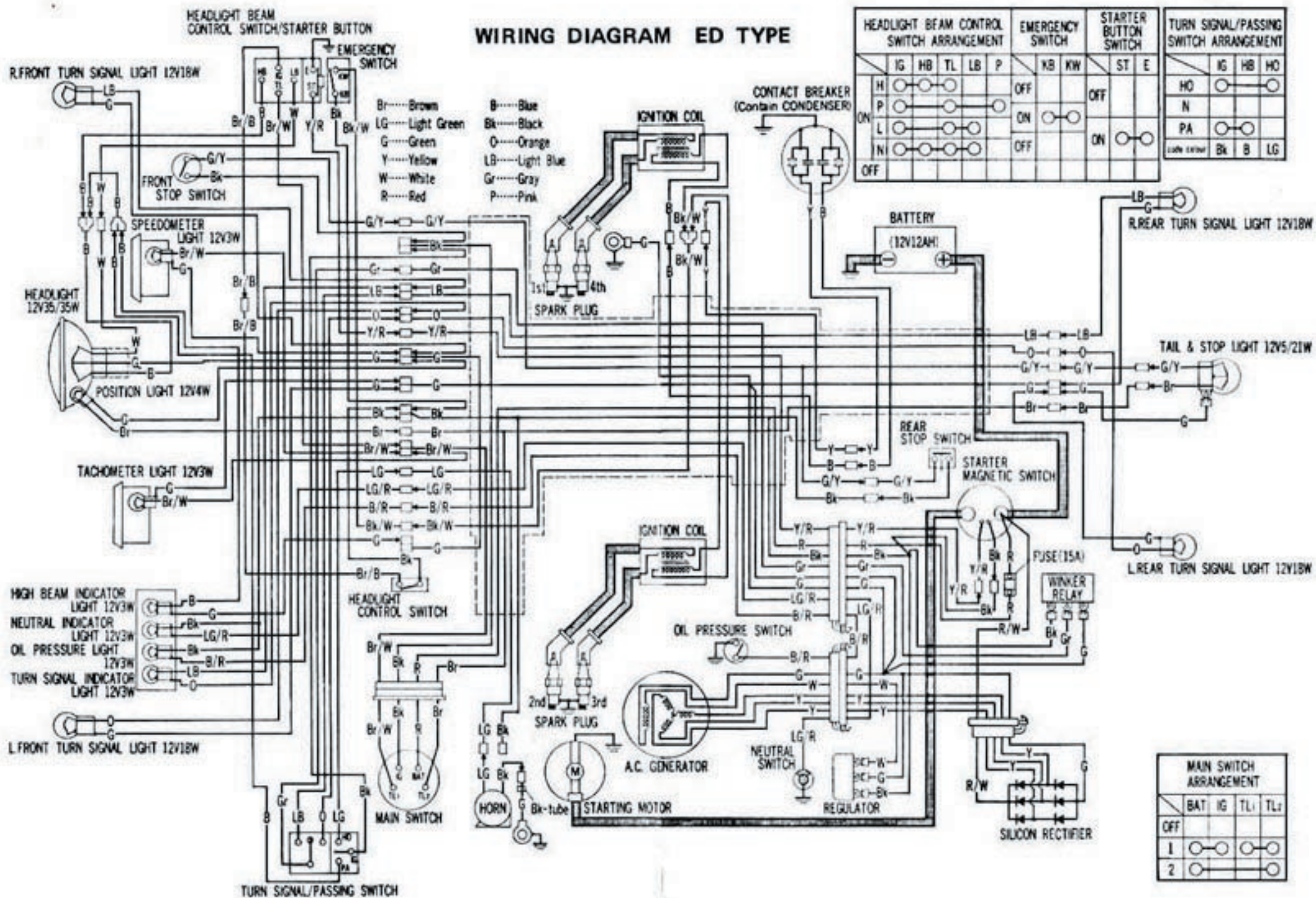
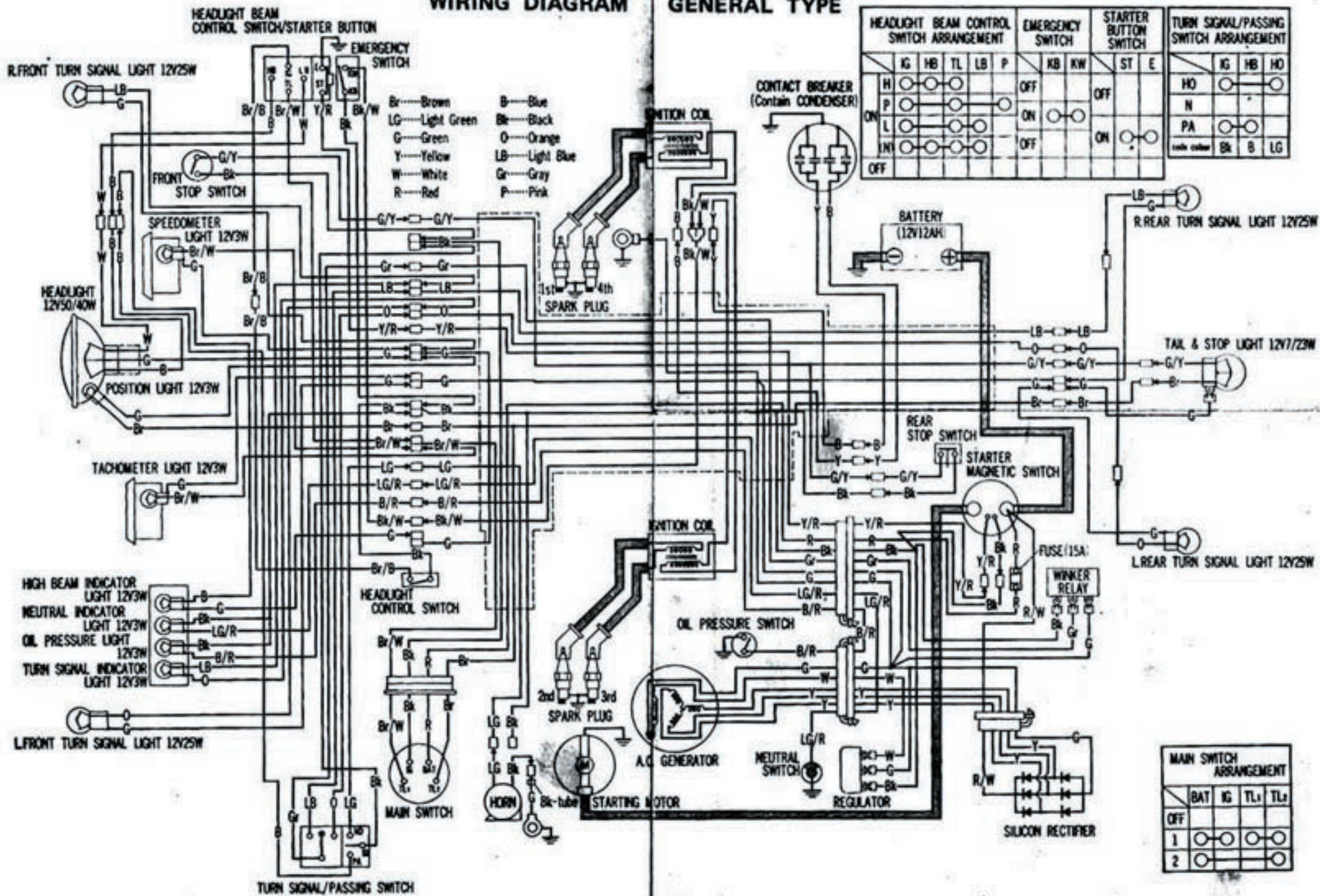


WIRING DIAGRAM ED TYPE



WIRING DIAGRAM

GENERAL TYPE



| HEADLIGHT BEAM CONTROL SWITCH ARRANGEMENT | | | | | EMERGENCY SWITCH | | STARTER BUTTON SWITCH | | TURN SIGNAL/PASSING SWITCH ARRANGEMENT | | | | |
|---|----|----|----|----|------------------|-----|-----------------------|-----|--|------------|----|----|----|
| | IG | HB | TL | LB | P | KB | RW | ST | E | IG | HB | HO | |
| ON | ○ | ○ | ○ | ○ | ○ | OFF | ○ | OFF | | HO | ○ | ○ | |
| P | ○ | ○ | ○ | ○ | ○ | ON | ○ | ON | | N | | | |
| L | ○ | ○ | ○ | ○ | ○ | OFF | | ON | ○ | PA | ○ | | |
| IN | ○ | ○ | ○ | ○ | ○ | | | | | each color | Bk | B | LG |
| OFF | | | | | | | | | | | | | |

| MAIN SWITCH ARRANGEMENT | | | |
|-------------------------|-----|----|---------------------------------|
| | BAT | IG | TL ₁ TL ₂ |
| OFF | | | |
| 1 | ○ | ○ | ○ |
| 2 | ○ | ○ | ○ |