



HONDA
CB550K K1

Courtesy of  Aerial Mail Fax
www.aerialmail.com www.aerialfax.com

PARTS LIST

© 1977 HONDA MOTOR CO., LTD.

HONDA

PARTS CATALOG

CB550K,K1,'76

550 Four

AMERICAN HONDA MOTOR CO., INC.

May 1994

Second Edition

© American Honda Motor Co., Inc. 1994

PRINTED IN USA

133740M

TABLE OF CONTENTS

	Grid	Page
How To Use This Catalog	A 2	iv
Serial Numbers	A 3	vi
Construction Of Vehicle Identification Number (V.I.N.) ..	A 3	vii
Color Tables	A 4	viii
Manuals	A 4	ix
Model ID Photos	A 5	x
Specifications	A 5	xi
Bulk Hose	A 7	xiv
Commonly Required Replacement Parts	A 8	xvi
Contents By Page No. Sequence	A 9	xviii
Contents In Alphabetical Order	A 9	1
Part Groups		
Engine Group	B 1	2
Frame Group	D 1	50
Index		
Part Number Index	H 1	140
Description Index	I 1	152

© American Honda Motor Co., Inc. 1994 iii

GRID

A1

HOW TO USE THIS CATALOG

This parts catalog is to be used when ordering replacement parts for the model (s) specified on the microfiche strip.

CATALOG PAGE BREAKDOWN

MODEL(S)	MODEL	MODEL	APPLICATION				A R E A C O D E	E N G I N E S E R I A L N U M B E R	Q T Y R E Q U I R E D	P A R T N U M B E R*	H O N D A C O D E
			1	1	1	1					
	9	9	9	9	9	9					
	8	8	8	8	8	8					
	4	5	6	7	4	5	6	7			
	4	5	6	7	4	5	6	7			

REF. NO.	BLOCK NO.	E-1	DESCRIPTION	MODEL APPLICATION	AREA CODE	ENGINE SERIAL NUMBER	FROM	TO	QTY REQ	PART NUMBER*	HONDA CODE
1	2	3a	3	4	5	6	7	8			

1. REF. NO. — Reference number corresponding with the reference numbers on the illustrations.

*All illustrations are representative only and do not necessarily correspond exactly to the actual part. "N" signifies the part is not illustrated.

2. DESCRIPTION — Describes the part for the related part number.

Abbreviations

ASSY	- Assembly	L (100L)	- Link (100 Links)
COMP	- Complete	A C	- Alternating Current
R	- Right	D C	- Direct Current
L	- Left	IN	- Inlet
STD	- Standard	EX	- Exhaust
MM	- Millimeter	FR	- Front
IN	- Inch	RR	- Rear
T (2T)	- Tooth	HEX	- Hexagonal
A	- Ampere	AM	- Amperian Mark
V	- Volt	T M	- Transistor Mark
Ω	- Ohm	C D F	- Capacitive Discharge
KPH	- Kilometer	W	- With Labeling
MPh	- Miles Per Hour	WOL	- Without Labeling

Decision for "R" or "L":
R or L in the description of a part stands for the right hand side of the left hand side which is decided by the forward direction of travel of the vehicle.

3. MODEL APPLICATION — Model application for the various models is ad within the catalog. Single model applications will not require this section.

3a. MODEL YEAR GUIDE — A guide to the part application (prior to 1976 the guide reference is the model designation i.e., K0, K1, etc... For 1976 and above the guide reference is the last digit of the model year i.e., 1976-6; 1977-7, 1983-3 etc...)

4. AREA CODE — Area codes for parts that are unique to a particular area. Area codes are defined in the Serial Number application column when applicable. This column will not be used in catalogs which do not include unique area codes.

5. SERIAL NUMBER — Applies to Engine or Frame serial numbers depending on the section.
The serial number of the vehicle (frame, engine, carburetor) should be checked prior to ordering parts for a specific unit in cases where a part has been modified. The serial number of the vehicle bearing the modification is listed in the "SERIAL NUMBER" column.
The modification parts are controlled by each component serial number below.

Engine serial number — Engine group parts (Block numbers beginning with "E")
Carburetor identification number — Carburetor component parts

Frame serial numbers — Frame group parts (Block numbers beginning with "F") Serial number application chart and Serial number locations are provided.

Note: Some models may be controlled by one serial number only.

HOW TO USE THIS CATALOG

6. QTY REQ — Quantity required per unit as specified.
A. "N" in place of the quantity indicates AS REQUIRED.
B. "1" or "1" by the quantity required indicates "optional".

7. PART NUMBER — Part number corresponding to the reference numbers and application. Several part numbers may be listed under one (1) reference number. For your convenience the current supersede chain, as of print date, has been listed for you. Supersede chains are subject to change without notice.

MAKE-UP OF PART NUMBERS

All parts are classified into two groups consisting of GENERAL PARTS and STANDARD PARTS. All parts are numbered in accordance with system described below:

General Parts

Example: Fork Comp Part No. 51105-GR1-700ZA
Function No. 51
Component No. 105
Parts Classification No. GR1-
Classification No. 700
*Color Code ZA

Standard Parts

Example: 8 x 8 Hex. Bolt Part No. 92000-08018-1A
Function No. 92
Type No. 000
Dimensions 08018-
ISO Standard Designation 1
Chemical Surface Treatment A

* The color code at the end of a General Parts part number indicate the color. However, color codes such as ZA, ZB, ZC onward except ZZ, do not indicate this color directly but refer to the notes ** in the Description Column of this Parts Catalog Microfiche. If the color description is not indicated in the text, refer to the color tape.

8. HONDA CODE — The Honda Code is listed to the right of each Part Number.

A. ADDITIONAL INFORMATION — The table of contents located at the right of each microfiche grid lists sectioned titles in alphabetical order. Some microfiche will require separate tables of contents for the Engine and Frame sections which will be noted in a sub-heading; the introduction section (Row "A") of these microfiche will have the contents of the Engine Section on even number grids and the contents of the Frame Section on odd number grids.

NOTE:

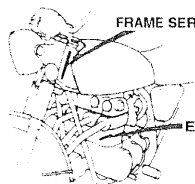
- The Block No. listed in the upper right hand corner of the Description heading refers to a complete illustration page and it's title, and should not be confused with the GRID NO. when using microfiche
- Rear view mirrors are standard equipment on all street legal models.

SERIAL NUMBERS

Models and applicable serial numbers

Models and applicable serial Nos. given in this parts catalog can be identified as follows
Parts with types are exclusive for models destined for countries designated
If no types are listed, parts are for common use

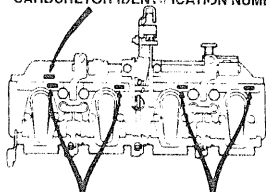
Model	Applicable Engine Serial No.	Applicable Frame Serial No.	Applicable Carburetor Identification No.
CB55J	CB550E-100001 ~	CB550K*100001 ~	022
CB550K76	CB550E-1067334 ~	CB550K*1230001 ~	087
CB550K1	CB550E-1029182 ~	CB550K*1200001 ~	022



FRAME SERIAL NUMBER

ENGINE SERIAL NUMBER

CARBURETOR IDENTIFICATION NUMBER



CARBURETOR IDENTIFICATION NUMBER

CONSTRUCTION OF VEHICLE IDENTIFICATION NUMBER (V.I.N.)

W.M.I. V.D.S. V.I.S.
(Example) J H 2 R C 0 4 0 • B M 2 0 0 0 1

W.M.I. ... World manufacturer identifier
V.D.S. ... Vehicle descriptor section
V.I.S. ... Vehicle indicator section

Sequential Production number

Plant representation

- A. ... OHIO factory in U.S.A.
- B. ... AALST factory in BELGIUM
- C. ... SAITAMA factory in JAPAN
- D. ... GUADALAJARA factory in MEXICO
- E. ... MONTESA factory in SPAIN
- F. ... ATESSA factory in ITALY
- K. ... KUMAMOTO factory in JAPAN
- M. ... HAMAMATSU factory in JAPAN
- R. ... MANAUS factory in BRAZIL
- S. ... SUZUKA factory in JAPAN
- T. ... TOCHIGI factory in JAPAN

Model year

(Example)

B. 1981 C. 1982 D. 1983 X. 1999

-Except I.O.Q.U.-

Check digit

This code is used to detect errors in the V.I.N. and consists of a single-digit number (0-9) or a letter "X". It has no direct bearing upon the V.D.S. and V.I.S.

Vehicle description code

(Example) RC040 . CB750F NC030 CB4001

Refer to SERIAL NUMBERS

Make and Type of vehicle

- JH2 ... HONDA, Motorcycle (Manufactured in JAPAN)
- 1H F HONDA, Motorcycle (Manufactured in U.S.A.)
- YC1 HONDA, Motorcycle (Manufactured in BELGIUM)
- 9CC HONDA, Motorcycle (Manufactured in BRAZIL)
- 3H1 HONDA, Motorcycle (Manufactured in MEXICO)
- VTM HONDA, Motorcycle (Manufactured in SPAIN)
- ZDC HONDA, Motorcycle (Manufactured in ITALY)
- JH3 HONDA, All terrain vehicle (Manufactured in JAPAN)
- 478 HONDA, All terrain vehicle (Manufactured in U.S.A.)

Any change or modification of parts is directly related to the V.D.S. and V.I.S.

A V.I.S. number will appear in the "Serial No." column of the Parts Catalog if a part is changed or modified

COMMENT:

This example is generic and applies to 1981 and newer vehicles. 1980 models and prior are referred to as "FRAME NUMBERS" and the construction is designed by using the model designation or code followed by a sequential number.

COLOR TABLES

Color chart

- (WL) = Stripes and labels other than caution labels are included in parts whose part name ends in (WL)
- (WOL) = Stripes and labels are not included in parts whose part name ends in (WOL).

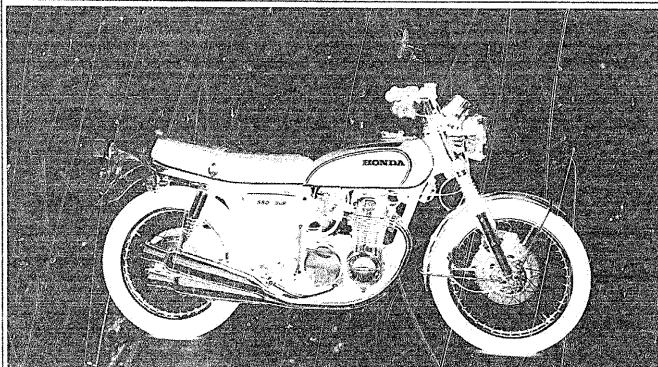
COLOR CODE TABLE (Color descriptions omitted from the main text of the catalog)

TYPE OF PARTS	COLOR CODE	COLOR DESCRIPTION
PAINTED PARTS	A	WHITE
	B	BLACK
	C	SCARLET
	E	ROYAL BLUE
	N	DARK BLUE
	Q	MARQUEM BLUE
	R	IVORY YELLOW
	S	DARK SILVER
	T	METALLIC SILVER
	Z	PRIMER
	ZZ	PRIMER
XW	CHROME	
VINYL PARTS	A	BLACK
	B	BLUE
	D	LIGHT BLUE
	E	SCARLET
	G	DARK ROSE
	N	ELEPHANT GRAY & IVORY
	V	WHITE IVORY

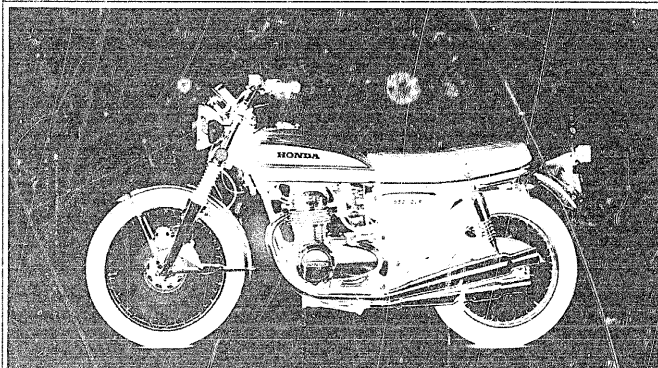
MANUALS

DESCRIPTION	PART NUMBER	H/C
CB550F76,77 CB550K76,77,78 MICROFICHE	133740M	
CB550F76,77 CB550K75,77,78 SERVICE MANUAL	E137407	6671396

MODEL ID PHOTO



C3550 550 FOUR

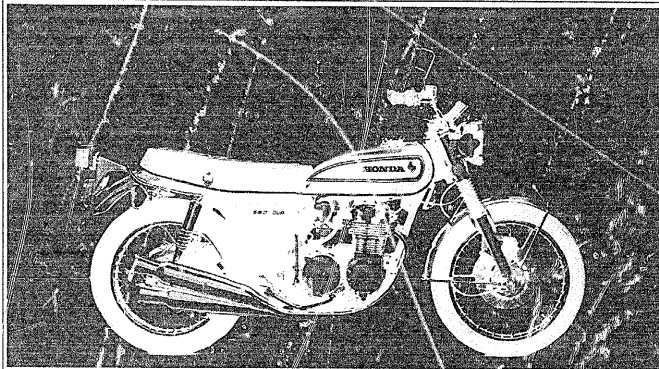


CB550K1 550 FOUR

SPECIFICATIONS

SECTION SUBJECT	CB550	CB550K1
ENGINE		
Cylinder	4 cylinder	4 cylinder
Strokes	4-Stroke	4-Stroke
Cooling	Air Cooled	Air Cooled
Camshaft	SOHC	SOHC
Valves per cylinder	2-Valve	2-Valve
Displacement	544cc	544cc
Lubrication system	Wet Sump	Wet Sump
Carburetor	Piston Valve 22mm	Piston Valve 22mm
Main jet	= 100	= 100
Slow jet	= 38	= 38
TRANSMISSION		
Transmission type	Manual	Manual
Transmission speeds	5 Speed	5 Speed
Clutch	Manual	Manual
Shift pattern	1-N-2-3-4-5	1-N-2-3-4-5
CHASSIS		
Fuel tank capacity (Std.)	3.7gal	3.7gal
Fuel tank capacity (Res.)	1.3gal	1.3gal
Air filter type	Paper	Paper
Countershaft sprocket	17T	17T
Rear wheel sprocket	37T	37T
Drive chain	520-96L Regular	520-96L Regular
Front Brake	Disc	Disc
Rear Brake	Internal expand shoe	Internal expand shoe
Front tire	3.25-19-4PR	3.25-19-4PR
Tire pressure	28PSI	28PSI
Rear tire	3.75-18-4PR	3.75-18-4PR
Tire pressure	34PSI	34PSI
SERVICE TUNING		
Valve clearance		
Intake	0.05mm (0.002")	0.05mm (0.002")
Exhaust	0.08mm (0.003")	0.06mm (0.0025")
Ignition type	Battery	Battery
Points gap	0.3-0.4mm (0.012-0.016")	0.3-0.4mm (0.012-0.016")
Spark plug gap	0.6-0.7mm (0.024-0.028")	0.6-0.7mm (0.024-0.028")
LUBRICATION		
Recommended fuel	86 - Octane	86 - Octane
Engine oil - Pro Honda		
GN4 10W-40	08C35-A14-M01	08C35-A14-M01
GN4 20W-50	08C35-A25-M01	08C35-A25-M01
Engine oil capacity		
After draining	3.2qt	3.2qt
Chain lubricant		
Pro Honda chain lube	08209-0002	08209-0002
Fork oil		
Pro Honda 10W 55 S	08208-0005	08208-0005
Pro Honda 10W 55 S	08208-0010	08208-0010

MODEL ID PHOTO



CB550K76 550 FOUR

SPECIFICATIONS

SECTION/SUBJECT	CB550K76
ENGINE	
Cylinder	4 cylinder
Strokes	4-Stroke
Cooling	Air Cooled
Carburettor	SOHC
Valves per cylinder	2-Valve
Displacement	544cc
Lubrication system	Wet Sump
Carburetor	Piston Valve 22mm
Main jet	± 100
Slow jet	± 38
TRANSMISSION	
Transmission type	Manual
Transmission speeds	5 Speed
Clutch	Manual
Shift pattern	*N-2-3-4-5
CHASSIS	
Fuel tank capacity (Std)	3.7gal
Fuel tank capacity (Res)	1.3gal
Air filter type	Paper
Countershaft sprocket	11T
Rear wheel sprocket	31T
Drive chain	5/16-96L Regular
Front Brake	Disc
Rear Brake	Internal expand shoe
Front tire	3.25 S-16-4PR
Tire pressure	25-28PSI
Rear tire	3.75 S-18-4PR
Tire pressure	28-36PSI
SEPTICE TUNING	
Valve clearance	
Intake	0.05mm (0.002")
Exhaust	0.08mm (0.003")
Ignition type	Battery
Points gap	0.3-0.4mm (0.012-0.016")
Spark plug gap	1.6-0.7mm (0.024-0.028")
LUBRICATION	
Recommended fuel	88 - Octane
Engine oil - Pro Honda	
GN4 10W40	08C35-414/M01
GN4 20W50	08C35-425/M01
Engine oil capacity	
After draining	3.2gal
Chain lubricant	
Pro Honda chain lube	09209-0007
Fork oil	
Pro Honda 15W SS-71	09148-0005
Pro Honda 10W SS-81	08208-0010

BULK HOSE

Bulk Hose Cross Reference Chart

To convert a cut hose part number to the equivalent of roll hose simply match the two part numbers using the following chart, cutting the required length indicated by the cut hose part number.

FUEL HOSE		VACUUM HOSE	
CURRENT CATALOG LISTING	BULK HOSE PART NUMBER	CURRENT CATALOG LISTING	BULK HOSE PART NUMBER
95001-35 --- -2 ---	95001-35003-20M	95005-35 --- -2 ---	95001-35003-20M
95001-35 --- -4 ---	95001-35003-40M	95005-35 --- -3 ---	
95001-45 --- -2 ---	95001-45006-20M	95005-35 --- -1 ---	
95001-45 --- -4 ---	95001-45006-40M	95005-45 --- -2 ---	95001-35003-20M
95001-55 --- -2 ---	95001-55008-20M	95005-45 --- -3 ---	
95001-55 --- -4 ---	95001-55008-40M	95005-50 --- -3 ---	95005-50003-30M
95001-75 --- -2 ---	95001-75008-20M	95005-55 --- -2 ---	
95001-75 --- -4 ---	95001-75008-40M	95005-70 --- -3 ---	
		95005-75 --- -1 ---	95005-70003-30M
		95005-75 --- -2 ---	
		95005-80 --- -1 ---	95005-80006-10M
		95005-80 --- -2 ---	
		95005-80 --- -3 ---	
		95005-12 --- -2 ---	95005-12003-10M

ORDERING INFORMATION

FUEL HOSE

PART NUMBER	H/C	INSIDE DIAMETER	ROLL LENGTH
95001-35003-20M	2380533	3.5 (mm)	3M (9.9ft)
95001-35003-40M	2380541	3.5 (mm)	3M (9.9ft)
95001-45003-20M	2380558	4.5 (mm)	3M (9.9ft)
95001-45006-30M	2324986	4.5 (mm)	8M (26.4ft)
95001-55006-20M	2386134	5.3 (mm)	8M (26.4ft)
95001-55008-30M	2385896	5.3 (mm)	8M (26.4ft)
95001-75006-20M	2385094	7.5 (mm)	3M (9.9ft)
95001-75003-30M	2385904	7.5 (mm)	3M (9.9ft)

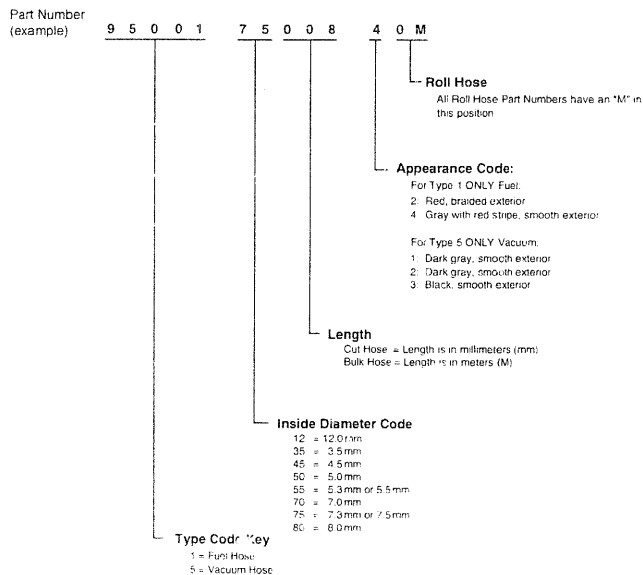
VACUUM HOSE

PART NUMBER	H/C	INSIDE DIAMETER	ROLL LENGTH
95001-35003-10M	2325058	3.5 (mm)	3M (26.4ft)
95001-35003-10M	2325082	4.5 (mm)	3M (26.4ft)
95001-45003-30M	2383608	5.0 (mm)	3M (9.9ft)
95001-45006-10M	2386886	5.5 (mm)	8M (26.4ft)
95001-55006-20M	2380624	6.5 (mm)	8M (9.9ft)
95001-55006-10M	2380640	7.3 (mm)	8M (9.9ft)
95001-75006-10M	2325108	8.0 (mm)	3M (26.4ft)
95001-75003-10M	2380557	12.0 (mm)	3M (9.9ft)
95005-12003-20M	2380565	14.0 (mm)	3M (9.9ft)

CAUTION: Damage to vacuum hose will result from contact with fuel. Do not use vacuum hose in place of fuel hose.

BULK HOSE

Construction of Fuel and Vacuum Hose Part Number



CAUTION: Damage to vacuum hose will result from contact with fuel. Do not use vacuum hose in place of fuel hose.

COMMONLY REQUIRED REPLACEMENT PARTS

		CB550			QTY	REQ	PART NUMBER	HONDA CODE		
Ref No	DESCRIPTION	K	K1	76					SERIAL NUMBER	
									FROM	TO
	BATTERY ASSY.	K	K1	6	---	---	1 98703-22250	0430462		
	BATTERY ASSY. (12V12A)	K	K1	---	---	---	1 31500-310-671	0113142		
	BULB, TAILLIGHT	K	K1	6	---	---	1 34906-M69-771	1700301		
	BULB, TAILLIGHT (12V27/7W 2057HD) (12V27/7W 2057HD)	K	---	---	---	---	1 34906-M69-771	1700301		
	BULB, TAILLIGHT (12V 27/8W)	---	K1	6	---	---	1 34906-341-671	0273540		
	BULB, TAILLIGHT (12V 27/8W)	K	---	---	---	---	1 34906-341-671	0273540		
	BULB, TURN SIGNAL (12V 23W)	---	K1	---	---	---	2 34905-268-671	0145318		
	BULB, TURN SIGNAL (12V 23W)	---	K1	6	---	---	2 34905-268-671	0145318		
	CABLE, SPEEDOMETER INNER	K	K1	6	---	---	1 44831-323-000	0312827		
	CABLE, TACHOMETER INNER	K	K1	---	---	---	1 37261-300-000	0312785		
		---	---	6	1236357	---	1 37261-300-000	0312785		
	CHAIN, DRIVE (100L) (DAIDD)	K	K1	6	---	---	1 40530-341-305	0320242		
	DISK, CLUTCH FRICTION	K	K1	---	---	---	7 22201-286-010	0180299		
		---	---	6	---	---	6 22201-286-010	0180299		
	FUSE A (15A)	K	K1	6	---	---	2 98200-11500	0216283		
	FUSE A (5A)	X	K1	6	---	---	2 98200-10500	0330910		
	FUSE A (7A)	K	K1	6	---	---	2 98200-10700	0250662		
	FUSE, GROMMET	K	K1	6	---	---	1 32118-341-702	0314666		
	GASKET SET	K	K1	6	---	---	4 16010-323-305	4344495		
	GASKET SET	K	K1	6	---	---	4 16010-323-004	0309492		
	GASKET, EX. PIPE	---	6	1247248	---	---	4 18291-390-306	4503046		
	GASKET, EX. PIPE	---	6	1247248	---	---	4 18291-390-000	0402420		
	GASKET, EX. PIPE	K	K1	---	---	---	4 18291-216-000	0028241		
	GASKET, EX. PIPE	---	K1	---	---	---	4 18291-MN5-650	2246535		
		---	---	6	1247247	---	4 18291-216-000	0028241		
		---	---	6	1247247	---	4 18291-MN5-650	3246535		
	GRIP, L. HANDLEBAR	K	K1	6	---	---	1 53166-342-670	0268409		
	GRIP, R. HANDLEBAR	K	K1	6	---	---	1 53165-342-670	0268391		
	HANDLEBAR	K	K1	6	---	---	1 53100-374-000	0362749		
	LENS, TAILLIGHT	K	---	---	---	---	1 33702-341-671	0268680		
	LENS, TAILLIGHT	---	K1	6	---	---	1 33702-341-671	0268680		
	MIRROR, L.	K	K1	6	---	---	1 88120-333-611	0483750		

COMMONLY REQUIRED REPLACEMENT PARTS

		CB550			QTY	REQ	PART NUMBER	HONDA CODE		
Ref No	DESCRIPTION	K	K1	76					SERIAL NUMBER	
									FROM	TO
	MIRROR, L.	K	K1	6	---	---	1 88120-333-610	0418814		
	MIRROR, L.	K	K1	---	---	---	1 88120-333-004	0297325		
	MIRROR, R.	---	---	6	---	---	1 88100-371-980	0456558		
	MIRROR, R.	---	---	6	---	---	1 88100-333-610	0418805		
	MIRROR, R.	K	K1	6	---	---	1 88110-333-611	0469429		
	MIRROR, R.	K	K1	6	---	---	1 88100-333-004	0297317		
	PLUG, SPARK (D-7ES NGK)	K	K1	6	---	---	4 98069-57711	0263145		
	PLUG, SPARK (D7EA NGK)	K	K1	6	---	---	4 98069-57717	0633248		
	PLUG, SPARK (X22FS ND)	K	K1	---	---	---	4 98069-57723	0253906		
	POINTS (184 HITACHI)	K	K1	6	---	---	1 30203-300-005	0189423		
	POINTS (184 TOYO)	K	K1	6	---	---	1 30203-300-154	0366153		
	POINTS (283 HITACHI)	K	K1	6	---	---	1 30204-300-005	0189421		
	POINTS (283 TOYO)	K	K1	6	---	---	1 30204-300-154	0366104		
	POINTS ASSY. (HITACHI)	K	K1	6	---	---	1 30200-323-005	0254870		
	POINTS ASSY. (TOYO)	K	K1	6	---	---	1 30200-323-154	0378604		
	RUBBER, KICK STARTER	---	K1	---	1022429	---	1 28311-329-000	0293159		
		---	---	6	---	---	1 28311-329-000	0293159		
	SPURR, SHIFT PEDAL	K	K1	6	---	---	1 95011-40000	0255695		
	SPROCKET, DRIVE (17T)	K	K1	6	---	---	1 23801-300-010	0256552		
	TIRE, FR. (3.25-19) (BS)	K	K1	---	---	---	1 44711-300-013	0286906		
	TIRE, FR. (3.25H19)	K	K1	6	---	---	1 44711-341-003	0418103		
	TIRE, FR. (3.25S-19) (BS)	K	K1	0	---	---	1 44711-375-671	0419590		
	TIRE, RR. (3.75S-18) (BS)	K	K1	6	---	---	1 42711-375-671	0415943		
	TIRE, RR. WHEEL	K	K1	---	---	---	1 42711-374-003	03635P2		

© American Honda Motor Co., Inc. 1994

CB550 ENGINE NO.; CB550E-1000001 TO SUBSEQUENT
 CB550 FRAME NO.; CB550K-1000001 TO SUBSEQUENT
 CB550K1 ENGINE NO.; CB550E-1029182 TO SUBSEQUENT
 CB550K1 FRAME NO.; CB550K-1200001 TO SUBSEQUENT

CB550K176 ENGINE NO.; CB550E-1067334 TO SUBSEQUENT
 CB550K176 FRAME NO.; CB550K-1230001 TO SUBSEQUENT

© American Honda Motor Co., Inc. 1994

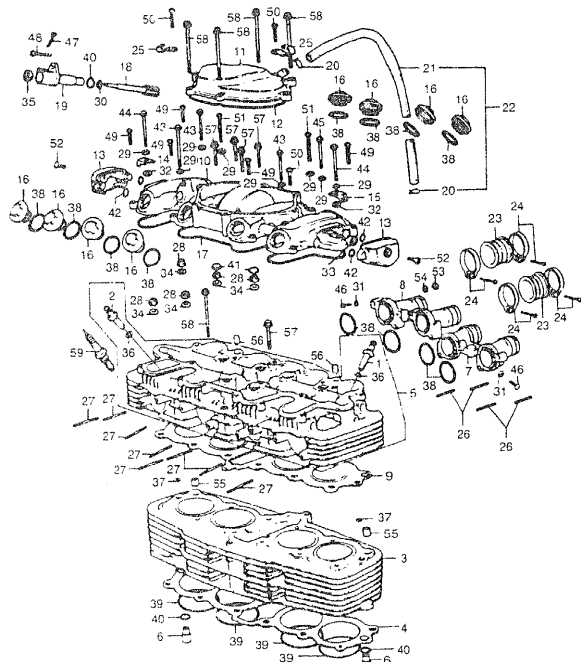
CONTENTS BY PAGE NO. SEQUENCE

PAGE TITLE	PAGE	GRID	PAGE TITLE	PAGE	GRID
CYLINDER • HEAD	2	B1			
CAMSHAFT • CRANKSHAFT	10	B5			
CLUTCH • CRANKCASE COVER	16	B8			
ALTERNATOR • OIL PUMP	24	B12			
TRANSMISSION • KICK STARTER SPINDLE	30	C3			
CRANKCASE • OIL FILTER	40	C8			
CARBURETOR	44	C10			
BOLT • WASHER (CRANKCASE)	48	C12			
HANDLEBAR • CABLE	50	D1			
HEADLIGHT • SPEEDOMETER • TACHOMETER	56	D4			
STEERING STEM • FRONT FENDER	62	D7			
FRONT WHEEL • REAR WHEEL	70	D11			
FUEL TANK • AIR CLEANER	78	E3			
EXHAUST MUFFLER • STEP	90	E9			
SWINGARM • REAR SHOCK ABSORBER	98	F1			
TAILLIGHT • TURN SIGNAL K	106	F5			
TAILLIGHT • TURN SIGNAL K1-76	112	F8			
FRAME • WIRE HARNESS	118	F11			
FRONT BRAKE MASTER • CYLINDER	132	G6			

CONTENTS IN ALPHABETICAL ORDER

PAGE TITLE	PAGE	GRID	PAGE TITLE	PAGE	GRID
AIR CLEANER	78	E3			
ALTERNATOR	24	B12			
BOLT	48	C12			
BRAKE MASTER, FR	132	G6			
CABLE	50	D1			
CAMSHAFT	10	B5			
CARBURETOR	44	C10			
CLUTCH	16	B8			
CRANKCASE	40	C8			
CRANKCASE COVER	16	B8			
CRANKSHAFT	10	B5			
CYLINDER	2	B1			
CYLINDER	132	G6			
EXHAUST MUFFLER	90	E9			
FENDER, FR	62	D7			
FRAME	118	F11			
FUEL TANK	78	E3			
HANDLEBAR	50	D1			
HEAD	2	B1			
HEADLIGHT	56	D4			
KICK STARTER SPINDLE	30	C3			
OIL FILTER	40	C8			
OIL PUMP	24	B12			
SHOCK ABSORBER, RR	98	F1			
SPEEDOMETER	56	D4			
STEERING STEM	62	D7			
STEP	90	E9			
SWINGARM	98	F1			
TACHOMETER	56	D4			
TAILLIGHT K	106	F5			
TAILLIGHT K1-76	112	F8			
TRANSMISSION	30	C3			
TURN SIGNAL K	106	F5			
TURN SIGNAL K1-76	112	F8			
WASHER (CRANKCASE)	48	C12			
WHEEL, FR	70	D11			
WHEEL, RR	70	D11			
WIRE HARNESS	118	F11			

CYLINDER • HEAD



E13374001

K = CB550
 K1 = CB550K1
 6 = CB550K176

Ref. No.	BLOCK NO. DESCRIPTION	E-1	K			SERIAL NUMBER FROM TO	PART NUMBER	HONDA CODE
			K	K1	6			
1	GUIDE, IN. VALVE		K	K1	6	-----	4 12021-323-300	0266270
	GUIDE, IN. VALVE		K	K1	6	-----	4 12023-465-405	4101903
2	GUIDE, EX. VALVE		K	K1	6	-----	4 12023-323-300	0317651
	GUIDE, EX. VALVE		K	K1	6	-----	4 12023-324-405	4183315
3	CYLINDER COMP.		K	K1	6	-----	1 12100-374-000	0361980
	CYLINDER COMP.		K	K1	6	-----	1 12100-374-010	0687236
4	GASKET, CYLINDER		K	K1	6	-----	1 12191-374-000	0361998
	GASKET, CYLINDER		K	K1	6	-----	1 12191-426-000	0740043
	GASKET, CYLINDER		K	K1	6	-----	1 12191-426-306	4428280
5	HEAD COMP., CYLINDER		K	K1	6	-----	1 12200-374-000	0362004
6	VALVE, OIL CONTROL		K	K1	6	-----	2 12238-323-000	0256974
7	MANIFOLD A, IN.		K	K1	6	-----	1 12241-323-000	0256982
8	MANIFOLD B, IN.		K	K1	6	-----	1 12242-323-000	0256990
9	GASKET, CYLINDER HEAD		K	K1	6	-----	1 12251-323-005	0472639
	GASKET, CYLINDER HEAD		---	6	---	1079767	1 12251-323-005	0472639
	GASKET, CYLINDER HEAD		K	K1	6	-----	1 12251-374-000	0362012
	GASKET, CYLINDER HEAD		---	6	---	1079767	1 12251-374-000	0362012
	GASKET, CYLINDER HEAD		K	K1	6	-----	1 12251-374-005	0468504
	GASKET, CYLINDER HEAD		---	6	---	1079767	1 12251-374-005	0468504
	GASKET, CYLINDER HEAD		K	K1	6	-----	1 12251-374-306	4414926
	GASKET, CYLINDER HEAD		---	6	---	1079767	1 12251-374-306	4414926
10	COVER, CYLINDER HEAD		K	K1	6	-----	1 12310-323-000	0257014
	COVER, CYLINDER HEAD		---	6	---	1083640	1 12310-323-000	0257014
	COVER, CYLINDER HEAD		K	K1	6	-----	1 12310-323-010	0458661
	COVER, CYLINDER HEAD		---	6	---	1083640	1 12310-323-010	0458661
11	COVER COMP., BREATHER		K	K1	6	-----	1 12320-374-000	0367649
12	GASKET, BREATHER COVER		K	K1	6	-----	1 12329-323-000	0257030
13	COVER, CYLINDER HEAD SIDE		K	K1	6	-----	2 12330-323-000	0257048
14	PLATE A, CYLINDER HEAD SIDE COVER SETTING		K	K1	6	-----	1 12335-323-000	0257055
15	PLATE B, CYLINDER HEAD SIDE COVER SETTING		K	K1	6	-----	1 12336-323-000	0256339
16	CAP, VALVE ADJ.		K	K1	6	-----	8 12361-300-000	0188870
17	GASKET, CYLINDER HEAD COVER		K	K1	6	-----	1 12391-323-000	0256347
18	GEAR, TACHOMETER		K	K1	6	-----	1 12431-323-000	0256354

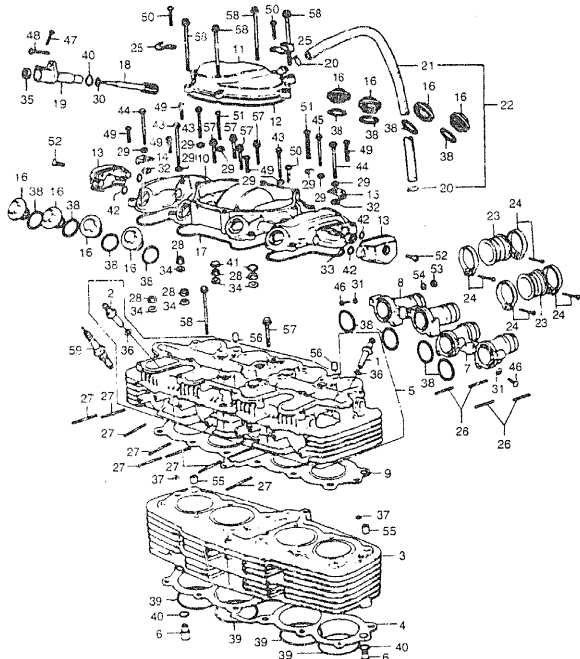
CONTENTS

TITLE	PAGE	GRID
AIR CLEANER	76	E3
ALTERNATOR	24	B12
BOLT	48	C12
BRAKE MASTER FR.	132	O6
CABLE	50	D1
CARBURETTOR	44	C10
CRANKSHAFT	10	B5
CRANKCASE	16	B9
CRANKCASE COVER	40	CB
CRANKSHAFT	10	B5
CYLINDER	2	B1
CYLINDER	132	G6
EXHAUST MUFFLER	90	E9
FRAME	118	F11
FUEL TANK	78	C3
HANDLEBAR	50	D1
HEAD	2	B1
HEADLIGHT	56	D
KICK STARTER SPINDLE	30	C3
KICK STARTER SPINDLE	40	C6
OIL FILTER	24	B12
OIL PUMP	98	F1
SHOCK ABSORBER FR.	98	F1
SPEEDOMETER	56	D4
STEERING STEM	62	D7
STEP	90	E9
SWINGARM	98	F1
TACHOMETER	56	D4
TAILLIGHT K	106	F6
TAILLIGHT K1-76	112	F8
TRANSMISSION	30	C3
TURN SIGNAL K	108	F5
TURN SIGNAL K1-76	112	F8
WASHER (CRANKCASE)	48	C12
WHEEL FR.	70	D11
WHEEL RR	70	D11
WIRE HARNESS	118	F11

CB550 ENGINE NO.; CB550E-1000001 TO SUBSEQUENT
 CB550 FRAME NO.; CB550K-1000001 TO SUBSEQUENT
 CB550K1 ENGINE NO.; CB550E-1029182 TO SUBSEQUENT
 CB550K1 FRAME NO.; CB550K-1200001 TO SUBSEQUENT

CB550K176 ENGINE NO.; CB550E-1067334 TO SUBSEQUENT
 CB550K176 FRAME NO.; CB550K-1230001 TO SUBSEQUENT

CYLINDER • HEAD



E13874001

K = CB550
 K1 = CB550K1
 6 = CB550K76

Ref. No.	BLOCK NO. DESCRIPTION	E-1	C B 5 5 0 K	Q T Y	ENGINE SERIAL NUMBER		PART NUMBER	HONDA CODE
					FROM	TO		
19	CAP, TACHOMETER	K	K1	6	-----	1	12451-323-000	0256362
20	CLIP, OIL DRAIN	K	---	---	1018184	2	15707-634-000	0366120
	CLIP, BREATHER TUBE	K	---	---	1018185	2	15772-551-000	0501353
	CLIP, BREATHER TUBE	K	K1	6	-----	2	15772-551-000	0501353
21	TUBE, BREATHER	K	---	---	1018184	1	15763-374-000	0362079
	TUBE SET, BREATHER	K	---	---	1018184	1	15763-374-305	0379792
	TUBE, 12X4-20 (BULK HOSE: 95005-12003-10M)	K	---	---	1018185	1	95005-12420-20	0379784
		K	K1	6	-----	1	95005-12420-20	0379784
22	TUBE SET, BREATHER	K	---	---	1018184	1	15763-374-305	0379792
23	INSULATOR, CARBURETOR	K	K1	6	-----	4	16211-323-000	0254664
24	BAND B, AIR CLEANER CONNECTING TUBE	K	K1	6	-----	8	17256-323-000	0256644
	BAND CLEANER	K	K1	6	-----	8	90652-6HB-650	4511523
25	CLIP, COIL WIFE	K	K1	6	-----	2	32906-028-000	0087379
26	BOLT, STUD, 6X32	K	K1	6	-----	8	90043-323-300	0256958
27	BOLT, STUD, 6X40	K	K1	6	-----	8	90044-323-300	0256966
28	NUT, FLANGE, 8MM	K	K1	6	-----	12	90236-300-000	0189183
	NUT, FLANGE, 8MM	K	K1	6	-----	12	94050-08000	0481143
	NUT, FLANGE, 8MM	K	K1	6	-----	12	94050-08000-0S	0678011
29	WASHER, THRUST, 17MM	K	K1	6	-----	8	90425-300-000	0189795
30	WASHER, THRUST, 7MM	K	K1	6	-----	1	90451-292-000	0180554
31	WASHER, THRUST, 5MM	K	K1	6	-----	4	90452-323-000	0255224
32	WASHER, 6X17	---	---	---	1083641	4	90474-704-000	0181324
33	WASHER, THRUST, 6.5MM	K	K1	6	-----	2	90485-001-000	0004804
34	WASHER, THRUST, 14MM	K	K1	6	-----	12	90485-035-000	0070979
35	OIL SEAL, 4.8X14.5X4	K	K1	6	-----	1	91211-286-003	0172783
	OIL SEAL, 4.8X14.5X4	K	K1	6	-----	1	91256-076-651	2073096
36	O-RING, 10X1.6	K	K1	6	-----	8	91301-200-000	0022673
37	O-RING, 5X2.4	K	K1	6	-----	2	91301-323-000	0253609
	O-RING, 5X2.4	K	K1	6	-----	2	91301-426-000	1202860
	O-RING, 4.9X2.5	K	K1	6	-----	2	91301-426-010	1113349

CONTENTS

TITLE	PAGE	GRID
AIR CLEANER	78	E3
ALTERNATOR	24	B12
BOLT	48	C12
BRAKE MASTER FR	132	G6
CABLE	50	D1
CAMSHAFT	10	B5
CARBURETOR	44	C10
CLUTCH	16	B8
CRANKCASE	40	CE
CRANKCASE COVER	16	BB
CRANKSHAFT	10	B5
CYLINDER	2	B1
CYLINDER	132	G6
EXHAUST MUFFLER	90	E9
FENDER FR	52	D7
FRAME	118	F11
FUEL TANK	78	E3
HANDLEBAR	50	D1
HEAD	2	B1
HEADLIGHT	66	D4
KICK STARTER SPINDLE	30	C3
OIL FILTER	40	CB
OIL PUMP	24	B12
SHOCK ABSORBER RR	98	F1
SPEEDOMETER	56	D4
STEERING STEM	62	D7
STEP	90	E9
SWINGARM	98	F1
TACHOMETER	56	D4
TAILLIGHT K	106	F5
TAILLIGHT K1-76	112	F8
TRANSMISSION	30	C3
TURN SIGNAL K	106	F5
TURN SIGNAL K1-76	112	F8
WASHER (CRANKCASE)	48	C12
WHEEL FR	70	D11
WHEEL RR	70	D11
WIRE HARNESS	118	F11

GRID

B2

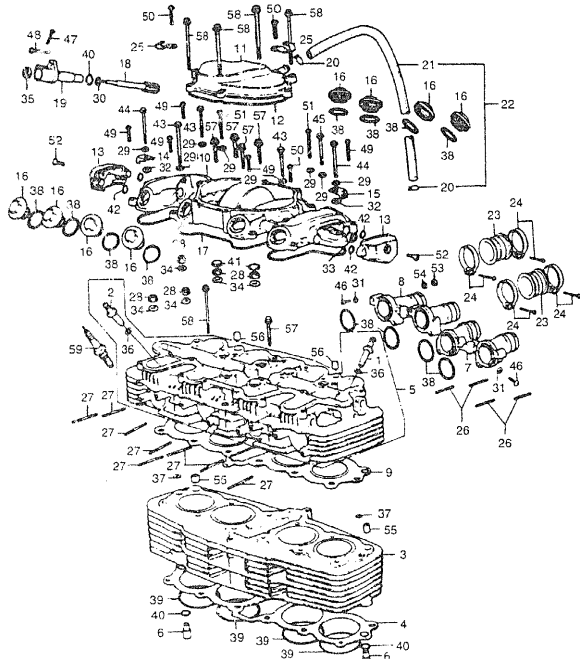
© AMERICAN HONDA MOTOR CO., LTD. 1994

© AMERICAN HONDA MOTOR CO., LTD. 1994

CB550 ENGINE NO.; CB550E-1000001 TO SUBSEQUENT
 CB550 FRAME NO.; CB550K-1000001 TO SUBSEQUENT
 CB550K1 ENGINE NO.; CB550E-1029183 TO SUBSEQUENT
 CB550K1 FRAME NO.; CB550E-1200001 TO SUBSEQUENT

CB550K76 ENGINE NO.; CB550E-1067334 TO SUBSEQUENT
 CB550K76 FRAME NO.; CB550K-1230001 TO SUBSEQUENT

CYLINDER • HEAD



E13374001

K = CB550
K1 = CB550K1
6 = CB550K76

Ref. No.	BLOCK NO. DESCRIPTION	E-1	CB550			ENGINE SERIAL NUMBER FROM TO	QTY	PART NUMBER	HONDA CODE
			K	K1	6				
38	O-RING, 30.8MM	---	K	K1	6	---	12	91302-001-020	0001065
39	O-RING, 61.8X2.0	---	K	K1	6	---	4	91304-286-000	0192633
40	O-RING, 11X2.5	---	K	K1	6	---	3	91309-035-000	0326371
	O-RING, 11X2.5	---	K	K1	6	---	3	91310-426-000	1113430
	O-RING, 11X2.5	---	K	K1	6	---	3	91314-M46-005	2023927
41	RUBBER, SEALING	---	K	K1	6	---	6	91318-300-013	0189209
42	O-RING, 6X3	---	K	K1	6	---	4	91319-323-000	0253617
43	BOLT, HEX., 6X40	---	K	K1	---	---	3	92000-06040	0054411
		---	---	---	6	1074572	3	92000-06040	0054411
		---	---	---	6	1074573	5	92000-06040	0054411
	BOLT, HEX., 6X40	---	K	K1	---	---	3	92000-06040-0A	0397505
		---	---	---	6	1074572	3	92000-06040-0A	0397505
		---	---	---	6	1074573	5	92000-06040-0A	0397505
	BOLT, HEX., 6X40	---	K	K1	---	---	3	92110-06040-0A	3856655
		---	---	---	6	1074572	3	92110-06040-0A	3856655
		---	---	---	6	1074573	5	92110-06040-0A	3856655
44	BOLT, HEX., 6X4.5	---	K	K1	6	---	2	92000-06045	0054445
	BOLT, HEX., 6X4.5	---	K	K1	6	---	2	92000-06045-0A	1001247
	BOLT, HEX., 6X4.5	---	K	K1	6	---	2	92101-06045-0A	4264149
45	BOLT, HEX., 6X50	---	K	K1	6	---	1	92000-06050	0054478
46	SCREW, PAN, 5X6	---	K	K1	6	---	4	93500-05006-0A	0209841
47	SCREW, PAN, 5X20	---	K	K1	6	---	1	93500-05020-0A	0197731
48	SCREW, PAN, 6X16	---	K	K1	6	---	1	93500-06016	0057455
49	SCREW, PAN, 6X20	---	K	K1	6	---	4	93500-06020	0057497
50	SCREW, PAN, 6X25	---	K	K1	6	---	4	93500-06025	0057539
51	SCREW, PAN, 6X40	---	K	K1	---	---	2	93500-06040	0057612
		---	---	---	6	1074572	2	93500-06040	0057612
	SCREW, PAN, 6X40	---	K	K1	---	---	2	93500-06040-0A	1509181
		---	---	---	6	1074572	2	93500-06040-0A	1509181
52	SCREW, DVAL, 6X10	---	K	K1	---	---	2	93700-06010-02	0056440
53	NUT, HEX., 6MM	---	K	K1	---	---	8	90310-KA3-711	1553916
		---	---	---	6	1083641	8	90310-KA3-711	1553916
		---	---	---	6	1083641	12	90310-KA3-711	1553916
	NUT, HEX., 6MM	---	K	K1	---	---	8	94000-06000-0S	1391283
		---	---	---	6	1083640	8	94000-06000-0S	1391283
		---	---	---	6	1083641	12	94000-06000-0S	1391283

AMERICAN HONDA MOTOR CO. LTD. 1984

CONTENTS

TITLE	PAGE	GRID
AIR CLEANER	78	E3
ALTERNATOR	27	B12
BOLT	48	C12
BRAKE MASTER FR	132	G6
CABLE	56	D1
CRANKSHAFT	10	B5
CARBURETOR	44	C10
CLUTCH	16	B8
CRANKCASE	40	C8
CRANKCASE COVER	15	B8
CRANKSHAFT	10	B5
CYLINDER	2	B1
CYLINDER	132	G6
EXHAUST MUFFLER	90	E9
FENDER FR	62	D7
FRAME	118	F11
FUEL TANK	78	E3
HANDLEBAR	50	D1
HEAD	2	B1
HEADLIGHT	56	D4
KICK STARTER SPRINDLE	30	C3
OIL FILTER	40	C8
OIL PUMP	24	B12
SHOCK ABSORBER FR	98	F1
SPEEDOMETER	56	D4
STEERING STEM	62	D7
STEP	90	E9
SWINGARM	98	F1
TACHOMETER	56	D4
TAILLIGHT K	106	F5
TAILLIGHT K1-76	112	F8
TRANSMISSION	30	C3
TUJIN SIGNAL K	106	F5
TUJIN SIGNAL K1-76	112	F8
WASHER (CRANKCASE)	48	C12
WHEEL FR	70	D11
WHEEL RR	70	D11
WIRE HARNESS	115	F11

GRID

B3

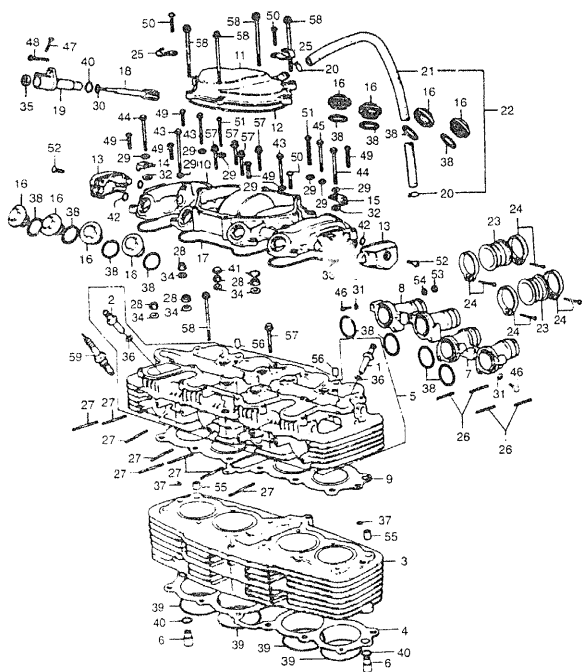
AMERICAN HONDA MOTOR CO. LTD. 1984

B3

CB550 ENGINE NO.; CB550E-1000001 TO SUBSEQUENT
CB550 FRAME NO.; CB550K-1000001 TO SUBSEQUENT
CB550K1 ENGINE NO.; CB550E-1029182 TO SUBSEQUENT
CB550K1 FRAME NO.; CB550K-1200001 TO SUBSEQUENT

CB550K76 ENGINE NO.; CB550E-1067334 TO SUBSEQUENT
CB550K76 FRAME NO.; CB550K-1230001 TO SUBSEQUENT

CYLINDER • HEAD



E13374001

Ref. No.	BLOCK NO. DESCRIPTION	E-1	K		ENGINE SERIAL NUMBER FROM TO	QTY	PART NUMBER	HONDA CODE
			K1	6				
			K	6				
			K	1	6			
			K	1	6			
53	NUT, HEX., 6MM		K	K1			94001-06000	0058016
			--	6	1083641	8	94001-06000	0958016
			--	6	1083641	12	94001-06000	0058016
			K	K1			94001-06000-0S	0156067
			--	6	1083641	8	94001-06000-0S	0156067
			--	6	1083641	12	94001-06000-0S	0156067
			K	K1			94001-06008-0S	2829414
			--	6	1083641	8	94001-06008-0S	2829414
			--	6	1083641	12	94001-06008-0S	2829414
			K	K1			94001-06200-0S	2043255
			--	6	1083641	8	94001-06200-0S	2043255
			--	6	1083641	12	94001-06200-0S	2043255
			K	K1			94030-06000	1642693
			--	6	1083641	8	94030-06000	1642693
			--	6	1083641	12	94030-06000	1642693
54	WASHER, PLAIN, 6MM		K	K1	6	8	94101-06000	0059071
			K	K1	6	8	94101-06080	3136074
			K	K1	6	8	94101-06800	0345900
55	PIN, DOWEL, 12X18		K	K1	6	2	94301-12180	0253773
56	PIN B, DOWEL, 10X16		K	K1	6	2	94302-10160	0253781
57	BOLT, FLANGE, 6X32		K	K1	6	5	95700-06032-00	0484477
			K	K1	6	5	95701-06032-00	2105856
58	BOLT, FLANGE, 6X65		K	K1	6	5	95700-06065-00	0476580
			K	K1	6	5	95701-06065-00	2352545
59	PLUG, SPARK (D-7ES NGK)		K	K1	6	4	98069-57711	0265145
			K	K1	6	4	98069-57717	0633248
			K	K1	6	4	98069-57723	0253906

CONTENTS

TITLE	PAGE	GRID
AIR CLEANER	78	E3
ALTERATOR	24	B12
BOLT	48	C12
BRAKE MASTER FR	132	GG
CABLE	50	D1
CAMSHAFT	10	B5
CARBURETOR	44	C10
CLUTCH	16	B8
CRANKCASE	40	C8
CRANKCASE COVER	11	B8
CRANKSHAFT	10	B5
CYLINDER	2	B1
CYLINDER	132	G6
EXHAUST MUFFLER	90	E1
FENDER FR	62	D7
FRAME	118	F11
FUEL TANK	78	E3
HANDLEBAR	59	D1
HEAD	2	B1
HEADLIGHT	56	D4
KICK STARTER SPINDLE	30	C3
OIL FILTER	46	C8
OIL PUMP	24	B12
SHOCK ABSORBER, FR	98	F1
SPEEDOMETER	56	D4
STEERING STEM	62	D7
STEP	90	E1
SWINGARM	98	F1
TACHOMETER	56	D4
TAILLIGHT R	106	F5
TAILLIGHT K1-76	112	F8
TRANSMISSION	30	C3
TURN SIGNAL K	106	F5
TURN SIGNAL K1-76	112	F8
WASHER (CRANKCASE)	48	C12
WHEEL FR	76	D1
WHEEL RR	70	D1
WIRE HARNESS	118	F11

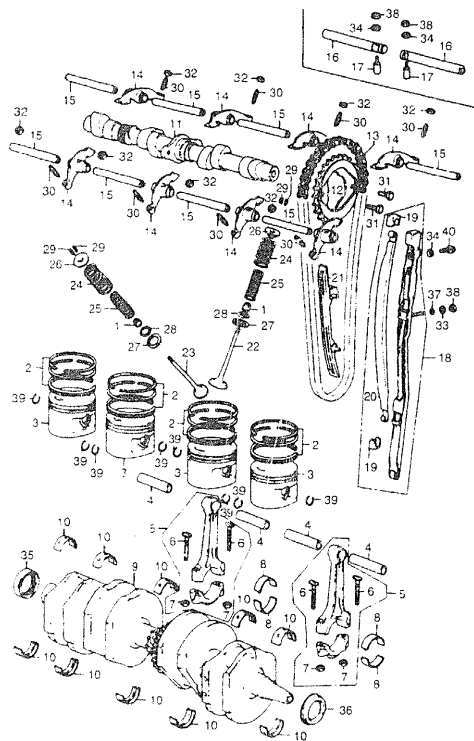
AMERICAN HONDA MOTOR CO., LTD. 1994

CB550 ENGINE NO.; CB550E-1000001 TO SUBSEQUENT
 CB550 FRAME NO.; CB550K-1000001 TO SUBSEQUENT
 CB550K1 ENGINE NO.; CB550E-1029182 TO SUBSEQUENT
 CB550K1 FRAME NO.; CB550K-1200001 TO SUBSEQUENT

CB550K175 ENGINE NO.; CB550E-1067334 TO SUBSEQUENT
 CB550K176 FRAME NO.; CB550K-1230001 TO SUBSEQUENT

AMERICAN HONDA MOTOR CO., LTD. 1994

CAMSHAFT • CRANKSHAFT



E133*4002

K = CB550
K1 = CB550K1
6 = CB550K 76

Ref. No.	BLOCK NO. DESCRIPTION	E-2	K			E'GINE SERIAL NUMBER FROM TO	QTY	PART NUMBER	HONDA CODE
			K	K1	6				
1	SEAL, VALVE STEM (NIPPON)		K	K1	6	-----	8	12209-333-005	0281675
2	RING SET, PISTON (STD) (RIKEN)		K	K1	6	-----	4	13011-374-000	0396945
	RING SET, PISTON (STD) (RIKEN) ...		K	K1	6	-----	4	13011-374-004	0362020
	RING SET, PISTON (0.25)		K	K1	6	(4)	13021-374-000	0395483	
	RING SET, PISTON (0.50)		K	K1	6	(4)	13031-374-000	0395491	
	RING SET, PISTON (0.75)		K	K1	6	(4)	13041-374-000	0395509	
	RING SET, PISTON (1.00)		K	K1	6	(4)	13051-374-000	0395517	
3	PISTON (STD)		K	K1	6	-----	4	13101-374-000	0362038
	PISTON (0.25)		K	K1	6	(4)	13102-374-000	0395210	
	PISTON (0.50)		K	K1	6	(4)	13103-374-000	0395228	
	PISTON (0.75)		K	K1	6	(4)	13104-374-000	0395236	
	PISTON (1.00)		K	K1	6	(4)	13105-374-000	0395244	
4	PIN, PISTON		K	K1	6	-----	4	13111-286-000	0249805
	PIN, PISTON		K	K1	6	-----	4	13111-440-000	1079219
5	ROD COMP. C, CONNECTING		K	K1	6	-----	4	13203-323-000	0258103
	ROD COMP. D, CONNECTING		K	K1	6	-----	4	13204-323-000	0258111
	ROD COMP. E, CONNECTING		K	K1	6	-----	4	13205-323-000	0258129
	ROD COMP. F, CONNECTING		K	K1	6	-----	4	13206-323-000	0258137
	ROD COMP. G, CONNECTING		K	K1	6	-----	4	13207-323-000	0258145
6	BOLT, CONNECTING ROD (TOKAI)		K	K1	6	-----	8	13213-333-003	0296632
7	NUT, CONNECTING ROD		K	K1	6	-----	8	13214-300-000	0190488
8	BEARING A, CONNECTING ROD (DAIDO)		K	K1	6	-----	8	13215-323-003	0256032
	BEARING A, CONNECTING ROD (BLACK)		K	K1	6	-----	8	13215-426-003	0740365
	BEARING B, CONNECTING ROD (DAIDO)		K	K1	6	-----	8	13216-323-003	0256040
	BEARING C, CONNECTING ROD (DAIDO)		K	K1	6	-----	8	13217-323-003	0256057
	BEARING C, CONNECTING ROD (GREEN)		K	K1	6	-----	8	13217-426-003	0740381
	BEARING D, CONNECTING ROD (DAIDO)		K	K1	6	-----	8	13218-323-003	0256065
	BEARING D, CONNECTING ROD (YELLOW)		K	K1	6	-----	8	13218-426-003	0740399
9	CRANKSHAFT COMP.		K	K1	6	-----	1	13300-323-000	0256115
10	BEARING A, CRANKSHAFT		K	K1	6	-----	10	13315-323-000	0256073
	BEARING B, CRANKSHAFT		K	K1	6	-----	10	13316-323-000	0256081
	BEARING C, CRANKSHAFT		K	K1	6	-----	10	13317-323-000	0256099

CONTENTS

TITLE	PAGE GRID
AIR CLEANER	78 E3
ALTERNATOR	24 B12
BOLT	48 C19
BRAKE MASTER FR	132 G8
CABLE	50 D1
CAMSHAFT	10 B5
CANISTER/OIL	44 C10
CLUTCH	16 BB
CRANKCASE	40 CR
CRANKCASE COVER	16 BR
CRANKSHAFT	10 B5
CYLINDER	2 B1
CYLINDER	132 G6
EXHAUST MUFFLER	90 E9
FENDER FR	62 D7
FRAME	118 F11
FUEL TANK	78 E3
HANDLEBAR	30 D1
HEAD	2 B1
HEADLIGHT	56 D4
KICK STARTER SPINDLE	30 C3
OIL FILTER	40 C6
OIL PUMP	24 B12
SHOCK ABSORBER RR	98 F1
SPEEDOMETER	56 D4
STEERING STEM	62 D7
STEP	90 E9
SWINGARM	98 F1
TACHOMETER	56 D4
TAILLIGHT K	106 F5
TAILLIGHT K1-76	112 F8
TRANSMISSION	30 C3
TURN SIGNAL K	106 F5
TURN SIGNAL K1-76	112 F8
WASHER (CRANKCASE)	48 C12
WHEEL FR	70 D15
WHEEL RR	70 D15
WIRE HARNESS	118 F11

GRID

B5

AMERICAN HONDA MOTOR CO. LTD. 1964

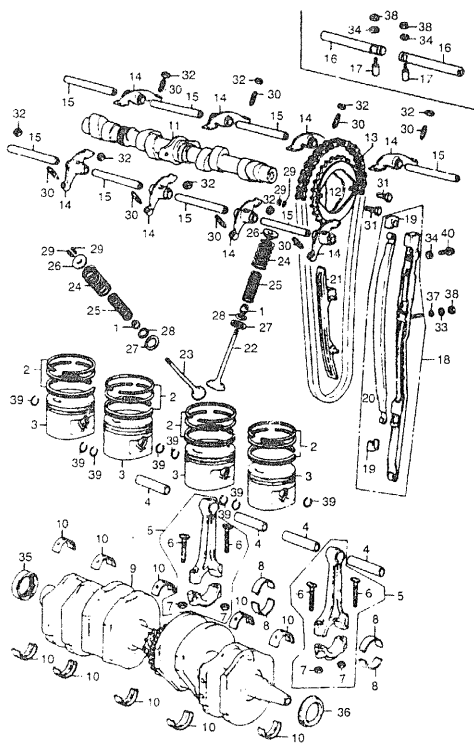
B5

AMERICAN HONDA MOTOR CO. LTD. 1964 B1

CB550 ENGINE NO.; CB550-1000001 TO SUBSEQUENT
CB550 FRAME NO.; CB550K-1000001 TO SUBSEQUENT
CB550K1 ENGINE NO.; CB550E-1029182 TO SUBSEQUENT
CB550K1 FRAME NO.; CB550K-1200001 TO SUBSEQUENT

CB550K176 ENGINE NO.; CB550E-1067334 TO SUBSEQUENT
CB550K176 FRAME NO.; CB550K-1230001 TO SUBSEQUENT

CAMSHAFT • CRANKSHAFT



E13374002

Y = CB550
K1 = CB550K1
6 = CE150K76

Ref. No.	BLOCK NO. DESCRIPTION	E-2	CB550			SERIAL NUMBER FROM TO	QTY	PART NUMBER	HONDA CODE
			K	K1	6				
10	BEARING D, CRANKSHAFT		K	K1	6	-----	10	13318-323-000	0258079
11	CAMSHAFT		K	K1	6	-----	1	14101-323-000	0256103
12	SPROCKET, CAM		K	K1	6	-----	1	14321-323-000	0256131
13	CHAIN, CAM		K	K1	6	-----	1	14401-323-003	0256107
	CHAIN, CAM		K	K1	6	-----	1	14401-326-003	0332932
14	ARM, VALVE ROCKER		K	K1	6	-----	8	14431-324-000	0249821
15	SHAFT, VALVE ROCKER ARM		K	K1	6	-----	8	14451-323-010	0280727
			---	---	---	1083640	8	14451-323-010	0280727
16	SHAFT, VALVE ROCKER ARM		---	---	---	1083641	4	14451-323-020	0458679
17	PIN, VALVE ROCKER ARM SHAFT COTTER		---	---	---	1083641	4	14456-390-000	0458687
18	TENSIONER, CAM CHAIN		K	K1	6	-----	1	14500-323-000	0256156
19	DAMPER, CAM CHAIN TENSIONER		K	K1	6	-----	2	14501-323-000	0257998
20	SLIPPER, TENSIONER		K	K1	6	-----	1	14520-323-000	0258004
21	GUIDE, CAM CHAIN		K	K1	6	-----	1	14611-323-000	0256164
22	VALVE, IN.		K	K1	6	-----	4	14711-107-020	0214676
23	VALVE, EX. (MITSUBISHI)		K	K1	6	-----	4	14721-323-005	0254599
24	SPRING, VALVE OUTER		K	K1	6	-----	8	14751-107-010	0214700
	SPRING, VALVE OUTER		K	K1	6	-----	8	14751-324-000	0242710
25	SPRING, VALVE INNER		K	K1	6	-----	8	14761-107-010	0214718
	SPRING, VALVE INNER		K	K1	6	-----	8	14761-324-000	0242727
26	RETAINER, VALVE SPRING		K	K1	6	-----	8	14771-107-020	0214726
27	SEAT, VALVE SPRING OUTER		K	K1	6	-----	8	14775-107-000	0214759
28	SEAT, VALVE SPRING INNER		K	K1	6	-----	8	14776-107-010	0214767
29	COTTER, VALVE (SANKO)		K	K1	6	-----	16	14781-107-003	0822478
	COTTER, VALVE IN.		K	K1	6	-----	16	14781-107-020	0214742
30	SCREW, TAPPET ADJ.		K	K1	6	-----	8	90012-300-000	0139027
	SCREW, TAPPET ADJ.		K	K1	6	-----	8	90012-426-000	0768499
31	BOLT, HEX. KNOCK, 7X12		K	K1	6	-----	2	90081-246-000	0192674
32	NUT, TAPPET ADJ.		K	K1	6	-----	8	90206-250-000	0040139
33	WASHER, SEALING, 6MM		K	K1	6	-----	1	90442-035-000	0070961
34	WASHER A, 6.5MM		K	K1	6	-----	1	90481-250-000	0400212
35	OIL SEAL, 30X42X8		K	K1	6	-----	1	91201-300-003	0193961
36	OIL SEAL, 30X45X8		K	K1	6	-----	1	91201-323-005	0253591

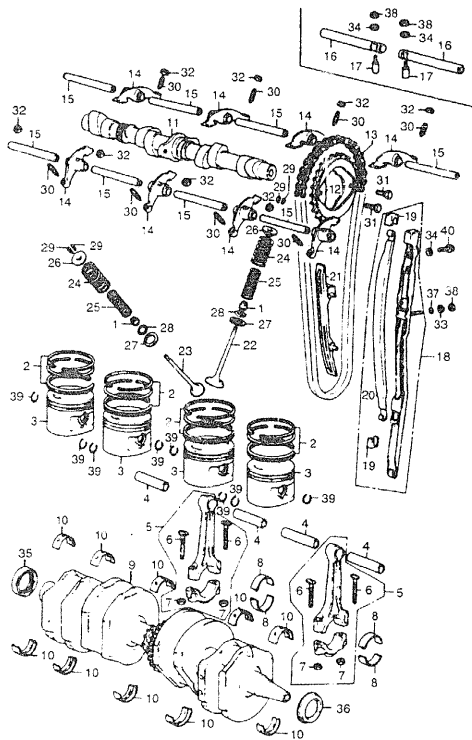
CONTENTS

TITLE	PAGE	GRID
AIR CLEANER	78	E3
ALTERNATOR	24	B*2
BOLT	49	C12
BRAKE MASTER FR	132	G6
CABLE	50	D1
CAMSHAFT	10	B5
CARBURETOR	44	C10
CLUTCH	16	B8
CRANKCASE	40	C8
CRANKCASE COVER	16	B8
CRANKSHAFT	10	B5
CYLINDER	2	B1
CYLINDER	132	G6
EXHAUST MUFFLER	90	E9
FENDER FR	62	D7
FRAME	118	F11
FUEL TANK	78	E3
HANDLEBAR	50	D1
HEAD	2	B1
HEADLIGHT	56	D4
KICK STARTER SPINDLE	30	C3
OIL FILTER	40	C8
OIL PUMP	24	B12
SHOCK ABSORBER RR	98	F1
SPEEDOMETER	56	D4
STEERING STEM	62	D7
STEP	90	E9
SWINGARM	98	F1
TACHOMETER	56	D4
TAILLIGHT K	106	F5
TAILLIGHT K1-76	112	B3
TRANSMISSION	30	C3
TURN SIGNAL K	106	F5
TURN SIGNAL K1-76	112	B3
WASHER (CRANKCASE)	48	C12
WHEEL FR	70	D11
WHEEL RR	70	D11
WIRE HARNESS	118	F11

GRID

B6

CAMSHAFT & CRANKSHAFT



E13374002

K = CB550
 K1 = CB550K1
 6 = CB550K76

Ref No.	BLOCK NO. DESCRIPTION	E-2	CB550			ENGINE SERIAL NUMBER	QTY	PART NUMBER	HONDA CODE
			K	K1	6				
37	O-RING, 5.8X1.9		K	K1	6	-----	1	91305-323-000	0258012
	O-RING, 5.6X1.9 (CAR1)		K	K1	6	-----	1	91318-ME5-003	1366574
38	NUT, HEX., 6MM		K	K1	6	-----	1	90310-KA1-711	1553976
	NUT, HEX., 6MM		K	K1	6	-----	1	94000-06000-0S	1391283
	NUT, HEX., 6MM		K	K1	6	-----	1	94001-06000	0058016
	NUT, HEX., 6MM		K	K1	6	-----	1	94001-06000-0S	0156067
	NUT, HEX., 6MM		K	K1	6	-----	1	94001-06008-0S	2829414
	NUT, HEX., 6MM		K	K1	6	-----	1	94001-06200-0S	2043255
	NUT, HEX., 6MM		K	K1	6	-----	1	94030-06000	1642693
39	CLIP, PISTON PIN, 15MM		K	K1	6	-----	8	94601-15000	0156018
40	BOLT, FLANGE, 6X22		K	K1	6	-----	1	95700-06022-00	0483925
	BOLT, FLANGE, 6X22		K	K1	6	-----	1	95701-06022-00	2105823

AMERICAN HONDA MOTOR CO. LTD. 1974 15

CONTENTS

TITLE	PAGE	GRID
AIR CLEANER	76	E3
ALTERNATOR	24	B12
BOLT	46	C12
BRAKE MASTER FR	132	G4
CABLE	50	D1
CAMSHAFT	10	B5
CARBURETOR	44	C10
CLUTCH	16	B8
CRANKCASE	40	C8
CRANKCASE COVER	16	B8
CRANKSHAFT	10	B5
CYLINDER	2	B1
CYLINDER	132	G6
EXHAUST MUFFLER	90	E9
FENDER FR	62	D7
FRAME	118	F11
FUEL TANK	76	E3
HANDLEBAR	50	D1
HEAD	2	B1
HEADLIGHT	56	D4
KICK STARTER SPINDLE	30	C3
OIL FILTER	40	C8
OIL PUMP	24	B2
SHOCK ABSORBER FR	90	F1
SPEEDOMETER	56	D4
STEERING STEM	62	D7
STEP	90	E9
SWINGARM	98	F1
TACHOMETER	56	D4
TAILLIGHT K	106	F5
TAILLIGHT K1-76	112	F6
TRANSMISSION	30	C3
TURN SIGNAL K	106	F5
TURN SIGNAL K1-76	112	F6
WASHER (CRANKCASE)	48	C12
WHEEL FR	70	D11
WHEEL RR	70	D11
WIRE HARNESS	118	F11

GRID

B7

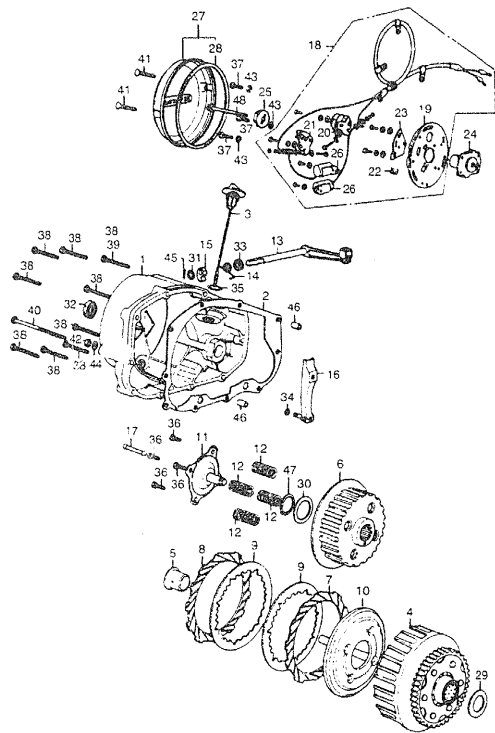
AMERICAN HONDA MOTOR CO. LTD. 1974

CB550 ENGINE NO.; CB550E-1000001 TO SUBSEQUENT;
 CB550 FRAME NO.; CB550K-1000001 TO SUBSEQUENT
 CB550K1 ENGINE NO.; CB550E-1029182 TO SUBSEQUENT
 CB550K1 FRAME NO.; CB550K-1200001 TO SUBSEQUENT

CB550K76 ENGINE NO.; CB550E-1067334 TO SUBSEQUENT
 CB550K76 FRAME NO.; CB550K-1230001 TO SUBSEQUENT

B7

CLUTCH • CRANKCASE COVER



F11374003

K = CB550
K1 = CB550K1
6 = CB550K76

Ref No	BLOCK NO. DESCRIPTION	E-3	CB550			ENGINE SERIAL NUMBER FROM TO	QTY REQ	PART NUMBER	HONDA CODE
			K	K1	6				
1	COVER COMP., R. CRANKCASE	----	K	---	---	1003136	1	11331-374-000	0361956
	COVER COMP., R. CRANKCASE	----	K	---	---	1003137	1	11331-374-010	0380949
		----	K	---	6	1071344	1	11331-374-010	0380949
		----	K	---	6	1071344	1	11331-374-010	0380949
2	GASKET, R. CRANKCASE COVER	----	K	K1	---	---	1	11394-374-000	0361972
		----	K	---	6	1071344	1	11394-374-000	0361972
	GASKET, R. CRANKCASE COVER	----	K	---	6	1071345	1	11394-390-000	0402255
		----	K	---	6	1071345	1	11394-390-306	4301040
3	GAUGE, OIL LEVEL	----	K	K1	6	---	1	15650-323-000	0254649
4	OUTER COMP., CLUTCH	----	K	K1	---	---	1	22100-374-000	0362202
	OUTER COMP., CLUTCH (63T)	----	K	---	6	---	1	22100-390-000	0402461
5	COLLAR, 25MM	----	K	K1	6	---	1	22116-374-300	0362210
6	CENTER COMP., CLUTCH	----	K	K1	---	---	1	22120-374-000	0362228
	CENTER COMP., CLUTCH	----	K	---	6	---	1	22120-390-000	0402487
7	DISK, CLUTCH FRICTION	----	K	K1	---	---	7	22201-286-010	0180299
		----	K	---	6	---	6	22201-286-010	0180299
8	DISK B, CLUTCH FRICTION	----	K	---	6	---	1	22202-390-000	0402495
	DISK B, CLUTCH FRICTION	----	K	---	6	---	1	22202-392-000	0435123
9	PLATE, CLUTCH	----	K	K1	6	---	6	22321-MT3-000	3483674
	PLATE, CLUTCH	----	K	K1	6	---	6	22321-374-000	0362236
10	PLATE, CLUTCH PRESSURE	----	K	K1	---	---	1	22350-374-000	0362244
	PLATE, CLUTCH PRESSURE	----	K	---	6	---	1	22350-390-000	0402503
11	PLATE, CLUTCH LIFTER	----	K	K1	---	---	1	22360-374-000	0362251
	PLATE COMP., CLUTCH LIFTER	----	K	---	6	---	1	22360-390-000	0402511
12	SPRING, CLUTCH	----	K	---	---	1021685	4	22401-275-000	0038547
	SPRING, CLUTCH	----	K	---	---	1021685	4	22401-323-000	0363131
	SPRING, CLUTCH	----	K	---	---	1021685	4	22401-321-000	0362269
	SPRING, CLUTCH	----	K	---	---	1021686	4	22401-374-000	0390849
		----	K	K1	6	---	4	22401-274-000	0390849
13	LEVER COMP., CLUTCH	----	K	---	---	1021685	1	22710-374-000	0362277
	LEVER COMP., CLUTCH	----	K	---	---	1021686	1	22710-374-010	0390356
		----	K	K1	6	---	1	22710-374-010	0390856
14	SPRING, CLUTCH LEVER	----	K	K1	6	---	1	22815-374-000	0362285

CONTENTS

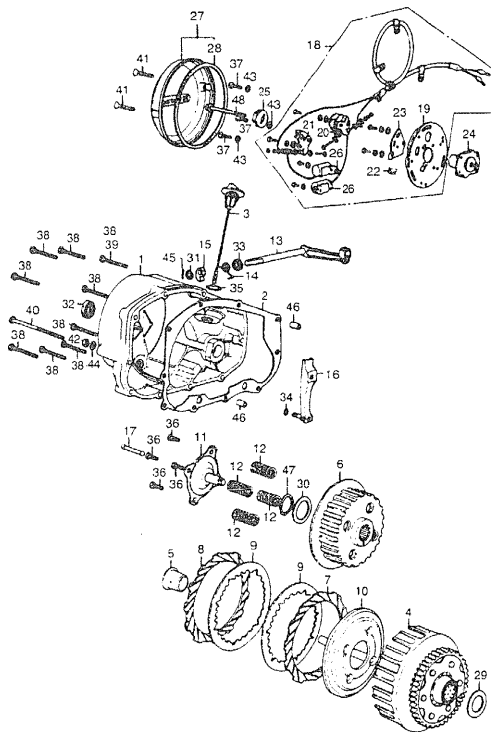
TITLE	PAGE GRID
AIR CLEANER	78 E3
ALTERNATOR	24 B12
BOLT	48 C12
BRAKE MASTER FR	132 C6
CAJLE	50 D1
CRANKSHAFT	10 B5
CARBURETOR	44 C10
CLUTCH	16 B8
CRANKCASE COVER	40 C8
CRANKSHAFT	16 B8
CYLINDER	2 B1
CYLINDER	132 D6
EXHAUST MUFFLER	90 E9
FENDER FR	62 D7
FRAME	118 F11
FUEL TANK	78 E3
HANDLEBAR	50 D1
HEAD	2 B1
HEADLIGHT	56 D4
KICK STARTER SPINDLE	30 C5
OIL FILTER	40 C8
OIL PUMP	24 F 2
SHOCK ABSORBER FR	58 D1
SPEEDOMETER	50 D4
STEERING STEM	62 D7
STEP	90 E9
SWINGARM	98 F1
TACHOMETER	56 D4
TAILLIGHT K	106 F5
TAILLIGHT K1-76	112 F8
TRANSMISSION	30 C3
TURN SIGNAL	106 F5
TURN SIGNAL K1-76	112 F8
WASHER (CRANKCASE)	48 C12
WHEEL FR	70 D11
WHEEL RR	70 D11
WIRE HARNESS	118 F11

GRID **B8**

CB550 ENGINE NO.; CB550-100001 TO SUBSEQUENT
CB550 FRAME NO.; CB550K-100000 TO SUBSEQUENT
CB550K1 ENGINE NO.; CB550-1029182 TO SUBSEQUENT
CB550K1 FRAME NO.; CB550K-1200001 TO SUBSEQUENT

CB550K76 ENGINE NO.; CB550E-1067334 TO SUBSEQUENT
CB550K76 FRAME NO.; CB550K-1230001 TO SUBSEQUENT

CLUTCH • CRANKCASE COVER



E13374003

K = CB550
K1 = CB550K1
6 = CB550K76

Ret. No.	BLOCK NO. DESCRIPTION	E-3	CB550		ENGINE SERIAL NUMBER	QTY	REO	PART NUMBER	HONDA CODE
			K	K1					
					FROM	TO			
15	CAM, CLUTCH LIFTER		K	--	1021685		1	22821-107-000	0215079
	CAM, CLUTCH LIFTER		K	--	1021686		1	22821-116-000	0307983
			K1	6			1	22821-116-000	0307983
16	LEVER COMP., CLUTCH ADJUSTING		K	K1			1	22831-333-010	0295022
	LEVER COMP., CLUTCH ADJUSTING		K	K1			1	22831-333-020	0746438
17	ROD, CLUTCH LIFTER		K	K1			1	22850-333-000	0295030
18	POINTS ASSY. (HITACHI)		K	K1			1	30200-323-005	0254870
	POINTS ASSY. (TOYO)		K	Y			1	30200-323-154	0378604
19	PLATE, POINT BASE (HITACHI)		K	K1			1	30201-300-015	0219535
	PLATE, POINT BASE (TOYO)		K	K1			1	30201-300-154	0366146
20	POINTS (184 HITACHI)		K	K1			1	30203-300-005	0189423
	POINTS (184 TOYO)		K	K1			1	30203-300-154	0366153
21	POINTS (283 HITACHI)		K	K1			1	30204-300-005	0189431
	POINTS (283 TOYO)		K	K1			1	30204-300-154	0366104
22	FELT, OIL (HITACHI)		K	K1			1	30205-003-005	0119784
	FELT, OIL (TOYO)		K	K1			1	30205-300-154	0363192
23	PLATE, POINTS SHIFT		K	K1			1	30215-300-005	0189449
	PLATE, POINTS SHIFT (TOYO)		K	K1			1	30215-300-154	0374504
24	ADVANCER ASSY., SPARK (HITACHI)		K	K1			1	30220-323-005	0254888
	ADVANCER ASSY., SPARK (TOYO)		K	K1			1	30220-323-154	0378612
25	WASHER, SPECIAL		K	K1			1	30233-300-000	0189472
26	CONDENSER COMP. (HITACHI)		K	K1			2	30250-300-005	0189480
	CONDENSER COMP. (TOYO)		K	K1			2	30250-300-154	0366435
27	COVER COMP., POINTS		K	K1			1	30370-323-000	0254896
28	GASKET, POINT COVER		K	K1			1	30372-300-300	0189514
29	WASHER, THRUST, 25MM		K	K1			1	90455-374-000	0362848
30	SPACER, 0.1MM		K	K1			1	90458-323-010	0292318
	SPACER, 0.3MM		K	K1			1	90459-323-010	0292326
	SPACER, 0.5MM		K	K1			1	90460-323-010	0292334
31	WASHER, 10MM		K	K1			1	90471-333-000	0295824
32	OIL SEAL, 18x29x7		K	K1			1	91204-286-003	0153254
	OIL SEAL, 18x29x7		K	K1			1	91204-286-005	0342394
33	OIL SEAL, 10X16X4.5		K	K1			1	91206-333-003	0291054

AMERICAN HONDA MOTOR CO. LTD. 1984 19

CONTENTS

TITLE	PAGE	GRID
AIR CLEANER	76	E3
ALTERNATOR	24	B12
BOLT	48	C12
BRAKE MASTER FR	132	G6
CABLE	50	D1
CAMSHAFT	10	B5
CARBURETOR	44	C10
CLUTCH	16	B8
CRANKCASE	40	C8
CRANKCASE COVER	16	B8
CRANKSHAFT	10	B5
CYLINDER	2	B1
CYLINDER	132	G6
EXHAUST MUFFLER	90	E9
FENDER FR	62	D7
FRAME	118	F11
FUEL TANK	76	E3
HANDLEBAR	50	D1
HEAD	2	B1
HEADLIGHT	56	D4
KICK STARTER SPINDLE	30	C3
OIL FILTER	40	C8
OIL PUMP	24	B12
SHOCK ABSORBER RR	99	F1
SPEEDOMETER	56	D4
STEERING STEM	62	D7
STEP	90	E9
SWINGARM	98	F1
TACHOMETER	56	D4
TAILLIGHT K	106	F5
TAILLIGHT K1-76	112	F8
TRANSMISSION	30	C3
TURN SIGNAL K	106	F6
TURN SIGNAL K1-76	112	F8
WASHER (CRANKCASE)	48	C12
WHEEL FR	70	D11
WHEEL RR	70	D11
WIRE HARNESS	118	F11

GRID

B9

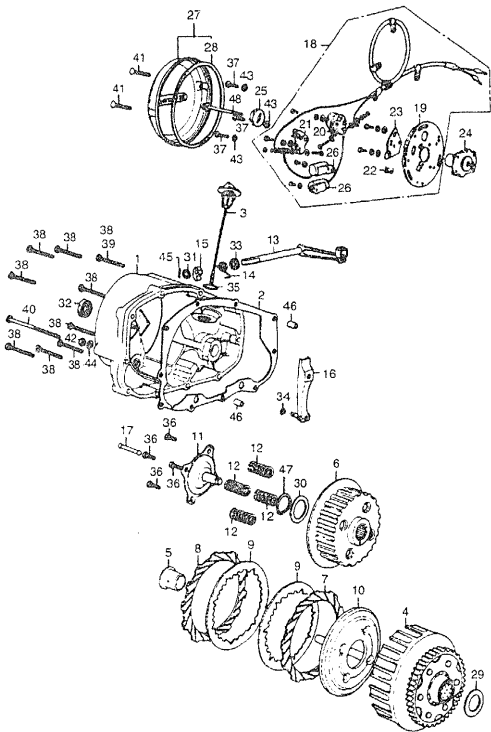
AMERICAN HONDA MOTOR CO. LTD. 1984

CB550 ENGINE NO.; CB550E-1000001 TO SUBSEQUENT
CB550 FRAME NO.; CB550K-1000001 TO SUBSEQUENT
CB550K1 ENGINE NO.; CB550E-1029182 TO SUBSEQUENT
CB550K1 FRAME NO.; CB550K-1200001 TO SUBSEQUENT

CB550K76 ENGINE NO.; CB550E-1067334 TO SUBSEQUENT
CB550K76 FRAME NO.; CB550K-1230001 TO SUBSEQUENT

B9

CLUTCH • CRANKCASE COVER



E13374003

K = CB550
K1 = CB550K1
6 = CB550K76

Ref. No.	BLOCK NO. DESCRIPTION	E-3	CB550			ENGINE SERIAL NUMBER FROM TO	Q T Y	PART NUMBER	HONDA CODE
			K	K1	6				
33	OIL SEAL, 10X16X4.5		K	K1	6		1	91259-VM0-000	1775170
34	O-RING, 6MM		K	K1	6		1	91301-704-000	0192690
35	O-RING, 23MM		K	K1	6		1	91354-702-000	0122143
36	BOLT, HEX., 6X22		K	K1	6		4	92020-06022	0416776
	BOLT, HEX., 6X22		K	K1	6		4	92022-06022	1417542
37	SCREW, PAN, 5X12		K	K1	6		3	93500-05012-0A	0173567
38	SCREW, PAN, 6X32		K	---	---	1003136	9	93500-06032	0057562
			K	---	---	1003137	8	93500-06032	0057562
			K	---	---	1003136	8	93500-06032	0057562
	SCREW, PAN, 6X32		K	---	---	1003136	9	93500-06032-0A	0666065
			K	---	---	1003137	8	93500-06032-0A	0666065
			K	---	---	1003136	8	93500-06032-0A	0666065
39	SCREW, PAN, 6X75		K	---	---	1003137	1	93500-06075	0057737
			K	---	---	1003137	1	93500-06075	0057737
40	SCREW, PAN, 6X80		K	K1	6		1	93500-06080	0057745
	SCREW, PAN, 6X80		K	K1	6		1	93500-06080-0A	3872421
41	SCREW, OVAL, 6X32		K	K1	6		2	93700-06032	0253740
	SCREW, OVAL, 6X32		K	K1	6		2	93700-06032-02	0916221
	SCREW, OVAL, 6X32		K	K1	6		2	93700-06032-0B	0192682
42	NUT, HEX., 6MM		K	K1	6		1	90310-K43-711	1553916
	NUT, HEX., 6MM		K	K1	6		1	94001-06000-0S	1391283
	NUT, HEX., 6MM		K	K1	6		1	94001-06000	0058016
	NUT, HEX., 6MM		K	K1	6		1	94001-06000-0S	0156067
	NUT, HEX., 6MM		K	K1	6		1	94001-06008-0S	2829414
	NUT, HEX., 6MM		K	K1	6		1	94001-06200-0S	2043255
	NUT, HEX., 6MM		K	K1	6		1	94030-06000	1642693
43	WASHER, PLAIN, 5MM		K	K1	6		3	94101-05000	0059055
44	WASHER, PLAIN, 6MM		K	K1	6		1	94101-06000	0059071
	WASHER, PLAIN, 6MM		K	K1	6		1	94101-06080	3136074
	WASHER, PLAIN, 6MM		K	K1	6		1	94101-06800	0345900
45	PIN, COTTER 2.0X15		K	K1	6		1	94201-20150	0058347
46	PIN A, DOWEL, 8X14		K	K1	6		2	94301-08140	0069310
47	CIRCLIP, EXTERNAL, 25MM		K	K1	6		1	94510-25150	0210104
48	BOLT, FLANGE, 6X35		K	K1	6		1	95700-06055-00	0483982

CONTENTS

TITLE	PAGE	GRID
AIR CLEANER	78	E3
ALTERNATOR	24	B12
BOLT	48	C12
BRAKE MASTER FR.	132	G6
CABLE	50	D1
CAMSHAFT	46	B5
CARRIURETOR	44	C10
CLUTCH	16	BB
CRANKCASE	40	CB
CRANKCASE COVER	16	BB
CRANKSHAFT	10	BB
CYLINDER	2	B1
CYLINDER	132	G6
EXHAUST MUFFLFR	90	E9
FENDER FR.	62	DT
FRAME	118	F11
FUEL TANK	78	E3
HANDLEBAR	50	D1
HEAD	2	B1
HEADLIGHT	56	D4
KICK STARTER SPINDLE	30	C3
OIL FILTER	40	CB
OIL PUMP	24	B12
SHOCK ABSORBER RR	98	F1
SPEEDOMETER	56	D4
STEERING STEM	62	DT
STEP	90	E9
SWINGARM	98	F1
TACHOMETER	56	D4
TAILLIGHT K	106	F5
TAILLIGHT K1-76	112	F8
TRANSMISSION	30	C3
TURN SIGNAL K	106	F5
TURN SIGNAL K1-76	112	F8
WASHER ; CRANKCASE	48	C12
WHEEL FR.	70	D11
WHEEL RR	70	D11
WIRE HARNESS	118	F11

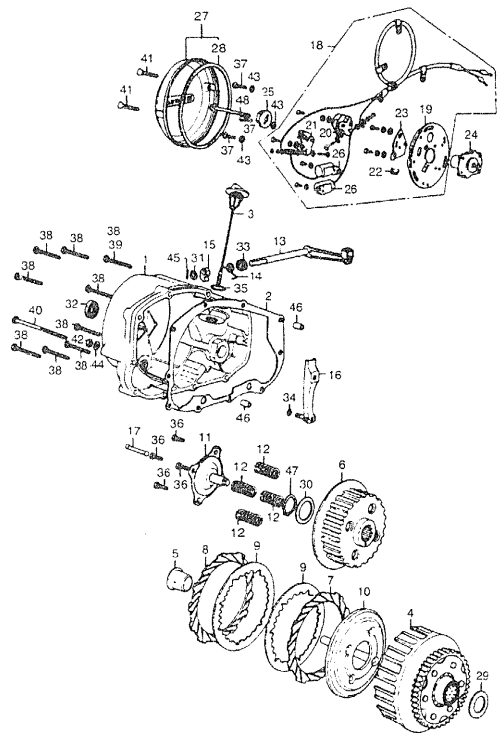
GRID **B10**

AMERICAN HONDA MOTOR CO., LTD. 1994
 CB550 ENGINE NO.; CB550E-1000001 TO SUBSEQUENT
 CB550 FRAME NO.; CB550K-1000001 TO SUBSEQUENT
 CB550K1 ENGINE NO.; CB550E-1029182 TO SUBSEQUENT
 CB550K1 FRAME NO.; CB550K-1200001 TO SUBSEQUENT

CB550K76 ENGINE NO.; CB550E-1067334 TO SUBSEQUENT
 CB550K76 FRAME NO.; CB550K-1230001 TO SUBSEQUENT

AMERICAN HONDA MOTOR CO., LTD. 1994 21

CLUTCH • CRANKCASE COVER



E13374003

K = CB550
K1 = CB550K1
6 = CB550K76

Ref. No.	BLOCK NO. DESCRIPTION	E-3	K			ENGINE SERIAL NUMBER FROM TO	QTY	PART NUMBER	HONDA CODE
			K	K1	6				
48	BOLT, FLANGE, 6X55		K	K1	6	-----	1	95701-06055-00	2533834

CONTENTS

TITLE	PAGE	GRID
AIR CLEANER	78	E3
ALTERNATOR	24	B12
BOLT	48	C12
BRAKE MASTER FR.	132	G6
CABLE	56	D1
CRANKSHAFT	19	B5
CRANKSHAFT	16	B8
CRANKCASE	40	C8
CRANKCASE COVER	16	B8
CRANKSHAFT	10	B5
CYLINDER	2	B1
CYLINDER	132	G6
EXHAUST MUFFLER	90	E9
FENDER FR.	62	D7
FRAME	118	F11
FUEL TANK	78	E3
HANDLEBAR	50	D1
HEAD	2	B1
HEADLIGHT	56	D4
KICK STARTER SPINDLE	30	C3
OIL FILTER	40	C8
OIL PUMP	24	G12
SHOCK ABSORBER RR.	98	F1
SPEEDOMETER	56	D4
STEERING STEM	62	D7
STEP	90	E9
SWINGARM	98	F1
TACHOMETER	56	D4
TALLIGHT K	106	F5
TALLIGHT K1-76	112	F8
TRANSMISSION	30	C3
TURN SIGNAL K	106	F5
TURN SIGNAL K1-76	112	F8
WASHER (CRANKCASE)	48	C12
WHEEL FR.	70	D11
WHEEL RR.	70	D11
WIRE HARNESS	118	F11

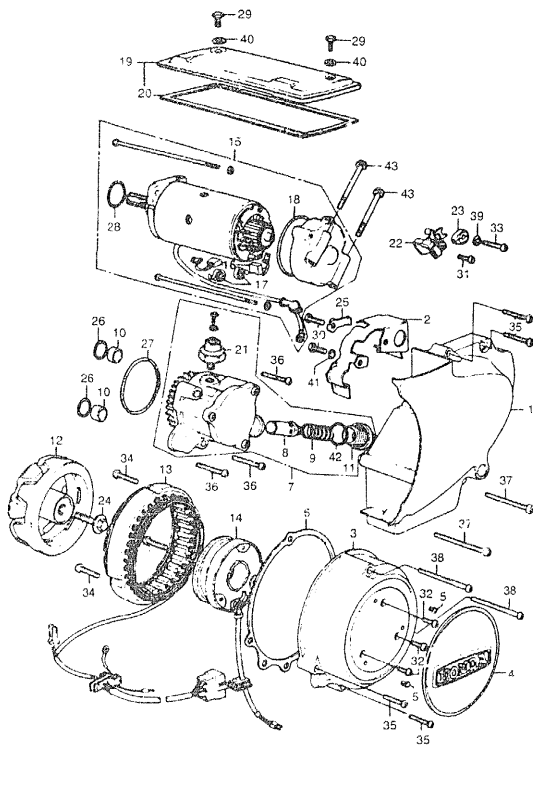
GRID

B11

CB550 ENGINE NO.; CB550E-1000001 TO SUBSEQUENT
CB550 FRAME NO.; CB550K-1000001 TO SUBSEQUENT
CB550K1 ENGINE NO.; CB550E-1029182 TO SUBSEQUENT
CB550K1 FRAME NO.; CB550K-1200001 TO SUBSEQUENT

CB550K76 ENGINE NO.; CB550E-1067334 TO SUBSEQUENT
CB550K76 FRAME NO.; CB550K-1230001 TO SUBSEQUENT

ALTERNATOR • OIL PUMP



E-13374004

K = CB550
K1 = CB550K1
6 = CB550K76

Ref. No.	BLOCK NO. DESCRIPTION	E-4	K			ENGINE SERIAL NUMBER FROM TO	QTY	PART NUMBER	HONDA CODE
			K1	6	76				
1	COVER COMP., L. CRANKCASE	K	K1	6	---	---	1	1134-374-010	0361964
2	PROTECTOR, CASI	K	K1	6	---	---	1	11353-363-000	0348136
3	COVER A, ALTERNATOR	K	K1	6	---	---	1	11651-323-000	0255976
4	COVER B, ALTERNATOR (UEHARA)	K	K1	6	---	---	1	11632-323-003	0266627
5	PUSH ON FIX, J.I.P.E.	K	K1	6	---	---	3	11633-323-000	0255992
6	GASKET, ALTERNATOR COVER	K	K1	6	---	---	1	11691-323-000	0256008
7	PUMP ASSY., OIL (YAMADA)	K	K1	6	---	---	1	15100-323-003	0254607
8	PUMP ASSY., OIL	K	K1	6	---	---	1	15100-390-000	0413997
8	VALVE, RELIEF	K	K1	6	---	---	1	15140-300-010	0190322
9	SPRING, RELIEF VALVE	K	K1	6	---	---	1	15145-300-000	0190330
10	COLLAR, O-RING	K	K1	3	---	---	2	15155-323-000	0254631
11	CAP, OIL PATH	K	K1	6	---	---	1	15331-323-003	0254615
12	ROTOR COMP. (HITACHI)	K	K1	6	---	---	1	31101-323-005	0254904
	ROTOR COMP. (HITACHI)	K	K1	6	---	---	1	31101-404-831	1071208
13	STATOR COMP. (HITACHI)	K	K1	6	---	---	1	31102-323-025	0291336
14	COIL COMP., FIELD (HITACHI)	K	K1	---	---	---	1	31103-323-005	0254920
	COIL COMP., FIELD	K	K1	6	---	---	1	31103-390-005	0430363
15	MOTOR ASSY., STARTING	K	K1	6	---	---	1	31200-323-013	0254938
	MOTOR ASSY., STARTING	K	K1	6	---	---	1	31200-426-405	4434551
16	BRUSH SET, CARBON	K	K1	6	---	---	2	31201-292-158	0151357
17	SPRING, CARBON BRUSH	K	K1	6	---	---	2	31204-292-158	0151373
18	O-RING	K	K1	6	---	---	2	31206-286-158	0156323
	O-RING, ØX1.4	K	K1	6	---	---	2	31206-402-008	0414235
19	COVER COMP., STARTING MOTOR	K	K1	6	---	---	1	31280-323-000	0254946
20	GASKET, STARTING MOTOR COVER	K	K1	6	---	---	1	31282-323-300	0254953
21	SWITCH ASSY., OIL PRESSURE	K	K1	---	---	---	1	35500-300-000	0189894
	SWITCH ASSY., OIL PRESSURE	K	K1	---	---	---	1	35500-300-000	0189894
	SWITCH ASSY., OIL PRESSURE	K	K1	---	---	---	1	35500-333-004	0295659
	SWITCH ASSY., OIL PRESSURE	K	K1	---	---	---	1	35500-333-004	0295659
	SWITCH ASSY., OIL PRESSURE (ND) ..	K	K1	6	---	---	1	35500-333-014	0401265
	SWITCH ASSY., OIL PRESSURE (ND) ..	K	K1	6	---	---	1	35500-333-014	0401265
22	STATOR, NEUTRAL SWITCH	K	K1	6	---	---	1	35752-323-000	0254979
23	ROTOR, NEUTRAL SWITCH	K	K1	6	---	---	1	35753-323-000	0258038

CONTENTS

TITLE	PAGE	GRID
AIR CLEANER	76	L1
ALTERNATOR	76	B1
BOLT	46	D4
BRAKE MASTER FH	140	D1
CABLE	50	D1
CAMSHAFT	19	B1
CARBURETOR	14	D1
CLUTCH	11	B1
CRANKCASE	41	C1
CRANKCASE COVER	76	B1
CRANKSHAFT	19	B1
CYLINDER	11	B1
CYLINDER	11	B1
EXHAUST MUFFLER	56	B1
FENDER FR	76	B1
FRAME	76	B1
FUEL TANK	56	B1
HANDREAR	56	B1
HEAD	56	B1
HEADLIGHT	36	D4
RICK STARTER SPINNY	19	B1
OIL FILTER	46	D1
OIL PUMP	46	D1
SHOCK ABSORBER FR	46	D1
SPEEDOMETER	46	D1
STEERING STEM	46	D1
STEP	46	D1
SWINGARM	46	D1
TACHOMETER	46	D1
TAILLIGHT	46	D1
TAILLIGHT K1-76	46	D1
TRANSMISSION	46	D1
TURN SIGNAL K	46	D1
TURN SIGNAL K1-76	46	D1
WASHER (CRANKCASE)	46	D1
WHEEL FR	46	D1
WHEEL RR	46	D1
WIRE HARNESS	46	D1

24 AMERICAN HONDA MOTOR CO., LTD. 1984

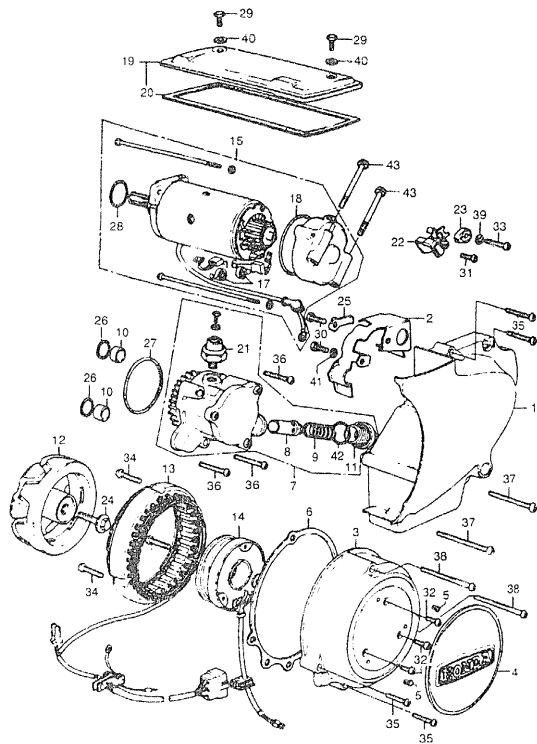
CB550 ENGINE NO.; CB550-1010001 TO SUBSEQUENT
CB550 FRAME NO.; CB550K-1000001 TO SUBSEQUENT
CB550K1 ENGINE NO.; CB550E-102918 TO SUBSEQUENT
CB550K1 FRAME NO.; CB550K-1200001 TO SUBSEQUENT

CB550K76 ENGINE NO.; CB550E-1067334 TO SUBSEQUENT
CB550K76 FRAME NO.; CB550K-1230001 TO SUBSEQUENT

1112

AMERICAN HONDA MOTOR CO. LTD. 1984 25

ALTERNATOR • OIL PUMP



E13374004

K = CB550
K1 = CB550K1
6 = CB550K76

Ref. No.	BLOCK NO. DESCRIPTION	E-4	K			ENGINE SERIAL NUMBER FROM TO	QTY	FREE	PART NUMBER	HONDA CODE
			K	K1	6					
24	BOLT, UBS, 10X32		K	K1	6	-----	1	90014-333-000	0291237	
	BOLT, UBS, 10X32		K	K1	6	-----	1	90014-333-003	2286789	
25	WASHER, TONGUED, 6MM		K	K1	6	-----	1	90532-323-000	0255265	
26	O-RING, 14MM		K	K1	6	-----	2	91301-268-020	0037184	
27	O RING, 47MM		K	K1	6	-----	1	91302-250-010	0035915	
28	O-RING, 24.4X3.1		K	K1	6	-----	1	91309-300-900	0189928	
	O-RING, 24.4X3.1 (ARAI)		K	K1	6	-----	1	91309-425-003	1113422	
	O-RING, 24.4X3.1		K	K1	6	-----	1	91312-M67-003	2618221	
29	BOLT, HEX., 6X12		K	K1	6	-----	2	92000-06012-02	0054205	
	BOLT, HEX., 6X12		K	K1	6	-----	2	92101-06012-0B	2959526	
30	BOLT, HEX., 6X16		K	K1	6	-----	2	92000-06016	0054239	
	BOLT, HEX., 6X16		K	K1	6	-----	2	92000-06016-0A	0313197	
	BOL., HEX., 6X16		K	K1	6	-----	2	92000-06016-1A	0915124	
	BOLT, HEX., 6X16		K	K1	6	-----	2	92100-06016-0A	1685726	
	BOLT, HEX., 6X16		K	K1	6	-----	2	92101-06016-0A	2479590	
	BOLT, HEX., 6X16		K	K1	6	-----	2	92200-06016-0A	1842400	
31	SCREW, PAN, 6X12		K	K1	6	-----	1	93500-06012	0057422	
	SCREW, PAN, 6X12		K	K1	6	-----	1	93500-06012-0A	0182360	
	SCREW, PAN, 6X12		K	K1	6	-----	1	93500-C6012-00	2711489	
32	SCREW, PAN, 6X16		K	K1	6	-----	3	93500-06016	0057455	
33	SCREW, PAN, 6X20		K	K1	6	-----	1	93500-06020	0057497	
34	SCREW, PAN, 6X28		K	K1	6	-----	3	93500-06028	0057547	
	SCREW, PAN, 6X28		K	K1	6	-----	3	93500-06020-0A	1238355	
35	SCREW, PAN, 6X32		K	K1	6	-----	4	93500-06032	0057562	
	SCREW, PAN, 6X32		K	K1	6	-----	4	93500-06032-0A	0666065	
36	SCREW, PAN, 6X35		K	K1	6	-----	3	93500-06035	0057570	
	SCREW, PAN, 6X35		K	K1	6	-----	3	93500-06035-0A	1520980	
37	SCREW, PAN, 6X55		K	K1	6	-----	2	93500-06055	0057661	
	SCREW, PAN, 6X55		K	K1	6	-----	2	93500-06055-0A	1972967	
38	SCREW, PAN, 6X65		K	K1	6	-----	2	93500-06065	0057695	
39	WASHER, PLAIN, 6MM		K	K1	6	-----	1	94101-06000	0059071	
	WASHER, PLAIN, 6MM		K	K1	6	-----	1	94101-06080	3136074	

CONTENTS

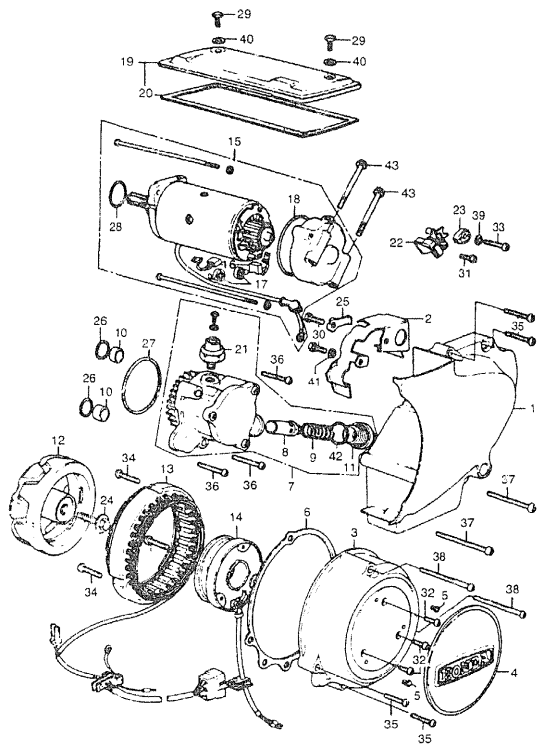
TITLE	PAGE GRID
AIR CLEANER	78 E3
ALTERNATOR	24 B12
BOLT	48 C12
BRAKE MASTER FR	132 G6
CABLE	50 D1
CRANKSHAFT	10 B5
CARBURETOR	44 C10
CLUTCH	16 L8
CRANKCASE COVER	40 CB
CRANKSHAFT	16 B6
CYLINDER	10 B5
CYLINDER	2 B1
CYLINDER	132 G6
EXHAUST MUFFLER	90 E9
FENDER FR	62 D7
FRAME	118 F1
FUEL TANK	78 E3
HANDLEBAR	50 D1
HEAD	2 B1
HEADLIGHT	56 D4
KICK STARTER SPINDLE	33 C3
Oil FILTER	40 CB
OIL PUMP	24 B12
SHOCK ABSORBER RR	98 F1
SPEEDOMETER	56 D4
STEERING STEM	62 D7
STEP	90 E9
SWINGARM	98 F1
TACHOMETER	56 D4
TAILLIGHT K	106 F5
TAILLIGHT K1-76	112 F8
TRANSMISSION	50 CB
TURN SIGNAL K	108 F5
TURN SIGNAL K1-76	112 F8
WASHER (CRANKCASE)	48 C12
WHEEL FR	70 D11
WHEEL RR	70 D11
WIRE HARNESS	118 F1

GRID **C1**

CB550 ENGINE NO.; CB550E-1000001 TO SUBSEQUENT
 CB550 FRAME NO.; CB550K-1000001 TO SUBSEQUENT
 CB550K1 ENGINE NO.; CB550E-1029182 TO SUBSEQUENT
 CB550K1 FRAME NO.; CB550K-1200001 TO SUBSEQUENT

CB550K76 ENGINE NO.; CB550E-1067334 TO SUBSEQUENT
 CB550K76 FRAME NO.; CB550K-1236001 TO SUBSEQUENT

ALTERNATOR • OIL PUMP



E13374004

K = CB550
K1 = CB550K1
6 = CB550K76

Ref No	BLOCK NO DESCRIPTION	E-4	C B 5 5 0 K		Q T Y	P A R T N U M B E R	H O N D A C O D E
			K	1			
			E N G I N E		R E O		
			S E R I A L N U M B E R			FROM	TO
39	WASHER, PLAIN, 6MM	K K1	6	6	1	94101-06800	0345900
40	WASHER, PLAIN, 6MM	K K1	6	6	2	94101-06200	0059089
41	WASHER, SPRING, 6MM	K K1	6	6	1	94111-06000	0058974
42	O-RING, 19.4X2.8	K K1	6	6	1	94608-60000	0268284
43	BOLT, FLANGE, 6X55	K K1	6	6	2	95700-06055-00	0483982
	BOLT, FLANGE, 6X55	K K1	6	6	2	95701-06055-00	2533834

CONTENTS

TITLE	PAGE	GRID
AIR CLEANER	78	E3
ALTERNATOR	24	B12
BOLT	46	C12
BRAKE MASTER FR	102	G6
CABLE	50	D1
CRANKSHAFT	10	B5
CARBURETOR	64	C10
CLUTCH	16	B8
CRANKCASE	40	C8
CRANKCASE COVER	16	B8
CRANKSHAFT	10	B5
CYLINDER	2	B1
CYLINDER	132	G6
EXHAUST MUFFLER	50	E9
FENDER FR	62	D7
FRAME	118	F11
FUEL TANK	78	C3
HANDLEBAR	50	D1
HEAD	2	B1
HEADLIGHT	56	D4
KICK STARTER SPINDLE	30	C3
OIL FILTER	40	C8
OIL PUMP	24	B12
SHOCK ABSORBER RR	98	F1
SPEEDOMETER	56	D4
STEERING STEM	62	D7
STEP	90	E9
SWINGARM	98	F1
TACHOMETER	56	D4
TAILLIGHT K	106	F5
TAILLIGHT K1-76	112	F8
TRANSMISSION	30	C3
TURN SIGNAL K	108	F5
TURN SIGNAL K1-76	112	F8
WASHER (CRANKCASE)	48	C12
WHEEL FR	70	D11
WHEEL FR	70	D11
WIRE HARNESS	118	F11

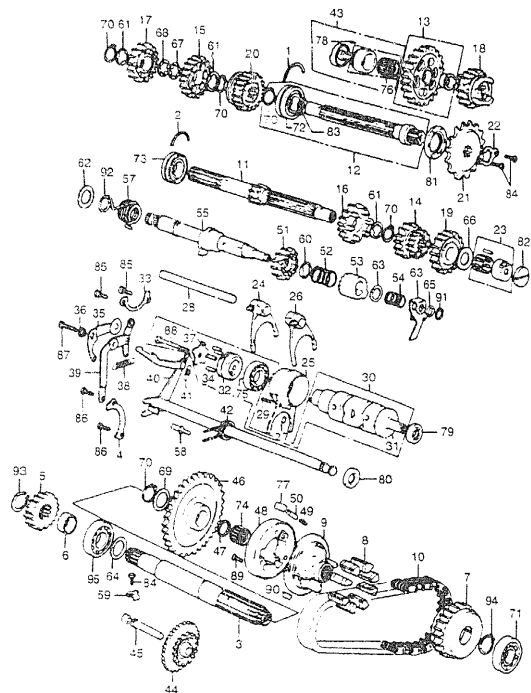
GRID

C2

CB550 ENGINE NO.; CB550E-1000001 TO SUBSEQUENT
CB550 FRAME NO.; CB550K-1000001 TO SUBSEQUENT
CB550K1 ENGINE NO.; CB550E-1029187 TO SUBSEQUENT
CB550K1 FRAME NO.; CB550K-1200001 TO SUBSEQUENT

CB550K176 ENGINE NO.; CB550E-1067334 TO SUBSEQUENT
CB550K176 FRAME NO.; CB550K-1230001 TO SUBSEQUENT

TRANSMISSION • KICK STARTER SPINDLE



E13474005

K = CB550
K1 = CB550K1
6 = CB550K76

Ref. No.	BLOCK NO. DESCRIPTION	E-5	CB550			ENGINE SERIAL NUMBER FROM TO	O T Y R E O	PART NUMBER	HONDA CODE
			K	K1	6				
1	RING, BEARING SETTING, 57MM	K	K1	6	-----	1	13491-283-000	0074567
2	RING, BEARING SETTING, 52MM	K	K1	6	-----	1	13492-283-000	0074575
	SET RING, 520	K	K1	6	-----	1	95015-25200	0294314
3	SHAFT COMP., PRIMARY	K	K1	6	-----	1	23100-323-000	0256277
4	PLATE, BEARING SETTING	K	K1	6	-----	1	23102-323-000	0256735
5	GEAR, PRIMARY DRIVE (24T)	K	K1	6	-----	1	23103-374-000	0362301
6	COLLAR, 22X13.6	K	K1	6	-----	1	23105-323-000	0256750
7	SPROCKET, PRIMARY DRIVEN (28T)	K	K1	6	-----	1	23111-323-010	0256768
8	RUBBER, DAMPER	K	K1	6	-----	8	23114-323-000	0256776
9	HUB, PRIMARY DRIVE SPROCKET	K	K1	6	-----	1	23121-323-010	0256784
10	CHAIN, PRIMARY DRIVE (CHAIN, PRIMARY DRIVE (50L) (TSUBAKIMOTO)	K	K1	6	-----	1	23131-323-003	0362319
11	SHAFT COMP., TRANSMISSION (24T)	K	K1	6	-----	1	23210-374-000	0362327
12	COUNTERSHAFT COMP., TRANSMISSION	K	K1	6	-----	1	23220-374-000	0362335
13	GEAR, COUNTERSHAFT LOW (40T)	K	K1	6	-----	1	23420-374-000	0362343
14	GEAR, MAIN SHAFT SECOND & THIRD (22T & 26T)	K	K1	6	-----	1	23431-374-000	0362350
15	GEAR, COUNTERSHAFT SECOND (36T)	K	K1	6	-----	1	23441-286-020	0172437
16	GEAR, MAINSHAFT FOURTH (28T)	K	K1	6	-----	1	23451-374-000	0362368
17	GEAR, COUNTERSHAFT THIRD (33T)	K	K1	6	-----	1	234A1-390-305	1183896
	GEAR, COUNTERSHAFT THIRD (33T)	K	K1	6	-----	1	234A1-390-315	1201797
	GEAR, COUNTERSHAFT THIRD (33T)	K	K1	6	-----	1	23461-286-030	0172429
	GEAR, COUNTERSHAFT FOURTH (29T)	K	K1	6	-----	1	23471-286-010	0152728
18	GEAR, COUNTERSHAFT FIFTH (33T)	K	K1	6	-----	1	234A1-390-305	1183896
	GEAR, COUNTERSHAFT THIRD (33T)	K	K1	6	-----	1	234A1-390-315	1201797
	GEAR, COUNTERSHAFT FOURTH (29T)	K	K1	6	-----	1	23471-286-010	0152728
19	GEAR, MAINSHAFT TOP (30T)	K	K1	6	-----	1	23481-374-000	0362376
20	GEAR, COUNTERSHAFT TOP (27T)	K	K1	6	-----	1	23491-374-000	0362384
21	SPROCKET, DRIVE (17T)	K	K1	6	-----	1	23801-300-010	0256552
22	PLATE, DRIVE SPROCKET FIXING	K	K1	6	-----	1	23811-292-000	0151241
23	BEARING, NEEDLE 20MM (KOYO)	K	K1	6	-----	1	23931-323-004	0256560

CONTENTS

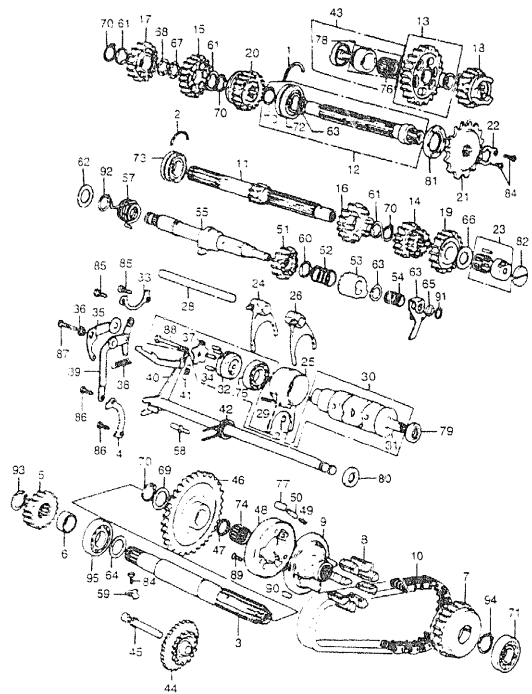
TITLE	PAGE	GRID
AIR CLEANER	78	E3
ALTERNATOR	24	B12
BOLT	46	C12
BRAKE MASTER FR	132	G6
CABLE	50	D1
CAMSHAFT	11	B5
CARBURETOR	44	C10
CLUTCH	16	B6
CRANKCASE	40	B8
CRANKCASE COVER	16	BB
CRANKSHAFT	10	BB
CYLINDER	2	B1
EXHAUST MUFFLER	132	G6
FENDER FR	62	D7
FRAME	118	F1
FUEL TANK	78	E3
HANDLEBAR	50	D1
HEAD	2	B1
HEADLIGHT	56	D4
KICK STARTER SPINDLE	30	C3
KOIL FILTER	40	D9
OIL PUMP	24	E2
SHOCK ABSORBER FR	98	F1
SPEEDOMETER	56	D4
STEERING STEM	62	D7
STEP	90	E9
SWINGARM	96	F1
TACHOMETER	56	D4
TAILLIGHT K	105	F5
TAILLIGHT K1-76	112	F8
TRANSMISSION	30	C3
TURN SIGNAL K	106	F5
TURN SIGNAL K1-76	112	F8
WASHER (CRANKCASE)	48	C12
WHEEL FR	70	D1
WHEEL FR	70	D1
WIRE HARNESS	118	F1

30 AMERICAN HONDA MOTOR CO. LTD. 1984
 CB550 ENGINE NO.; CB550E-1000001 TO SUBSEQUENT
 CB550 FRAME NO.; CB550K-1000001 TO SUBSEQUENT
 CB550K1 ENGINE NO.; CB550E-1029182 TO SUBSEQUENT
 CB550K1 FRAME NO.; CB550K-1200001 TO SUBSEQUENT

CB550K76 ENGINE NO.; CB550E-1067334 TO SUBSEQUENT
 CB550K76 FRAME NO.; CB550K-1230001 TO SUBSEQUENT

AMERICAN HONDA MOTOR CO. LTD. 1984 31

TRANSMISSION • KICK STARTER SPINDLE



E13374005

K = CB550
 K1 = CB550K1
 6 = CB550K76

Ref. No.	BLOCK NO. DESCRIPTION	E-5	CB550 K			ENGINE SERIAL NUMBER FROM TO	QTY REQD	PART NUMBER	HONDA CODE
			K	K1	6				
24	FORK, R. GEARSHIFT		K	K1	6		1	24211-374-000	036239Z
25	FORK, CENTER GEARSHIFT		K	K1	6	1074572	1	24212-374-000	0362400
	FORK, CENTER GEARSHIFT		K	K1	6	1074572	1	24212-374-000	0362400
26	FORK, L. GEARSHIFT		K	K1	6		1	24212-390-000	0402545
27	PIN, GEARSHIFT FORK GUIDE		K	K1	6		3	24212-390-000	0402545
28	SHAFT, GEARSHIFT FORK		K	K1	6		1	24213-374-000	0362418
29	CLIP, GEARSHIFT FORK GUIDE		K	K1	6		1	24261-283-000	0075911
30	DRUM ASSY., GEARSHIFT		K	K1	6		1	24261-374-000	0362426
31	DRUM, GEARSHIFT		K	K1	6		1	24263-286-000	0177196
32	CENT. GEARSHIFT DRUM		K	K1	6		1	24300-374-000	0362434
33	PLATE, BEARING SETTING		K	K1	6		1	24301-374-000	0362442
34	PIN, GEARSHIFT DRUM		K	K1	6		5	24302-374-000	0362459
35	STOPPER COMP., SHIFT DRUM		K	K1	6		1	24303-374-000	0362467
36	COLLAR, GEARSHIFT DRUM STOPPER		K	K1	6		1	24421-230-000	0119461
37	PLATE, DRUM STOPPER CAM		K	K1	6		1	24430-374-000	0119461
38	SPRING, SHIFT DRUM STOPPER		K	K1	6		1	24433-323-010	0292201
39	STOPPER COMP., SHIFT DRUM NEUTRAL		K	K1	6		1	24434-286-020	0152819
40	SPINDLE COMP., GEARSHIFT		K	K1	6		1	24435-286-020	0263962
41	SPRING, GEARSHIFT ARM		K	K1	6		1	24440-374-000	0362483
42	SPRING, GEARSHIFT RETURN		K	K1	6		1	24460-374-000	0362491
43	BEARING COMP., OIL PUMP (YAMADA)		K	K1	6		1	25100-374-003	0362509
44	GEAR, STARTER REDUCTION		K	K1	6		1	28101-323-000	0256610
45	SHAFT, STARTER REDUCTION GEAR		K	K1	6		1	28106-323-000	0256628
46	GEAR, STARTING CLUTCH		K	K1	6		1	28111-363-000	0362517
47	SPACER, 25MM		K	K1	6		1	28112-323-000	0254805
48	OUTER, STARTING CLUTCH		K	K1	6		1	28120-323-000	0256792
49	SPRING, STARTER CLUTCH ROLLER		K	K1	6		3	28125-323-000	0254813
50	CAP, STARTING CLUTCH ROLLER SPRING		K	K1	6		3	28126-323-000	0254821
51	PINION, KICK STARTER		K	K1	4		1	28211-323-000	0254839
52	SPRING, STARTER PINION SETTING		K	K1	6		1	28215-216-000	0026385

CONTENTS

TITLE	PAGE GRID
AIR CLEANER	78 E3
ALTERNATOR	24 B12
BOLT	28 D12
BRAKE MASTER FR	132 G6
CABLE	50 D1
CRANKSHAFT	10 B5
CRANKCASE COVER	132 G6
CRANKSHAFT	10 B5
CYLINDER	2 B1
CYLINDER	132 G6
EXHAUST MUFFLER	99 E9
FENDER FR	62 D7
FRAME	118 F11
FUEL TANK	78 E3
HAND REAR	60 D1
HEAD	2 B1
HEADLIGHT	56 D4
KICK STARTER SPINDLE	30 C3
OIL FILTER	40 C6
OIL PUMP	24 B12
SHOCK ABSORBER RR	98 F1
SPEEDOMETER	58 D4
STEERING STEM STEP	62 D7
SWINGARM	90 E9
TACHOMETER	98 F1
TAILLIGHT K	58 D4
TAILLIGHT K1-76	106 F5
TRANSMISSION	112 F8
TURN SIGNAL K	30 C3
TURN SIGNAL K1-76	106 F5
WASHER (CRANKCASE)	112 F8
WHEEL FR	43 C12
WHEEL RR	70 D11
WIRE HARNESS	118 F11

CB550 ENGINE NO.; CB550F-1000001 TO SUBSEQUENT
 CB550 FRAME NO.; CB550K-1000001 TO SUBSEQUENT
 CB550K1 ENGINE NO.; CB550E-1029182 TO SUBSEQUENT
 CB550K1 FRAME NO.; CB550K-1200001 TO SUBSEQUENT

CB550K76 ENGINE NO.; CB550E-1067334 TO SUBSEQUENT
 CB550K76 FRAME NO.; CB550K-1230001 TO SUBSEQUENT

TRANSMISSION • KICK STARTER SPINDLE

K = CB350
 K1 = CB350K1
 6 = CB550K76

Ref. No.	BLOCK NO. DESCRIPTION	E-5	CB550			ENGINE SERIAL NUMBER FROM TO	QTY	P R E O PART NUMBER	HONDA CODE
			K	K1	6				
53	RATCHET, KICK STARTER	---	K	K1	---	1081161	1	28221-310-010 28221-310-010	0254847 0254847
	RATCHET, KICK STARTER	---	K	K1	6	1081161	1	28221-310-020 28221-310-020	047631 047631
54	SPRING, KICK STARTER RATCHET	---	K	K1	6	---	1	28223-216-000	0026393
55	SPINDLE, KICK STARTER	---	K	K1	6	---	1	28251-323-000	0254854
56	PLATE, RATCHET GUIDE	---	K	K1	6	---	1	28258-310-010	0252692
57	SPRING, KICK STARTER	---	K	K1	6	---	1	28261-323-000	0254862
58	PIN, RETURN SPRING	---	K	K1	6	---	1	70015-286-000	0153106
59	WASHER SPRING, 6MM	---	K	K1	6	---	1	90133-283-000	0076323
60	WASHER, THRUST, 20MM	---	K	K1	6	---	1	90451-216-000	0026807
61	WASHER A, 14RUST, 25MM	---	K	K1	6	---	3	90451-286-000	0172411
62	WASHER, 18MM (KDYO)	---	K	K1	6	---	1	90453-286-003	0153197
63	WASHER, 15MM	---	K	K1	6	---	1	90454-200-000	0026856
64	WASHER, THRUST, 22MM	---	K	K1	6	---	1	90456-323-000	0255232
65	WASHER, THRUST	---	K	K1	6	---	1	90457-500-000	0112722
66	WASHER, THRUST, 20MM	---	K	K1	6	---	1	90458-292-000	0143396
67	WASHER B, THRUST, 25MM	---	K	K1	6	---	1	90461-286-000	0172460
68	WASHER, LOCK, 25MM	---	K	K1	6	---	1	90462-323-000	0255257
69	WASHER, THRUST, 25MM	---	K	K1	6	---	1	90555-700-000	0255273
70	CIRCLIP, EXTERNAL, 25MM	---	K	K1	6	---	5	90602-259-010	0080101
71	BEARING, RADIAL BALL, 63/22	---	K	K1	6	---	1	91001-MN8-911	3618394
	BEARING, RADIAL BALL, 6322 (TOYO)	---	K	K1	6	---	1	91001-116-008	0309088
	BEARING, RADIAL BALL, 6322 (NTN)	---	K	K1	6	---	1	91001-436-003	0748905
	BEARING, RADIAL BALL, 6305	---	K	K1	6	---	1	91002-KY4-901	4186003
72	BEARING, SPECIAL BALL, 5205	---	K	K1	6	---	1	91002-283-000	0647362
	BEARING, SPECIAL BALL, 5205 (FUJIKOSHI)	---	K	K1	6	---	1	91002-283-003	0151712
73	BEARING, BALL, 5205HS (TOYO)	---	K	K1	6	---	1	91002-286-006	0156422
74	BEARING, NEEDLE, 25X29X17	---	K	K1	6	---	1	91007-323-000	0255299
75	BEARING, BALL, 16005 (NTN)	---	K	K1	6	---	1	91008-374-003	0362855
76	BEARING, NEEDLE, 20MM (TOYO)	---	K	K1	6	---	1	91022-374-003	0362863
77	ROLLER, 10.2X11.5	---	K	K1	6	---	3	91101-377-000	0386979

KICK STARTER SPINDLE		QTY	P R E O	PART NUMBER	HONDA CODE
Ref. No.	DESCRIPTION				
53	RATCHET, KICK STARTER	1	---	28221-310-010	0254847
	RATCHET, KICK STARTER	1	---	28221-310-010	0254847
	RATCHET, KICK STARTER	1	---	28221-310-020	047631
	RATCHET, KICK STARTER	1	---	28221-310-020	047631
54	SPRING, KICK STARTER RATCHET	1	---	28223-216-000	0026393
55	SPINDLE, KICK STARTER	1	---	28251-323-000	0254854
56	PLATE, RATCHET GUIDE	1	---	28258-310-010	0252692
57	SPRING, KICK STARTER	1	---	28261-323-000	0254862
58	PIN, RETURN SPRING	1	---	70015-286-000	0153106
59	WASHER SPRING, 6MM	1	---	90133-283-000	0076323
60	WASHER, THRUST, 20MM	1	---	90451-216-000	0026807
61	WASHER A, 14RUST, 25MM	3	---	90451-286-000	0172411
62	WASHER, 18MM (KDYO)	1	---	90453-286-003	0153197
63	WASHER, 15MM	1	---	90454-200-000	0026856
64	WASHER, THRUST, 22MM	1	---	90456-323-000	0255232
65	WASHER, THRUST	1	---	90457-500-000	0112722
66	WASHER, THRUST, 20MM	1	---	90458-292-000	0143396
67	WASHER B, THRUST, 25MM	1	---	90461-286-000	0172460
68	WASHER, LOCK, 25MM	1	---	90462-323-000	0255257
69	WASHER, THRUST, 25MM	1	---	90555-700-000	0255273
70	CIRCLIP, EXTERNAL, 25MM	5	---	90602-259-010	0080101
71	BEARING, RADIAL BALL, 63/22	1	---	91001-MN8-911	3618394
	BEARING, RADIAL BALL, 6322 (TOYO)	1	---	91001-116-008	0309088
	BEARING, RADIAL BALL, 6322 (NTN)	1	---	91001-436-003	0748905
	BEARING, RADIAL BALL, 6305	1	---	91002-KY4-901	4186003
72	BEARING, SPECIAL BALL, 5205	1	---	91002-283-000	0647362
	BEARING, SPECIAL BALL, 5205 (FUJIKOSHI)	1	---	91002-283-003	0151712
73	BEARING, BALL, 5205HS (TOYO)	1	---	91002-286-006	0156422
74	BEARING, NEEDLE, 25X29X17	1	---	91007-323-000	0255299
75	BEARING, BALL, 16005 (NTN)	1	---	91008-374-003	0362855
76	BEARING, NEEDLE, 20MM (TOYO)	1	---	91022-374-003	0362863
77	ROLLER, 10.2X11.5	3	---	91101-377-000	0386979

CONTENTS

TITLE	PAGE GRID
AIR CLEANER	78 E3
ALTERATOR	24 B12
BOLT	48 C12
BRAKE MASTER FR	132 C6
CABLE	50 D1
CAMSHAFT	10 B5
CARBURETOR	44 C10
CLUTCH	16 B8
CRANKCASE	40 C8
CRANKCASE COVER	18 B8
CRANKSHAFT	10 B5
CYLINDER	2 B1
CYLINDER FR	132 C6
EXHAUST MUFFLER	90 E9
FENDER FR	62 D7
FRAME	118 F11
FUEL TANK	78 E3
HANDLEBAR	50 D1
HEAD	2 B1
HEADLIGHT	56 D4
KICK STARTER SPINDLE	30 C3
SHOCK ABSORBER FR	98 F1
SPEEDOMETER	55 D4
OIL PUMP	24 B12
OIL FILTER	40 C8
STEERING STEM	62 D7
STEP	90 E9
STRINGSARM	98 F1
TACHOMETER	55 D4
TAILLIGHT K	106 F5
TAILLIGHT K1-76	112 F8
TRANSMISSION	30 C3
TURN SIGNAL K	106 F5
TURN SIGNAL K1-76	112 F8
WASHER (CRANKCASE)	48 C12
WHEEL FR	70 D11
WHEEL RR	70 D11
WIRE HARNESS	118 F11

E13374005

AMERICAN MOTOR CO. LTD. 1964

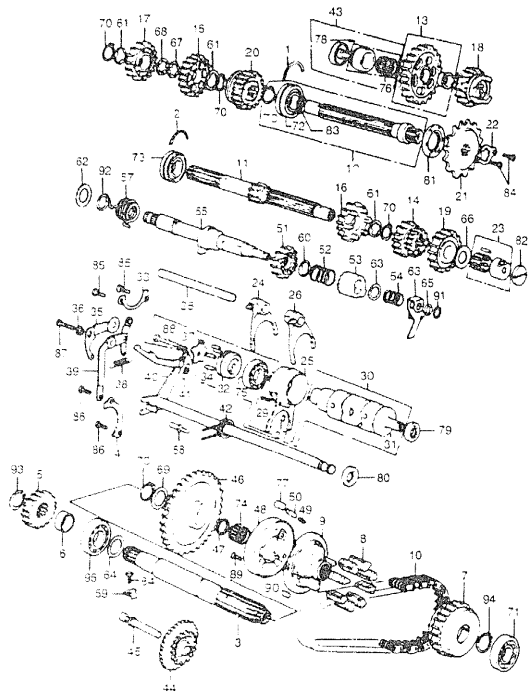
CB550 ENGINE NO.; CB550E-1000001 TO SUBSEQUENT
 CB550 FRAME NO.; CB550E-1000001 TO SUBSEQUENT
 CB550K1 ENGINE NO.; CB550E-1029182 TO SUBSEQUENT
 CB550K1 FRAME NO.; CB550E-1200001 TO SUBSEQUENT

CB550K76 ENGINE NO.; CB550E-1027334 TO SUBSEQUENT
 CB550K76 FRAME NO.; CB550E-1230001 TO SUBSEQUENT

AMERICAN MOTOR CO. LTD. 1964

GRID **C5**

TRANSMISSION • KICK STARTER SPINDLE



E13374009

K = CB550
K1 = CB550K1
6 = CB550K76

Prt. No.	BLOCK NO. DESCRIPTION	E-S	CB550		ENGINE SERIAL NUMBER FROM TO	QTY	PART NUMBER	HONDA CODE
			K	6				
77	ROLLER, 10.2X11.5		K	K1	6	3	91103-259-000	0040378
78	PIN, OIL PUMP KNOCK (YAMADA)		K	K1	6	1	91103-374-003	0362889
79	OIL SEAL, 12X25X4.5		K	K1	6	1	91201-283-005	0379852
	OIL SEAL, 12X25X4.5		K	K1	6	1	91201-292-003	0143412
	OIL SEAL, 12X25X4.5		K	K1	6	1	91202-426-003	1113331
80	OIL SEAL, 14X24X5		K	K1	6	1	91202-216-000	0027060
	OIL SEAL, 14X24X5		K	K1	6	1	91202-216-003	0939710
	OIL SEAL, 14X24X5		K	K1	6	1	91202-302-000	0196709
	OIL SEAL, 14X24X5		K	K1	6	1	91202-302-010	2255867
	OIL SEAL, 13.8X24X5		K	K1	6	1	91205-HB2-771	2422095
	OIL SEAL, 13.8X24X5		K	K1	6	1	91205-HB2-772	4222030
	OIL SEAL, 14X24X5		K	K1	6	1	91205-035-303	0083618
81	OIL SEAL, 33X57X7		K	K1	6	1	91205-283-010	0076463
	OIL SEAL, 33X57X7		K	K1	6	1	91205-283-015	0661512
82	OIL SEAL, 34X8		K	K1	6	1	91207-374-000	0362897
83	O-RING, 24.5MM		K	K1	6	1	91306-703-000	0151720
84	BOLT, HEX., 6X12		K	K1	6	3	92000-06012	0054197
	BOLT, HEX., 6X12		K	K1	6	3	92101-06012	2738821
	BOLT, HEX., 6X12		K	K1	6	3	92101-06012-0A	3591500
85	BOLT, HEX., 6X14		K	K1	6	2	92000-06014	0054213
	BOLT, HEX., 6X14		K	K1	6	2	92101-06014-0A	2552198
86	BOLT, HEX., 6X16		K	K1	6	2	92000-06016	0054239
	BOLT, HEX., 6X16		K	K1	6	2	92000-06016-0A	0313197
	BOLT, HEX., 6X16		K	K1	6	2	92000-06016-1A	0915124
	BOLT, HEX., 6X16		K	K1	6	2	92100-06016-0A	1685726
	BOLT, HEX., 6X16		K	K1	6	2	92101-06016-0A	2479590
	BOLT, HEX., 6X16		K	K1	6	2	92200-06016-0A	1842400
87	BOLT, HEX., 6X20		K	K1	6	1	92020-06020	0241117
88	BOLT, HEX., 6X32		K	K1	6	1	92200-06032	0362905
89	SCREW, FLAT, 6X18		K	K1	6	3	93600-06018	0055806
90	PIN C, DOWEL, 8X14		K	K1	6	1	94303-08140	0256800
91	CIRCLIP, EXTERNAL, 12MM		K	K1	6	1	94510-12000	0112847

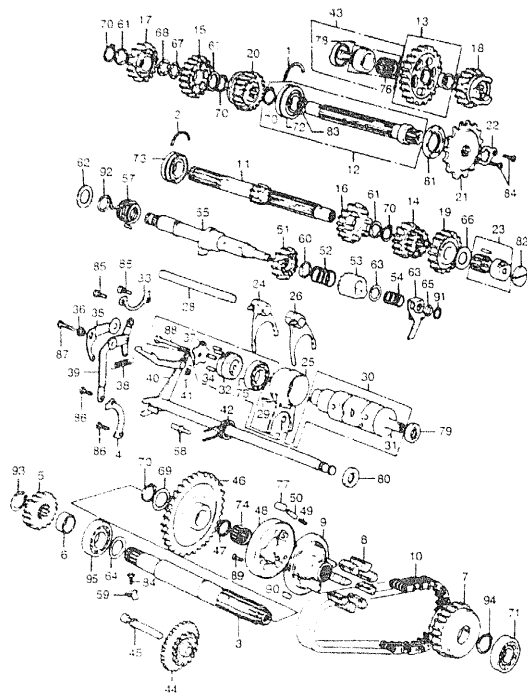
CONTENTS

TITLE	PAGE GRID
AIR CLEANER	76 E2
ALTERNATOR	24 B2
BOLT	48 C12
BRAKE MASTER FR	132 G6
CABLE	50 D1
CAMSHAFT	19 D5
CARBURETOR	44 C10
CLUTCH	16 B8
CRANKCASE	40 C8
CRANKCASE COVER	16 B8
CRANKSHAFT	10 B5
CYLINDER	2 B1
CYLINDER	132 G6
EXHAUST MUFFLER	90 E9
FENDER FR	62 D7
FRAME	118 F11
FUEL TANK	75 E9
HANDLEBAR	50 D1
HEAD	2 B1
HEADLIGHT	56 D4
KICK STARTER SPINDLE	10 C3
OIL FILTER	40 C8
OIL PUMP	24 B12
SHOCK ABSORBER RR	98 F1
SPEEDOMETER	56 D4
STEERING STEM	62 D7
STFP	90 E9
SWINGARM	98 F1
TACHOMETER	56 D4
TAILLIGHT R	106 F5
TAILLIGHT K1-76	112 F8
TRANSMISSION	30 C3
TURN SIGNAL R	106 F5
TURN SIGNAL K1-76	112 F8
W/ THER (CRANKCASE)	40 C12
WHEEL FR	70 D11
WHEEL RR	70 D11
WIRE HARNESS	116 F11

CB550 ENGINE NO.; CB550E-1000001 TO SUBSEQUENT
 CB550 FRAME NO.; CB550K-1000001 TO SUBSEQUENT
 CB550K1 ENGINE NO.; CB550E-1029182 TO SUBSEQUENT
 CB550K1 FRAME NO.; CB550K-1200001 TO SUBSEQUENT

CB550K76 ENGINE NO.; CB550E-1067334 TO SUBSEQUENT
 CB550K76 FRAME NO.; CB550K-1230001 TO SUBSEQUENT

TRANSMISSION • KICK STARTER SPINDLE



E 131400P

K - CB550
 K1 - CB550K1
 6 - CB550K76

CB550
 K1
 6

Ref No	BLOCK NO DESCRIPTION	E-5	K K1	7 6	ENGINE SERIAL NUMBER FROM TO	Q T Y	P A R T N U M B E R	H O N D A C O D E
92	CIRCLIP, EXTERNAL, 18MM		K	K1	6	1	94510-18000	0053611
93	CIRCLIP, EXTERNAL, 20MM		K	K1	6	1	94510-20000	0053629
94	CIRCLIP, EXTERNAL, 30MM		K	K1	6	1	94510-30000	0171900
95	BEARING, RADIAL BALL, 6205		K	K1	6	1	96100-62050	0296897
	BEARING, RADIAL BALL, 6205		K	K1	6	1	96100-62050-00	0636977
	BEARING, RADIAL BALL, 6205		K	K1	6	1	96100-62050-10	0368076

CONTENTS

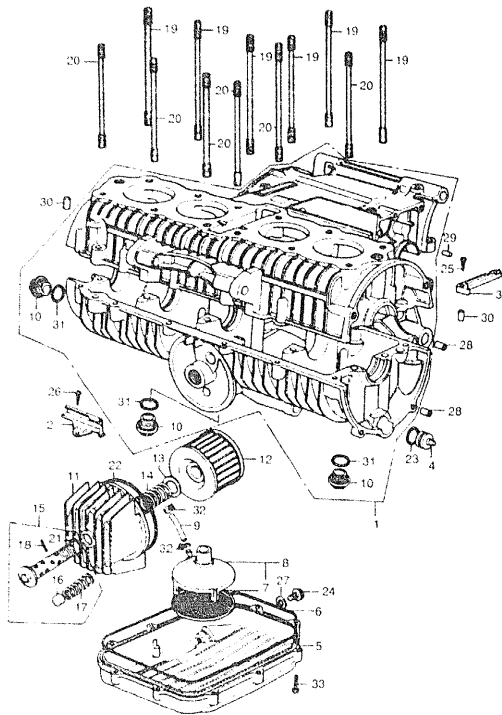
TITLE	PAGE	GRID
APR CLEANER	76	E-3
ASSEMBLY	24	D-2
BELT	28	C-2
BRAKE MASTER FH	132	G-1
CABLE	50	D-1
CRANKSHAFT	10	D-5
CRANKSHAFT TOR	24	C-10
CLUTCH	14	B-6
CHARGECASE	40	B-3
CHARGECASE COVER	16	B-10
CHARGESHAFT	10	D-5
CYLINDER F1	2	B-1
CYLINDER F2	132	G-6
EXHAUST MANIFOLD	96	F-9
FENDER FH	12	D-2
FRAME	116	F-11
FUEL TANK	76	E-3
HANGERBAR	50	D-1
HEAD	2	B-1
HEADLIGHT	56	B-4
KICK STARTER SPINDLE	40	C-3
Oil Filter	40	C-6
Oil Pump	24	B-12
SHOCK ABSORBER FH	98	F-7
SPEEDOMETER	56	B-4
STEERING STEM	42	D-7
STEP	90	E-9
SWINGARM	96	F-7
TACHOMETER	56	B-4
TABLIGHT K	106	F-5
TABLIGHT K1-76	112	F-8
TRANSMISSION	30	C-4
TURN SIGNAL K	106	F-5
TURN SIGNAL K1-76	112	F-8
WASHER (CHARGECASE)	48	C-12
WHEEL FFR	70	D-11
WHEEL FR	70	D-11
WIRE HARNESS	118	F-11

CB550 ENGINE NO.; CB550E-1000001 TO SUBSEQUENT
 CB550 FRAME NO.; CB550K-1000001 TO SUBSEQUENT
 CB550K1 ENGINE NO.; CB550E-1029182 TO SUBSEQUENT
 CB550K1 FRAME NO.; CB550K-1200001 TO SUBSEQUENT

CB550K76 ENGINE NO.; CB550E-1067334 TO SUBSEQUENT
 CB550K76 FRAME NO.; CB550K-1230001 TO SUBSEQUENT

AMERICAN MOTORCYCLE CO. INC. 1982

CRANKCASE • OIL FILTER



F 15374008

Part No	BLOCK NO DESCRIPTION	E/G	K		QTY	REQ	PART NUMBER	HONDA CODE
			K1	K3				
			ENGINE SERIAL NUMBER					
			FROM	TO				
1	CRANKCASE SET		K	K1 6	1	11000-374-000	0361949	
2	GUIDE A, OIL		K	K1 6	1	11202-323-000	0255885	
3	GUIDE B, OIL		K	K1 6	1	11203-323-010	0292169	
4	PLUG, OIL PATH		K	K1 6	1	11207-323-000	0255901	
5	PAN, OIL		K	K1 6	1	11210-323-000	0255919	
6	GASKET, OIL PAN		K	K1 6	1	11398-426-000	1113711	
7	SCREEN, OIL STRAINER		K	K1 6	1	15150-300-000	0190355	
8	STRAINER, OIL		K	K1 6	1	15150-374-000	0362046	
9	PIPE, TRANSMISSION OIL		K	K1 6	1	15154-374-000	0362053	
10	CAP B, OIL PATH		K	K1 6	3	15332-300-000	0381210	
11	CASE, OIL FILTER		K	K1 6	1	15411-300-010	0203950	
12	ELEMENT, OIL FILTER (TOKYO ROKI)		K	K1 6	1	15410-422-000	0690479	
	ELEMENT, OIL FILTER		K	K1 6	1	15410-426-000	0740597	
	ELEMENT, OIL FILTER		K	K1 6	1	15410-426-010	1113737	
	ELEMENT, OIL ELEMENT		K	K1 6	1	15412-300-024	1190124	
	ELEMENT, OIL ELEMENT		K	K1 6	1	15412-300-325	0314567	
13	SEAT, OIL FILTER SPRING		K	K1 6	1	15414-300-000	0190132	
14	SPRING, OIL FILTER ELEMENT SETTING		K	K1 6	1	15415-300-000	0190140	
15	BOLT, OIL FILTER CENTER		K	K1 6	1	15420-300-020	0203968	
16	VALVE, CHECK		K	K1 6	1	15473-300-300	0190165	
17	SPRING, CHECK VALVE		K	K1 6	1	15474-300-310	0190173	
18	PIN, SPRING SETTING		K	K1 6	1	15477-300-300	0190181	
19	BOLT A, CYLINDER STUD		K	K1 6	6	90033-323-000	0255174	
20	BOLT B, CYLINDER STUD		K	K1 6	6	90034-323-000	0255182	
21	O-RING, 15X2.5		K	K1 6	1	91302-028-000	0295592	
22	O-RING, 89X4.5		K	K1 6	1	91316-500-005	1065242	
23	O-RING, 13X2.5		K	K1 6	1	91319-300-000	0112474	
24	BOLT, DRAIN PLUG, 12MM		K	K1 6	1	92800-12000	0053975	
25	SCREW, TAPPING, 5X16		K	K1 6	1	93901-25310	0253757	
26	SCREW, TAPPING, 6X12		K	K1 6	1	93901-26110	0253765	
27	WASHER, DRAIN PLUG, 12MM		K	K1 6	1	94109-12000	0171868	
28	PIN A, DOWEL, 8X14		K	K1 6	2	94301-08140	0069310	

AMERICAN HONDA MOTOR CO., LTD. 1983

CONTENTS

TITLE	PAGE	GRID
AIR CLEANER	28	E1
ALTERNATOR	24	F10
BECK F	28	F12
BEARING MASTER FTH	132	G6
CABLE	50	D7
CAMSHAFT	59	E5
CAMSHAFT TORQ	44	F10
CELLUCH	77	F8
CRANKCASE	40	F3
CRANKCASE COVER	16	B8
CRANKSHAFT	16	B5
CYLINDER	2	A4
CYLINDER	150	G4
EXHAUST MANIFOLD	90	E9
FENDER FR	62	F17
FRAME	138	F13
FUEL TANK	76	E4
HANDLEBAR	50	F1
HEAD	2	A4
HUB LIGHT	56	D4
NICK SHAFTER SPINDLE	40	C4
OIL FEED	40	C8
OIL PUMP	24	F12
SHOCK ABSORBER FR	98	F1
SPEEDOMETER	56	D4
STEERING STEM	62	F17
SWEEP	98	F9
SWINGARM	98	F1
TACHOMETER	56	D4
TAIL LIGHT R	106	F5
TAILLIGHT RC-76	132	F8
TRANSMISSION	40	C4
TURBO SIGNAL R	106	F5
TURBO SIGNAL RC-76	132	F8
WASHER (CRANKCASE)	28	G12
WHEEL FR	70	E11
WHEEL FR	70	E11
WIRE HARNESS	118	F11

GRID

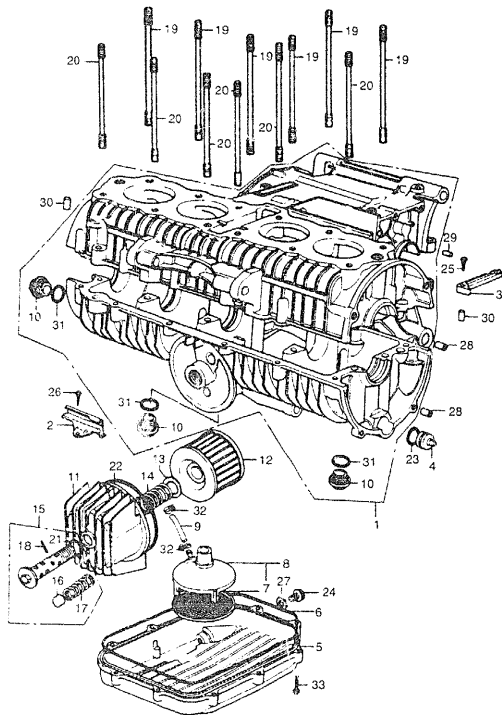
C8

AMERICAN HONDA MOTOR CO., LTD. 1983

CB550 ENGINE NO.: CB550E-1000001 TO SUBSEQUENT
 CB550 FRAME NO.: CB550E-1000001 TO SUBSEQUENT
 CB550X1 ENGINE NO.: CB550E-1029182 TO SUBSEQUENT
 CB550X1 FRAME NO.: CB550X-1200001 TO SUBSEQUENT

CB550X176 ENGINE NO.: CB550E-1067334 TO SUBSEQUENT
 CB550X176 FRAME NO.: CB550X-1230001 TO SUBSEQUENT

CRANKCASE • OIL FILTER



E13374066

Ref. No.	BLOCK NO. DESCRIPTION	E-6	CB550K		ENGINE SERIAL NUMBER FROM TO	QTY	PART NUMBER	HONDA CODE
			K	K1				
			K	K1				
29	9IN B, DOWEL, 6X10		K	K1	6	2	94302-06100	0145471
30	PIN B, DOWEL, 10X16		K	K1	6	2	94302-10160	0253781
31	O-RING, 19.4X2.8		K	K1	6	3	94608-40000	0268284
32	CLIP, TUBE, C11		K	K1	6	2	95002-70000	0053595
33	BOLT, FLANGE, 6X32		K	K1	6	10	95700-06032-00	0484477
	BOLT, FLANGE, 6X32		K	K1	6	10	95701-06032-00	2105856

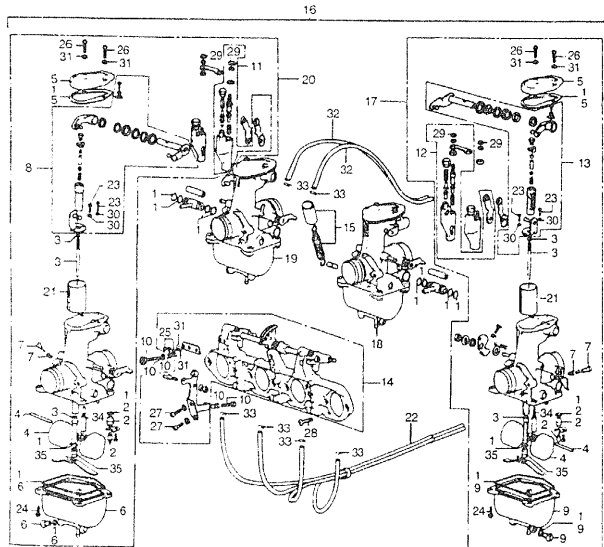
CONTENTS

TITLE	PAGE	GRID
AIR CLEANER	78	E3
ALTERNATOR	24	B12
BOLT	48	C12
BRAKE MASTER FR	132	G6
CABLE	50	D1
CAMSHAFT	10	B5
CARBURETOR	44	C10
CLUTCH	16	B8
CRANKCASE	40	C8
CRANKCASE COVER	16	B8
CRANKSHAFT	10	B5
CYLINDER	2	E1
CYLINDER	132	G6
EXHAUST MUFFLER	90	E9
FENDER FR	62	D7
FRAME	118	F1
FUEL TANK	78	E3
HANDLEBAR	50	D1
HEAD	2	B1
HEADLIGHT	56	D4
KICK STARTER SPINDLE	30	C3
OIL FILTER	40	C8
OIL PUMP	24	B12
SHOCK ABSORBER FR	98	F1
SPEEDOMETER	56	D4
STEERING STEM	62	D7
STEP	90	E9
SWINGARM	68	F1
TACHOMETER	56	D4
TAILLIGHT K	106	F5
TAILLIGHT K1-76	112	F8
TRANSMISSION	90	C3
TURN SIGNAL K	106	F5
TURN SIGNAL K1-76	112	F8
WASHER (CRANKCASE)	48	C12
WHEEL FR	70	D11
WHEEL RR	70	D11
WIRE HARNESS	118	F11

GRID

C9

CARBURETOR



F11374007

K = CB550
K1 = CB550K1
6 = CB550K76

Ref. No.	BLOCK NO. DESCRIPTION	E-7	C O L U M N		ENGINE SERIAL NUMBER FROM TO	O T Y	R E O	PART NUMBER	HONDA CODE
			K	6					
1	GASKET SET		K	K1	6		4	16010-323-004	0309492
	GASKET SET		K	K1	6		4	16010-323-305	4344495
2	VALVE SET, FLOAT		K	K1	6		4	16011-329-004	0292938
3	NEEDLE SET, JET		K	K1	6		4	16012-323-004	0310029
4	FLOAT SET		K	K1	6		4	16013-329-004	0277947
5	TOP SET		K	K1	6		4	16014-323-004	0310409
6	CHAMBER SET A, FLOAT		K	K1	6		2	16015-323-004	0310649
7	SCREW SET A		K	K1	6		1	16016-323-004	0310896
	SCREW SET A		K		6		4	16016-390-004	0414011
8	ARM SET A, LINK		K	K1	6		2	16018-323-004	0310938
9	CHAMBER SET B, FLOAT		K	K1	6		2	16023-323-004	0311266
10	SCREW SET B, LINK		K	K1	6		1	16028-323-004	0311472
11	HOLDER SET A, ADJ.		K	K1	6		1	16029-323-004	0300301
12	HOLDER SET B, ADJ.		K	K1	6		1	16030-323-004	0300319
13	ARM SET B, LINK		K	K1	6		2	16031-323-004	0311480
14	PLATE SET, STAY		K	K1	6		1	16035-323-004	0311571
	PLATE SET, STAY		K		6		1	16035-390-004	0414029
15	TUBE SET, PROTECT		K	K1	6		1	16036-323-004	0300343
16	CARBURETOR ASSY.		K		6		1	16100-374-004	0362087
	CARBURETOR ASSY.		K	K1	6		1	16100-374-014	0387597
	CARBURETOR ASSY.		K		6		1	16100-374-024	0434852
17	CARBURETOR ASSY., A		K	K1	6		1	16101-374-004	0390773
18	CARBURETOR ASSY., B		K	K1	6		1	16102-374-004	0390781
19	CARBURETOR ASSY., C		K	K1	6		1	16103-374-004	0390799
20	CARBURETOR ASSY., D		K	K1	6		1	16104-374-004	0390807
21	VALVE, THROTTLE		K	K1	6		4	16111-323-004	0257642
22	TUBE ASSY., OVER FLOW		K	K1	6		1	16290-323-000	0255315
	TUBE ASSY., OVER FLOW		K	K1	6		1	16290-323-010	0487959
23	SCREW, PAN, 3X10		K	K1	6		8	93500-03010-0A	0172288
24	SCREW, PAN, 4X12		K	K1	6		16	93500-04012-0A	0169466
25	SCREW, PAN, 5X12		K	K1	6		2	93500-05012-0A	0173567
26	SCREW, PAN, 5X16		K	K1	6		8	93500-05016-0A	0145557

CONTENTS

TITLE	PAGE GRID
AIR CLEANER	78 E3
ALTERATOR	24 B12
BOLT	48 C12
BRAKE MASTER FR	132 G6
CABLE	50 D1
CAMSHAFT	10 B5
CARBURETOR	44 C10
CLUTCH	16 B8
CRANKCASE	40 C8
CRANKCASE COVER	16 B8
CRANKSHAFT	10 B5
CYLINDER	2 B1
CYLINDER	132 G6
EXHAUST MUFFLER	90 E9
FENDER FR	62 D7
FRAME	118 F11
FUEL TANK	78 E3
HANDLEBAR	50 D1
HEAD	2 B1
HEADLIGHT	56 D4
KICK STARTER SPINDLE	30 C3
OIL FILTER	40 C8
OIL PUMP	24 B12
SHOCK ABSORBER FR	98 F1
SPEEDOMETER	50 D4
STEERING STEM	62 D7
STEP	90 E9
SWINGARM	98 F1
TACHOMETER	56 D4
TAILLIGHT K	106 F5
TAILLIGHT K1-76	112 F8
TRANSMISSION	30 C3
TURN SIGNAL K	106 F5
TURN SIGNAL K1-76	112 F8
WHEEL FR (CRANKCASE)	48 C12
WHEEL FR	70 D11
WHEEL RR	70 D11
WIRE HARNESS	118 F11

AMERICAN HONDA MOTOR CO. LTD. 1994

C10

AMERICAN HONDA MOTOR CO. LTD. 1994

45

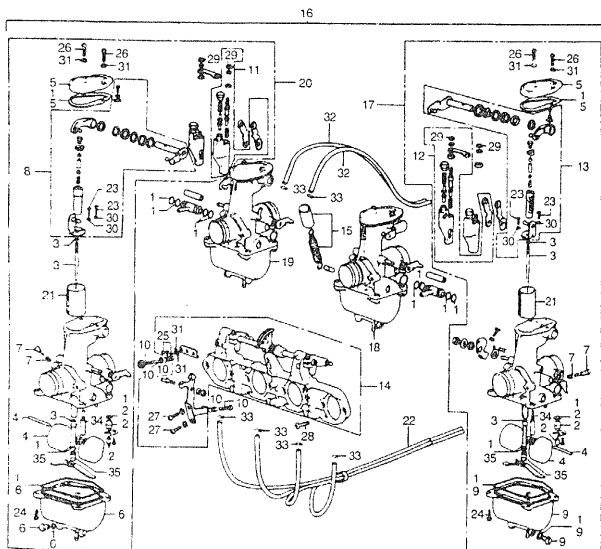
CB550 ENGINE NO.; CB550E-1000001 TO SUBSEQUENT
CB550 FRAME NO.; CB550K-1000001 TO SUBSEQUENT
CB550K1 ENGINE NO.; CB550E-1029182 TO SUBSEQUENT
CB550K1 FRAME NO.; CB550E-1200001 TO SUBSEQUENT

CB550K76 ENGINE NO.; CB550E-1067334 TO SUBSEQUENT
CB550K76 FRAME NO.; CB550K-1230001 TO SUBSEQUENT

GRID

C10

CARBURETOR



E13074067

K = CB550
K1 = CB550K1
6 = CB550K76

Ref No	BLOCK NO. DESCRIPTION	E-7	CB550		ENGINE SERIAL NUMBER	QTY	PART NUMBER	HONDA CODE
			K	6				
27	SCREW, PAN, 6X12		K	K1	6	2	93500-06012	0057422
	SCREW, PAN, 6X12		K	K1	6	2	93500-06012-0A	0182360
	SCREW, PAN, 6X12		K	K1	6	2	93500-06012-00	2711489
28	SCREW, FLAT, 6X16		K	K1	6	8	93600-06016	0055798
	SCREW, FLAT, 6X16		K	K1	6	8	93600-06016-0A	0805358
29	NUT, HEX., 5MM		K	K1	6	4	94001-05000-0S	0156885
30	WASHER, SPRING, 3MM		K	K1	6	8	94111-03000	0058941
31	WASHER, SPRING, 5MM		K	K1	6	10	94111-05000	0058966
32	TUBE, 3,5X330 (BULK HOSE: 95001-35003-40M)		K	K1	6	2	95001-35330-40	0292433
33	CLIP, TUBE, B7		K	K1	6	6	95002-02070	0250639
34	JET, SLOW (=B8)		K	K1	6	4	99124-076-0380	0179770
35	JET, SECONDARY MAIN (=100)		K	K1	6	4	99202-601-1000	0312264

CONTENTS

TITLE	PAGE	GRID
AIR CLEANER	78	E3
ALTERNATOR	24	B12
BOLT	48	C12
BRAKE MASTER FR	132	G6
CABLE	50	D1
CAMSHAFT	10	E5
CARBURETOR	44	C10
CLITCH	16	E6
CRANKCASE	40	C8
CRANKCASE COVER	16	B8
CRANKSHAFT	10	B6
CYLINDER	2	B1
CYLINDER	132	G6
EXHAUST MUFFLER	90	F9
FENDER FR	62	D7
FRAME	118	F11
FUEL TANK	78	E3
HANDLEBAR	50	D1
HEAD	2	B1
HEADLIGHT	56	D4
KICK STARTER SPINDLE	30	C3
OIL FILTER	40	C8
OIL PUMP	24	B12
SHOCK ABSORBER FR	98	F1
SPEEDOMETER	56	D4
STEERING STEM	62	D7
STEP	90	F9
SWINGARM	88	F1
TACHOMETEP	56	D4
TAILLIGHT K	106	F5
TAILLIGHT K1-76	112	F8
TRANSMISSION	30	C3
TURN SIGNAL K	106	F5
TURN SIGNAL K1-76	112	F8
WASHER (CRANKCASE)	48	C12
WHEEL FR	70	D11
WHEEL RR	70	D11
WIRE HARNESS	118	F11

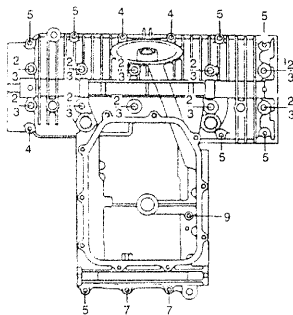
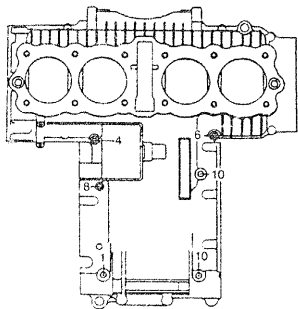
GRID

C11

CB550 ENGINE NO.; CB550E-1000001 TO SUBSEQUENT
CB550 FRAME NO.; CB550K-1000001 TO SUBSEQUENT
CB550K1 ENGINE NO.; CB550E-1029182 TO SUBSEQUENT
CB550K1 FRAME NO.; CB550K-1200001 TO SUBSEQUENT

CB550K176 ENGINE NO.; CB550E-1067334 TO SUBSEQUENT
CB550K176 FRAME NO.; CB550K-1230001 TO SUBSEQUENT

BOLT • WASHER (CRANKCASE)



E1507408

K = CB550
K1 = CB550K1
6 = CB550K76

Ref. No.	BLOCK NO. DESCRIPTION	E-B	K			ENGINE SERIAL NUMBER FROM TO	QTY REQD	PART NUMBER	HONDA CODE
			K	K1	6				
1	BOLT, FLANGE, 8x145		K	K1	6		1	90011-323-000	0292342
2	BOLT, HEX., 8x100		K	K1	6		1	90084-323-000	0255190
3	WASHER, THRUST, 14MM		K	K1	6		10	90485-035-000	0070979
4	BOLT, FLANGE, 6x32		K	K1	6		4	95700-06032-00	0484477
	BOLT, FLANGE, 6x32		K	K1	6		4	95701-06032-00	2105856
5	BOLT, FLANGE, 6x40		K	K1	6		7	95700-06040-00	0483966
	BOLT, FLANGE, 6x40		K	K1	6		7	95701-06040-00	2410942
6	BOLT, FLANGE, 6x50		K	K1	6		1	95700-06050-00	0483974
	BOLT, FLANGE, 6x50		K	K1	6		1	95701-06050-00	2410975
7	BOLT, FLANGE, 6x55		K	K1	6		2	95700-06055-00	0483982
	BOLT, FLANGE, 6x55		K	K1	6		2	95701-06055-00	2533834
8	BOLT, FLANGE, 6x100		K	K1	6		1	95700-06100-00	0484022
	BOLT, FLANGE, 6x100		K	K1	6		1	95701-06100-00	2519742
9	BOLT, FLANGE, 6x105		K	K1	6		1	95700-06105-00	0496-30
10	BOLT, FLANGE, 8x100		K	K1	6		2	95700-08100-00	0488049
	BOLT, FLANGE, 8x100		K	K1	6		2	95701-08100-00	2533875

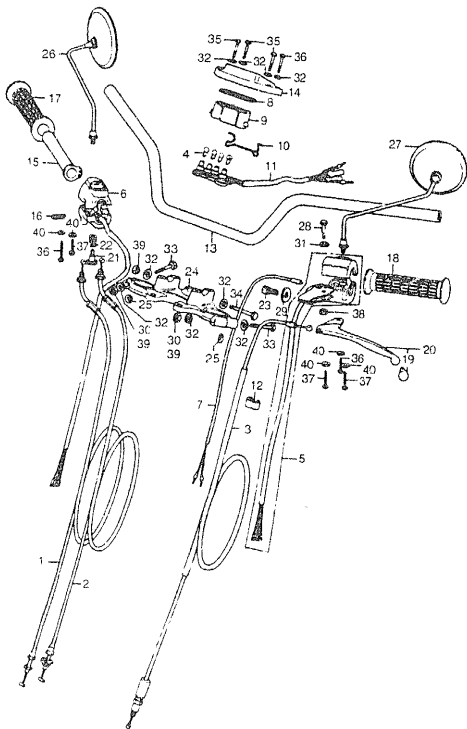
CONTENTS

TITLE	PAGE GRID
AIR CLEANER	78 C3
ALTERNATOR	24 B12
BOLT	48 C12
BRAKE MASTER FR	102 G6
CABLE	50 D1
CRANKSHAFT	10 B5
CRANKCASE	16 B8
CRANKCASE COVER	40 C3
CRANKSHAFT	10 B5
CYLINDER	2 B1
CYLINDER	107 G6
EXHAUST MUFFLER	90 E9
FENDER FR	62 D7
FRAME	118 F11
FUEL TANK	78 E3
HANDLEBAR	60 D1
HEAD	2 B1
HEADLIGHT	58 D4
KICK STARTER SPINDLE	20 C1
OIL FILTER	40 C6
OIL PUMP	24 B12
SHOCK ABSORBER RR	98 F1
SPEEDOMETER	58 D4
STEERING STEM	62 D7
STEP	90 E9
SWINGARM	98 F1
TACHOMETER	58 D4
TAILLIGHT K	106 F5
TAILLIGHT K1-76	112 F8
TRANSMISSION	20 C1
TURN SIGNAL K	106 F5
TURN SIGNAL K1-76	112 F8
WASHER (CRANKCASE)	48 C12
WHEEL FR	70 D11
WHEEL RR	70 D11
WIRE HARNESS	118 F11

CB550 ENGINE NO.; CB550E-1000001 TO SUBSEQUENT
CB550 FRAME NO.; CB550K-1000001 TO SUBSEQUENT
CB550K1 ENGINE NO.; CB550E-1029182 TO SUBSEQUENT
CB550K1 FRAME NO.; CB550K-1200001 TO SUBSEQUENT

CB550K176 ENGINE NO.; CB550E-1067334 TO SUBSEQUENT
CB550K176 FRAME NO.; CB550K-1230001 TO SUBSEQUENT

HANDLEBAR • CABLE



F12374001

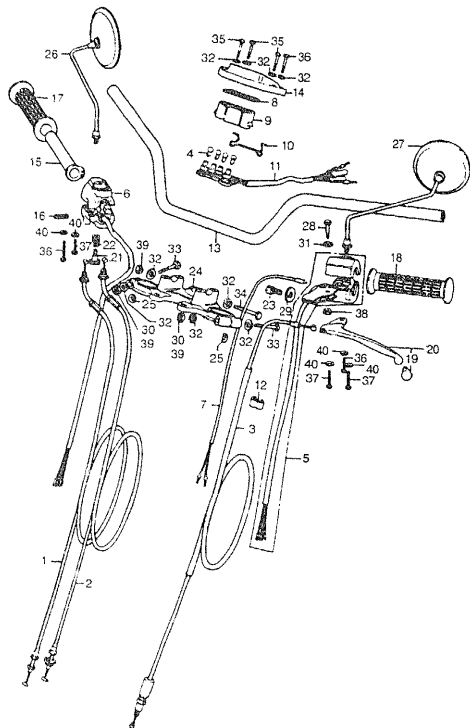
K = CB550
K1 = CB550K1
6 = CB550K76

Ref. No.	BLOCK NO. DESCRIPTION	F-1	K	K1	6	C B 5 5 0 K	FRAME SERIAL NUMBER		QTY REQ	PART NUMBER	HONDA CODE
							FROM	TO			
1	CABLE COMP. A, THROTTLE		K	K1	6		----	----	1	17910-300-040	0237172
	CABLE COMP. A, THROTTLE		K	K1	6		----	----	1	17910-341-000	0273425
2	CABLE COMP. B, THROTTLE		K	K1	6		----	----	1	17920-323-000	0254466
3	CABLE COMP., CLUTCH		K	K1	6		----	----	1	22870-374-000	0362293
4	BULB, DASH (12V3.4W) (LMASEN)		K	K1	6		----	----	4	34902-259-000	0040909
5	SWITCH ASSY., TURN SIGNAL HORN		K	---	---		----	----	1	35250-341-678	0348185
	SWITCH ASSY., TURN SIGNAL HORN		K	K1	---		----	----	1	35200-374-671	0387779
	SWITCH ASSY., TURN SIGNAL		---	---	6		----	----	1	35200-341-910	0435180
6	SWITCH ASSY., LIGHTING KILL		K	---	---		----	----	1	35300-341-671	0314823
	SWITCH ASSY., STARTER KILL		---	K1	---		----	----	1	35150-374-671	0387761
	SWITCH ASSY., STARTER KILL		---	---	6		----	----	1	35130-341-910	0435172
7	SWITCH ASSY., CLUTCH LEVER		K	K1	6		----	----	1	35360-341-000	0314831
8	BASE, LAMP SOCKET		K	K1	6		----	----	1	37576-323-000	0254730
9	SOCKET, PILOT LAMP		K	K1	6		----	----	1	37577-341-000	0273581
10	SPRING, LAMP SOCKET SETTING		K	K1	6		----	----	1	37579-341-010	0273599
11	CORD COMP., PILOT LAMP		K	---	---		----	----	1	37581-323-000	0254763
	CORD COMP., PILOT LAMP		---	K1	6		----	----	1	37581-374-670	0387803
12	CLIP, FP, BRAKE CABLE		K	K1	6		----	----	1	45465-341-700	0314971
13	HANDLEBAR		K	K1	6		----	----	1	53100-374-000	0362749
14	HOLDER, UPPER		K	---	---		----	----	1	53133-323-010	0291344
	HOLDER, UPPER		---	K1	6		----	----	1	53133-374-670	0387845
15	PIPE, THROTTLE GRIP		K	K1	6		----	----	1	53141-300-010	0237586
16	ADJUSTER, THROTTLE GRIP		K	---	---		----	----	1	53163-300-020	0257253
17	GRIP, R. HANDLEBAR		K	K1	6		----	----	1	53165-342-670	0268391
18	GRIP, L. HANDLEBAR		K	K1	6		----	----	1	53166-342-670	0268409
19	CAP, CONTROL LEVER		K	---	---		1022172	----	1	53180-286-000	0178335
	CAP, CONTROL LEVER		K	---	---		1022172	----	1	95010-16000	0300947
	CAP A, LEVER		K	---	---		1022172	----	1	95010-16001	4225710
20	LEVER COMP., L. HANDLE		K	---	---		1022172	----	1	53190-286-670	0182790
	LEVER COMP., L. HANDLE		K	---	---		1022172	----	1	53190-329-000	0282236
	LEVER COMP., L. HANDLE		K	K1	6		1022172	----	1	53190-329-000	0282236
	LEVER COMP., L. HANDLE		K	---	---		1022172	----	1	53190-329-010	0381194
	LEVER COMP., L. HANDLE		K	K1	6		1022172	----	1	53190-329-010	0381194

CONTENTS

TITLE	PAGE GRID
AIR CLEANER	76 E3
ALTERNATOR	24 B12
BOLT	48 C12
BRAKE MASTER CYL. FR	132 G6
CABLE	56 D1
CAMSHAFT	16 B5
CARBURETOR	44 C10
CLUTCH	16 B8
CRANKCASE	2 B1
CRANKCASE COVER	132 G6
CRANKSHAFT	15 B5
CYLINDER	7 B1
CYLINDER	90 E9
EXHAUST MUFFLER	62 D7
FENDER FR	90 E9
FRAME	118 F11
FUEL TANK	78 D3
HANDLEBAR	56 D3
HEAD	2 B1
HEADLIGHT	56 D4
KICK STARTER SPINDLE	30 C3
OIL PUMP	40 C8
OIL FILTER	24 B12
SHOCK ABSORBER FR	98 F1
SPEEDOMETER	56 D4
STEERING STEM	62 D7
STEP	90 E9
SWINGARM	98 F1
TACHOMETER	56 D4
TAIL LIGHT K	106 F5
TAILLIGHT K1-76	112 F8
TRANSMISSION	30 C3
TURN SIGNAL K	106 F5
TURN SIGNAL K1-76	112 F8
WASHER (CRANKCASE)	48 C12
WHEEL FR	70 D11
WHEEL RR	76 D11
WIRE HARNESS	118 F11

HANDLEBAR • CABLE



F19374001

K = CB550
K1 = CB550K1
6 = CB550K76

Ref. No.	BLOCK NO. DESCRIPTION	F-1	CB550		FRAME SERIAL NUMBER	QTY REQ	PART NUMBER	HONDA CODE
			K	K1				
20	LEVER COMP., L. HANDLE	---	K	---	1022172	1	53190-369-700	0365338
	LEVER COMP., L. HANDLE	---	K	K1	6	1	53190-369-700	0365338
	LEVER COMP., L. HANDLE	---	K	---	1022172	1	53190-371-980	0456293
	LEVER COMP., L. HANDLE	---	K	K1	6	1	53178-329-000	0424275
	LEVER COMP., L. HANDLE	---	K	---	1022172	1	53178-329-000	0424275
	LEVER COMP., L. HANDLE	---	K	K1	6	1	53178-369-700	0487942
	LEVER COMP., L. HANDLE	---	K	---	1022172	1	53178-369-700	0487942
21	BOLT, THROTTLE GRIP ADJUSTING	---	K	---	---	1	53190-300-000	9236562
22	SPRING, THROTTLE ADJUSTING	---	K	---	---	1	53191-300-000	0237602
23	BOLT, CABLE ADJ.	---	K	K1	6	1	53192-268-000	0047258
24	BRIDGE, FORK TOP	---	K	K1	---	1	53230-323-010	0257287
	BRIDGE, FORK TOP	---	∠	K1	---	1	53230-323-305	0451336
	BRIDGE, FORK TOP	---	---	6	---	1	53230-323-020	0434985
25	SPACER, FORK TOP BRIDGE	---	K	K1	---	2	53235-300-000	0194308
26	MIRROR, R.	---	K	K1	6	1	88100-333-004	0297317
	MIRROR, R.	---	K	K1	6	1	88110-333-611	0469429
	MIRROR, R.	---	---	6	---	1	88100-333-610	0418806
	MIRROR, R.	---	---	6	---	1	88100-371-980	0456558
27	MIRROR, L.	---	K	K1	---	1	88120-333-004	0297325
	MIRROR, L.	---	K	K1	6	1	88120-333-610	0418814
	MIRROR, L.	---	K	K1	6	1	88120-333-611	0483750
28	BOLT, HANDLEBAR CONTROL LEVER PIVOT	---	X	K1	6	1	90114-268-020	0051300
	BOLT, HANDLEBAR LEVER PIVOT	---	K	K1	6	1	90114-310-000	0113647
29	NUT, FIXING	---	K	K1	6	1	90321-315-670	0241273
	NUT, FIXING	---	X	K1	6	1	90321-968-000	1550763
30	NUT, FLANGE, 7MM	---	---	6	---	2	90355-369-000	0423152
31	WASHER, 7X12	---	K	K1	6	1	90501-310-000	0113654
32	WASHER, PLAIN, 8MM	---	K	K1	---	10	90518-921-000	0255272
	WASHER, PLAIN, 8MM	---	---	6	---	2	90518-921-000	0255272
33	BOLT, HEX., 8X56	---	K	K1	---	2	93000-08056-08	0256909
	BOLT, FLANGE, 7X54	---	---	6	---	2	90155-369-000	0422634
34	BOLT, HEX., 8X74	---	K	K1	6	1	93000-08074-08	0256917
35	BOLT, HEX., 8X40	---	K	K1	---	4	93100-08040-08	0256925

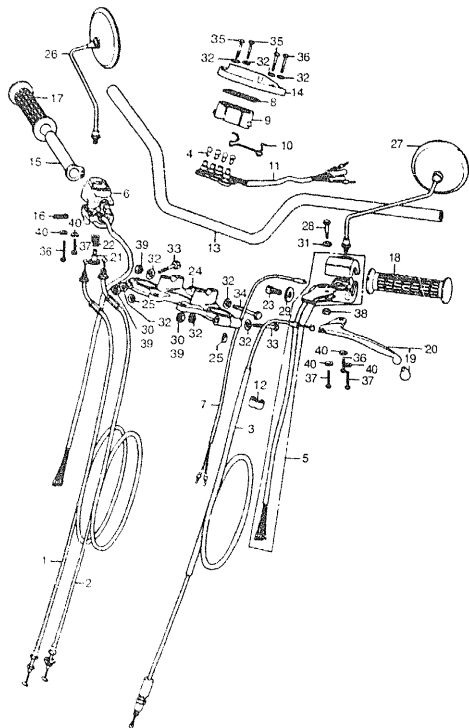
CONTENTS

TITLE	PAGE GRID
AIR CLEANER	78 E9
ALTERNATOR	24 B12
BOLT	48 C12
BRAKE MASTER FF.	132 G6
CABLE	50 D1
CAMSHAFT	10 B5
CARBURETOR	44 C10
CLUTCH	16 B8
CRANKCASE	40 G8
CRANKCASE COVER	16 B8
CRANKSHAFT	10 B5
CYLINDER	2 B1
CYLINDER	132 G6
EXHAUST MUFFLER	80 E9
FENDER FR.	62 D7
FRAME	118 F11
FUEL TANK	78 E3
HANDLEBAR	50 D1
HEAD	2 B1
HEADLIGHT	56 D4
KICK STARTER SPINDLE	30 C3
OIL FILTER	40 C8
OIL PUMP	24 B12
SHOCK ABSORBER FR.	98 F7
SPEEDOMETER	56 D4
STEERING STEM	62 D7
STEP	50 E9
SWINGARM	98 F1
TACHOMETER	56 D4
TAILLIGHT K	106 F5
TAILLIGHT K1-76	112 F8
TRANSMISSION	30 C3
TURN SIGNAL K	106 F5
TURN SIGNAL K1-76	112 F8
WASHER (CRANKCASE)	48 C12
WHEEL FR.	70 D11
WHEEL RR.	70 D11
WIRE HARNESS	118 F11

GRID

D2

HANDLEBAR • CABLE



F 1037-01001

K = CB550
K1 = CB550K1
6 = CB550K76

Ref. No.	BLOCK NO. DESCRIPTION	F-1	CB550		K		K1		FRAME SERIAL NUMBER	FROM	TO	QTY REQ	PART NUMBER	HONDA CODE
			6	7	6	6								
35	BOLT, HEX., 8X40		K	K1	6	6	6	6				4	93101-08040-0B	4314423
36	BOLT, FLANGE, 8X36				6	6	6	6				4	90111-362-000	0338293
36	SCREW, PAN, 5X25		K	K1	6	6	6	6				2	93500-05025-0A	0145565
37	SCREW, PAN, 5X32		K	K1	6	6	6	6				3	93500-05032-0A	0219923
38	NUT, HEX., 6MM		K	K1	6	6	6	6				1	90310-KA3-711	1553916
	NUT, HEX., 6MM		K	K1	6	6	6	6				1	94000-06000-0S	1391283
	NUT, HEX., 6MM		K	K1	6	6	6	6				1	94001-06000	0058016
	NUT, HEX., 6MM		K	K1	6	6	6	6				1	94001-06000-0S	0156067
	NUT, HEX., 6MM		K	K1	6	6	6	6				1	94001-06008-0S	2829414
	NUT, HEX., 6MM		K	K1	6	6	6	6				1	94001-06200-0S	2043255
	NUT, HEX., 6MM		K	K1	6	6	6	6				1	94030-06000	1642693
39	NUT, HEX., 8MM		K	K1	6	6	6	6				3	94001-08020-0S	0145573
					6	6	6	6				1	94001-08020-0S	0145573
40	WASHER, SPRING, 5MM		K	K1	6	6	6	6				5	94111-05000	0058966

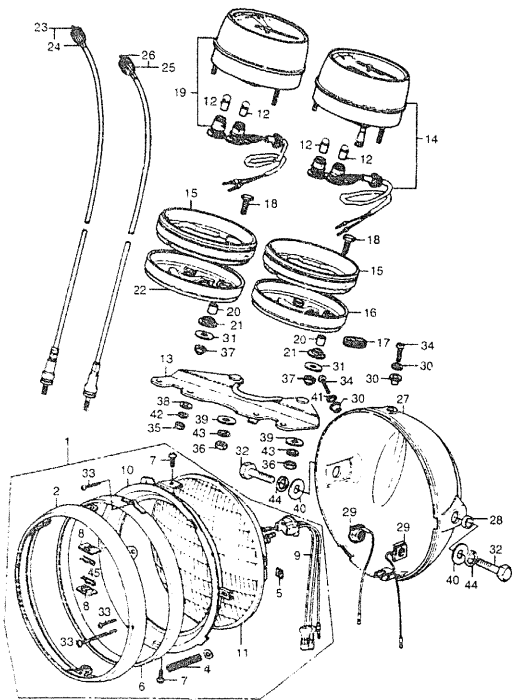
CONTENTS

TITLE	PAGE	GRID
AIR CLEANER	76	E3
AIR FILTER/GEI	24	H12
BOLT	48	C12
BRAKE MASTER FR	132	G6
CABLE	50	D11
CAMSHAFT	10	B5
CARBURETOR	44	C10
CLUTCH	16	B8
CRANKCASE	40	C8
CRANKCASE COVER	14	B9
CRANKSHAFT	10	B5
CYLINDER	2	B1
CYLINDER	132	G6
EXHAUST MUFFLER	90	E9
FENDER FR	62	D7
FRAME	118	F11
FUEL TANK	76	E3
HANDLEBAR	50	D1
HEAD	2	B1
HEADLIGHT	56	D4
ROCK STARTER SPINDLE	30	C3
OIL FILTER	40	C8
OIL PUMP	24	B12
SHOCK ABSORBER FR	98	F1
SPEEDOMETER	56	D4
STEERING STEM	62	D7
STEP	90	E9
SWINGARM	98	F1
TACHOMETER	56	D4
TAILLIGHT K	106	F5
TAILLIGHT K1-76	112	F8
TRANSMISSION	30	C3
TURN SIGNAL K	106	F5
TURN SIGNAL K1-76	112	F8
WASHER (CRANKCASE)	48	C12
WHEEL FR	70	D11
WHEEL FR	70	D11
WIRE HARNESS	118	F11

GRID

D3

HEADLIGHT • SPEEDOMETER • TACHOMETER



F 13 374002

K = CB550
K1 = CB550K1
6 = CB550K76

Part No.	BLOCK NO. DESCRIPTION	F-2	CB550			FRAME SERIAL NUMBER	QTY REQ	PART NUMBER	HONDA CODE
			K	1	6				
			FROM	TO					
1	HEADLIGHT ASSY. (12V 50/40W)	K	K1	6	-----	-----	1	33100-341-701	0314690
2	RIM, HEADLIGHT	K	K1	6	-----	-----	1	33101-300-673	0191668
3	SCREW, BEAM ADJ.	K	K1	6	-----	-----	1	33103-309-003	0191676
	SCREW, BEAM ADJ.	K	K1	6	-----	-----	1	33103-346-670	0398242
	SCREW, BEAM ADJ.	K	K1	6	-----	-----	1	33103-371-980	0455576
4	SPRING, HEADLIGHT BEAM ADJ.	K	K1	6	-----	-----	1	33107-300-003	0191684
5	NUT, HEADLIGHT BEAM ADJ.	K	K1	6	-----	-----	1	33117-292-003	0146407
6	RING, RETAINING	K	K1	6	-----	-----	1	33121-300-672	0191692
7	SCREW, UNIT HOLDER	K	K1	6	-----	-----	2	33125-292-670	0146423
8	NUT, UNIT HOLDER	K	K1	6	-----	-----	2	33128-292-670	0182261
9	SOCKET COMP., HEADLIGHT	K	K1	6	-----	-----	1	33130-300-003	0191700
	SOCKET COMP., HEADLIGHT	K	K1	6	-----	-----	1	33130-341-701	0314708
10	RING, SETTING	K	K1	6	-----	-----	1	33153-300-671	0191718
11	BEAM UNIT, SEALED BEAM UNIT, SEALED (12V50/40W STANLEY)	K	K1	6	-----	-----	1	33321-341-701	0314716
	BEAM UNIT, SEALED (12V50/40W STANLEY)	K	K1	6	-----	-----	1	33321-371-672	0406090
12	BULB, DASH (12V3.4W) (IMASEN) ...	K	K1	6	-----	-----	4	34902-259-000	0044909
13	PLATE, METER SET	K	K1	6	-----	-----	1	37211-323-701	0362541
	PLATE, METER SETTING	K	K1	6	-----	-----	1	37211-341-700	0314849
14	SPEEDOMETER ASSY. (MPH/KPH) (NIPPON SEIKI)	K	--	--	-----	-----	1	37230-323-704	0362556
	SPEEDOMETER ASSY. (MPH/KPH) (NIPPON DENSO)	K	--	--	-----	-----	1	37230-323-705	0312710
	SPEEDOMETER ASSY. (NIPPON SEIKI)	K	K1	--	-----	-----	1	37200-374-671	0387787
	SPEEDOMETER ASSY. (ND)	K	K1	--	-----	-----	1	37200-374-672	0387795
	SPEEDOMETER ASSY. (MPH)	--	--	6	-----	-----	1	37200-390-771	0430371
	SPEEDOMETER ASSY. (ND)	--	--	6	-----	-----	1	37200-390-772	0430389
15	RUBBER, SPEEDOMETER	K	K1	6	-----	-----	2	37235-323-700	0312728
16	PLATE, SPEEDOMETER UNDER	K	K1	6	-----	-----	1	37236-323-700	0312736
17	GROMMET, METER PLATE	K	K1	6	-----	-----	1	37237-323-700	034864
18	BOLT, INSTRUMENT SETTING 6MM	K	K1	6	-----	-----	4	37238-323-700	0312744
19	TACHOMETER ASSY. (NIPPON SEIKI) ..	K	K1	--	-----	-----	1	37240-323-773	0362566
	TACHOMETER ASSY. (ND)	K	K1	--	-----	-----	1	37240-323-774	0312751

CONTENTS

TITLE	PAGE GRID
AIR CLEANER	76 E3
ALTERNATOR	24 B12
BOLT	48 C12
BRAKE MASTER FR	132 G6
CABLE	50 D1
CAMSHAFT	10 E5
CARBURETOR	44 C10
CLUTCH	16 B8
CRANKCASE	40 C8
CRANKCASE COVER	16 B8
CRANKSHAFT	10 E5
CYLINDER	2 B1
CYLINDER	132 G6
EXHAUST MUFFLER	90 E9
FENDER FR	62 D7
FRAME	118 F11
FUEL TANK	76 E3
HANDLEBAR	50 D1
HEAD	2 B1
HEADLIGHT	56 D4
KICK STARTER SPINDLE	30 C3
OIL FILTER	40 C8
OIL PUMP	24 B12
SHOCK ABSORBER RR	96 F1
SPEEDOMETER	56 D4
STEERING STEM	62 D7
STEP	90 E9
SWINGARM	96 F1
TACHOMETER	56 D4
TAILLIGHT R	106 F5
TAILLIGHT K1-76	112 F8
TRANSMISSION	30 C3
TURN SIGNAL K1-76	106 F5
TURN SIGNAL K1-76	112 F8
WASHER (CRANKCASE)	48 C12
WHEEL FR	70 D11
WHEEL RR	70 D11
WIRE HARNESS	118 F11

GRID

D4

AMERICAN HONDA MOTOR CO. LTD. 1984

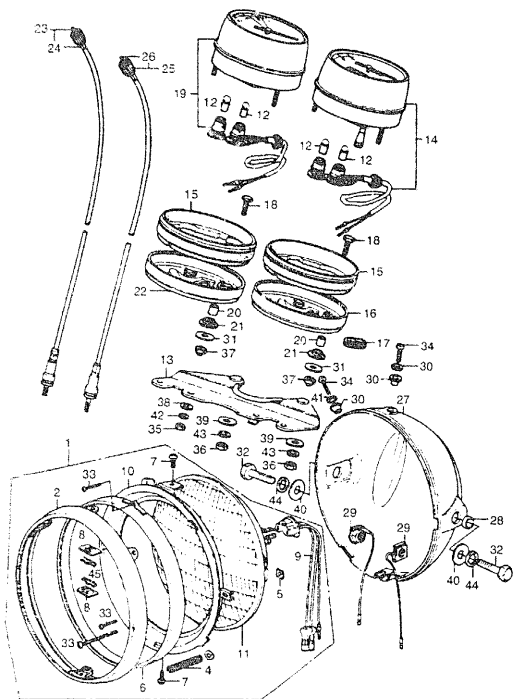
CB550 ENGINE NO.; CB550E-1000001 TO SUBSEQUENT
CB550 FRAME NO.; CB550K-1000001 TO SUBSEQUENT
CB550K1 ENGINE NO.; CB550E-1029182 TO SUBSEQUENT
CB550K1 FRAME NO.; CB550K-1200001 TO SUBSEQUENT

CB550K176 ENGINE NO.; CB550E-1067334 TO SUBSEQUENT
CB550K176 FRAME NO.; CB550K-1230001 TO SUBSEQUENT

AMERICAN HONDA MOTOR CO. LTD. 1984

57

HEADLIGHT • SPEEDOMETER • TACHOMETER



F13374002

K = CB550
K1 = CB550K1
6 = CB550K76

Ref No.	BLOCK NO DESCRIPTION	F-2	CB550			FRAME SERIAL NUMBER	QTY REQ	PART NUMBER	HONDA CODE
			K	K1	6				
19	TACHOMETER ASSY. (NIPPON SEIKI)	---	6	---	---	---	1	37250-390-771	0430397
	TACHOMETER ASSY. (ND)	---	6	---	---	---	1	37250-390-772	0430405
20	COLLAR, INSTRUMENT SETTING	K	K1	6	---	---	4	37243-323-700	0312769
21	RUBBER, METER SETTING	K	K1	6	---	---	4	37244-307-670	0196212
22	PLATE, TACHOMETER UNDER	K	K1	6	---	---	1	37246-323-700	0312777
23	CABLE ASSY., TACHOMETER	K	K1	---	---	1236357	1	37260-300-000	0191601
	CABLE ASSY., TACHOMETER	---	6	---	---	---	1	37260-300-000	0191601
	CABLE ASSY., TACHOMETER	K	K1	---	---	1236357	1	37260-449-840	1097609
	CABLE ASSY., TACHOMETER	---	6	---	---	---	1	57260-449-840	1097609
	CABLE ASSY., TACHOMETER	---	6	---	1236358	---	1	37260-149-000	1231877
	CABLE ASSY., TACHOMETER	---	6	---	1236358	---	1	37260-390-000	0402735
24	CABLE ASSY., TACHOMETER	K	K1	---	---	---	1	37260-300-000	0191601
	CABLE ASSY., TACHOMETER	---	6	---	---	1236357	1	37260-300-000	0191601
	CABLE ASSY., TACHOMETER	K	K1	---	---	---	1	37260-449-840	1097609
	CABLE, TACHOMETER INNER	---	6	---	---	1236357	1	37260-449-840	1097609
	CABLE, TACHOMETER INNER	K	K1	---	---	---	1	37261-300-000	0312785
	CABLE, TACHOMETER INNER	---	6	---	---	1236357	1	37261-300-000	0312785
25	CABLE ASSY., SPEEDOMETER	K	K1	6	---	---	1	44830-323-000	0255570
	CABLE ASSY., SPEEDOMETER	---	6	---	---	1222924	1	44830-323-000	0255570
	CABLE ASSY., SPEEDOMETER	K	K1	6	---	---	1	44830-346-000	0270355
	CABLE ASSY., SPEEDOMETER	---	6	---	---	1222924	1	44830-346-000	0270355
	CABLE ASSY., SPEEDOMETER	K	K1	6	---	---	1	44830-425-870	0757674
	CABLE ASSY., SPEEDOMETER	---	6	---	---	1222924	1	44830-425-870	0757674
	CABLE ASSY., SPEEDOMETER	---	6	---	---	---	1	44830-390-000	0402784
	CABLE ASSY., SPEEDOMETER	---	6	---	---	1222924	1	44830-390-000	0402784
26	CABLE ASSY., SPEEDOMETER	K	K1	6	---	---	1	44830-323-000	0255570
	CABLE ASSY., SPEEDOMETER	K	K1	6	---	---	1	44830-329-000	0281774
	CABLE ASSY., SPEEDOMETER	K	K1	6	---	---	1	44830-346-000	0270355
	CABLE ASSY., SPEEDOMETER	K	K1	6	---	---	1	44830-369-000	0364877
	CABLE COMP., SPEEDOMETER	K	K1	6	---	---	1	44830-375-000	0383992
	CABLE ASSY., SPEEDOMETER	K	K1	6	---	---	1	44830-390-000	0402784
	CABLE ASSY., SPEEDOMETER	K	K1	6	---	---	1	44830-413-000	0495127
	CABLE ASSY., SPEEDOMETER	K	K1	6	---	---	1	44830-413-010	1068865
	CABLE ASSY., SPEEDOMETER	K	K1	6	---	---	1	44830-415-000	0569473
	CABLE ASSY., SPEEDOMETER	K	K1	6	---	---	1	44830-425-870	0757674

AMERICAN HONDA MOTOR CO. LTD. 1994 58

CONTENTS

TITLE	PAGE	GRID
AIR CLEANER	76	E5
ALTERNATOR	24	B12
BOLT	48	C12
BRAKE MASTER FR	132	D6
CABLE	59	D1
CAMSHAFT	10	B5
CARBURETOR	44	C10
CLUTCH	16	B6
CRANKCASE	49	C8
CRANKCASE COVER	16	B6
CRANKSHAFT	10	B5
CYLINDER	2	B1
CYLINDER	132	G6
EXHAUST MUFFLER	90	E9
FENDER FR	62	D7
FRAME	116	F11
FUEL TANK	18	E3
HANDLEBAR	50	D1
HEAD	2	B1
HEADLIGHT	56	D4
KICK STARTER SPINDLE	39	C3
OIL FILTER	40	C8
OIL PUMP	24	B12
SHOCK ABSORBER FR	99	F1
SPEEDOMETER	56	D4
STEERING STEM	62	D7
STEP	90	E9
SWINGARM	96	F1
TACHOMETER	56	D4
TAILLIGHT K	106	F5
TAILLIGHT K1-76	112	F8
TRANSMISSION	36	C2
TURN SIGNAL K	106	F5
TURN SIGNAL K1-76	112	F8
WASHER (CRANKCASE)	48	C12
WHEEL FR	70	D11
WHEEL RR	70	D11
WIRE HARNESS	118	F11

GRID

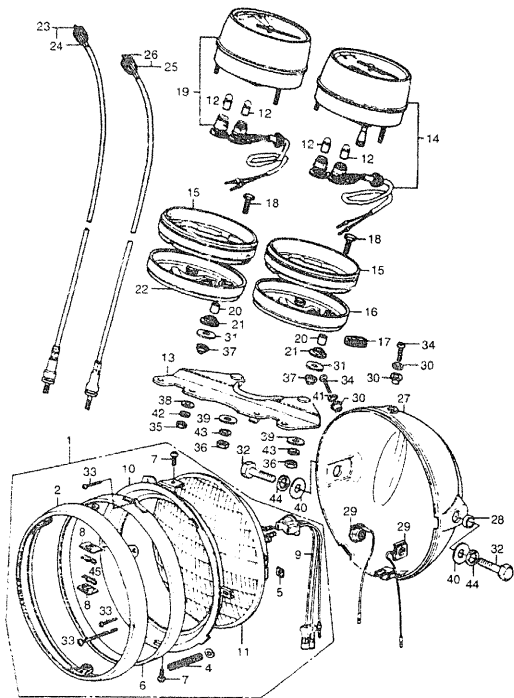
D5

AMERICAN HONDA MOTOR CO. LTD. 1994

CB550 ENGINE NO.; CB550E-1000001 TO SUBSEQUENT
CB550 FRAME NO.; CB550K-1000001 TO SUBSEQUENT
CB550K1 ENGINE NO.; CB550E-1029182 TO SUBSEQUENT
CB550K1 FRAME NO.; CB550K-1200001 TO SUBSEQUENT

CB550K176 ENGINE NO.; CB550E-1067334 TO SUBSEQUENT
CB550K176 FRAME NO.; CB550K-1230001 TO SUBSEQUENT

HEADLIGHT • SPEEDOMETER • TACHOMETER



F13374002

K = CB550
K1 = CB550K1
6 = CB550K76

Ref. No.	BLOCK NO. DESCRIPTION	F-2	CB550K			FRAME SERIAL NUMBER		QTY REQ	PART NUMBER	HONDA CODE
			K	K1	6	FROM	TO			
			K	K1	6					
26	CABLE ASSY., SPE. DOMETER		K	K1	6	-----	-----	1	44830-446-000	0766972
	CABLE ASSY., SPEEDOMETER		K	K1	6	-----	-----	1	44830-463-000	0912220
	CABLE, SPEEDOMETER INNER		K	K1	6	-----	-----	1	44831-323-000	0312827
27	CASE, HEADLIGHT		K	K1	6	-----	-----	1	61301-300-0108	0258152
	CASE, HEADLIGHT		K	K1	6	-----	-----	1	61301-300-0208	0458570
28	COLLAR, HEADLIGHT CASE		K	K1	6	-----	-----	2	61302-300-000	0191734
29	WASHER, HEADLIGHT CASE		K	K1	6	-----	-----	2	61303-336-000	0268367
30	COLLAR, HEADLIGHT SETTING		K	K1	6	-----	-----	3	61304-292-000	0171514
31	WASHER, 6.5X18		K	K1	6	-----	-----	4	90545-323-700	0313163
32	BOLT, HEX., 10X25		K	K1	6	-----	-----	2	92000-10025-08	0166595
	BOLT, HEX., 10X25		K	K1	6	-----	-----	2	92101-10025-08	4544870
33	SCREW, 3X12		K	K1	6	-----	-----	2	93500-03012-38	0362921
34	SCREW, PAN, 5X16		K	K1	6	-----	-----	3	93500-05016-08	0192914
35	NUT, HEX., 6MM		K	K1	6	-----	-----	4	94001-06070	0313247
	NUT, HEX., 6MM		K	K1	6	-----	-----	4	94001-06070-05	0811059
36	NUT, HEX., 8MM		K	K1	6	-----	-----	2	94001-08000-05	0167338
37	NUT, CAP, 6MM		K	K1	6	-----	-----	4	94021-06020	0057893
38	WASHER, PLAIN, 6MM		K	K1	6	-----	-----	4	94101-06700	0294231
39	WASHER, PLAIN, 8MM		K	K1	6	-----	-----	4	94101-08200	0059105
40	WASHER, PLAIN, 10MM		K	K1	6	-----	-----	2	94101-10200	0059121
41	WASHER, SPRING, 5MM		K	K1	6	-----	-----	3	94111-05000	0058966
42	WASHER, SPRING, 6MM		K	K1	6	-----	-----	4	94111-06700	0294249
43	WASHER, SPRING, 8MM		K	K1	6	-----	-----	4	94111-08000	0058982
44	WASHER, SPRING, 8MM		K	K1	6	-----	-----	2	94111-10000	0059006
45	PIN, LOCK, 5MM		K	K1	6	-----	-----	2	94251-05000	0119305

AMERICAN HONDA MOTOR CO. LTD. 1984 61

CONTENTS

TITLE	PAGE	GRID
AIR CLEANER	76	F3
ALTERNATOR	24	B12
BOLT	48	C12
BRAKE MASTER FR.	139	G6
CABLE	50	D1
CAMSHAFT	10	B5
CARBURETOR	44	C10
CLUTCH	16	B8
CRANKCASE	40	C8
CRANKCASE COVER	16	B8
CRANKSHAFT	10	B5
CYLINDER	2	B1
CYLINDER	32	G6
EXHAUST MUFFLER	96	E9
FENDER FR.	62	D7
FRAME	118	F11
FUEL TANK	78	E3
HANDLEBAR	50	D1
HEAD	2	B1
HEADLIGHT	56	D4
KICK STARTER SPINDLE	30	C3
OIL FILTER	40	C8
OIL PUMP	24	B12
SHOCK ABSORBER FR.	93	F1
SPEEDOMETER	56	D4
STEERING STEM	62	D7
STEP	90	E9
SWINGARM	58	F1
TACHOMETER	56	D4
TAILLIGHT K	106	F5
TAILLIGHT K1-76	112	F8
TRANSMISSION	30	C3
TURN SIGNAL K	106	F5
TURN SIGNAL K1-76	112	F8
WASHER (CRANKCASE)	48	C12
WHEEL FR.	70	D11
WIPER HARNESS	118	F11

AMERICAN HONDA MOTOR CO. LTD. 1984

CB550 ENGINE NO.; CB550E-1000001 TO SUBSEQUENT
CB550 FRAME NO.; CB550K-1000001 TO SUBSEQUENT
CB550K1 ENGINE NO.; CB550E-1129182 TO SUBSEQUENT
CB550K1 FRAME NO.; CB550K-1200001 TO SUBSEQUENT

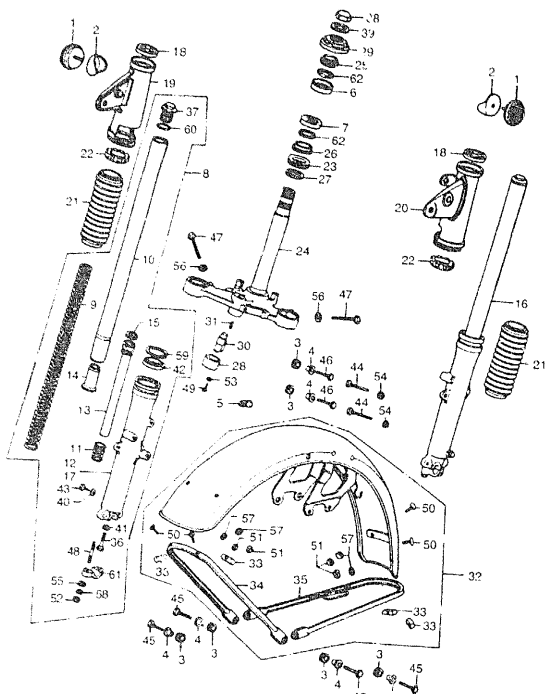
CB550K176 ENGINE NO.; CB550E-1067334 TO SUBSEQUENT
CB550K176 FRAME NO.; CB550K-1230001 TO SUBSEQUENT

D6

GRID

D6

STEERING STEM • FRONT FENDER



F13374005

K = CB550
K1 = CB550K1
6 = CB550K76

Part No	BLOCK NO DESCRIPTION	F-3	CB550			QTY	PART NUMBER	HONDA CODE
			K	1	6			
			K	1	6			
1	REFLECTOR, FR. REFLEX		K	K1	6	2	33741-340-670	0265454
2	BASE, FR. REFLEX REFLECTOR		K	K1	6	2	33743-341-670	0265615
3	RUBBER, CHAIN CASE SETTING		K	K1	6	6	40513-310-000	0113324
4	COLLAR, CHAIN CASE		K	K1	6	6	40514-310-000	0113332
5	GROMMET, CABLE		K	K1	6	1	45451-283-000	0133272
6	RACE, STEERING UPPER BALL		K	K1	6	1	50301-268-000	0101121
7	RACE, STEERING UPPER BALL		K	K1	6	1	50302-268-010	1977669
8	RACE, STEERING UPPER BALL		K	K1	6	1	50301-268-305	0043252
9	RACE, STEERING LOWER BALL		K	K1	6	1	50302-268-000	0101147
10	RACE, STEERING LOWER BALL		K	K1	6	1	50302-268-010	1977081
11	RACE, STEERING LOWER BALL		K	K1	6	1	50302-268-305	0043257
8	FORK ASSY., R. FR.		K	---	---	1	51400-374-003	0362673
			---	K1	---	1	51400-374-003	0362673
			---	---	---	122	1024	
	FORK ASSY., R. FR.		K	K1	6	1	51400-374-013	0414326
			---	K1	---	1	51400-374-013	0414326
			---	---	---	122	1024	
9	SPRING, FR. FORK		K	K1	6	2	51401-374-003	0362681
10	PIPE, FR. FORK		K	K1	6	2	51410-374-003	0362699
11	SPRING, FR. FORK REBOUND		K	K1	6	2	51412-340-000	0265587
12	CASE, R. FORK BOTTOM		K	K1	6	1	51421-341-701	0315077
13	PIPE COMP., BOTTOM		K	K1	6	2	51430-374-003	0362707
14	PIECE, DIL LOCK		K	K1	6	2	51432-340-000	0265595
	PIECE, DIL LOCK		K	K1	6	2	51432-357-000	0321455
15	RING, PISTON		K	K1	6	2	51437-329-010	0293456
16	FORK ASSY., L. FR.		K	K1	6	1	51500-374-013	0416750
17	CASE, L. FR. FORK LOWER		K	K1	6	1	51521-341-701	0315101
18	RUBBER, FR. FORK UPPER COVER		K	K1	6	2	51601-323-000	0255091
19	COVER, R. FR. FORK UPPER		K	K1	6	1	51602-374-000	0362723
20	COVER, L. FR. FORK UPPER		K	K1	6	1	51606-374-000	0362731
21	BOOT, FR. SHOCK		K	K1	6	2	51611-300-000	0194985
22	RUBBER, FR. FORK COVER		K	K1	6	2	51622-323-000	025125
23	DUST SEAL, STEERING HEAD		K	K1	6	1	53124-250-000	0046045
	DUST SEAL, STEERING HEAD		K	K1	6	1	53214-250-000	0367482
24	STEM COMP., STEERING		K	K1	6	1	53200-327-020B	0278622

CONTENTS

TITLE	PAGE	GRID
APPELLANT	76	E3
ATTORNEY	24	F12
DEPT	48	C12
BURKE MASTEN FR	157	G4
CABLE	50	G1
CRANKCASE	15	H5
CRANKCASE COVER	45	F10
CLUTCH	76	B8
CRANKCASE	45	G4
CRANKCASE COVER	74	H4
CRANKSHAFT	19	H5
CYLINDER	2	B1
CYLINDER	157	G1
EXHAUST MUFFLER	90	F4
FENDER FR	67	D7
FRAME	116	F11
FUEL TANK	76	E3
HANDLEBAR	50	D1
HEAD	2	B1
HEADLIGHT	56	D4
KICK STARTER SPINDLE	30	C3
OR PUMP	24	H17
OR PUMP	24	H17
SHOCK ABSORBER FR	90	F4
SPEEDOMETER	56	D4
STEERING STEM	62	D7
SWEEP	90	E9
SWINGARM	98	F1
TACHOMETER	56	D4
TAILLIGHT R	70	F5
TAILLIGHT R176	112	F8
TRANSMISSION	30	C3
TURN SIGNAL R	106	F6
TURN SIGNAL R176	112	F8
WASHER (CRANKCASE)	48	C12
WHEEL FR	70	D11
WHEEL REAR	70	D11
WIRE HARNESS	116	F11

AMERICAN HONDA MOTOR CO., LTD. 1984

CB550 ENGINE NO.; CB550E-1000001 TO SUBSEQUENT
CB550 FRAME NO.; CB550K-1000001 TO SUBSEQUENT
CB550K1 ENGINE NO.; CB550E-1029182 TO SUBSEQUENT
CB550K1 FRAME NO.; CB550K-1200001 TO SUBSEQUENT

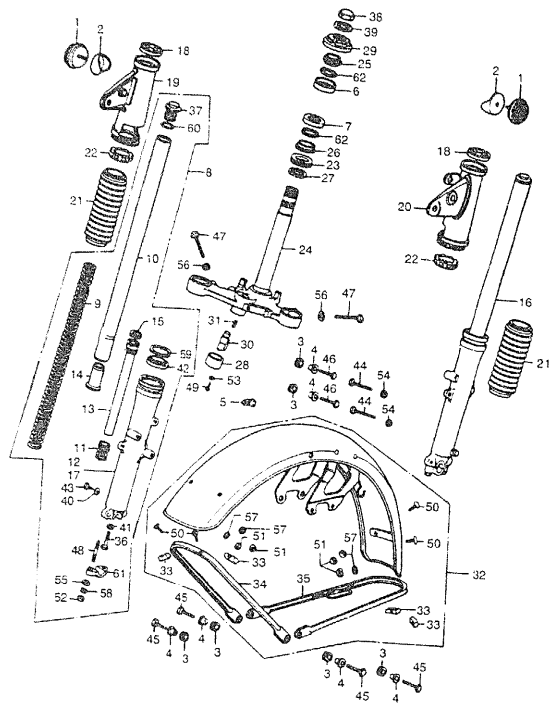
CB550K76 ENGINE NO.; CB550E-1067334 TO SUBSEQUENT
CB550K76 FRAME NO.; CB550K-1230001 TO SUBSEQUENT

AMERICAN HONDA MOTOR CO., LTD. 1984

GRID

D7

STEERING STEM • FRONT FENDER



F1374903

K = CB550
K1 = CB550K1
6 = CB550K76

Ref. No.	BLOCK NO. DESCRIPTION	F-3	CB550			FRAME SERIAL NUMBER		QTY REQ	PART NUMBER	HONDA CODE
			K	K1	6	FROM	TO			
			K	K1	6					
25	RACE, STEERING UPPER CONE	K	K1	6	-----	-----	1	53211-268-000	0102251
	RACE, STEERING UPPER CONE	K	K1	6	-----	-----	1	53211-268-010	1977677
	RACE, STEERING UPPER CONE	K	K1	6	-----	-----	1	53211-268-305	0045997
26	RACE, STEERING LOWER CONE	K	K1	6	-----	-----	1	53212-250-000	0102269
	RACE, STEERING LOWER CONE	K	K1	6	-----	-----	1	53212-250-010	1977131
	RACE, STEERING LOWER CONE	K	K1	6	-----	-----	1	53212-250-305	0046003
27	WASHER, STEERING HEAD DUST SEAL	..	K	K1	6	-----	-----	1	53215-250-000	0046052
28	COVER COMP., HANDLEBAR LOCK CASE	..	K	K1	6	-----	-----	1	53215-317-000	0238394
29	THREAD COMP., STEERING HEAD UPPER	..	K	K1	6	-----	-----	1	53220-286-000	0154708
30	LOCK COMP., HANDLEBAR LOCK	K	K1	6	-----	-----	1	35010-230-010	0136168
	LOCK COMP., HANDLEBAR (TOYO)	Y	K1	6	-----	-----	1	53600-230-000	0137844
31	SPRING, HANDLEBAR LOCK	K	K1	6	-----	-----	1	53631-268-020	0045971
32	FENDER COMP., FR.	K	K1	6	-----	-----	1	61100-341-700XW	0315176
33	PIECE, FENDER MOUNT	K	K1	6	-----	-----	4	61102-300-000	0195081
34	STAY A, FR. FENDER	K	K1	6	-----	-----	1	61111-341-700	0315184
35	STAY B, FR. FENDER	K	K1	6	-----	-----	1	61112-341-700	0315192
36	BOLT, SOCKET, 8MM	K	K1	6	-----	-----	2	90116-283-010	0254169
	BOLT, SOCKET, 8MM (SHOWA)	K	K1	6	-----	-----	2	90116-383-721	0750919
37	BOLT, FR. FORK	K	K1	6	-----	-----	2	90123-300-000	0194992
38	NUT, STEERING STEM	K	K1	6	-----	-----	1	90304-323-670	0254185
	NUT, STEERING STEM	K	K1	6	-----	-----	1	95020-11300	037 60
39	WASHER, STEERING STEM	K	K1	6	-----	-----	1	90503-283-000	0076857
40	GASKET, FR. FORK DRAIN VALVE	K	K1	6	-----	-----	2	90543-273-000	0052209
41	WASHER, SPECIAL, 8MM	K	K1	6	-----	-----	2	90544-283-000	0259457
42	OIL SEAL, 35X48X11	K	K1	6	-----	-----	2	91255-300-025	0240853
		--	K1	--	1221024	-----	2	91255-300-025	0240853
	OIL SEAL, 35X48X11	K	K1	6	-----	-----	2	91255-KB-003	4154134
		--	K1	--	1221024	-----	2	91255-KB-003	4154134
	OIL SEAL, 35X48X11	K	K1	6	-----	-----	2	91255-MA6-013	3523867
		--	K1	--	1221024	-----	2	91255-MA6-013	3523867
	OIL SEAL, 35X48X11	K	K1	6	-----	-----	2	91255-300-033	0391359
		--	K1	--	1221024	-----	2	91255-300-033	0391359
	OIL SEAL, 35X48X11	K	K1	6	-----	-----	2	91255-323-013	0254227
		--	K1	--	1221024	-----	2	91255-323-013	0254227

CONTENTS

TITLE	PAGE	GRID
AIR CLEANER	76	E9
ALTERNATOR	24	B12
BOLT	48	C12
BRAKE MASTER FR	152	G6
CABLE	50	D1
CAMSHAFT	10	E5
CARBURETOR	44	C10
CLUTCH	16	B9
CRANKCASE	40	G6
CRANKCASE COVER	14	B8
CRANKSHAFT	10	B5
CYLINDER	2	B1
CYLINDER	152	G6
EXHAUST MUFFLER	90	E9
FENDER FR	62	D7
FRAME	116	F11
FUEL TANK	75	E9
HANDLEBAR	50	D1
HEAD	2	B1
HEADLIGHT	56	D4
KICK STARTER SPINDLE	39	C9
OIL FILTER	40	C8
OIL PUMP	24	B12
SHOCK ABSORBER RR	98	F1
SPEEDOMETER	56	D4
STEERING STEM	62	D7
STEP	90	E9
SWINGARM	98	F1
TACHOMETER	56	D4
TAILLIGHT	106	F5
TAILLIGHT K1-76	112	F8
TRANSMISSION	30	C3
TURN SIGNAL R	106	F5
TURN SIGNAL K1-76	112	F8
WASHER (CRANKCASE)	48	C12
WHEEL FR	70	D11
WHEEL RR	70	D11
WIRE HARNESS	118	F11

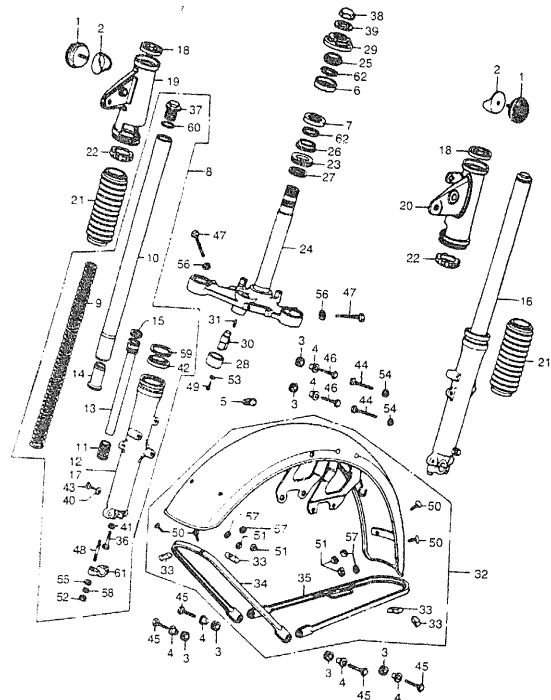
CB550 ENGINE NO.; CB550E-1000001 TO SUBSEQUENT
CB550 FRAME NO.; CB550K-1000001 TO SUBSEQUENT
CB550K1 ENGINE NO.; CB550E-1029182 TO SUBSEQUENT
CB550K1 FRAME NO.; CB550K-1209001 TO SUBSEQUENT

CB550K176 ENGINE NO.; CB550E-1067334 TO SUBSEQUENT
CB550K176 FRAME NO.; CB550K-1230001 TO SUBSEQUENT

GRID

D8

STEERING STEM • FRONT FENDER



F13374003

K = CB550
K1 = CB550K1
6 = CB550K76

Ref. No.	BLOCK NO. DESCRIPTION	F-S	CB550 K			FRAME SERIAL NUMBER		QTY REQ	PART NUMBER	HONDA CODE
			K	K1	6	FROM	TO			
42	OIL SEAL, 35X48X11		K	K1	6	-----	-----	2	91255-434-003	0711515
			--	K1	--	1221024	-----	2	91255-434-003	0711515
	OIL SEAL, 35X48X11		K	K1	6	-----	-----	2	91255-434-013	0918425
			--	K1	--	1221024	-----	2	91255-434-013	0918425
43	BOLT, HEX., 5X10		K	K1	6	-----	-----	2	92000-06010	0054171
	BOLT, HEX., 6X10		K	K1	6	-----	-----	2	92101-06010-0A	3307048
44	BOLT, HEX., 6X16		K	K1	6	-----	-----	2	92000-06016	0654239
	BOLT, HEX., 6X16		K	K1	6	-----	-----	2	92000-06016-0A	0313197
	BOLT, HEX., 6X16		K	K1	6	-----	-----	2	92000-06016-1A	0915124
	BOLT, HEX., 6X16		K	K1	6	-----	-----	2	92100-06016-0A	1685726
	BOLT, HEX., 6X16		K	K1	6	-----	-----	2	92101-06016-0A	2479590
	BOLT, HEX., 6X16		K	K1	6	-----	-----	2	92200-06016-0A	1812400
45	BOLT, HEX., 6X20		K	K1	6	-----	-----	4	92000-06020	0054270
	BOLT, HEX., 6X20		K	K1	6	-----	-----	4	92101-06020-0A	2528925
46	BOLT, HEX., 6X25		K	K1	6	-----	-----	2	92000-06025	0054320
	BOLT, HEX., 6X25		K	K1	6	-----	-----	2	92101-06025-0A	2206563
47	BOLT, HEX., 10X35		K	K1	6	-----	-----	2	92000-10035-0A	0255356
			--	6	--	1243097	-----	2	92000-10035-0A	0255356
	BOLT, FLANGE		--	6	--	1243098	-----	2	95700-10035	0368654
	BOLT, FLANGE, 10X35		--	6	--	1243098	-----	2	95700-10035-00	0487033
	BOLT, FLANGE, 10X35		--	6	--	1243098	-----	2	95701-10035-00	3454147
48	BOLT, STUD, 8X50		K	K1	6	-----	-----	4	92700-08050-3B	0416966
	BOLT, STUD, 8X50		K	K1	6	-----	-----	4	92700-08050-30	0256383
	BOLT, STUD, 8X50		K	K1	6	-----	-----	4	92900-08028-3B	2892685
49	SCREW, PAN, 3X8		K	K1	6	-----	-----	1	93500-0308-0A	0198176
50	SCREW, OVAL, 5X20		K	K1	6	-----	-----	4	53700-05020-0B	0156497
51	NUT, HEX., 5MM		K	K1	6	-----	-----	4	94001-05010-0S	0156885
52	NUT, HEX., 8MM		K	K1	6	-----	-----	4	94050-08000	0114686
53	WASHER, PLAIN, 3MM		K	K1	6	-----	-----	1	94101-03000	0059030
	WASHER, PLAIN, 6MM		K	K1	6	-----	-----	2	94101-06000	0059071
	WASHER, PLAIN, 6MM		K	K1	6	-----	-----	2	94101-06080	3136074
	WASHER, PLAIN, 6MM		K	K1	6	-----	-----	2	94101-06800	0345900
55	WASHER, PLAIN, 8MM		K	K1	6	-----	-----	4	94001-08000	0059097

AMERICAN HONDA MOTOR CO. LTD. 1984 67

CONTENTS

TITLE	PAGE	GRID
AIR CLEANER	78	E3
ALTERNATOR	54	B12
BOLT	48	C12
BRAKE MASTER FR.	132	G6
CABLE	50	D1
CAMSHAFT	10	B5
CARBURETOR	44	C10
CLUTCH	16	B8
CRANKCASE	40	C8
CRANKCASE COVER	16	B8
CRANKSHAFT	10	B5
CYLINDER	2	B1
CYLINDER	132	G6
EXHAUST MUFFLER	80	E8
FENDER, FR.	62	D7
FRAME	118	F11
FUEL TANK	78	E3
HANDLEBAR	50	D1
HEAD	2	B1
HEADLIGHT	56	D4
KICK STARTER SPINDLE	30	C3
OIL FILTER	40	C8
OIL PUMP	24	B12
SHOCK ABSORBER, FR.	98	F1
SPEEDOMETER	56	D4
STEERING STEM	62	D7
STEP	90	E9
SWINGARM	98	F1
TACHOMETER	56	D4
TAILLIGHT K	106	F5
TAILLIGHT K1-76	112	F8
TRANSMISSION	30	C3
TURN SIGNAL K	106	F5
TURN SIGNAL K1-76	112	F8
WASHER (CRANKCASE)	48	C12
WHEEL, FR.	70	D11
WHEEL, FR.	70	D11
WIRE HARNESS	118	F11

GRID

D9

STEERING STEM • FRONT FENDER

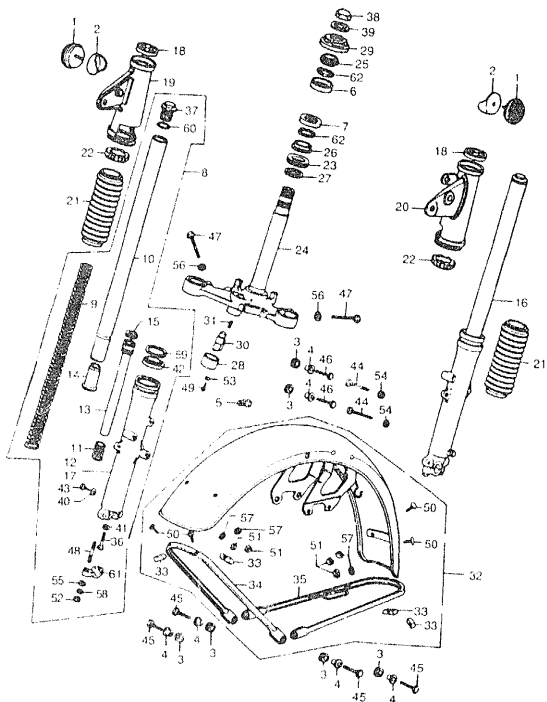


FIG. 14 (1/1)

K ~ CB550
 K1 ~ CB550K1
 6 ~ CB550K76

Part No.	BLOCK NO. DESCRIPTION	F-3	CB550			FRAME SERIAL NUMBER	QTY	REQ	PART NUMBER	HONDA CODE
			K	K1	6					
			FROM	TO						
56	WASHER, PLAIN, 10MM		K	K1	--	-----	2	94102-10000	0172551	
			6		--	-----	2	94102-10000	0172551	
						1243097				
57	WASHER, SPRING, 5MM		K	K1	6	-----	4	94111-05000	0058966	
58	WASHER, SPRING, 8MM		K	K1	6	-----	4	94111-08000	0058982	
59	CIRCLIP, INTERNAL, 48MM		K	K1	6	-----	2	94521-48000	0255349	
60	O-RING, 23X2.8		K	K1	6	-----	2	94608-50000	0255588	
61	HOLDER 1C, FR. FORK AXLE		K	K1	6	-----	2	95014-41000	0255653	
62	BALL, STEEL, #8 (1/4)		K	K1	6	-----	37	96211-08000	0079905	

CONTENTS

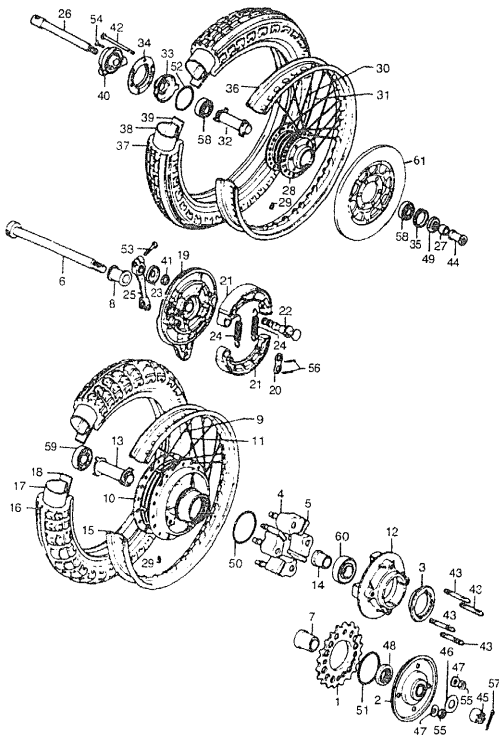
TITLE	PAGE	GRID
AIR CLEANER	76	E1
ALTERNATOR	25	H12
BOAT	48	C12
ENGINE MASTER FR	130	G6
SPARK	50	D1
CAMSHAFT	10	E5
CAMBURR TOR	44	C10
CLUTCH	16	B8
CRANKCASE	48	C8
CRANKCASE COVER	16	B8
CRANKSHAFT	10	E5
CYLINDER	2	B1
CYLINDER	135	G6
EXHAUST MUFFLER	98	E9
FENDER FR	62	D7
FRAME	138	F11
FUEL TANK	78	E3
HANDLE BAR	58	D5
HEAD	2	B1
HEADLIGHT	56	D4
REAR STEERING SPINDLE	30	C3
OH FUEL P	40	C8
OH PUMP	24	H12
SHOCK ABSORBER FR	98	F1
SPRINGS FR	56	D4
STEERING STEM	60	D7
STEP	90	E9
SWINGARM	98	F1
TACHOMETER	56	D4
TAILLIGHT K	106	E5
TAILLIGHT K1-76	112	F8
TRANSMISSION	20	C3
TURN SIGNAL K	106	F5
TURN SIGNAL K1-76	112	F8
WASHER (CRANKCASE)	48	C12
WHEEL FR	70	D11
WHEEL FR	70	D11
WIRE HARNESS	118	F11

CB550 ENGINE NO.; CB550E-1000001 TO SUBSEQUENT
 CB550 FRAME NO.; CB550K-1000001 TO SUBSEQUENT
 CB550K1 ENGINE NO.; CB550E-1029182 TO SUBSEQUENT
 CB550K1 FRAME NO.; CB550K-1200001 TO SUBSEQUENT

CB550K76 ENGINE NO.; CB550E-1067534 TO SUBSEQUENT
 CB550K76 FRAME NO.; CB550K-1230001 TO SUBSEQUENT

© AMERICA'S HONDA MOTOR CO., LTD. 1984

FRONT WHEEL • REAR WHEEL



F13374004

K = CB550
K1 = CB550K1
6 = CB550K76

Ref. No.	BLOCK NO. DESCRIPTION	F-4	CB550			FRAME SERIAL NUMBER		QTY	PART NUMBER	HONDA CODE
			K	K1	6	FROM	TO			
1	SPROCKET, FINAL DRIVEN (37T)		K	K1	6	-----	-----	1	41201-374-000	0762574
2	PLATE, SPROCKET SIDE		K	K1	6	-----	-----	1	41211-323-000	0257824
3	RETAINER, RR. WHEEL BEARING		K	K1	6	-----	-----	1	41231-323-020	0257832
4	DAMPER A, RR.		K	K1	6	-----	-----	4	41242-323-000	0257857
5	DAMPER B, RR.		K	K1	6	-----	-----	4	41243-323-000	0257840
6	AXLE, RR. WHEEL		K	K1	6	-----	-----	1	42301-300-010	0237339
7	COLLAR, RR. WHEEL SIDE		K	K1	6	-----	-----	1	42301-300-020	0468942
8	COLLAR, RR. BRAKE PANEL SIDE		K	K1	6	-----	-----	1	42313-323-040	0257865
9	SPOKE A, RR.		K	K1	6	-----	-----	20	42601-283-000	0078386
10	HUB COMP., RR. WHEEL		K	K1	6	-----	-----	1	42601-323-030	0257881
11	SPOKE B, RR.		K	K1	6	-----	-----	20	42604-283-000	0078394
12	FLANGE, FINAL DRIVEN		K	K1	6	-----	-----	1	42610-373-000	0255547
13	COLLAR, RR. AXLE DISTANCE		K	K1	6	-----	-----	1	42620-323-030	0257899
14	COLLAR B, RR. AXLE DISTANCE		K	K1	6	-----	-----	1	42625-283-000	0078436
15	RIM, RR. WHEEL (18) (DAIRO)		K	K1	6	-----	-----	1	42701-283-003	0078352
16	TIRE, RR. WHEEL (18) (DAIRO)		K	K1	6	-----	-----	1	42701-404-771	0700468
17	TIRE, RR. WHEEL (3.75S-18) (BS)		K	K1	6	-----	-----	1	42711-374-003	0362582
17	TIRE, RR. WHEEL (3.75S-18) (BS)		K	K1	6	-----	-----	1	42711-375-671	0415943
17	TUBE, TIRE (4.00-18) (BS)		---	K1	---	1224933	-----	1	08400-34001	0722611
17	TUBE, TIRE (4.00-18) (BS)		---	K1	---	1224933	-----	1	08400-34001	0722611
17	TUBE, TIRE (INDUE) (100/100-18)		K	K1	6	-----	-----	1	42712-K11-671	2305407
17	TUBE, TIRE (INDUE) (100/100-18)		---	K1	---	1224933	-----	1	42712-K11-671	2305407
17	TUBE, TIRE (4.00-18) (NITTO)		K	K1	6	-----	-----	1	42712-340-006	0265884
17	TUBE, TIRE (4.00-18) (NITTO)		---	K1	---	1224933	-----	1	42712-340-006	0265884
17	TUBE, TIRE (3.75-18) (BS)		K	K1	6	-----	-----	1	42711-374-003	0362590
17	TUBE, TIRE (3.75-18) (BS)		---	K1	---	1224933	-----	1	42711-374-003	0362590
17	TUBE, TIRE (4.10-18) (BS)		K	K1	6	-----	-----	1	42712-400-003	15613-9
17	TUBE, TIRE (4.10-18) (BS)		---	K1	---	1224933	-----	1	42712-400-003	15613-9
17	TUBE, TIRE (4.00-18) (BS)		K	K1	6	-----	-----	1	42712-425-003	0824656
17	TUBE, TIRE (4.00-18) (BS)		---	K1	---	1224933	-----	1	42712-425-003	0824656
17	TUBE, TIRE (4.00-18) (BS)		K	K1	6	-----	-----	1	42712-435-003	0788877
17	TUBE, TIRE (4.00-18) (BS)		---	K1	---	1224933	-----	1	42712-435-003	0788877

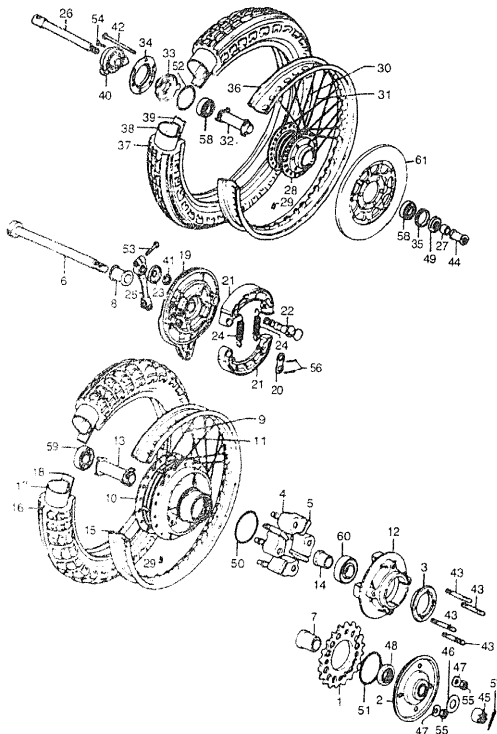
CONTENTS

TITLE	PAGE	GRID
AIR CLEANER	76	E3
ALTERATOR	24	B12
BOLT	48	C12
BRAKE MASTER FR	132	G6
CABLE	50	D1
CRANKSHAFT	10	B5
CARBURETOR	44	C10
CLUTCH	16	B8
CRANKCASE	48	C8
CRANKCASE COVER	16	B8
CRANKSHAFT	10	B5
CYLINDER	2	B1
CYLINDER	132	G6
EXHAUST MUFFLER	90	E9
FENDER FR	62	D7
FRAME	118	F11
FUEL TANK	78	E2
HANDLEBAR	58	D1
HEAD	2	R1
HEADLIGHT	56	D4
KICK STARTER SPINDLE	20	B2
OIL FILTER	40	C6
OIL PUMP	24	B12
SHOCK ABSORBER FR	98	F1
SPEEDOMETER	56	D4
STEERING STEM	62	D7
STEP	90	E9
SWINGARM	96	F1
TACHOMETER	56	D4
TAILLIGHT K	102	F3
TAILLIGHT K176	112	F8
TRANSMISSION	20	C3
TURN SIGNAL K	106	F5
TURN SIGNAL K176	112	F8
WASHER (CRANKCASE)	48	C12
WHEEL FR	70	D11
WHEEL RR	70	D11
WIRE HARNESS	118	F11

CB550 ENGINE NO.; CB550E-1000001 TO SUBSEQUENT
CB550 FRAME NO.; CB550K-1000001 TO SUBSEQUENT
CB550K1 ENGINE NO.; CB550E-1029182 TO SUBSEQUENT
CB550K1 FRAME NO.; CB550K-1200001 TO SUBSEQUENT

CB550K176 ENGINE NO.; CB550E-1067334 TO SUBSEQUENT
CB550K176 FRAME NO.; CB550K-1230001 TO SUBSEQUENT

FRONT WHEEL • REAR WHEEL



F1374004

K = CB550
K1 = CB550K1
6 = CB550K76

Ref. No.	BLOCK NO. DESCRIPTION	F-4	K		QTY REQ	FRAME SERIAL NUMBER FROM TO	PART NUMBER	HONDA CODE
			K1	6				
17	TUBE, TIRE (3.25/3.50-19) (DUNLOP)		K	K1	6	-----	44712-300-004	1006477
			--	K1	6	1224933	44712-300-004	1006477
	TUBE, TIRE (4.00-18)		--	K1	6	1224933	42712-300-000	0191296
			--	K1	6	1224933	42712-300-000	0191296
	TUBE, TIRE (4.00-18) (BS)		--	K1	6	1224933	42712-300-003	0434258
			--	K1	6	1224933	42712-300-003	0434258
	TUBE, TIRE (4.00-18) (BS)		--	K1	6	1224933	42712-310-004	0113233
			--	K1	6	1224933	42712-310-004	0113233
	TUBE, TIRE (4.00-18) (BS)		--	K1	6	1224933	42712-312-003	0229351
			--	K1	6	1224933	42712-312-003	0229351
18	FLAP, TIRE (18) (BS)		K	K1	6	-----	42713-268-003	0049650
19	PANEL COMP., RR. BRAKE		K	K1	6	-----	43100-374-000	0362608
20	WASHER, ANCHOR PIN		K	K1	6	-----	43102-319-000	0212092
	WASHER, BRAKE ANCHOR PIN		K	K1	6	-----	43106-222-300	0033233
21	SHOE COMP., RR. BRAKE (SEE KIT P/N--END OF BLOCK)		K	K1	6	-----	43120-283-000	0078584
	SHOE COMP., RR. BRAKE (SEE KIT P/N--END OF BLOCK)		K	K1	6	-----	43120-404-003	0466991
	SHOE COMP., RR. BRAKE (SEE KIT P/N--END OF BLOCK)		K	K1	6	-----	43120-458-670	0398305
22	CAM, RR. BRAKE		K	K1	6	-----	43141-374-000	0362616
23	PLATE, BRAKE INDICATOR		K	K1	6	-----	43145-374-000	0362624
24	SPRING, RR. BRAKE SHOE		K	K1	6	-----	43151-346-000	0328286
25	ARM, RR. BRAKE		K	K1	6	-----	43411-374-000	0362632
26	AXLE, FR. WHEEL		K	K1	6	-----	44301-300-000	0194738
	AXLE, FR. WHEEL		K	K1	6	-----	44301-393-000	0445817
	AXLE, FR. WHEEL		K	K1	6	-----	44301-422-000	0693341
	AXLE, FR. WHEEL		K	K1	6	-----	44301-425-870	0757625
27	COLLAR, FR. WHEEL SIDE		K	K1	6	-----	44311-300-000	0193102
	COLLAR, FR. WHEEL SIDE		K	K1	6	-----	44311-371-980	0455873
28	HUB, FR. WHEEL		K	K1	6	-----	44601-300-040	0237347
29	BALANCER, WHEEL (20G)		K	K1	6	-----	44606-283-000	0078022
	BALANCER, WHEEL (15G)		K	K1	6	-----	44607-283-000	0089292
	BALANCER, WHEEL (10G)		K	K1	6	-----	44608-283-000	0093300

CONTENTS

TITLE	PAGE	GRID
AIR CLEANER	78	E3
ALTERNATOR	24	B12
BOLT	48	C12
BRAKE MASTER FR	13	G6
CABLE	50	D1
CRANKSHAFT	10	B5
CARBURETOR	44	C10
CLUTCH	19	B8
CRANKCASE	40	C8
CRANKCASE COVER	16	B8
CRANKSHAFT	10	B5
CYLINDER	2	B1
CYLINDER	130	G6
EXHAUST MUFFLER	90	E9
FENDER FR	62	O7
FRAME	118	F11
FUEL TANK	78	E3
HANDLEBAR	50	D1
HEAD	2	B1
HEADLIGHT	56	D4
KICK STARTER SPINDLE	30	C1
OIL FILTER	40	C3
OIL PUMP	24	B12
SHOCK ABSORBER, RR	98	F1
SPEEDOMETER	56	D4
STEERING STEM	62	O7
STEP	90	E9
SWINGARM	98	F1
TACHOMETER	56	D4
TAILLIGHT K	102	F5
TAILLIGHT K1-76	112	F8
TRANSMISSION	30	C3
TURN SIGNAL K	106	F5
TURN SIGNAL K1-76	112	F8
WASHER (CRANKCASE)	48	C12
WHEEL FR	70	D11
WHEEL RR	70	D11
WIRE HARNESS	118	F11

GRID

D12

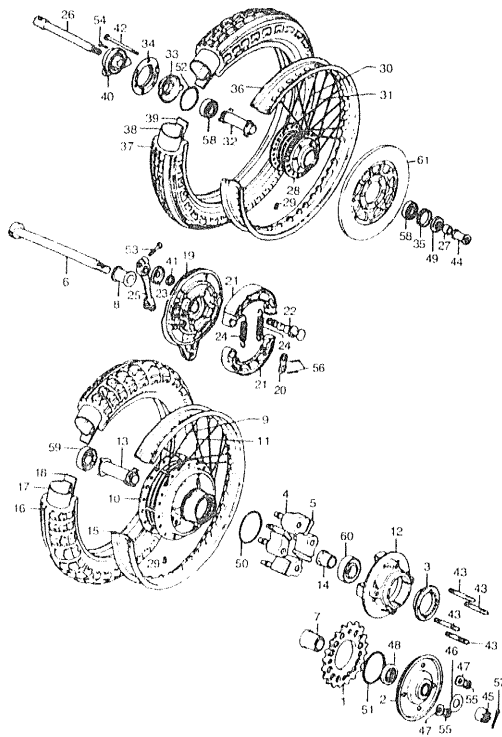
© 1994 AMERICAN HONDA MOTOR CO., LTD.

CB550 ENGINE NO.; CB550E-1000001 TO SUBSEQUENT
CB550 FRAME NO.; CB550K-1000001 TO SUBSEQUENT
CB550K1 ENGINE NO.; CB550K-1029782 TO SUBSEQUENT
CB550K1 FRAME NO.; CB550K-1200001 TO SUBSEQUENT

CB550K76 ENGINE NO.; CB550E-1067334 TO SUBSEQUENT
CB550K76 FRAME NO.; CB550K-1230001 TO SUBSEQUENT

© AMERICAN HONDA MOTOR CO. LTD. 1994 73

FRONT WHEEL • REAR WHEEL



F 13430004

Ref No	BLOCK NO DESCRIPTION	F 4	K	K 1	6	C B 5 5 0 K	C B 5 5 0 K	FRAME SERIAL NUMBER		Q T Y	P/P/T NUMBER	HONDA CODE
								FROM	TO			
29	BALANCE, WHEEL (5G)		K	K 1	6			AR	44609-283-000		0089316	
30	SPOKE A, FR. (DAIDO)		K	K 1	6			20	44606-300-003		0194753	
	SPOKE BS, 8X.03		K	K 1	6			20	97451-69246-10		0486365	
31	SPOKE B, FR. (DAIDO)		K	K 1	6			20	44607-500-003		0194761	
	SPOKE BS, 8X20.5		K	K 1	6			20	97811-69245-10		0486373	
32	COLLAR, FR. AXLE DISTANCE		K	K 1	6				44620-300-020		0194779	
33	RETAINER, GEAR BOX		K	K 1	6			1	44641-341-000		0273672	
	RETAINER COMP., GEAR BOX				6			1	44641-375-000		0383984	
34	COVER, GEAR BOX RETAINER		K	K 1	6			1	44662-300-020		0241141	
35	RETAINER, FR. WHEEL BEARING		K	K 1	6			1	44643-300-000		0194803	
36	RIM, FR. WHEEL (19) (DAIDO)		K	K 1	6			1	44701-300-013		0194811	
	RIM, FR. WHEEL		K	K 1	6			1	44701-405-771		0688226	
37	TIRE, FR. (3.25-19) (BS)		K	K 1	6			1	44711-300-013		0286906	
	TIRE, FR. (3.25H19)		K	K 1	6			1	44711-341-003		0418103	
	TIRE, FR. (3.25S-19) (BS)		K	K 1	6			1	44711-375-671		0415950	
38	TUBE, TIRE (3.25-19)		K						08400-31310		0450262	
				K 1					1224932		0450262	
	TUBE, TIRE (3.00-19)		K						44712-290-000		0166264	
				K 1					1224932		0166264	
	TUBE, TIRE (3.25-19)		K						44712-300-000		0194837	
				K 1					1224932		0194837	
	TUBE, TIRE (3.25-19)		K						44712-310-004		0113746	
				K 1					1224932		0113746	
	TUBE, TIRE (3.25-19) (BS)		K						44712-312-003		0229377	
				K 1					1224932		0229377	
	TUBE, TIRE (2.75 3.00-19) (DUNLOP)		K						44712-401-681		0466987	
				K 1					1224932		0466987	
	TUBE, TIRE (19) (YOKOHAMA)		K						44712-413-009		0495101	
				K 1					1224932		0495101	
	TUBE, TIRE (3.25/3.50-19) (BS)				6				08400-37110		0646885	
				K 1					1224933		0646885	
	TUBE, TIRE (3.25/3.50-19) (BS)				6				44712-500-003		0434266	
				K 1					1224933		0434266	
	TUBE, TIRE (3.50-19) (HS)				6				44712-571-003		0407155	
				K 1					1224933		0407155	

CONTENTS

TITLE	PAGE	P. 2
AXLE ASSEMBLY	26	132
ALTERNATOR	29	132
BOLE	40	132
FRONT MASTER FLI	137	132
FRAME	50	132
GEAR SHAFT	10	135
GEARBOX COVER	45	130
GEUTCH	76	139
GEARCASE	63	138
GEARCASE COVER	66	139
GEARSHAFT	10	135
CYLINDER	2	137
CYLINDER	132	136
EXHAUST MUFFLER	90	134
FENDER FLI	67	137
FRAM	133	133
FUEL TANK	70	133
HAND LEVER	59	133
HEAD	2	133
REAR LIGHT	56	133
ROCK SWITCH & SHIFTER	80	133
CRUISE	40	133
CRUISE PUMP	24	133
SPARK PLUG ASSEMBLY	92	133
SPIDER PUMP	56	134
STEERING STEM	62	137
SWITCH	90	133
SWITCHING	90	133
TACHOMETER	56	133
TAIL LIGHT	106	135
TAIL LIGHT	112	138
THROTTLE	30	133
TURNSIGNAL	106	135
TURNSIGNAL	112	138
WASHER (GEARCASE)	40	133
WHEEL	20	133
WHEEL	53	133
WHEEL	138	133

F 13430004

F 13430004

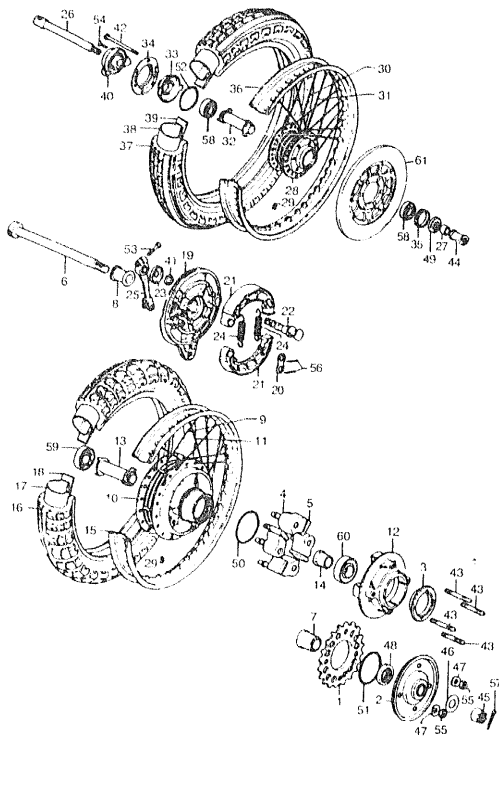
F 13430004

F 13430004

CB550 ENGINE NO.; CB550-100001 TO SUBSEQUENT
 CB550 FRAME NO.; CB550K-100001 TO SUBSEQUENT
 CB550K1 ENGINE NO.; CB550K-1029762 TO SUBSEQUENT
 CB550K1 FRAME NO.; CB550K-120001 TO SUBSEQUENT

CB550K176 ENGINE NO.; CB550K-1067336 TO SUBSEQUENT
 CB550K176 FRAME NO.; CB550K-1230001 TO SUBSEQUENT

FRONT WHEEL • REAR WHEEL



F 153-0018

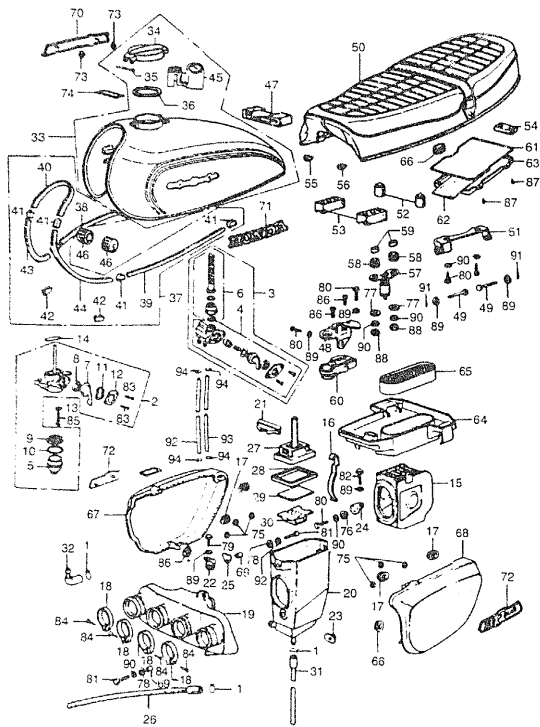
REF NO	BLOCK NO DESCRIPTION	F-4			QTY	PART NUMBER	HONDA CODE
		K	K1	6			
		K	K1	6			
39	FLAP, TIRE (19)	K	K1	6	1	44713-700-003	0194845
40	BOX ASSY., SPEEDOMETER GEAR	K	K1	6	1	44800-323-000	0257931
41	DUST SEAL, BRAKE CAM	K	K1	6	1	45134-250-000	0048393
42	BOLT, 8X102	K	K1	6	6	90122-300-020	0237297
43	BOLT, STUD, 10X48MM	K	K1	6	4	90125-323-000	0234351
44	NUT, FR. AXLE	K	K1	6	1	90305-300-000	0194878
	NUT, AXLE, 12MM	K	K1	6	1	90305-333-000	0297424
	NUT, AXLE, 12MM	K	K1	6	1	90306-425-870	0758409
45	NUT, RR. WHEEL AXLE	K	K1	6	1	90306-268-000	0051821
46	WASHER, 18.5X34	K	K1	6	1	90523-292-000	0144881
47	WASHER, TONGUED, 10MM	K	K1	6	4	90524-523-000	0254201
48	OIL SEAL, 34X55X9	K	K1	6	1	90753-283-000	0078956
49	DUST SEAL, 22X36X8	K	K1	6	1	91252-300-003	0194886
50	O-RING, 79X2.6	K	K1	6	1	91261-523-000	0256818
51	O-RING, 92X2	K	K1	6	1	91262-323-000	0256826
52	O-RING, 58X2	K	K1	6	1	91302-300-000	0240796
53	BOLT, HEX., 6X20	K	K1	6	1	92000-06020	0054270
	BOLT, HEX., 6X20	K	K1	6	1	92101-06020-0A	2528925
54	SCREW, OVAL, 5X15	K	K1	6	1	93700-05015-0A	0112250
	SCREW, OVAL, 5X16	K	K1	6	1	93700-05016-0A	0166975
55	NUT, HEX., 10MM	K	K1	6	4	94030-10000	0223024
56	PIN, COTTER 2.5MM	K	K1	6	2	94201-25200	0058404
	PIN, COTTER 2.5MM	K	K1	6	2	94201-25250	0165581
	PIN, COTTER 2.5MM	K	K1	6	2	94201-25300	0156091
57	PIN, COTTER 4.0X30	K	K1	6	1	94201-40300	0058461
58	BEARING, BALL, 6302U	K	K1	6	2	96140-63020	0084186
59	BEARING, RADIAL BALL, 6304U	K	K1	6	1	96140-63040-10	025779C
	BEARING, RADIAL BALL, 6305U	K	K1	6	1	96140-63050-10	0257808
61	DISK COMP., FR. BRAKE	K	K1	-	1	45120-323-020	0256248
	DISK COMP., FR. BRAKE	K	K1	-	1	45120-374-700	0434944
N1	BRAKE SHOE KIT	K	K1	6	1	06430-390-405	4357216
	BRAKE SHOE KIT	K	K1	6	1	43140-390-670	3528858

F 153-0018

CONTENTS

TITLE	PAGE	GROUP
ANTI-LOCK BRAKE	28	1-1
AXLE/TORQUE	24	1-2
BEET	40	1-3
BRAKE MASTER CYLINDER	137	6-1
CABLE	50	1-4
CAMSHAFT	3	1-5
CRANKCASE	44	1-10
CLUTCH	76	1-10
CRANKCASE COVER	40	1-10
CRANKCASE	40	1-10
CYLINDER	2	1-11
CYLINDER	136	6-2
EXHAUST MANIFOLD	300	1-11
FUEL TANK	62	1-7
FLAME	138	1-11
FUEL TANK	29	1-11
HEADLIGHT	2	1-11
HEADLIGHT	56	1-11
ROCK SWITCH COMPONENT	80	1-11
CR. F. T. T. H.	40	1-11
CR. PLUM*	25	1-11
SHOCK ABSORBER	98	1-11
SPRINGER	56	1-11
STEERING SYSTEM	62	1-11
SWITCH	98	1-11
SWINGARM	98	1-11
TACHOMETER	76	1-11
TALEIGHT KIT	300	1-11
THROTTLE BODY	80	1-11
TURN SIGNAL	100	1-11
TURN SIGNAL KIT	112	1-11
WASHER CLEANING CASE	40	1-11
WHEEL	70	1-11
WHEEL	70	1-11
WRENCH SET	115	1-11

FUEL TANK • AIR CLEANER



CAUTION OR WARNING LABELS MUST BE ORDERED SEPARATELY WHEN APPLICABLE

F1337/4005

K = CB550
K1 = CB550K1
6 = CB550K76

Ref. No.	BLOCK NO. DESCRIPTION	F-5	CB550		FRAME SERIAL NUMBER	QTY	PART NUMBER	HONDA CODE
			K	6				
			K1	6				
1	CLIP, BREATHER TUBE		K	6		3	15772-292-010	0142885
2	VALVE ASSY., FUEL		K	1		1	16950-300-020	0195123
3	VALVE ASSY., FUEL		K	1		1	16950-374-671	0387605
4	BODY SET, VALVE		K	1		1	16951-374-671	0395574
5	CUP, FUEL STRAINER		K	1		1	16952-268-000	0042218
6	STRAINER SET		K	1		1	16952-341-671	0395582
7	LEVER, VALVE		K	1		1	16953-268-020	0042226
8	GASKET, VALVE		K	1		1	16955-268-020	0042234
9	SCREEN, FUEL STRAINER		K	1		1	16957-268-010	0042242
10	GASKET, FUEL STRAINER CUP		K	1		1	16958-268-010	0042259
11	SPRING, VALVE LEVER		K	1		1	16960-268-010	0042267
12	PLATE, FUEL VALVE LEVER SETTING		K	1		1	16961-268-010	0042275
13	GASKET, VALVE BODY		K	1		2	16993-011-000	0006262
14	GASKET, VALVE BODY		K	1		1	16997-273-006	0085712
15	ELEMENT, AIR CLEANER		K	K1	6	1	17210-374-003	0362095
16	SPRING, AIR CLEANER ELEMENT		K	K1	6	1	17216-323-020	0253633
17	GROMMET A, AIR CLEANER CASE		K	K1	6	4	17247-303-000	0198234
18	BAND A, AIR CLEANER CONNECTING TUBE		K	K1	6	4	17255-323-000	0255455
19	CHAMBER COMP., AIR CLEANER		K	K1	6	1	17310-323-000B	0253658
	CHAMBER COMP., AIR CLEANER		K	K1	6	1	17310-323-010B	0468181
20	CASE, AIR CLEANER ELEMENT SEAL		K	K1	6	1	17313-374-003	0362103
21	COVER, AIR CLEANER		K	K1	6	1	17315-323-000	0292151
22	STAY, AIR CLEANER		K	K1	6	1	17317-323-010	0253666
23	WASHER, ELEMENT SETTING		K	K1	6	1	17318-323-000	0253674
24	STAY, AIR CLEANER RR.		K	K1	6	1	17319-323-000	0253682
25	PLATE, AIR CLEANER		K	K1	6	1	17331-323-000	0255463
26	TUBE ASSY., BREATHER		K	K1	6	1	17335-323-000	0253690
27	COVER, AIR CLEANER ELEMENT		K	K1	6	1	17350-374-003	0362111
28	SEAL, ELEMENT COVER		K	K1	6	1	17351-374-003	0362129
29	ELEMENT		K	K1	6	1	17352-374-003	0362137
30	PLATE, SEAL		K	K1	6	1	17353-374-003	0362145
31	TUBE ASSY., DRAIN		K	K1	6	1	17358-374-000	0362152

CONTENTS

TITLE	PAGE	GRID
AIR CLEANER	78	E3
ALTERNATOR	24	B12
BOLT	48	C12
BRAKE MASTER FR	130	G6
CRANK	50	D1
CRANKSHAFT	10	B5
CARBURETOR	44	C10
CLUTCH	16	B8
CRANKCASE	40	C8
CRANKCASE COVER	16	B8
CRANKSHAFT	10	B5
CYLINDER	2	B1
CYLINDER	132	G8
EXHAUST MUFFLER	90	E9
FENDER FR	62	D7
FRAME	118	F11
FUEL TANK	78	E3
HANDLEBAR	50	D1
HEAD	2	B1
HEADLIGHT	56	D4
KICK STARTER SPRINDLE	30	C3
OIL FILTER	40	C8
OIL PUMP	24	B12
SHOCK ABSORBER FR	98	F1
SPEEDOMETER	56	D4
STEERING STEM	62	D7
STEP	50	E9
SWINGARM	98	F1
TACHOMETER	56	D4
TAILLIGHT K1-76	106	F5
TAILLIGHT K	106	F5
TAILLIGHT K1-76	112	F8
TRANSMISSION	30	C3
TURN SIGNAL K	106	F5
TURN SIGNAL K1-76	112	F8
WASHER (CRANKCASE)	48	C12
WHEEL FR	70	D11
WHEEL RR	70	D11
WIRE HARNESS	118	F11

GRID

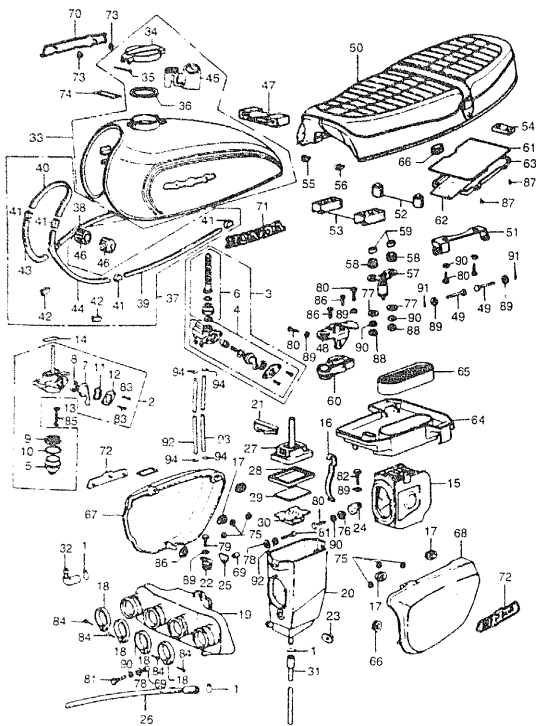
E3

CB550 ENGINE NO.; CB550E-1000001 TO SUBSEQUENT
CB550 FRAME NO.; CB550K-1000001 TO SUBSEQUENT
CB550K1 ENGINE NO.; CB550E-1029182 TO SUBSEQUENT
CB550K1 FRAME NO.; CB550K-1200001 TO SUBSEQUENT

CB550-176 ENGINE NO.; CB550E-1067334 TO SUBSEQUENT
CB550-176 FRAME NO.; CB550K-1230001 TO SUBSEQUENT

AMERICAN HONDA MOTOR CO. LTD. 1984 79

FUEL TANK • AIR CLEANER



CAUTION OR WARNING LABELS MUST BE ORDERED SEPARATELY WHEN APPLICABLE

F13374009

K = CB550
K1 = CB550K1
6 = CB550K76

Ref. No.	BLOCK NO. DESCRIPTION	F-5	CB550		FRAME SERIAL NUMBER		QTY	PART NUMBER	HONDA CODE
			K	K1	FROM	TO			
31	TUBE ASSY., DRAIN	---	6	---	---	---	1	17358-341-000	0434860
32	PIECE, AIR CLEANER JOINT	---	K	K1	6	---	1	17359-374-000	0362160
33	TANK ASSY., FUEL (FREEDOM GREEN METALLIC AND BLACK)	---	K	---	---	---	1	17050-374-000TE	0702696
	TANK ASSY., FUEL (BOSS MAROON METALLIC & BLACK)	---	K	---	---	---	1	17050-374-000TF	0702704
	TANK ASSY., FUEL (FLAKE SUNRISE ORANGE & BLACK)	---	K	---	---	---	1	17500-374-000JQ	0362178
	TANK ASSY., FUEL (FREEDOM GREEN METALLIC AND BLACK)	---	K	---	---	---	1	17500-374-000TE	0362186
	TANK ASSY., FUEL (BOSS MAROON METALLIC & BLACK)	---	K	---	---	---	1	17500-374-000TF	0362194
	TANK ASSY., FUEL (BOSS MAROON METALLIC & BLACK)	---	K	---	---	---	1	17500-374-810TF	0756544
	TANK ASSY., FUEL (FLAKE SUNRISE ORANGE & BLACK)	---	K	K1	---	---	1	17050-374-000JQ	0702688
	TANK ASSY., FUEL (FLAKE SUNRISE ORANGE & BLACK)	---	K	K1	---	---	1	17500-374-010JQ	0387621
	TANK ASSY., FUEL (CANDY JET GREEN & BLACK)	---	K1	---	---	---	1	17050-374-010KD	0702712
	TANK ASSY., FUEL (FLAKE SUNRISE ORANGE & BLACK)	---	K1	---	---	---	1	17050-374-010JQ	0702720
	TANK ASSY., FUEL (CANDY JET GREEN & BLACK)	---	K1	---	---	---	1	17500-374-010KD	0387613
	TANK ASSY., FUEL +YR2C+ (CANDY GARNET BROWN)	---	6	---	---	---	1	17050-374-010ZA	0702738
	TANK ASSY., FUEL +YR2C+ (CANDY GARNET BROWN)	---	6	---	---	---	1	17500-374-010ZA	0434878
34	CAP COMP., FUEL TANK	---	K	K1	6	---	1	17510-323-310	0253716
35	PIN B, FUEL FILLER CAP	---	K	K1	6	---	2	17514-323-300	0253724
36	GASKET, FUEL FILLER CAP	---	K	K1	6	---	1	17534-323-300	0265660
37	MOULDING SET, FUEL TANK	---	K	K1	6	---	1	17540-323-000	0254417
38	MOULDING, R. FUEL TANK	---	K	K1	6	---	1	17541-323-000	0254425
39	MOULDING, L. FUEL TANK	---	K	K1	6	---	1	17542-323-000	0254433
40	MOULDING, FUEL TANK MIDDLE	---	K	K1	6	---	1	17543-323-000	0254441

CONTENTS

TITLE	PAGE	GRID
AIR CLEANER	76	E5
AJ TERMINATOR	24	B12
BRKT	48	C12
BROKE MASTER FR	132	G6
CABLE	50	D1
CAIRSHAFT	70	B5
CARBURETOR	44	C16
CLUTCH	16	B6
CRANKCASE	40	C6
CRANKCASE COVER	16	B8
CYRANSHAFT	19	B5
CYLINDER	2	B1
CYLINDER	132	G6
EXHAUST MUFFLER	90	E9
FENDER FR	82	D7
FRAME	112	F11
FUEL TANK	76	E3
HANDLEBAR	50	D1
HEAD	2	B1
HEADLIGHT	56	D4
KICK STARTER SPINDLE	30	C3
OIL FILTER	40	C9
OIL PUMP	24	F12
SHOCK ABSORBER FR	61	F1
SPEEDOMETER	36	D4
STEERING STEM	62	D7
STEP	90	E9
SWINGARM	98	F1
TACHOMETER	56	D4
TAILLIGHT K	106	F5
TAILLIGHT K1-76	112	F8
TRANSMISSION	30	C3
TURIN SIGNAL K	108	F5
TURIN SIGNAL K1-76	112	F8
WASHER (CRANKCASE)	48	C12
WHEEL FR	70	D11
WHEEL RR	70	D11
WIRE HARNESS	118	F11

GRID

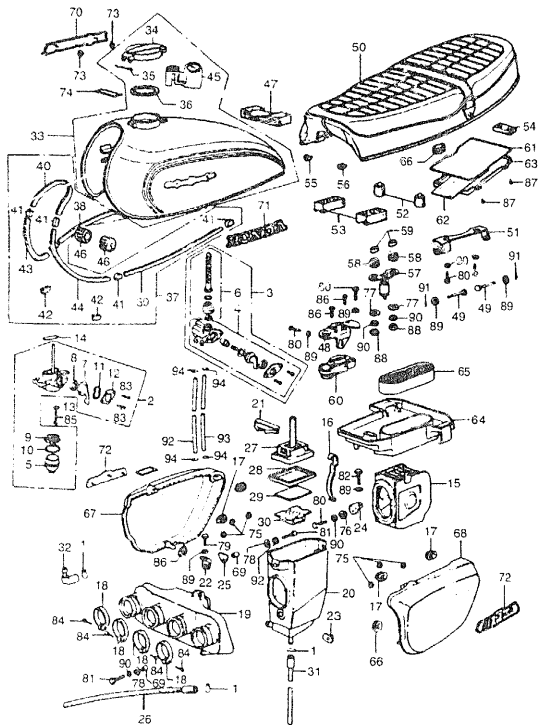
E4

CB550 ENGINE NO.; CB550E-1000001 TO SUBSEQUENT
CB550 FRAME NO.; CB550K-1000001 TO SUBSEQUENT
CB550K1 ENGINE NO.; CB550E-1029182 TO SUBSEQUENT
CB550K1 FRAME NO.; CB550K-1200001 TO SUBSEQUENT

CB550K76 ENGINE NO.; CB550E-1067334 TO SUBSEQUENT
CB550K76 FRAME NO.; CB550K-1230001 TO SUBSEQUENT

AMERICAN HONDA MOTOR CO., LTD. 1984 81

FUEL TANK • AIR CLEANER



CAUTION OR WARNING LABELS MUST BE ORDERED SEPARATELY WHEN APPLICABLE

F13374005

K = CB550
K1 = CB550K1
6 = CB550K76

P/N No.	BLOCK NO. DESCRIPTION	F-5	CB550			FRAME NUMBER		QTY REQ	PART NUMBER	HONDA CODE
			K	K1	6	FROM	TO			
67	COVER, R. SIDE (BOSS MAROON METALLIC)		K	---	---	---	---	1	83600-323-020TD	0362780
	COVER, R. SIDE (FLAKE SUNRISE ORANGE)		K	K1	6	---	---	1	83600-323-020LV	0312983
	COVER, R. SIDE (CANDY JET GREEN)		---	K1	---	---	---	1	83600-323-020BK	0255802
	COVER, R. SIDE (CANDY GARNET BROWN)		---	---	6	---	---	1	83600-323-020EE	0255471
68	COVER, L. SIDE (FREEDOM GREEN METALLIC)		K	---	---	---	---	1	83700-323-020TC	0362798
	COVER, L. SIDE (BOSS MAROON METALLIC)		K	---	---	---	---	1	83700-323-020TD	0362806
	COVER, L. SIDE (FLAKE SUNRISE ORANGE)		K	K1	---	---	---	1	83700-323-020LV	0313023
	COVER, L. SIDE (CANDY JET GREEN)		---	K1	---	---	---	1	83700-323-020BK	0255828
	COVER, L. SIDE (CANDY GARNET BROWN)		---	---	6	---	---	1	83700-323-020EE	0255497
69	COLLAR, RR. FENDER		K	K1	6	---	---	2	84705-310-000	0113456
70	EMBLEM, R. FUEL TANK		K	K1	6	---	---	1	87121-300-030	0237263
	EMBLEM, R. FUEL TANK		K	K1	6	---	---	1	87121-323-000	0297622
	EMBLEM, L. FUEL TANK		K	K1	6	---	---	1	87122-300-030	0237271
71	EMBLEM, R. FUEL TANK		K	K1	6	---	---	1	87121-300-030	0237263
	EMBLEM, L. FUEL TANK		K	K1	6	---	---	1	87122-300-030	1237271
	EMBLEM, L. FUEL TANK		K	K1	6	---	---	1	87122-323-000	L 97630
72	EMBLEM, SIDE COVER		K	K1	6	---	---	2	87124-374-000	03 2814
73	NUT, RR. ORNAMENT CLAMP		K	K1	6	---	---	4	87311-516-000	016 728
	NUT, EMBLEM CLAMP		K	K1	6	---	---	4	87311-634-600	0660 54
74	LABEL, DRIVE CAUTION		K	K1	---	---	---	1	87560-323-670A	0269340
	LABEL, DRIVE CAUTION		K	K1	---	---	---	1	87560-323-670B	0269357
	LABEL, DRIVE CAUTION *NH1* (BLACK)		K	K1	---	---	---	1	87560-323-670P*	3491610
	LABEL, DRIVE CAUTION		---	---	6	---	---	1	87560-375-680A	0398370
	MARK, DRIVE CAUTION (NH0)		---	---	6	---	---	1	87560-375-6802A	3923984
75	NUT, SPLD, 3MM		K	K1	6	---	---	6	90315-504-000	0527341
76	WASHER, 6x20		K	K1	6	---	---	1	90512-300-000	0191494

CONTENTS

TITLE	PAGE	GRID
AIR CLEANER	76	E3
ALTERNATOR	24	B12
BOLT	48	C12
BRAKE MASTER KIT	132	G6
CABLE	50	D1
CRANKSHAFT	10	B5
CARBURETOR	44	C1C
CLUTCH	16	B8
CRANKCASE	40	C8
CRANKCASE COVER	16	B5
CRANKSHAFT	10	B5
CYLINDER	2	B1
CYLINDER	132	G6
EXHAUST MUFFLER	90	E9
FENDER FR	62	D7
FRAME	118	F11
FUEL TANK	76	E3
HANDLEBAR	62	D7
HEAD	2	B1
HEADLIGHT	56	D4
KICK STARTER SPINDLE	30	C3
OIL FILTER	40	C8
OIL PUMP	24	B12
SHOCK ABSORBER FR	98	F1
SPEEDOMETER	56	D4
STEERING STEM	62	D7
STEP	90	E9
SWINGARM	98	F1
TACHOMETER	56	D4
TAILLIGHT K	106	F5
TAILLIGHT K1-76	112	F8
TRANSMISSION	30	C3
TURN SIGNAL K	106	F5
TURN SIGNAL K1-76	112	F8
WASHER (CRANKCASE)	48	C12
WHEEL FR	70	D11
WHEEL RR	70	D11
WIRE HARNESS	118	F11

AMERICAN HONDA MFG. CO. LTD. 1984

CB550K76 ENGINE NO.; CB550E-1067334 TO SUBSEQUENT
CB550K176 FRAME NO.; CB550K-1230001 TO SUBSEQUENT

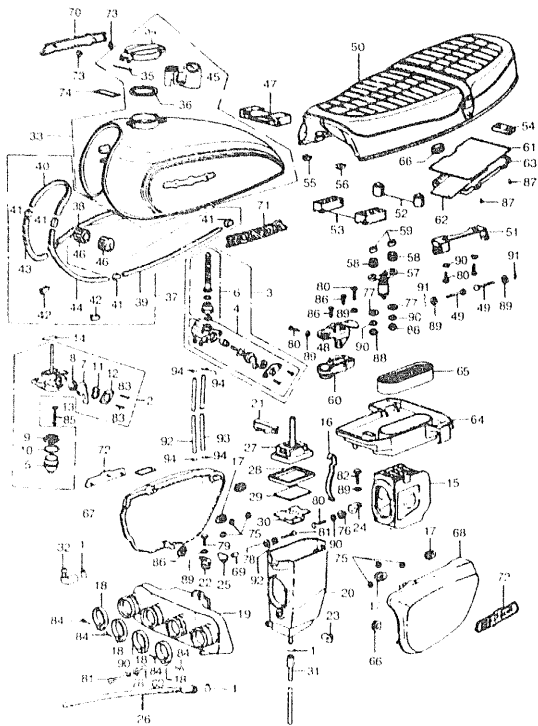
AMERICAN HONDA MOTOR CO. LTD. 1984

CB550 ENGINE NO.; CB550E-1000001 TO SUBSEQUENT
CB550 FRAME NO.; CB550K-1000001 TO SUBSEQUENT
CB550K1 ENGINE NO.; CB550E-1029182 TO SUBSEQUENT
CB550K1 FRAME NO.; CB550K-1200001 TO SUBSEQUENT

GRID

E6

FUEL TANK • AIR CLEANER



CAUTION: ON WARNING LABELS MUST BE ORDERED SEPARATELY WHEN APPLICABLE

© 1992

K - CB550
K1 - CB550K1
G - CB550K76

Part No. BLOCK NO. F5

DESCRIPTION

77	WASHER, TANK COLLAR LOCKING	K	K1	6						
	WASHER, PLAIN, 6MM	K	K1	6						
78	WASHER, 18MM	K	K1	6						
	WASHER, 18MM	K	K1	6						
79	BOLT, HEX., 6X12	K	K1	6						
	BOLT, HEX., 6X12	K	K1	6						
80	BOLT, HEX., 6X16	K	K1	6						
	BOLT, HEX., 6X16	K	K1	6						
	BOLT, HEX., 6X16	K	K1	6						
	BOLT, HEX., 6X16	K	K1	6						
	BOLT, HEX., 6X16	K	K1	6						
	BOLT, HEX., 6X16	K	K1	6						
81	BOLT, HEX., 6X25	K	K1	6						
	BOLT, HEX., 6X25	K	K1	6						
82	BOLT, HEX., 6X40	K	K1	6						
	BOLT, HEX., 6X40	K	K1	6						
	BOLT, HEX., 6X40	K	K1	6						
83	SCREW, PAN, 5X6	K	K1	6						
84	SCREW, PAN, 4X20	K	K1	6						
85	SCREW, PAN, 6X32	K	K1	6						
	SCREW, PAN, 6X32	K	K1	6						
86	SCREW, FLAT, 6X16	K	K1	6						
87	SCREW, TAPPING, 5X8	K	K1	6						
88	NUT, HEX., 6MM	K	K1	6						
	NUT, HEX., 6MM	K	K1	6						
	NUT, HEX., 6MM	K	K1	6						
	NUT, HEX., 6MM	K	K1	6						
	NUT, HEX., 6MM	K	K1	6						
	NUT, HEX., 6MM	K	K1	6						
89	WASHER, PLAIN, 6MM	K	K1	6						

CH550
C
H
5
5
0
K

K
1
6

K
K1
6

K
K1
6

K
K1
6

K
K1
6

K
K1
6

K
K1
6

K
K1
6

K
K1
6

K
K1
6

K
K1
6

K
K1
6

K
K1
6

K
K1
6

Q
T
Y

R
E
Q

P
A
R
T

N
U
M
B
E
R

F
R
O
M

T
O

F
R
O
M

T
O

F
R
O
M

T
O

F
R
O
M

T
O

F
R
O
M

T
O

F
R
O
M

T
O

F
R
O
M

T
O

F
R
O
M

T
O

F
R
O
M

T
O

F
R
O
M

T
O

F
R
O
M

T
O

F
R
O
M

T
O

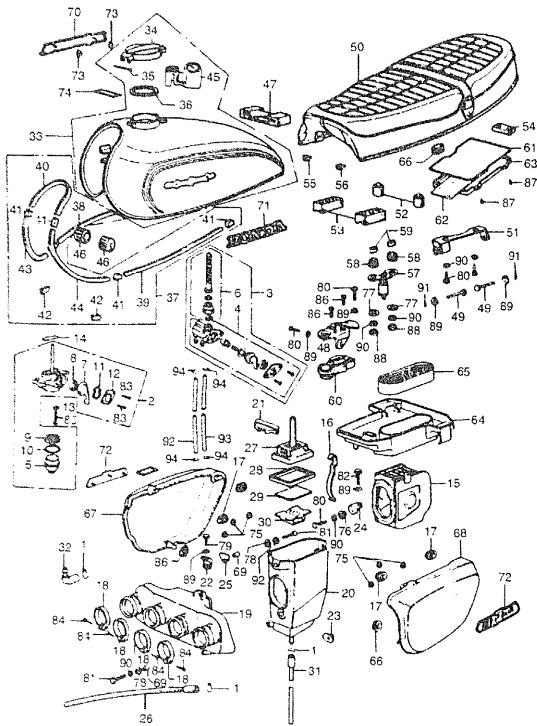
F
R
O
M

T
O

CONTENTS

TITLE	PAGE	GRID
INDEX LABELS	20	2-2
ASSEMBLY	25	2-2
INDEX	50	2-2
EXPLODED MASTER FIG.	51	2-2
INDEX	52	2-2
INDEX	53	2-2
INDEX	54	2-2
INDEX	55	2-2
INDEX	56	2-2
INDEX	57	2-2
INDEX	58	2-2
INDEX	59	2-2
INDEX	60	2-2
INDEX	61	2-2
INDEX	62	2-2
INDEX	63	2-2
INDEX	64	2-2
INDEX	65	2-2
INDEX	66	2-2
INDEX	67	2-2
INDEX	68	2-2
INDEX	69	2-2
INDEX	70	2-2
INDEX	71	2-2
INDEX	72	2-2
INDEX	73	2-2
INDEX	74	2-2
INDEX	75	2-2
INDEX	76	2-2
INDEX	77	2-2
INDEX	78	2-2
INDEX	79	2-2
INDEX	80	2-2
INDEX	81	2-2
INDEX	82	2-2
INDEX	83	2-2
INDEX	84	2-2
INDEX	85	2-2
INDEX	86	2-2
INDEX	87	2-2
INDEX	88	2-2
INDEX	89	2-2
INDEX	90	2-2
INDEX	91	2-2
INDEX	92	2-2
INDEX	93	2-2
INDEX	94	2-2

FUEL TANK • AIR CLEANER



CAUTION OR WARNING LABELS MUST BE ORDERED SEPARATELY WHEN APPLICABLE

F13374005

K = CB550
K1 = CB550K1
6 = CB550K76

Part No.	BLOCK NO.	F-5	CB550 K			FRAME SERIAL NUMBER		QTY REQ	PART NUMBER	HONDA CODE
			K	K1	6	FROM	TO			
89	WASHER, PLAIN, 6MM		K	K1	6			6	94101-06080	3136074
	WASHER, PLAIN, 6MM		K	K1	6			6	94101-06800	0345900
90	WASHER, SPRING, 6MM		K	K1	6			7	94111-06000	0058974
91	PIN, LOCK, 6MM		K	K1	6			2	94251-06000	0058487
92	TUBE, 5.3x180 (BULK HOSE: 95001-55008-40M)		K					1	95001-55180-40	0341636
	TUBE, 5.3x170 (BULK HOSE: 95001-55008-40M)		K		6			1	95001-55170-40	0356667
93	TUBE, 5.3x260 (BULK HOSE: 95001-55008-40M)		K					1	95001-55260-40	0330258
	TUBE, 5.3x300 (BULK HOSE: 95001-55008-40M)		K					1	95001-55300-40	0255414
	TUBE, FUEL, 5.3x280		K		6			1	17516-ME0-000	1436096
	TUBE, 5.3x280 (BULK HOSE: 95001-55008-40M)		K		6			1	95001-55280-40	0299776
94	CLIP, TUBE, Ø10		K		6			4	95002-02100	0250985

CONTENTS

TITLE	PAGE	GRID
AIR CLEANER	70	E3
ALTERNATOR	24	B10
BOIT	48	C12
BRACKET MASTER FR	132	G6
CABLE	52	J1
CRANKSHAFT	10	B0
CARBURETOR	44	C10
CLUTCH	16	B0
CRANKCASE	40	C0
CRANKCASE COVER	16	B0
CRANKSHAFT	10	B0
CYLINDER	2	B1
CYLINDER	132	G6
EXHAUST MUFFLER	60	E5
FENDER FR	62	D7
FRAME	12	F11
FUEL TANK	78	E5
HANDLEBAR	50	E1
HEAD	2	B1
HEADLIGHT	56	D4
KICK STARTER SPINDLE	30	C0
OIL FILTER	40	C8
OIL PUMP	24	B12
SHOCK ABSORBER RR	98	F7
SPEEDOMETER	56	D4
STEERING STEM	62	D7
STEP	90	E9
SWINGARM	98	F7
TACHOMETER	56	D4
TAILLIGHT K1-76	112	F8
TAILLIGHT K	106	F5
TAILLIGHT K1-76	112	F8
TRANSMISSION	30	C0
TURN SIGNAL K	106	F5
TURN SIGNAL K1-76	112	F8
WASHER (CRANKCASE)	48	C12
WHEEL FR	70	D1
WHEEL RR	70	D1
WIRE HARNESS	118	F11

GRID

E8

© AMERICAN HONDA MOTOR CO., LTD. 1984

E8

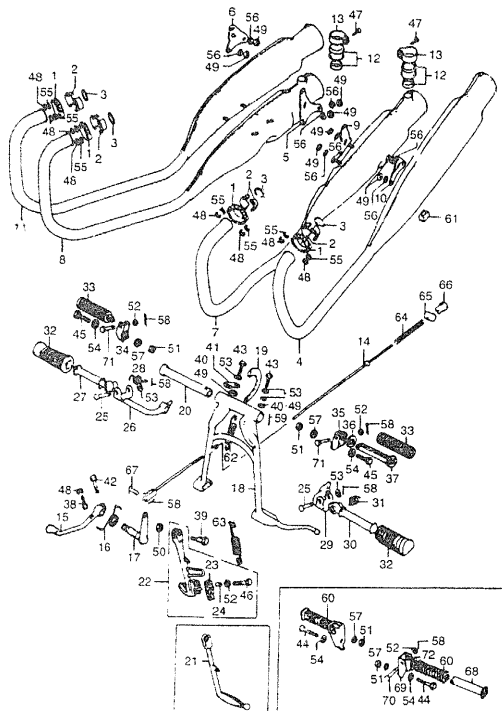
© AMERICAN HONDA MOTOR CO., LTD. 1984

E8

CB550 ENGINE NO.; CB550E-1000001 TO SUBSEQUENT
CB550 FRAME NO.; CB550K-1000001 TO SUBSEQUENT
CB550K1 ENGINE NO.; CB550E-1029182 TO SUBSEQUENT
CB550K1 FRAME NO.; CB550K-1200001 TO SUBSEQUENT

CB550K76 ENGINE NO.; CB550E-1067334 TO SUBSEQUENT
CB550K76 FRAME NO.; CB550K-1230001 TO SUBSEQUENT

EXHAUST MUFFLER • STEP



F1337406E

K = CB550
K1 = CB550K1
6 = CB550K76

Ref No.	BLOCK NO. DESCRIPTION	F-6	CB550		FRAME SERIAL NUMBER	QTY REQ	PART NUMBER	HONDA CODE
			K	K1				
			1	6				
1	JOINT, EX. PIPE		K	K1	---	4	18231-323-000	0254474
	JOINT, EX. PIPE		---	6	---	4	18231-333-010	0296178
2	COLLAR, EX. JOINT		K	K1	---	8	18233-107-000	0213538
3	GASKET, EX. PIPE		K	K1	---	4	18291-MM5-650	3246535
	GASKET, EX. PIPE		---	6	1247247	4	18291-MM5-650	3246535
	GASKET, EX. PIPE		K	K1	---	4	18291-216-000	0028241
	GASKET, EX. PIPE		---	6	1247248	4	18291-216-000	0028241
	GASKET, EX. PIPE		---	6	1247248	4	18291-390-000	0402420
4	MUFFLER COMP. 1, EX.		K	K1	---	1	18300-323-060	0281063
	MUFFLER COMP. 1, EX.		K	K1	6	1	18300-374-700	0434886
	MUFFLER COMP. 1, EX.		K	K1	6	1	18300-374-707	1492693
5	BRACKET B, R. MUFFLER		K	K1	6	1	18340-323-040	0254490
6	BRACKET A, R. MUFFLER		K	---	---	1	18345-323-010	0254508
	BRACKET A, R. MUFFLER		---	K1	6	1	18345-374-670	0387647
7	MUFFLER COMP. 2, EX.		K	K1	---	1	18350-323-060	0281071
	MUFFLER COMP. 2, EX.		K	K1	6	1	18350-374-700	0434894
	MUFFLER COMP. 2, EX.		K	K1	6	1	18350-374-707	1493840
8	MUFFLER COMP. 3, EX.		K	K1	---	1	18400-323-070	0280883
	MUFFLER COMP. 3, EX.		K	K1	6	1	18400-374-700	0434902
	MUFFLER COMP. 3, EX.		K	K1	6	1	18400-374-707	1494053
9	BRACKET B, L. MUFFLER		K	K1	6	1	18430-323-040	0254540
10	BRACKET A, L. MUFFLER		K	---	---	1	18435-323-010	0254532
	BRACKET A, L. MUFFLER		---	K1	6	1	18435-374-670	0387654
11	MUFFLER COMP. 4, EX.		K	K1	---	1	18450-323-070	0280875
	MUFFLER COMP. 4, EX.		K	K1	6	1	18450-374-700	0434910
	MUFFLER COMP. 4, EX.		K	K1	6	1	18450-374-707	1494285
12	TUBE, MUFFLER CONNECTING		K	K1	6	2	18473-323-000	0254565
13	BAND, MUFFLER CONNECTING		K	K1	6	2	18476-323-000	0254573
14	ROD, RR. BRAKE		K	K1	6	1	43451-323-010	0257923
	ROD, RR. BRAKE		K	K1	6	1	43451-323-020	0487991
15	PEDAL, BRAKE		K	K1	6	1	46500-374-000	0366476
16	SPRING, BRAKE PEDAL		K	K1	6	1	46514-323-020	0256321

AMERICAN HONDA MOTOR CO. LTD. 1984

CONTENTS

TITLE	PAGE	GRID
AIR CLEANER	78	E9
ALTERNATOR	24	B12
BOLT	48	C12
BRAKE MASTER FR	132	G6
CABLE	10	D1
CAMSHAFT	10	B5
CARBURETOR	44	C10
CLUTCH	16	E8
CRANKCASE	40	C8
CRANKCASE COVER	16	E8
CRANKSHAFT	10	B5
CYLINDER	2	B1
CYLINDER	132	G6
EXHAUST MUFFLER	90	E9
FENDER FR	62	D7
FRAME	118	F11
FUEL TANK	30	C3
HANDLEBAR	50	D1
HEAD	2	B1
HEADLIGHT	56	D4
KICK STARTER SPINDLE	30	C3
OIL FILTER	40	C8
OIL PUMP	24	B12
SHOCK ABSORBER FR	98	F1
SPEEDOMETER	56	D4
STEERING STEM	69	D7
STEP	90	E9
SWINGARM	98	F1
TACHOMETER	56	D4
TAILLIGHT K	106	F5
TAILLIGHT K1-76	112	F8
TRANSMISSION	30	C3
TURN SIGNAL K	106	F5
TURN SIGNAL K1-76	112	F8
WASHER (CRANKCASE)	48	C12
WHEEL FR	70	D11
WHEEL RR	70	D11
WIRE HARNESS	118	F11

GRID

E9

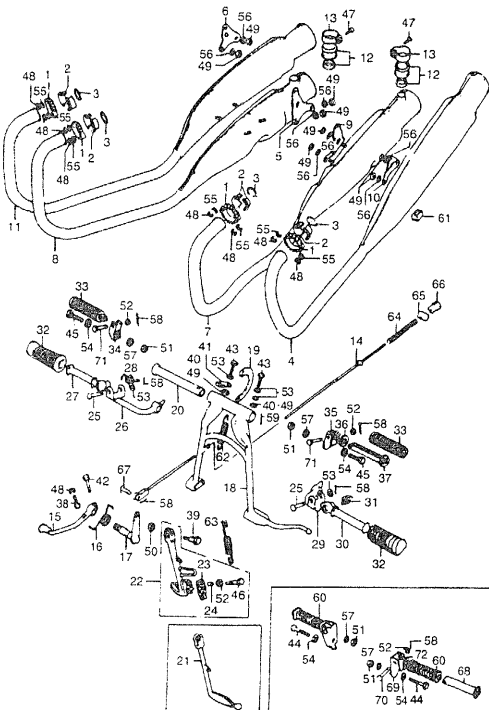
AMERICAN HONDA MOTOR CO. LTD. 1984

CB550 ENGINE NO.; CB550E-1000001 TO SUBSEQUENT
CB550 FRAME NO.; CB550K-1000001 TO SUBSEQUENT
CB550K1 ENGINE NO.; CB550E-1029182 TO SUBSEQUENT
CB550K1 FRAME NO.; CB550K-1200001 TO SUBSEQUENT

CB550K176 ENGINE NO.; CB550E-1067334 TO SUBSEQUENT
CB550K176 FRAME NO.; CB550K-1230001 TO SUBSEQUENT

E9

EXHAUST MUFFLER • STEP



F13374008

K = CB550
K1 = CB550K1
6 = CB550K76

Flt. No.	BLOCK NO. DESCRIPTION	F-6	CB550			FRAME SERIAL NUMBER		P R T Q	PART NUMBER	HONDA CODE
			K	K1	6	FROM	TO			
17	SHAFT COMP., RR. BRAKE PIVOT	K	K1	6	-----	-----	1	46515-323-010	0253914
18	STAND COMP., MAIN	K	K1	6	-----	-----	1	50500-323-000B	025405
19	PLATE, MAIN STAND SPRING	K	K1	6	-----	-----	1	50523-300-010	0192203
20	PIPE, MAIN STAND PIVOT	K	K1	6	-----	-----	1	50526-300-000	0192211
21	BAR, SIDE STAND	K	---	---	-----	-----	1	50530-323-000B	0254052
22	BAR ASSY., SIDE STAND	---	K1	6	-----	-----	1	50540-374-670	0387811
23	RUBBER, STAND	---	K1	6	-----	-----	1	50548-356-700	0382648
24	COLLAR, STAND RUBBER SETTING	---	K1	6	-----	-----	1	50549-356-700	0382655
25	PIN, STEP BAR JOINT	K	---	---	-----	-----	2	50603-033-000	0019349
26	BAR COMP., R. STEP	K	K1	6	-----	-----	1	50615-323-670B	0254060
27	ARM COMP., R. STEP	K	K1	6	-----	-----	1	50616-323-670B	0254078
28	SPRING, R. FOOTPEG RETURN	K	K1	6	-----	-----	1	50617-283-000	0077107
29	BAR COMP., L. STEP	K	K1	6	-----	-----	1	50641-323-670B	0254987
30	ARM COMP., L. STEP	K	K1	6	-----	-----	1	50642-323-670B	0254995
31	SPRING, L. STEP RETURN	K	K1	6	-----	-----	1	50644-283-000	0077149
32	RUBBER, STEP	K	K1	6	-----	-----	2	50661-310-000	0112953
33	RUBBER, PILLION FOOTPEG	---	K1	6	-----	-----	2	50710-377-000	0382291
	RUBBER, PILLION FOOTPEG	---	K1	6	-----	-----	2	50716-371-660	0470880
34	BRAACKET, R. PILLION FOOTPEG	---	K1	6	-----	-----	1	50711-374-670	0387829
35	BRACKET, L. PILLION FOOTPEG	---	K1	6	-----	-----	1	50712-374-670	0387837
36	WASHER, PILLION STEP	---	K1	6	-----	-----	2	50712-377-000	0382309
37	BAR, PILLION FOOTPEG	---	K1	6	-----	-----	2	50715-M46-000	3218203
	BAR, PILLION FOOTPEG	---	K1	6	-----	-----	2	50715-377-000	0382317
38	BOLT, BRAKE PEDAL ADJUSTING	K	K1	6	-----	-----	1	90104-323-000	0254102
39	SCREW, SIDE STAND PIVOT	K	K1	6	-----	-----	1	90108-283-000	0078717
40	NUT, FLANGE, 8MM	---	6	---	1252519	-----	2	90236-300-000	0189183
	NUT, FLANGE, 8MM	---	6	---	1252519	-----	2	94050-08000	0481143
	NUT, FLANGE, 8MM	---	6	---	1252519	-----	2	94050-08000-0S	0678011
41	WASHER, BATTERY BREATHER TUBE GUIDE	K	K1	6	-----	-----	1	90514-323-000	0258228
42	BOLT, HEX., 8X28	K	K1	6	-----	-----	1	92000-08028-0A	0155143
	BOLT, HEX., 8X28	K	K1	6	-----	-----	1	92101-08028-0A	2298347
43	BOLT, HEX., 8X40	K	K1	6	-----	-----	2	92000-08040-0A	0192781

CONTENTS

TITLE	PAGE	GRID
AIR CLEANER	78	E3
ALTERNATOR	24	B12
BOLT	48	C12
BRAKE MASTER FR.	132	G6
CABLE	59	H1
CAMSHAFT	10	B5
CARBURETOR	44	C10
CLUTCH	16	B8
CRANKCASE	40	C8
CRANKCASE COVER	16	B8
CRANKSHAFT	10	B5
CYLINDER	2	B1
CYLINDER	132	G6
EXHAUST MUFFLER	90	E9
FENDER FR.	62	D7
FRAME	118	F11
FUEL TANK	78	E3
HANDLEBAR	50	D1
HEAD	2	B1
HEADLIGHT	56	D4
HICK STARTER SPINDLE	30	C3
OIL FILTER	40	B9
OIL PUMP	24	B12
SHOCK ABSORBER RR.	98	F1
SPEEDOMETER	56	D4
STEERING STEM	62	D7
STEP	90	E9
SWINGARM	98	F1
TACHOMETER	56	D4
TAILLIGHT K	106	F5
TAILLIGHT K1-76	112	F8
TRANSMISSION	20	C2
TURN SIGNAL K	106	F5
TURN SIGNAL K1-76	112	F8
WASHER (CRANKCASE)	48	C12
WHEEL FR.	70	D11
WHEEL RR.	70	D11
WIRE HARNESS	118	F11

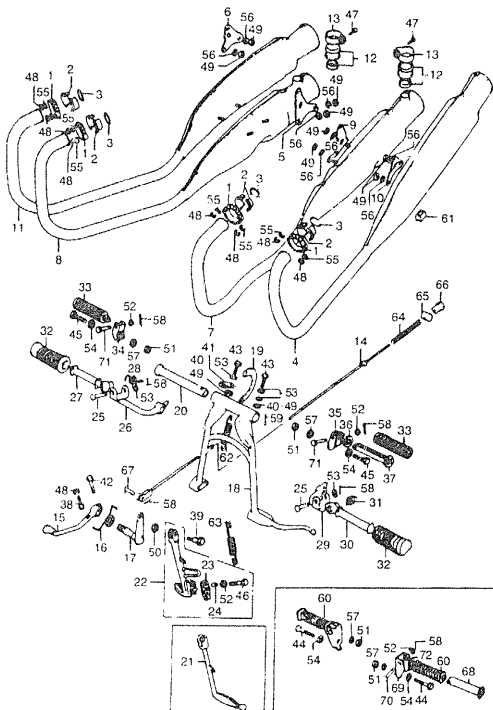
GRID

E10

CB550 ENGINE NO.; CB550E-1000001 TO SUBSEQUENT
CB550 FRAME NO.; CB550K-1000001 TO SUBSEQUENT
CB550K1 ENGINE NO.; CB550E-1029182 TO SUBSEQUENT
CB550K1 FRAME NO.; CB550K-1200001 TO SUBSEQUENT

CB550K76 ENGINE NO.; CB550E-1067334 TO SUBSEQUENT
CB550K76 FRAME NO.; CB550K-1230001 TO SUBSEQUENT

EXHAUST MUFFLER • STEP



F 13774006

K = CB550
K1 = CB550K1
6 = CB550K76

Ref. No.	BLOCK NO. DESCRIPTION	F-6	CB550			FRAME SERIAL NUMBER	QTY REQD	PART NUMBER	HONDA CODE
			K	K1	6				
43	BOLT, HEX., 8X40		K	K1	6	-----	2	92101-08040-0A	3839321
44	BOLT, HEX., 10X35		K	---	---	-----	2	92000-10035-0A	0255356
45	BOLT, HEX., 10X40		---	K1	6	-----	1	92000-10040-0A	0175877
46	BOLT, HEX., 6X28		---	K1	6	-----	2	92101-10040-0A	4562955
47	SCREW, PAN, 5X16		K	K1	6	-----	2	93000-06028	0188342
48	NUT, HEX., 6MM		---	K1	6	-----	1	93000-06028-0A	2386084
49	NUT, HEX., 6MM		---	K1	6	-----	2	93500-05016-0G	0256933
50	NUT, HEX., 6MM		---	K1	6	-----	9	90310-KA3-711	1553916
51	NUT, HEX., 6MM		---	K1	6	-----	9	94000-06000-0S	1391283
52	NUT, HEX., 6MM		---	K1	6	-----	9	94001-06000	0058016
53	NUT, HEX., 6MM		---	K1	6	-----	9	94001-06000-0S	0156067
54	NUT, HEX., 6MM		---	K1	6	-----	9	94001-06008-0S	2829414
55	NUT, HEX., 6MM		---	K1	6	-----	9	94001-06200-0S	2043255
56	NUT, HEX., 6MM		---	K1	6	-----	9	94030-06000	1642693
57	NUT, HEX., 8MM		---	K1	---	-----	10	94001-08000-0S	0167338
58	NUT, HEX., 8MM		---	6	---	1252519	10	94001-08000-0S	0167338
59	NUT, HEX., 8MM		---	6	---	1252519	8	94001-08000-0S	0167338
60	NUT, HEX., 10MM		---	K1	6	-----	1	94001-10000-0S	0145391
61	NUT, HEX., 10MM		---	K1	6	-----	2	94030-10000	0223024
62	WASHER, PLAIN, 6MM		---	K1	6	-----	2	94101-06000	0059071
63	WASHER, PLAIN, 6MM		---	K1	6	-----	3	94101-06000	0059071
64	WASHER, PLAIN, 6MM		---	K1	6	-----	2	94101-06080	3136074
65	WASHER, PLAIN, 6MM		---	K1	6	-----	3	94101-06080	3136074
66	WASHER, PLAIN, 6MM		---	K1	6	-----	2	94101-06800	0345900
67	WASHER, PLAIN, 6MM		---	K1	6	-----	3	94101-06800	0345900
68	WASHER, PLAIN, 8MM		---	K1	---	-----	5	94101-08000	0059097
69	WASHER, PLAIN, 8MM		---	6	---	1252518	5	94101-08000	0059097
70	WASHER, PLAIN, 8MM		---	6	---	1252519	4	94101-08000	0059097
71	WASHER, PLAIN, 10MM		---	K1	6	-----	2	94102-10000	0172551
72	WASHER, SPRING, 6MM		---	K1	6	-----	8	94111-06000	0058974
73	WASHER, SPRING, 8MM		---	K1	6	-----	8	94111-08000	0058982
74	WASHER, SPRING, 8MM		---	K1	6	-----	2	94111-10000	0059006
75	PIN, COTTER 1.6X15		---	K1	6	-----	5	94201-16150	0058313
76	PIN, COTTER 1.6X25		---	K1	6	-----	5	94201-16250	0058339
77	PIN, COTTER 2.5MM		---	K1	6	-----	1	94201-25250	0145581

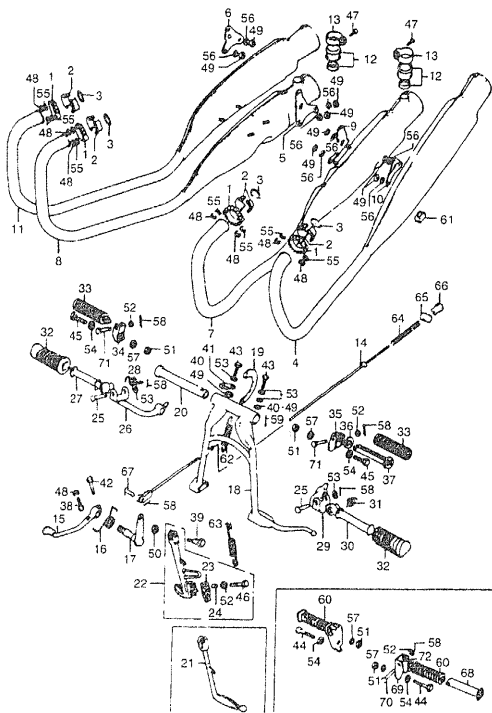
CONTENTS

TITLE	PAGE	GRID
AIR CLEANER	76	F3
AIR FILTERATOR	25	B12
BOLT	48	C10
BRAKE MASTER FR	152	G6
CABLE	56	D7
CAMSHAFT	10	B5
CARBURATOR	44	C10
CLUTCH	16	B8
CYLINDER	40	C8
CRANKCASE COVER	16	B8
CRANKSHAFT	10	B5
CYLINDER	2	B1
EXHAUST MUFFLER	132	G4
FENDER FR	90	E9
FRAME	118	F11
FUEL TANK	62	D7
HANDLEBAR	50	D1
HEAD	2	B1
HEADLIGHT	56	D4
HIGH SPEED AIR SPINDLE	30	C3
OIL FILTER	40	C8
OIL PUMP	24	B12
SHOCK ABSORBER, RH	98	F1
SPEEDOMETER	56	D4
STEERING STEM	62	D7
STEP	90	E9
SWINGARM	98	F1
TACHOMETER	56	D4
TAILLIGHT K	106	F5
TAILLIGHT K1-76	112	F8
TRANSMISSION	30	C3
TURN SIGNAL K	106	F5
TURN SIGNAL K1-76	112	F8
WASHER (CRANKCASE)	48	C12
WHEEL FR	70	D11
WHEEL RR	70	D11
WIRE HARNESS	118	F11

GRID

E11

EXHAUST MUFFLER • STEP



F15374006

Rel. No.	BLOCK NO. DESCRIPTION	F-6	CB550 K			FRAME SERIAL NUMBER FROM TO	QTY	P/PRT NUMBER	HONDA CODE
			K	K1	6				
			K	K1	6				
59	PIN, COTTER 2.5MM		K	K1	6		1	94201-25300	0156091
60	RUBBER, STEP		K	--	--		2	95011-31000	0255687
61	RUBBER A, STAND STOPPER		K	K1	6		1	95011-61000	0255638
62	SPRING G, MAIN STAND SPRING G, MAIN STAND		K	K1	6		1	95014-71701	0341875
63	SPRING D, SIDE STAND SPRING D, SIDE STAND		K	K1	6		1	95014-72401	0299875
64	SPRING A, BRAKE ROD SPRING, BRAKE ROD		K	K1	6		1	95014-72100	0271056
65	JOINT, BRAKE ARM JOINT, BRAKE ARM		K	--	--		1	95015-32000	0257758
66	NUT B, BRAKE ROD ADJ.		K	K1	6		1	95015-42000	0257766
67	PIN B, BRAKE ROD JOINT		K	K1	6		1	95015-52000	0257774
68	BAR B, PILLION STEP		K	--	--		2	95015-62000	0257782
69	BRACKET B, PILLION STEP		K	--	--		2	95015-72100	0257725
70	PIN B, PILLION FOOTPEG		K	--	--		2	95015-82000	0257733
71	PIN C, PILLION FOOTPEG		--	K1	6		2	95015-83000	0274118
72	WASHER, FOOTPEG		K	--	--		2	95015-91000	0257741

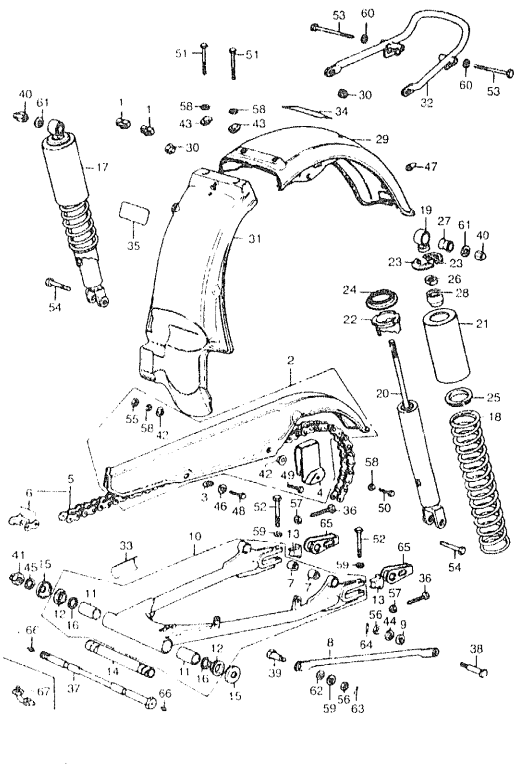
CONTENTS

TITLE	PAGE	GRID
AIR CLEANER	76	E3
ALTERNATOR	24	B12
BOLT	48	C12
BRAKE MASTER FR	130	G6
CABLE	50	D1
CAMSHAFT	10	B5
CARBURETOR	44	C10
CLUTCH	76	B8
CRANKCASE	40	C8
CRANKCASE COVER	16	B3
CRANKSHAFT	10	B5
CYLINDER	2	B1
CYLINDER	100	G6
EXHAUST MUFFLER	90	E9
FENDER FR	62	D7
FRAME	116	F11
FUEL TANK	76	E3
HANDLEBAR	50	D1
HEAD	2	B1
HEADLIGHT	56	D4
KICK STARTER SPINDLE	36	C3
OIL FILTER	40	C8
OIL PUMP	24	B12
SHOCK ABSORBER FR	98	F1
SPEEDOMETER	24	B4
STEERING STEM	62	D7
STEP	90	E9
SWINGARM	98	F1
TACHOMETER	96	E4
TAILLIGHT K	106	F5
TAILLIGHT K1-76	112	F8
TRANSMISSION	20	C3
TURN SIGNAL K	106	F5
TURN SIGNAL K1-76	112	F8
WASHER (CRANKCASE)	48	C12
WHEEL FR	76	D11
WHEEL RR	76	D11
WIRE HARNESS	116	F11

GRID

E12

SWINGARM • REAR SHOCK ABSORBER



CAUTION ON WARNING LIGHTS MUST BE ORDERED SEPARATELY WHEN APPLICABLE

F 13374002

Part No	BLOCK NO DESCRIPTION	F-7	CH850		C B S O K	Q T Y	FRAME SERIAL NUMBER FROM TO	PART NUMBER	HONDA CODE
			K	K1					
1	GROMMET, CABLE		K	K1	7	2		32985-300-000	0255554
			--	--	6	3		32985-300-000	0255554
2	CASE, DRIVE CHAIN		K	K1	6	1		40510-323-000B	0254789
3	COLLAR, CHAIN CASE		K	K1	6	1		40511-300-000	0191429
4	PLATE, DRIVE CHAIN CASE		K	K1	6	1		40512-300-000	0222877
5	CHAIN, DRIVE (100L) (DA1DD)		K	K1	6	1		40530-341-305	0302042
6	JOINT, DRIVE CHAIN (STAKING TYPE)		K	K1	6	1		40531-341-305	0301002
7	RUBBER, RR. SWINGARM, LOWER		K	K1	6	2		40548-268-000	0049361
8	ARM, RR. BRAKE STOPPER		K	K1	6	1		43431-340-000	0265942
9	RUBBER, STOPPER ARM CUSHION		K	K1	6	1		43434-286-000	0172726
10	SWINGARM COMP., RR.		K	K1	--	1		52100-323-040B	0255133
	SWINGARM ASSY., RR. *NH1* (BLACK)		--	--	6	1		52110-374-700ZA	0434969
11	BUSH, RR. SWINGARM PIVOT		F	K1	--	2		52108-300-300	0222901
	BUSH, SWINGARM PIVOT		--	--	6	2		52108-457-300	0367474
12	BUSH, RR. SWINGARM PIVOT THRUST		K	K1	--	2		52109-283-300	0133298
13	STOPPER, CHAIN ADJUSTER		K	K1	6	2		52136-300-000	0191460
14	COLLAR, RR. SWINGARM CENTER		K	K1	--	1		52141-300-000	0191478
	COLLAR, RR. SWINGARM CENTER		--	--	6	1		52141-390-000	0403055
	COLLAR, RR. SWINGARM CENTER		--	--	6	1		52141-390-010	0753855
15	CAP, DUST SEAL		K	K1	--	2		52144-283-010	0078212
	CAP, DUST SEAL		--	--	6	2		52144-362-000	0342659
16	RING, RR. SWINGARM FELT		K	K1	6	2		52145-283-000	0078220
17	SHOCK ABSORBER ASSY., RR.		K	K1	--	2		52400-323-670XW	0303588
	SHOCK ABSORBER ASSY., RR.		K	K1	6	2		52400-390-681XW	0434977
18	SPRING, RR. SHOCK		K	K1	6	2		52401-323-000	0255158
19	JOINT, UPPER		K	K1	6	2		52403-312-000	0245829
20	DAMPER COMP., RR.		K	K1	6	2		52410-323-670	0303404
	DAMPER ASSY., RR.		--	--	6	2		52410-375-611	0431296
21	CASE, RR. DAMPER UPPER		K	K1	6	2		52421-300-000XW	0191395
22	ADJUSTER, RR. SHOCK SPRING		K	K1	--	2		52422-529-000	0295514
	ADJUSTER, SPRING (SHOWA)		--	--	6	2		52422-390-003	0403089
23	STOPPER, SPRING SEAT (SHOWA)		K	K1	6	4		52424-331-003	0245555

AMERICAN MOTORCYCLE CO. LTD. 1988

CONTENTS

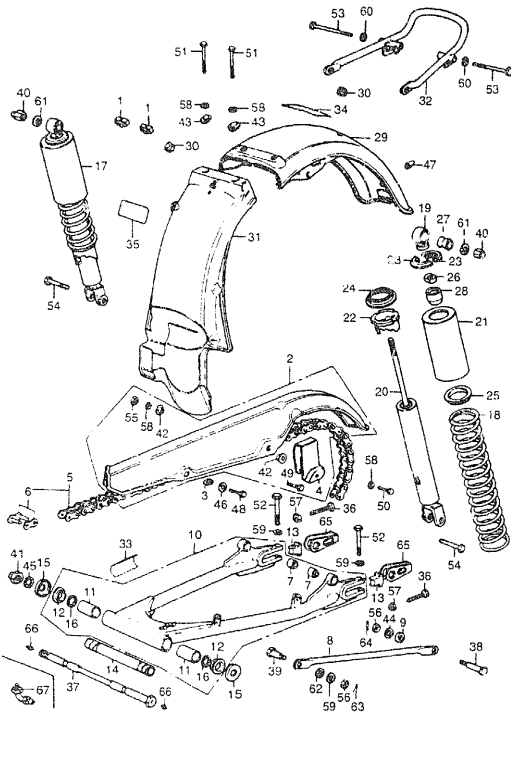
TITLE	PAGE	GRID
CELL CASE	76	F 3
ALTERNATOR	24	B12
BIKE	45	C12
ENGINE MASTER KEY	110	D9
FRAME	90	D4
CAMSHAFT	16	B5
CARBURETOR	44	C10
CLUTCH	16	B6
CRANKCASE COVER	20	C4
CRANKCASE	16	B9
CRANKSHAFT	10	B5
CYRINDER	7	B3
CYRINDER	132	G6
EXHAUST MUFFLER	90	F4
FENDER FRS	62	F7
FRAME	110	F10
FUEL TANK	28	F3
HAND REBAR	50	D3
HEAD	2	B1
HEADLIGHT	96	D4
KICK STARTER SPINDLE	90	C13
CON FR TEE	40	G8
OIL PUMP	23	B12
SHOCK ABSORBER FR	90	F1
STEERING TEE	50	D4
STEERING STEM	62	F7
STEP	90	D9
SWINGARM	90	F1
TACHOMETER	50	D4
TAILLIGHT K	106	F4
TAILLIGHT K176	112	F8
TRANSMISSION	30	C3
TURN SIGNAL K	106	F4
TURN SIGNAL K176	112	F8
WASHER MOTOR CASE	46	C12
WHEEL FR	70	D11
WHEEL RR	70	D11
WIRE HARNESS	110	F10

CB550 ENGINE NO.; CB550E-1000001 TO SUBSEQUENT
 CB550 FRAME NO.; CB550K-1000001 TO SUBSEQUENT
 CB550K* ENGINE NO.; CB550K-1029182 TO SUBSEQUENT
 CB550K1 FRAME NO.; CB550K-1000001 TO SUBSEQUENT

CB550K176 ENGINE NO.; CB550E-1067334 TO SUBSEQUENT
 CB550K176 FRAME NO.; CB550K-1230001 TO SUBSEQUENT

F 1

SWINGARM • REAR SHOCK ABSORBER



CAUTION OR WARNING LABELS MUST BE ORDERED SEPARATELY WHEN APPLICABLE

F31374007

K = CB550
K1 = CB550K1
6 = CB550K76

Ref. No.	BLOCK NO. DESCRIPTION	F-7	CB550 K			FRAME SERIAL NUMBER FROM TO	QTY	PART NUMBER	HONDA CODE
			K	K1	6				
24	SEAT, RR. SHOCK SPRING LOWER	---	K	K1	6	---	2	52458-329-000	0293522
25	° AT, RR. SHOCK SPRING (SHOWA)	---	K	K1	6	---	2	52459-312-003	0229922
26	NUT, LOCK, 10MM NUT, HEX., 10MM	---	K	K1	---	6	2	52482-312-000	0251199
27	RUBBER, JOINT	---	K	K1	6	---	2	94002-10000-0S	0156984
28	RUBBER, STOPPER RUBBER, STOPPER	---	K	K1	---	6	2	52484-292-000	0146530
29	FENDER COMP. A, RR.	---	K	K1	6	---	1	80100-323-670XW	0291526
30	GROMMET, CABLE	---	K	K1	6	---	2	80102-323-000	0255752
31	FENDER B ASSY., RR. FENDER ASSY. B, RR.	---	K	K1	---	6	1	80103-323-000	0266262
32	BUMPER, RR. BUMPER, RR.	---	K	---	6	---	1	84101-323-671	0291534
33	LABEL, MUFFLER CAUTION	---	K	K1	6	---	1	84101-374-670	0387852
34	MARK, TIRE CAUTION MARK, TIRE CAUTION MARK, TIRE CAUTION	---	K	---	6	1211679	1	87504-028-670	0117747
35	MARK, TIRE CAUTION MARK, TIRE CAUTION	---	K	---	6	---	1	87507-374-670	0362830
36	MARK, TIRE CAUTION MARK, TIRE CAUTION	---	K	---	6	---	1	87507-374-670	0362830
37	MARK, TIRE CAUTION	---	K	---	6	1211680	1	87507-374-671	0418145
38	MARK, TIRE CAUTION	---	K	---	6	---	1	87505-374-710	0435016
39	MARK, TIRE CAUTION	---	K	---	6	---	1	87512-371-670	0417857
40	MARK, TIRE CAUTION	---	K	---	6	---	2	90119-300-000	0191312
41	BOLT, RR. SWINGARM PIVOT	---	K	K1	6	---	1	90121-300-000	0191486
42	BOLT, RR. SWINGARM PIVOT	---	K	K1	6	---	1	90121-390-000	0403279
43	BOLT, RR. SWINGARM PIVOT	---	K	K1	6	---	1	90121-426-000	0742569
44	BOLT, RR. BRAKE STOPPER ARM	---	K	K1	6	---	1	90127-323-000	0254177
45	BOLT, RR. BRAKE STOPPER ARM	---	K	K1	6	---	1	90133-286-000	0155044
46	NUT, RR. SHOCK ABSORBER UPPER	---	K	K1	6	---	2	90309-315-000	0241588
47	NUT, LOCK, 14MM	---	K	K1	6	---	1	90354-268-000	0051979
48	WASHER, 6X20	---	K	K1	---	6	2	90512-300-000	0191494
49	WASHER, 6X9	---	K	K1	---	6	4	90512-300-000	0191494
50	WASHER, 6X9	---	K	K1	---	6	2	90513-323-000	0254193
51	WASHER A, HANDLE HOLDER SETTING	---	K	K1	6	---	1	90524-030-000	0021279
52	WASHER, RR. SWINGARM PIVOT BOLT	---	K	K1	6	---	1	90526-268-000	0052076

CONTENTS

TITLE	PAGE GRID
AIR CLEANER	76 F5
ALTERNATOR	24 B12
BOLT	48 C12
BRAKE MASTER, FR	132 C6
CABLE	50 C1
CAMSHAFT	16 B5
CARBURETOR	44 C10
CLUTCH	16 B6
CRANKCASE	40 C8
CRANKCASE COVER	16 B6
CRANKSHAFT	10 B5
CYLINDER	2 B1
CYLINDER	132 C6
EXHAUST MUFFLER	90 E9
FENDER, FR	62 D7
FRAME	118 F11
FUEL TANK	78 E3
HANDLEBAR	50 D1
HEAD	2 B1
HEADLIGHT	56 D4
KICK STARTER SPINDLE	30 C3
OIL FILTER	40 Z8
OIL PUMP	24 B12
SHOCK ABSORBER, RR	9E F1
SPEEDOMETER	56 D4
STEERING STEM	62 D7
STEP	90 E9
SWINGARM	9B F1
TACHOMETER	56 D4
TAILLIGHT K	106 F5
TAILLIGHT K1-76	112 F8
TRANSMISSION	30 C3
TURN SIGNAL K	106 F5
TURN SIGNAL K1-76	112 F8
WASHER (CRANKCASE)	48 C12
WHEEL, FR	70 D11
WHEEL, RR	70 D11
WIRE HARNESS	118 F11

GRID

F2

100 AMERICAN HONDA MOTOR CO. LTD. 1984

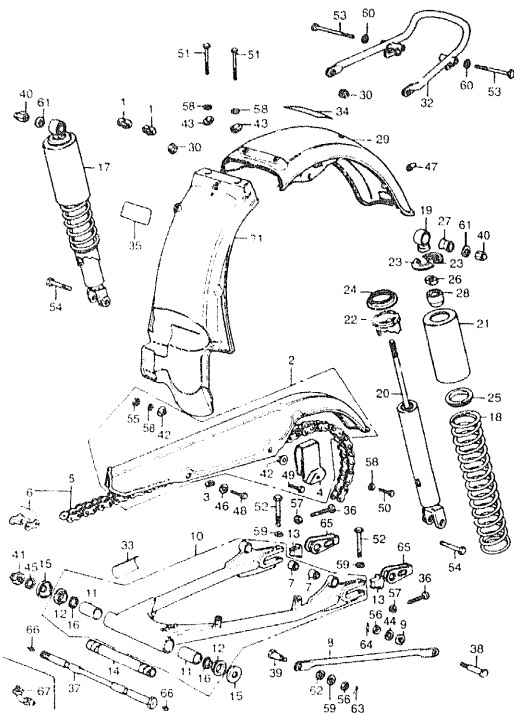
F2

AMERICAN HONDA MOTOR CO. LTD. 1984 101

CB550 ENGINE NO.; CB550E-1000001 TO SUBSEQUENT
CB550 FRAME NO.; CB550K-1000001 TO SUBSEQUENT
CB550K1 ENGINE NO.; CB550E-1029182 TO SUBSEQUENT
CB550K1 FRAME NO.; CB550K-1200001 TO SUBSEQUENT

CB550K76 ENGINE NO.; CB550E-1067334 TO SUBSEQUENT
CB550K76 FRAME NO.; CB550K-1230001 TO SUBSEQUENT

SWINGARM • REAR SHOCK ABSORBER



CAUTION (OR WARNING) LABELS MUST BE ORDERED SEPARATELY WHEN APPLICABLE.

1 (SEP1980)

K - CB550
K1 - CB550K1
6 - CB550K76

Ref No.	BLOCK NO. DESCRIPTION	F 7	CB550 K			FRAME SERIAL NUMBER	QTY	PART NUMBER	HONDA CODE
			K	K1	6				
46	WASHER, 18MM		K	K1	6	-----	1	90581-701-000	0173823
	WASHER, 18MM		K	K1	6	-----	1	90581-831-650	0166454
47	PLUG, CONE		K	K1	6	-----	1	90899-325-610	0274068
48	BOLT, HEX., 6X12		K	K1	6	-----	1	92000-06012	0054197
	BOLT, HEX., 6X12		K	K1	6	-----	1	92101-06012	2738821
	BOLT, HEX., 6X12		K	K1	6	-----	1	92101-06012-0A	3591500
49	BOLT, HEX., 6X14		K	K1	6	-----	1	92000-06014	0054213
	BOLT, HEX., 6X14		K	K1	6	-----	1	92101-06014-0A	2552198
50	BOLT, HEX., 6X16		K	K1	6	-----	1	92000-06016	0054239
	BOLT, HEX., 6X16		K	K1	6	-----	1	92000-06016-0A	0313197
	BOLT, HEX., 6X16		K	K1	6	-----	1	92000-06016-1A	0915124
	BOLT, HEX., 6X16		K	K1	6	-----	1	92100-06016-0A	1685726
	BOLT, HEX., 6X16		K	K1	6	-----	1	92101-06016-0A	2479590
	BOLT, HEX., 6X16		K	K1	6	-----	1	92200-06016-0r	1842400
51	BOLT, HEX., 6X28		K	K1	6	-----	2	92000-06028	0054346
	BOLT, HEX., 6X28		K	K1	6	-----	2	92101-06028-0A	3459427
52	BOLT, HEX., 8X40		K	K1	6	-----	2	92000-08040-0A	0192781
	BOLT, HEX., 8X40		K	K1	6	-----	2	92101-08040-0A	3839321
53	BOLT, HEX., 8X80		K	K1	6	-----	2	93000-08080-0B	0304824
	BOLT, CAP, 8X80		---	---	---	-----	2	92600-08080-0B	0435347
54	BOLT, HEX., 10X32		K	K1	6	-----	2	93000-10032-0A	0112664
	BOLT, HEX., 10X32		K	K1	6	-----	2	93100-10032-0A	0338541
55	NUT, HEX., 6MM		K	K1	6	-----	1	90310-KA3-711	1553916
	NUT, HEX., 6MM		K	K1	6	-----	1	94000-06000-0S	1391283
	NUT, HEX., 6MM		K	K1	6	-----	1	94001-06000	0058016
	NUT, HEX., 6MM		K	K1	6	-----	1	94001-06000-0S	0156067
	NUT, HEX., 6MM		K	K1	6	-----	1	94001-06008-0S	2829474
	NUT, HEX., 6MM		K	K1	6	-----	1	94001-06200-0S	2043255
	NUT, HEX., 6MM		K	K1	6	-----	1	94030-C6000	1642693
56	NUT, HEX., 8MM		K	K1	6	-----	2	94001-08000-0S	0167338
57	NUT, HEX., 8MM		K	K1	6	-----	2	94002-08000-0S	0156075
58	WASHER, PLAIN, 6MM		K	K1	6	-----	4	94101-06000	0059071

CONTENTS

TITLE	PAGE	GRID
AREAS LABEL	26	E1
ALTERNATOR	28	E10
BEET	40	C10
BEARING (MAIN)	152	E6
BIKE	90	D1
CAMSHAFT	50	E5
CAMSHIFTER	44	C10
CLUTCH	56	E6
CRANKCASE COVER	49	E6
CRANKCASE COVER	74	E6
CRANKSHAFT	50	E5
CYLINDER	2	E1
CYLINDER	152	E6
EXHAUST MANIFOLD	50	E6
FENDER FR.	62	D7
FRAME	138	F1
FUEL TANK	70	E3
HANDLEBAR	90	D5
HEAD	2	E1
HEADLIGHT	56	E4
ROCK STAR/FLYSPHERE	70	E3
OIL FILTER	40	C8
OIL PUMP	24	D10
SHOCK ABSORBER FR.	50	E1
SPEEDOMETER	56	E4
STEERING STEM	42	D7
STEP	90	E9
SWINGARM	50	E1
TACHOMETER	56	E4
TAILLIGHT K1	106	E5
TAILLIGHT K1 76	112	E8
TRANSMISSION	30	C3
TURN SIGNAL K1	106	E5
TURN SIGNAL K1 76	112	E8
WASHER (CRANKCASE)	40	C10
WHEEL FR.	70	D11
WHEEL REAR	70	D11
WIRE HARNESS	110	F11

GRID

F3

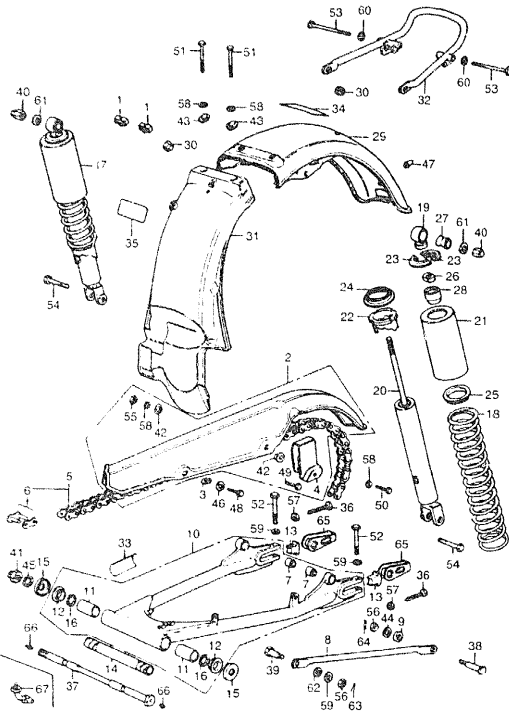
102 AMERICAN MOTORCYCLE CO. LTD. (U.S.A.)

CB550 ENGINE NO.; CB550E-1000001 TO SUBSEQUENT
CB550 FRAME NO.; CB550K-1000001 TO SUBSEQUENT
CB550K1 ENGINE NO.; CB550E-1029182 TO SUBSEQUENT
CB550K1 FRAME NO.; CB550K-1200001 TO SUBSEQUENT

CB550K76 ENGINE NO.; CB550E-1067334 TO SUBSEQUENT
CB550K76 FRAME NO.; CB550K-1230001 TO SUBSEQUENT

AMERICAN MOTORCYCLE CO. LTD. (U.S.A.)

SWINGARM • REAR SHOCK ABSORBER



CAUTION ON WARNING LABELS MUST BE ORDERED SEPARATELY WHEN APPLICABLE

F13374007

K = CB550
K1 = CB550K1
6 = CB550K76

Ref No.	BLOCK NO. DESCRIPTION	F-7	C B S 5 5 0 K			FRAME SERIAL NUMBER	Q T Y	R E G	PART NUMBER	HONDA CODE
			K	K1	6					
58	WASHER, PLAIN, 6MM	---	K	K1	6	---	4	94101-06800	3136074	
	WASHER, PLAIN, 6MM	---	K	K1	6	---	4	94101-06800	0345900	
59	WASHER, PLAIN, 8MM	---	K	K1	6	---	3	94101-08000	0059097	
60	WASHER, PLAIN, 8MM	---	K	K1	---	---	2	94101-08200	0059105	
61	WASHER, PLAIN, 10MM	---	K	K1	6	---	2	94101-10200	0059121	
62	WASHER, SPRING, 8MM	---	K	K1	6	---	1	94111-10000	0059006	
63	PIN, COTTER 2.0x18	---	K	K1	6	---	1	94201-20180	0219279	
	PIN, COTTER 2.0x20	---	K	K1	6	---	1	94201-20200	0058354	
	PIN, COTTER 2.0x22	---	K	K1	6	---	1	94201-20220	0058362	
	PIN, COTTER 2.0x25	---	K	K1	6	---	1	94201-20250	0058370	
	PIN, COTTER 2.0x32	---	K	K1	6	---	1	94201-20320	0145607	
	PIN, COTTER 2.0x35	---	K	K1	6	---	1	94201-20350	0058388	
	PIN, COTTER 2.0x22	---	K	K1	6	---	1	94201-29220	1484047	
64	PIN, LOCK, 8MM	---	K	K1	6	---	1	94251-08000	0115527	
65	ADJUSTER K, CHAIN	---	K	K1	6	---	2	95014-19000	0255729	
66	FITTING, GREASE	---	K	K1	---	---	2	96201-30000	0053546	
	FITTING, GREASE, A.45	---	K	K1	---	---	2	96201-30001	0258046	
67	FITTING, GREASE, B.765	---	---	---	6	---	1	96201-80000	0393132	

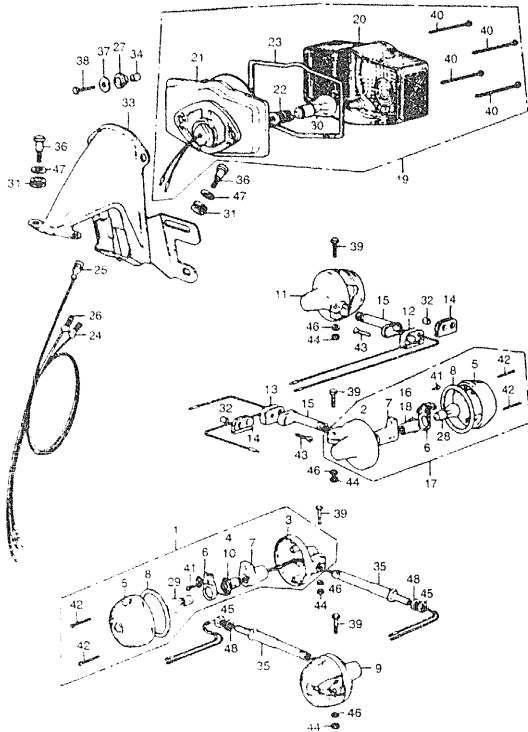
CONTENTS

TITLE	PAGE	GRID
AIR CLEANER	76	E3
ALTERNATOR	24	E12
BEET	48	C12
BRAKE MASTER FLY	52	G4
CABLE	59	D1
CAMSHAFT	19	E5
CARBURETTOR	44	C10
CLUTCH	74	E8
CRANKCASE	40	C8
CRANKCASE COVER	36	B8
CRANKSHAFT	10	E5
CYLINDER	2	E1
CYLINDER	157	G4
EXHAUST MUFFLER	90	E9
FOURER FLY	62	D7
FRAME	115	F11
FUEL TANK	78	E3
FUEL TANK HEAD	50	D1
HEAD	27	E1
HEADLIGHT	56	D4
KICK STARTER SPINDLE	30	C5
OIL FILTER	40	G8
OIL PUMP	24	E12
SHOCK ABSORBER (R)	98	F1
SPEEDOMETER	56	D4
STEERING STEM	40	D7
STEP	90	E9
SWINGARM	98	F1
TACHOMETER	56	D4
TAILLIGHT K	106	F5
TAILLIGHT K1-76	112	F8
TRANSMISSION	30	C3
TURN SIGNAL K	106	F5
TURN SIGNAL K1-76	112	F8
WASHER (CRANKCASE)	48	C12
WHEEL FR	70	D11
WHEEL RR	70	D11
WIRE HARNESS	118	F11

GRID

F4

TAILLIGHT • TURN SIGNAL - K



F1337400R

K = CB550
K1 = CB550K1
6 = CB550K76

Ref No	BLOCK NO DESCRIPTION	F-B	CB550 K			FRAME SERIAL NUMBER		QTY REQ	PART NUMBER	HONDA CODE
			K	1	6	FROM	TO			
1	TURN SIGNAL ASSY., R. FR.	K	--	---	---	---	1	33400-341-702	0314724
2	BASE, TURN SIGNAL	K	--	---	---	---	2	33401-292-003	0145250
	BASE, TURN SIGNAL	K	--	---	---	---	2	33401-341-791	0314732
3	BASE, TURN SIGNAL	K	--	---	---	---	2	33401-341-701	0314732
4	SOCKET, R. FR. TURN SIGNAL	K	--	---	---	---	1	33402-341-702	0314740
5	LENS, FR. TURN SIGNAL (STANLEY)	K	--	---	---	---	4	33402-268-671	0134221
	LENS, FR. TURN SIGNAL (STANLEY)	K	--	---	---	---	4	33402-268-672	2553055
	LENS, FR. TURN SIGNAL	K	--	---	---	---	4	33404-268-671	0447888
6	SOCKET, TURN SIGNAL	K	--	---	---	---	4	33407-284-000	0145284
	HOLDER, FR. TURN SIGNAL SOCKET (STANLEY)	K	--	---	---	---	4	33407-284-003	0354456
7	RUBBER, TURN SIGNAL CUSHION (STANLEY)	K	--	---	---	---	2	33408-341-701	0314765
8	GASKET, TURN SIGNAL LENS	K	--	---	---	---	4	33443-268-671	0148965
9	TURN SIGNAL ASSY., L. FR.	K	--	---	---	---	1	33450-341-702	0314773
10	SOCKET COMP., L. FR. TURN SIGNAL	K	--	---	---	---	1	33453-341-702	0314781
11	TURN SIGNAL ASSY., R. FR.	K	--	---	---	---	1	33600-300-000	0191742
	TURN SIGNAL ASSY., R. RR.	K	--	---	---	---	1	33600-306-670	0196121
	TURN SIGNAL ASSY., R. RR.	K	--	---	---	---	1	33600-306-679	2061778
	TURN SIGNAL, R. RR. (12V 23W)	K	--	---	---	---	1	33600-415-000	0668541
	TURN SIGNAL ASSY., L. RR.	K	--	---	---	---	1	33650-306-670	0196139
12	STOPPER, R. RR. TURN SIGNAL	K	--	---	---	---	1	33604-323-670	0254391
13	STOPPER, L. RR. TURN SIGNAL	K	--	---	---	---	1	33605-323-670	0254409
14	RUBBER, RR. TURN SIGNAL MOUNT	K	--	---	---	---	2	33606-074-010	0258160
15	STAY, R. RR. TURN SIGNAL	K	--	---	---	---	2	33607-323-670	0254672
16	SOCKET COMP., R. RR. TURN SIGNAL	K	--	---	---	---	1	33610-300-000	0191767
17	TURN SIGNAL ASSY., R. RR.	K	--	---	---	---	1	33600-306-679	2061778
	TURN SIGNAL ASSY., L. FR.	K	--	---	---	---	1	33650-300-000	0191783
18	SOCKET COMP., L. RR. TURN SIGNAL	K	--	---	---	---	1	33660-300-000	0191791
19	TAILLIGHT UNIT	K	--	---	---	---	1	33701-341-671	0268755
20	LENS, TAILLIGHT	K	--	---	---	---	1	33702-341-671	0268680
21	BASE COMP., TAILLIGHT	K	--	---	---	---	1	33703-341-671	0268698
22	CABLE COMP., TAILLIGHT	K	--	---	---	---	1	33708-341-671	0268706

F1337400R

CONTENTS

TITLE	PAGE GRID
AIR CLEANER	74 F1
ALTERNATOR	24 D2
BOLT	48 C12
BRAKE MASTER FR	132 C6
CABLE	70 D1
CAMSHAFT	19 B5
CARBURETOR	44 C10
CLUTCH	16 F9
CRANKCASE	40 C8
CRANKCASE COVER	16 B8
CRANKSHAFT	10 B5
CYLINDER	2 B1
CYLINDER	112 B6
EXHAUST MUFFLER	90 F4
FENDER FR	62 D7
FRAME	118 F11
FUEL TANK	78 E3
HANDLEBAR	50 D1
HEAD	2 B1
HEADLIGHT	56 D4
KICK STARTER SPINDLE	30 C3
OIL FILTER	40 C8
OIL PUMP	24 B12
SHOCK ABSORBER FR	98 F1
SPEEDOMETER	56 D4
STEERING STEM	62 D7
STEP	90 E4
SWINGARM	98 F1
TACHOMETER	56 D4
TAILLIGHT P	106 F5
TAILLIGHT K1-76	112 F8
TRANSMISSION	30 C3
TURN SIGNAL K	106 F5
TURN SIGNAL K1-76	112 F8
WASHER (CRANKCASE)	48 C12
WHEEL FR	70 D11
WHEEL RR	70 D11
WIRE HARNESS	118 F11

GRID

F5

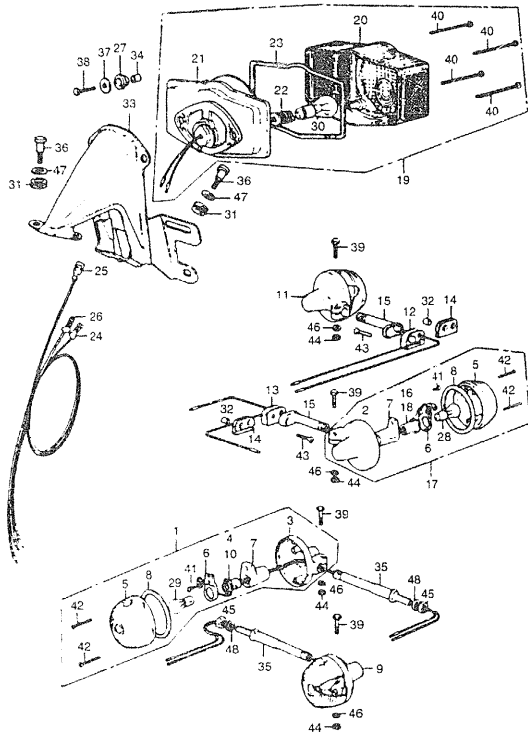
AMERICAN HONDA MOTOR CO., LTD. 1984

CB550 ENGINE NO.; CB550E-1070001 TO SUBSEQUENT
CB550 FRAME NO.; CB550K-1000001 TO SUBSEQUENT
CB550K1 ENGINE NO.; CB550E-1029182 TO SUBSEQUENT
CB550K1 FRAME NO.; CB550K-1200001 TO SUBSEQUENT

CB550K76 ENGINE NO.; CB550E-1067334 TO SUBSEQUENT
CB550K76 FRAME NO.; CB550K-1230001 TO SUBSEQUENT

AMERICAN HONDA MOTOR CO., LTD. 1984 107

TAILLIGHT • TURN SIGNAL - K



F13374008

K = CB550
K1 = CB550K1
6 = CB550K76

Ref. No.	BLOCK NO. DESCRIPTION	F-8	CB550			FRAME SERIAL NUMBER		QTY	PART NUMBER	HONDA CODE
			K	K1	6	FROM	TO			
23	GASKET, TAILLIGHT LENS	----	K	---	---	---	---	1	33705-341-671	0268714
24	CABLE, TAILLIGHT SUB	----	K	---	---	---	---	1	33711-323-000	0312645
25	CABLE, TAILLIGHT GROUND (STANLEY)	----	K	---	---	---	---	1	33712-300-003	0192013
26	CABLE, STOPLIGHT SUB	----	K	---	---	---	---	1	33713-323-000	0312652
27	GASKET B, TAILLIGHT BASE	----	K	---	---	---	---	2	33719-077-671	0178681
28	BULB, TURN SIGNAL (12V 23W)	----	K	---	---	---	---	2	34905-268-671	0145318
29	BULB, 12V23/7W 1034	----	K	---	---	---	---	2	34901-504-003	0504530
	BULB, STOP & TAILLIGHT (12V23/8W)	----	K	---	---	---	---	2	34906-313-671	0210815
30	BULB, TAILLIGHT (12V27/7W 2057HD)	----	K	---	---	---	---	1	34906-M69-771	1700301
	BULB, TAILLIGHT (12V 27/8W)	----	K	---	---	---	---	1	34906-341-671	0273540
31	RUBBER, RR. FENDER CUSHION	----	K	---	---	---	---	4	80101-283-000	0077271
32	COLLAR A, RR. FENDER	----	K	---	---	---	---	2	80108-061-000	0255778
	COLLAR A, RR. FENDER	----	K	---	---	---	---	2	80108-061-010	0186643
33	BRACKET, NUMBER PLATE	----	K	---	---	---	---	1	84701-341-670XW	0291963
34	COLLAR, LICENSE PLATE BRACKET	----	K	---	---	---	---	2	84706-341-000	0273987
35	BOLT, FR. TURN SIGNAL MOUNT	----	K	---	---	---	---	2	90154-341-670	0315341
36	BOLT, TAILLIGHT SETTING	----	K	---	---	---	---	4	90162-283-000	0078782
	BOLT, FR. FENDER SETTING	----	K	---	---	---	---	4	90162-732-000	0212829
37	WASHER, 20MM	----	K	---	---	---	---	2	90581-310-000	0113092
38	BOLT, HEX., 5X20	----	K	---	---	---	---	2	92000-05020-08	0192955
39	BOLT, HEX., 6X28	----	K	---	---	---	---	4	93000-06028-08	2401479
	BOLT, HEX., 6X28	----	K	---	---	---	---	4	93000-06028-02	0256891
	BOLT, HEX., 6X28	----	K	---	---	---	---	4	93100-06028-08	0228767
	BOLT, HEX. 6X28	----	K	---	---	---	---	4	93101-06028-08	3836327
40	SCREW, PAN, 4X55	----	K	---	---	---	---	4	93500-04055-4J	0274084
41	SCREW, PAN, 5X8	----	K	---	---	---	---	4	93500-05008-0A	0145540
42	SCREW, OVAL, 3X25	----	K	---	---	---	---	8	93700-03025-08	0145334
43	SCREW, OVAL, 6X25	----	K	---	---	---	---	2	93700-06025-08	0420521
	SCREW, 6X25	----	K	---	---	---	---	2	93700-06025-02	0056564
44	NUT, HEX., 6MM	----	K	---	---	---	---	4	90310-KA3-711	1553916
	NUT, HEX., 6MM	----	K	---	---	---	---	4	94000-06000-0S	1391283
	NUT, HEX., 6MM	----	K	---	---	---	---	4	94001-06000	0058016

CONTENTS

TITLE	PAGE	GRID
AIR CLEANER	78	E3
ALTERNATOR	24	B12
BOLT	48	G19
BRAKE MASTER FR	32	G6
CABLE	55	D1
CAMSHAFT	16	B5
CARBURETOR	44	G10
CLUTCH	74	B6
CRANKCASE	40	C8
CRANKCASE COVER	16	B6
CRANKSHAFT	10	B5
CYLINDER	2	B1
CYLINDER	13	G6
EXHAUST MUFFLER	90	E9
FENDER FR	62	D7
FRAME	118	F11
FUEL TANK	78	E3
HANDLEBAR	50	L1
HEAD	7	B1
HEADLIGHT	54	D4
KICK STARTER SPINDLE	30	J3
OIL FILTER	40	C8
OIL PUMP	28	E12
SHOCK ABSORBER FR	98	F1
SPEEDOMETER	36	D4
STEERING STEM	62	D7
STEP	90	E9
SWINGARM	98	F1
TACHOMETER	36	D4
TAILLIGHT K	106	F5
TAILLIGHT K1-76	112	F8
TRANSMISSION	30	C3
TURN SIGNAL K	106	F5
TURN SIGNAL K1-76	112	F8
WASHER (CRANKCASE)	48	C19
WHEEL FR	70	D11
WHEEL RR	70	D11
WIRE HARNESS	116	F11

AMERICAN HONDA MOTOR CO. LTD 1984 109

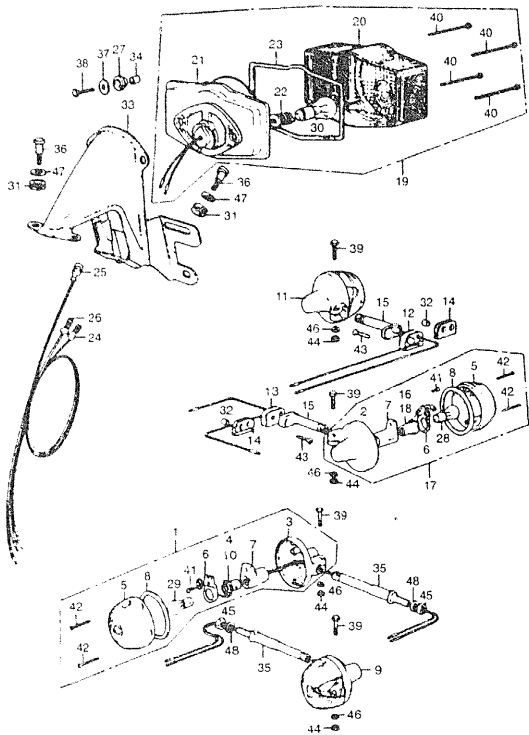
GRID

F6

CB50 ENGINE NO.; CB550E-1000001 TO SUBSEQUENT
CB550 FRAME NO.; CB550K-1000001 TO SUBSEQUENT
CB550K1 ENGINE NO.; CB550E-1029182 TO SUBSEQUENT
CB550K1 FRAME NO.; CB550K-1200001 TO SUBSEQUENT

CB550K76 ENGINE NO.; CB550E-1067334 TO SUBSEQUENT
CB550K76 FRAME NO.; CB550K-1230001 TO SUBSEQUENT

TAILLIGHT • TURN SIGNAL - K



F10374006

K = CB550
K1 = CB550K1
6 = CB550K76

Ref No	BLOCK NO. DESCRIPTION	F-8			SERIAL NUMBER	O T Y	PART NUMBER	HONDA CODE
		K	1	6				
		K	1	6				
44	NUT, HEX., 6MM	K	--	--	---	4	94001-06000-05	0156067
	NUT, HEX., 6MM	K	--	--	---	4	94001-06008-05	2829414
	NUT, HEX., 6MM	K	--	--	---	4	94001-06200-05	2043255
	NUT, HEX., 6MM	K	--	--	---	4	94030-06000	1642693
45	NUT, HEX., 10MM	K	--	--	---	2	94001-10000-05	0145391
46	WASHER, PLAIN, 6MM	K	--	--	---	4	94101-06000	0059071
	WASHER, PLAIN, 6MM	K	--	--	---	4	94101-06080	2136074
	WASHER, PLAIN, 6MM	K	--	--	---	4	94101-06800	0345900
47	WASHER, PLAIN, 8MM	K	--	--	---	4	94101-08200	0059105
48	WASHER, SPRING, 8MM	K	--	--	---	2	94111-10000	0059006

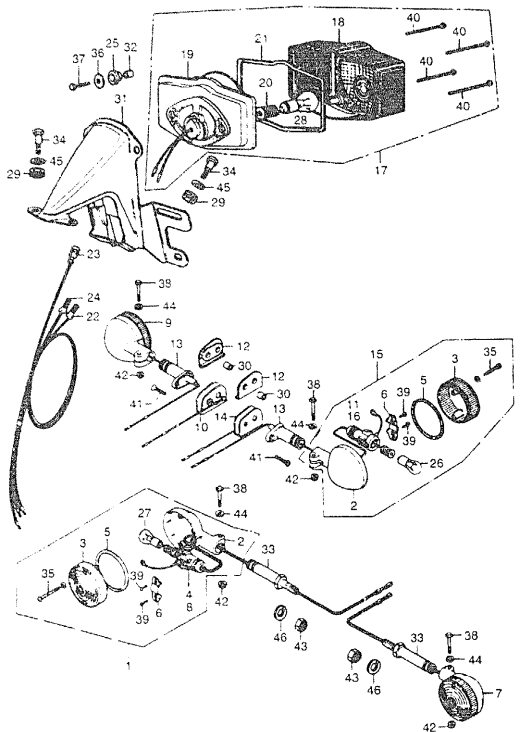
CONTENTS

TITLE	PAGE	GRID
AIR LEAKER	76	E3
ASSEMBLY	24	E10
BOX	48	C10
BIFARE MASTER FH	132	G6
CAUSE	59	D1
CAMSHAFT	10	E5
CAMBUCKET	44	C10
CLUTCH	74	B6
CRANKCASE	40	D6
CRANKCASE COVER	74	B6
CRANKSHAFT	10	E5
CYLINDER	2	E3
CYLINDER	132	G6
EXHAUST MUFFLER	96	E9
FENDER FR	42	E7
FRAME	118	F11
FUEL TANK	78	E3
HANDLEBAR	68	D5
HEAD	2	E3
HEADLIGHT	16	D4
HEADLIGHTER SPINDLE	30	C1
HEADLIGHT	40	G8
OR PUMP	24	E10
SHOCK ABSORBER RH	98	F1
SPEEDOMETER	76	D4
STEERING STEM	62	D7
STEP	90	E9
SWINGARM	98	F1
TACHOMETER	58	D4
TAILLIGHT K	106	F5
TAILLIGHT K1-76	112	F8
TRANSMISSION	30	C1
TURN SIGNAL K	78	E3
TURN SIGNAL K1-76	112	F8
WASHER (CRANKCASE)	48	C10
WHEEL FR	70	D11
WHEEL RR	70	D11
WIRE HARNESS	118	F11

(SHI)

F7

TAILLIGHT • TURN SIGNAL - K1-76



F1337400603

K = CB550
K1 = CB550K1
6 = CB550K76

Ref No	BLOCK NO DESCRIPTION	F-8-1	K		FRAME SERIAL NUMBER	QTY	PART NUMBER	HONDA CODE
			K1	6				
1	TURN SIGNAL ASSY., R. FR.	--	K1	6	-----	1	33400-377-671	0386334
	TURN SIGNAL ASSY., R. FR.	--	K1	6	-----	1	33400-461-670	0918516
	TURN SIGNAL ASSY., R. FR.	--	K1	6	-----	1	33400-461-679	2079218
2	BASE, R. FR. TURN SIGNAL	--	K1	6	-----	4	33401-377-671	0386342
3	LENS, FR. TURN SIGNAL	--	K1	6	-----	4	33402-377-671	0386359
4	SOCKET COMP., R. FR. TURN SIGNAL ..	--	K1	6	-----	1	33405-377-671	0386367
5	GASKET, TURN SIGNAL LENS	--	K1	6	-----	4	33406-377-671	0387944
6	HOLDER, FR. TURN SIGNAL SOCKET ...	--	K1	6	-----	4	33407-377-671	0386375
7	TURN SIGNAL ASSY., R. FR.	--	K1	6	-----	1	33400-377-671	0386334
	TURN SIGNAL ASSY., R. FR.	--	K1	6	-----	1	33400-461-670	0918516
	TURN SIGNAL ASSY., R. FR.	--	K1	6	-----	1	33400-461-679	2079218
	TURN SIGNAL ASSY., L. FR.	--	K1	6	-----	1	33450-377-671	0386383
8	SOCKET COMP., L. FR. TURN SIGNAL ..	--	K1	6	-----	1	33455-377-671	0386391
9	TURN SIGNAL, R. RR.	--	K1	6	-----	1	33600-374-671	0387662
10	STOPPER, R. RR. TURN SIGNAL	--	K1	6	-----	1	33604-374-670	0387670
11	SOCKET COMP., R. RR. TURN SIGNAL ..	--	K1	6	-----	1	33605-374-671	0387688
	SOCKET COMP., R. RR. TURN SIGNAL ..	--	K1	6	-----	1	33610-374-671	0699447
12	RUBBER, RR. TURN SIGNAL SETTING ..	--	K1	6	-----	2	33606-374-670	0387696
13	STAY, R. RR. TURN SIGNAL	--	K1	6	-----	2	33607-374-670	0387704
14	STOPPER, L. RR. TURN SIGNAL	--	K1	6	-----	1	33609-374-670	0387712
15	TURN SIGNAL ASSY., L. RR.	--	K1	6	-----	1	33650-374-671	0387720
16	SOCKET COMP., L. RR. TURN SIGNAL ..	--	K1	6	-----	1	33655-374-671	0387738
	SOCKET COMP., L. RR. TURN SIGNAL ..	--	K1	6	-----	1	33660-374-671	0746461
17	TAILLIGHT UNIT	--	K1	6	-----	1	33701-341-671	0268755
	TAILLIGHT UNIT (12V 3Z/3CP)	--	6	6	-----	1	33701-341-910	0435156
18	LENS, TAILLIGHT	--	K1	6	-----	1	33702-341-671	0268680
19	BASE COMP., TAILLIGHT	--	K1	6	-----	1	33703-341-671	0268698
	BASE COMP., TAILLIGHT	--	6	6	-----	1	33703-341-900	0435164
20	CABLE COMP., TAILLIGHT	--	K1	6	-----	1	33708-341-671	0268706
21	GASKET, TAILLIGHT LENS	--	K1	6	-----	1	33709-341-671	0268714
22	CABLE, TAILLIGHT SUB	--	K1	6	-----	1	33711-323-000	0312645
23	CABLE, TAILLIGHT GROUND (STANLEY) ..	--	K1	6	-----	1	33712-300-003	0192013

AMERICAN HONDA MOTOR CO., LTD. 1964 113

CONTENTS

TITLE	PAGE	GRID
AIR CLEANER	76	E3
ALTERNATOR	24	B12
BOLT	46	C12
BRAKE MASTER FH	132	G6
CRANK	55	E1
CRANKSHAFT	10	B5
CARBURETOR	44	C10
CLUTCH	16	B9
CRANKCASE	49	C8
CRANKCASE COVER	14	B9
CRANKSHAFT	10	B5
CYLINDER	7	B5
CYLINDER	109	G6
EXHAUST MUFFLER	90	E9
FENDER FR	65	D7
FRAME	116	F11
FUEL TANK	76	E3
HANDLEBAR	55	D1
HEAD	2	B1
HEADLIGHT	56	D4
KICK STARTER SPINDLE	50	C2
OIL FILTER	40	C8
OIL PUMP	24	B12
SHOCK ABSORBER FR	96	F1
SPEEDOMETER	56	D4
STEERING STEM	62	D7
STEP	90	E9
SWINGARM	98	F1
TACHOMETER	96	D4
TAILLIGHT K	106	F5
TAILLIGHT K1-76	112	F8
TRANSMISSION	100	C2
TURN SIGNAL K	106	F5
TURN SIGNAL K1-76	112	F8
WASHER (CRANKCASE)	48	C12
WHEEL FR	70	D11
WHEEL RR	70	D11
WIRE HARNESS	118	F11

GRID

F8

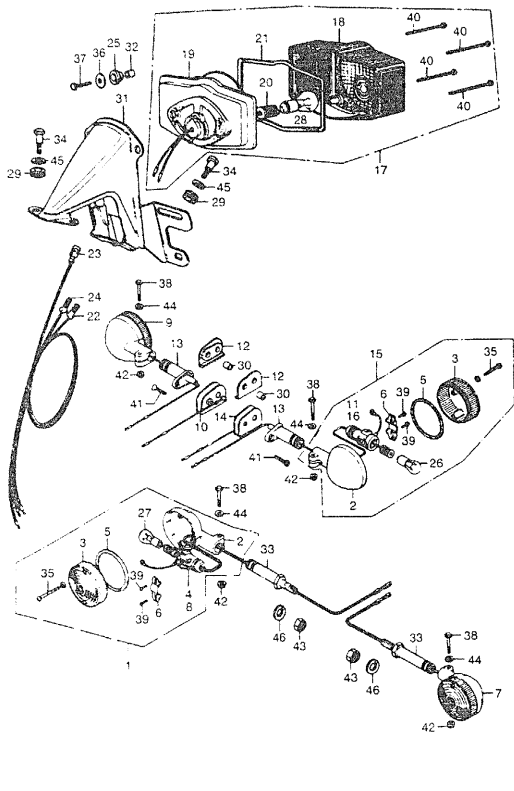
AMERICAN HONDA MOTOR CO., LTD. 1964

CB550 ENGINE NO.; CB550E-1000001 TO SUBSEQUENT
CB550 FRAME NO.; CB550K-1000001 TO SUBSEQUENT
CB550K1 ENGINE NO.; CB550E-1029182 TO SUBSEQUENT
CB550K1 FRAME NO.; CB550K-1200001 TO SUBSEQUENT

CB550K76 ENGINE NO.; CB550E-1067334 TO SUBSEQUENT
CB550K76 FRAME NO.; CB550K-1230001 TO SUBSEQUENT

F8

TAILLIGHT • TURN SIGNAL - K1-76



F 1337409801

K = CB550
K1 = CB550K1
6 = CB550K76

Ref No.	BLOCK NO. F-8-1 DESCRIPTION	CB550			FRAME SERIAL NUMBER	QTY	PART NUMBER	HONDA CODE
		K	K1	6				
24	CABLE, STOPLIGHT SUB	--	K1	6	-----	1	33713-323-000	0312652
25	GASKET B, TAILLIGHT BASE	--	K1	--	-----	2	33719-077-671	0178681
	RUBBER, REGULATOR CUSHION	--	6	--	-----	2	31403-300-000	0191825
	RUBBER, REGULATOR CUSHION	--	6	--	-----	2	31403-323-000	0254300
26	BULB, TURN SIGNAL (12V 23W)	--	K1	6	-----	2	34905-268-671	0145318
27	BULB, 12V23/7W 1034	--	K1	6	-----	2	34901-504-003	0504530
	BULB, STOP & TAILLIGHT (12V23/8W)	--	K1	6	-----	2	34906-313-671	0210815
28	BULB, TAILLIGHT (12V27/7W 2057HD)	--	K1	6	-----	1	34906-M69-771	1700301
	BULB, TAILLIGHT (12V 21/8W)	--	K1	6	-----	1	34906-341-671	0273540
29	RUBBER, RR. FENDER CUSHION	--	K1	6	-----	4	80101-283-000	0077271
30	COLLAR A, RR. FENDER	--	K1	6	-----	2	80108-061-010	0186643
31	BRACKET, NUMBER PLATE	--	K1	6	-----	1	84701-341-670XW	0291963
32	COLLAR, LICENSE PLATE BRACKET	--	K1	--	-----	2	84706-341-000	0273987
	COLLAR, TAILLIGHT UNIT	--	6	--	-----	2	84706-378-000	0356626
33	BOLT, FR. TURN SIGNAL MOUNT	--	K1	6	-----	2	90154-374-670	0387878
34	BOLT, TAILLIGHT SETTINGS	--	K1	6	-----	4	90162-283-000	0078782
	BOLT, FR. FENDER SETTING	--	K1	6	-----	4	90162-292-000	0212829
35	SCREW, PAN, 4X25	--	K1	6	-----	8	90192-377-671	0386946
36	WASHER, 20MM	--	K1	6	-----	2	90581-310-000	0113092
37	BOLT, HEX., 5X20	--	K1	--	-----	2	92000-05020-0B	0192955
	BOLT, HEX., 5X25	--	6	--	-----	2	92000-05025-0A	0207852
	BOLT, HEX., 5X25	--	6	--	-----	2	92101-05025-0A	2756260
38	BOLT, HEX., 6X35	--	K1	6	-----	4	93000-06035-0B	0412270
	BOLT, HEX., 6X35	--	K1	6	-----	4	93000-06035-02	0387894
	BOLT, HEX., 6X35	--	K1	6	-----	4	93101-06035-02	4545653
39	SCREW, PAN, 3X6	--	K1	--	1215784	8	93500-03006-0A	0166652
	SCREW, PAN, 3X8	--	6	--	-----	8	93500-03008-0H	0374694
	SCREW, PAN, 3X8	--	K1	--	1215785	8	93500-03008-0H	0374694
40	SCREW, PAN, 4X55	--	K1	6	-----	4	93500-04055-4J	0274084
41	SCREW, OVAL, 6X25	--	K1	6	-----	2	93700-06025-0B	0420521
	SCREW, 6X25	--	K1	6	-----	2	93700-06025-02	0056564
42	NUT, HEX., 6MM	--	K1	--	-----	4	90310-K1-3-711	1553916
	NUT, HEX., 6MM	--	K1	--	-----	4	94000-06000-0S	1391283

CONTENTS

TITLE	PAGE	GRID
AIR CLEANER	76	E3
ALTERNATOR	24	B12
BOLT	48	C12
BRAKE MASTER FR	130	G6
CABLE	59	D1
CAMSHAFT	10	B5
CARBURETOR	44	C10
CLUTCH	16	B9
CRANKCASE	40	C8
CRANKCASE COVER	16	B8
CRANKSHAFT	10	B5
CYLINDER	2	B1
EXHAUST MUFFLER	80	E9
FENDER FR	62	D7
FRAME	118	F11
FUEL TANK	78	E5
HANDLEBAR	50	D1
HEAD	2	B1
HEADLIGHT	56	D4
KICK STARTER SPINDLE	70	C3
OIL FILTER	40	C8
OIL PUMP	24	B12
SHOCK ABSORBER FR	96	F9
SPEEDOMETER	56	D4
STEERING STEM	62	D7
STEP	90	E9
SWINGARM	98	F1
TACHOMETER	56	D4
TAILLIGHT K	106	F5
TAILLIGHT K1-76	112	F8
TRANSMISSION	30	C3
TURN SIGNAL K	108	F5
TURN SIGNAL K1-76	112	F8
WASHER (CRANKCASE)	48	C12
WHEEL FR	70	D11
WHEEL RR	70	D11
WIRE HARNESS	118	F11

GRID

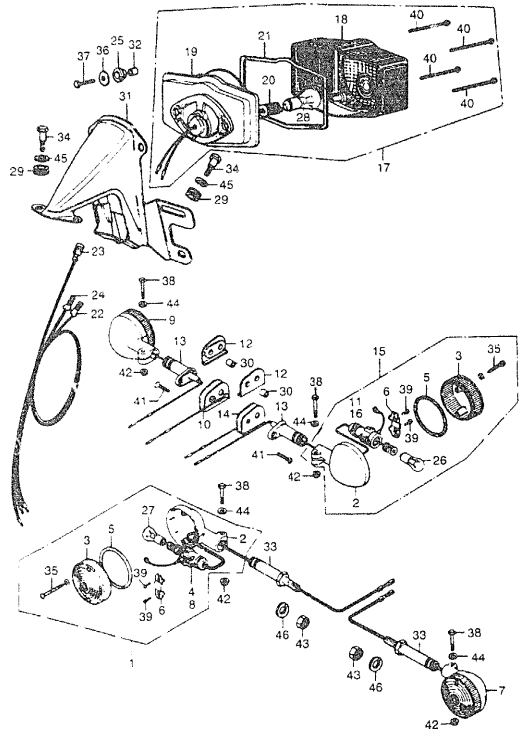
F9

114 AMERICAN HONDA MOTOR CO. LTD. 1984
 CB550 ENGINE NO.; CB550E-1000001 TO SUBSEQUENT
 CB550 FRAME NO.; CB550K-1000001 TO SUBSEQUENT
 CB550K1 ENGINE NO.; CB550E-1029182 TO SUBSEQUENT
 CB550K1 FRAME NO.; CB550K-1200001 TO SUBSEQUENT

CB550K176 ENGINE NO.; CB550E-1067334 TO SUBSEQUENT
 CB550K176 FRAME NO.; CB550K-1230001 TO SUBSEQUENT

AMERICAN HONDA MOTOR CO. LTD. 1984 115

TAILLIGHT • TURN SIGNAL - K1-76



F1337400801

K = CB550
 K1 = CB550K1
 6 = CB550K76

Ref. No.	BLOCK NO. DESCRIPTION	F-8-1		QTY	PART NUMBER	HONDA CODE
		K	K1			
42	NUT, HEX., 6MM	--	K1	--	94001-06000	0058016
	NUT, HEX., 6MM	--	K1	--	94001-06000-0S	0156067
	NUT, HEX., 6MM	--	K1	--	94001-06008-0S	2829414
	NUT, HEX., 6MM	--	K1	--	94001-06200-0S	2043255
	NUT, HEX., 6MM	--	K1	--	94030-06000	1642693
	NUT, FLANGE, 6MM	--	6	--	18362-720	0293084
	NUT, FLANGE, 6MM	--	6	--	94050-06000	0471623
43	NUT, HEX., 12MM	--	K1	6	94001-12000-0S	0169508
44	WASHER, PLAIN, 6MM	--	K1	--	94101-06000	0059071
	WASHER, PLAIN, 6MM	--	K1	--	94101-06080	3136074
	WASHER, PLAIN, 6MM	--	K1	--	94101-06800	0345900
45	WASHER, PLAIN, 8MM	--	K1	6	94101-08200	0059105
46	WASHER, SPRING, 12MM	--	K1	6	94111-12000	0059022

Ref. No.	BLOCK NO. DESCRIPTION	F-8-1		QTY	PART NUMBER	HONDA CODE
		K	K1			
FRAME						
					FROM	TO

CONTENTS

TITLE	PAGE	GRID
AIR CLEANER	78	E3
ALTERNATOR	24	B12
BOLT	48	C12
BRAKE MASTER FR	132	G6
CABLE	50	D1
CAMSHAFT	10	B5
CARBURETOR	44	C16
CLUTCH	16	E9
CRANKCASE	40	C8
CRANKCASE COVER	16	B8
CRANKSHAFT	10	B5
CYLINDER	2	B1
CYLINDER	132	G6
EXHAUST MUFFLER	90	E9
FENDER FR	52	D7
FRAME	118	F11
FUEL TANK	78	E3
HANDLEBAR	50	D1
HEAD	2	B1
HEADLIGHT	56	D4
KICK STARTER SPINDLE	30	C3
OIL FILTER	40	C8
OIL PUMP	24	B12
SHOCK ABSORBER FR	88	F1
SPEEDOMETER	56	D4
STEERING STEM	82	D7
STEP	90	E9
SWINGARM	98	F1
TACHOMETER	56	D4
TAILLIGHT K	106	F5
TAILLIGHT K1-76	112	F8
TRANSMISSION	30	C3
TURN SIGNAL K	106	F5
TURN SIGNAL K1-76	112	F8
WASHER (CRANKCASE)	48	C12
WHEEL FR	70	D1
WHEEL FR	70	D11
WIRE HARNESS	118	F11

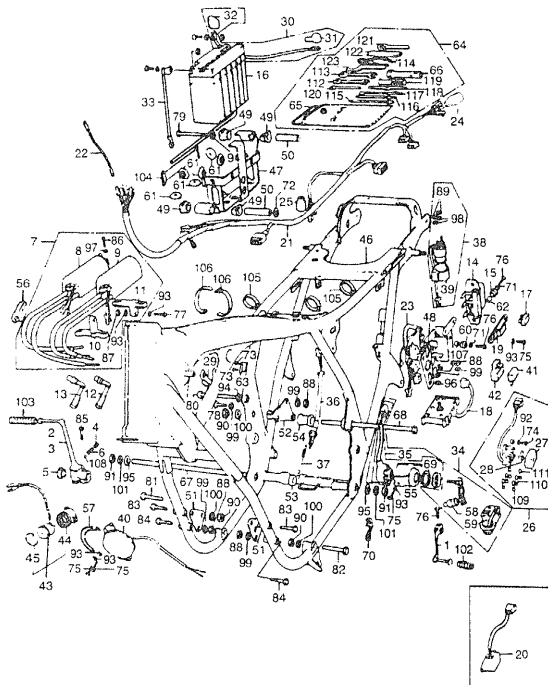
CRFD

F10

CB550 ENGINE NO.; CB550E-1000001 TO SUBSEQUENT
 CB550 FRAME NO.; CB550K-1000001 TO SUBSEQUENT
 CB550K1 ENGINE NO.; CB550E-1029182 TO SUBSEQUENT
 CB550K1 FRAME NO.; CB550K-1200001 TO SUBSEQUENT

CB550K176 ENGINE NO.; CB550E-1067334 TO SUBSEQUENT
 CB550K176 FRAME NO.; CB550K-1230001 TO SUBSEQUENT

FRAME • WIRE HARNESS



"CAUTION OR WARNING LABELS MUST BE ORDERED SEPARATELY WHEN APPLICABLE"

F13374009

K = CB550
K1 = CB550K1
6 = CB550K76

Ref. No.	BLOCK NO. DESCRIPTION	F-9	CB550 K			FRAME SERIAL NUMBER		QTY REQ	PART NUMBER	HONDA CODE
			K	K1	6	FROM	TO			
1	PEDAL, GEAR CHANGE	---	K	K1	6	---	---	1	24700-323-010	0254235
2	ARM COMP., KICK STARTER	---	K	---	---	---	1022428	1	28300-323-010	0254243
3	ARM ASSY., KICK STARTER	---	K	---	---	---	1022428	1	28300-374-000	0434241
4	ARM COMP., KICK STARTER	---	K	---	---	---	1022428	1	28300-374-000	0434241
5	CAP, KICK ARM	---	K	K1	6	---	---	1	28300-404-670	0468751
6	BOLT, KICK ARM	---	K	---	---	---	---	1	28300-404-670	0468751
7	COIL ASSY., IGNITION	---	K	K1	6	---	---	1	28303-310-010	0113860
8	COIL, R. IGNITION	---	K	K1	6	---	---	1	28303-310-000	0113878
9	COIL, L. IGNITION	---	K	K1	6	---	---	1	28333-310-000	0113886
10	BRACKET, IGNITION COIL	---	K	K1	6	---	---	1	30500-323-023	0254250
11	BRACKET B, IGNITION COIL	---	K	K1	6	---	---	1	30500-404-000	0468769
12	CAP ASSY., NOISE SUPPRESSOR	---	K	K1	6	---	---	2	30501-323-003	0254268
13	CAP ASSY. A, NOISE SUPPRESSOR	---	K	K1	6	---	---	2	30501-323-003	0254276
14	CAP ASSY. A, NOISE SUPPRESSOR	---	K	K1	6	---	---	2	30511-300-000	0192104
15	CAP ASSY. A, NOISE SUPPRESSOR	---	K	K1	6	---	---	2	30512-323-000	0254284
16	CAP ASSY. C, NOISE SUPPRESSOR	---	K	K1	6	---	---	2	30700-GAR-000	4192779
17	CAP ASSY. C, NOISE SUPPRESSOR	---	K	K1	6	---	---	2	30700-300-010	0229187
18	CAP ASSY. A, NOISE SUPPRESSOR	---	K	K1	6	---	---	2	30700-405-153	0482711
19	CAP ASSY. A, NOISE SUPPRESSOR	---	K	K1	6	---	---	2	30700-405-163	3528221
20	CAP ASSY. C, NOISE SUPPRESSOR	---	K	K1	6	---	---	2	30701-323-013	0254292
21	CAP ASSY. C, NOISE SUPPRESSOR	---	K	K1	6	---	---	2	30701-323-013	0254292
22	CAP ASSY., NOISE SUPPRESSOR	---	K	K1	6	---	---	2	30700-MC8-000	1234616
23	CAP ASSY., NOISE SUPPRESSOR	---	K	---	---	---	1241400	2	30700-MC8-000	1234616
24	CAP ASSY. C, NOISE SUPPRESSOR	---	K	K1	6	---	---	2	30700-390-153	0488015
25	CAP ASSY. C, NOISE SUPPRESSOR	---	K	---	---	---	1241400	2	30700-390-153	0488015
26	CAP ASSY. C, NOISE SUPPRESSOR	---	K	K1	6	---	---	2	30700-390-163	3819133
27	CAP ASSY. C, NOISE SUPPRESSOR	---	K	---	---	---	1241400	2	30700-390-163	3819133
28	CAP ASSY. C, NOISE SUPPRESSOR	---	K	K1	6	---	---	2	30701-323-023	0474774
29	CAP ASSY. C, NOISE SUPPRESSOR	---	K	---	---	---	1241400	2	30701-323-023	0474774
30	REGULATOR ASSY. (HITACHI)	---	K	K1	6	---	---	1	31400-300-035	0191817
31	RUBBER, REGULATOR CUSHION	---	K	K1	6	---	---	1	31403-323-000	0254300
32	BATTERY ASSY. (12V12A)	---	K	K1	6	---	---	1	31500-310-671	0113142
33	BATTERY ASSY.	---	K	K1	6	---	---	1	98203-22250	0430462

CONTENTS

TITLE	PAGE	GRID
AIR CLEANER	78	E3
ALTERNATOR	24	B12
BOLT	48	C12
BRAKE MASTER FR CABLE	130	G6
CABLE	50	D1
CAMSHAFT	10	B5
CARBURETOR	44	C10
CLUTCH	16	B8
CRANKCASE	40	C8
CRANKCASE COVER	16	B8
CRANKSHAFT	10	B5
CYLINDER	2	B1
CYLINDER	132	G6
EXHAUST MUFFLER	90	E9
FENDER FR	62	D7
FRAME	118	F11
FUEL TANK	78	E3
HANDLEBAR	50	D1
HEAD	2	B1
HEADLIGHT	36	D4
KICK STARTER SPINDLE	30	C3
OIL FILTER	40	C8
OIL PUMP	24	B12
SHOCK ABSORBER FR	98	F1
SPEEDOMETER	56	D4
STEERING STEM	62	D7
STEP	90	E9
SWINGARM	98	F1
TACHOMETER	56	D4
TAILLIGHT K	106	F5
TAILLIGHT K1-76	112	F8
TRANSMISSION	106	C3
TURN SIGNAL K	106	F5
TURN SIGNAL K1-76	112	F8
WASHER (CRANKCASE)	48	C12
WHEEL FR	70	D11
WHEEL FR	70	D11
WIRE HARNESS	118	F11

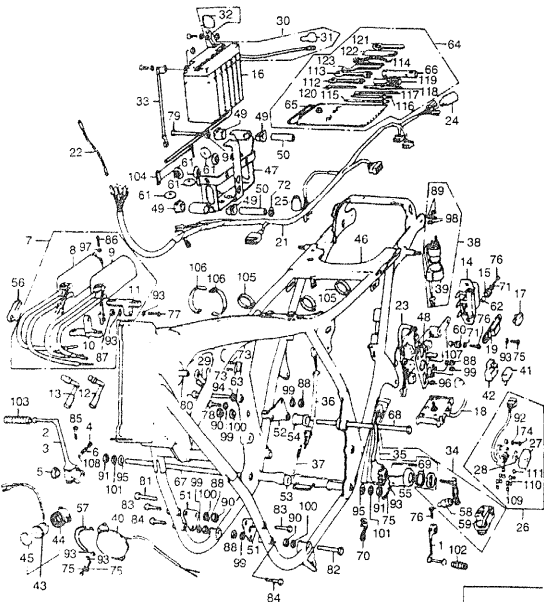
118 AMERICAN HONDA MOTOR CO., LTD. 1984

CB550 ENGINE NO.; CB550E-1000001 TO SUBSEQUENT
CB550 FRAME NO.; CB550K-1000001 TO SUBSEQUENT
CB550K1 ENGINE NO.; CB55C-1029182 TO SUBSEQUENT
CB550K1 FRAME NO.; CB550K-1200001 TO SUBSEQUENT

CB550K76 ENGINE NO.; CB550E-1067334 TO SUBSEQUENT
CB550K76 FRAME NO.; CB550K-1230001 TO SUBSEQUENT

AMERICAN HONDA MOTOR CO., LTD. 1984 119

FRAME • WIRE HARNESS



CAUTION OR WARNING LABELS MUST BE ORDERED SEPARATELY WHEN APPLICABLE

F13374099

K = CB550
K1 = CB550K1
6 = CB550K76

Part No.	BLOCK NO. DESCRIPTION	F-9	K		K 1	6	FR	TO	QTY	PART NUMBER	HONDA CODE
			K	1							
17	RECTIFIER ASSY., SILICON (STANLEY)					6			1	31700-124-003	0351346
	RECTIFIER ASSY., SILICON (SHINDENGEN)					6			1	31700-124-008	0692129
18	RECTIFIER ASSY.		K	K1		6			1	31700-323-015	0291633
	RECTIFIER ASSY.		K	K1		6			1	31700-333-008	0297341
19	STAY, DIODE					6			1	31706-341-900	0435131
20	SAFETY UNIT, STARTING		K	K1					1	31800-341-701	0314617
21	HARNES, WIRE		K	K1					1	32100-374-000	0362525
	HARNES, WIRE					6			1	32100-374-700	0434928
22	CABLE A, SUB					6			1	32101-385-000	0426304
23	HARNES, SUB WIRE		K	K1					1	32105-374-670	0362533
	HARNES, SUB WIRE					6			1	32105-374-700	0434936
24	COVER, CABLE HARNESS CONNECTOR ..		K	K1		6			1	32108-046-750	0258178
25	COVER, CABLE HARNESS CONNECTOR ..		K	K1		6			1	32108-323-300	0258186
26	BOX ASSY., FUSE		K	K1		6			1	32110-341-702	0476598
27	COVER, FUSE BOX		K	K1		6			1	32117-341-702	0314658
28	FUSE, GROMMET		K	K1		6			1	32118-341-702	0314666
29	CLIP, CABLE HARNESS		K	K1		6			1	32171-323-000	0254359
30	CABLE, STARTER BATTERY		K	K1		6			1	32401-323-000	0254367
31	COVER, STARTING MOTOR TERMINAL ..		K	K1		6			1	32411-230-000	0208652
	COVER, STARTING MOTOR TERMINAL ..		K	K1		6			1	32411-253-000	0177360
32	COVER, BATTERY TERMINAL		K	K1		6			1	32412-323-000	0254375
33	CABLE, BATTERY GROUND		K	K1		6			1	32601-323-000	0254383
34	SWITCH KIT, MAIN					6			1	35010-341-702	0688101
	KEY SET		K						1	35011-369-740	0382523
	SWITCH KIT, MAIN		K						1	35020-323-672	0291625
	SWITCH KIT, MAIN		K						1	35020-341-700	0314799
	SWITCH SET, COMBINATION		K						1	35020-341-701	0387951
	KEY SET		K	K1		6			1	35010-374-670	0387764
	SWITCH KIT, MAIN		K	K1		6			1	35010-374-011	0675303
35	SWITCH ASSY., COMBINATION (TOYO) ..		K						1	35100-323-003	0325464
	SWITCH ASSY., COMBINATION		K						1	35100-369-740	0447334

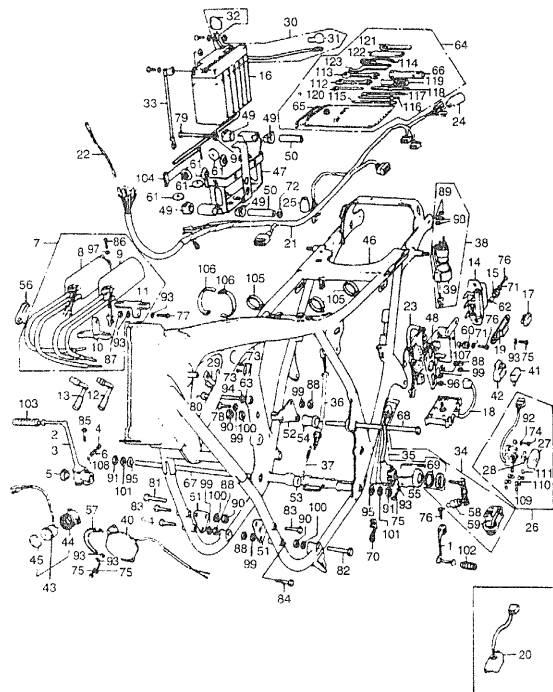
CONTENTS

TITLE	PAGE	GRID
AIR CLEANER	76	E2
ALTERNATOR	24	F12
BOLT	48	C10
BRAKE MASTER FH	132	G16
CABLE	58	D1
CAMSHAFT	10	B8
CARBURETOR	44	C10
CLUTCH	16	B8
CRANKCASE	48	B8
CRANKCASE COVER	16	B9
CRANKSHAFT	10	B8
CYLINDER	2	B1
CYLINDER	132	G6
EXHAUST MUFFLER	90	F4
FENDER FR	62	D7
FRAME	118	F11
FUEL TANK	78	F3
HANDLEBAR	56	D7
HEAD	2	B1
HEADLIGHT	56	D4
KICK STARTER SPINDLE	20	C2
OIL FILTER	40	C8
OIL PUMP	24	B10
SHOCK ABSORBER RH	95	F1
SPEEDOMETER	55	D4
STEERING STEM	42	D7
STEP	100	F9
SWINGARM	98	F1
TACHOMETER	56	D4
TAILLIGHT K	106	F5
TAILLIGHT K1-76	112	F8
TRANSMISSION	30	C2
TURN SIGNAL K	106	F5
TURN SIGNAL K1-76	112	F8
WASHER (CRANKCASE)	48	C10
WHEEL FR	70	D11
WHEEL RR	70	D11
WIRE HARNESS	118	F11

GRID

F12

FRAME • WIRE HARNESS



CAUTION OR WARNING LABELS MUST BE ORDERED SEPARATELY WHEN APPLICABLE

F13374009

K = CB550
K1 = CB550K1
F = CB550K76

Ref. No.	BLOCK NO. DESCRIPTION	F-9	CB550			FRAME SERIAL NUMBER	QTY	PART NUMBER	HONDA CODE
			K	K1	6				
35	SWITCH ASSY., COMBINATION		K	K1	6	-----	1	35100-374-000	0387753
	SWITCH ASSY., COMBINATION (TOYO)		K	K1	6	-----	1	35100-374-007	0497032
36	SWITCH ASSY., RR. STOP		K	K1	6	-----	1	35350-KJ9-405	3780665
	SWITCH ASSY., STOP (TOYO)		K	K1	6	-----	1	35350-292-003	0143883
	SWITCH ASSY., STOP		K	K1	6	-----	1	35350-336-000	0268623
37	SPRING, STOP SWITCH		K	K1	6	-----	1	35357-011-000	0008458
38	SWITCH ASSY., STARTER MAGNETIC		K	K1	---	-----	1	35850-306-670	0191908
	SWITCH ASSY., STARTER MAGNETIC		K	K1	6	-----	1	35850-371-670	0406207
39	SUSPENSION, MAGNETIC SWITCH		K	K1	6	-----	1	35856-323-000	0254098
40	HORN ASSY. (MITSUBA)		K	K1	6	-----	1	38100-300-023	0201954
41	FLASHER, (142 12V)		K	K1	6	-----	1	38300-292-670	0146555
	RELAY ASSY., TURN SIGNAL		K	K1	6	-----	1	38301-KJ6-741	1596915
	RELAY COMP., TURN SIGNAL (MITSUBA)		K	K1	6	-----	1	38301-KJ6-742	1717953
	RELAY COMP., TURN SIGNAL (MITSUBA)		K	K1	6	-----	1	38301-KJ6-743	2957611
42	SUSPENSION, TURN SIGNAL RELAY		K	K1	6	-----	1	38306-107-670	0217604
43	Buzzer ASSY., TURN SIGNAL		K	K1	6	-----	1	38400-341-674	0314880
44	COVER, BUZZER		K	K1	J	-----	1	38402-341-671	0273615
45	PLATE, TURN SIGNAL BUZZER		K	K1	6	-----	1	38403-341-672	0273623
46	FRAME COMP.		K	K1	---	-----	1	50100-323-674B	0291666
	FRAME COMP. *NH1* (BLACK)		---	6	---	-----	1	50100-374-710ZA	0434951
47	BOX, BATTERY		K	K1	6	-----	1	50325-323-040	0253930
48	PLATE, ELECTRIC BASE		K	K1	6	-----	1	50330-374-000	0362657
49	RUBBER, BATTERY BOX		K	K1	6	-----	4	50331-323-000	0253955
50	COLLAR, BATTERY BOX		K	K1	6	-----	2	50332-323-000	0253963
51	BRACKET, FR. ENGINE HANGER		K	K1	6	-----	2	50351-323-010B	0253971
52	BRACKET, RR. ENGINE HANGER		K	---	---	1021685	1	50356-374-000	0362665
	BRACKET, RR. ENGINE HANGER		K	---	---	1021686	1	50356-374-010	0390864
	BRACKET, RR. ENGINE HANGER		K	---	---	---	1	50356-374-010	0390864
53	COLLAR, R. ENGINE LOWER SIDER		K	K1	6	-----	1	50357-323-010	0253997
54	COLLAR, L. ENGINE UPPER		K	K1	6	-----	1	50359-323-010	0254003
55	BRACKET, MAIN SWITCH		K	K1	6	-----	1	50375-323-020	0254011

CONTENTS

TITLE	PAGE GRID
AIR CLEANER	7H E3
ALTERNATOR	24 B12
BOLT	48 C19
BRAKE MASTER FR	132 G5
CABLE	50 D*
CRANKSHAFT	16 B5
CARBURETOR	64 C10
CLUTCH	16 B6
CRANKCASE	40 C5
CRANKCASE COVER	16 B9
CRANKSHAFT	10 B5
CYLINDER	2 B1
CYLINDER	132 G6
EXHAUST MUFFLER	90 E5
FENDER FR	62 D*
FRAME	118 H13
FUEL TANK	78 E3
HANDLEBAR	50 D1
HEAD	2 B1
HEADLIGHT	56 D4
KICK STARTER SPINDLE	30 C3
OIL FILTER	40 C8
OIL PUMP	24 B12
SHOCK ABSORBER FR	98 F1
SPEEDOMETER	56 D4
STEERING STEM	62 D7
STEP	90 E9
SWINGARM	98 F1
TACHOMETER	56 D4
TAILLIGHT K	106 F5
TAILLIGHT K1-76	112 FB
TRANSMISSION	30 C3
TURN SIGNAL K	106 F5
TURN SIGNAL K1-76	112 FB
WASHER (CRANKCASE)	48 C12
WHEEL FR	70 D11
WHEEL RR	70 D11
WIRE HARNESS	118 F11

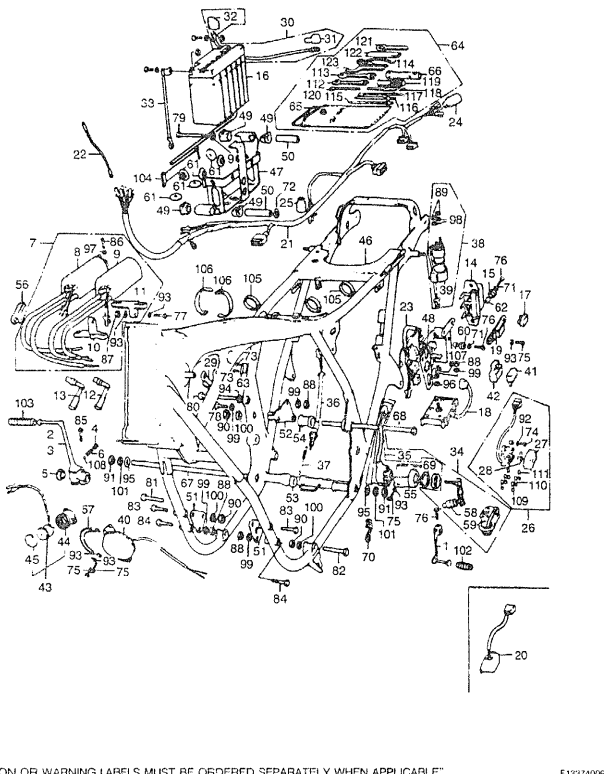
GRID

G1

CB550 ENGINE NO.; CB550E-1000001 TO SUBSEQUENT
CB550 FRAME NO.; CB550K-1000001 TO SUBSEQUENT
CB550K1 ENGINE NO.; CB550E-1029182 TO SUBSEQUENT
CB550-1 FRAME NO.; CB550K-1200001 TO SUBSEQUENT

CB550K76 ENGINE NO.; CB550E-1067334 TO SUBSEQUENT
CB550K76 FRAME NO.; CB550K-1230001 TO SUBSEQUENT

FRAME • WIRE HARNESS



"CAUTION OR WARNING LABELS MUST BE ORDERED SEPARATELY WHEN APPLICABLE" F13374099

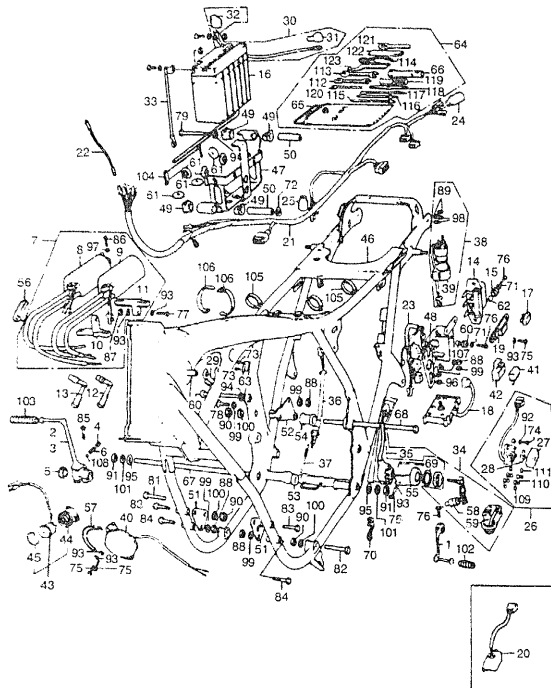
Ref. No.	BLOCK NO. DESCRIPTION	F-9	K			C B 550 K	FRAME SERIAL NUMBER FROM TO	Q T Y	R E Q	PART NUMBER	HONDA CODE
			K	1	6						
			K	K1	6						
K = CB550 K1 = CB550K1 6 = CB550K76											
56	PROTECTOR, IGNITION COIL WIRE	...	K	K1	6	---	---	1	50400-323-000	1254029	
57	CLAMP, TACHOMETER CABLE	K	K1	6	---	---	1	50462-323-000	0254037	
58	CLAMP, TACHOMETER CABLE	K	K1	6	---	---	1	50462-323-010	0469080	
58	LOCK COMP., HANDLEBAR	K	K1	6	---	---	1	35010-230-010	0136168	
58	LOCK COMP., HANDLEBAR (TOYO)	K	K1	6	---	---	1	53600-230-000	0137844	
59	LOCK ASSY., SEAT (HONDA LOCK)	K	K1	6	---	---	1	77230-107-711	0336449	
59	LOCK ASSY., SEAT (TOYO)	K	K1	6	---	---	1	77230-347-003	0291450	
60	RUBBER A, RR. FENDER	K	K1	6	---	---	2	80105-061-000	0186627	
61	RUBBER, BATTERY BOX	K	K1	6	---	---	6	83618-323-000	0255810	
62	COLLAR, NUMBER BRACKET SETTING	K	K1	6	---	---	2	84706-286-000	0166462	
63	MARK, BATTERY CAUTION	K	K1	6	---	---	1	87506-374-670	0362822	
64	TOOL SET	K	K1	6	---	---	1	89010-323-010	0313148	
64	TOOL SET	K	K1	6	---	---	1	89010-390-000	0433268	
65	BAG, TOOL	K	---	---	---	1022272	1	89101-ME5-670	1669480	
65	BAG, TOOL	K	K1	6	---	---	1	89101-ME5-670	1669480	
65	BAG, TOOL	K	---	---	---	1022272	1	89101-300-010	0192369	
65	BAG, TOOL, 200MM	K	---	---	---	1022272	1	99008-02000	0268185	
65	BAG, TOOL, 200MM	K	K1	6	---	---	1	99008-02000	0268185	
66	WRENCH, SPARK PLUG	K	K1	6	---	---	1	89216-323-000	0254094	
67	BOLT, RR. ENGINE HANGER LOWER	K	K1	6	---	---	1	90107-323-000	0254136	
68	BOLT, RR. ENGINE UPPER	K	K1	6	---	---	1	90108-323-000	0254144	
69	WASHER, 25X33 (TOYO)	---	K1	6	---	---	1	90501-374-003	0387886	
70	GUIDE, BREATHER	---	K1	6	---	---	1	90514-374-700	0435024	
71	WASHER, 18MM	K	K1	6	---	---	4	90581-701-000	0173823	
71	WASHER, 18MM	K	K1	6	---	---	4	90581-831-650	0166454	
72	WASHER, 8MM	K	K1	6	---	---	1	90582-703-000	0254219	
73	SCREW, RIVET, 1.5X5	K	K1	6	---	---	2	90841-001-600	0172866	
74	BOLT, HEX., 5X14	K	K1	6	---	---	2	92000-05014-0A	0207381	
75	BOLT, HEX., 6X12	K	K1	6	---	---	5	92000-06012	0054197	
75	BOLT, HEX., 6X12	K	K1	6	---	---	5	92101-06012	2738821	
75	BOLT, HEX., 6X12	K	K1	6	---	---	5	92101-06012-0A	3591500	
76	BOLT, HEX., 6X20	K	K1	6	---	---	5	92000-06020	0054270	
76	BOLT, HEX., 6X20	K	K1	6	---	---	5	92101-06020-0A	2528925	

CONTENTS	
TITLE	PAGE GRID
AIR CLEANER	76 E3
ALTERMOTOR	24 B12
BOLT	48 C12
BRAKE MASTER FR	152 G6
CABLE	50 D1
CAMSHAFT	10 B5
CARBURETOR	44 C10
CLUTCH	16 B8
CRANKCASE	41 C8
CRANKCASE COVER	16 B5
CRANKSHAFT	16 B5
CYLINDER	2 B1
CYLINDER	132 G6
EXHAUST MUFFLER	92 E9
FENDER, FR.	62 D7
FRAME	118 F11
FUEL TANK	76 E2
HANDLEBAR	50 D1
HEAD	2 B1
HEADLIGHT	56 D4
KICK STARTER SPINDLE	30 C3
OIL FILTER	42 C8
OIL PUMP	24 B12
SHOCK ABSORBER, FR	98 F1
SPEEDOMETER	56 D4
STEERING STEM	62 D7
STEP	90 E9
SWINGARM	98 F1
TACHOMETER	56 D4
TAILLIGHT K	106 F5
TAILLIGHT K-76	112 E2
TRANSMISSION	30 C2
TURN SIGNAL K	106 F5
TURN SIGNAL K1-76	112 E2
WASHER (CRANKCASE)	48 C12
WHEEL, FR	70 D1
WHEEL, RR	70 D1
WIRE HARNESS	118 F11

CB550 ENGINE NO.; CB550E-1000001 TO SUBSEQUENT
 CB550 FRAME NO.; CB550K-1000001 TO SUBSEQUENT
 CB550K1 ENGINE NO.; CB550E-1029182 TO SUBSEQUENT
 CB550K1 FRAME NO.; CB550K-1200001 TO SUBSEQUENT

CB550K76 ENGINE NO.; CB550E-1067334 TO SUBSEQUENT
 CB550K76 FRAME NO.; CB550K-1250001 TO SUBSEQUENT

FRAME • WIRE HARNESS



CAUTION OR WARNING LABELS MUST BE ORDERED SEPARATELY WHEN APPLICABLE

F 13374099

K = CB550
K1 = CB550K1
6 = CB550K76

Ref. No.	BLOCK NO. DESCRIPTION	F-9	CB550		QTY	PART NUMBER	HONDA CODE
			K	6			
			FRAME SERIAL NUMBER		REQ		
			FROM	TO			
77	BOLT, HEX., 6X25		K	K1	6	92000-06025	0054320
	BOLT, HEX., 6X25		K	K1	6	92101-06025-0A	2206563
78	BOLT, HEX., 8X40		K	K1	6	92000-08040-0A	0192781
	BOLT, HEX., 8X40		K	K1	6	92101-08040-0A	3839321
79	BOLT, HEX., 8X65		K	K1	6	92000-08065-0A	0256834
80	BOLT, HEX., 8X100		K	K1	6	92000-08100-0A	0256859
	BOLT, HEX., 8X100		K	K1	6	92101-08100-0A	3391497
81	BOLT, HEX., 10X50		K	K1	6	92200-10050-0A	0193003
	BOLT, HEX., 10X80		K	K1	6	92200-10080-0A	0193011
83	BOLT, HEX., 8X50		K	K1	6	93000-08050-0A	0258244
84	BOLT, HEX., 8X55		K	K1	6	93000-08055-0A	0258251
85	BOLT, HEX., 8X32		K	K1	6	93200-08032-0A	0258020
86	SCREW, PAN, 5X20		K	K1	6	93500-05020-0A	0197731
87	NUT, HEX., 6MM		K	K1	6	90310-KA3-711	1553916
	NUT, HEX., 6MM		K	K1	6	94000-06000-0S	1391283
	NUT, HEX., 6MM		K	K1	6	94001-06000	0058016
	NUT, HEX., 6MM		K	K1	6	94001-06000-3S	0156067
	NUT, HEX., 6MM		K	K1	6	94001-06008-0S	2829414
	NUT, HEX., 6MM		K	K1	6	94001-06200-0S	2043255
	NUT, HEX., 6MM		K	K1	6	94030-06000	1642693
	NUT, FLANGE, 6MM		---	6	---	18362-720-000	0293084
	NUT, FLANGE, 6MM		---	6	---	94050-06000	0471623
88	NUT, HEX., 8MM		K	K1	6	94001-08000-0S	0167338
89	NUT, HEX., 6MM		K	K1	6	94002-06000-0S	0181032
90	NUT, HEX., 10MM		K	K1	6	94030-10000	0223204
91	NUT, HEX., 12MM		K	K1	6	94030-12000	0217505
92	WASHER, PLAIN, 5MM		K	K1	6	94101-05000	0059055
93	WASHER, PLAIN, 6MM		K	K1	6	94101-06000	0059071
	WASHER, PLAIN, 6MM		---	6	---	94101-06000	0059071
	WASHER, PLAIN, 6MM		K	K1	6	94101-06080	3136074
	WASHER, PLAIN, 6MM		---	6	---	94101-06080	3136074
	WASHER, PLAIN, 6MM		K	K1	6	94101-06800	0345900
	WASHER, PLAIN, 6MM		---	6	---	94101-06800	0345900

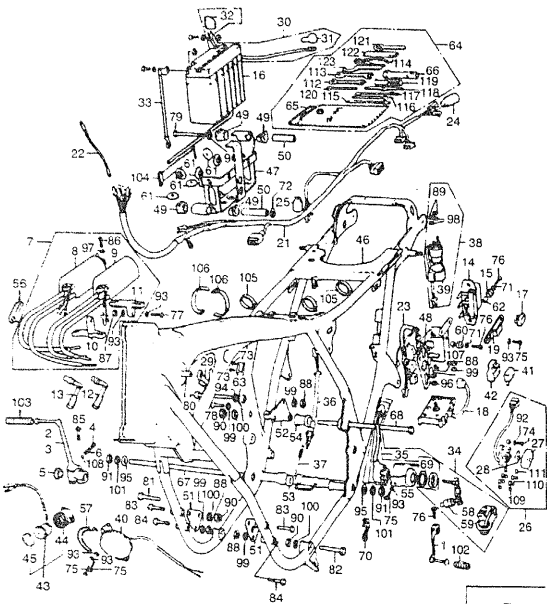
CONTENTS

TITLE	PAGE GRID
AIR CLEANER	74 B3
ALTERATOR	24 B32
BOLT	48 C2
BRAKE MASTER FR	132 D4
CABLE	50 E1
CAKSHAFT	10 B5
CARBURETOR	44 C10
CLUTCH	16 B9
CRANKCASE	49 C8
CRANKCASE COVER	14 B8
CRANKSHAFT	10 B5
CYLINDER	2 B1
CYLINDER	132 D5
EXHAUST MUFFLER	90 E9
FENDER FR	62 D7
FRAME	118 F11
FUEL TANK	76 E3
HANDLEBAR	50 D1
HEAD	2 B1
HEADLIGHT	56 D4
KICK STARTER SPINDLE	39 C3
OIL FILTER	40 C8
OIL PUMP	24 B12
SHOCK ABSORBER FR	58 F1
SPEEDOMETER	56 D4
STEERING STEM	62 D7
STEP	80 E9
SWINGARM	98 F1
TACHOMETER	56 D4
TAILLIGHT K	106 F7
TAILLIGHT K1-76	112 F7
TRANSMISSION	30 C3
TURN SIGNAL K	106 F5
TURN SIGNAL K1-76	112 F8
WASHER (CRANKCASE)	48 C12
WHEEL FR	70 D11
WHEEL FR	70 D11
WIRE HARNESS	118 F11

GRID

G3

FRAME • WIRE HARNESS



CAUTION OR WARNING LABELS MUST BE ORDERED SEPARATELY WHEN APPLICABLE

F1537402

K = CB550
K1 = CB550K1
6 = CB550K76

Ref No.	BLOCK NO. DESCRIPTION	F-9	CB550 K		FRAME SERIAL NUMBER		QTY	PART NUMBER	HONDA CODE
			K	6	FROM	TO			
94	WASHER, PLAIN, 8MM		K	K1 6			2	94101-08000	0059097
95	WASHER, PLAIN, 12MM		K	K1			2	94101-12000	0059139
							1	94101-12000	0059139
96	WASHER, PLAIN, 8MM		K	K1 6			1	94102-08000	0199596
97	WASHER, SPRING, 5MM		K	K1 6			4	94111-05000	0058966
98	WASHER, SPRING, 6MM		K	K1 6			2	94111-06000	0058974
99	WASHER, SPRING, 8MM		K	K1 6			7	94111-08000	0058982
100	WASHER, SPRING, 8MM		K	K1 6			5	94111-10000	0059006
101	WASHER, SPRING, 12MM		K	K1 6			2	94111-12000	0059222
102	RUBBER, SHIFT PEDAL		K	K1 6			1	95011-40000	0255695
103	RUBBER, KICK STARTER		K		1022429		1	28311-329-000	0293159
							1	28311-329-000	0293159
	RUBBER B, KICK STARTER		K		1022428		1	95011-52000	0255620
104	BAND, BATTERY		K	K1 6			1	50322-300-010	0191924
	BAND F, BATTERY		K	K1 6			1	95012-17000	0255646
	BAND F, BATTERY		K	K1 6			1	95012-17001	1303544
105	BAND A1, CABLE		K	K1 6			6	95014-61100	0255661
106	BAND A2, CABLE		K	K1 6			3	95014-61200	0255679
107	COLLAR A, 6.3MM		K	K1 6			2	95020-61630	0362947
108	BALL, STEEL, #10 (5/16)		K	K1 6			1	96211-10000	0058933
109	FUSE A (5A)		K	K1 6			2	98200-10500	0390910
110	FUSE A (7A)		K	K1 6			2	98200-10700	0250662
111	FUSE A (15A)		K	K1 6			2	98200-11500	0216283
112	OPEN END WRENCH 10x12		K	K1 6			1	99000-10120	0187559
113	OPEN END WRENCH 14x17		K	K1 6			1	99001-14170	0187567
114	PLIERS, 135		K	K1 6			1	99002-13500	0069252
115	DRIVER 1, PLUS SCREW (NO.2)		K	K1 6			1	99003-10000	0052423
116	DRIVER 2, PLUS SCREW (NO.3)		K	K1 6			1	99003-20000	0052431
117	DRIVER 3, MINUS SCREW (NO.2)		K	K1 6			1	99003-30000	0052449
118	LEVER, TIRE		K	K1 6			1	99003-40000	0052456
119	GRIP		K	K1 6			1	99003-50000	0052464
120	BAR B, HANDLE		K	K1 6			1	99005-02000	0268219
121	HANDLE, EYE WRENCH, 120MM		F	K1 6			1	99006-12000	0270496

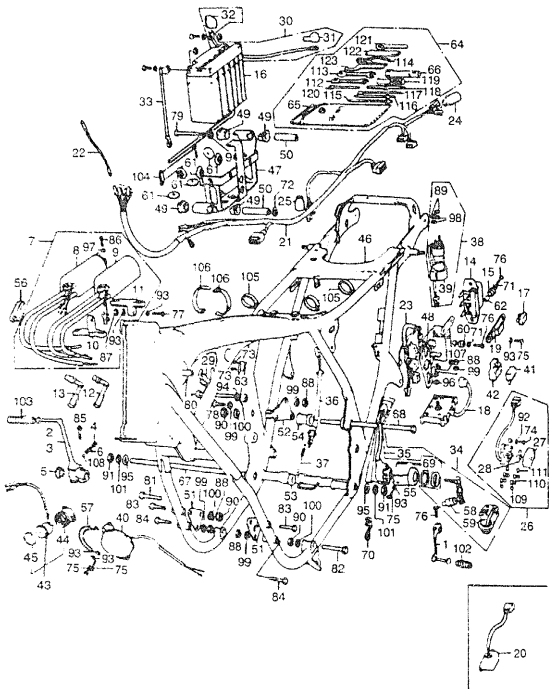
CONTENTS

TITLE	PAGE	GRID
AIR CLEANER	76	E3
ALTERNATOR	94	B12
BOLT	48	C12
BRAKE MASTER FH	132	G4
CABLE	16	E1
CAMSHAFT	10	E5
CARBURETOR	44	C10
CLUTCH	16	B8
CRANKCASE	40	C8
CRANKCASE COVER	16	B8
CRANKSHAFT	10	E5
CYLINDER	2	E1
CYLINDER	132	G4
EXHAUST MUFFLER	86	E9
FENDER FR	62	D7
FRAME	118	F11
FUEL TANK	78	E3
HANDLEBAR	50	D1
HEAD	2	E1
HEADLIGHT	56	D4
KICK STARTER SPINDLE	36	C1
OIL FILTER	40	C8
OIL PUMP	24	B12
SHOCK ABSORBER RR	98	F1
SPEEDOMETER	56	D4
STEERING STEM	62	D7
STEP	96	E9
SWINGARM	56	D4
TACHOMETER	56	D4
TAILLIGHT K	106	F5
TAILLIGHT K1-76	112	F5
TRANSMISSION	30	C3
TURN SIGNAL K	106	F5
TURN SIGNAL K1-76	112	F5
WASHER (CRANKCASE)	48	C12
WHEEL FR	70	D11
WHEEL RR	70	D11
WIRE HARNESS	118	F11

GRID

G4

FRAME • WIRE HARNESS



CAUTION: OR WARNING LABELS MUST BE ORDERED SEPARATELY WHEN APPLICABLE

F15374099

K = CB550
K1 = CB550K1
6 = CB550K76

Ref. No.	BLOCK NO. DESCRIPTION	F-9	CB550		FRAME SERIAL NUMBER FROM TO	QTY REQ	PART NUMBER	HONDA CODE
			K	K1				
122	WRENCH, EYE, 26MM		K	K1	6	1	99006-26000	0270489
123	OPEN END WRENCH, PIN, 45MM		K	K1	6	1	99007-45000	0268235

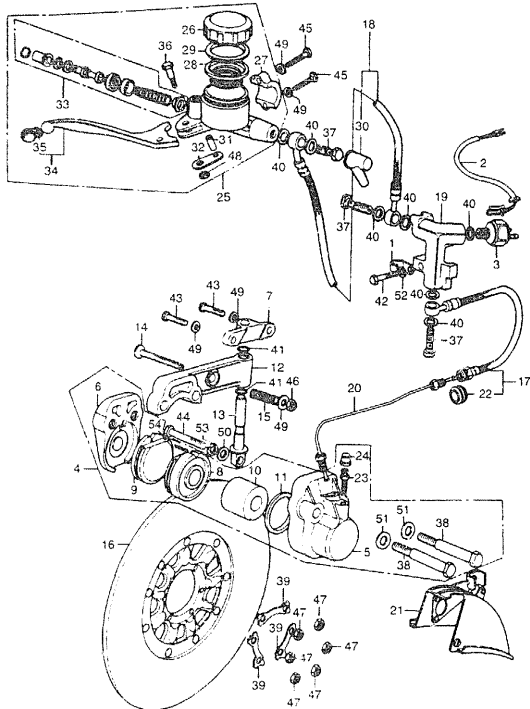
CONTENTS

TITLE	PAGE	GRID
AIR CLEANER	76	E3
ALTERNATOR	24	B12
BOLT	48	C12
BRAKE MASTER FR	132	G6
CABLE	50	D1
CAMSHAFT	10	B5
CARBURETOR	44	C10
CLUTCH	16	B6
CRANKCASE	40	C2
CRANKCASE COVER	16	B6
CRANKSHAFT	10	B5
CYLINDER	2	B1
CYLINDER	132	G6
EXHAUST MUFFLER	90	E9
FENDER FR	62	D7
FRAME	118	F11
FUEL TANK	76	E3
HANDLEBAR	50	D1
HEAD	2	B1
HEADLIGHT	56	D4
KICK STARTER SPINDLE	36	C3
OIL FILTER	40	C8
OIL PUMP	24	B12
SHOCK ABSORBER RR	98	F1
SPEEDOMETER	56	D4
STEERING STEM	62	D7
STEP	90	E9
SWINGARM	98	F1
TACHOMETER	56	D4
TAILLIGHT K	106	F5
TAILLIGHT K1-76	112	F8
TRANSMISSION	20	C3
TURN SIGNAL K	106	F5
TURN SIGNAL K1-76	112	F8
WASHER (CRANKCASE)	48	C12
WHEEL FR	70	D11
WHEEL RR	70	D11
WIRE HARNESS	118	F11

GRID

G5

FRONT BRAKE MASTER • CYLINDER



F13374010

K = CB550
 K1 = CB550K1
 G = CB550K76

Ref. No.	BLOCK NO. DESCRIPTION	F-10	K		QTY	FRAME SERIAL NUMBER	PART NUMBER	HONDA CODE
			K1	G				
1	CLAMP, CABLE		K	K1	6		32111-323-000	0254961
2	SUB WIRE, FR. STOP SWITCH		K	K1	6		35345-319-000	0219485
3	SWITCH, STOP (NAILS)		K	K1	6		35350-300-016	0291930
4	CALIPER ASSY. (TOKIKO)		K	--		1018397	45100-323-043	0291351
5	CALIPER ASSY. (TOKIKO)		K	K1	--	101397	45100-323-053	0390674
6	CALIPER ASSY.		K	--		1018397	45100-390-003	0402792
7	CALIPER A (TOKIKO)		K	K1	6		45101-323-013	0257956
8	CALIPER B (TOKIKO)		K	K1	6		45102-323-003	0257964
9	JOINT, CALIPER HOLDER		K	K1	6		45104-317-700	0269548
10	PAD COMP. A (TOKIKO) (SEE KIT P/N--END OF BLOCK)		K	--		1018397	45105-323-043	0291369
11	PAD COMP. A (ASAHI) (SEE KIT P/N--END OF BLOCK)		K	K1	--	1018397	45105-323-036	0369371
12	PAD COMP. A (TOKIKO) (SEE KIT P/N--END OF BLOCK)		K	K1	6		45105-390-003	291-364
13	PAD COMP. A (ASAHI) (SEE KIT P/N--END OF BLOCK)		K	K1	6		45105-390-006	0402800
14	PAD COMP. B (TOKIKO) (SEE KIT P/N--END OF BLOCK)		K	--		1018397	45106-323-013	0256206
15	PAD COMP. B (ASAHI) (SEE KIT P/N--END OF BLOCK)		K	K1	--	1618397	45106-323-006	0256172
16	PAD COMP. B (TOKIKO) (SEE KIT P/N--END OF BLOCK)		K	K1	6		45106-390-003	2914372
17	PAD COMP. B (ASAHI) (SEE KIT P/N--END OF BLOCK)		K	K1	--	1018397	45106-390-006	0402818
18	PISTON COMP.		K	K1	6		45107-323-020	0256198
19	SEAL, PISTON (TOKIKO)		K	K1	6		45108-300-003	0194613
20	HOLDER, CALIPER		K	K1	6		45115-223-010	0256230
21	HOLDER, CALIPER		--	--	6		45115-390-003	0402826
22	PIN, CALIPER HOLDER		K	K1	6		45116-323-020	0312835
23	PIN, CALIPER HOLDER		K	K1	6		45116-367-690	3849767
24	BOLT, CALIPER ADJUSTING		K	K1	--		45117-300-020	0194662

CONTENTS

TITLE	PAGE	GRID
AIR CLEANER	78	E3
ALTERNATOR	24	B12
ROCK	48	C12
BRAKE MASTER FR	135	G6
CABLE	50	D1
CAUSHAFT	19	B5
CAUSHAFT/RETOR	44	C11
CLUTCH	16	J
CRANKCASE	49	C8
CRANKCASE COVER	16	B8
CRANKSHAFT	10	B5
CYLINDER	2	B1
CYLINDER	132	G6
EXHAUST MUFFLER	90	E9
FENDER FR	62	D7
FRAME	118	F11
FUEL TANK	78	E3
HANDLEBAR	50	D1
HEAD	2	B1
HEADLIGHT	56	D4
KICK STARTER SPINDLE	30	C3
OIL FILTER	40	C8
OIL PUMP	24	B12
SHOCK ABSORBER FR	98	F1
SPEEDOMETER	56	D4
STEERING STEM	62	D7
STEP	90	E9
SWINGARM	98	F1
TACHOMETER	56	D4
TAILLIGHT K	106	E5
TAILLIGHT K1-76	112	F8
TRANSMISSION	30	C3
TURN SIGNAL K	106	F5
TURN SIGNAL K1-76	112	F8
WASHER (CRANKCASE)	48	C12
WHEEL FR	70	D11
WHEEL FR	70	D11
WIRE HARNESS	118	F11

GRID

36

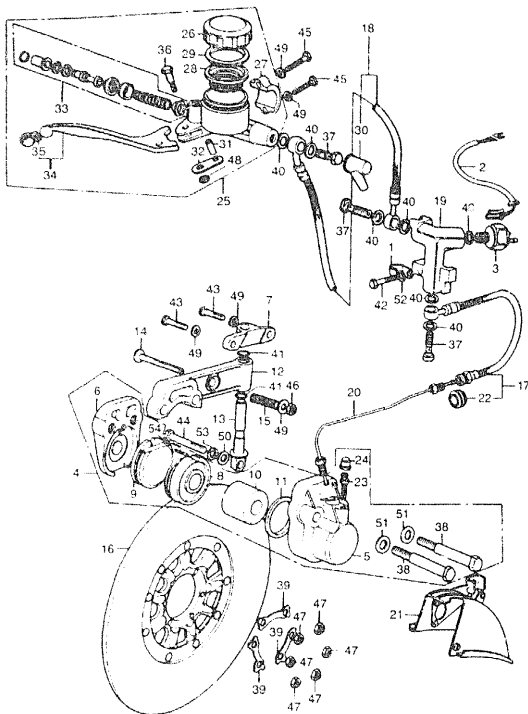
132 AMERICAN HONDA MOTOR CO. LTD. 1984

CB550 ENGINE NO.; CB550E-1000001 TO SUBSEQUENT
 CB550 FRAME NO.; CB550K-1000001 TO SUBSEQUENT
 CB550K1 ENGINE NO.; CB550E-1029182 TO SUBSEQUENT
 CB550K1 FRAME NO.; CB550K-1200001 TO SUBSEQUENT

CB550K76 ENGINE NO.; CB550E-1067334 TO SUBSEQUENT
 CB550K76 FRAME NO.; CB550K-1230001 TO SUBSEQUENT

AMERICAN HONDA MOTOR CO. LTD. 1984 133

FRONT BRAKE MASTER • CYLINDER



1-33/74010

K = CB550
K1 = CB550K1
6 = CB550K76

Ref No	BLOCK NO DESCRIPTION	F-10	CB550			FRAME SERIAL NUMBER		QTY	PART NUMBER	HONDA CODE
			K	K1	6	FROM	TO			
14	BOLT, CALIPER ADJ.		K	K1	6			1	45117-34-700	0314948
15	SPRING, CALIPER ADJ.		K	K1	6			1	45119-300-020	0194670
16	DISK COMP., FR. BRAKE		K	K1	6			1	45120-323-020	0256248
17	DISK COMP., FR. BRAKE		K	K1	6			1	45120-374-700	0434944
17	HOSE A, FR. BRAKE		K				1221285	1	45125-300-020	0256263
	HOSE A, FR. BRAKE (NICHIRIN)		K	K1				1	45125-300-073	0414151
	HOSE A, FR. BRAKE (NICHIRIN)		K				1221285	1	45125-300-033	0414151
18	HOSE B, FR. BRAKE		K				1221285	1	45125-379-033	0416552
	HOSE B, FR. BRAKE (NICHIRIN)		K	K1	6			1	45126-300-030	0256255
	HOSE B, FR. BRAKE (NICHIRIN)		K				1221285	1	45126-300-030	0256255
19	JOINT, THREE WAY		K	K1	6			1	45126-300-003	04*6016
20	PIPE, FR. BRAKE		K	K1	6			1	45126-300-003	0416016
21	COVER COMP., DISK		K	K1	6		1221285	1	45127-323-000	0256271
22	GROMMET, BRAKE HOSE		K	K1	6			1	45128-323-020	0256289
23	VALVE, BLEEDER (TOKICO)		K	K1	6			1	45140-323-670	0312843
24	CAP, BLEEDER SCREW (TOKICO)		K	K1	6			1	45146-300-000	0194373
25	CYLINDER ASSY., MASTER		K	K1				1	45224-579-013	0256297
	CYLINDER ASSY., MASTER		K					1	45225-579-013	0256305
26	CAP, OIL CUP		K	K1	6			1	45500-341-771	0356253
	CAP, OIL CUP		K					1	45500-369-671	0394999
27	CAP, OIL CUP		K	K1	6			1	43513-MJ6-006	1764760
	CAP, OIL CUP		K					1	43513-461-771	0946731
	CAP, OIL CUP		K	K1	6			1	45513-341-771	0356261
27	HOLDER, MASTER CYLINDER		K	K1	6			1	45517-300-003	0194464
28	DIAPHRAGM		K	K1	6			1	45520-300-000	0194480
29	PLATE, DIAPHRAGM		K	K1	6			1	45521-MJ6-006	1764968
	PLATE, DIAPHRAGM		K					1	45521-300-010	0200733
30	BUSH, MASTER CYLINDER		K	K1	6			1	45522-300-010	0201095
31	BUSH, R. HANDLEBAR CONTROL LEVER		K	K1	6			1	45526-341-000	0273755
32	PLATE, CONTROL LEVER BUSH SETTING		K	K1	6			1	45527-300-000	0238782
33	CYLINDER SET, MASTER		K					1	45530-377-305	0398313
34	LEVER COMP., R. HANDLEBAR		K	K1				1	53170-300-000	0194506
	LEVER COMP., R. HANDLEBAR		K					1	53170-333-000	0302125

CONTENTS

TITLE	PAGE	GRID
AIR CLEANER	26	E5
AIR FILTER	24	E12
BOLT	48	E12
BRAKE MASTER FR	132	G4
CABLE	42	D1
CAMSHAFT	10	B5
CARBURETOR	44	C10
CLUTCH	14	B8
CRANKCASE	40	C8
CRANKCASE COVER	14	B8
CRANKSHAFT	10	B5
CYLINDER	3	D11
CYLINDER	132	G4
EXHAUST MUFFLER	98	E9
FENDER FR	42	D7
FRAME	118	F11
FUEL TANK	78	F5
HANDLEBAR	54	D7
HEAD	2	B1
HEADLIGHT	64	D4
KICK STARTER SPINDLE	38	C9
OIL FILTER	40	C8
OIL PUMP	23	E12
SHOCK ABSORBER FR	48	F7
SPEEDOMETER	44	D4
STEERING STEM	42	D7
STEP	90	E9
SWINGARM	86	F1
TACHOMETER	44	D4
TAILLIGHT K	106	F5
TAILLIGHT K1 76	110	F8
TRANSMISSION	100	C9
TURN SIGNAL K	106	F5
TURN SIGNAL K1 76	110	F8
WASHER (FRANKCASE)	48	E12
WHEEL FR	70	D11
WHEEL FR	70	D11
WIRE HARNESS	118	F11

1-34 AMERICAN HONDA MOTOR CO., LTD. 1984

CB550 ENGINE NO.; CB550E-1000001 TO SUBSEQUENT
CB550 FRAME NO.; CB550K-1000001 TO SUBSEQUENT
CB550K1 ENGINE NO.; CB550E-1029182 TO SUBSEQUENT
CB550K1 FRAME NO.; CB550K-1200001 TO SUBSEQUENT

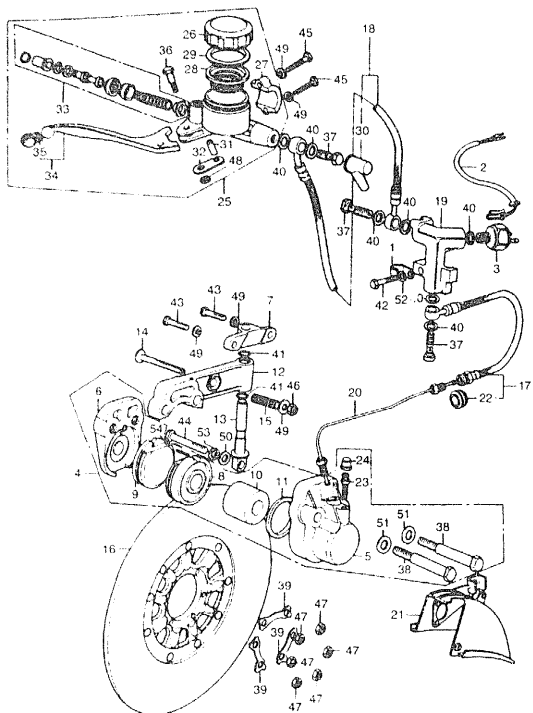
CB550K76 ENGINE NO.; CB550E-1067334 TO SUBSEQUENT
CB550K76 FRAME NO.; CB550K-1230001 TO SUBSEQUENT

AMERICAN HONDA MOTOR CO., LTD. 1984 1-35

GRID

G7

FRONT BRAKE MASTER • CYLINDER



F 1307-0110

K = CB550
K1 = CB550K1
6 = CB550K76

Part No	BLOCK NO DESCRIPTION	F-10	CB550		QTY	FRAME SERIAL NUMBER FROM TO	PART NUMBER	HONDA CODE
			K	K1				
34	CONTROL LEVER, R. HANDLEBAR (TOYO)		K	K1	6	-----	1 52170-369-003	0365312
	CONTROL LEVER, R. HANDLEBAR		K	K1	6	-----	1 53175-369-003	0360222
35	CAP, CONTROL LEVER		K	---	---	1022172	1 53180-286-000	0178335
	CAP, CONTROL LEVER		K	---	---	1022172	1 95010-16000	0300947
	CAP A, LEVER		K	---	---	1022172	1 95010-16001	4225710
36	BOLT, HANDLEBAR CONTROL LEVER PIVOT		K	K1	6	-----	1 90114-300-000	0194514
37	BOLT, OIL		K	K1	6	-----	3 90145-300-000	0194522
	BOLT, OIL		K	K1	6	-----	3 90145-300-010	1883305
38	BOLT, CALIPER SETTING		K	K1	6	-----	2 90165-323-000	0254110
39	WASHER AB, TONGUED, 8MM		K	K1	---	-----	3 90522-300-010	0194712
	WASHER AB, TONGUED		K	K1	---	-----	3 94108-18000	0301739
40	WASHER, OIL BOLT		X	K1	6	-----	7 90545-300-000	0189902
41	O-RING, 10X1.7		X	K1	---	-----	2 91259-300-000	0194720
	O-RING, 9.5X1.7		---	---	6	-----	2 91259-333-000	0297440
42	BOLT, HEX., 6X28		K	K1	6	-----	1 92000-06028	0054346
	BOLT, HEX., 6X28		K	K1	6	-----	1 92101-06028-0A	3459427
43	BOLT, HEX., 6X25		K	K1	6	-----	2 92200-06025	0256867
	BOLT, HEX., 6X25		K	K1	6	-----	2 92200-06025-0A	4476891
	BOLT, HEX., 6X25		K	K1	6	-----	2 92201-06025-0A	2909414
44	BOLT, HEX., 8X35		K	K1	6	-----	1 92200-08035-0A	0256875
45	BOLT-WASHER, 6X25		K	K1	6	-----	2 93482-06025	0723775
	BOLT-WASHER, 6X25		K	K1	6	-----	2 93482-06025-00	0486241
46	NUT, HEX., 6MM		K	K1	6	-----	1 90310-KA3-711	1553916
	NUT, HEX., 6MM		K	K1	6	-----	1 94000-06000-0S	1391283
	NUT, HEX., 6MM		K	K1	6	-----	1 94001-06000	0058016
	NUT, HEX., 6MM		K	K1	6	-----	1 94001-06000-0S	0156067
	NUT, HEX., 6MM		K	K1	6	-----	1 94001-06008-0S	2829414
	NUT, HEX., 6MM		K	K1	6	-----	1 94001-06200-0S	2043255
	NUT, HEX., 6MM		K	K1	6	-----	1 94030-06000	1642693
47	NUT, HEX., 8MM		K	K1	---	-----	6 94001-08000-0S	0167338
	NUT, HEX., 8MM		---	---	6	-----	6 90309-357-000	0322164

CONTENTS

TITLE	PAGE	QHD
ALTERNATOR	76	E.3
ALTERNATOR	24	B52
BECKT	48	C12
BRAKE MASTER CYLINDER	25	C4
CABLE	56	E1
CAMSHAFT	10	B5
CAMSHAFT	44	C10
CLUTCH	74	B8
CRANKCASE	40	C6
CRANKCASE COVER	35	B8
CRANKSHAFT	30	B5
CYLINDER	2	B1
CYLINDER	130	C6
EXHAUST MUFFLER	90	E.9
FENDER FR	62	D7
FRAME	318	F.11
FUEL TANK	78	E.3
HANDLEBAR	56	D1
HEAD	2	B5
HEADLIGHT	94	C4
KICK STARTER SPRING	30	C.1
OIL FILTER	30	C1
OIL PUMP	24	B52
SHOCK ABSORBER FR	98	F.1
SPEEDOMETER	56	D4
STEERING STEM	60	E9
SWINGARM	98	F.1
TACHOMETER	56	D4
TAILLIGHT R	106	F.5
TAILLIGHT R 76	112	F.6
TRANSMISSION	30	C.3
TURIN SIGNAL R	106	F.5
TURIN SIGNAL R 76	112	F.6
WASHER (CRANKCASE)	46	C.12
WHEEL FR	70	D11
WHEEL FR	70	D11
WIRE HARNESS	118	F.11

1-86 AMERICAN HONDA MOTOR CO., LTD. 11044

CB550 ENGINE NO.; CB550E-1000001 TO SUBSEQUENT
CB550 FRAME NO.; CB550K-1000001 TO SUBSEQUENT
CB550K1 ENGINE NO.; CB550E-1029182 TO SUBSEQUENT
CB550K1 FRAME NO.; CB550K-1200001 TO SUBSEQUENT

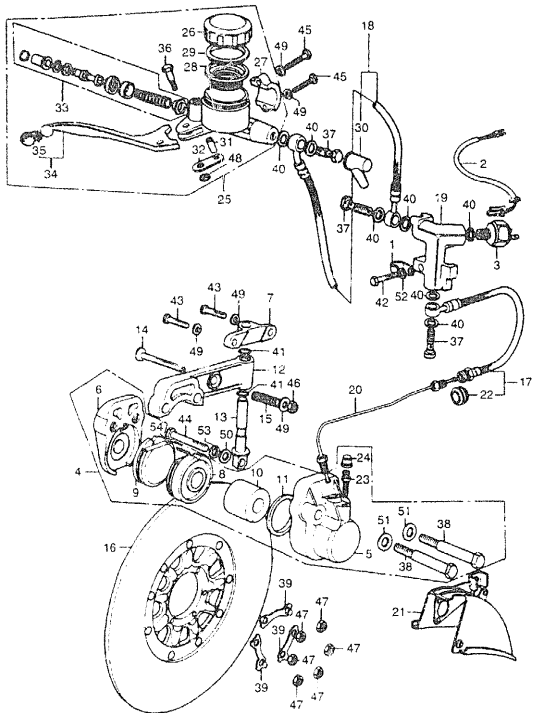
CB550K176 ENGINE NO.; CB550E-1067334 TO SUBSEQUENT
CB550K176 FRAME NO.; CB550K-1230001 TO SUBSEQUENT

1-86 AMERICAN HONDA MOTOR CO., LTD. 11044 1-87

GRID

G8

FRONT BRAKE MASTER • CYLINDER



F13374010

K = CB550 K1 = CB550K1 6 = CB550K76		C B S S O K	F R A M E S E R I A L N U M B E R	Q T Y	R E O	P A R T N U M B E R	H O N D A C O D E	
Rot. No.	BLOCK NO. DESCRIPTION							F-10
48	NUT, HEX., 6MM	K	K1	6	-----	1	94002-06000-0S	0181032
49	WASHER, PLAIN, 6MM	K	K1	6	-----	3	94101-06000	0059071
	WASHER, PLAIN, 6MM	K	K1	6	-----	3	94101-06080	3136074
	WASHER, PLAIN, 6MM	K	K1	6	-----	3	94101-06800	0345900
50	WASHER, PLAIN, 8MM	K	K1	6	-----	1	94101-08000	0059097
51	WASHER, PLAIN, 10MM	K	K1	6	-----	2	94102-10000	0172551
52	WASHER, SPRING, 6MM	K	K1	6	-----	1	94111-06000	0058974
53	WASHER, SPRING, 8MM	K	K1	6	-----	1	94111-08000	0058982
54	PIN, COTTER 1.6X22	K	K1	6	-----	1	94201-16220	0278838
NT	PAD, SET BRAKE	K	K1	6	-----	1	06455-390-40S	4357232
	BRAKE PAD KIT	K	K1	6	-----	1	451A0-390-670	3529336

CONTENTS

TITLE	PAGE	GRID
AIR CLEANER	78	E3
ALTERNATOR	24	B12
BOLT	48	C12
BRAKE MASTER FR	132	G6
CABLE	50	D1
CAMSHAFT	10	B5
CARBURETOR	44	C10
CLUTCH	16	B8
CRANKCASE	40	C8
CRANKCASE COVER	16	B8
CRANKSHAFT	10	B5
CYLINDER	2	B1
CYLINDER	132	G6
EXHAUST MUFFLER	90	E0
FENDER FR	62	D7
FRAME	118	F11
FUEL TANK	78	E3
HANDLEBAR	50	D1
HEAD	2	B1
HEADLIGHT	56	D4
KICK STARTER SPINDLE	30	C3
OIL FILTER	40	C8
OIL PUMP	24	B12
SHOCK ABSORBER, F.R.	98	F1
SPEEDOMETER	56	D4
STEERING STEM	62	D7
STEP	90	E0
SWINGARM	98	F1
TACHOMETER	56	D4
TAILLIGHT K	106	F5
TAILLIGHT K1-76	112	F8
TRANSMISSION	30	C3
TURN SIGNAL K	106	F5
TURN SIGNAL K1-76	112	F8
WASHER (CRANKCASE)	48	C12
WHEEL FR	70	D11
WHEEL RR	70	D11
WIRE HARNESS	118	F11

CB550 ENGINE NO.; CB550E-1000001 TO SUBSEQUENT
 CB550 FRAME NO.; CB550K-1000001 TO SUBSEQUENT
 CB550K1 ENGINE NO.; CB550E-10291R2 TO SUBSEQUENT
 CB550K1 FRAME NO.; CB550K-1200001 TO SUBSEQUENT

CB550K76 ENGINE NO.; CB550E-1067334 TO SUBSEQUENT
 CB550K76 FRAME NO.; CB550K-1230001 TO SUBSEQUENT

Part Number Index

Part Number	Grid	Page	Part Number	Grid	Page	Part Number	Grid	Page
92101-06020-0A	B9	67	93482-06025	B8	137	93600-06016-0G	E7	87
	E2	77	93482-06025-00	B8	137	93600-06018	C6	37
	G2	125	93500-03006-0A	E7	87	93700-03025-0B	F6	109
92101-06025-0A	B9	67		F9	115	93700-05015-0A	E2	77
	E7	87	93500-03008-0A	B9	67	93700-05020-0B	B9	67
	G3	127	93500-03008-0H	F9	115	93700-06010-02	B3	7
92101-06028-0A	F3	103	93500-03010-0A	C10	45	93700-06025-0B	F4	109
	G8	137	93500-03012-3B	B6	61		F9	115
92101-06040-0A	B3	7	93500-04012-0A	C10	45	93700-06025-02	F6	109
	E7	87	93500-04020-0A	E7	87		F9	115
92101-06045-0A	B3	7	93500-04055-4J	F0	109	93700-06032	B10	21
92101-08028-0A	E10	93		F9	115	93700-06032-0B	B10	21
92101-08040-0A	E11	95	93500-05006-0A	B3	7	93700-06032-02	B10	21
	F3	103	93500-05008-0A	F6	109	93901-25080	E7	87
	G3	127	93500-05012-0A	B10	21	93901-25310	C8	41
92101-10010-0A	G3	127		C10	45	93901-26110	C8	41
92101-10025-0B	B6	61	93500-05016-0A	C10	45	94000-06000-0S	B3	7
92101-10040-0A	E11	95	93500-05016-0B	B6	61		B7	15
92200-06016-0A	C1	27	93500-05016-0G	E11	95		B10	21
	C6	37	93500-05020-0A	B3	7		D3	55
	D9	67		G3	127		E7	87
	E7	87	93500-05025-0A	B3	55		E11	95
	F3	103	93500-05032-0A	B3	55		F3	103
			93500-06012	C1	27		F4	105
92200-06025	B8	137		C11	47		F7	111
92200-06025-0A	B8	137		C1	27		F10	117
92200-06032	C6	37	93500-06012-0A	C1	27		G3	127
92200-08035-0A	B8	137		C11	47		G8	137
92200-10050-0A	G3	127	93500-06012-00	C1	27	94001-05000-0S	C11	47
92200-10080-0A	G3	127		B3	7		B4	9
92201-06025-0A	B8	137	93500-06016	C1	27	*001-06000	B4	9
92600-08080-0B	F3	103	93500-06020	B3	7		B10	21
92700-08050-3B	D9	67		C1	27		D3	55
92700-08050-30	D9	67	93500-06025	B3	7		E7	87
92800-12000	C8	41	93500-06028	C1	27		E11	95
92900-08028-3B	D9	67	93500-06028-0A	C1	27		F3	103
93000-06028	E11	95	93500-06028-0A	C1	27		F6	109
93000-06028-0A	E11	95	93500-06032	B10	21		F10	117
93000-06028-0B	F6	109		C1	27		D3	55
93000-06028-02	F6	109		E7	87		E7	87
93000-06035-0B	F9	115	93500-06032-0A	B10	21	94001-06000-0S	B4	9
93000-06035-02	F9	115		C1	27		B7	15
93000-08050-0A	G3	127		E7	87		E11	95
93000-08050-0A	G3	127	93500-06035	C1	27		F3	103
93000-08055-0B	D2	53	93500-06035-0A	C1	27		F7	111
93000-08074-0B	D2	53	93500-06040	B3	7		F10	117
93000-08080-0B	F3	103	93500-06040-0A	B3	7		G3	127
93000-10032-0A	F3	103		E11	95		G8	137
93100-06028-0B	F6	109	93500-06055-0A	C1	27	94030-08000	D9	67
93100-08040-0B	D2	53	93500-06065	C1	27	94030-10000	E2	77
93100-10032-0A	F3	103	93500-06075	B10	21		E11	95
93101-06028-0B	F6	109	93500-06080	B10	21		G3	127
93101-06035-0B	F9	115	93500-06080-0A	B10	21	94030-12000	G3	127
93101-08040-0B	D5	55	93600-06016	C11	47	94050-06000	F10	117
93200-06032-0A	G3	127	93600-06016-0A	C11	47		G3	127

Part Number Index

Part Number	Grid	Page	Part Number	Grid	Page	Part Number	Grid	Page
94001-06008-0S	B10	21	94050-08000	B2	5	94102-08000	B4	129
	D3	55		E10	93	94102-10000	B10	69
	E7	87	94050-08000-0S	B2	5		E11	95
	E11	95		E10	93		G9	139
	F3	103	94101-03000	D9	67	94103-06800	E7	87
	F7	111	94101-05000	B10	21	94108-18000	B8	137
	G10	117		G3	127	94109-12000	C8	41
	G13	127	94101-06000	B4	9	94111-03000	C11	47
	B10	21		B10	21	94111-05000	C11	47
94001-06070	D6	61		C1	27		D3	55
94001-06070-0S	D6	61		D9	67		D10	61
94001-06200-0S	B4	9		E7	87		B6	69
	B7	15		E11	95		G4	129
	B10	21		F3	103	94111-06000	C2	29
	D3	55		F7	111		E8	89
	E7	87		F10	117		E11	95
	E11	95		G3	127		G4	129
	F3	103		G9	139		G9	139
	F7	111	94101-06800	B4	9	94111-06700	D6	61
	F10	117		B10	21	94111-08000	D6	61
	G3	127		C1	27		D10	69
	G8	137		D9	67		E11	95
	E7	87	94001-08000-0S	D6	61		G4	129
	E11	95		E11	95		G9	139
	F3	103		F4	105	94111-10000	D6	61
	G3	127		F7	111		E11	95
	G8	137		F10	117		F4	105
94001-08020-0S	B3	55		G3	127		F7	111
94001-10000-0S	E11	95		G9	139		G4	129
	F7	111	94101-06200	C2	29	94111-12000	F10	117
94001-12000-0S	F10	117	94101-06700	D6	61		G4	129
94002-06000-0S	G3	127	94101-06800	B4	9	94201-16150	E11	95
	G9	139		B10	21	94201-16220	G9	139
94002-08000-0S	F3	103		C2	29	94201-16250	E11	95
94002-10030-0S	F2	101		D9	67	94201-20150	B10	21
94021-06020	D6	61		E8	89	94201-20180	F4	105
94030-06000	B4	9		E11	95	94201-20200	F4	105
	F10	117		F4	105	94201-20220	F4	105
	B10	21		F7	111	94201-20250	F4	105
	D3	55		F10	117	94201-20320	F4	105
	E7	87		G3	127	94201-20350	F4	105
	E11	95		G9	139	94201-25200	E2	77
94101-08000	D9	67		F4	105	94201-25250	E2	77
	E11	95		G4	129		E11	95
	F4	105		G3	127		E2	77
	G4	129		G9	139	94201-25300	E12	97
	G9	139		G12	127		E12	97
94030-08000	D9	67	94101-08200	D6	61	94201-29220	F4	105
94030-10000	E2	77		F4	105	94201-40300	E2	77
	E11	95		F7	111	94251-05000	D6	61
	F10	117		G3	127	94251-06000	F8	89
	G3	127		G9	139	94251-08000	F4	105
94030-12000	G3	127	94101-10200	D6	61	94301-08140	B10	21
94050-06000	F10	117		F4	105		C8	41
	G3	127	94101-1200	F4	105	94301-12180	B4	9

Description Index

Description	Grid	Page	Ref. No.	Description	Grid	Page	Ref. No.
(A)				BATTERY ASSY	F11	119	16
				BEAM UNIT, SEALED	D4	57	11
ADJUSTER K. CHAIN	F4	105	65	BEARING A. CONNECTING ROD	B5	11	8
ADJUSTER RR SHOCK SPRING	F1	99	22	BEARING A. CRANKSHAFT	B5	11	10
ADJUSTER SPRING	F1	99	22	BEARING B. CONNECTING ROD	B5	11	8
ADJUSTER THROTTLE GRIP	D1	51	16	BEARING B. CRANKSHAFT	B5	11	10
ADVANCER ASSY. SPARK	B9	19	24	BEARING C. CONNECTING ROD	B5	11	8
ARM ASSY. KICK STARTER	F11	119	3	BEARING C. CRANKSHAFT	B5	11	10
	F11	119	2	BEARING COMP. OIL PUMP	G4	33	43
ARM COMP. KICK STARTER	F11	119	3	BEARING D. CONNECTING ROD	B5	11	8
	F11	119	2	BEARING D. CRANKSHAFT	B6	13	10
ARM COMP. L. STEP	E10	93	30	BEARING BALL. 16005	C5	35	75
ARM COMP. R. STEP	E10	93	27	BEARING BALL. S205HS	C5	35	73
ARM SET A LINK	C10	45	8	BEARING BALL. 6302U	E2	77	58
ARM SET B LINK	C10	45	13	BEARING BALL. 6304U	E2	77	59
ARM RR BRAKE	D12	73	25	BEARING NEEDLE. 20MM	C3	31	23
ARM RR BRAKE STOPPER	F1	99	8	BEARING NEEDLE. 20MM	C5	35	76
ARM VALVE ROCKER	B6	13	14	BEARING NEEDLE. 25X29X17	C5	35	74
AXLE FR WHEEL	D12	73	26	BEARING RADIAL BALL. 6205	C7	39	95
AXLE RR WHEEL	D11	71	6	BEARING RADIAL BALL. 63-22	C5	35	71
				BEARING RADIAL BALL. 6304U	E2	77	59
				BEARING RADIAL BALL. 6305	C5	35	71
				BEARING RADIAL BALL. 6305U	E2	77	60
				BEARING RADIAL BALL. 6322	C5	35	71
				BEARING SPECIAL BALL. 5205	C5	35	72
(B)				RODY SET VALVE	E3	79	4
BAG SERVICE BOOK	F5	83	62	BOLT A. CYLINDER STUD	C8	41	19
BAG TOOL	F2	125	65	BOLT B. CYLINDER STUD	C8	41	20
BAG TOOL. 20X6MM	F2	125	65	BOLT WASHER. 6X25	G8	137	45
BALANCER WHEEL	D12	73	29	BOLT BRAKE PEDAL ADJUSTING	E10	93	38
BALL STEEL #10	G4	129	108	BOLT CALIPER ADJ.	D2	53	23
BALL STEEL #8	D10	69	62	BOLT CALIPER ADJ.	G7	135	14
BAND A. AIR CLEANER CONNECTING TUBE	E3	75	18	BOLT CALIPER ADJUSTING	G6	133	4
BAND A. CABLE	G4	129	105	BOLT CALIPER SETTING	B8	137	38
BAND A2. CABLE	G4	129	106	BOLT CAP. 6X80	F3	73	53
BAND B. AIR CLEANER CONNECTING TUBE	B2	5	24	BOLT CHAIN ADJ.	F2	101	36
BAND CLEANER	B2	5	24	BOLT CONNECTING ROD	B5	11	6
BAND F. BATTERY	G4	129 ^a	104	BOLT DRAIN PLUG. 1/2MM	C8	41	24
BAND BATTERY	G4	129	104	BOLT FLANGE	D9	67	47
BAND MUFFLER CONNECTING	E9	91	13	BOLT FLANGE. 10X35	D9	67	47
BAR ASSY. SEAT LOCK	E5	83	57	BOLT FLANGE. 6X100	C12	49	8
BAR ASSY. SIDE STAND	E10	93	22	BOLT FLANGE. 6X105	E12	49	9
BAR R. HANDLE	G4	129	120	BOLT FLANGE. 6X122	B7	15	40
BAR B. PILLION STEP	E12	97	68	BOLT FLANGE. 6X32	B6	9	57
BAR COMP. L. STEP	E10	93	29	BOLT FLANGE. 6X32	B8	137	43
BAR COMP. R. STEP	E10	93	26	BOLT FLANGE. 6X40	C12	49	4
BAR PILLION FOOTPEG	E10	93	37	BOLT FLANGE. 6X40	C12	49	5
BAR SEAT HINGE	E5	83	49	BOLT FLANGE. 6X50	C12	49	6
BAR SIDE STAND	E10	93	21	BOLT FLANGE. 6X55	B10	21	48
BASE COMP. TAILLIGHT	F5	107	21	BOLT FLANGE. 6X55	C2	29	43
	F8	113	19	BOLT FLANGE. 6X55	C12	49	7
BASE FR REFLEX REFLECTOR	D7	63	2	BOLT FLANGE. 6X65	B4	9	58
BASE LAMP SOCKET	D1	51	8	BOLT FLANGE. 7X54	D2	53	33
BASE R. FR TURN SIGNAL	F8	113	2	BOLT FLANGE. 6X100	C12	49	10
BASE TURN SIGNAL	F5	107	3	BOLT FLANGE. 6X145	C12	49	1
	F5	107	2				

Description Index

Description	Grid	Page	Ref. No.	Description	Grid	Page	Ref. No.
BOLT. FLANGE. 6X36	D3	55	35	BOLT HEX. 6X100	C12	49	2
BOLT FR. FENDER SETTING	F6	109	36	BOLT HEX. 6X128	E10	93	80
BOLT FR. FURN	F9	115	34	BOLT HEX. 6X28	G3	127	85
BOLT FR. FURN SIGNAL MOUNT	D8	65	37	BOLT HEX. 6X32	G8	137	45
	F6	109	35	BOLT HEX. 6X35	G8	137	45
	F9	115	33	BOLT HEX. 6X40	D2	53	35
BOLT. HANDLEBAR CONTROL LEVER PIVOT	D2	53	28		E10	93	43
	G8	137	36		F3	103	52
BOLT. HANDLEBAR LEVER PIVOT	D2	53	28		G3	127	78
BOLT HEX KNOCK. 7X12	B6	13	31	BOLT HEX. 6X50	G3	127	83
BOLT HEX. 6X28	F6	109	39	BOLT HEX. 6X55	G3	127	84
BOLT HEX. 10X25	D6	61	32	BOLT HEX. 6X65	D2	53	33
BOLT HEX. 10X32	F3	103	54	BOLT HEX. 6X75	G3	127	79
BOLT HEX. 10X35	D9	67	47	BOLT HEX. 6X74	D2	53	34
	E11	95	44	BOLT HEX. 6X80	F3	103	53
BOLT HEX. 10X40	E11	95	45	BOLT INSTRUMENT SETTING 6MM	D4	57	18
BOLT HEX. 10X50	G3	127	81	BOLT KICK ARM	F11	119	4
BOLT HEX. 10X80	G3	127	82	BOLT OIL	G8	137	37
BOLT HEX. 5X14	G2	125	74	BOLT OIL FILTER CENTER	C8	41	15
BOLT HEX. 5X20	F6	109	38	BOLT RR BRAKE STOPPER ARM	F2	101	39
	F9	115	37		F2	101	39
BOLT HEX. 5X25	F9	115	37	BOLT RR ENGINE HANGER LOWER	G2	125	67
BOLT HEX. 6X10	D9	67	43	BOLT RR ENGINE UPPER	G2	125	68
BOLT HEX. 6X12	C1	27	26	BOLT RR SWINGARM PIVOT	F2	101	37
	C6	37	84	BOLT SOCKET. 8MM	B8	65	36
	E7	87	79	BOLT STUD. 10X48MM	E2	77	43
	F3	103	48	BOLT STUD. 6X32	B2	5	26
	G2	125	75	BOLT STUD. 6X40	B2	5	27
BOLT HEX. 6X14	C6	37	85	BOLT STUD. 6X50	D9	67	48
	F3	103	49	BOLT TAILLIGHT SETTING	F6	109	36
BOLT HEX. 6X16	C1	27	30		F9	115	34
	C6	37	86	BOLT THROTTLE GRIP ADJUSTING	D2	53	21
	D9	67	44	BOLT UBS. 10X32	C1	27	24
	E7	87	80	BOLT 8X102	E2	77	42
	F3	103	50	BOOT, FR SHOCK	D7	63	21
BOLT HEX. 6X20	C6	37	87	BOOT, MASTER CYLINDER	G7	135	30
	D9	67	45	BOX ASSY. FUSE	F12	121	26
	E2	77	53	BOX ASSY. SPEEDOMETER GEAR	E2	77	40
	G2	125	76	BOX BATTERY	G1	123	47
BOLT HEX. 6X22	B10	21	36	BRACKET A. L. MUFFLER	E9	91	10
BOLT HEX. 6X25	D9	67	46	BRACKET A. R. MUFFLER	E9	91	6
	E7	87	81	BRACKET B. IGNITION COIL	F11	119	11
	G3	127	77	BRACKET B. L. MUFFLER	E9	91	9
	B8	137	43	BRACKET B. L. PILLION STEP	E12	97	69
BOLT HEX. 6X28	E11	95	46	BRACKET B. R. MUFFLER	E9	91	5
	F3	103	51	BRACKET RR ENGINE HANGER	G1	123	51
	F6	109	39	BRACKET IGNITION COIL	F11	119	10
	B8	137	42	BRACKET L. PILLION FOOTPEG	E10	93	35
BOLT HEX. 6X32	C6	37	88	BRACKET MAIN SWITCH	G1	123	55
BOLT HEX. 6X35	F9	115	38	BRACKET NUMBER PLATE	F6	109	33
BOLT HEX. 6X40	B3	7	43		F9	115	31
	E7	87	82	BRACKET R. PILLION FOOTPEG	E10	93	34
BOLT HEX. 6X45	B3	7	44	BRACKET RR ENGINE HANGER	G1	123	52
BOLT HEX. 6X50	B3	7	45	BRAKE PAD KIT	G9	139	N1

Description Index

Description	Grid	Page	Ref. No.	Description	Grid	Page	Ref. No.
BRAKE SHOE KIT	E2	77	N1	CAP ASSY. C. NOISE SUPPRESSOR	F11	119	13
BRIDGE FORK TOP	D2	53	24	CAP ASSY. NOISE SUPPRESSOR	F11	119	13
BRUSH SET. CARBON	B12	25	16	F11	119	12	
BULB. DASH	D4	51	4	CAP B. OIL PATH	C8	41	10
BULB. STOP & TAILLIGHT	F6	109	29	CAP COMP. FUEL TANK	E4	81	34
BULB. TAILLIGHT	F9	115	27	CAP BLEEDER SCREW	G7	135	24
BULB. TURN SIGNAL	F6	109	30	CAP. CONTROL LEVER	D1	51	19
BULB. TURN SIGNAL	F9	115	28	CAP. DUST SEAL	F8	137	35
BULB. TURN SIGNAL	F6	109	29	CAP. KICK ARM	F11	119	5
BULB. 12V23 7W 1034	F9	115	29	CAP. OIL CUP	G7	135	26
BUMPER. RR	F2	101	32	CAP. OIL PATH	B12	25	11
BUSH. R HANDLEBAR CONTROL LEVER	G7	135	11	CAP. STARTING CLUTCH ROLLER SPRING	D4	33	50
BUSH. RR SWINGARM PIVOT	F1	99	11	CAP. TACHOMETER	B2	5	19
BUSH. RR SWINGARM PIVOT THRUST	F1	99	12	CAP. VALVE ADJ.	B1	3	16
BUSH. SWINGARM PIVOT	F1	99	11	CARBURETOR ASSY.	C10	45	16
BUZZER ASSY. TURN SIGNAL	G1	123	43	CARBURETOR ASSY. A	C10	45	17
				CARBURETOR ASSY. B	C10	45	18
				CARBURETOR ASSY. C	C10	45	19
				CARBURETOR ASSY. D	C10	45	20
				CASE. AIR CLEANER ELEMENT SEAL	E3	79	20
				CASE. DRIVE CHAIN	F1	99	2
				CASE. HEADLIGHT	D6	61	27
				CASE. L. FR. FORK LOWER	D7	63	17
				CASE. OIL FILTER	C8	41	11
				CASE. R. FORK BOTTOM	D7	63	12
				CASE. RR DAMPER UPPER	F1	99	21
				CENTER COMP. CLUTCH	B8	17	6
				CENTER. GEARSHIFT DRUM	C4	33	32
				CHAIN CAM	B6	13	13
				CHAIN DRIVE	F1	99	5
				CHAIN PRIMARY DRIVE	C3	31	10
				CHAMBER COMP. AIR CLEANER	E3	79	19
				CHAMBER SET A. FLOAT	C10	45	6
				CHAMBER SET B. FLOAT	C10	45	9
				CIRCLIP. EXTERNAL 12MM	C6	37	91
				CIRCLIP. EXTERNAL 18MM	G7	39	92
				CIRCLIP. EXTERNAL 20MM	G7	39	93
				CIRCLIP. EXTERNAL 25MM	B10	21	47
				CIRCLIP. EXTERNAL 30MM	C5	35	70
				CIRCLIP. INTERNAL 48MM	C7	39	94
				CLAMP. CABLE	G6	133	1
				CLAMP. TACHOMETER CABLE	G2	125	57
				CLIP A. FUEL TANK MOUNTING	E5	83	41
				CLIP B. FUEL TANK MOUNTING	E5	83	42
				CLIP. BREATHER TUB.	B2	5	20
				CLIP. CABLE HARNESS	E3	79	1
				CLIP. COIL WIRE	F12	121	29
				CLIP. FR. BRAKE CABLE	D1	51	12
				CLIP. GEARSHIFT FORK GUIDE	C4	33	29
				CLIP. OIL DRAIN	B2	5	20
				CLIP. PISTON PIN 15MM	G7	15	39

(C)

Description Index

Description	Grid	Page	Ref. No.	Description	Grid	Page	Ref. No.
CLIP. TUBE B10	E8	89	94	COVER AIR CLEANER ELEMENT	E3	79	27
CLIP. TUBE B7	C11	47	33	COVER BATTERY TERMINAL	F12	121	32
CLIP. TUBE C11	C9	43	32	COVER BUZZER	G1	123	44
COIL ASSY. IGNITION	F11	119	7	COVER CABLE HARNESS CONNECTOR	F12	121	25
COIL COMP. FIELD	B12	25	14	COVER CYLINDER HEAD	F12	121	24
COIL. L. IGNITION	F11	119	9	COVER CYLINDER HEAD SIDE	B1	3	10
COIL. R. IGNITION	F11	119	8	COVER CYLINDER HEAD SIDE	B1	3	13
COLLAR A. RR. FENDER	F6	109	32	COVER FUSE BOX	F12	121	27
	F9	115	30	COVER GEAR BOX RETAINER	E1	75	34
COLLAR A. 6.3MM	G6	129	107	COVER L. FR. FORK UPPER	D7	63	20
COLLAR B. RR. AXLE DISTANCE	D11	71	14	COVER L. SIDE	E6	85	68
COLLAR BATTERY BOX	G1	123	50	COVER R. FR. FORK UPPER	D7	63	19
COLLAR CHAIN CASE	D7	63	4	COVER R. SIDE	E5	85	67
	F1	99	3	COVER STARTING MOTOR TERMINAL	F12	121	31
COLLAR EX. JOINT	E9	91	2	CRANKCASE SET	C8	41	1
COLLAR. RR. AXLE DISTANCE	E1	75	32	CRANKSHAFT COMP.	B5	11	9
COLLAR. FR. WHEEL SIDE	D12	73	27	CUP. FUEL STRAINER	E3	79	5
COLLAR. GEARSHIFT DRUM STOPPER	C4	33	36	CYLINDER ASSY. MASTER	G7	135	25
COLLAR. HEADLIGHT CASE	D6	61	28	CYLINDER COMP.	B1	3	3
COLLAR. HEADLIGHT SETTING	D6	61	30	CYLINDER SET. MASTER	G7	135	33
COLLAR. INSTRUMENT SETTING	D5	59	20				
COLLAR. L. ENGINE UPPER	G1	123	54				
COLLAR. LICENSE PLATE BRACKET	F6	109	34				
	F9	115	32				
COLLAR. NUMBER BRACKET SETTING	G6	125	62	DAMPER A. RR.	D11	71	4
COLLAR. O-RING	B12	25	10	DAMPER ASSY. RR.	F1	99	20
COLLAR. R. ENGINE LOWER SIDER	G1	123	53	DAMPER B. RR.	D11	71	5
COLLAR. RR. AXLE DISTANCE	D11	71	13	DAMPER COMP. RR.	F1	99	20
COLLAR. RR. BRAKE PANEL SIDE	D11	71	8	DAMPER. CAM CHAIN TENSIONER	B6	13	19
COLLAR. RR. FENDER	E6	85	69	DIAPHRAGM	G7	135	28
COLLAR. RR. SWINGARM CENTER	F1	99	14	DISK B. CLUTCH FRICTION	B8	17	8
COLLAR. RR. WHEEL SIDE	D11	71	7	DISK COMP. FR. BRAKE	E2	77	61
COLLAR. SEAT	E5	83	59		G7	135	16
COLLAR. SEAT LOCK BAR	E5	83	59	DISK. CLUTCH FRICTION	B8	17	7
COLLAR. STAND RUBBER SETTING	E10	93	24	DRIVER 1. PL. JS SCREW	G4	129	115
COLLAR. TAILLIGHT UNIT	F9	115	32	DRIVER 2. PLUS SCREW	G4	129	116
COLLAR. 22X136	C3	31	6	DRIVER 3. MINUS SCREW	G4	129	117
COLLAR. 25MM	B8	17	5	DRUM ASSY. GEARSHIFT	C4	33	30
CONDENSER COMP.	B9	19	26	DRUM. GEARSHIFT	C4	33	31
CONTROL LEVER. R. HANDLEBAR	G8	137	34	DUST SEAL. BRAKE CAM	E2	77	41
COR. COMP. PILOT LAMP	D1	51	11	DUST SEAL. STEERING HEAD	D7	63	23
COTTER. LEVER	B6	13	29	DUST SEAL. 22X36X8	E2	77	49
COTTER. VALVE IN	B6	13	29				
COUNTERSHAFT COMP. TRANSMISSION	C3	31	12				
COVER A. ALTERNATOR	B12	25	3				
COVER B. ALTERNATOR	B12	25	4				
COVER COMP. BREATHER	B1	3	11	ELEMENT	E3	79	29
COVER COMP. DISK	G7	135	21	ELEMENT. AIR CLEANER	E3	79	15
COVER COMP. HANDLEBAR LOCK CASE	D8	65	28	ELEMENT. OIL ELEMENT	C8	41	12
COVER COMP. L. CRANKCASE	B12	25	1	ELEMENT. OIL FILTER	C8	41	12
COVER COMP. POINTS	B9	19	27	EMBLEM. L. FUEL TANK	E6	85	71
COVER COMP. R. CRANKCASE	B8	17	1	EMBLEM. H. FUEL TANK	E6	85	70
COVER COMP. STARTING MOTOR	B12	25	19	EMBLEM. L. FUEL TANK	E6	85	70
COVER. AIR CLEANER	E3	79	21		E6	85	71

(D)

(E)

Description Index

Description	Grid	Page	Ref. No.	Description	Grid	Page	Ref. No.
EMBLEM, R. FUEL TANK	E6	85	70	GASKET, TAILLIGHT LENS	F8	113	21
	E6	85	71	GASKET, TURN SIGNAL LENS	F5	107	8
EMBLEM, SIDE COVER	E6	85	72		F8	113	5
				GASKET, VALVE	E3	79	8
(F)				GASKET, VALVE BODY	E3	79	14
					E3	79	13
FELT OIL	B9	19	22	GAUGE, OIL LEVEL	BB	17	3
FENDER ASSY. B. RR	F2	101	31	GEAR, COUNTERSHAFT FOURTH	C3	31	17
FENDER B. ASSY. RR	F2	101	31		C3	31	18
FENDER COMP. A. RR	F2	101	29	GEAR, COUNTERSHAFT LOW	C3	31	13
FENDER COMP. FR	D8	65	32	GEAR, COUNTERSHAFT SECOND	C3	31	15
				GEAR, COUNTERSHAFT THIRD	C3	31	18
FITTING GREASE	F4	105	66		C3	31	17
FITTINGS GREASE, A.45	F4	105	66	GEAR, COUNTERSHAFT TOP	C3	31	20
FITTING GREASE, B.76	F4	105	67	GEAR, MAIN SHAFT SECOND & THIRD	C3	31	14
FLANGE, FINAL DRIVEN	D11	71	12	GEAR, MAINSHAFT FOURTH	C3	31	16
FLAP, TIRE	D12	73	18	GEAR, MAINSHAFT TOP	C3	31	19
	E2	77	39	GEAR, PRIMARY DRIVE	C3	31	5
FLASHER	G1	123	41	GEAR, STARTER REDUCTION	C4	33	44
FLOAT SET	C10	45	4	GEAR, STARTING CLUTCH	C4	33	46
FORK ASSY. L. FR	D7	63	16	GEAR, TACHOMETER	B1	3	18
FORK ASSY. R. FR	D7	63	8	GRIP	G4	129	119
FORK, CENTER GEARSHIFT	C4	33	25	GRIP, L. HANDLEBAR	D1	51	18
FORK, L. GEARSHIFT	C4	33	26	GRIP, R. HANDLEBAR	D1	51	17
FORK, R. GEARSHIFT	C4	33	24	GROMMET, A. AIR CLEANER CASE	E3	79	17
FRAME COMP.	G1	123	46	GROMMET, AIR CLEANER CASE	E5	83	66
FUEL LATCH ASSEMBLY, FUEL FILLER CAP	E2	83	45	GROMMET, BRAKE HOSE	B7	133	22
FUSE A	G4	129	111		D7	63	5
	G4	129	110		F1	99	1
	G4	129	109		F2	101	30
FUSE, GROMMET	F12	121	28	GROMMET, METER PLATE	D4	57	17
				GUIDE A. OIL	C8	41	2
(G)				GUIDE B. OIL	C8	41	3
				GUIDE, BREATHER	G2	125	70
GARNISH, L. SEAT MOLDING	E5	83	56	GUIDE, CAM CHAIN	B6	15	21
GARNISH, R. SEAT MOLDING	E5	83	55	GUIDE, EX. VALVE	B1	3	2
GASKET, B. TAILLIGHT BASE	F6	109	27	GUIDE, IN. VALVE	B1	3	1
	F9	115	25				
GASKET SET	C10	45	1	(H)			
GASKET, ALTERNATOR COVER	B12	25	6	HANDLE, EYE WRENCH, 120MM	G4	129	121
GASKET, BREATHER COVER	B1	3	12	HANDLEBAR	D1	51	33
GASKET, CYLINDER	B1	3	4	HARNES, WIRE	F12	121	21
GASKET, CYLINDER HEAD	B1	3	9	HARNES, SUB WIRE	F12	121	23
GASKET, CYLINDER HEAD COVER	B1	3	17	HARNES, WIRE	F12	121	21
GASKET, EX. PIPE	B9	91	4	HEAD, COMP. CYLINDER	B1	3	5
GASKET, FR. FORK DRAIN VALVE	EB	65	40	HEADLIGHT ASSY	D4	57	1
GASKET, FUEL FILLER CAP	E4	81	36	HINGE, SEAT	E5	83	51
GASKET, FUEL STRAINER CUP	E3	79	10	HOLDER SET A. ADJ.	C10	45	11
GASKET, OIL PAN	C8	41	6	HOLDER SET B. ADJ.	C10	45	12
GASKET, POINT COVER	B9	19	28	HOLDER, C. FR. FORK AXLE	D10	69	61
GASKET, R. CRANKCASE COVER	BB	17	2	HOLDER, CALIPER	G6	133	12
GASKET, STARTING MOTOR COVER	B12	25	20	HOLDER, FR. TURN SIGNAL SOCKET	F5	107	6
GASKET, TAILLIGHT LENS	F6	109	23				

Description Index

Description	Grid	Page	Ref. No.	Description	Grid	Page	Ref. No.
HOLDER, FR. TURN SIGNAL SOCKET	F8	113	6	LOCK COMP., HANDLEBAR	G2	125	58
HOLDER, MASTER CYLINDER	D7	135	27				
HOLDER, UPPER	G1	51	14	(I)			
HORN ASSY.	G1	123	40	MAINSHAFT COMP. TRANSMISSION	C3	31	11
HOSE A. FR. BRAKE	G7	135	17	MANFOLD A. IN.	B1	3	7
HOSE ASSY. A. FR. BRAKE	G7	135	17	MANFOLD B. IN.	B1	3	8
HOSE B. FR. BRAKE	G7	135	18	MARK, BATTERY CAUTION	G6	125	63
HUB COMP., RR. WHEEL	D11	71	10	MARK, DRIVE CAUTION	E6	85	74
HUB, FR. WHEEL	D12	73	28	MARK, TIRE CAUTION	F2	101	34
HUB, PRIMARY DRIVE SPROCKET	C3	31	9	MIRROR, L.	D2	53	27
				MIRROR, R.	D2	53	26
(J)				MOTOR ASSY., STARTING	B12	25	15
INSULATOR, CARBURETOR	B2	5	23	MOLDING, SET, FUEL TANK	E4	81	37
				MOLDING, FUEL TANK MIDDLE	E4	81	40
				MOLDING, L. FUEL TANK	E4	81	39
				MOLDING, L. TANK MIDDLE	E5	83	44
(K)				MOLDING, R. FUEL TANK	E4	81	38
JET, SECONDARY MAIN	C11	47	35	MOLDING, R. TANK MIDDLE	E5	83	43
JET, SLOW	C11	47	34	MUFFLER COMP. 1. EX.	E9	91	4
JOINT, BRAKE ARM	E12	97	65	MUFFLER COMP. 2. EX.	E9	91	7
JOINT, CALIPER HOLDER	G6	133	7	MUFFLER COMP. 3. EX.	E9	91	8
JOINT, DRIVE CHAIN	F1	99	6	MUFFLER COMP. 4. EX.	E9	91	11
JOINT, EX. PIPE	E9	91	1				
JOINT, THREE-WAY	G7	135	19	(N)			
JOINT, UPPER	F1	99	19	NEEDLE SET, JET	C10	45	3
				NET COMP., TOOL TRAY	E5	83	65
(L)				NUT, B. BRAKE ROD ADJ.	E12	97	66
KEY SET	F12	121	34	NUT, AXLE, 12MM	E2	77	44
				NUT, CAP, 6MM	D6	61	37
				NUT, CONNECTING ROD	B5	11	7
				NUT, EMBLEM CLAMP	E6	85	73
LABEL, ACCESSORIES & LOADING CAUTION	F2	101	35	NUT, FIXING	D2	53	29
LABEL, DRIVE CAUTION	E6	85	74	NUT, FLANGE, 6MM	F10	117	42
LABEL, MUFFLER CAUTION	F2	101	33	NUT, FLANGE, 7MM	G3	127	87
LENS, FR. TURN SIGNAL	F5	107	5	NUT, FLANGE, 8MM	B2	5	28
	F8	113	3	E10	93	40	
LENS, TAILLIGHT	F5	107	20	NUT, FR. AXLE	E2	77	44
	F8	113	18	NUT, HEADLIGHT BEAM ADJ.	D4	57	5
LEVER COMP., CLUTCH	BB	17	13	NUT, HEX., 10MM	E2	77	55
LEVER COMP., CATCH ADJUSTING	B9	19	16	E11	95	51	
LEVER COMP., L. HANDLE	D1	51	20	E11	95	50	
LEVER COMP., R. HANDLEBAR	G7	135	34	F2	101	26	
LEVER, TIRE	G6	129	118	F7	111	45	
LEVER, VALVE	E3	79	7	G3	127	90	
LID, SEAT	E5	83	63	F10	117	43	
LID, SEAT LOWER	E5	83	61	NUT, HEX., 5MM	G3	127	91
LOCK ASSY., SEAT	E5	83	60	NUT, HEX., 6MM	C11	47	29
	G2	125	59	D9	67	51	
LOCK COMP., HANDLEBAR	D8	65	30	B3	7	53	

Description Index

Description	Grid	Page	Ref. No.	Description	Grid	Page	Ref. No.
NUT HEX 6MM	B7	15	38	O-RING 6MM	B10	21	34
	B10	21	42	O-RING 6X3	B3	7	42
	D3	55	38	O-RING 60X14	B12	25	18
	D6	61	35	O-RING 61-8X20	B5	7	39
	E7	87	88	O-RING 79X26	E2	77	50
	E11	99	111	O-RING 88X45	C6	61	22
	F3	103	55	O-RING 95X17	G8	137	41
	F6	109	44	O-RING 92X2	E2	77	51
	F9	115	42	OIL SEAL 10X16X4.5	B9	19	33
	G3	127	87	OIL SEAL 12X25X4.5	C6	37	79
	G3	127	89	OIL SEAL 13.8X24X5	C6	37	80
	G8	137	46	OIL SEAL 14X24X5	C6	37	80
	G9	139	48	OIL SEAL 18X29X7	B9	19	32
NUT HEX 8MM	D3	55	39	OIL SEAL 30X42XK	B6	13	35
	D6	61	36	OIL SEAL 30X45X8	B6	13	36
	D9	67	52	OIL SEAL 32X57X7	E6	37	81
	E11	95	49	OIL SEAL 34X55X9	E2	77	48
	F3	103	57	OIL SEAL 34X8	C6	37	82
	F3	103	56	OIL SEAL 35X48X11	B8	65	42
	G3	127	88	OIL SEAL 4.8X14.5X4	B2	5	35
	G8	137	47	OPEN END WRENCH 10X12	G4	129	112
	F2	101	26	OPEN END WRENCH 14X17	G4	129	113
NUT LOCK 13MM	F2	101	41	OPEN END WRENCH PIN 45MM	G5	131	123
NUT LOCK 14MM	F2	101	41	OUTER COMP. CLUTCH	B8	17	4
NUT RR ORNAMENT CLAMP	E6	85	73	OUTER STARTING CLUTCH	C4	35	48
NUT RR SHOCK ABSORBER UPPER	F2	101	40				
NUT RR WHEEL AXLE	E2	77	45				
NUT SPEED 3MM	E6	85	75				
NUT STEERING STEM	D8	65	38				
NUT TAPPET ADJ	B6	13	32				
NUT UNIT HOLDER	D4	57	8				
				PAD COMP A	G6	133	8
				PAD COMP B	G6	133	9
				PAD SET BRAKE	G9	139	N1
				PAN OIL	C8	41	5
				PANEL COMP. RR BRAKE	D12	73	19
				PEDAL BRAKE	E9	91	15
				PEDAL GEAR CHANGE	F11	119	1
				PIECE AIR CLEANER JOINT	E4	81	32
				PIECE FENDER MOUNT	B8	65	35
				PIECE OIL CLEAK	D7	63	14
				PIN A DOWEL 6X14	B10	21	46
				PIN B DOWEL 10X16	B4	9	28
				PIN B BRAKE ROD JOINT	E12	97	67
				PIN B DOWEL 10X16	B4	9	56
				PIN C 43	C9	43	30
				PIN B DOWEL 6X10	C9	43	29
				PIN B FUEL FILLER CAP	E4	81	35
				PIN B PULLION FOOTPEG	E12	97	70
				PIN C DOWEL 6X14	C6	37	90
				PIN C PULLION FOOTPEG	E12	97	71
				PIN CALIPER HOLDER	B6	133	13
				PIN COTTER 1.6X1.5	E11	95	58
				PIN COTTER 1.6X2.2	G9	139	54
				PIN COTTER 1.6X2.5	E11	95	58
				PIN COTTER 2.0X1.5	B10	21	45

Description Index

Description	Grid	Page	Ref. No.	Description	Grid	Page	Ref. No.
PIN COTTER 2.0X1.8	F4	105	63	PLATE POINT'S SHIFT	B9	19	23
PIN COTTER 2.0X2.0	F4	105	63	PLATE RATCHET GUIDE	C5	35	50
PIN COTTER 2.0X2.2	F4	105	63	PLATE SEAL	E3	79	30
PIN COTTER 2.0X2.5	F4	105	63	PLATE SEAT LOCK MOUNT	E5	85	48
PIN COTTER 2.0X3.2	F4	105	63	PLATE SPEEDOMETER UNDER	D4	57	16
PIN COTTER 2.0X3.5	F4	105	63	PLATE SPEEDOMETER SIDE	D11	71	2
PIN COTTER 2.5MM	E2	77	56	PLATE TACHOMETER UNDER	D5	59	27
	E11	95	59	PLATE TURN SIGNAL BUZZER	G1	123	49
PIN COTTER 4.0X3.0	E2	77	57	PLUERS 135	G4	129	114
PIN DOWEL 12X18	B4	9	55	PLUG CONE	F3	103	47
PIN GEARSHIFT DRUM	C4	33	34	PLUG OIL PATH	B8	41	4
PIN GEARSHIFT FORK GUIDE	C4	33	27	PLUG SPARK	B4	9	59
PIN LOCK 5MM	D6	61	45	POINTS	B9	19	21
PIN LOCK 6MM	E8	89	91	POINTS ASSY	B9	19	18
PIN LOCK 8MM	F4	105	64	PIN OIL PUMP KNOCK	B12	25	2
PIN OIL PUMP KNOCK	C6	37	78	PROTECTOR IGNITION COIL WIRE	G2	125	56
PIN PISTON	B5	11	4	PUMP ASSY. OIL	B12	25	7
PIN RETURN SPRING	C5	35	58	PUSH ON FIX. J TYPE	B12	25	5
PIN SPRING SET "NG	C8	41	18				
PIN STEP BAR JOINT	E10	95	25				
PIN VALVE ROCKER ARM SHAFT COTTER	B6	13	17				
PINION KICK STARTER	C4	33	51				
PIPE COMP. BOTTOM	D7	63	13				
PIPE FR BRAKE	G7	135	20				
PIPE FR FORK	D7	63	10	RACE STEERING LOWER BALL	D7	63	7
PIPE MAIN STAND PIVOT	E10	95	20	RACE STEERING LOWER CONE	B8	65	26
PIPE THROTTLE GRIP	D1	51	15	RACE STEERING UPPER BALL	D7	63	6
PIPE TRANSMISSION OIL	C8	41	9	RACE STEERING UPPER CONE	D6	65	25
PISTON	B5	11	3	RATCHET KICK STARTER	C5	35	53
	G6	133	10	RECTIFIER ASSY	F12	121	18
	B6	133	10	RECTIFIER ASSY. SILICON	F12	121	17
PLATE A CYLINDER HEAD SIDE COVER				REFLECTOR FR REFLEX	D7	63	1
SETTING	B1	3	14	REGULATOR ASSY	F11	119	14
PLATE B CYLINDER HEAD SIDE COVER				RELAY ASSY. TURN SIGNAL	G1	123	41
SETTING	B1	3	15	RELAY COMP. TURN SIGNAL	G1	123	41
PLATE COMP. CLUTCH LIFTER	B8	17	11	RETAINER COMP. GEAR BOX	E1	75	33
PLATE SET STAY	C10	45	14	RETAINER FR WHEEL BEARING	E1	75	35
PLATE AIR CLEANER	E3	79	25	RETAINER GEAR BOX	E1	75	33
PLATE BEARING SETTING	C3	31	4	RETAINER RR WHEEL BEARING	D11	71	3
	C4	33	33	RETAINER WHEEL SPRING	B6	13	26
PLATE BRAKE INDICATOR	D12	73	23	RIM FR WHEEL	E1	75	36
PLATE CLUTCH	B8	17	9	RIM HEADLIGHT	D4	57	2
PLATE CLUTCH LIFTER	B8	17	11	RIM RR WHEEL	D11	71	15
PLATE CLUTCH PRESSURE	B8	17	10	RING SET PISTON	B11	11	2
PLATE CONTROL LEVER BUSH SETTING	G7	135	32	RING BEARING SETTING 52MM	C3	31	2
PLATE DIAPHRAGM	G7	135	29	RING BEARING SETTING 57MM	C3	31	1
PLATE DRIVE CHAIN CASE	F1	99	4	RING PISTON	D7	63	15
PLATE DRIVE SPROCKET FIXING	C3	31	22	RING RETAINING	D4	57	6
PLATE DRUM STOPPER CAM	C4	33	37	RING RR SWINGARM FELT	F1	99	14
PLATE ELECTRIC BASE	G1	123	48	RING SETTING	D4	57	10
PLATE FUEL VALVE LEVER SETTING	E3	79	12	ROD COMP C CONNECTING	B5	11	5
PLATE MAIN STAND SPRING	E10	95	19	ROD COMP D CONNECTING	B5	11	5
PLATE METER SET	D4	57	13	ROD COMP E CONNECTING	B5	11	5
PLATE WATER SETTING	D4	57	13	ROD COMP F CONNECTING	B5	11	5
PLATE POINT BASE	B9	19	19	ROD COMP G CONNECTING	B5	11	5

Description Index

Description	Grid	Page	Ref. No.	Description	Grid	Page	Ref. No.
ROD CLUTCH LIFTER	B9	19	17	SCREW OVAL 5X15	E2	77	54
ROD RR BRAKE	E9	91	14	SCREW OVAL 5X16	E2	77	54
ROLLER 10X21X5	C5	35	77	SCREW OVAL 5X20	D9	67	50
ROTOR COMP	B12	25	12	SCREW OVAL 6X10	B5	7	52
ROTOR NEUTRAL SWITCH	B12	25	23	SCREW OVAL 6X25	F6	109	43
RUBBER A RR FENDER	G2	125	60		F9	115	41
RUBBER A SEAT SETTING	E5	83	52	SCREW OVAL 6X32	B10	21	41
RUBBER A STAND STOPPER	E12	97	61	SCREW PAN 3X10	C10	45	23
RUBBER B FR FORK COVER	D7	63	22	SCREW PAN 3X6	E7	87	83
RUBBER B KICK STARTER	G4	129	103		F9	115	39
RUBBER BATTERY BOX	G1	123	49	SCREW PAN 3X8	D9	67	49
RUBBER BATTERY BOX	G2	125	61		F9	115	39
RUBBER CHAIN CASE SETTING	D7	63	3	SCREW PAN 4X12	C10	45	24
RUBBER DAMPER	C3	31	8	SCREW PAN 4X20	E7	87	84
RUBBER FR FORK UPPER COVER	D7	63	18	SCREW PAN 4X25	F9	115	35
RUBBER FUEL TANK FR	E5	83	46	SCREW PAN 4X55	F6	109	40
RUBBER FUEL TANK RR	E5	83	47		F9	115	40
RUBBER JOINT	F2	101	27	SCREW PAN 5X12	B10	21	37
RUBBER KICK STARTER	G4	129	103		C10	45	25
RUBBER METER SETTING	D5	59	21	SCREW PAN 5X16	C10	45	26
RUBBER PILLION FOOTPEG	E10	93	33		D6	61	34
RUBBER REGULATOR CUSHION	F9	115	25		E11	95	47
	F11	119	15	SCREW PAN 5X20	B5	7	47
RUBBER RR FENDER CUSHION	F6	109	31		G5	127	86
	F9	115	29	SCREW PAN 5X25	F5	55	37
RUBBER RR SWINGARM LOWER	F1	99	7	SCREW PAN 5X32	D5	55	37
RUBBER RR TURN SIGNAL MOUNT	F5	107	14	SCREW PAN 5X8	B6	7	46
RUBBER RR TURN SIGNAL SETTING	F8	113	12	SCREW PAN 5X8	F6	109	41
RUBBER SEALING	B3	7	41	SCREW PAN 6X12	C1	27	31
RUBBER SEAT LOCK BAR RUBBER	E5	83	58		C11	47	27
RUBBER SEAT SETTING	E5	83	54	SCREW PAN 6X16	B5	7	48
	E5	83	53		C1	27	32
RUBBER SHIFT PEDAL	G4	129	102	SCREW PAN 6X20	B5	7	49
RUBBER SPEEDOMETER	D4	57	15		C1	27	33
RUBBER STAND	E10	93	23	SCREW PAN 6X25	B5	7	50
RUBBER STEP	E10	93	32	SCREW PAN 6X28	C1	27	34
	E12	97	60	SCREW PAN 6X32	B10	21	38
RUBBER STOPPER	F2	101	28		C1	27	35
RUBBER STOPPER ARM CUSHION	F1	99	9		E7	87	85
RUBBER TURN SIGNAL CUSHION	F5	107	7	SCREW PAN 6X35	C1	27	36
				SCREW PAN 6X40	B3	7	51
				SCREW PAN 6X51	C1	27	37
(S)				SCREW PAN 6X65	C1	27	38
				SCREW PAN 6X75	B10	21	39
SAFETY UNIT STARTING	F12	121	20	SCREW PAN 6X80	B10	21	40
SCREEN FUEL STRAINER	E3	79	9	SCREW RIVET 15X5	G2	125	73
SCREEN OIL STRAINER	D4	41	7	SCREW SIDE STAND PIVOT	C8	10	93
SCREW SET A	C10	45	7	SCREW TAPPET ADJ	B6	13	30
SCREW SET B	C10	45	10	SCREW TAPPING 5X16	C8	41	25
SCREW BEAM ADJ	D4	57	3	SCREW TAPPING 5X8	E7	87	87
SCREW FLAT 6X16	C11	47	28	SCREW TAPPING 6X12	C8	41	26
	E7	87	86	SCREW UNIT HOLDER	D4	57	7
SCREW FLAT 6X18	C6	37	89	SCREW 3X12	D6	61	33
SCREW OVAL 3X25	F6	109	42	SCREW 6X25	F6	109	43

Description Index

Description	Grid	Page	Ref. No.	Description	Grid	Page	Ref. No.
SCREW 6X25	F9	115	41	SPRING CLUTCH	B8	17	12
SEAL ELEMENT COVER	E3	79	28	SPRING CLUTCH LEVER	B8	17	14
SEAL PISTON	G6	133	11	SPRING FR FORK	D7	63	9
SEAL VALVE STEM	B5	11	1	SPRING FR FORK REBOUND	D7	63	11
SEAT ASSY	E5	83	50	SPRING GEARSHIFT ARM	C4	33	41
SEAT OIL FILTER SPRING	F8	41	13	SPRING GEARSHIFT RETURN	C4	33	42
SEAT RR SHOCK SPRING	F2	101	25	SPRING HANDLEBAR LOCK	D8	65	31
SEAT RR SHOCK SPRING LOWER	F2	101	24	SPRING HEADLIGHT BEAM ADJ	D4	57	4
SEAT VALVE SPRING INNER	B6	13	28	SPRING KICK STARTER	C5	35	57
SEAT VALVE SPRING OUTER	B6	13	27	SPRING KICK STARTER RATCHET	C5	35	54
SET RING 520	C3	31	2	SPRING KICK STARTER STOPPER	F11	119	6
SHAFT COMP. PRIMARY	C3	31	3	SPRING L STEP RETURN	E10	93	31
SHAFT COMP. RR BRAKE PIVOT	E10	93	17	SPRING LAMP SOCKET SETTING	D1	51	10
SHAFT GEARSHIFT FORK	C1	35	28	SPRING OIL FILTER ELEMENT SETTING	C8	41	14
SHAFT STARTER REDUCTION GEAR	C4	33	45	SPRING R FOOTPEG RETURN	E10	93	28
SHAFT VALVE ROCKER ARM	B6	13	16	SPRING RELIEF VALVE	B12	25	9
	B6	13	15	SPRING RR BRAKE SHOE	D12	73	24
SHOCK ABSORBER ASSY. RR	F1	99	17	SPRING RR SHOCK	F1	99	18
SHOE COMP. RR BRAKE	D12	73	21	SPRING SHIFT DRUM STOPPER	C4	33	38
SUPPLER TENSIONER	B6	13	20	SPRING STARTER CLUTCH ROLLER	C4	33	49
SOCKET COMP. HEADLIGHT	D4	57	9	SPRING STARTER PINION SETTING	C4	33	52
SOCKET COMP. L. FR TURN SIGNAL	F5	107	10	SPRING STOP SWITCH	G1	123	37
	F8	113	8	SPRING THROTTLE ADJUSTING	D2	53	22
SOCKET COMP. L. RR TURN SIGNAL	F5	107	18	SPRING VALVE INNER	B6	13	25
	F8	113	16	SPRING VALVE LEVER	E3	79	11
SOCKET COMP. R. FR TURN SIGNAL	F5	113	4	SPRING VALVE OUTER	B6	13	24
SOCKET COMP. R. RR TURN SIGNAL	F5	107	16	SPROCKET CAM	B6	13	12
	F8	113	11	SPROCKET DRIVE	C3	31	21
SOCKET PILOT LAMP	D1	51	9	SPROCKET FINAL DRIVEN	D11	71	1
SOCKET R. FR TURN SIGNAL	F5	107	4	SPROCKET PRIMARY DRIVEN	C3	31	7
SOCKET TURN SIGNAL	F5	107	6	STAND COMP. MAIN	E10	93	18
SPACER FORK TOP BRIDGE	D2	53	25	STATOR COMP	B12	25	13
SPACER 0.1MM	B9	19	30	STATOR NEUTRAL SWITCH	B12	25	22
SPACER 0.3MM	B9	19	30	STAY A. FR FENDER	D8	65	34
SPACER 0.5MM	B9	19	30	STAY B. FR FENDER	D8	65	35
SPACER 25MM	C4	33	47	STAY AIR CLEANER	E3	79	22
SPEEDOMETER ASSY	D1	57	14	STAY AIR CLEANER RR	E3	79	24
SPINDLE COMP. GEARSHIFT	C4	33	40	STAY DIODE	F12	121	19
SPINDLE KICK STARTER	C5	35	55	STAY R. RR TURN SIGNAL	F5	107	15
SPOKE A. FR	E1	75	30		F8	113	14
SPOKE A. RR	D11	71	9	STEER COMP. STEERING	D7	63	24
SPOKE B. FR	E1	75	31	STOPPER COMP. SHIFT DRUM	C4	33	35
SPOKE B. RR	D11	71	11	STOPPER COMP. SHIFT DRUM NEUTRAL	C4	33	39
SPOKE BS. 8X2025	E1	75	31	STOPPER CHAIN ADJUSTER	F1	99	13
	E1	75	30	STOPPER L. FR TURN SIGNAL	F5	107	13
SPRING A. BRAKE ROD	E12	97	64		F8	113	14
SPRING B. SIDE STAND	E12	97	63	STOPPER R. RR TURN SIGNAL	F8	113	12
SPRING G. MAIN STAND	E12	97	62		F8	113	10
SPRING AIR CLEANER ELEMENT	E3	79	16	STOPPER SPRING SEAT	F1	99	23
SPRING BRAKE PEDAL	E9	21	16	STRAINER SET	E3	79	6
SPRING BRAKE ROD	E12	97	64	STRAINER OIL	C8	41	8
SPRING CALIPER ADJ	G7	135	15	SUB WIRE. FR STOP SWITCH	G6	133	2
SPRING CARBON BRUSH	B12	25	17	SUSPENSION MAGNETIC SWITCH	G1	123	39
SPRING CHECK VALVE	F8	41	17	SUSPENSION TURN SIGNAL RELAY	G1	123	42

Description Index

Description	Grid	Page	Ref. No.	Description	Grid	Page	Ref. No.
SWINGARM ASSY. RR	F1	99	10	TURN SIGNAL ASSY. R FR	F5	107	1
SWINGARM COMP. RR	F1	99	10		F5	107	11
SWITCH ASSY. CLUTCH LEVER	D1	51	7		F8	113	7
SWITCH ASSY. COMBINATION	F12	121	35		F8	113	1
SWITCH ASSY. LIGHTING KILL	D1	51	6	TURN SIGNAL ASSY. R RR	F5	107	17
SWITCH ASSY. OIL PRESSURE	B12	25	21		F5	107	11
SWITCH ASSY. RR STOP	G1	123	36	TURN SIGNAL R RR	F5	107	11
SWITCH ASSY. STARTER KILL	D1	51	6		F8	113	9
SWITCH ASSY. STARTER MAGNETIC	G1	123	36				
SWITCH ASSY. STOP	G1	123	36				
SWITCH ASSY. TURN SIGNAL	D1	51	5	(V)			
SWITCH ASSY. TURN SIGNAL HORN	D1	51	5				
SWITCH KIT MAIN	F12	121	34	VALVE ASSY. FUEL	E3	79	2
SWITCH SET COMBINATION	F12	121	34		E3	79	3
SWITCH STOP	G6	133	3	VALVE SET FLOAT	C10	45	2
				VALVE BLEEDER	G7	135	23
(T)				VALVE CHECK	C8	41	16
				VALVE EX	B6	13	23
TACHOMETER ASSY	D4	57	19	VALVE IN	B6	13	22
TAILLIGHT UNIT	F5	107	19	VALVE OIL CONTROL	B1	3	6
	F8	113	17	VALVE RELIEF	B12	25	8
TANK ASSY FUEL	E4	81	33	VALVE THROTTLE	C10	45	21
TENSIONER CAM CHAIN	B6	13	18				
THREAD COMP. STEERING HEAD UPPER	D8	65	29	(W)			
TIRE FR	E1	75	37				
TIRE RR	D11	71	16	WASHER A HANDLE HOLDER SETTING	F2	101	44
TIRE RR WHEEL	D11	71	16	WASHER A THRUST 25MM	C5	35	61
TOOL SET	G2	125	64	WASHER A 65MM	B6	13	34
TOP SET	C10	45	5	WASHER AB TONGUED	G8	137	39
TRAY TOOL	E5	83	64	WASHER B THRUST 25MM	C5	35	67
TUBE ASSY BREATHER	E3	79	26	WASHER B THRUST 25MM	D12	73	20
TUBE ASSY DRAIN	E3	79	31	WASHER BATTERY BREATHER TUBE GUIDE	E10	93	41
TUBE ASSY COVER FLOW	C10	45	22	WASHER BRAKE ANCHOR PIN	D12	73	20
TUBE SET BREATHER	B2	5	22	WASHER DRAIN PLUG 12MM	C8	41	27
	B2	5	21	WASHER ELEMENT SETTING	E3	79	23
TUBE SET PROTECT	C10	45	15	WASHER FOOTPEG	E12	97	72
TUBE BREATHER	B2	5	21	WASHER HE/ DUGHT CASE	D6	61	29
TUBE FUEL 5.3X280	E8	89	93	WASHER LOCK 25MM	C5	35	68
TUBE MUFFLER CONNECTING	E9	91	12	WASHER OIL BOLT	G8	137	40
TUBE TIRE	D11	71	17	WASHER PELLION STEP	E10	93	34
	E1	75	38	WASHER PLAIN 10MM	D6	61	40
TUBE 12X420	B2	5	21		D10	69	56
TUBE 3.5X130	C11	47	32		E11	95	54
TUBE 5.3X170	E8	89	92		E11	95	56
TUBE 5.3X180	E8	89	92		F4	105	62
TUBE 5.3X260	E8	89	93	WASHER PLAIN 12MM	G4	129	95
TUBE 5.3X280	E8	89	93	WASHER PLAIN 3MM	D9	67	53
TUBE 5.3X300	E8	89	93	WASHER PLAIN 5MM	B10	21	43
TURN SIGNAL ASSY L FR	F5	107	17		G3	127	92
	F5	107	9	WASHER PLAIN 6MM	B4	9	54
	F8	113	7		B10	21	44
TURN SIGNAL ASSY L RR	F5	107	11		C1	27	39
	F8	113	15		C2	29	40

Description Index

Description	Grid	Page	Ref. No.	Description	Grid	Page	Ref. No.
WASHER PLAIN 6MM	D6	61	38	WASHER THRUST 11MM	B2	5	29
	D9	67	54	WASHER THRUST 14MM	B2	5	34
	E7	87	89		C12	49	3
	E7	87	77	WASHER THRUST 20MM	C5	35	66
	E11	95	52		C5	35	60
	F3	103	58	WASHER THRUST 22MM	C5	35	64
	F7	111	46	WASHER THRUST 25MM	B9	19	29
	F10	117	44		C5	35	69
	G3	127	93	WASHER THRUST 5MM	B2	5	31
	G9	139	49	WASHER THRUST 6.5MM	B2	5	33
WASHER PLAIN 8MM	D2	53	32	WASHER THRUST 7MM	B2	5	30
	D6	61	39	WASHER TONGUED 10MM	E2	77	47
	D9	67	55	WASHER TONGUED 6MM	C1	27	25
	E11	95	53	WASHER TONGUED 9MM	G8	137	39
	F4	105	60	WASHER 10MM	B9	19	31
	F4	105	59	WASHER 15MM	C5	35	63
	F7	111	47	WASHER 18.5X34	E2	77	46
	F10	117	45	WASHER 18MM	C5	35	62
	G4	129	96		E7	87	78
	G4	129	94		F3	103	46
	G9	139	50		G2	125	71
WASHER RR SWINGARM PIVOT BOLT	F2	101	45	WASHER 20MM	F6	109	37
WASHER SEALING 6MM	B6	13	33		F9	115	36
WASHER SPECIAL	B9	19	25	WASHER 25X33	G2	125	69
WASHER SPECIAL 8MM	D8	65	41	WASHER 6.5X18	D6	61	31
WASHER SPRING 12MM	F10	117	46	WASHER 6X17	B2	5	32
	G4	129	101	WASHER 6X20	E6	85	76
WASHER SPRING 3MM	C11	47	30		F2	101	42
WASHER SPRING 5MM	C11	47	31	WASHER 6X9	F2	101	43
	D3	55	40	WASHER 7X12	J2	53	31
	D6	61	41	WASHER 8MM	G2	125	72
	D10	69	57	WRENCH EYE 26MM	G5	131	122
	G4	129	97	WRENCH SPARK PLUG	G2	125	66
WASHER SPRING 6MM	C2	29	41				
	C5	35	59				
	D6	61	42				
	E8	89	90				
	E11	95	55				
	G4	129	98				
	G9	139	52				
WASHER SPRING 8MM	D6	61	43				
	D6	61	44				
	D10	69	58				
	E11	95	57				
	E11	95	56				
	F4	105	62				
	F7	111	48				
	G4	129	99				
	G4	129	100				
	G9	139	53				
WASHER STEERING HEAD DUST SEAL	D8	65	27				
WASHER STEERING STEM	D8	65	39				
WASHER TANK COLLAR LOCKING	E7	87	77				
WASHER THRUST	C5	35	65				