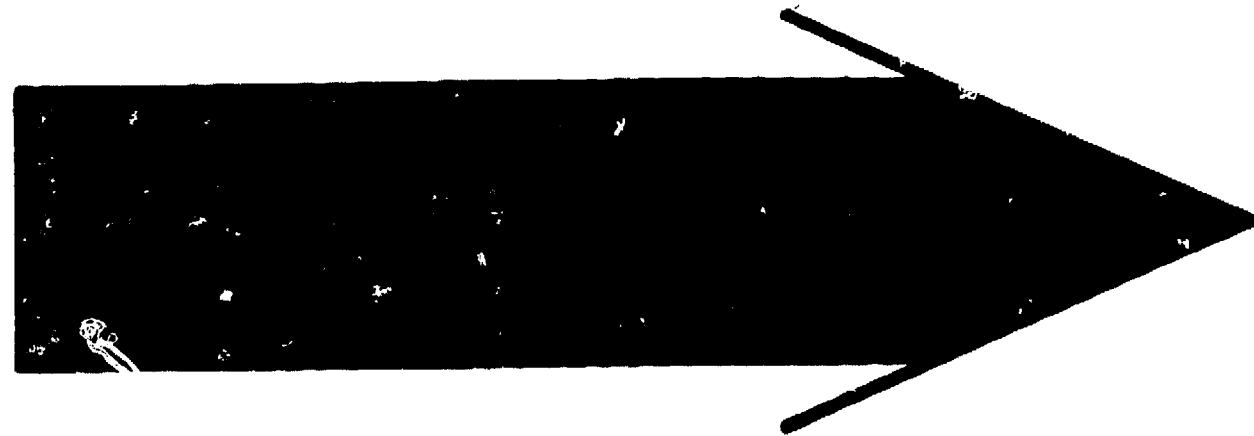


B 1

CB750

CB750K1

CB750K2





Courtesy of www.hondafour.com www.honda4fun.com

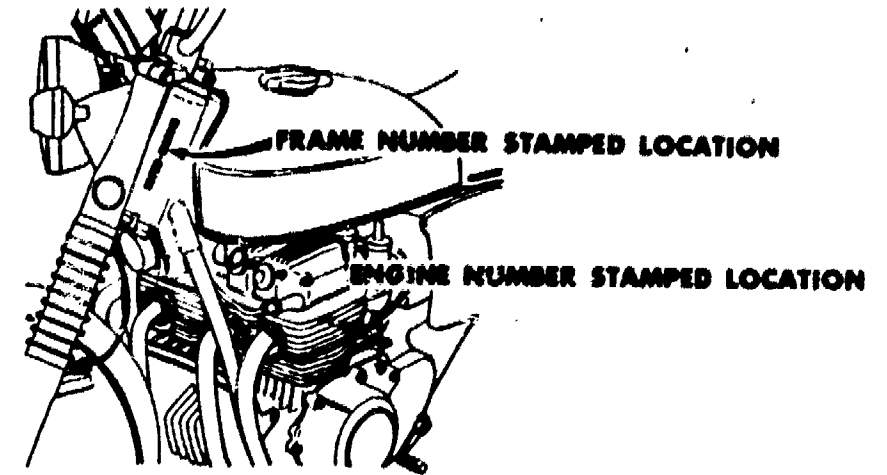


5. Applicable serial number

If there is a production change to a part, the engine or frame serial number to which this part become effective will be indicated in the "Serial No." column. However, in case the part is used from the initial serial number its applicable serial number is not shown. The initial serial number for models are as follows.

Model, Area code	Type	Description	Serial No.	
CB750	A	U. S. A. Type	Engine No. CB750E-1000001~ * Frame No. CB750 -1000001~ *	
	E	England Type	Engine No. CB750E-1000001~ * Frame No. CB750 -1010369~ *	
	F	France Type	Engine No. CB750E-1000001~ * Frame No. CB750 -1003480~ *	
	G	German Type	Engine No. CB750E-1000001~ * Frame No. CB750 -1005084~ *	
	H	Netherlands Type	Engine No. CB750E-1000001~ * Frame No. CB750 -1031084~ *	
	U	Australia Type	Engine No. CB750E-1000001~ * Frame No. CB750 -1005130~ *	
CB750K1	A	U. S. A. Type	Engine No. CB750E-1044806~ * Frame No. CB750 -1044650~ *	
	D	General export Type	Engine No. CB750E-1044806~ * Frame No. CB750 -1066902~ *	
	E	England Type	Engine No. CB750E-1044806~ * Frame No. CB750 -1066912~ *	
	F	France Type	Engine No. CB750E-1044806~ * Frame No. CB750 -1053449~ *	
	G	German Type	Engine No. CB750E-1044806~ * Frame No. CB750 -1053409~ *	
	H	Netherlands Type	Engine No. CB750E-1044806~ * Frame No. CB750 -1053399~ *	
	U	Australia Type	Engine No. CB750E-1044806~ * Frame No. CB750 -1054244~ *	
	ED	European direct sales Type	Engine No. CB750E-1044806~ * Frame No. CB750 -1085582~ *	
	CB750K2	A	U. S. A. Type	Engine No. CB750E-2000001~ * Frame No. CB750 -2000001~ *
		D	General export Type	Engine No. CB750E-2000001~ * Frame No. CB750 -2000001~ *
E		England Type	Engine No. CB750E-2000001~ * Frame No. CB750 -2004779~ *	
F		France Type	Engine No. CB750E-2000001~ * Frame No. CB750 -2005256~ *	
G		German Type	Engine No. CB750E-2000001~ * Frame No. CB750 -2005737~ *	
ED		European direct sales Type	Engine No. CB750E-2000001~ * Frame No. CB750 -2006212~ *	

The serial number are stamped on the following locations.



6. Color code

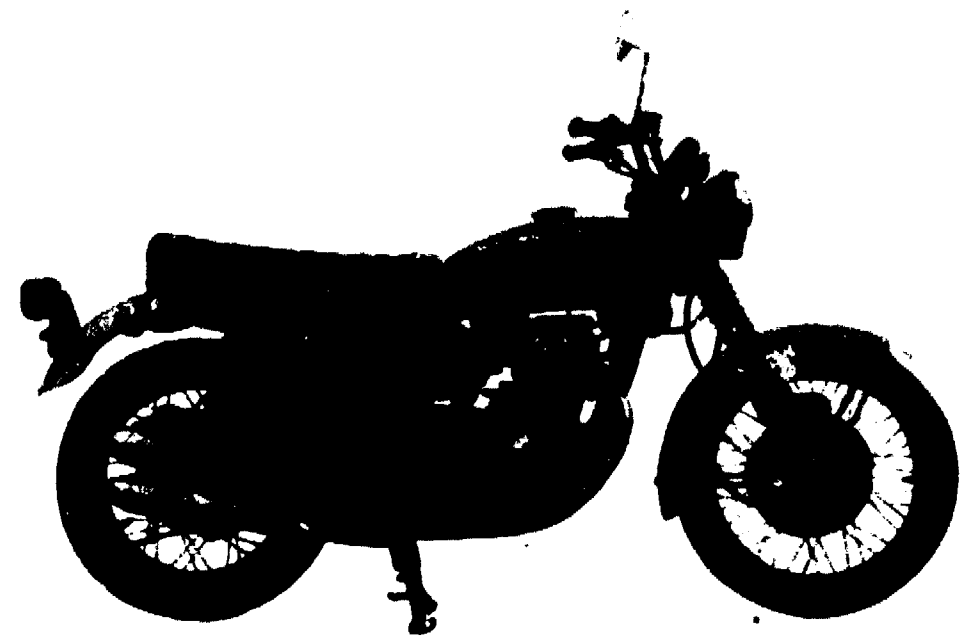
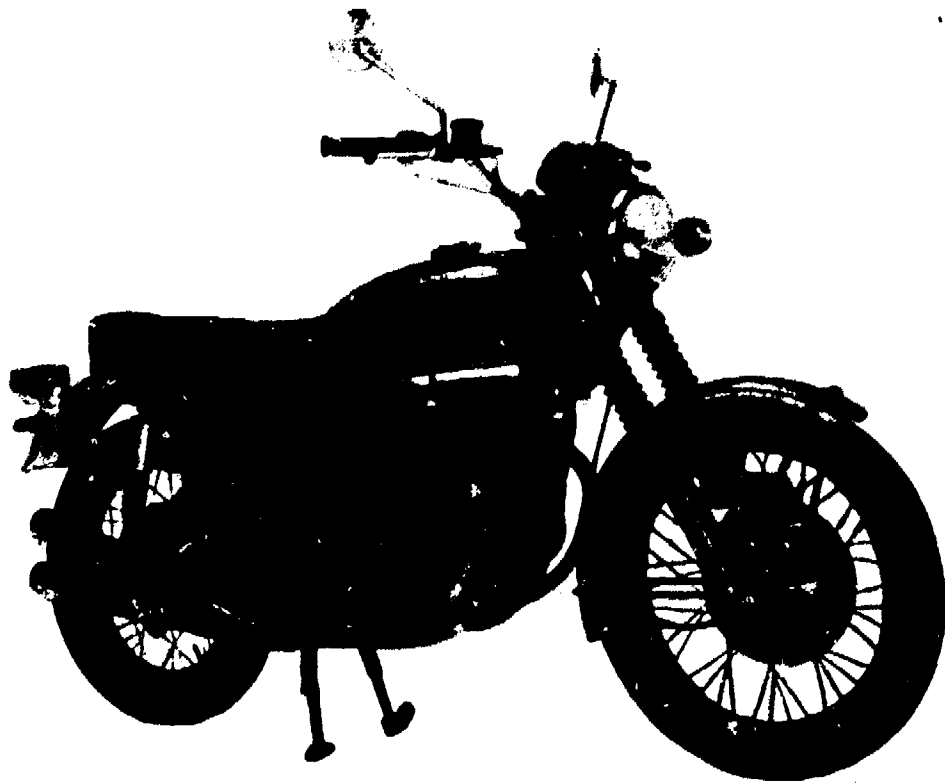
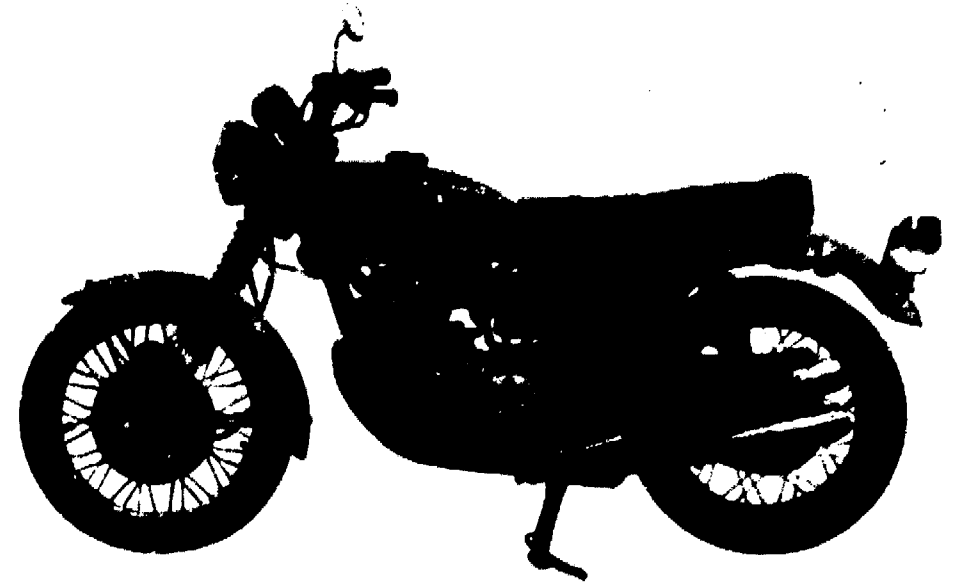
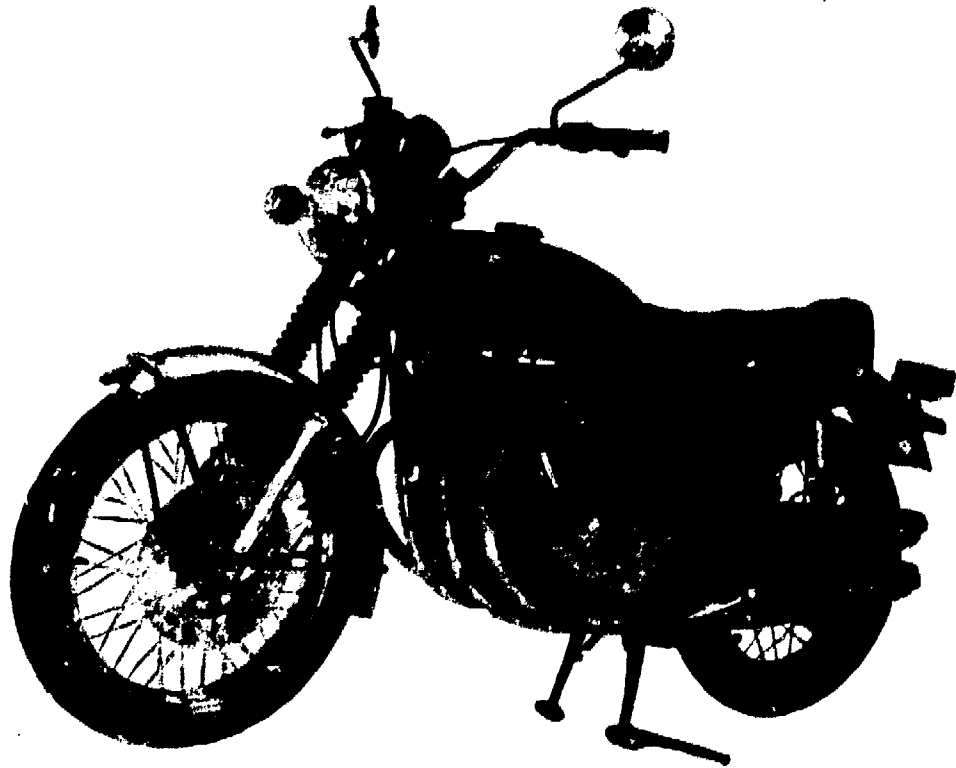
The following table indicates the color descriptions of the color codes which are listed in the text.

Color code	Color description	Color code	Color description
A	White	EG	Polynesian blue metallic
B	Black	LU	Brier brown metallic custom
AZ	Candy blue green	LV	Flake sunrise orange
CM	Candy ruby red	LX	Candy gold custom
CQ	Candy gold	MV	Planet blue metallic custom
DM	Sunny gold metallic	XW	Chrome
EE	Candy garnet brown	Z	Non sanding
EF	Valley green metallic	A	Black (leather)

7. The part number described under the part description supersedes the part number ahead.

8. This parts list is compiled as of September 10, 1977 and published as the final edition.

Courtesy of  www.hondafour.com www.honda4fun.com

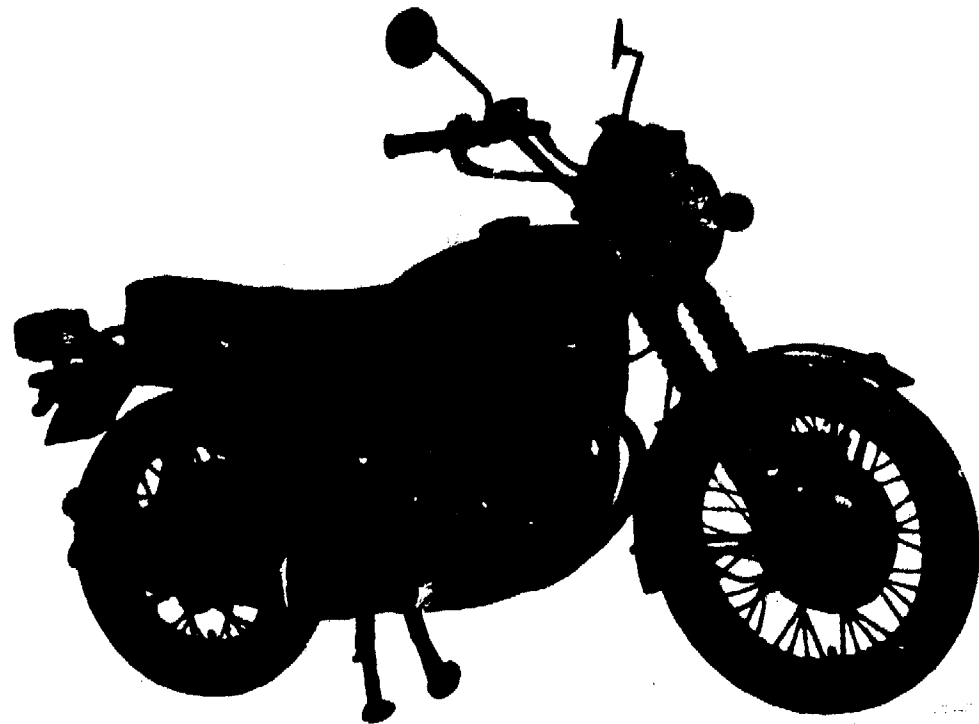
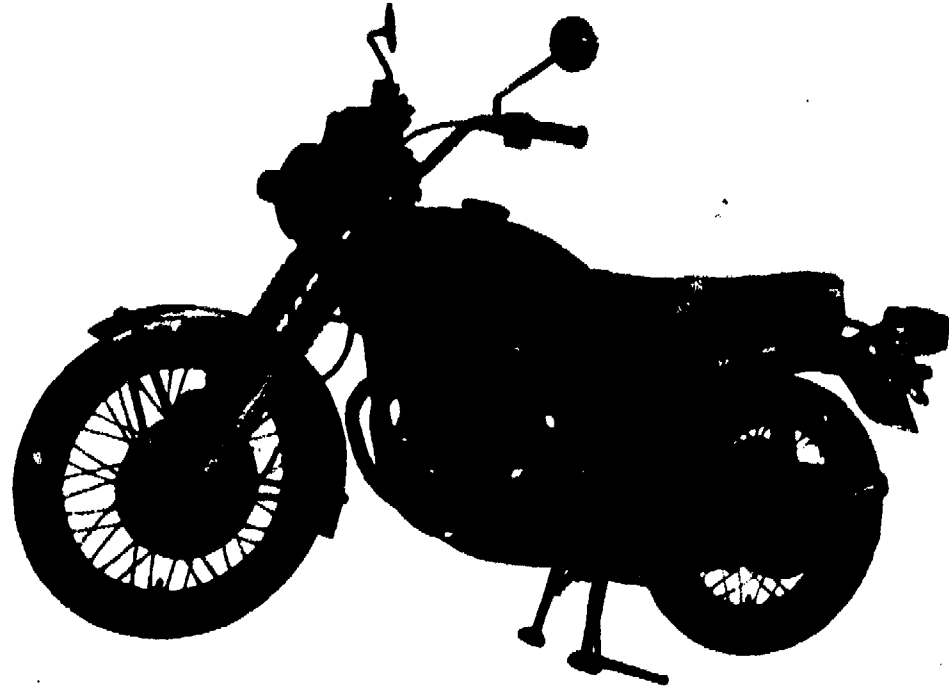


CB750

CB750K1

B 5

Courtesy of  Honda4Fun
www.hondafour.com www.honda4fun.com



CB 750K2



CROSS - REFERENCE TABLE

PART NO. INDEX



BLOCK NO.	ADDRESS NO.	BLOCK NO.	ADDRESS NO.	BLOCK NO.	ADDRESS NO.
E - 1	C 2	F - 1	D16	F - 35	G12
E - 2	C 3	F - 2	E 1	F - 36	G13
E - 3	C 4	F - 3	E 2	F - 37	G14
E - 4	C 5, C 6	F - 4	E 3	F - 38	G15, G16
E - 5	C 7, C 8	F - 5	E 4	F - 39	H 1
E - 6	C 9	F - 6	E 5, E 6	F - 40	H 2
E - 7	C10	F - 7	E 7	F - 41	H 3
E - 8	C11	F - 8	E 8, E 9	F - 42	H 4
E - 9	C12	F - 9	E10	F - 43	H 5
E - 10	C13	F - 10	E11		
E - 11	C14	F - 11	E12		
E - 12	C15	F - 12	E13		
E - 13	C16	F - 13	E14, E15		
E - 14	D 1	F - 14	E16		
E - 15	D 2	F - 15	F 1		
E - 16	D 3	F - 16	F 2, F 3		
E - 17	D 4	F - 17	F 4, F 5		
E - 18	D 5	F - 18	F 6, F 7		
E - 19	D 6	F - 19	F 8		
E - 20	D 7	F - 20	F 9, F10		
E - 21	D 8	F - 21	F11		
E - 22	D 9	F - 22	F12		
E - 23	D10	F - 23	F13, F14		
E - 24	D11	F - 24	F15		
E - 25	D12, D13	F - 25	F16		
E - 26	D14, D15	F - 26	G 1		
		F - 27	G 2		
		F - 28	G 3		
		F - 29	G 4		
		F - 30	G 5, G 6		
		F - 31	G 7		
		F - 32	G 8		
		F - 33	G 9, G10		
		F - 34	G11		

Part No.	Block	Part No.	Block	Part No.	Block
11000					
11010-300-070	E-22	12200-300-060	E-4	13202-300-000	E-17
11010-300-080	E-22	12200-300-070	E-4	13203-300-000	E-17
11010-300-090	E-22	12200-300-090	E-4	13204-300-000	E-17
11010-300-110	E-22	12200-300-100	E-4	13205-300-000	E-17
11010-300-395	E-22	12200-300-395	E-4	13206-300-000	E-17
11010-300-405	E-22	12200-300-405	E-4	13207-300-000	E-17
11010-300-415	E-22	12209-300-000	E-2	13208-300-000	E-17
11204-300-000	E-22	12209-300-003	E-2	13209-300-000	E-17
11204-300-010	E-22	12211-250-310	E-4	13210-300-000	E-17
11210-300-040	E-14	12238-300-010	E-4	13213-300-020	E-17
11210-300-050	E-14	12238-300-300	E-4	13213-333-003	E-17
11342-300-040	E-8	12251-300-020	E-4	13214-300-000	E-17
11342-300-050	E-8	12251-300-030	E-4	13215-300-013	E-17
11348-300-010	E-8	12251-300-040	E-4	13216-300-013	E-17
11351-300-020	E-12	12251-300-050	E-4	13217-300-013	E-17
11351-300-040	E-12	12251-300-070	E-4	13218-300-013	E-17
11351-300-050	E-12	12251-300-354	E-4	13315-300-013	E-17
11351-300-060	E-12	12310-300-030	E-1	13316-300-013	E-17
11353-300-010	E-12	12310-300-040	E-1	13317-300-013	E-17
11353-300-030	E-12	12310-300-050	E-1	13318-300-013	E-17
11354-300-000	E-12	12310-300-060	E-1	13491-259-000	E-21
11354-300-010	E-12	12321-300-010	E-1	13491-300-000	E-21
11355-300-000	E-22	12321-300-020	E-1	13495-300-000	E-18
11360-300-030	E-12	12321-300-030	E-1		
11360-300-040	E-12	12329-300-020	E-1	13496-300-000	E-16
11360-300-050	E-12	12361-300-000	E-1	13620-300-010	E-16
11395-300-020	E-12	12391-300-030	E-1		
11395-300-030	E-12	12391-300-040	E-1		
11395-300-040	E-12	12431-300-010	E-1		
11395-300-303	E-12	12435-300-003	E-1		
11396-300-040	E-8				
11396-300-050	E-8				
11396-300-303	E-8				
11397-300-030	E-10				
11397-300-303	E-10				
11398-300-030	E-14				
11398-300-040	E-14				
11398-300-303	E-14				
11631-300-040	E-10				
12000					
12010-300-020	E-3				
12010-300-030	E-3				
12010-300-040	E-3				
12025-300-300	E-4				
12027-300-300	E-4				
12027-300-310	E-4				
12027-300-320	E-4				
12027-300-330	E-4				
12100-300-020	E-5				
12100-300-030	E-5				
12100-300-040	E-5				
12100-300-050	E-5				
12115-300-000	E-5				
12116-300-000	E-5				
12191-300-020	E-5				
12191-300-030	E-5				
12195-300-000	E-4				
	E-5				
12200-300-040	E-4				
13000					
13000-300-040	E-17				
13000-300-050	E-17				
13011-300-013	E-5				
13011-300-014	E-5				
13011-300-024	E-5				
13021-300-013	E-5				
13021-300-014	E-5				
13021-300-024	E-5				
13031-300-013	E-5				
13031-300-014	E-5				
13031-300-024	E-5				
13041-300-013	E-5				
13041-300-014	E-5				
13041-300-024	E-5				
13051-300-013	E-5				
13051-300-014	E-5				
13051-300-024	E-5				
13101-300-020	E-5				
13101-300-030	E-5				
13102-300-020	E-5				
13102-300-030	E-5				
13103-300-020	E-5				
13103-300-030	E-5				
13104-300-020	E-5				
13104-300-030	E-5				
13105-300-020	E-5				
13105-300-030	E-5				
13111-300-000	E-5				
13115-250-010	E-5				
13201-300-000	E-17				
14000					
		14101-300-020	E-3		
		14321-300-010	E-6		
		14401-286-003	E-6		
		14431-300-030	E-2		
		14432-300-030	E-2		
		14461-300-000	E-2		
		14461-300-010	E-2		
		14461-300-020	E-2		
		14462-300-000	E-2		
		14462-300-010	E-2		
		14500-300-000	E-6		
		14530-300-010	E-6		
		14541-300-000	E-6		
		14550-300-020	E-6		
		14550-300-030	E-6		
		14592-300-000	E-6		
		14601-312-000	E-6		
		14605-286-020	E-6		
		14606-286-000	E-6		
		14607-300-000	E-6		
		14611-300-000	E-6		
		14611-312-000	E-6		
		14612-286-000	E-6		
		14711-300-005	E-2		
		14721-300-005	E-2		
		14751-300-000	E-2		
		14751-300-003	E-2		
		14761-300-000	E-2		
		14761-300-003	E-2		
		14771-551-020	E-2		
		14775-300-000	E-2		
		14781-551-000	E-2		



PART NO. INDEX



PART NO. INDEX

Part No.	Block	Part No.	Block	Part No.	Block	Part No.	Block	Part No.	Block	Part No.	Block
15000		16025-300-004	E-25	16290-300-010	E-26	17500-300-040EG	F-13	18400-300-620	F-18	23520-300-000	E-21
15010-300-000	E-15	16026-300-004	E-25	16950-300-020	F-13	17500-341-670CM	F-13	18400-341-000	F-18	23520-300-010	E-21
15100-300-000	E-15		E-26	16952-268-000	F-13	17500-341-670LU	F-13	18450-300-030	F-18	23520-300-020	E-21
15105-300-010	E-15	16027-300-004	E-25	16953-268-020	F-13	17500-341-670LV	F-13	18450-300-040	F-18	23520-300-030	E-21
15135-300-010	E-15	16028-300-004	E-26	16955-268-020	F-13	17500-341-670LX	F-13	18450-300-345	F-18	23520-300-305	E-21
15140-300-010	E-15	16032-300-004	F-26	16957-268-010	F-13	17500-341-670MV	F-13	18450-300-620	F-18	23523-300-300	E-21
15145-300-000	E-15	16035-300-004	E-26	16958-268-010	F-13	17510-300-163	F-13	18450-341-000	F-18	23523-300-310	E-21
15147-300-000	E-15	16036-300-004	E-26	16960-268-010	F-13	17510-323-310	F-13	18472-300-000	F-18	23524-300-300	E-21
15150-300-000	E-15	16100-300-014	E-25	16961-268-010	F-13	17513-300-300	F-13	18473-300-000	F-18	23524-300-310	E-21
15155-300-000	E-15	16100-300-024	E-26	16997-273-006	F-13	17514-323-300	F-13			23525-300-000	E-21
15161-300-000	E-15	16100-300-034	E-26			17515-300-300	F-13	22000		23526-300-300	E-21
15166-300-000	E-15	16100-300-303	E-25	17000		17516-300-300	F-13			23801-300-000	E-21
15171-300-010	E-15	16100-300-304	E-25	17211-300-020	F-16	17517-300-330	F-13	22041-300-000	E-9	23801-300-010	E-21
15176-300-000	E-15	16100-300-313	E-25	17211-300-620	F-16	17517-300-340	F-13	22100-300-010	E-9	23801-300-010	E-21
15326-300-000	E-22	16100-300-610	E-25	17211-341-000	F-16	17520-300-300	F-13	22100-300-020	E-9	23801-300-305	E-21
15331-300-000	E-22	16100-300-620	E-26	17212-300-000B	F-16	17521-300-000	F-13	22120-300-010	E-9	23801-300-315	E-21
15336-300-010	E-22	16101-300-014	E-25	17212-300-000B	F-16	17521-300-010	F-13	22120-300-020	E-9	23801-300-620	E-21
15337-300-000	E-22	16101-300-024	E-26	17212-341-000	F-16	17522-300-000	F-13	22120-300-040	E-9	23811-292-000	E-21
15337-300-010	E-22	16101-300-034	E-26	17213-300-000B	F-16	17522-300-010	F-13	22151-300-000	E-9		
15411-300-000	E-14	16101-300-044	E-26	17214-300-040AZ	F-16	17523-300-000	F-13	22201-283-000	E-9	24000	
15411-300-010	E-14	16101-300-303	E-25	17214-300-040CM	F-16	17524-300-000	F-13	22201-300-000	E-9	24211-300-020	E-19
15412-300-024	E-14	16101-300-304	E-25	17214-300-040CQ	F-16	17525-300-000	F-13	22311-292-000	E-9	24212-300-020	E-19
15412-300-325	E-14	16101-300-313	E-25	17214-300-040CQ	F-16	17526-300-000	F-13	22321-283-000	E-9	24213-300-020	E-19
15414-300-000	E-14	16101-300-610	E-25	17215-300-010	F-16	17534-323-300	F-13	22350-300-010	E-9	24261-300-030	E-19
15415-300-000	E-14	16101-300-620	E-26	17215-300-020	F-16	17611-283-010	F-13	22350-300-030	E-9	24301-300-030	E-19
15420-300-010	E-14	16102-300-014	E-25	17215-300-030	F-16	17613-292-000	F-13	22360-300-010	E-9	24301-300-040	E-19
15420-300-020	E-14	16102-300-024	E-26	17216-300-010	F-16	17631-253-000	F-17	22401-268-000	E-9	24321-300-000	E-19
15473-300-300	E-14	16102-300-034	E-26	17216-300-020	F-16	17910-300-010	F-1	22401-300-000	E-9	24326-300-000	E-19
15474-300-310	E-14	16102-300-044	E-26	17216-300-030	F-16	17910-300-030	F-1	22402-300-303	E-9	24430-300-020	E-13
15477-300-300	E-14	16102-300-044	E-26	17217-300-330	F-16	17910-300-040	F-1	22431-300-000	E-9	24430-300-030	E-13
15510-300-007	E-22	16102-300-304	E-25	17218-300-330	F-16	17910-300-610	F-1	22810-300-000	E-8	24430-300-040	E-13
15510-300-017	E-22	16102-300-313	E-25	17219-300-000	F-16	17910-341-000	F-1	22815-300-000	E-8	24434-300-000	E-13
15520-300-007	E-22	16102-300-610	E-25	17219-300-010	F-16	17910-341-611	F-1	22820-300-000	E-8	24435-300-030	E-13
15621-300-000	E-22	16102-300-620	E-26	17220-300-000	F-16	17920-300-000	F-1	22830-300-000	E-8	24436-300-000	E-13
15761-300-010	E-22	16103-300-014	E-25	17220-300-010	F-16	17920-300-610	F-1	22841-300-000	E-8	24436-300-010	E-13
15761-300-020	E-22	16103-300-024	E-26	17221-300-000	F-16	17920-341-000	F-1	22846-300-000	E-9	24437-300-000	E-13
15763-300-000	E-1	16103-300-034	E-26	17221-341-000	F-16	17920-341-611	F-1	22860-300-006	E-8	24438-300-000	E-19
15763-300-303	E-1	16103-300-044	E-26	17231-300-020AZ	F-16	17993-250-000	F-13	22870-300-000	F-2	24440-300-010	E-13
15772-292-010	E-1	16103-300-044	E-26	17231-300-020CM	F-16			22870-300-610	F-2	24440-300-020	E-13
		16103-300-303	E-25	17231-300-020CQ	F-16	18000		22870-341-000	F-2	24441-300-010	E-19
		16103-300-304	E-25	17231-300-030B	F-16			22870-341-610	F-2	24441-300-020	E-19
16000		16103-300-313	E-25	17231-300-030B	F-16	18231-300-000	F-18			24443-300-000	F-19
16010-300-004	E-25	16103-300-610	E-25	17231-300-620AZ	F-16	18231-300-010	F-18	23000		24444-300-000	E-19
16010-300-014	E-26	16103-300-620	E-26	17231-300-620CM	F-16	18232-300-000	F-18			24445-300-010	E-13
16011-302-004	E-25	16104-300-014	E-25	17231-300-620CQ	F-16	18232-300-010	F-18	23110-300-030	E-16	24445-300-020	E-13
	E-26	16104-300-024	E-26	17247-240-000	F-17	18236-300-010	F-18	23131-300-015	E-16	24447-300-000	E-13
16012-300-004	E-25	16104-300-034	E-26	17247-303-000	F-17	18236-300-030	F-18	23150-300-010	E-19	24610-300-010	E-13
16012-300-014	E-26	16104-300-044	E-26	17253-300-330	F-16	18291-254-000	F-18	23210-300-000	E-18	24641-300-000	E-13
16012-300-610	E-25	16104-300-303	E-25	17253-341-300	F-16	18292-290-000	F-18	23220-300-010	E-18	24651-300-020	E-13
16012-300-611	E-26	16104-300-304	E-25	17255-230-000	F-16	18300-300-030	F-18	23314-319-300	E-21	24652-300-000	E-13
16013-300-004	E-25	16104-300-313	E-25	17255-300-000	E-4	18300-300-040	F-18	23421-300-050	E-18	24661-300-000	E-13
	E-26	16104-300-610	E-25	17255-300-010	E-4	18300-300-345	F-18	23425-300-010	E-18	24663-300-000	E-13
	E-26	16104-300-620	E-26	17500-300-020AZ	F-13	18300-300-620	F-18	23431-300-010	E-18	24666-300-000	E-13
16014-300-004	E-25	16139-300-004	E-25	17500-300-020CM	F-13	18311-300-000	F-18	23440-300-010	E-18	24701-300-020	E-13
16014-300-014	E-26		E-26	17500-300-030AZ	F-13	18311-300-320	F-18	23450-300-010	E-18	24781-205-000	E-13
16015-300-004	E-25	16141-300-014	E-26	17500-300-030CM	F-13	18311-300-620	F-18	23460-300-010	E-18		
	E-26	16154-300-004	E-26	17500-300-030CQ	F-13	18315-300-010	F-18	23471-300-010	E-18	28000	
16016-300-004	E-25	16194-300-304	E-25	17500-300-030EE	F-13	18315-300-020	F-18	23481-300-020	E-18	28101-300-000	E-11
16016-300-014	E-26	16211-300-020	E-4	17500-300-030EF	F-13	18350-300-030	F-18	23485-300-020	E-18	28106-300-000	E-11
16016-300-024	E-26	16211-300-030	E-4	17500-300-030EG	F-13	18350-300-620	F-18	23491-300-010	E-18	28109-300-000	E-11
16022-300-004	E-25	16211-300-305	E-4	17500-300-040AZ	F-13	18400-300-030	F-18	23501-300-020	E-18	28110-300-000	E-11
16023-300-004	E-25	16212-300-020	E-4	17500-300-040CM	F-13			23511-300-020	E-21	28120-300-000	E-10
	E-26	16212-300-030	E-4	17500-300-040CQ	F-13						
		16212-300-305	E-4	17500-300-040EE	F-13						
		16290-300-000	E-25	17500-300-040EF	F-13						

PART NO. INDEX



PART NO. INDEX

Part No.	Block	Part No.	Block	Part No.	Block	Part No.	Block	Part No.	Block	Part No.	Block
28125-516-030	E-10	31000		33107-300-003	F-25	33600-300-700	F-30	33709-077-671	F-36	35250-300-033	F-2
28126-516-020	E-10				F-27		F-31		F-38	35250-300-620	F-2
28128-516-000	E-10	31101-300-035	E-10		F-28	33600-300-610	F-32	33709-341-671	F-39	35250-323-013	F-2
28210-300-000	E-20	31102-300-035	E-10		F-29	33600-317-730	F-30	33710-300-610	F-37	35250-341-672	F-2
28241-300-010	E-20	31103-300-035	E-10	33108-568-610	F-27	33600-323-631	F-30	33711-300-000	F-36	35300-300-043	F-2
28250-300-020	E-20	31110-300-000	E-10	33117-292-003	F-26	33600-341-610	F-32		F-38	35300-300-053	F-1
28251-300-030	E-20	31110-300-010	E-10		F-27	33602-323-631	F-30		F-39	35300-300-620	F-1
28252-300-020	E-20	31110-300-154	E-10		F-28	33604-323-670	F-31	33711-300-600	F-35	35300-300-621	F-1
28253-300-000	E-20	31200-300-030	E-11		F-29	33605-292-610	F-32	33711-323-000	F-39	35300-300-677	F-1
28254-300-000	E-20	31201-292-158	E-11	33120-300-013	F-26	33605-323-670	F-31	33712-300-003	F-36	35300-300-674	F-1
28255-300-000	E-20	31204-292-158	E-11	33121-300-672	F-27	33605-341-671	F-2		F-38	35300-300-730	F-1
28256-300-000	E-20	31205-286-158	E-11		F-28	33606-074-010	F-31		F-39	35315-235-000	F-1
28261-300-010	E-20	31206-286-158	E-11		F-29	33607-292-000B	F-30	33712-300-600	F-35	35317-001-310	F-1
28292-250-010	E-20	31270-300-000	E-11	33123-568-740	F-28	33607-323-670	F-31	33713-300-000	F-36		F-2
28293-250-000	E-20	31270-300-154	E-11	33125-292-670	F-26	33608-286-000	F-30		F-38	35317-235-000	F-2
28300-300-000	E-20	31280-300-000	E-11		F-27	33608-300-000	F-30		F-39	35318-259-000	F-1
28311-250-000	E-20	31282-300-020	E-11		F-28	33610-300-000	F-30	33713-300-600	F-35		F-2
28311-329-000	E-20	31283-300-000	E-11		F-29		F-31	33713-323-000	F-39	35350-292-003	F-33
28321-300-000	E-20	31400-300-035	F-34	33128-200-030	F-26	33610-300-610	F-32	33714-300-610	F-32	35350-300-006	F-5
28333-300-000	E-20	31403-300-000	F-34	33128-292-670	F-27	33615-300-730	F-30	33715-051-000	F-37	35350-300-016	F-5
		31500-300-670	F-34		F-28	33620-300-000	F-30	33715-300-610	F-32	35350-336-000	F-33
		31700-300-035	F-34		F-29	33650-300-000	F-30	33716-051-000	F-37	35357-300-000	F-33
		31700-341-015	F-34	33130-300-003	F-26		F-31	33717-292-610	F-37	35500-300-000	E-11
30000					F-29	33650-300-610	F-32	33718-077-671	F-36	35752-300-010	E-19
30151-300-000	F-33			33130-300-611	F-27	33650-317-730	F-30		F-38	35754-300-020	E-19
30152-300-000	F-33	32000		33130-300-621	F-28	33650-323-631	F-30	33719-077-671	F-36	35850-306-670	F-34
30200-300-005	E-7			33153-300-622	F-27	33650-341-610	F-32		F-38	35851-300-000	F-34
30200-300-015	E-7	32100-300-040	F-33		F-28	33660-300-000	F-30		F-39		
30200-300-154	E-7	32100-300-050	F-33	33153-300-671	F-29		F-31	33719-292-000	F-35	37000	
30201-300-005	E-7	32100-300-000	F-33	33321-505-003	F-29	33660-300-610	F-32	33720-300-000	F-33		
30201-300-015	E-7	32101-300-620	F-2	33321-533-611	F-27	33665-300-730	F-30	33741-286-670	F-8	37230-300-621	F-25
30201-300-154	E-7	32110-300-000	F-34	33321-533-621	F-28	33700-292-600	F-35	33741-292-610	F-37	37230-300-622	F-25
30203-300-005	E-7	32110-341-008	F-34	33322-533-721	F-28	33700-300-610	F-37	33741-340-670	F-8	37230-300-623	F-25
30203-300-154	E-7	32111-300-000	E-14	33400-292-611	F-32	33700-323-610	F-37		F-9	37230-300-671	F-25
30204-300-005	E-7	32116-300-010	E-10	33400-292-612	F-32	33700-323-611	F-37	33743-286-670	F-8	37230-300-672	F-25
30204-300-154	E-7	32121-300-750	F-33	33400-292-670	F-30	33701-041-601	F-35	33743-341-670	F-8	37230-341-621	F-25
30205-003-005	E-7	32161-268-000	F-2	33400-292-670	F-31	33701-051-000	F-37		F-9	37230-341-622	F-25
30205-300-154	E-7			33400-292-670	F-30	33701-300-671	F-38			37230-341-671	F-25
30215-300-005	E-7	32162-286-000	F-33	33400-317-730	F-30	33701-300-730	F-38	34000		37230-341-672	F-25
30215-300-154	E-7	32401-300-010	F-34	33401-292-003	F-30	33701-323-603	F-26			37234-300-009	F-25
30220-300-005	E-7	32411-253-000	E-11		F-31		F-38	34901-259-611	F-27	37234-341-009	F-25
30220-300-154	E-7	32412-300-010	F-34	33402-268-610	F-32		F-38	34902-259-000	F-3	37235-300-009	F-25
30231-300-010	E-7	32413-300-010	F-34	33402-268-671	F-30	33701-323-631	F-38		F-25	37235-300-019	F-25
30233-300-000	E-7	32601-300-000	F-34		F-31	33701-341-671	F-39		F-25	37235-300-029	F-25
30250-300-005	E-7	32983-011-000	F-24	33402-292-003	F-30	33702-077-671	F-38	34902-259-610	F-27	37235-300-029	F-25
30250-300-154	E-7	32985-300-000	F-24		F-31	33702-077-671	F-35	34905-268-671	F-30	37235-341-621	F-25
30254-300-300	E-7			33403-285-010	F-32	33702-292-003	F-38		F-31	37236-300-009	F-25
30370-300-020	E-7	33000		33407-284-000	F-30	33702-302-003	F-36	34906-268-810	F-35	37236-341-621	F-25
30372-300-300	E-7				F-31	33702-323-603	F-38		F-38	37237-300-000	F-25
30500-300-013	F-33	33100-300-043	F-26	33408-284-000	F-30		F-38	34906-341-671	F-39	37240-300-019	F-25
30501-300-003	F-33	33100-300-600	F-27		F-31	33702-323-631	F-38	34906-594-602	F-36	37240-300-020	F-25
30502-300-003	F-33	33100-300-610	F-27		F-32	33702-341-671	F-39		F-38	37240-341-009	F-25
30511-300-000	F-33			33410-292-610	F-32	33703-077-671	F-36			37240-341-621	F-25
30700-300-000	E-4	33100-300-621	F-28	33411-285-000	F-32		F-38	35000		37244-300-009	F-25
30700-300-010	E-4	33100-300-673	F-29	33413-285-000	F-32	33703-303-003	F-38			37244-341-009	F-25
30700-300-620	E-4	33100-300-690	F-28	33443-268-671	F-30	33703-341-671	F-39	35010-300-003	F-33	37246-300-009	F-25
30700-341-620	E-4	33101-300-043	F-26		F-31	33707-292-013	F-35	35010-313-003	F-33	37246-341-621	F-25
30710-300-000	E-4	33101-300-673	F-27	33450-292-611	F-32	33707-300-610	F-37	35010-341-611	F-33	37260-300-000	F-25
30710-300-010	E-4			33450-292-612	F-32	33708-077-671	F-36	35010-341-670	F-33	37261-300-000	F-25
30710-300-620	E-4			33450-292-670	F-30		F-38	35010-341-671	F-33	37576-323-000	F-3
30710-341-620	E-4	33103-300-003	F-26		F-31	33708-300-610	F-37			37577-341-000	F-3
			F-27	33450-317-730	F-30	33708-341-671	F-39	35100-300-003	F-33	37579-341-010	F-3
			F-28	33453-292-003	F-30	33709-041-000	F-35	35100-313-003	F-33	37581-323-000	F-3
			F-29		F-31	33709-051-000	F-37	35150-300-620	F-2		
				33460-292-610	F-32			35150-300-730	F-2		

PART NO. INDEX



PART NO. INDEX

Part No.	Block	Part No.	Block	Part No.	Block	Part No.	Block	Part No.	Block	Part No.	Block
38000		42601-300-030	F-20	44643-300-000	F-7	45151-300-000	F-6	50325-300-020	F-34	51442-300-000	F-8
38100-300-013	F-33	42605-300-000	F-20	44701-300-013	F-7	45451-283-000	F-11	50327-300-000	F-34	51442-319-000	F-8
38100-300-023	F-33	42606-300-003	F-20	44711-300-003	F-7		F-12	50329-300-010	F-34	51443-273-000	F-8
38100-300-620	F-33	42607-300-003	F-20	44711-300-004	F-7	45465-300-000	F-10	50330-300-020	F-34	51444-273-000	F-8
38100-300-621	F-33	42609-341-000	F-20	44711-300-013	F-7	45500-300-030	F-4	50330-341-000	F-34	51445-273-000	F-8
38101-300-620	F-2	42610-300-030	F-20	44711-300-014	F-7	45500-300-040	F-4	50341-300-010	F-17	51445-319-000	F-8
38201-250-000	F-34	42620-300-010	F-20	44711-341-003	F-7	45500-300-050	F-4	50351-300-040B	F-41	51446-273-000	F-8
38300-292-670	F-34	42701-300-013	F-20	44711-341-004	F-7	45500-300-621	F-4	50356-300-010B	F-41	51447-273-000	F-8
38300-300-000	F-34	42711-300-003	F-20	44712-300-000	F-7	45500-300-622	F-4	50375-300-000B	F-33	51451-300-000	F-8
38300-300-610	F-34	42711-300-004	F-20	44713-300-000	F-7	45500-300-623	F-4	50376-300-000	F-33	51451-319-000	F-8
38306-292-000	F-34	42711-300-013	F-20	44800-300-020	F-7	45500-341-620	F-4	50377-300-000	F-33	51452-319-000	F-8
38306-292-670	F-34	42711-300-014	F-20	44800-300-030	F-7	45500-341-671	F-4	50462-300-000	F-33	51452-319-010	F-8
38400-341-671	F-33	42711-341-003	F-20	44830-300-010	F-25	45500-341-770	F-4	50462-323-000	F-33	51500-300-030	F-8
38402-341-671	F-33	42711-341-004	F-20	44830-300-672	F-25	45530-377-305	F-4	50500-300-020B	F-40	51500-341-701	F-9
38403-341-672	F-33	42712-300-000	F-20	44831-300-000	F-25	45502-300-305	F-4	50522-300-010	F-40	51500-341-702	F-9
		42713-300-000	F-20	44831-300-672	F-25	45504-300-003	F-4	50523-300-010	F-40	51520-300-040	F-8
						45505-300-003	F-4	50524-001-000	F-18	51520-319-000	F-8
40000		43000		45000		45506-300-003	F-4	50526-300-000	F-40	51520-319-010	F-8
40510-300-040B	F-23	43100-300-020	F-19	45100-300-023	F-6	45512-300-003	F-4	50530-294-000	F-40	51521-341-701	F-9
40510-300-050B	F-23	43100-300-030	F-19	45100-300-023B	F-6	45513-300-020	F-4	50530-300-000	F-40	51601-300-000	F-8
40510-300-060B	F-23	43100-341-680	F-19	45100-341-003	F-6	45513-341-671	F-4	50530-341-670	F-40		F-9
40510-341-010B	F-23	43102-319-000	F-19	45101-300-033	F-6	45513-341-770	F-4	50542-273-000	F-40	51602-300-672AZ	F-8
40511-300-000	F-23	43106-222-300	F-19	45101-300-043	F-6	45517-300-003	F-4	50542-286-000	F-40	51602-300-672CM	F-8
40512-300-000	F-23	43120-300-010	F-19	45101-300-053	F-6	45518-300-003	F-4	50543-283-000	F-18	51602-300-672CQ	F-8
40513-310-000	F-12	43134-300-000	F-19	45102-300-033	F-6	45520-300-000	F-4	50603-033-000	F-40	51602-300-672EE	F-8
40514-310-000	F-12	43141-300-010	F-19	45102-300-043	F-6	45521-300-000	F-4	50615-300-670B	F-40	51602-300-672EF	F-8
40530-300-003	F-23	43141-341-000	F-19	45104-317-700	F-6	45521-300-010	F-4	50616-283-020B	F-40	51602-300-672EG	F-8
40530-300-503	F-23	43151-283-000	F-19	45105-300-040	F-6	45522-300-010	F-5	50616-310-000	F-40	51602-300-672Z	F-8
40530-300-810	F-23	43151-346-000	F-19	45105-341-000	F-6	45525-300-000	F-4	50617-300-670	F-40	51602-341-670XW	F-9
40530-341-305	F-23	43410-300-020	F-19	45106-300-040	F-6	45526-300-000	F-4	50630-300-670B	F-40		F-9
40531-300-003	F-23	43410-341-700	F-19	45106-341-000	F-6	45526-341-000	F-4	50640-300-305B	F-40	51606-300-672AZ	F-8
40531-300-305	F-23	43431-286-010	F-23	45107-300-003	F-6	45527-300-000	F-4	50640-300-670B	F-40	51606-300-672CM	F-8
40531-300-315	F-23	43451-300-010	F-19	45108-300-003	F-6			50641-300-670B	F-40	51606-300-672CQ	F-8
40531-300-750	F-23	43471-292-010	F-19	45109-300-003	F-6	46000		50642-283-020B	F-40	51606-300-672EE	F-8
40531-300-751	F-23	43472-212-000	F-19	45110-300-003	F-6	46125-533-003	F-4	50642-310-000	F-40	51606-300-672EF	F-8
40543-300-000	F-20	43486-250-000	F-19	45115-300-030	F-6	46140-533-003	F-4	50644-300-670	F-40	51606-300-672EG	F-8
40548-268-000	F-23			45115-341-670	F-6	46500-300-010	F-19	50661-283-010	F-40	51606-300-672Z	F-8
		44000		45116-300-030	F-6	46500-341-000	F-19	50661-310-000	F-40	51606-341-000XW	F-9
41000		44064-300-000	F-7	45116-323-020	F-6	46510-300-010	F-19	50711-300-010	F-18	51606-341-670XW	F-8
41024-300-030	F-20	44301-300-000	F-7	45117-300-020	F-6	46514-300-000	F-19	50712-024-000	F-18		F-9
41201-300-870	F-20	44311-300-000	F-7	45117-341-700	F-6			50714-300-000	F-18	51608-300-000	F-8
41205-300-000	F-20	44601-300-030	F-7	45119-300-020	F-6	50000		50715-283-000	F-18		F-9
41211-300-000	F-20	44601-300-040	F-7	45120-300-040	F-6	50010-300-621B	F-41	50731-024-000	F-18	51611-300-000	F-8
41211-341-000	F-20	44606-283-000	F-7	45120-341-000	F-6	50010-341-010B	F-41			51622-292-010	F-8
41231-283-000	F-20	44606-283-000	F-20	45125-300-003	F-5	50010-341-610B	F-41	51000			F-9
41231-300-020	F-20	44606-283-000	F-7	45125-300-010	F-5	50010-341-620B	F-41	51400-300-030	F-8	51634-292-000	F-8
41241-300-020	F-20	44607-283-000	F-7	45125-300-020	F-5	50100-300-050B	F-41	51400-341-701	F-9		
41241-300-030	F-20	44607-283-000	F-20	45126-300-020	F-5	50100-300-060B	F-41	51400-341-702	F-9	52000	
41241-300-040	F-20	44607-300-003	F-7	45126-300-030	F-5	50100-300-365B	F-41	51401-300-000	F-8		
41242-300-000	F-20	44608-283-000	F-7	45126-300-610	F-5	50100-300-610B	F-41	51401-341-700	F-9	52100-300-030B	F-23
41242-300-010	F-20	44608-283-000	F-20	45126-300-611	F-5	50100-300-620B	F-41	51410-300-010	F-8	52100-300-040B	F-23
41242-300-020	F-20	44609-283-000	F-7	45126-300-612	F-5	50100-300-621B	F-41	51410-300-020	F-8	52100-300-050B	F-23
		44609-283-000	F-20	45126-341-000	F-5	50156-300-020	F-41	51410-341-702	F-9	52100-341-000B	F-23
		44620-300-020	F-7	45126-341-003	F-5	50223-341-000	F-15	51412-340-000	F-9	52108-292-300	F-23
42000		44641-300-000	F-7	45127-300-020	F-5	50301-268-305	F-10	51420-300-040	F-8	52108-300-300	F-23
42301-300-000	F-20	44641-300-010	F-7	45128-300-010	F-5	50302-268-305	F-10	51420-319-000	F-8	52109-283-300	F-23
42301-300-010	F-20	44641-300-020	F-7	45128-341-670	F-5	50316-300-030	F-21	51420-319-010	F-8	52136-300-000	F-23
42311-300-010	F-20	44641-341-000	F-7	45129-300-000	F-5	50316-300-030	F-22	51421-341-701	F-9	52141-300-000	F-23
42313-300-020	F-20	44642-300-000	F-7	45131-300-305	F-6	50322-300-010	F-34	51430-341-701	F-9	52144-283-010	F-23
42601-300-020	F-20	44642-300-010	F-7	45132-300-305	F-6	50323-300-010	F-34	51432-340-000	F-9	52145-283-000	F-23
		44642-300-020	F-7	45140-341-670	F-6	50324-300-000	F-34	51437-329-010	F-9	52400-300-010XW	F-21
				45145-300-020	F-5						
				45146-300-000	F-5						

PART NO. INDEX

PART NO. INDEX

Part No.	Block	Part No.	Block	Part No.	Block
52400-300-020XW	F-21	53232-300-000	F-25	61301-300-010EG	F-26
52400-341-000XW	F-22	53235-300-000	F-3		F-27
52401-300-010	F-21	53600-051-000	F-10		F-28
52401-300-020	F-21	53600-230-000	F-10	61301-336-000	F-28
52401-341-000	F-22	53601-051-000	F-10	61302-300-000	F-26
52403-312-000	F-22	53602-051-000	F-10		F-27
52410-300-010	F-21	53603-051-000	F-10		F-28
52410-341-000	F-22	53631-268-020	F-10		F-29
52421-300-000XW	F-21			61303-292-000	F-26
	F-22	55000			F-27
52422-292-000	F-22				F-28
52424-292-000	F-21	55100-300-050B	F-17	61303-292-000	F-29
52424-331-003	F-22	55100-300-060B	F-17	61303-336-000	F-26
52446-074-003	F-21	55105-300-010	F-17		F-29
52458-312-000	F-22	55106-300-000	F-17	61303-336-010B	F-27
52459-312-003	F-21	55107-300-000	F-17	61304-292-000	F-26
	F-22				F-27
52482-312-000	F-22	61000			F-28
52484-292-000	F-21				F-29
	F-22	61100-300-030XW	F-11	77000	
52485-300-000	F-21	61100-300-040XW	F-11	77200-300-020A	F-14
52517-312-000	F-22	61100-300-600XW	F-11	77200-300-030A	F-14
		61100-341-600XW	F-12	77200-341-000A	F-15
53000		61100-341-700XW	F-12	77200-341-700	F-15
		61102-300-000	F-11	77201-300-010	F-14
53020-300-020H	F-10		F-12		F-15
53100-300-000	F-3	61106-300-000	F-11	77201-341-000	F-15
53100-300-610	F-3	61107-300-000	F-11	77203-300-000	F-14
53100-341-000	F-3	61111-323-000	F-11		F-15
53124-250-000	F-10	61111-341-700	F-12	77204-292-000	F-14
53131-300-000	F-3	61112-323-000	F-11		F-15
53133-323-000	F-3	61112-341-700	F-12	77205-286-000	F-14
53141-240-000	F-1	61131-283-600B	F-11		F-15
53141-300-010	F-1		F-12	77211-323-300	F-15
53163-205-010	F-1	61132-300-600	F-11	77212-323-300	F-15
53163-300-010	F-1		F-12	77220-340-011	F-15
53163-300-020	F-1	61301-300-010AZ	F-26	77228-340-001	F-15
53165-283-000	F-1		F-27	77229-340-001	F-15
53165-342-670	F-1		F-28	77230-300-000	F-14
53166-283-000	F-2	61301-300-010B	F-26	77230-300-010	F-14
53166-342-670	F-2		F-27	77230-340-013	F-15
53170-300-000	F-4		F-29	77230-347-003	F-15
53180-286-000	F-4	61301-300-010CM	F-26	77231-300-010	F-14
			F-27	77232-300-000	F-14
53190-286-670	F-2		F-28	77233-300-010	F-14
53190-300-000	F-1		F-29	77233-300-020	F-14
53190-369-700	F-1	61301-300-010CQ	F-26	77234-300-G10	F-14
53191-300-000	F-1		F-27	77234-300-000	F-14
53192-268-000	F-2		F-28	77235-300-010	F-14
53200-300-020B	F-10		F-29	77235-300-020	F-14
53200-300-020H	F-10	61301-300-010EE	F-26	77238-300-000	F-14
53200-300-610B	F-10		F-27	77238-300-010	F-14
53211-268-305	F-10		F-28	77239-300-000	F-14
53212-250-305	F-10		F-29	77239-300-010	F-14
53215-230-000	F-10	61301-300-010EF	F-26	77241-300-000	F-14
53215-250-000	F-10		F-27	77242-300-000	F-14
53215-317-000	F-10		F-28	77243-300-000	F-14
53220-286-000	F-10		F-29	77244-300-000	F-14
53225-333-000	F-10			77250-342-300	F-15
53226-341-700	F-10			77251-342-000	F-15
53230-300-010	F-3				
53230-300-020	F-3				
53230-300-673	F-3				
53231-300-000	F-25				

Part No.	Block	Part No.	Block	Part No.	Block
80000		84000		88000	
80100-300-020XW	F-24	84101-341-671	F-24	88110-074-000	F-1
80100-300-030XW	F-24	84701-300-010XW	F-38	88110-300-000	F-1
80100-300-600XW	F-24	84701-300-020XW	F-38	88110-304-621	F-1
80100-300-610XW	F-24	84701-300-600B	F-35	88110-323-610	F-1
80100-300-620XW	F-24	84701-300-611H	F-37	88120-074-000	F-2
80100-300-621XW	F-24	84701-300-671XW	F-38	88120-300-000	F-2
80100-300-730XW	F-24	84701-300-672XW	F-38	88120-304-621	F-2
80100-300-731XW	F-24	84701-323-600H	F-36	88120-323-610	F-2
80101-283-000	F-39	84701-323-61GH	F-37		
80105-300-000	F-24	84701-341-670XW	F-39	89000	
80105-300-010	F-24	84702-300-000	F-38	89010-300-000	F-42
80105-341-000	F-24	84702-300-010	F-38	89010-341-000	F-42
80108-061-000	F-31	84705-292-000	F-35	89010-341-010	F-43
80121-300-730	F-24		F-36	89101-300-010	F-42
80121-300-731	F-24		F-37		F-43
		84705-300-620	F-38	89202-283-000	F-42
83000		84706-286-000	F-34	89203-283-000	F-42
			F-36	89206-283-000	F-42
83551-300-000	F-15	84706-286-000	F-38	89216-300-000	F-42
	F-17	84706-341-000	F-39		F-43
83600-300-020AZ	F-17	84710-300-620	F-38	89231-001-000	F-42
83600-300-020CM	F-17			89232-300-000	F-42
83600-300-020CQ	F-17	87000		89235-253-000	F-42
83600-300-030AZ	F-17	87121-300-020	F-13		
83600-300-030CM	F-17	87121-300-030	F-13	90000	
83600-300-030CQ	F-17	87121-341-000	F-13	90009-300-000	E-6
83600-300-030EE	F-17	87122-300-020	F-13	90009-300-010	E-6
83600-300-030EF	F-17	87122-300-030	F-13	90012-300-000	E-2
83600-300-030EG	F-17	87122-341-000	F-13	90014-300-000	E-10
83600-300-030LU	F-17	87123-300-020B	F-17	90014-300-010	E-10
83600-300-030LV	F-17	87123-300-020DM	F-17	90018-300-000	E-1
83600-300-030LX	F-17	87123-300-030	F-17	90033-300-020	E-23
83600-300-030MV	F-17	87123-341-000	F-17	90033-300-030	E-23
83600-341-701CM	F-17	87124-300-020B	F-17	90034-300-020	E-23
83600-341-701LU	F-17	87124-300-020DM	F-17	90034-300-030	E-23
83600-341-701LV	F-17	87124-300-030	F-17	90040-300-000	E-22
83600-341-701LX	F-17	87125-041-680	F-41	90041-300-000	E-24
83600-341-701MV	F-17	87125-300-000	F-17	90042-300-000	E-24
83700-300-020AZ	F-17	87125-300-010	F-17	90043-300-000	E-3
83700-300-020CM	F-17	87126-300-000	F-17	90046-300-000	E-23
83700-300-020CQ	F-17	87126-341-000	F-17	90048-300-000	E-23
83700-300-030AZ	F-17	87127-300-000	F-17	90049-300-000	E-4
83700-300-030CM	F-17	87127-341-000	F-17	90051-300-000	E-3
83700-300-030CQ	F-17	87311-516-000	F-13	90052-300-000	E-3
83700-300-030EE	F-17	87501-300-610	F-41	90053-300-000	E-10
83700-300-030EF	F-17	87501-300-620	F-41	90054-300-000	E-3
83700-300-030EG	F-17	87501-341-631	F-41	90055-300-000	E-4
83700-300-030LU	F-17	87505-300-670	F-24	90081-246-000	E-6
83700-300-030LV	F-17	87505-341-670	F-24	90108-283-000	F-40
83700-300-030LX	F-17	87505-341-771	F-24	90114-268-020	F-2
83700-300-030MV	F-17	87560-323-611A	F-13	90114-300-000	F-4
83700-341-701CM	F-17	87560-323-611B	F-13	90116-283-010	F-9
83700-341-701LU	F-17	87560-323-621A	F-13	90119-300-000	F-20
83700-341-701LV	F-17	87560-323-621B	F-13	90121-300-000	F-23
83700-341-701LX	F-17	87560-323-670A	F-13	90122-300-010	F-7
83700-341-701MV	F-17	87560-323-670B	F-13	90122-300-020	F-7
				90123-300-000	F-8
					F-9
				90124-292-000	F-1



PART NO. INDEX

PART NO. INDEX



Part No.	Block	Part No.	Block	Part No.	Block
90127-283-000	F-23	90436-300-000	E-19	91202-216-000	E-8
90127-323-000	F-23	90439-300-000	E-1	91204-286-003	E-8
90128-300-030	F-20	90441-512-000	F-17	91205-300-005	E-21
90128-341-000	F-20	90451-300-000	E-18	91206-286-013	E-12
90133-286-000	F-23	90452-300-000	E-18	91211-286-003	E-1
90141-300-000	F-17	90453-300-000	E-3	91215-300-003	E-11
90143-300-010	F-16	90458-292-000	E-18	91252-300-003	F-7
90143-300-020	F-16	90458-506-810	E-18	91255-300-013	F-8
90144-300-020	F-16	90481-292-000	E-9	91255-300-023	F-8
90145-300-000	F-5	90485-035-000	E-4		F-9
90146-300-010	F-18		E-23	91255-300-025	F-8
90146-300-020	F-18		E-24		F-9
90152-300-010	F-41	90503-283-000	F-10	91255-300-033	F-9
90154-268-670	F-30	90512-300-000	F-23	91256-300-003	F-9
	F-31		F-24	91258-300-013	F-9
90154-292-610	F-32	90513-323-000	F-24	91259-300-000	F-6
90155-300-000	F-41	90514-323-000	F-40	91301-283-000	E-8
90156-300-000	F-41	90514-700-000	F-15		E-19
90162-283-000	F-38		F-34	91301-300-000	E-7
90162-292-000	F-35	90521-292-000	F-21	91301-704-000	F-16
	F-36		F-22	91302-001-020	E-1
	F-37	90522-300-010	F-6	91302-300-000	F-7
	F-38	90523-292-000	F-20	91304-028-000	E-14
	F-39	90523-300-000	F-20		E-15
90162-292-670	F-38	90526-268-000	F-23		E-22
90165-292-000	F-35	90543-273-000	F-8	91304-286-000	E-5
90165-300-023	F-6		F-9	91305-323-000	E-4
90167-300-000	F-13	90544-283-000	F-9	91309-035-000	E-5
90168-300-000	F-25	90545-044-000	E-12		E-22
90205-300-000	E-2	90545-300-000	E-11	91309-300-000	E-11
90231-200-010	E-9		F-5	91310-300-000	E-5
90236-300-000	E-4	90554-240-000	F-16	91311-044-000	E-19
90301-300-000	F-16	90555-283-000	F-3		E-22
90304-300-000	F-10	90581-310-000	F-39	91313-300-003	E-21
90304-323-670	F-10	90581-701-000	F-16	91315-044-000	E-22
90305-300-000	F-7		F-23	91316-300-003	E-14
90306-268-000	F-20		F-34	91316-300-005	E-14
90309-315-000	F-22		F-36	91317-300-003	E-4
90313-512-000	F-17	90581-831-650	F-38	91318-300-013	E-4
90313-567-000	F-17	90601-292-000	F-8	91319-300-000	E-22
90321-292-000	F-2	90601-300-000	E-18		
90321-315-670	F-2	90601-319-000	F-8	92000	
90324-300-000	F-30	90603-300-000	E-22		
	F-32	90651-377-003	F-4	92000-05016-0A	E-3
90354-268-000	F-23	90753-283-000	F-20	92000-05018-0A	F-14
90402-822-000	E-8	90809-300-300	E-18	92000-05020-0B	F-36
90403-300-000	E-24	90841-001-000	F-41		F-38
90404-300-810	E-21	90899-283-000	F-38		F-39
90405-300-000	E-21	90899-323-610	F-36	92000-06008-02	E-11
90407-259-000	E-21			92000-06010	F-8
90417-001-000	E-13	91000			F-9
90417-041-000	E-13			92000-06012-02	E-11
90425-300-000	E-10	91001-035-000	E-18	92000-06012	E-21
90428-300-000	E-10	91002-300-003	E-18		F-14
90428-300-010	E-10		E-21		F-15
90428-844-650	F-30	91003-275-000	E-18		F-16
	F-32	91003-259-000	E-21		F-17
		91004-300-000	E-16		F-18
90431-292-000	E-9	91006-300-008	E-21		F-23
90432-300-000	E-9	91007-300-008	E-21		F-34
90432-300-303	E-9	91008-300-008	E-21	92000-06014	F-23
90433-300-000	E-21	91101-516-000	E-10		
90433-300-010	E-21	91201-300-003	E-17		
90435-300-000	E-13				

Part No.	Block	Part No.	Block	Part No.	Block
92000-06016	E-10	92200-06025	F-12	93500-06032	E-10
	E-16	92200-08035-0A	F-6		E-12
	E-19	92200-08056-0A	F-41		E-15
	E-21	92200-10050-0A	F-41	93500-06036	E-8
	E-22	92700-06056	E-4		E-10
	F-11	92700-08049	F-8		E-12
	F-14	92700-08050-30	F-9	93500-06040	E-1
	F-15	92800-12000	E-14		E-12
	F-33		F-17		E-12
92000-06020	E-13			93500-06050	E-1
	E-15				E-12
	E-19	93000		93500-06056	E-12
	E-22			93500-06063	E-1
	F-19			93500-06080	E-1
	F-23	93000-06028-02	F-30	93600-05014-0B	F-25
	F-34		F-31	93600-06016-07	F-15
92000-06022	E-9		F-32	93600-06016	E-25
	F-12	93000-08040-0B	F-3		E-26
	F-4	93100-08040-0B	F-3	93600-06020	E-19
92000-06025-02	F-4	93200-10032-0B	F-21	93600-06025	E-19
92000-06025	E-13		F-22	93600-08022	E-10
	E-22		F-25		F-18
	F-11	93500-03005-0B	F-10	93700-03025-3B	F-30
	F-33	93500-03008-0A	E-25		F-31
	F-34	93500-03010-0A	F-32	93700-03050-0B	F-32
92000-06028	E-14		F-27	93700-05015-0A	F-7
	F-5	93500-03010-0B	F-28	93700-05025-0B	F-11
	F-24		F-29		F-12
92000-06032	E-15	93500-03045-0B	F-37	93700-06016-02	E-8
	F-33	93500-04005-0A	E-11	93700-06025-02	F-31
92000-06036	E-4	93500-04012-0B	F-11	93700-06032-02	E-7
	E-6		F-12	93903-25080	F-15
92000-06040	E-14	93500-04012-0A	F-2		
	E-23	93500-04020-0A	F-16	94000	
	E-24	93500-04022-0A	E-4		
92000-06050	E-14	93500-04045-4J	F-35	94001-05000-0S	F-1
	E-24	93500-04050-4J	F-36		F-12
92000-06056	E-3		F-38		F-14
	E-11	93500-04055-4J	F-39		F-37
	E-23	93500-05006-0A	F-1		F-38
92000-06071	F-23	93500-05008-0A	F-30	94001-05020-0S	F-11
92000-06080	E-23		F-31	94001-06000	E-3
92000-06090	E-4	93500-05012-0A	E-7		E-13
92000-06100	E-23	93500-05016-0A	F-18		F-2
	E-24	93500-05016-0B	F-26		F-6
92000-08022-0A	F-19	93500-05016-0B	F-27		F-14
92000-08025-0A	F-11		F-28		F-15
92000-08025-0B	F-32		F-29	94001-06000	F-16
92000-08028-0A	E-20	93500-05020-4J	F-25		F-23
	F-19	93500-05025-0A	E-1		F-24
	F-18		F-1		F-30
92000-08032-0A	F-30		F-2		F-31
92000-08032-0B	F-6	93500-05032-0A	F-1		F-33
92000-08040-0A	F-23	93500-06006-02	F-8		F-34
	F-33		F-9		F-38
	F-40	93500-06012-49	F-18	94001-06020	F-32
92000-08045-0A	F-41	93500-06012	E-26	94001-08000-0S	E-24
92000-08050-0A	F-6		F-16		F-6
92000-08056-0B	F-3	93500-06020-49	F-24		F-23
92000-08074-0B	F-3	93500-06020-4J	F-38		F-34
92000-10040-0A	F-10	93500-06020	E-10		F-40
92100-08020	E-3		F-16		F-41
92100-08080-0A	E-23	93500-06028	E-8	94001-08020-0S	F-3
92100-08080-0B	F-24		E-10	94001-10000-0S	E-24
			F-13		F-2



CONTENTS



ENGINE GROUP

E- 1	Cylinder head cover	C 2
E- 2	Valve • Rocker arm	C 3
E- 3	Camshaft • Holder	C 4
E- 4	Cylinder head • Insulator	C 5, C 6
E- 5	Cylinder • Piston	C 7, C 8
E- 6	Cam chain • Tensioner	C 9
E- 7	Contact breaker • Spark advancer	C 10
E- 8	Clutch cover	C 11
E- 9	Clutch	C 12
E-10	A.C. Generator • Dynamo cover	C 13
E-11	Starting motor	C 14
E-12	Mission cover • Rear cover	C 15
E-13	Gear shift • Drum stopper	C 16
E-14	Oil filter • Oil pan	D 1
E-15	Oil pump	D 2
E-16	Primary tensioner	D 3
E-17	Crankshaft	D
E-18	Transmission	D 5
E-19	Gear shift fork • Drum	D 7
E-20	Kick starter • Spindle	D 8
E-21	Final driven shaft • Drive sprocket	D 9
E-22	Crankcase	D 10
E-23	Bolt • Washer (Upper crankcase)	D 11
E-24	Bolt • Washer (Lower crankcase)	D 12, D 13
E-25	Carburetor (KEIHIN)	D 14, D 15
E-26	Carburetor (KEIHIN)	

FRAME GROUP

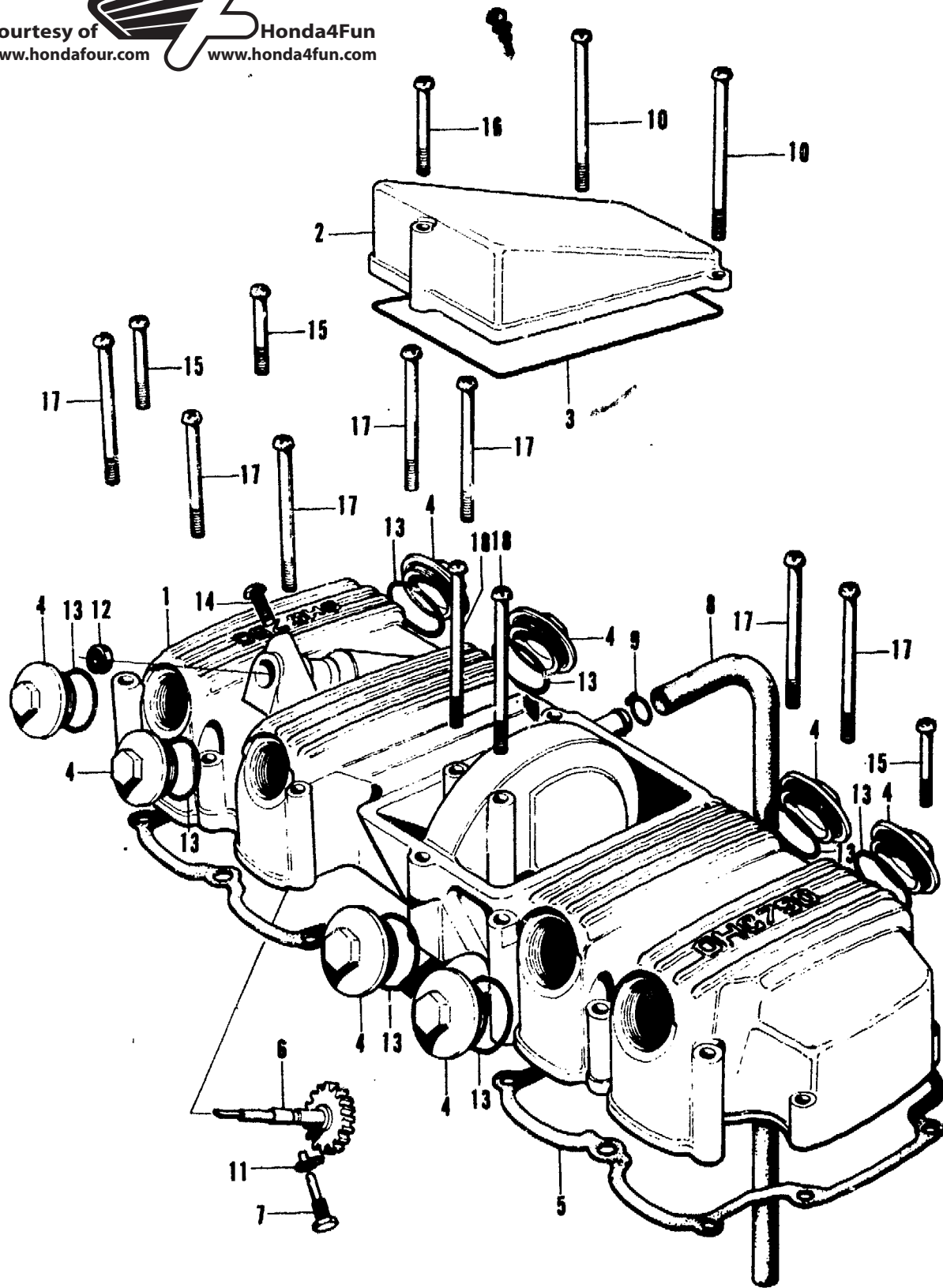
F- 1	R/H Handle switch • Cable	D 16
F- 2	R/H Handle switch • Cable	E 1
F- 3	Handle • Top bridge	E 2
F- 4	Brake master cylinder	E 3
F- 5	Front brake hose	E 4
F- 6	Front brake caliper • Disk	E 5, E 6
F- 7	Front wheel	E 7
F- 8	Front cushion	E 8, E 9
F- 9	Front cushion	E 10
F-10	Steering stem	E 11
F-11	Front fender	E 12
F-12	Front fender	E 13
F-13	Fuel tank • Cock	E 14, E 15
F-14	Double seat	E 16
F-15	Double seat	F 1

F-16	Air cleaner case • Element	F 2, F 3
F-17	Oil tank • Tank & Battery cover	F 4, F 5
F-18	Exhaust muffler	F 6, F 7
F-19	Rear brake pedal • Panel	F 8
F-20	Rear wheel • Driven sprocket	F 9, F 10
F-21	Rear cushion	F 11
F-22	Rear cushion	F 12
F-23	Rear fork • Chain case	F 13, F 14
F-24	Rear fender	F 15
F-25	Speedometer • Tachometer	F 16
F-26	Headlight	G 1
F-27	Headlight	G 2
F-28	Headlight	G 3
F-29	Headlight	G 4
F-30	Winker	G 5, G 6
F-31	Winker	G 7
F-32	Winker	G 8
F-33	Wire harness	G 9, G 10
F-34	Battery • Electric	G 11
F-35	Taillight	G 12
F-36	Taillight	G 13
F-37	Taillight	G 14
F-38	Taillight	G 15, G 16
F-39	Taillight	H 1
F-40	Stand • Step	H 2
F-41	Frame	H 3
F-42	Tool set	H 4
F-43	Tool set	H 5
	PART NO. INDEX	B 6-B 12

E-1 Cylinder head cover

E-1 Cylinder head cover

Courtesy of  Honda4Fun
www.hondafour.com www.honda4fun.com



Ref. No.	Part No.	Description	Reqd. No.			Serial No.	Area code
			CB	750 K1	K2		
1	12310-300-030	COVER, CYLINDER HEAD 12310-300-040	1			1010337	
	12310-300-040	COVER, CYLINDER HEAD 12310-300-050	1			1010338	
	12310-300-050	COVER, CYLINDER HEAD 12310-300-060		1		2304501	2357330
	12310-300-060	COVER, CYLINDER HEAD		1		2357331	
2	12321-300-010	COVER, CYLINDER HEAD BREATHER	1			1010337	
	12321-300-020	COVER, CYLINDER HEAD BREATHER 12321-300-030	1			1010338	
	12321-300-030	COVER, HEAD BREATHER		1			
3	12329-300-020	GASKET, BREATHER COVER	1	1	1		
4	12361-300-000	CAP, TAPPET ADJUSTING HOLE	8	8	8		
5	12391-300-030	GASKET, CYLINDER HEAD COVER 12391-300-040	1	1	1		
	12391-300-040	GASKET, CYLINDER HEAD COVER	1	1	1		
6	12431-300-010	GEAR, TACHOMETER	1	1	1		
7	12435-300-003	BOLT, TACHOMETER GEAR STOPPER	1	1	1		
8	15763-300-000	TUBE C, BREATHER	1	1			
	15763-300-303	TUBE C, BREATHER		1	1		
9	15772-292-010	CLIP, BREATHER TUBE	1	1	1		
10	90018-300-000	SCREW, PAN, 6X75	2	2	2		
11	90439-300-000	WASHER, LOCK	1	1	1		
12	91211-286-003	OIL SEAL, 4.8X14.5X4	1	1	1		
13	91302-001-020	O-RING, 30.8MM	8	8	8		
14	93500-05025-0A	SCREW, PAN, 5X25	1	1	1		
15	93500-06040	SCREW, PAN, 6X40	4	4	4		
16	93500-06050	SCREW, PAN, 6X50	1	1	1		
17	93500-06063	SCREW, PAN, 6X63	10	10	10		
18	93500-06080	SCREW, PAN, 6X80	2	2	2		

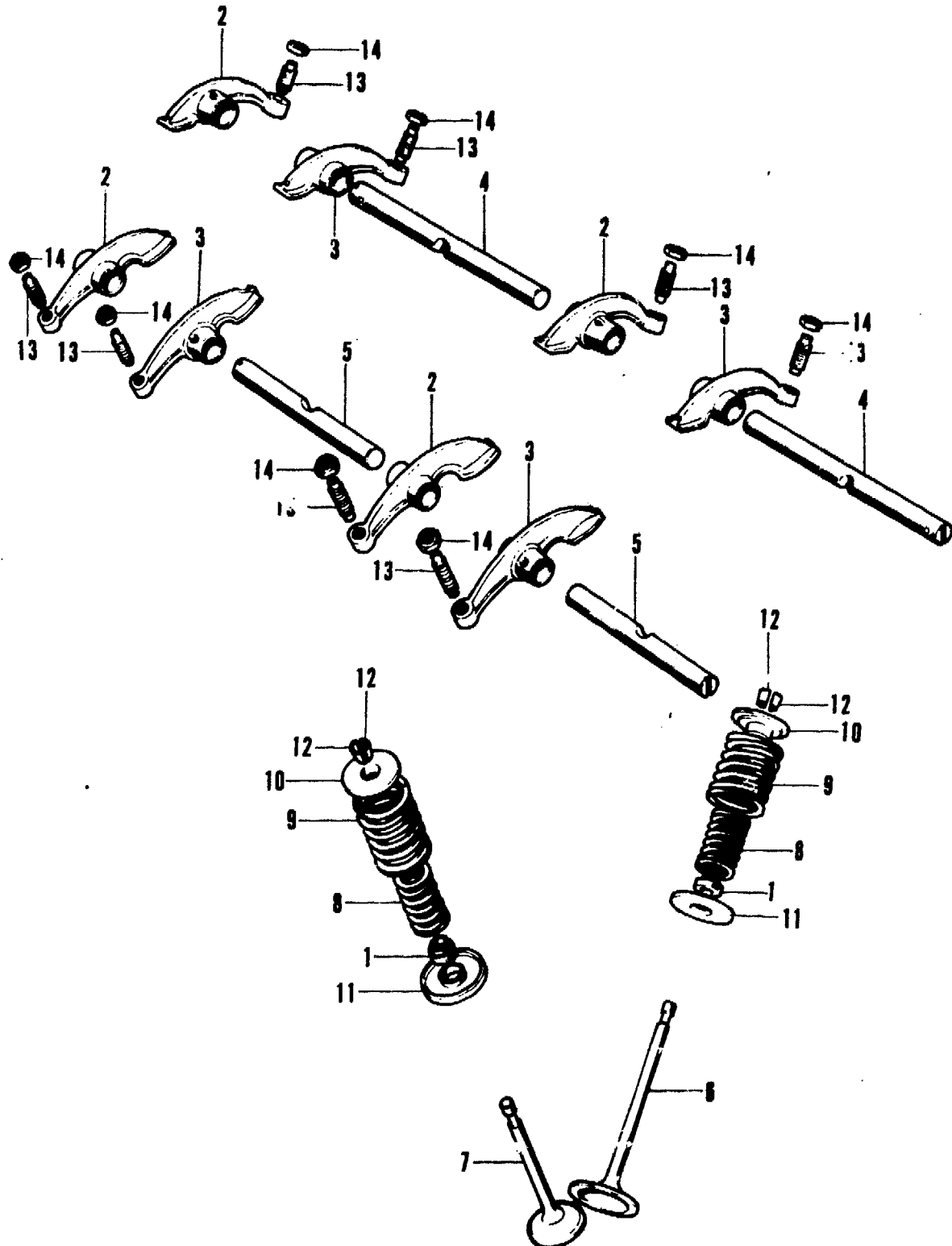
B300-1

Courtesy of  Honda4Fun
www.hondafour.com www.honda4fun.com

E-2 Valve • Rocker arm

E-2 Valve • Rocker arm

Courtesy of  Honda4Fun
www.hondafour.com www.honda4fun.com

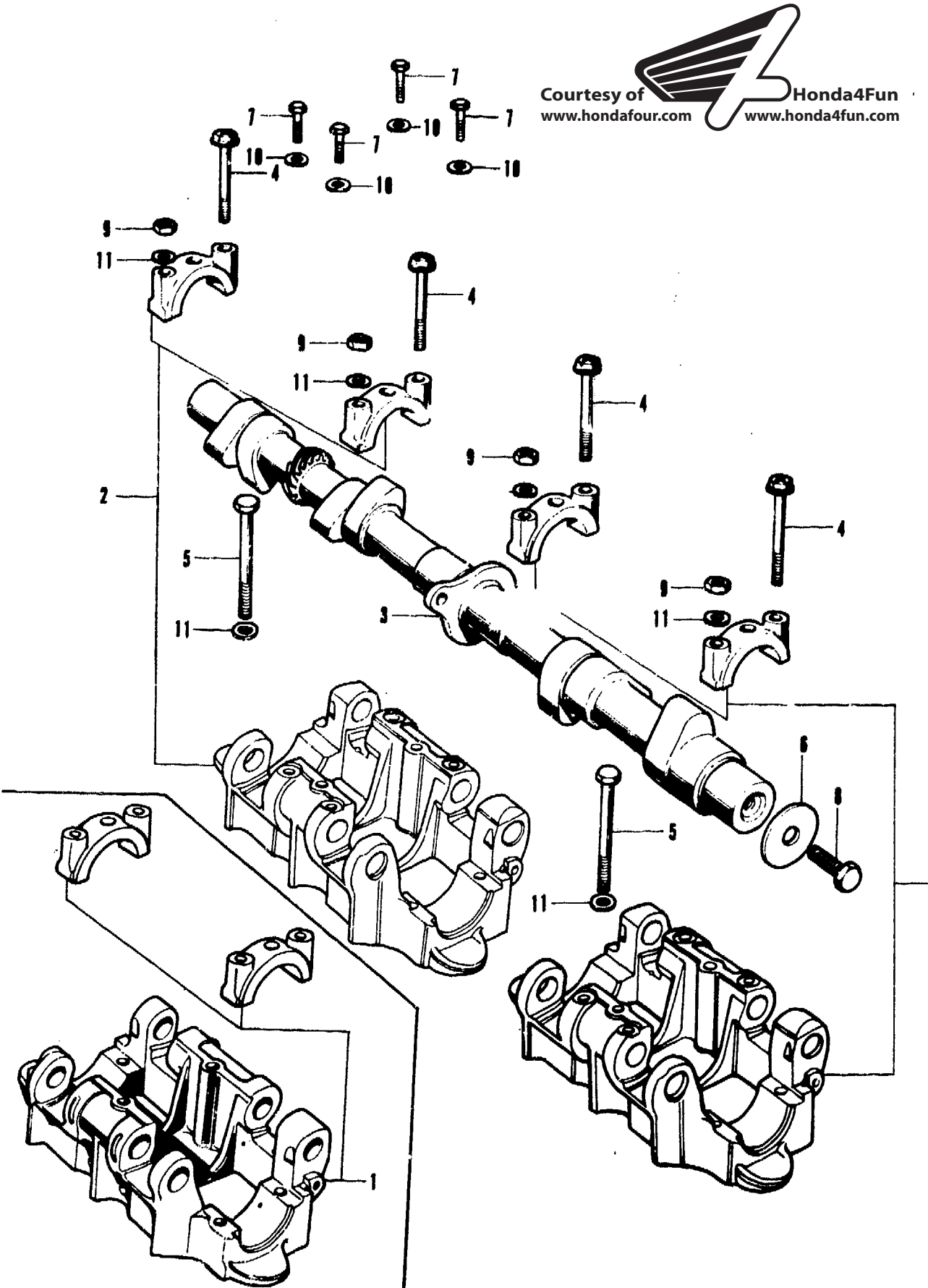


Ref. No.	Part No.	Description	Reqd. No.		Serial No.	Area code
			CB	750 K1 K2		
1	12209-300-000	SEAL, VALVE STEM 12209-300-003	8			
			4		1014996	1014995
				4		
				8	2200001	2200000
				8	2228680	2228679
2	14431-300-030	ARM A, VALVE ROCKER	4	4		
3	14432-300-030	ARM B, VALVE ROCKER	4	4		
4	14461-300-000	SHAFT, INLET ROCKER ARM	2			1010337
	14461-300-010	SHAFT, INLET ROCKER ARM 14461-300-020	2		1010338	
			2	2		2200000
			2	2	2200001	
5	14462-300-000	SHAFT, EXHAUST ROCKER ARM 14462-300-010	2	2		2200000
			2	2	2200001	
				2		2200000
6	14711-300-005	VALVE, INLET (MITSUBISHI)	4	4		
7	14721-300-005	VALVE, EXHAUST (MITSUBISHI)	4	4		
8	14751-300-000	SPRING, VALVE (INNER) 14751-300-003	8	8		2228679
				8	2228680	
9	14761-300-000	SPRING, VALVE (OUTER): 14761-300-003	8	8		2228679
				8	2228680	
10	14771-551-020	RETAINER, VALVE SPRING	8	8		
11	14775-300-000	SEAT, VALVE SPRING	8	8		
12	14781-551-000	COTTER, VALVE	16	16		
13	90012-300-000	SCREW, TAPPET ADJUSTING	8	8		
14	90205-300-000	NUT, TAPPET ADJUSTING	8	8		

Courtesy of  Honda4Fun
www.hondafour.com www.honda4fun.com

E-3 Camshaft • Holder

E-3 Camshaft • Holder



Courtesy of  Honda4Fun
www.hondafour.com www.honda4fun.com

Ref. No.	Part No.	Description	Reqd. No.		Serial No.	Area code
			CB	750 K1 K2		
1	12010-300-020	HOLDER SET, CAMSHAFT	2		1010337	
	12010-300-030	HOLDER SET, CAMSHAFT				
2	12010-300-040	HOLDER SET, CAMSHAFT	2	2	1010338	2200000
	12010-300-040	HOLDER SET, CAMSHAFT				
3	14101-300-020	CAMSHAFT	1	1	1	
4	90043-300-000	BOLT, SPECIAL, 5X56	4	4		1003565
	92000-06056	BOLT, HEX., 6X56				
	95700-06060	BOLT, FLANGE, 6X60				
	90054-300-000	BOLT, FLANGE, 6X58				
5	90051-300-000	BOLT, STUD, 6X36	4	4		1026143
	90052-300-000	BOLT, SHAFT STOPPER				
	90052-300-000	BOLT, SHAFT STOPPER				
6	90453-300-000	WASHER, THRUST, 8MM	1	1	1	
7	92000-05016-0A	BOLT, HEX., 5X16			8	2200001
8	92100-08020	BOLT, HEX., 8X20	1	1	1	
9	94002-06000	NUT, HEX., 6MM	4	4		1026143
	94001-06000	NUT, HEX., 6MM				
10	94101-05000	WASHER, PLAIN, 5MM			8	2200001
	94101-06000	WASHER, PLAIN, 6MM				
11	94101-06000	WASHER, PLAIN, 6MM	8	4	4	1026144
	94101-06000	WASHER, PLAIN, 6MM				

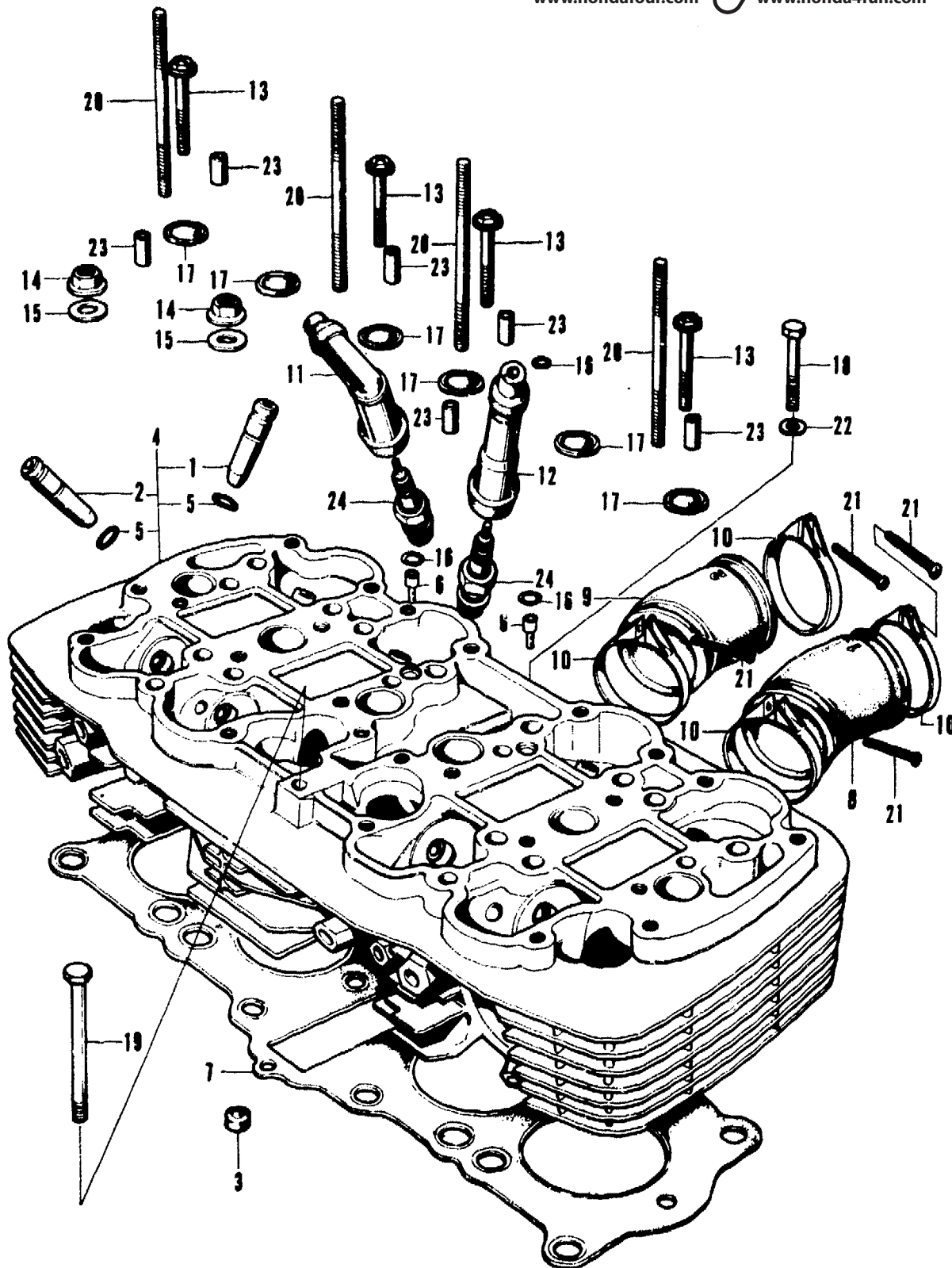
300-3B

Courtesy of  Honda4Fun
www.hondafour.com www.honda4fun.com

E-4 Cylinder head • Insulator

E-4 Cylinder head • Insulator

Courtesy of  Honda4Fun
www.hondafour.com www.honda4fun.com



300-4A
B300-4

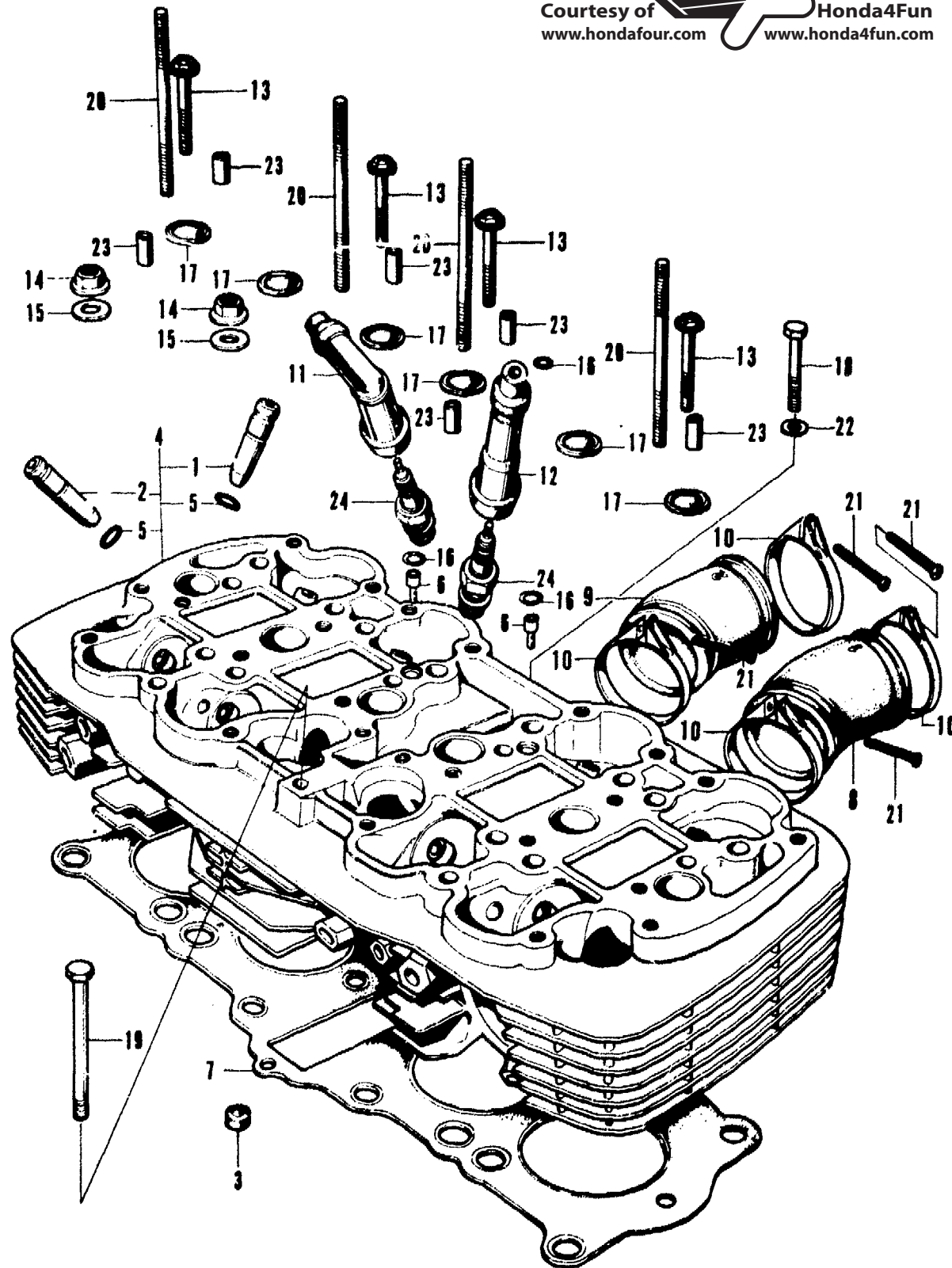
Ref. No.	Part No.	Description	Reqd. No.			Serial No.	Area code
			CB	K1	K2		
1	12025-300-300	GUIDE, INLET VALVE	4	4	4		
2	12027-300-300	GUIDE, EXHAUST VALVE	4			1014995	
	12027-300-310	GUIDE, EXHAUST VALVE	4			1014996	
	12027-300-320	GUIDE, EXHAUST VALVE 12027-300-330	4			2200001	2228679
	12027-300-330	GUIDE, EXHAUST VALVE			4	2228680	
3	12195-300-000	RUBBER, INSERT	12			1026144	1026143
			8			2228680	2228679
4	12200-300-040	HEAD COMP., CYLINDER 12200-300-060	1			1026143	
	12200-300-060	HEAD COMP., CYLINDER	1		1	1026144	
	12200-300-070	HEAD COMP., CYLINDER 12200-300-395	1				2200000
	12200-300-090	HEAD COMP., CYLINDER 12200-300-395	1		1	2200001	2228679
	12200-300-395	HEAD COMP., CYLINDER 12200-300-405	1			2200001	2228679
	12200-300-100	HEAD COMP., CYLINDER 12200-300-405	1			2228680	
	12200-300-405	HEAD COMP., CYLINDER			1	2228680	
5	12211-250-310	CLIP, VALVE GUIDE	8	8	8		
6	12238-300-300	ORIFICE, OIL CONTROL	2	2			2200000
	12238-300-010	ORIFICE, OIL CONTROL			2	2200001	
7	12251-300-020	GASKET, CYLINDER HEAD 12251-300-030	1			1026143	
	12251-300-030	GASKET, CYLINDER HEAD 12251-300-040	1			1026144	1114460
	12251-300-040	GASKET, CYLINDER HEAD 12251-300-050	1			1114461	2304500
	12251-300-050	GASKET, CYLINDER HEAD 12251-300-354	1		1	2304501	2352922
	12251-300-354	GASKET, CYLINDER HEAD	1			2304501	2352922
	12251-300-070	GASKET, CYLINDER HEAD	1			2352923	
8	16211-300-020	INSULATOR A, CARBURETOR 16211-300-305	2				
	16211-300-305	INSULATOR A, CARBURETOR	2				
	16211-300-030	INSULATOR A, CARBURETOR		2	2		
9	16212-300-020	INSULATOR B, CARBURETOR 16212-300-305	2				
	16212-300-305	INSULATOR B, CARBURETOR	2				
	16212-300-030	INSULATOR B, CARBURETOR		2	2		

Courtesy of  Honda4Fun
www.hondafour.com www.honda4fun.com



E-4 Cylinder head - Insulator

Courtesy of  Honda4Fun
www.hondafour.com www.honda4fun.com



300-4A
B300-4

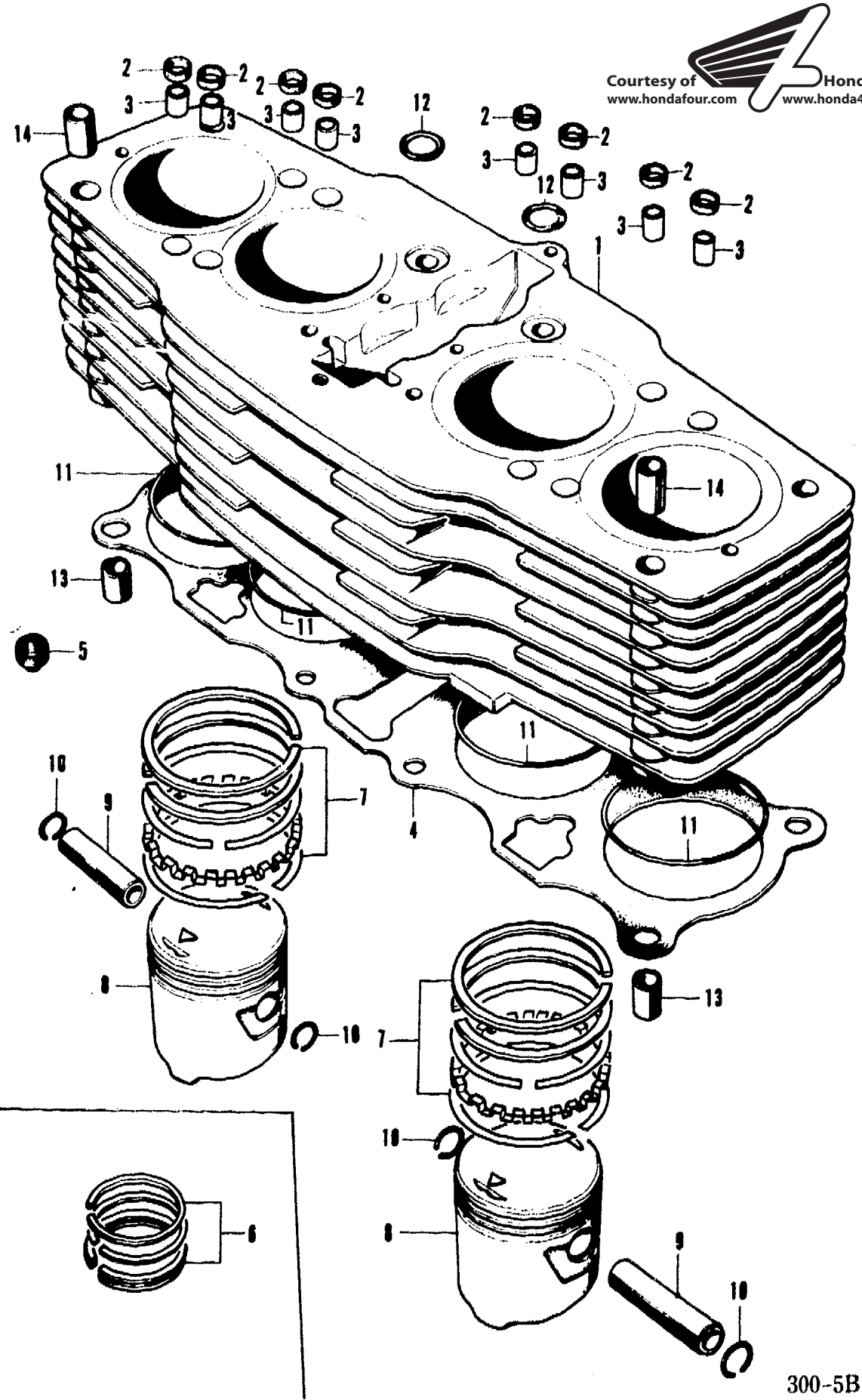
E-4 Cylinder head - Insulator

Ref. No.	Part No.	Description	Reqd. No.			Serial No.	Area code
			CB	K1	K2		
10	17255-300-000	BAND, CARBURETOR INSULATOR 17255-230-000	8				
	17255-300-010	BAND, CARBURETOR INSULATOR	8	8			
11	30700-300-000	CAP ASSY. A, NOISE SUPPRESSER 30700-300-010	2				A
	30700-300-620	CAP ASSY. A, NOISE SUPPRESSER 30700-341-620	2	2	2	2007104	E>ED,F>G,H>U E>ED,F>G
	30700-300-010	CAP ASSY. A, NOISE SUPPRESSER	2	2			A>D
	30700-341-620	CAP ASSY. A, NOISE SUPPRESSER	2			2007105	E>ED,F>G
12	30710-300-000	CAP ASSY. B, NOISE SUPPRESSER 30710-300-010	2				A
	30710-300-620	CAP ASSY. B, NOISE SUPPRESSER 30710-341-620	2	2	2	2007104	E>ED,F>G,H>U E>ED,F>G
	30710-300-010	CAP ASSY. B, NOISE SUPPRESSER	2	2			A>D
	30710-341-620	CAP ASSY. B, NOISE SUPPRESSER	2			2007105	E>ED,F>G
13	90049-300-000	BOLT, SPECIAL, 6X36	4	4	4		
14	90236-300-000	NUT, 8MM	16	16	16		
15	90485-035-000	WASHER, 14MM	16	16	16		
16	91317-300-003	O-RING, 3.7X1.7	2			1000564	1000563
			4				2200000
	91305-323-000	O-RING, 5.8X1.9		4	4	2200001	
17	91318-300-013	RUBBER, SEALING	6	6	6		
18	92000-06036	BOLT, HEX., 6X36	1				1064902
	95700-06036	BOLT, FLANGE 6X36	1		1	1064903	
19	92000-06090	BOLT, HEX., 6X90	1		1	1026144	1064902
	95700-06090	BOLT, FLANGE, 6X90	1		1	1064903	
20	92700-06056	BOLT, STUD, 6X56	4	4	4		2200000
	90055-300-000	BOLT, STUD, 6X58		4	4	2200001	
21	93500-04022-0A	SCREW, PAN, 4X22	8	8	8		
22	94101-06000	WASHER, PLAIN, 6MM	1	1			1064902
23	94301-08140	PIN A, DONEL, 8X14	6	6	6		
24	98069-58711	PLUG, SPARK (D-8ES NGK)	4	4	4		
	98069-58721	PLUG, SPARK (X-24ES MD)	4	4	4		

Courtesy of  Honda4Fun
www.hondafour.com www.honda4fun.com

E-5 Cylinder • Piston

E-5 Cylinder • Piston



Courtesy of Honda4Fun
www.hondafour.com www.honda4fun.com

Ref. No.	Part No.	Description	Reqd. No.		Serial No.	Area code
			CB	750 K1 K2		
1	12100-300-020	CYLINDER COMP. 12100-300-030	1		1026143	
	12100-300-030	CYLINDER COMP. 12100-300-040	1	1	1026144	
	12100-300-040	CYLINDER COMP.	1	1	2304501	2352922
	12100-300-050	CYLINDER COMP.	1		2352923	
2	12115-300-000	PACKING, CYLINDER STUD BOLT	8		2352923	
3	12116-300-000	PIN, SPECIAL KNOCK, 12MM	8		2352923	
4	12191-300-020	GASKET, CYLINDER 12191-300-030	1	1		2304500
	12191-300-030	GASKET, CYLINDER		1	2304501	
5	12195-300-000	RUBBER, INSERT	22	21	1026144	1026143
			21	20	2200001	2200000
6	13011-300-013	RING SET, PISTON (STD. NIPPON)	4	4		2200000
	13011-300-014	RING SET, PISTON (STD. RIKEN) 13011-300-024	4	4		2200000
	13021-300-013	RING SET, PISTON (0.25 NIPPON)	(4)	(4)		2200000
	13021-300-014	RING SET, PISTON (0.25 RIKEN) 13021-300-024	(4)	(4)		2200000
	13031-300-013	RING SET, PISTON (0.50 NIPPON)	(4)	(4)		2200000
	13031-300-014	RING SET, PISTON (0.50 RIKEN) 13031-300-024	(4)	(4)		2200000
	13041-300-013	RING SET, PISTON (0.75 NIPPON)	(4)	(4)		2200000
	13041-300-014	RING SET, PISTON (0.75 RIKEN) 13041-300-024	(4)	(4)		2200000
	13051-300-013	RING SET, PISTON (1.00) (NIPPON PISTON RING)	(4)	(4)		2200000
	13051-300-014	RING SET, PISTON (1.00 RIKEN) 13051-300-024	(4)	(4)		2200000
7	13011-300-024	RING SET, PISTON (STD. RIKEN)	4		2200001	
	13021-300-024	RING SET, PISTON (0.25 RIKEN)	(4)		2200001	
	13031-300-024	RING SET, PISTON (0.50 RIKEN)	(4)		2200001	
	13041-300-024	RING SET, PISTON (0.75 RIKEN)	(4)		2200001	
	13051-300-024	RING SET, PISTON (1.00 RIKEN)	(4)		2200001	

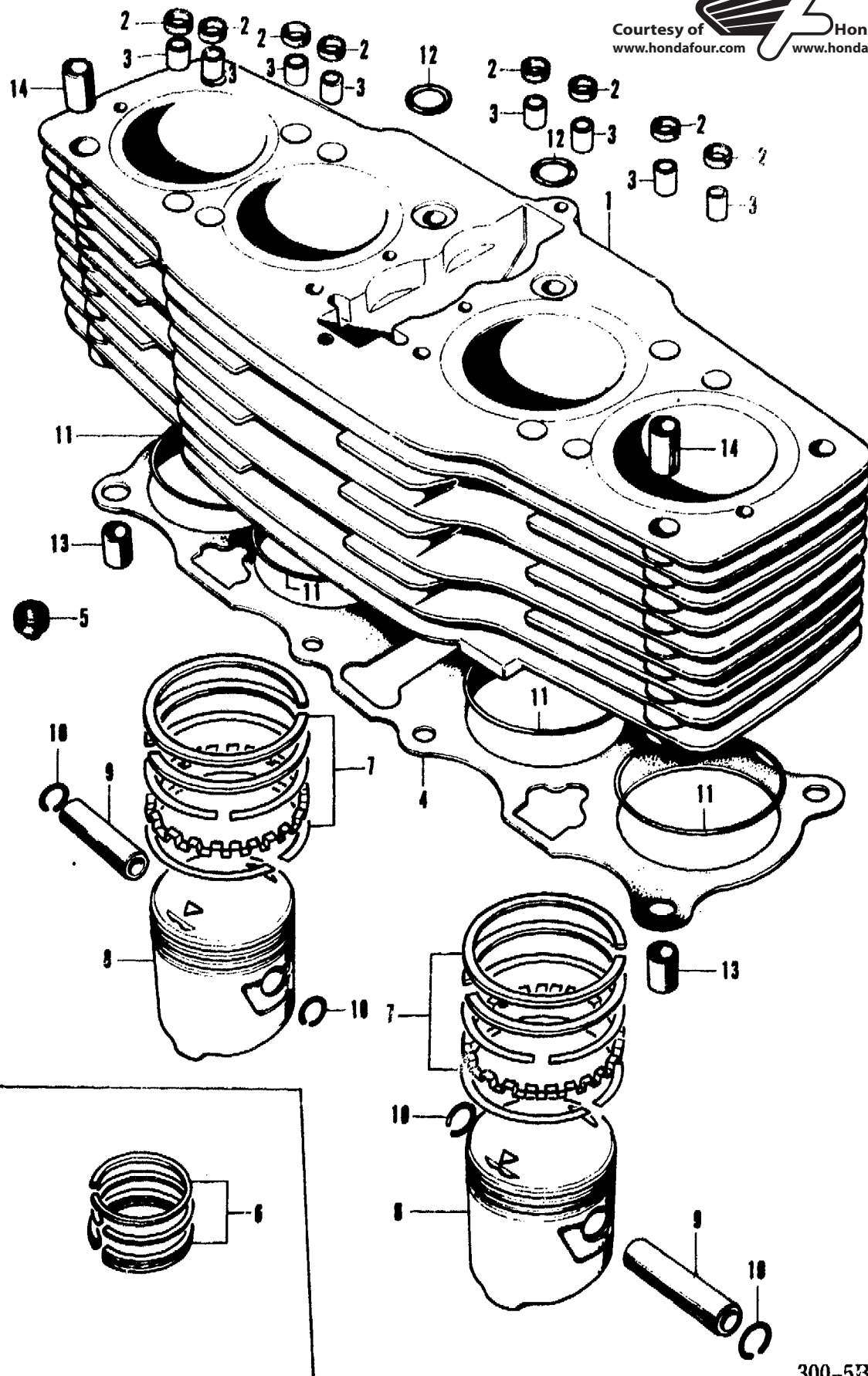
300-5B

Courtesy of Honda4Fun
www.hondafour.com www.honda4fun.com



E-5 Cylinder • Piston

E-5 Cylinder • Piston



Courtesy of Honda4Fun
www.hondafour.com www.honda4fun.com

Ref. No.	Part No.	Description	Reqd. No.			Serial No.	Area code
			CB	K1	K2		
8	13101-300-020	PISTON (STD.) 13101-300-030	4	4	4	2200000	
	13102-300-020	PISTON (0.25) 13102-300-030	(4)	(4)	(4)	2200000	
	13103-300-020	PISTON (0.50) 13103-300-030	(4)	(4)	(4)	2200000	
	13104-300-020	PISTON (0.75) 13104-300-030	(4)	(4)	(4)	2200000	
	13105-300-020	PISTON (1.00) 13105-300-030	(4)	(4)	(4)	2200000	
	13101-300-030	PISTON (STD.)			4	2200001	
	13102-300-030	PISTON (0.25)			(4)	2200001	
	13103-300-030	PISTON (0.50)			(4)	2200001	
	13104-300-030	PISTON (0.75)			(4)	2200001	
	13105-300-030	PISTON (1.00)			(4)	2200001	
9	13111-300-000	PIN, PISTON	4	4	4		
10	13115-250-010	CLIP, PISTON PIN	8	8	8	2200000	
	94601-15000	CLIP, PISTON PIN, 15MM			8	2200001	
11	91304-286-000	O-RING, 61.8X2.0	4	4	4		
12	91309-035-000	O-RING, 11X2.5	2	2	2	2304500	
	91310-300-000	O-RING, 11X2.5			2	2304501	
13	94301-12150	PIN, KNOCK 12X15	2	2	2		
14	94301-12220	PIN, KNOCK 12X22	2	2	2		

300-5B

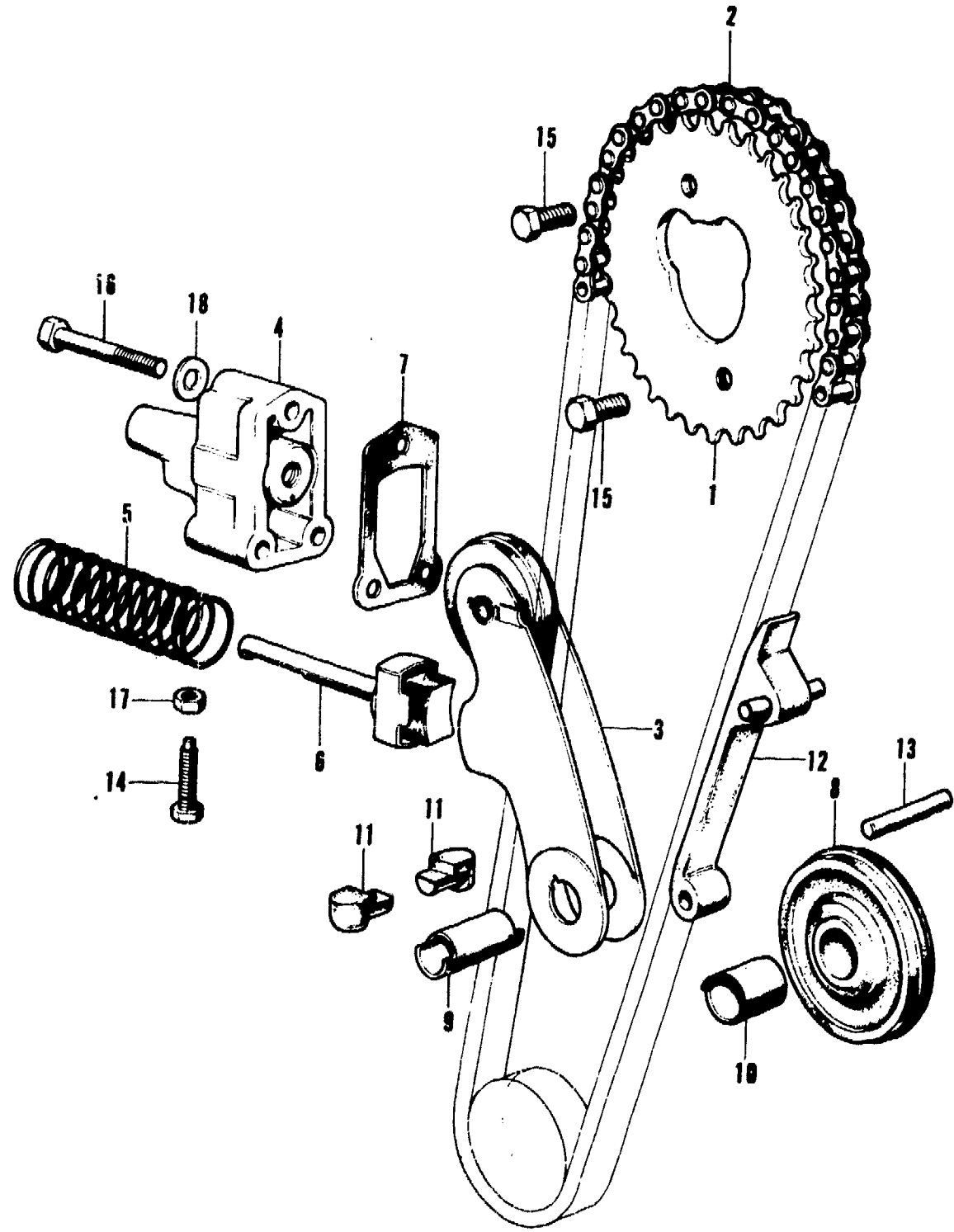
Courtesy of Honda4Fun
www.hondafour.com www.honda4fun.com



E-6 Cam chain • Tensioner

E-6 Cam chain • Tensioner

Courtesy of  Honda4Fun
 www.hondafour.com www.honda4fun.com



Ref. No.	Part No.	Description	Reqd. No.			Serial No.	Area code
			CB	K1	K2		
1	14321-300-010	SPROCKET, CAM 14321-392-000	1	1	1		
2	14401-286-003	CHAIN, CAM (DK2191-941) (ENDLESS DAIDO)	1	1	1		
3	14500-300-000	TENSIONER COMP., CAM CHAIN	1	1	1		
4	14530-300-010	HOLDER COMP., CAM CHAIN TENSIONER	1	1	1		
5	14541-300-000	SPRING, CAM CHAIN TENSIONER	1	1	1		
6	14550-300-020	BAR COMP., CAM CHAIN TENSIONER PUSH	1				
	14550-300-030	BAR COMP., CAM CHAIN TENSIONER PUSH	1	1			
7	14592-300-000	GASKEY, CAM CHAIN TENSIONER HOLDER	1	1	1		
8	14601-312-000	ROLLER, CAM CHAIN GUIDE	1	1	1		
9	14605-286-020	PIN, CAM CHAIN ROLLER	1	1	1		
10	14606-286-000	COLLAR, CAM CHAIN ROLLER	1	1	1		
11	14607-300-000	RUBBER, CAM CHAIN ROLLER PIN	2	2	2		
12	14611-312-000	GUIDE, CAM CHAIN	1	1	1		2200000
	14611-300-000	GUIDE, CAM CHAIN	1			2200001	
13	14612-286-000	PIN, CAM CHAIN GUIDE	1	1	1		
14	90009-300-000	BOLT, TENSIONER ADJUSTING 90009-300-010	1				
	90009-300-010	BOLT, TENSIONER ADJUSTING	1	1			
15	90081-246-000	BOLT, HEX., KNOCK, 7X12	2	2	2		
16	92000-06036	BOLT, HEX., 6X36	3				1064902
	95700-06040	BOLT, FLANGE, 6X40	3			1064903	
17	94002-06000	NUT, HEX., 6MM	1	1	1		
18	94101-06000	WASHER, PLAIN, 6MM	3	3			1064902

B300-6

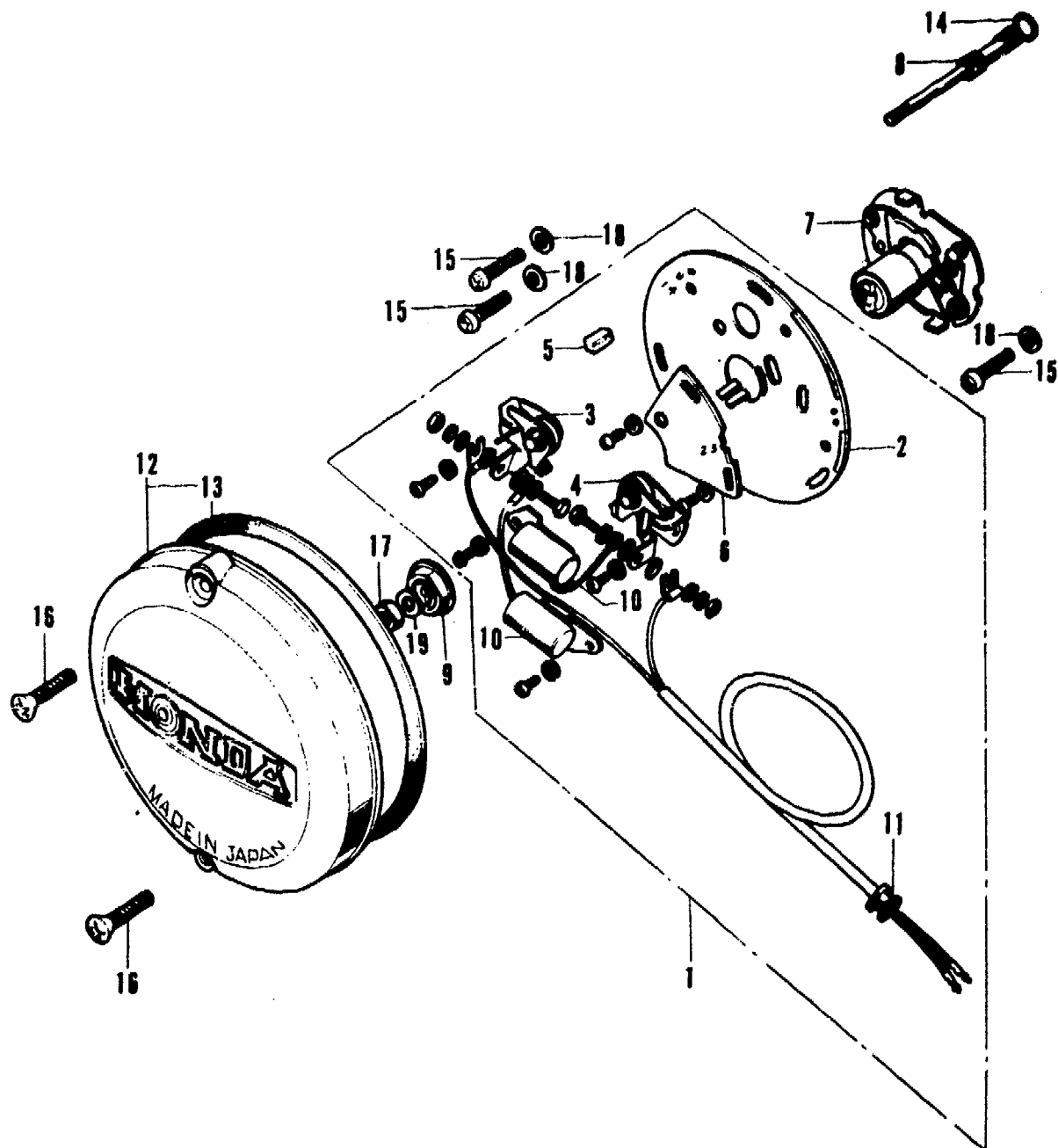
Courtesy of  Honda4Fun
 www.hondafour.com www.honda4fun.com

C 10

E-7 Contact breaker · Spark advancer

E-7 Contact breaker · Spark advancer

Courtesy of  Honda4Fun
www.hondafour.com www.honda4fun.com



Ref. No.	Part No.	Description	Reqd. No.		Serial No.	Area code
			CB	750 K1 K2		
1	30200-300-005	BREAKER ASSY., CONTACT 30200-300-015	1		1024073	
	30200-300-015	BREAKER ASSY., CONTACT	1	1 1	1024074	
	30200-300-154	BREAKER ASSY., CONTACT	1	1 1		
2	30201-300-005	PLATE, CONTACT BREAKER BASE (HITACHI)	1	1	1024073	
	30201-300-015	PLATE, CONTACT BREAKER BASE (HITACHI)	1	1	1024074	
	30201-300-154	PLATE, CONTACT BREAKER BASE (TOYO)	1	1 1		
3	30203-300-005	BREAKER, 144 CYLINDER CONTACT (HITACHI)	1	1 1		
	30203-300-154	BREAKER, 144 CYLINDER CONTACT (TOYO)	1	1 1		
4	30204-300-005	BREAKER, 243 CYLINDER CONTACT (HITACHI)	1	1 1		
	30204-300-154	BREAKER, 243 CYLINDER CONTACT (TOYO)	1	1 1		
5	30205-003-005	FELT, OIL (HITACHI)	1	1 1		
	30205-300-154	FELT, OIL (TOYO)	1	1 1		
6	30215-300-005	PLATE, BREAKER SHIFT	1	1 1		
	30215-300-154	PLATE, BREAKER SHIFT (TOYO)	1	1 1		
7	30220-300-005	ADVANCER ASSY., SPARK	1	1 1		
	30220-300-154	ADVANCER ASSY., SPARK	1	1 1		
8	30231-300-010	SHAFT, SPARK ADVANCER	1	1 1		
9	30233-300-000	WASHER, SPECIAL	1	1 1		
10	30250-300-005	CONDENSER COMP. (HITACHI)	2	2 2		
	30250-300-154	CONDENSER COMP. (TOYO)	2	2 2		
11	30254-300-300	GROMMET, PRIMARY CORD	1	1 1		
12	30370-300-020	COVER COMP., POINT	1	1 1		
13	30372-300-300	GASKET, POINT COVER	1	1 1		
14	91301-300-000	O-RING, 6X2.3	1	1 1		
15	93500-05012-0A	SCREW, PAN, 5X12	3	3 3		
16	93700-06032-02	SCREW, OVAL, 6X32	2	2 2		
17	94002-06000	NUT, HEX., 6MM	1	1 1		
18	94101-05000	WASHER, PLAIN, 5MM	3	3 3		
19	94101-06000	WASHER, PLAIN, 6MM	1	1 1		

B300-7

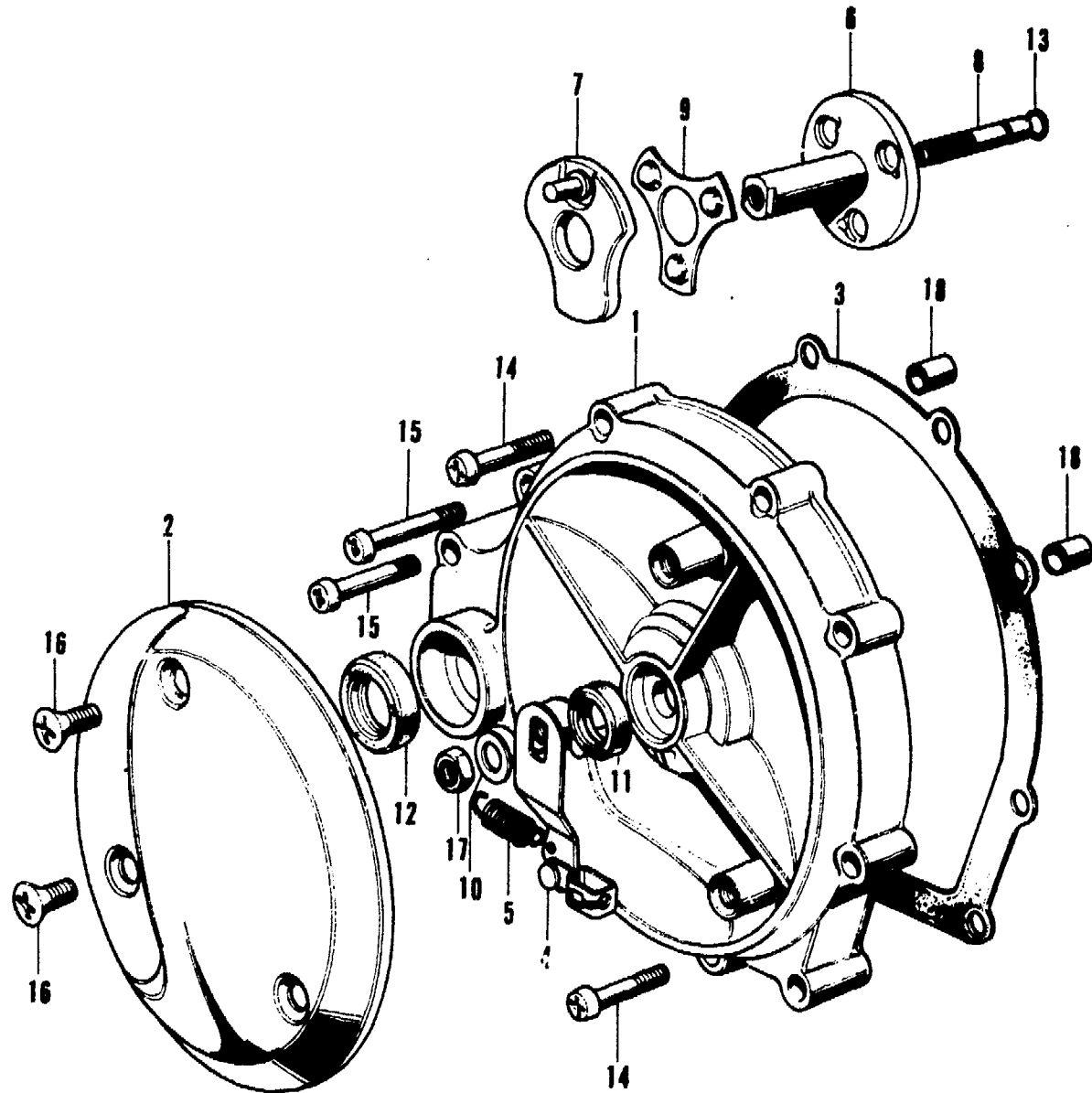
Courtesy of  Honda4Fun
www.hondafour.com www.honda4fun.com

C 11

E-8 Clutch cover

E-8 Clutch cover

Courtesy of  Honda4Fun
www.hondafour.com www.honda4fun.com



Ref. No.	Part No.	Description	Reqd. No.			Serial No.	Area code
			CB	K1	K2		
1	11342-300-040	COVER COMP., LEFT CRANKCASE	1			1007414	
	11342-300-050	COVER COMP., CLUTCH	1	1	1	1007415	
2	11348-300-010	COVER, CLUTCH ADJUSTING	1	1	1		
3	11396-300-040	GASKET, CLUTCH COVER	1			1007414	
	11396-300-050	GASKET, CLUTCH COVER 11396-300-303	1			1007415	1031370
	11396-300-303	GASKET, CLUTCH COVER	1	1	1	1031371	
4	22810-300-000	LEVER COMP., CLUTCH	1	1	1		
5	22815-300-000	SPRING, CLUTCH LEVER	1	1	1		
6	22820-300-000	SHAFT, CLUTCH RELIESE	1	1	1		
7	22830-300-000	CAM COMP., CLUTCH LIFTER	1	1	1		
8	22841-300-000	BOLT, CLUTCH ADJUSTING	1	1	1		
9	22860-300-006	RETAINER COMP., CLUTCH BALL	1	1	1		
10	90402-822-000	WASHER, HEAD, 8MM	1	1	1		
11	91202-216-000	OIL SEAL, SB TYPE, 14X24X5	1	1	1		
12	91204-286-003	OIL SEAL, 18X29X7	1	1	1		
13	91301-283-000	O-RING, 5X2.4	1	1	1		
14	93500-06028	SCREW, PAN, 6X28	7	7	7		
15	93500-06036	SCREW, PAN, 6X36	3	3	3		
16	93700-06016-02	SCREW, OVAL, 6X16	3	3	3		
17	94002-08000-05	NUT, HEX., 8MM	1	1	1		
18	94301-08140	PIN A, DOWEL, 8X14	2	2	2		

B300-8

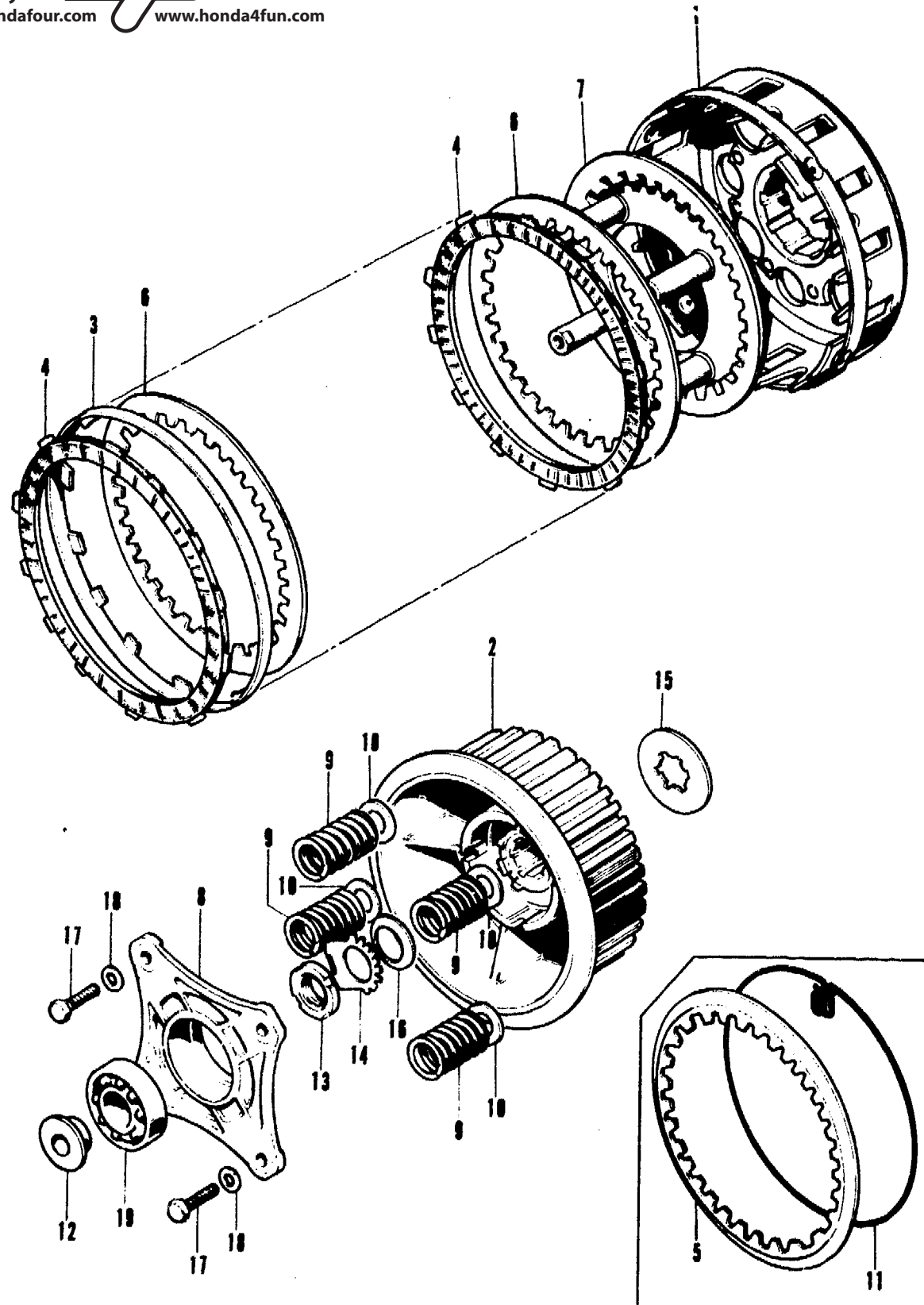
Courtesy of  Honda4Fun
www.hondafour.com www.honda4fun.com

C 12

E-9 Clutch

E-9 Clutch

Courtesy of  Honda4Fun
www.hondafour.com www.honda4fun.com

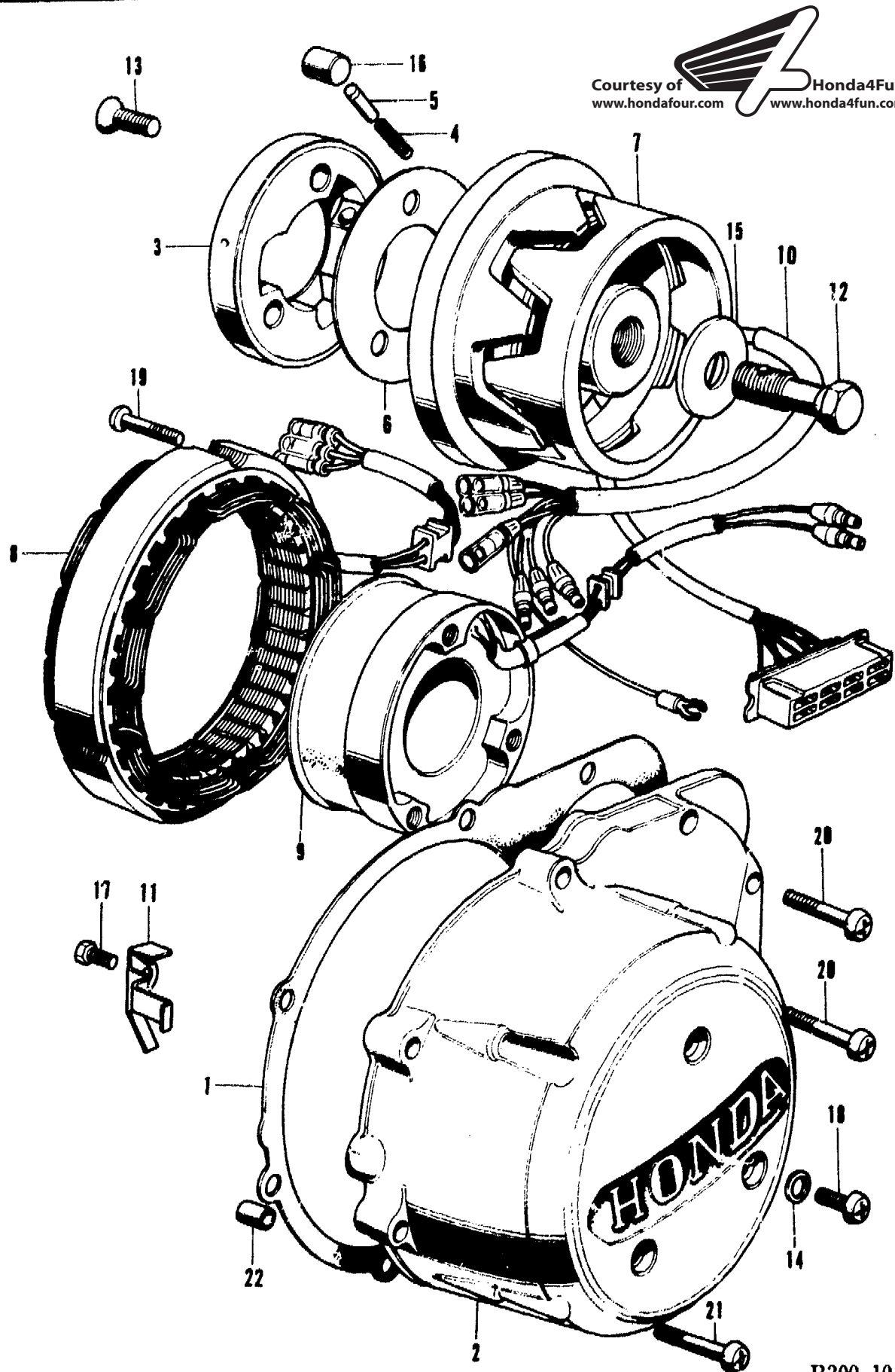


B300-9

Ref. No.	Part No.	Description	Reqd. No.		Serial No.	Area code
			CB	750 K1 K2		
1	22100-300-010	OUTER COMP., CLUTCH	1	1	1056079	
	22100-300-120	OUTER COMP., CLUTCH	1	1	1056080	
2	22120-300-010	CENTER, CLUTCH	1		1001759	
	22120-300-020	CENTER, CLUTCH	1		1001760	
	22120-300-040	CENTER, CLUTCH	1	1		
3	22151-300-000	RING, CLUTCH OUTER	1	1	1056079	
4	22201-283-000	DISK, CLUTCH FRICTION	6	6	1056079	
	22201-300-000	DISK, CLUTCH FRICTION	7	7	1056080	
5	22311-292-000	PLATE A, CLUTCH	1		1001759	
6	22321-283-000	PLATE B, CLUTCH	6	6		
7	22350-300-010	PLATE, CLUTCH PRESSURE	1	1		
	22350-300-030	PLATE, CLUTCH PRESSURE		1		
8	22360-300-010	PLATE, CLUTCH LIFTER	1	1		
9	22401-300-000	SPRING, CLUTCH			1042805	
	22041-300-000	SPRING SET, CLUTCH	1		1042805	
	22401-268-000	SPRING, CLUTCH	4	4	1042806	
	95014-75140	SPRING 14, CLUTCH		4		
10	22402-300-303	SEAT, CLUTCH SPRING	4		1003098	1005451
11	22431-300-000	RING, CLUTCH PLATE STOPPER	1		1001759	
12	22846-300-000	PIECE, CLUTCH LIFTER	1	1		
13	90231-200-010	NUT, LOCK, 16MM	1	1		
14	90431-292-000	WASHER, LOCK, 16MM	1	1		
15	90432-300-303	WASHER, SPLINE, 25MM	1			
	90432-300-000	WASHER, SPLINE, 25MM	1	1		
16	90481-292-000	WASHER, OIL FILTER ROTOR LOCK	1	1		
17	92000-06022	BOLT, HEX., 6X22	4	4		1064902
	95700-06020	BOLT, FLANGE, 6X20	4	4	1064903	
18	94101-06000	WASHER, PLAIN, 6MM	4	4		1064902
19	96100-60030	BEARING, RADIAL BALL, 6003	1	1		

Courtesy of  Honda4Fun
www.hondafour.com www.honda4fun.com

E-10 A.C. Generator • Dynamo cover



Courtesy of Honda4Fun
www.hondafour.com www.honda4fun.com

B300-10

E-10 A.C. Generator • Dynamo cover

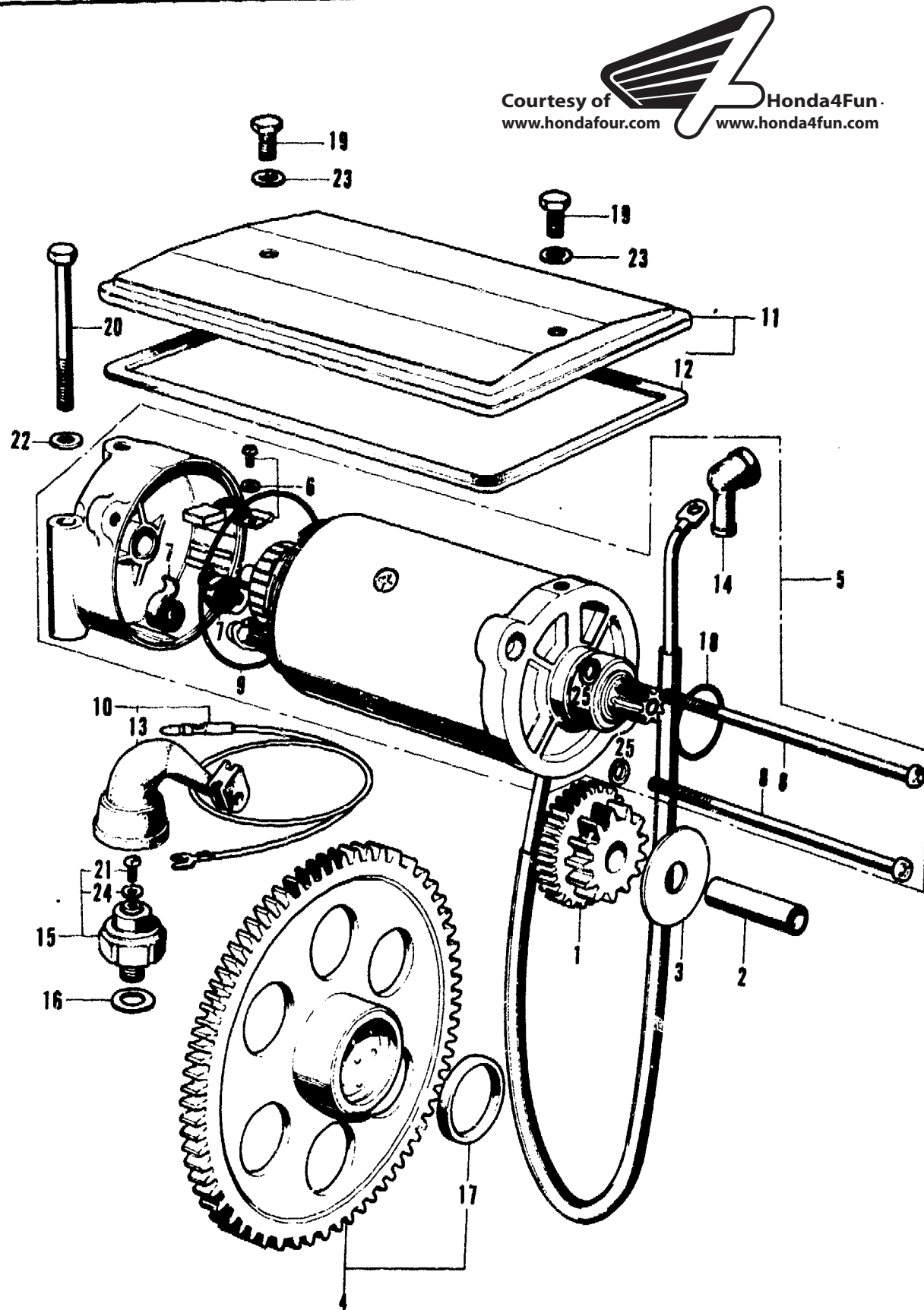
Ref. No.	Part No.	Description	Reqd. No. CB 750 K1 K2	Serial No.	Area code
1	11397-300-030	GASKET, DYNAMO COVER	1	1031370	
	11397-300-303	GASKET, DYNAMO COVER	1 1 1	1031371	
2	11631-300-040	COVER, DYNAMO	1 1 1		
3	28120-300-000	OUTER, STARTING CLUTCH	1 1 1		
4	28125-516-030	SPRING, STARTING CLUTCH ROLLER	3 3 3		
5	28126-516-020	CAP, STARTING CLUTCH ROLLER SPRING	3 3 3		
6	28128-516-000	PLATE, STARTING CLUTCH SIDE	1 1 1		
7	31101-300-035	ROTOR COMP. (HITACHI)	1 1 1		
8	31102-300-035	STATOR COMP. (HITACHI)	1 1 1		
9	31103-300-035	COIL COMP., FIELD (HITACHI)	1 1 1		
10	31110-300-000	HARNES, A.C. GENERATOR WIRE	1	1132192	
	31110-300-010	HARNES, A.C. GENERATOR WIRE	1	1132193	
	31110-300-154	HARNES, A.C. GENERATOR WIRE	1		
11	32116-300-010	PLATE, A.C. GENERATOR CORD SET	1 1 1		
12	90014-300-000	BOLT, ROTOR SET	1	1001080	
	90014-300-010	BOLT, ROTOR SET	1 1 1	1001081	
13	93600-08022	SCREW, FLAT, 8X22	3	1026143	
	90053-300-000	SCREW, FLAT, 8X22	3 3 3	1026144	
14	90425-300-000	WASHER, 11MM	3 3 3		
15	90428-300-000	WASHER, 10MM	1 1	1001080	
	90428-300-010	WASHER, 12MM	1 1 1	1001081	
16	91101-516-000	ROLLER, 15X13	3 3 3		
17	92000-06016	BOLT, HEX., 6X16	1 1 1		
18	93500-06020	SCREW, PAN, 6X20	3 3 3		
19	93500-06028	SCREW, PAN, 6X28	4 4 4		
20	93500-06032	SCREW, PAN, 6X32	7 7 7		
21	93500-06036	SCREW, PAN, 6X36	1 1 1		
22	94301-08140	PIN A, DOWEL, 8X14	1 1 1		

Courtesy of Honda4Fun
www.hondafour.com www.honda4fun.com

C 14

E-11 Starting motor

E-11 Starting motor



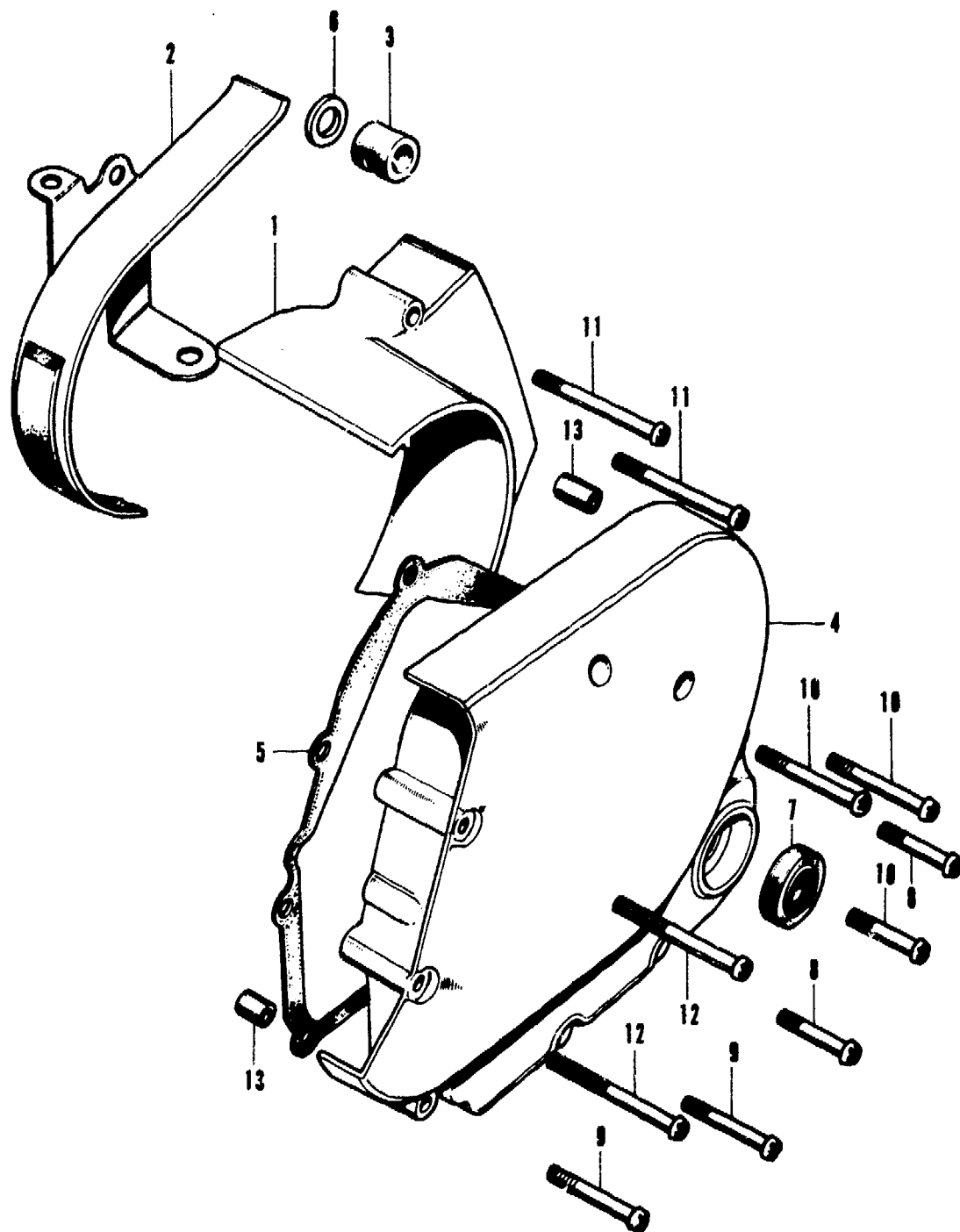
Ref. No.	Part No.	Description	Reqd. No.		Serial No.	Area code
			CR	K1 K2		
1	28101-300-000	GEAR, STARTING MOTOR REDUCTION	1	1		
2	28106-300-000	SHAFT, STARTER REDUCTION GEAR	1	1		
3	28109-300-000	PLATE, STARTING GEAR SETTING	1	1		
4	28110-300-000	GEAR COMP., STARTING CLUTCH	1	1		
5	31200-300-030	MOTOR ASSY., STARTING	1	1		
6	31201-292-158	BRUSH SET, CARBON (MITSUBA)	1	1		
7	31204-292-158	SPRING, CARBON BRUSH (MITSUBA)	2	2		
8	31205-286-158	BOLT, STARTER MOTOR COVER SETTING (MITSUBA)	2	2		
9	31206-286-158	O-RING (MITSUBA)	1	1		
10	31270-300-000	CORD ASSY., OIL PRESSURE SWITCH	1			
	31270-300-154	CORD ASSY., OIL PRESSURE SWITCH	1		1132192	
	31270-300-154	CORD ASSY., OIL PRESSURE SWITCH	1		1132193	
11	31280-300-000	COVER COMP., STARTING MOTOR	1	1		
12	31282-300-020	PACKING, STARTING MOTOR COVER	1	1		
13	31283-300-000	GROMMET, OIL PRESSURE SWITCH CORD	1	1		
14	32411-253-000	COVER, STARTING MOTOR TERMINAL	1	1		
15	35500-300-000	SWITCH ASSY., OIL PRESSURE	1	1		
16	90545-300-000	WASHER, OIL BOLT	1	1		
17	91215-300-003	OIL SEAL, 25X33X4	1	1		
18	91309-300-000	O-RING, 24.4X3.1	1	1		
19	92000-06008-02	BOLT, HEX., 6X8	2	2		2200000
	92000-06012-02	BOLT, HEX., 6X12	2		2200001	
20	92000-06056	BOLT, HEX., 6X56	2	2		1064902
	95700-06056	BOLT, FLANGE 6X56	2	2	1064903	
21	93500-04005-0A	SCREW, PAN, 4X5	1	1		
22	94101-06000	WASHER, PLAIN, 6MM	2	2		1064902
23	94101-06200	WASHER, PLAIN, 6MM	2		2200001	
24	94111-04000	WASHER, SPRING, 4MM	1	1		
25	94111-06000	WASHER, SPRING, 6MM	2	2		

B300-11

E-12 Mission cover - Rear cover

E-12 Mission cover - Rear cover

Courtesy of  Honda4Fun
www.hondafour.com www.honda4fun.com



Ref. No.	Part No.	Description	Reqd. No.			Serial No.	Area code
			CB	750	K1 K2		
1	11351-300-020	COVER, LEFT CRANKCASE REAR	1			1026143	
	11351-300-040	COVER, LEFT CRANKCASE REAR 11351-300-050	1			1026144	
	11351-300-050	COVER, LEFT CRANKCASE REAR	1	1		2200000	
	11351-300-060	COVER, LEFT CRANKCASE REAR	1	1		2200001	
2	11353-300-010	PROTECTOR, CASE	1	1		1026144	1048399
	11353-300-030	PROTECTOR, CASE	1	1		1048400	2200000
3	11354-300-000	RUBBER, FINAL CHAIN GUIDE 11354-300-010	1			1026144	
	11354-300-010	RUBBER, FINAL CHAIN GUIDE	1	1			
4	11360-300-030	COVER, CRANKCASE MISSION 11360-300-040	1				1007414
	11360-300-040	COVER, CRANKCASE MISSION	1	1		1007415	
	11367-300-050	COVER, CRANKCASE MISSION		1			2348092
5	11395-300-020	GASKET, MISSION COVER	1				1007414
	11395-300-030	GASKET, MISSION COVER 11395-300-303	1			1007415	1031370
	11395-300-303	GASKET, MISSION COVER 11395-300-040	1	1		1031371	
	11395-300-040	GASKET, MISSION COVER		1			
6	90545-044-000	WASHER, CRANK ARM	1	1			2200000
7	91206-286-013	OIL SEAL, 14X28X7	1	1	1		
8	93500-06032	SCREW, PAN, 6X32	2	2	2		
9	93500-06036	SCREW, PAN, 6X36	2	2	2		
10	93500-06040	SCREW, PAN, 6X40	3	3	3		
11	93500-06050	SCREW, PAN, 6X50	2	2	2		
12	93500-06056	SCREW, PAN, 6X56	2	2	2		
13	94301-08140	PIN A, DOMEL, 8X14	2	2	2		

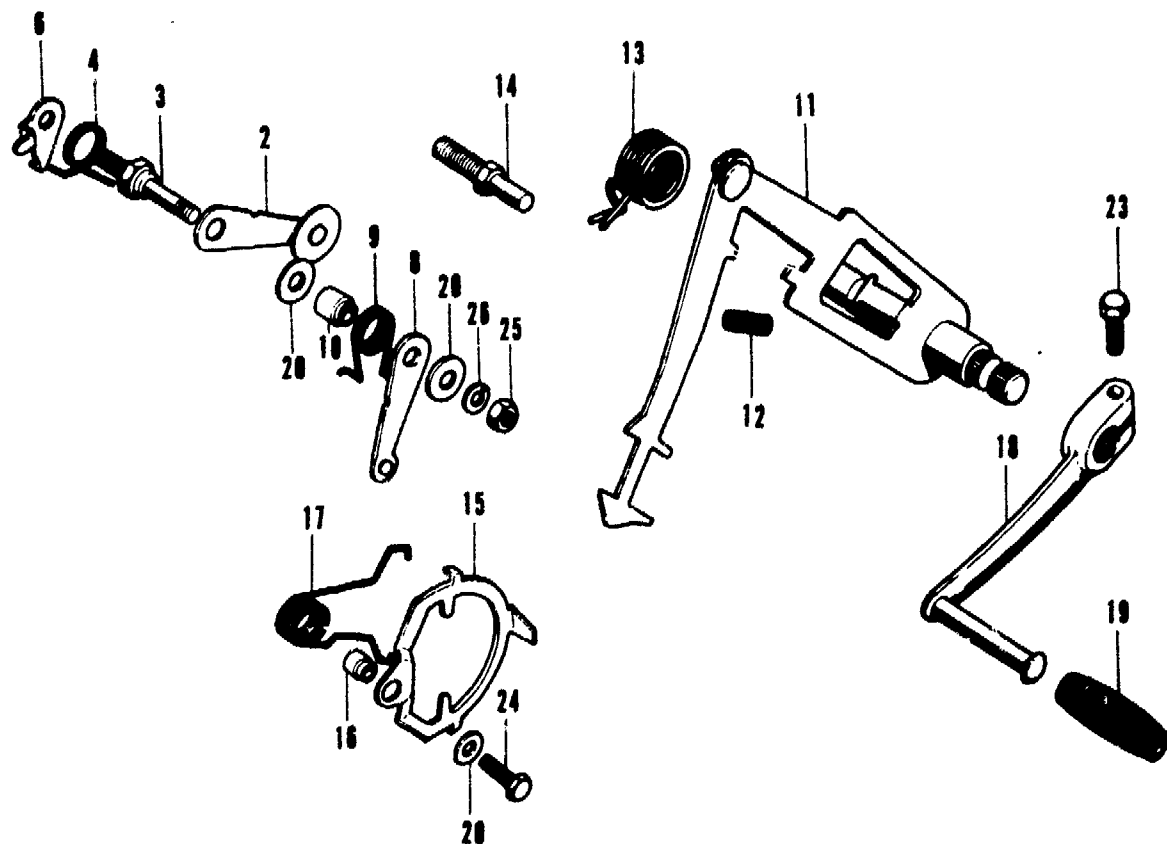
B300-12

Courtesy of  Honda4Fun
www.hondafour.com www.honda4fun.com

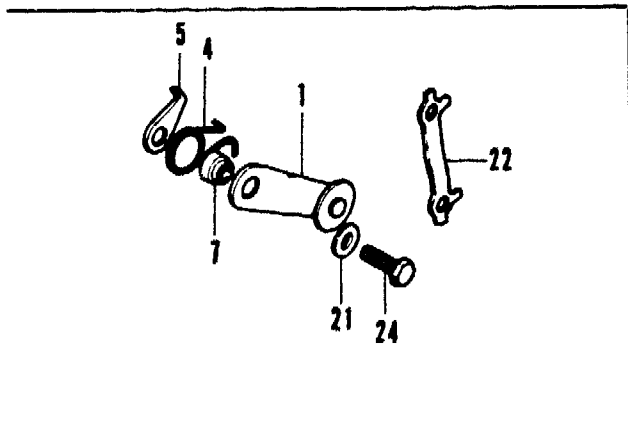
E-13 Gear shift • Drum stopper

E-13 Gear shift • Drum stopper

Courtesy of Honda4Fun
www.hondafour.com www.honda4fun.com



Ref. No.	Part No.	Description	Reqd. No.			Serial No.	Area code
			CB	750	K1 K2		
1	24430-300-020	STOPPER, SHIFT DRUM	1			1000424	
	24430-300-030	STOPPER, SHIFT DRUM	1			1000425	1026143
2	24430-300-040	STOPPER, SHIFT DRUM	1	1	1	1026144	
3	24434-300-000	SHAFT, SHIFT DRUM STOPPER	1			1026144	
		PIVOT	1	1			
4	24435-300-030	SPRING, SHIFT DRUM STOPPER	1	1	1		
5	24436-300-000	PLATE, SHIFT FORK SHAFT	1				1026143
		STOPPER	1				
6	24436-300-010	PLATE, SHIFT FORK SHAFT	1				1026144
		STOPPER	1	1			
7	24437-300-000	PIVOT, STOPPER ARM	1				1026143
8	24440-300-010	ARM COMP., NEUTRAL STOPPER	1	1		1026144	1044967
	24440-300-020	ARM COMP., NEUTRAL STOPPER	1	1		1044968	
9	24445-300-010	SPRING, NEUTRAL STOPPER	1	1		1026144	1044967
	24445-300-020	SPRING, NEUTRAL STOPPER	1	1		1044968	
10	24447-300-000	PIVOT, NEUTRAL STOPPER	1	1	1	1026144	
11	24610-300-010	SPINDLE COMP., GEAR SHIFT	1	1	1		
12	24641-300-000	SPRING, GEAR SHIFT ARM	1	1	1		
13	24651-300-020	SPRING, GEAR SHIFT RETURN	1	1	1		
14	24652-300-000	PIN, SHIFT RETURN SPRING	1	1	1		
15	24661-300-000	STOPPER, GEAR SHIFT POSITIVE	1	1	1		
16	24663-300-000	COLLAR, STOPPER ARM	1	1	1		
17	24666-300-000	SPRING, POSITIVE STOPPER	1	1	1		
18	24701-300-020	PEDAL, GEAR CHANGE	1	1	1		
19	24781-205-003	RUBBER, GEAR CHANGE PEDAL	1	1	1		
20	90417-001-000	WASHER, SHIFT DRUM SIDE	1				1026143
			3				1026144
				3	3		
21	90417-041-000	WASHER, SHIFT DRUM SIDE	1				1026143
22	90435-300-000	WASHER, TWIN 94111-06000	1				1026143
23	92000-06020	BOLT, HEX., 6X20	1	1	1		
24	92000-06025	BOLT, HEX., 6X25	2				1026143
			1				1026144
				1	1		
25	94001-06000	NUT, HEX., 6MM	1	1	1		1026144
26	94111-06000	WASHER, SPRING, 6MM	1	1	1		1026144

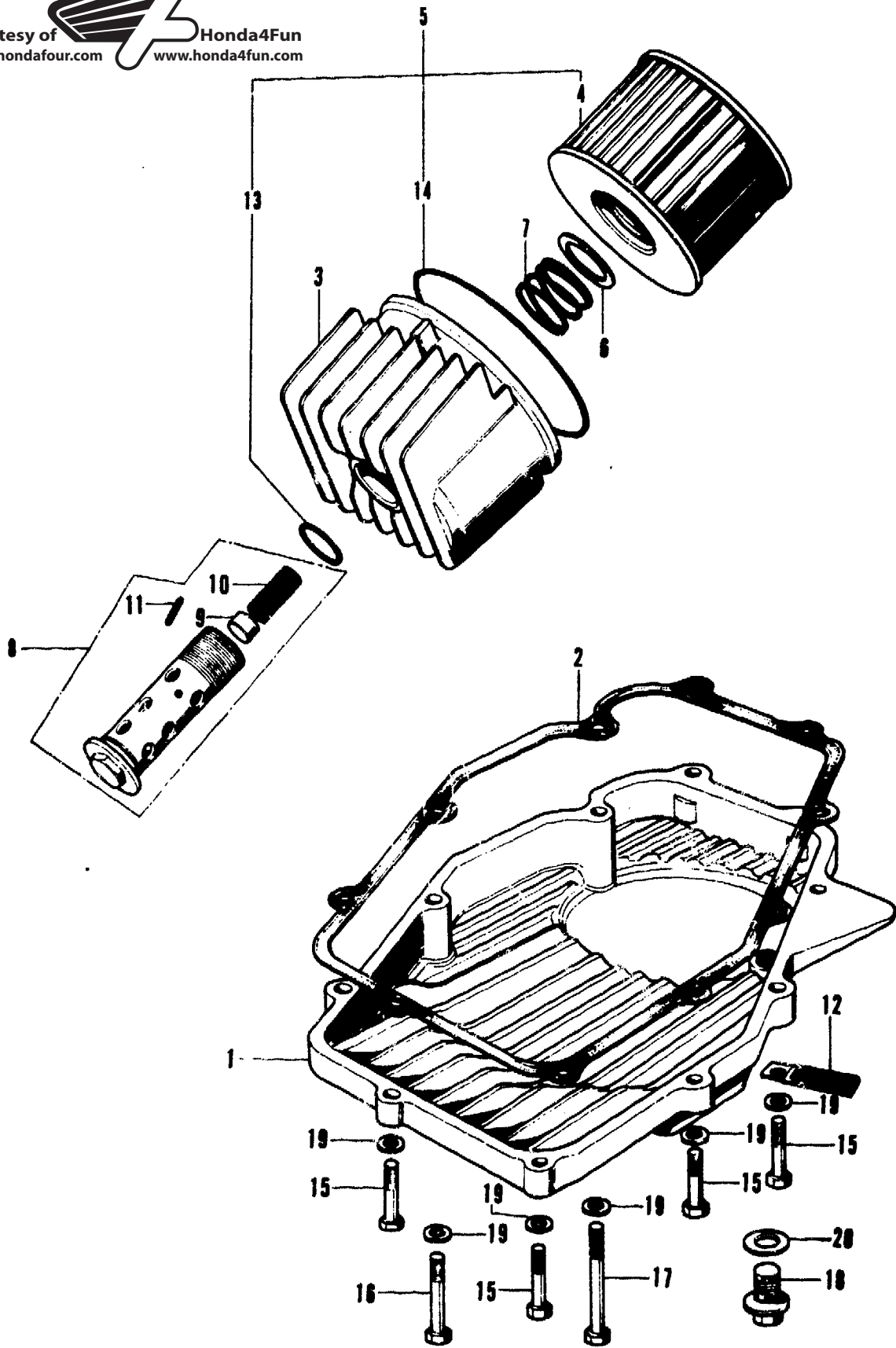


Courtesy of Honda4Fun
www.hondafour.com www.honda4fun.com

E-14 Oil filter • Oil pan

E-14 Oil filter • Oil pan

Courtesy of  Honda4Fun
www.hondafour.com www.honda4fun.com



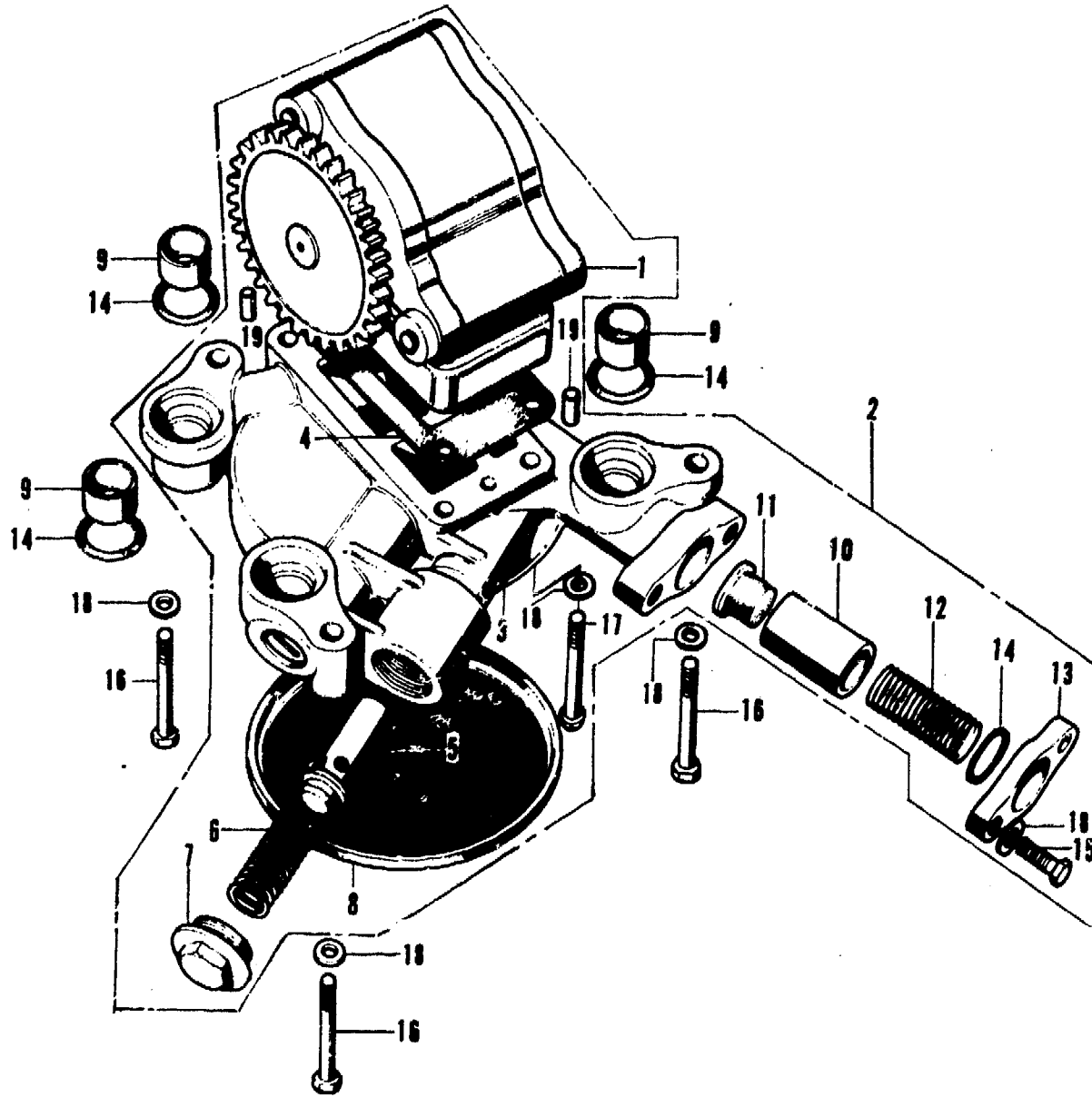
Ref. No.	Part No.	Description	Reqd. No.			Serial No.	Area code
			CB	K1	K2		
1	11210-300-040	PAN, OIL	1			1007414	
	11210-300-050	PAN, OIL	1	1	1	1007415	
2	11398-300-030	GASKET, OIL PAN	1			1007414	
	11398-300-040	GASKET, OIL PAN 11398-300-303	1			1007415	1031370
	11398-300-303	GASKET, OIL PAN	1	1	1	1031371	
3	15411-300-000	CASE, OIL FILTER 15411-300-010	1			1004148	
	15411-300-010	CASE, OIL FILTER	1	1	1	1004149	
4	15412-300-024	ELEMENT, OIL FILTER 15412-300-325	1	1	1		
		(TOKYO ROKI)					
5	15412-300-325	ELEMENT SET, OIL	1	1	1		
6	15414-300-000	SEAT, OIL FILTER SPRING	1	1	1		
7	15415-300-000	SPRING, OIL FILTER ELEMENT SET	1	1	1		
8	15420-300-010	BOLT COMP., OIL FILTER CENTER 15420-300-020	1			1004148	
	15420-300-020	BOLT COMP., OIL FILTER CENTER	1	1	1	1004149	
9	15473-300-300	VALVE, CHECK	1	1	1		
10	15474-300-310	SPRING, CHECK VALVE	1	1	1		
11	15477-300-300	PIN, SPRING SET	1	1	1		
12	32111-300-000	CLAMPER, CORD	1	1	1		
13	91304-028-000	O-RING, 15X2.5	1	1	1		
14	91316-300-003	O-RING, 89X4.5	1	1	1		
	91316-300-005	O-RING, 89X4.5	1	1	1		
15	92000-06028	BOLT, HEX., 6X28	8			1064902	
	95700-06028	BOLT, FLANGE, 6X28	8		8	1064903	
16	92000-06040	BOLT, HEX., 6X40	1			1064902	
	95700-06040	BOLT, FLANGE, 6X40	1		1	1064903	
17	92000-06050	BOLT, HEX., 6X50	1			1064902	
	95700-06050	BOLT, FLANGE, 6X50	1		1	1064903	
18	92800-12000	BOLT, DRAIN PLUG, 12MM	1	1	1		
19	94101-06000	WASHER, PLAIN, 6MM	10			1064902	
			10				
20	94109-12000	WASHER, DRAIN PLUG 12MM	1	1	1		

B300-14

Courtesy of  Honda4Fun
www.hondafour.com www.honda4fun.com

E-15 Oil pump

Courtesy of  Honda4Fun
www.hondafour.com www.honda4fun.com



B300-15

E-15 Oil pump

Ref. No.	Part No.	Description	Reqd. No.		Serial No.	Area code
			CB	750 K1 K2		
1	15010-300-000	BODY ASSY., OIL PUMP	1	1 1		
2	15100-300-000	PUMP ASSY., OIL	1	1 1		
3	15105-300-010	BASE COMP., OIL PUMP	1	1 1		
4	15135-300-010	GASKET, OIL PUMP	1	1 1		
5	15140-300-010	VALVE, RELIEF	1	1 1		
6	15145-300-000	SPRING, RELIEF VALVE	1	1 1		
7	15147-300-000	CAP, RELIEF SPRING	1	1 1		
8	15150-300-000	SCREEN, OIL STRAINER	1	1 1		
9	15155-300-000	COLLAR, O-RING	3	3 3		
10	15161-300-000	VALVE, OIL LEAK STOPPER	1	1 1		
11	15166-300-000	SEAL, OIL LEAK STOPPER	1	1 1		
12	15171-300-010	SPRING, OIL LEAK STOPPER	1	1 1		
13	15176-300-000	CAP, OIL LEAK STOPPER	1	1 1		
14	91304-028-000	O-RING, 15X2.5	4	4 4		
15	92000-06020	BOLT, HEX., 6X20	2	2 2		
16	92000-06032	BOLT, HEX., 6X32	3	3		1064902
	92700-06036	BOLT, FLANGE 6X36	3	3		1064903
17	93500-06032	SCREW, PAN, 6X32	4	4 4		
18	94101-06000	WASHER, PLAIN, 6MM	9	9		
			6	6		1064903
			6	6		1064902
19	94302-04080	PIN, KNOCK, 4XB	2	2 2		

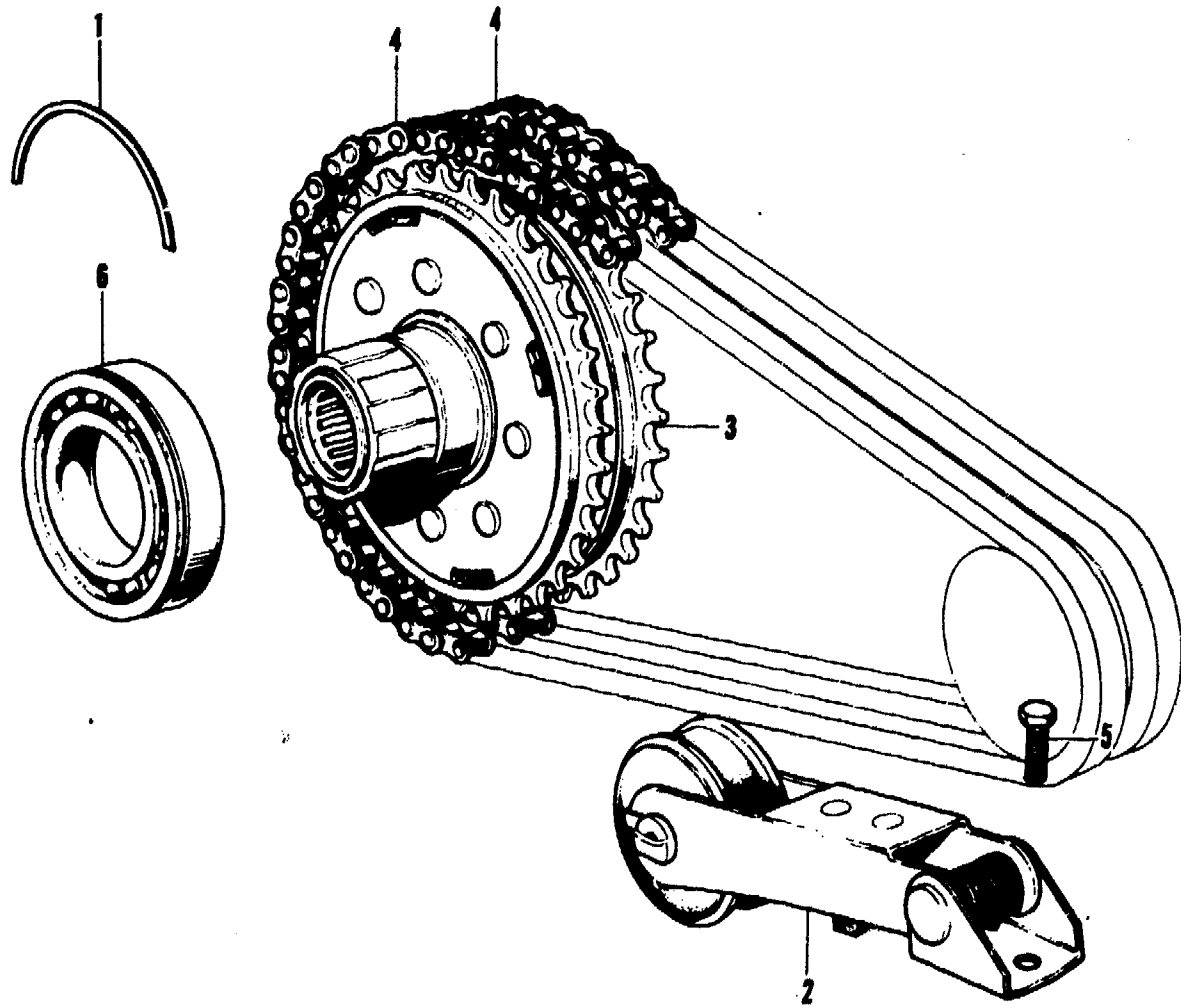
Courtesy of  Honda4Fun
www.hondafour.com www.honda4fun.com

E-16 Primary tensioner

E-16 Primary tensioner

Courtesy of  Honda4Fun
www.hondafour.com www.honda4fun.com

Ref. No.	Part No.	Description	Reqd. No.			Serial No.	Area code
			CB	K1	K2		
1	13496-300-000	RING W/ BALL BEARING SET	1	1	1	1005307	
2	13620-300-010	TENSIONER COMP., PRIMARY CHAIN	1	1	1		
3	23110-300-030	SPROCKET COMP., PRIMARY DRIVEN	1	1	1		
4	23131-300-015	CHAIN, PRIMARY (60L TAKASAGO)	2	2	2		
5	92000-06016	BOLT, HEX., 4X16	1	1	1		
6	96100-60080	BEARING, BALL, 6008	1				1005306
	91004-300-000	BEARING, SPECIAL BALL, 6008	1	1	1	1005307	

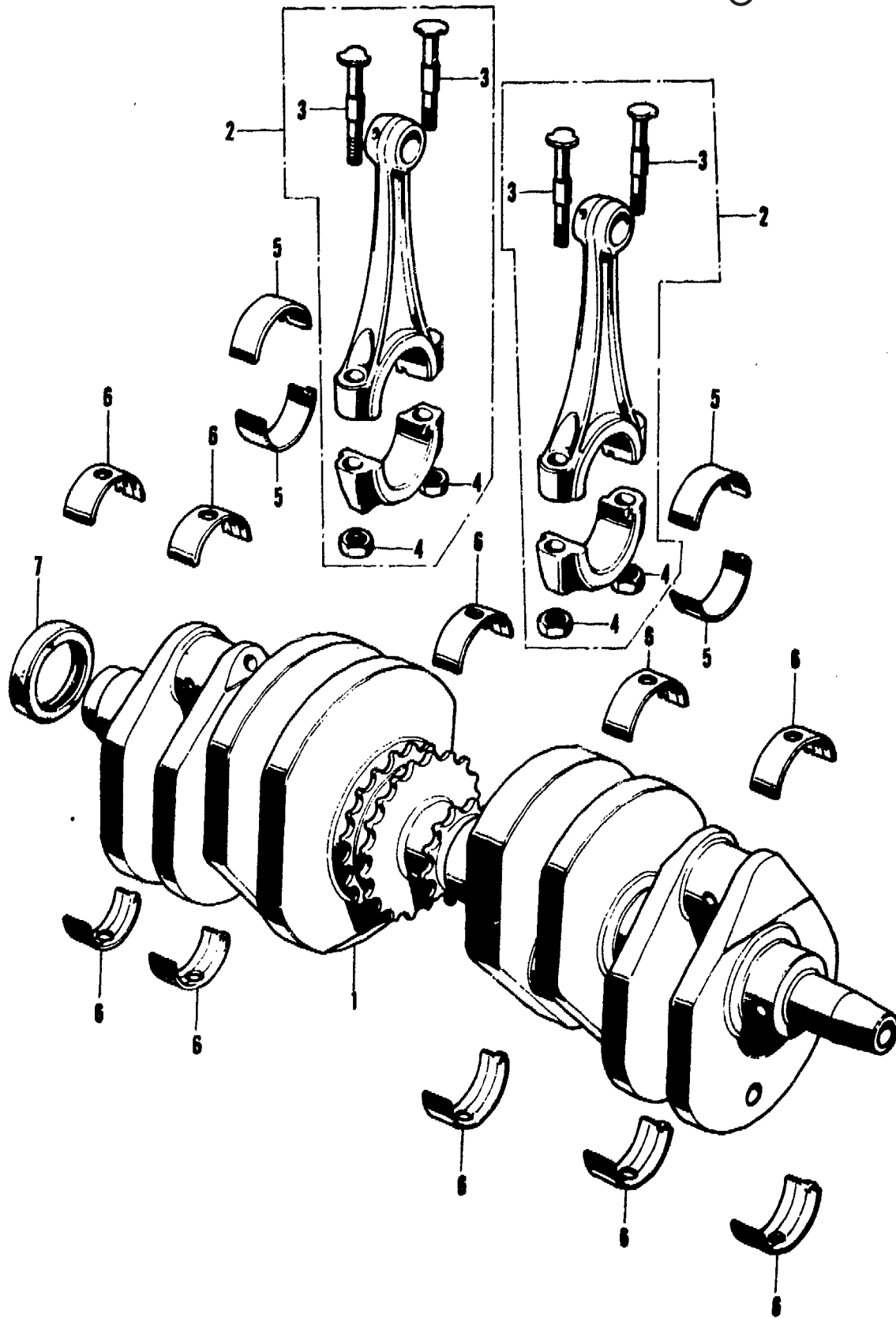


B300-16

Courtesy of  Honda4Fun
www.hondafour.com www.honda4fun.com

E-17 Crankshaft

Courtesy of  Honda4Fun
www.hondafour.com www.honda4fun.com



B300-17

E-17 Crankshaft

Ref. No.	Part No.	Description	Reqd. No. CB 750 K1 K2	Serial No.	Area code
1	13000-300-040	CRANKSHAFT ASSY. 13000-300-030	1	1001080	
	13000-300-050	CRANKSHAFT ASSY.	1	1001081	
2	13201-300-000	ROD COMP. A; CONNECTING	4 4 4		
	13202-300-000	ROD COMP. B; CONNECTING 13204-300-000	4 4 4		
	13203-300-000	ROD COMP. C; CONNECTING 13204-300-000	4 4 4		
	13204-300-000	ROD COMP. B; CONNECTING	4 4 4		
	13205-300-000	ROD COMP. E; CONNECTING 13206-300-000	4 4 4		
	13206-300-000	ROD COMP. F; CONNECTING	4 4 4		
	13207-300-000	ROD COMP. G; CONNECTING 13208-300-000	4 4 4		
	13208-300-000	ROD COMP. H; CONNECTING	4 4 4		
	13209-300-000	ROD COMP. J; CONNECTING	4 4 4		
	13210-300-000	ROD COMP. K; CONNECTING 13208-300-000	4 4 4		
3	13213-300-020	BOLT; CONNECTING ROD 13213-333-003	8 8 8		
	13213-333-003	BOLT; CONNECTING ROD (TOKAI)	8 8 8		
4	13214-300-000	NUT; CONNECTING ROD	8 8 8		
5	13215-300-013	BEARING A; CONNECTING ROD (DAIDO)	8 8 8		
	13216-300-013	BEARING B; CONNECTING ROD (DAIDO)	8 8 8		
	13217-300-013	BEARING C; CONNECTING ROD (DAIDO)	8 8 8		
	13218-300-013	BEARING D; CONNECTING ROD (DAIDO)	8 8 8		

Selection table of connecting rod big end bearing

Connecting rod allowance		Crank pin allowance					
		3	3φ +0 -0.025	4	3φ -0.025 -0.020	5	3φ -0.020 -0.015
		Bearing mark (color)	Clearance (μ)	Bearing mark (color)	Clearance (μ)	Bearing mark (color)	Clearance (μ)
3	3φ +0.024 +0.016	B (BROWN)	20~41	B (BROWN)	25~45	A (BLACK)	25~45
2	3φ +0.016 +0.008	C (GREEN)	20~41	C (GREEN)	25~45	B (BROWN)	25~45
1	3φ +0.008 -0	D (YELLOW)	20~41	D (YELLOW)	25~45	C (GREEN)	25~45

6	13315-300-013	BEARING A; CRANKSHAFT (DAIDO)	10 10 10		
	13316-300-013	BEARING B; CRANKSHAFT (DAIDO)	10 10 10		
	13317-300-013	BEARING C; CRANKSHAFT (DAIDO)	10 10 10		
	13318-300-013	BEARING D; CRANKSHAFT (DAIDO)	10 10 10		

Selection table of crankshaft journal main bearing

Crankshaft allowance		Crankshaft journal allowance					
		A	3φ +0 -0.025	B	3φ -0.025 -0.020	C	3φ -0.020 -0.015
		Bearing mark (color)	Clearance (μ)	Bearing mark (color)	Clearance (μ)	Bearing mark (color)	Clearance (μ)
C	3φ +0.024 +0.016	B (BROWN)	20~41	B (BROWN)	25~45	A (BLACK)	25~45
B	3φ +0.016 +0.008	C (GREEN)	20~41	C (GREEN)	25~45	B (BROWN)	25~45
A	3φ +0.008 -0	D (YELLOW)	20~41	D (YELLOW)	25~45	C (GREEN)	25~45

7	91201-300-003	OIL SEAL; 30X42X8	1 1 1		
---	---------------	-------------------	-------	--	--

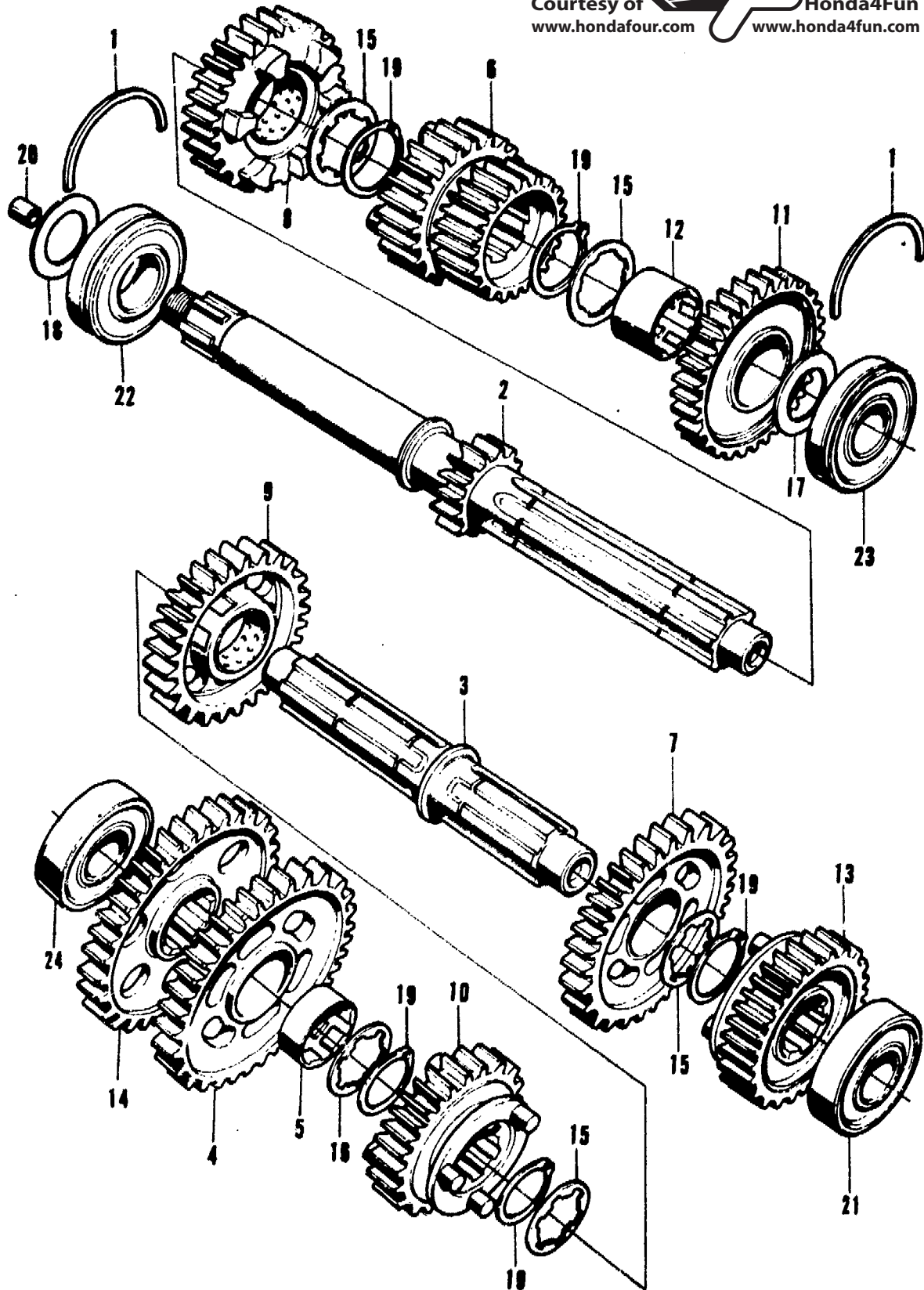
Courtesy of  Honda4Fun
www.hondafour.com www.honda4fun.com

E-18 Transmission



E-18 Transmission

Courtesy of  Honda4Fun
www.hondafour.com www.honda4fun.com



Ref. No.	Part No.	Description	Reqd. No.		Serial No.	Area code
			CB	K1 K2		
1	13495-300-000	RING & BALL BEARING SET	2	2 2		
2	23210-300-000	SHAFT COMP., TRANSMISSION MAIN	1	1 1		
3	23220-300-010	SHAFT, TRANSMISSION COUNTER	1	1 1		
4	23421-300-050	GEAR, COUNTERSHAFT LOW (45T)	1	1 1		
5	23425-300-010	BUSH, 29X14	1	1 1		
6	23431-300-010	GEAR, MAIN SHAFT SECOND THIRD	1	1 1		
7	23440-300-010	GEAR, COUNTER SHAFT SECOND	1	1 1		
8	23450-300-010	GEAR, MAIN SHAFT FOURTH	1	1 1		
9	23460-300-010	GEAR, COUNTER SHAFT THIRD	1	1 1		
10	23471-300-010	GEAR, COUNTERSHAFT FOURTH (34T)	1	1 1		
11	23481-300-020	GEAR, MAIN SHAFT TOP (33T)	1	1 1		
12	23485-300-020	BUSH, 28X20.5	1	1 1		
13	23491-300-010	GEAR, COUNTER SHAFT TOP	1	1 1		
14	23501-300-020	GEAR, FINAL DRIVE (48T)	1		1007414	
	23501-300-030	GEAR, FINAL DRIVE (48T)	1		1007415	
15	90451-300-000	WASHER, THRUST, 25MM	4	4 4		
16	90452-300-000	WASHER, THRUST, 25MM	1	1 1		
17	90458-292-000	WASHER, THRUST, 20MM	1	1 1		
18	90458-506-010	WASHER A, THRUST, 25MM	1	1 1		
19	90601-300-000	CIR CLIP, 25MM	5	5 5		
20	90809-300-300	PLUG, SPECIAL, 10X10	1	1 1		
21	91001-035-000	BEARING, RADIAL BALL, 6304	1	1 1		
22	91002-300-008	BEARING, SPECIAL BALL, 6205	1	1 1		
23	91003-235-000	BEARING, BALL, HC 6305	1	1 1		
24	96100-62040	BEARING, RADIAL BALL, 6204	1	1 1		

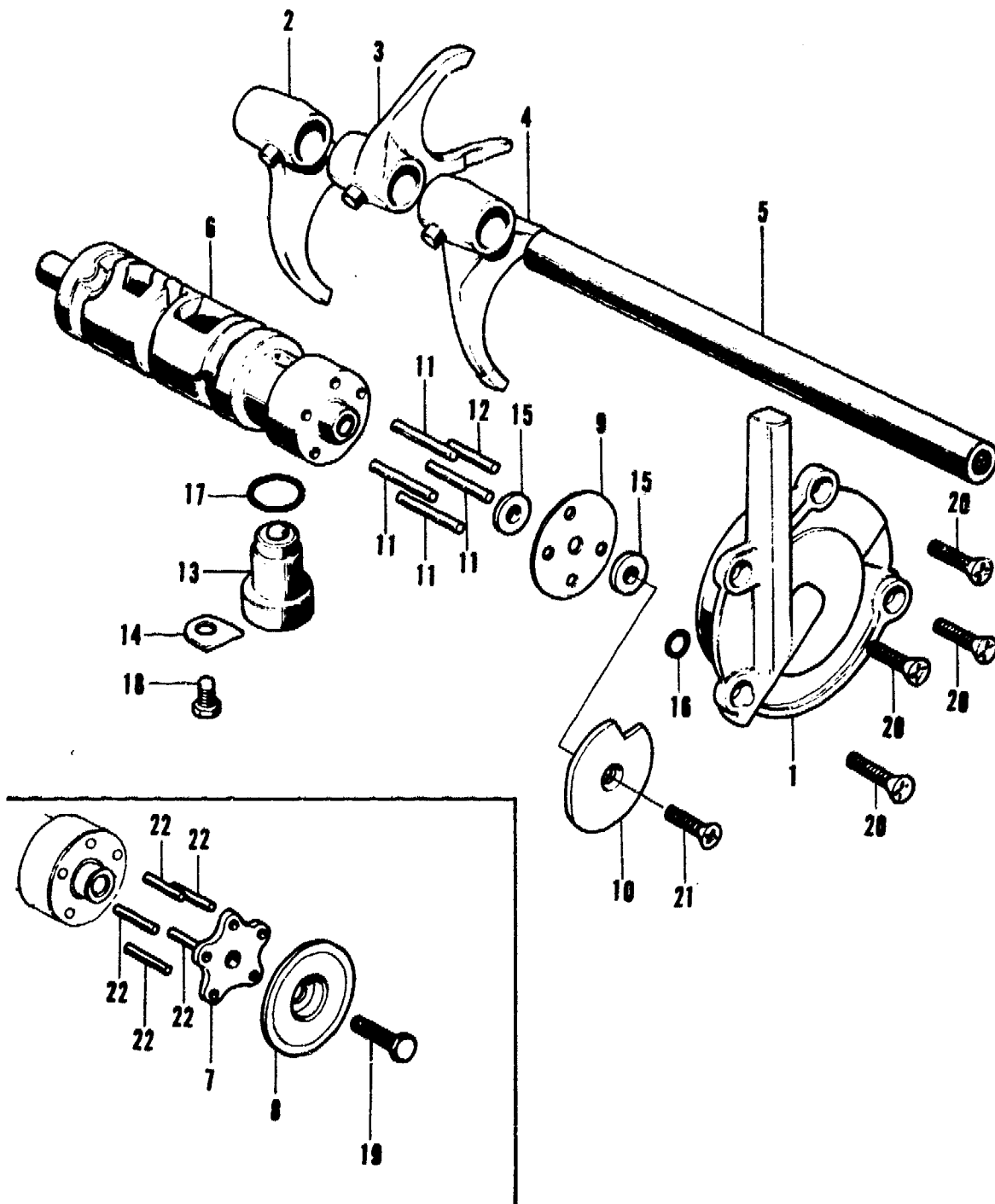
B300-18

Courtesy of  Honda4Fun
www.hondafour.com www.honda4fun.com

E-19 Gear shift fork - Drum

E-19 Gear shift fork - Drum

Courtesy of  Honda4Fun
www.hondafour.com www.honda4fun.com



Ref. No.	Part No.	Description	Reqd. No.		Serial No.	Area code
			CB	750 K1 K2		
1	23150-300-010	HOLDER COMP., COUNTER SHAFT BEARING	1	1		
2	24211-300-020	FORK, RIGHT GEAR SHIFT	1	1		
3	24212-300-020	FORK, CENTER GEAR SHIFT	1	1		
4	24213-300-020	FORK, LEFT GEAR SHIFT	1	1		
5	24261-300-030	SHAFT, GEAR SHIFT FORK	1	1		
6	24301-300-030	DRUM, GEAR SHIFT	1	1		
	24301-300-040	DRUM, GEAR SHIFT		1		
7	24321-300-000	PLATE, DRUM STOPPER	1			1026143
8	24326-300-000	PLATE, GEAR SHIFT SIDE	1			1026143
9	24438-300-000	PLATE, SPACER	1	1		1026144
10	24441-300-010	PLATE, NEUTRAL STOPPER	1	1		1026144
	24441-300-020	PLATE, NEUTRAL STOPPER	1	1		1044968
11	24443-300-000	ROLLER, 4X23.8	4	4		1026144
12	24444-300-000	ROLLER, 4X20.6	1	1		1026144
13	35752-300-010	SWITCH ASSY., NEUTRAL	1	1		
14	35754-300-020	STOPPER, NEUTRAL SWITCH	1	1		
15	90436-300-000	WASHER, 20MM	2	2		1026144
16	91301-283-000	O-RING, 5X2.4	1	1		
17	91311-044-000	O-RING, 8X3	1	1		
18	92080-06016	BOLT, HEX., 6X16	1	1		
19	92000-06020	BOLT, HEX., 6X20	1			1026143
20	93600-06020	SCREW, FLAT, 6X20	4	4		
21	93600-06025	SCREW, FLAT, 6X25	1	1		1026143
22	96220-40198	ROLLER, 4X19.8	5			1026143

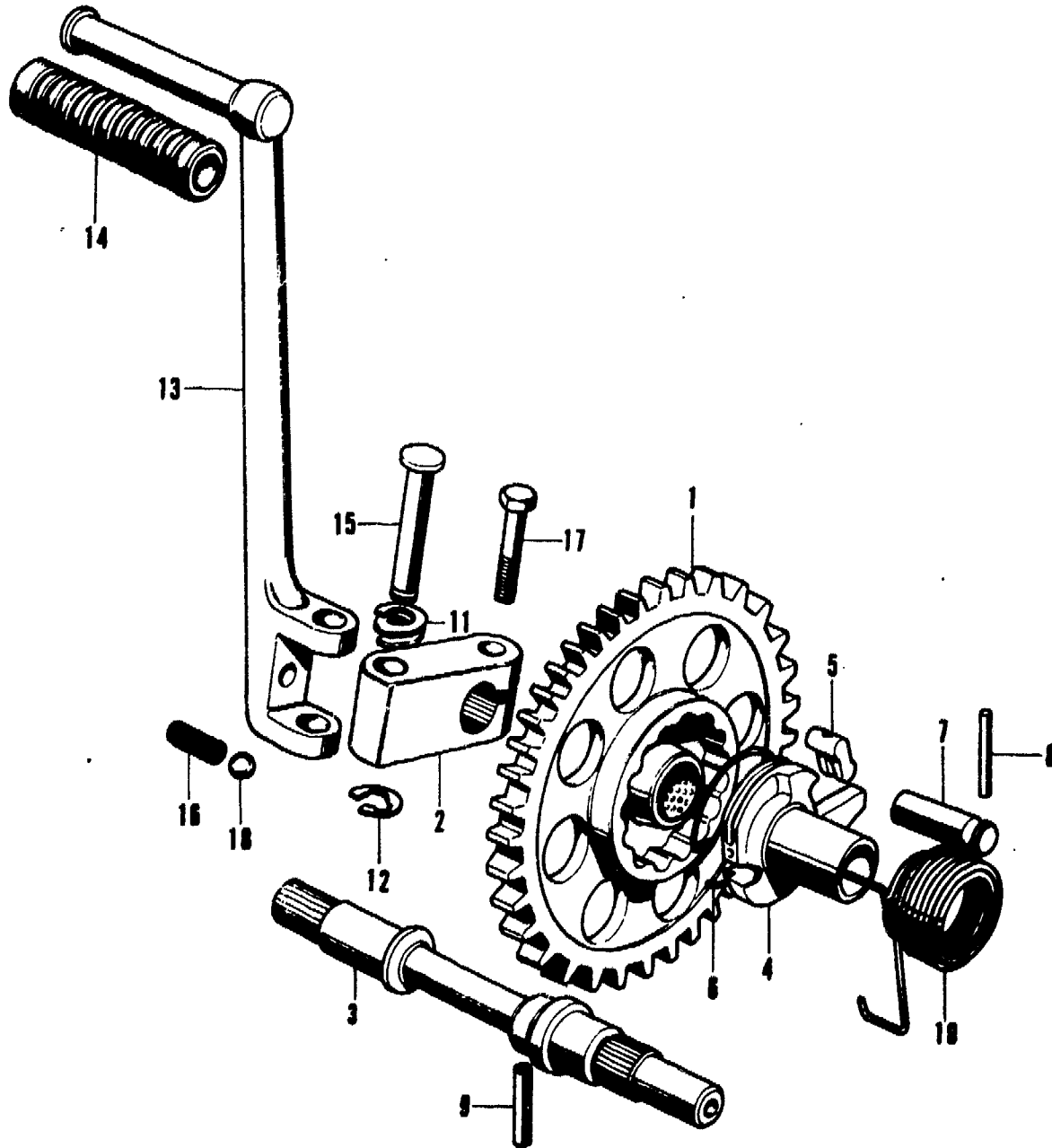
B300-19

Courtesy of  Honda4Fun
www.hondafour.com www.honda4fun.com

E-20 Kick starter • Spindle

E-20 Kick starter • Spindle

Courtesy of Honda4Fun
www.hondafour.com www.honda4fun.com



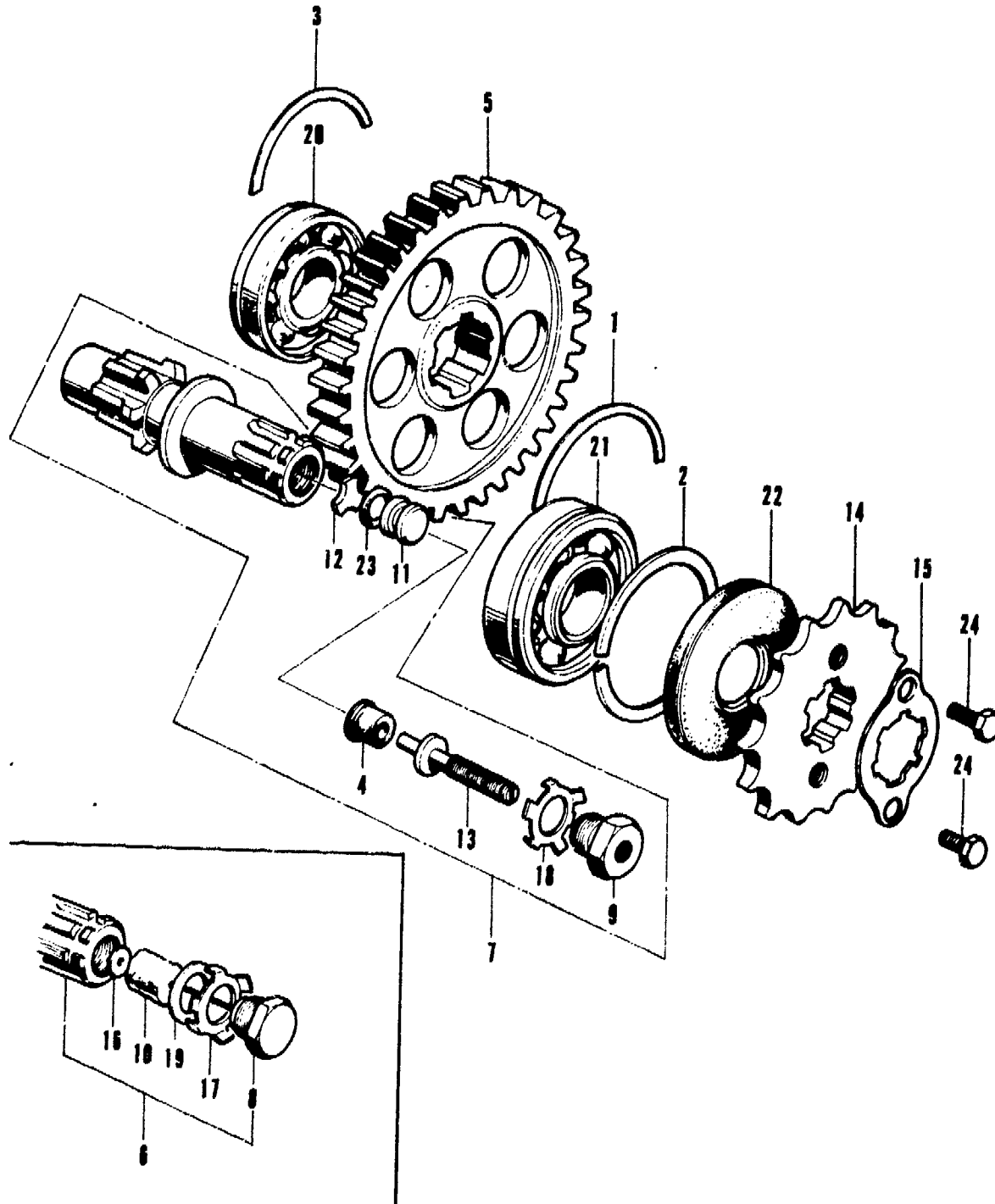
Ref. No.	Part No.	Description	Reqd. No.		Serial No.	Area code
			CB	750 K1 K2		
1	28210-300-000	GEAR, KICK STARTER	1	1	1	
2	28241-300-010	JOINT, KICK STARTER	1	1	1	
3	28250-300-020	SPINDLE, KICK STARTER	1	1	1	
4	28251-300-030	FLANGE, KICK STARTER	1	1	1	
5	28252-300-020	PAWL, KICK STARTER	1	1	1	
6	28253-300-000	SPRING, KICK STARTER RACKET	1	1	1	
7	28254-300-000	PIN, KICK STOPPER	1	1	1	
8	28255-300-000	PIN, 4X37	1	1	1	
9	28256-300-000	PIN, 6X35	1	1	1	
10	28261-300-010	SPRING, KICK STARTER RETURN	1	1	1	
11	28292-250-010	SPRING, KICK STARTER	1	1	1	
12	28293-250-000	CLIP, KICK STARTER KNUCKLE PIN	1	1	1	
13	28300-300-000	ARM ASSY., KICK STARTER	1	1	1	
14	28311-250-000	RUBBER, KICK STARTER	1	1		
	28311-329-000	RUBBER, KICK STARTER			1	
15	28321-300-000	PIN, KICK STARTER KNUCKLE	1	1	1	
16	28333-300-000	SPRING, KICK STARTER STOPPER	1	1	1	
17	92000-08028-0A	BOLT, HEX., 8X28	1	1	1	
18	96211-08000	BALL, STEEL, #8	1	1	1	

B300-20

Courtesy of Honda4Fun
www.hondafour.com www.honda4fun.com

E-21 Final driven shaft • Drive sprocket

Courtesy of  Honda4Fun
www.hondafour.com www.honda4fun.com



B300-21

E-21 Final driven shaft • Drive sprocket

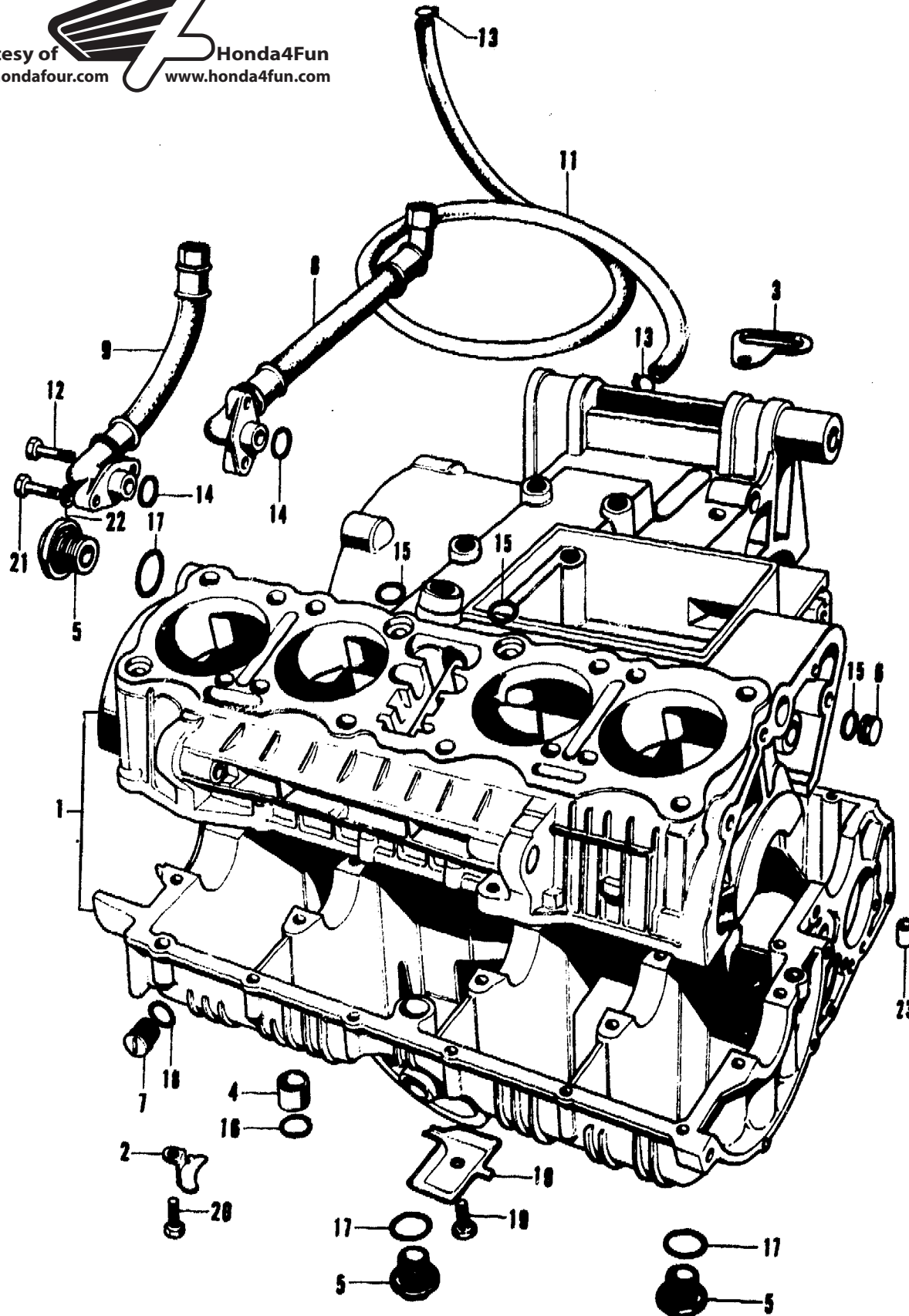
Ref. No.	Part No.	Description	Reqd. No.		Serial No.	Area code
			CB	750 K1 K2		
1	13491-259-000	RING, BEARING SET, 62MM	1			
2	13491-300-000	RING, BEARING SET, 66.5MM	1	1		
3	13495-300-000	RING A; BALL BEARING SET	1			1033000
4	23314-319-300	RUBBER, ORIFICE	1	1	1026144	
5	23511-300-020	GEAR, FINAL DRIVEN (56T)	1	1	1	
6	23520-300-000	SHAFT, FINAL DRIVEN 23520-300-305	1			1003527
	23520-300-305	SHAFT, FINAL DRIVEN	1			1003527
	23520-300-010	SHAFT, FINAL DRIVEN 23520-300-020	1			1003528 1026143
7	23520-300-020	SHAFT, FINAL DRIVEN	1	1	1026144	
	23520-300-030	SHAFT, FINAL DRIVEN	1	1		2200000
	23520-300-030	SHAFT, FINAL DRIVEN	1	1		2200001
8	23523-300-300	PLUG, FINAL SHAFT	1			1026143
9	23523-300-310	PLUG, FINAL SHAFT	1	1	1026144	
10	23524-300-300	ELEMENT, OIL RESERVE	1			1026143
11	23524-300-310	ELEMENT, OIL RESERVE	1	1	1026144	
12	23525-300-000	PLATE, STOPPER	1	1	1058622	
13	23526-300-300	SCREW, ADJUSTING	1	1	1026144	
14	23801-300-305	SPROCKET, DRIVE (17T) 23801-300-315	1			1003527
	23801-300-315	SPROCKET, DRIVE (17T)	1			1003527
	23801-300-000	SPROCKET, DRIVE (16T) 23801-300-010	1			1003528
	23801-300-010	SPROCKET, DRIVE (17T)	1			1003528
	23801-300-620	SPROCKET, DRIVE (18T)	1	1		
15	23811-292-000	PLATE, DRIVE SPROCKET FIXING	1	1	1	
16	90405-300-000	WASHER, FELT SET	1			1026143
17	90433-300-000	WASHER, LOCK, 14MM 90433-319-000	1			1026143
18	90433-300-010	WASHER, LOCK, 14MM	1	1	1026144	
19	90407-259-000	PACKING, DRAIN COCK	1			1026143
	90404-300-810	WASHER, DRIVEN	(1)			1026143
20	91002-300-008	BEARING, SPECIAL BALL, 6205	1	1		1048345
	91006-300-008	BEARING, SPECIAL BALL, 6205	1	1	1048346	
21	91003-259-000	BEARING, BALL	1			
	91007-300-008	BEARING, SPECIAL BALL, 6305	1	1		2200000
	91008-300-008	BEARING, BALL, 5206	1			2200001
22	91205-300-005	OIL SEAL, 25X62X7	1	1	1	
23	91313-300-003	O-RING, 6.4X3.0	1	1	1026144	
24	92000-06012	BOLT, HEX., 6X12	2			1003527
	92000-06016	BOLT, HEX., 6X16	2	2	1003528	

Courtesy of  Honda4Fun
www.hondafour.com www.honda4fun.com

E-22 Crankcase

E-22 Crankcase

Courtesy of  Honda4Fun
www.hondafour.com www.honda4fun.com



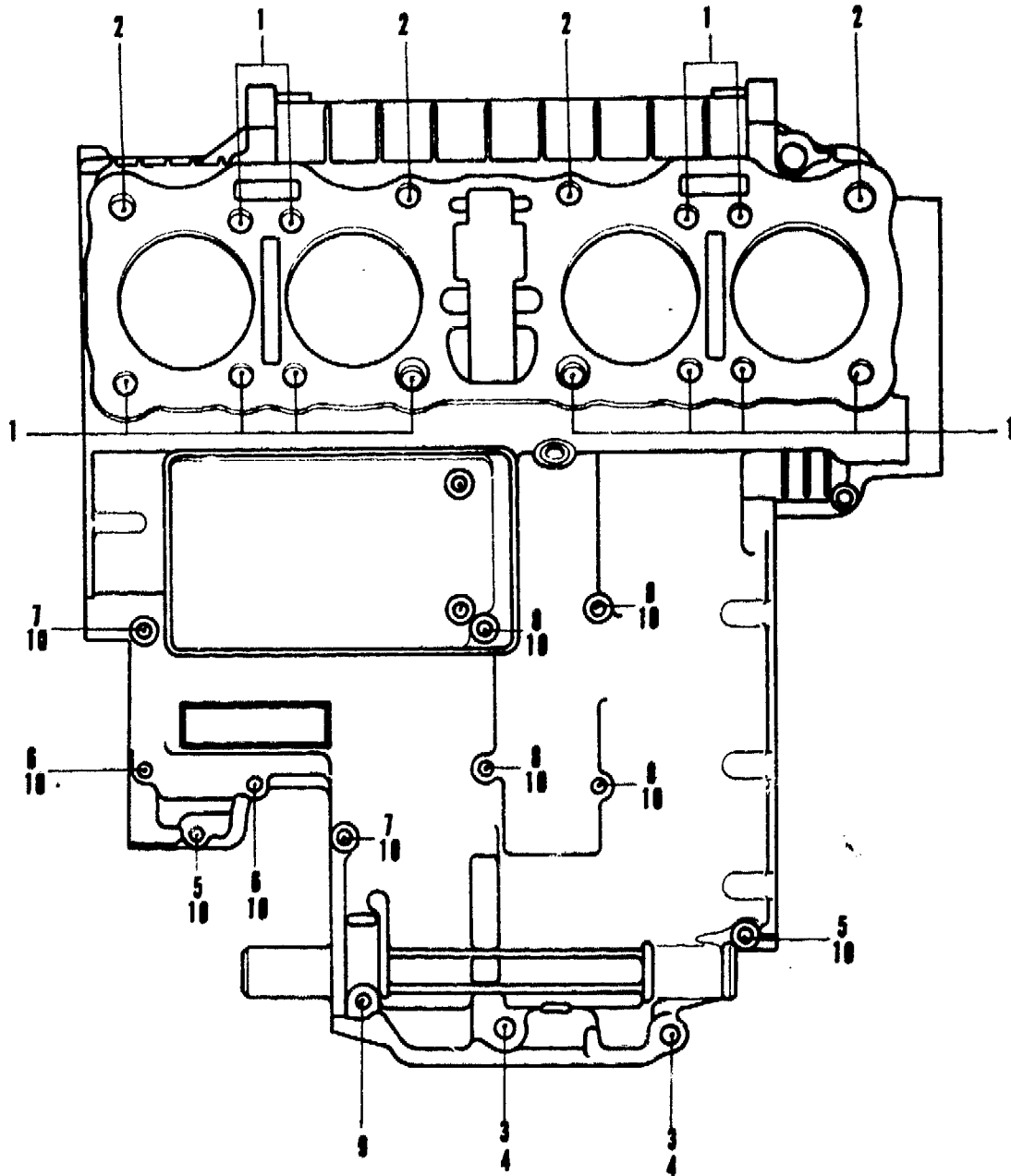
B300-22

Ref. No.	Part No.	Description	Reqd. No.		Serial No.	Area code
			CB	750 K1 K2		
1	11010-300-070	CRANKCASE SET	1		1000219	
	11010-300-080	CRANKCASE SET	1		1000270	1007414
	11010-300-395	CRANKCASE SET	1			1007414
	11010-300-415	CRANKCASE SET	1		1000220	1007414
	11010-300-090	CRANKCASE SET	1		1007415	
	11010-300-405	CRANKCASE SET	1		1007415	
	11010-300-110	CRANKCASE SET	1	1		
	11000-300-305	CRANKCASE SET				
2	11204-300-000	STOPPER, BOTTOM PLATE	1		1007415	1031529
	11204-300-010	STOPPER, BOTTOM PLATE	1		1031530	1074117
3	11355-300-000	GUIDE, OVEN FLOW	1		1068376	
4	15326-300-000	COLLAR, OIL PATH, 18MM	1	1		
5	15331-300-000	CAP, OIL PATH	1			1007414
			3	3		
6	15336-300-010	PLUG, OIL PATH	1	1		
7	15337-300-000	PLUG, OIL TUBE	1			1000219
	15337-300-010	PLUG, OIL TUBE	1		1000220	
			1	1		
8	15510-300-007	HOSE A COMP., OIL	1			2200000
	15510-300-017	HOSE A COMP., OIL	1			2200001
9	15520-300-007	HOSE B COMP., OIL	1	1		
10	15421-300-000	GUIDE, FINAL SHAFT OIL	1	1		
11	15741-300-010	TUBE A, BREATHER	1			
	15741-300-020	TUBE A, BREATHER	1	1		
12	90040-300-000	BOLT, SPECIAL, 6X25	1	1		
13	90603-300-000	CLIP, FUEL TUBE, 9.7MM	2		1054290	
			2	2		
14	91304-028-000	O-RING, 15X2.5	2	2		
15	91309-035-000	O-RING, 11X2.5	4		1000220	1000219
			3	3		
16	91311-044-000	O-RING, 8X3	1	1		
17	91315-044-000	O-RING, 19.4X2.8	1			
	94608-40000	O-RING, 19.4X2.8	1		1007415	1007414
			3	3		
18	91319-300-000	O RING 13X2.5	1		1000220	
			1	1		
19	92000-06016	BOLT, HEX., 6X16	1	1		
20	92000-06020	BOLT, HEX., 6X20	1		1007415	
			1	1		
21	92000-06025	BOLT, HEX., 6X25	3	3		
22	94101-06000	WASHER, PLAIN, 6MM	4	4		
23	94301-10160	PIN A, BOWEL, 10X16	2	2		

D 10

E-23 Bolt - Washer (Upper crankcase)

Courtesy of  Honda4Fun
www.hondafour.com www.honda4fun.com



B300-23

E-23 Bolt - Washer (Upper crankcase)

Ref. No.	Part No.	Description	Reqd. No.			Serial No.	Area code
			CB	750	K1 K2		
1	90033-300-020 90033-300-030	BOLT A; CYLINDER STUD	12	12	12	2304500	
2	90034-300-020 90034-300-030	BOLT B; CYLINDER STUD	4	4	4	2304501	
3	90046-300-000	BOLT; HEX.; 8X56	2	2	2		
4	90485-035-000	WASHER; 14MM	2	2	2		
5	92000-06040 95700-06040	BOLT; HEX.; 6X40	2	2	2	1064902	
6	92000-06056 95700-06056	BOLT; HEX.; 6X56	2	2	2	1064903	
7	92000-06080 95700-06080	BOLT; HEX.; 6X80	2	2	2	1064902	
8	92000-06100 95700-06100	BOLT; HEX.; 6X100	4	4	4	1064903	
9	92100-08080-0A 90048-300-000	BOLT; HEX.; 8X80	1	1	1	1000140	
10	94101-06000	WASHER; PLAIN; 6MM	10	10	10	1000141	1064902

Courtesy of  Honda4Fun
www.hondafour.com www.honda4fun.com

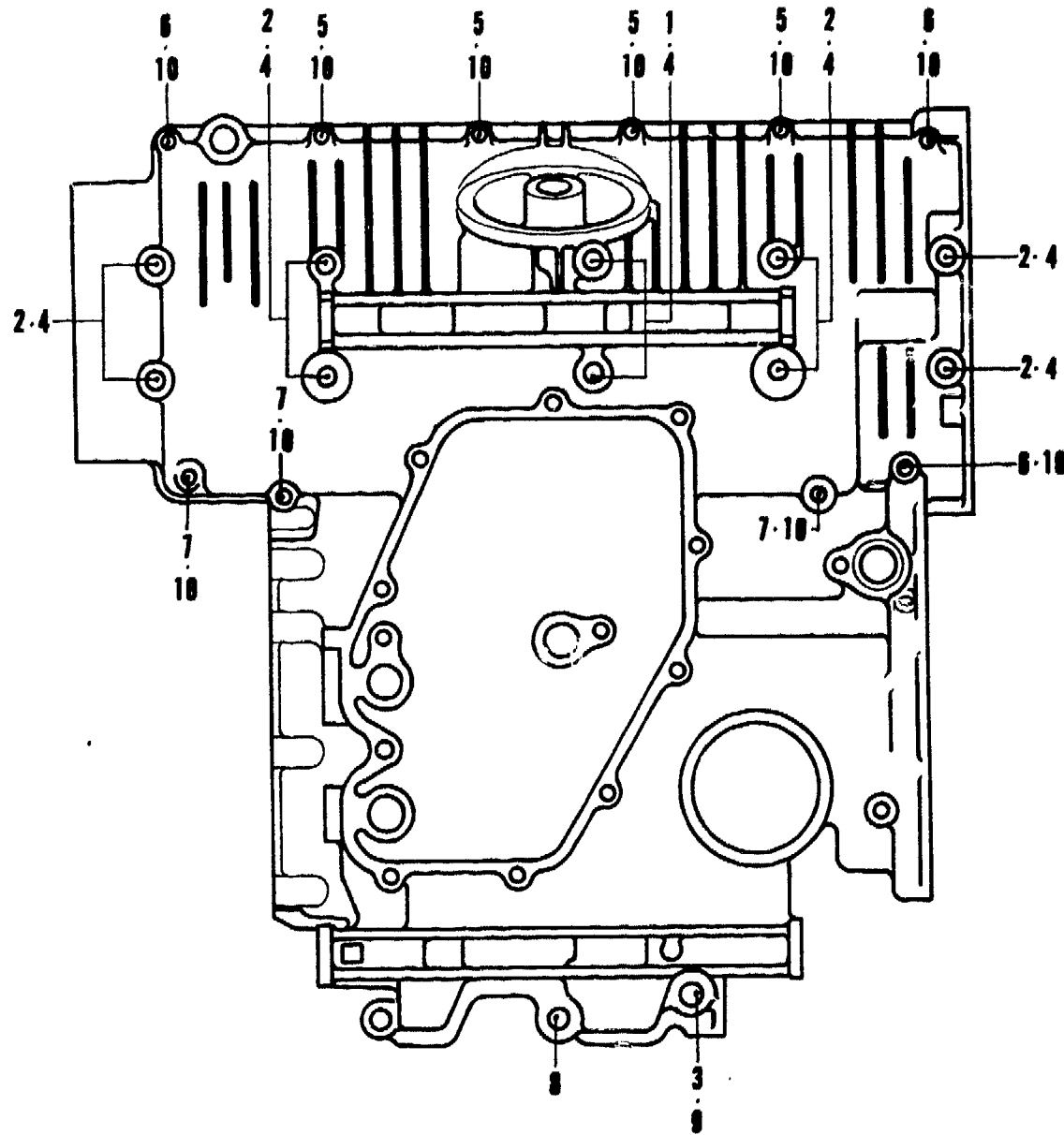
D 11

E-24 Bolt - Washer (Lower crankcase)

E-24 Bolt - Washer (Lower crankcase)

Courtesy of  Honda4Fun
www.hondafour.com www.honda4fun.com

Ref. No.	Part No.	Description	Reqd. No.			Serial No.	Area code
			CB	K1	K2		
1	90041-300-000	BOLT, HEX., 8X140	2	2	2		
2	90042-300-000	BOLT, HEX., 8X120	8	8	8		
3	90403-300-000	WASHER, 10X2.3	1	1	1		
4	90485-035-000	WASHER, 14MM	11	11	11		
5	92000-06040	BOLT, HEX., 6X40	4				1064902
	95700-06040	BOLT, FLANGE, 6X40	4			1064903	
6	92000-06050	BOLT, HEX., 6X50	3				1064902
	95700-06050	BOLT, FLANGE, 6X50	3			1064903	
7	92000-06100	BOLT, HEX., 6X100	3				1064902
	95700-06100	BOLT, FLANGE, 6X100	3			1064903	
8	94001-08000-05	NUT, HEX., 8MM	1	1	1		
9	94001-10000-05	NUT, HEX., 10MM	1	1	1		
10	94101-06000	WASHER, PLAIN, 6MM	10	10	10		

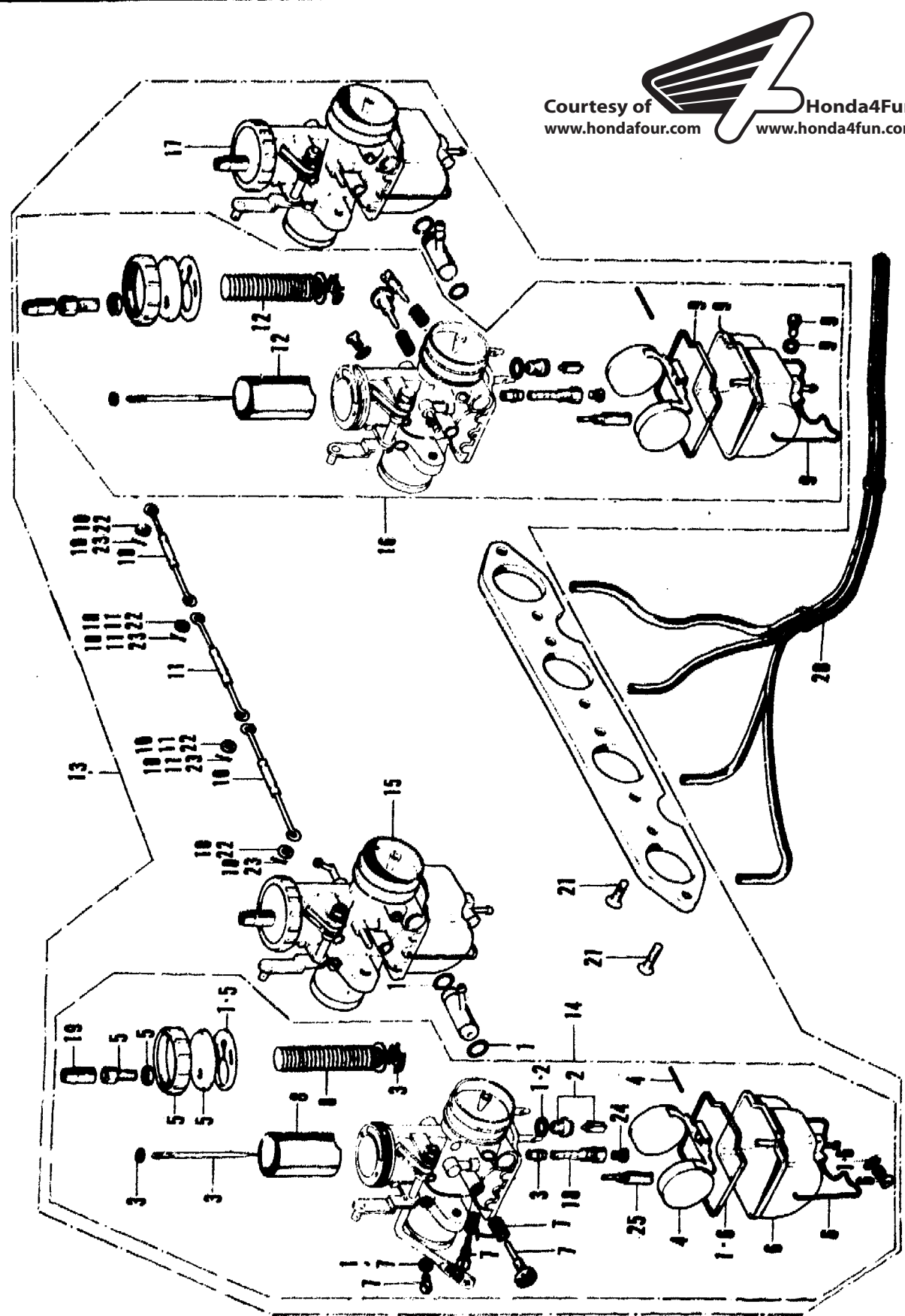


B300-24

Courtesy of  Honda4Fun
www.hondafour.com www.honda4fun.com

E-25 Carburetor (KEIHIN)

E-25 Carburetor (KEIHIN)



Courtesy of www.hondafour.com www.honda4fun.com

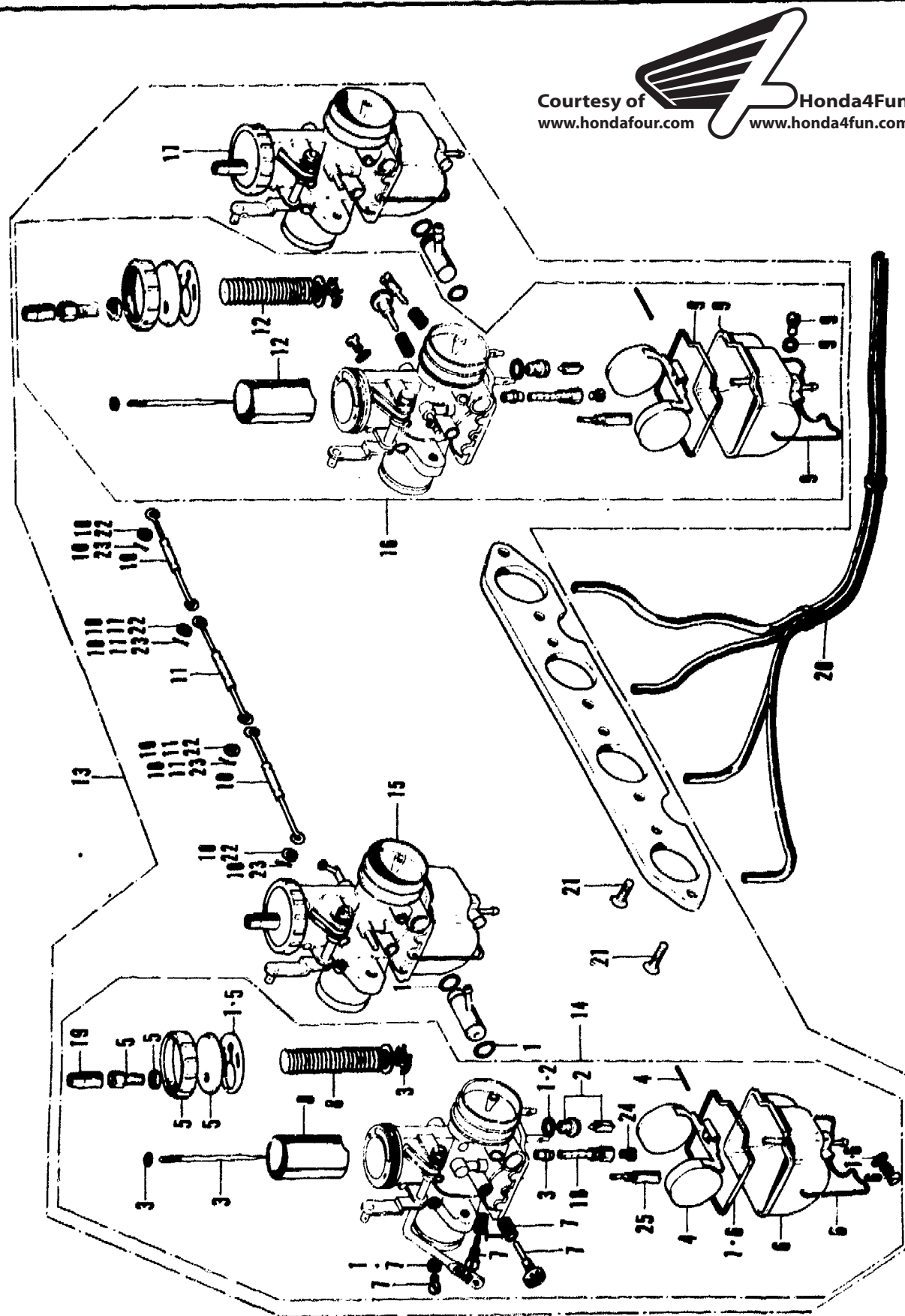
Ref. No.	Part No.	Description	Reqd. No. CB 750 K1 K2	Serial No.	Area code
1	16010-300-004	GASKET SET	4		
2	16011-302-004	VALVE SET, FLOAT (KEIHIN)	4		
3	16012-300-004	NEEDLE SET, JET	4		A>E>H+U
	16012-300-610	NEEDLE SET, JET	4		F+G
4	16013-300-004	FLOAT SET	4		
5	16014-300-004	TOP SET	4		
6	16015-300-004	CHAMBER SET, FLOAT	4		
7	16016-300-004	SCREW SET A	4		
8	16022-300-004	VALVE SET, THROTTLE	2		
9	16023-300-004	CHAMBER SET B, FLOAT	4		
10	16025-300-004	ROB SET A, CHOKE	2		
11	16026-300-004	ROB SET B, CHOKE	1		
12	16027-300-004	VALVE SET W, THROTTLE	2		
13	16100-300-014	CARBURETOR ASSY. 16100-300-303	1	1017629	A>E>H+U
	16100-300-610	CARBURETOR ASSY. 16100-300-304	1	1017629	F+G
	16100-300-303	CARBURETOR ASSY. 16100-300-313	1	1017630	1033828 A>E>H+U
	16100-300-304	CARBURETOR ASSY.	1	1017630	1044812 F+G
	16100-300-313	CARBURETOR ASSY.	1	1033829	1044812 A>E>H+U
14	16101-300-014	CARBURETOR ASSY. A 16101-300-303	1	1017629	A>E>H+U
	16101-300-610	CARBURETOR ASSY. A 16101-300-304	1	1017629	F+G
	16101-300-303	CARBURETOR ASSY. A	1	1017630	1033828 A>E>H+U
	16101-300-304	CARBURETOR ASSY. A	1	1017630	F+G
	16101-300-313	CARBURETOR ASSY. A	1	1033829	A>E>H+U
15	16102-300-014	CARBURETOR ASSY. B 16102-300-303	1	1017629	A>E>H+U
	16102-300-610	CARBURETOR ASSY. B 16102-300-304	1	1017629	F+G
	16102-300-303	CARBURETOR ASSY. B 16102-300-313	1	1017630	1033828 A>E>H+U
	16102-300-304	CARBURETOR ASSY. B	1	1017630	F+G
	16102-300-313	CARBURETOR ASSY. B	1	1033829	A>E>H+U
16	16103-300-014	CARBURETOR ASSY. C 16103-300-303	1	1017629	A>E>H+U
	16103-300-610	CARBURETOR ASSY. C 16103-300-304	1	1017629	F+G
	16103-300-303	CARBURETOR ASSY. C 16103-300-313	1	1017630	1033828 A>E>H+U
	16103-300-304	CARBURETOR ASSY. C	1	1017630	F+G
	16103-300-313	CARBURETOR ASSY. C	1	1033829	A>E>H+U

B300-25

Courtesy of www.hondafour.com www.honda4fun.com

E-25 Carburetor (KEIHIN)

E-25 Carburetor (KEIHIN)



Courtesy of Honda4Fun
www.hondafour.com www.honda4fun.com

Ref. No.	Part No.	Description	Reqd. No.		Serial No.	Area code
			CB	750 K1 K2		
17	16104-300-014	CARBURETOR ASSY. D 16104-300-303	1		1017629	A+E+H+U
	16104-300-610	CARBURETOR ASSY. D 16104-300-304	1		1017629	F+G
	16104-300-303	CARBURETOR ASSY. D 16104-300-313	1		1017630	1033828 A+E+H+U
	16104-300-313	CARBURETOR ASSY. D	1		1033829	1044812 A+E+H+U
	16104-300-304	CARBURETOR ASSY. D	1		1017630	1044812 F+G
18	15135-100-004	HOLDER, NEEDLE JET	4			
19	16194-300-304	CAP, RUBBER	4			
20	16290-300-000	TUBE, OVER FLOW	1			
21	93600-06016	SCREW, FLAT, 6X16	8			
22	94101-05000	WASHER, PLAIN, 5MM	4			
23	94201-10100	PIN, SPLIT, 1.0MM	4			
24	99114-246-1400	JET, MAIN #140	4			
25	99124-300-0400	JET, SLOW #40	4			

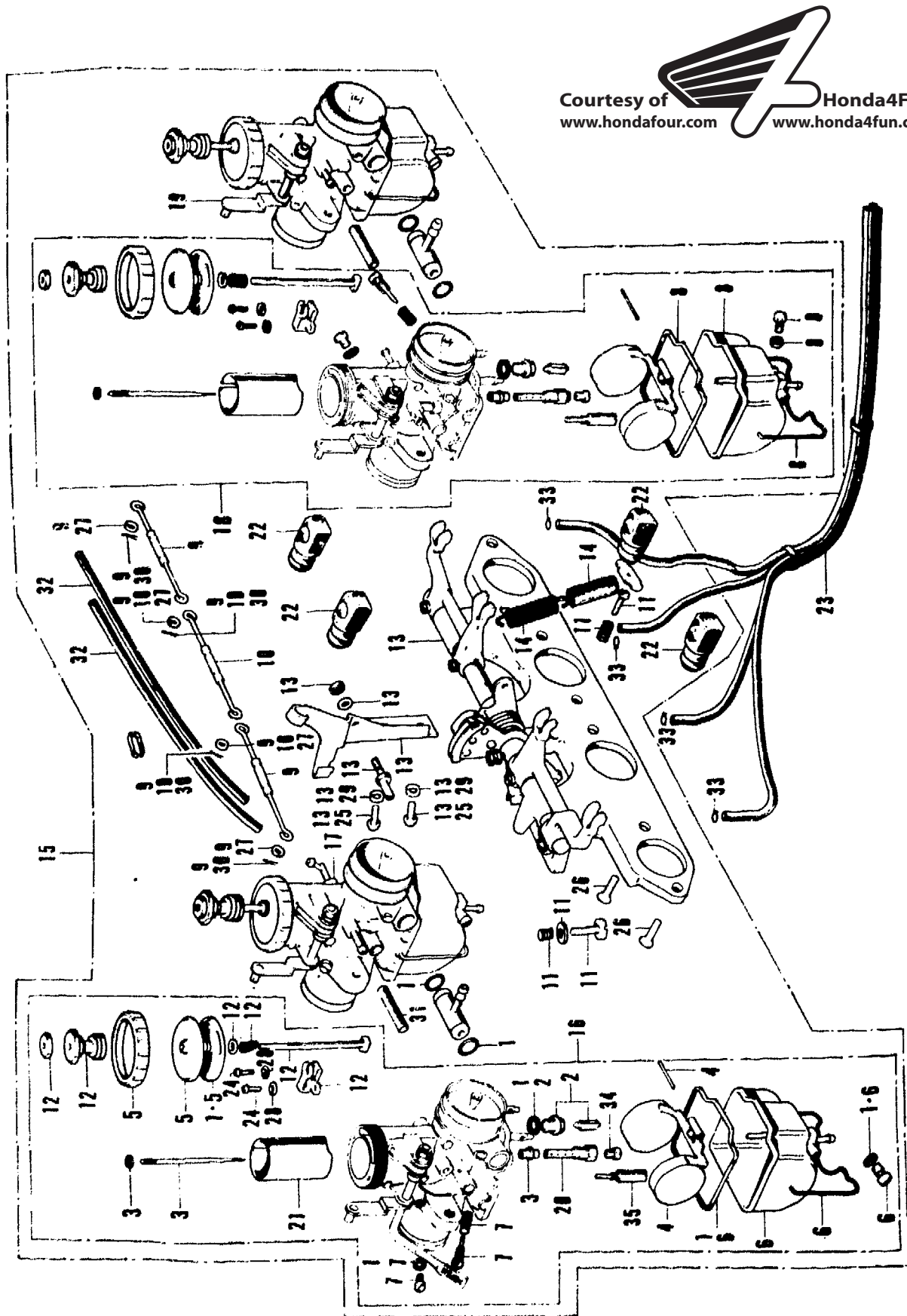
B300-25

Courtesy of Honda4Fun
www.hondafour.com www.honda4fun.com

D 14

E-26 Carburetor (KEIHIN)

E-26 Carburetor (KEIHIN)



Courtesy of  Honda4Fun
www.hondafour.com www.honda4fun.com

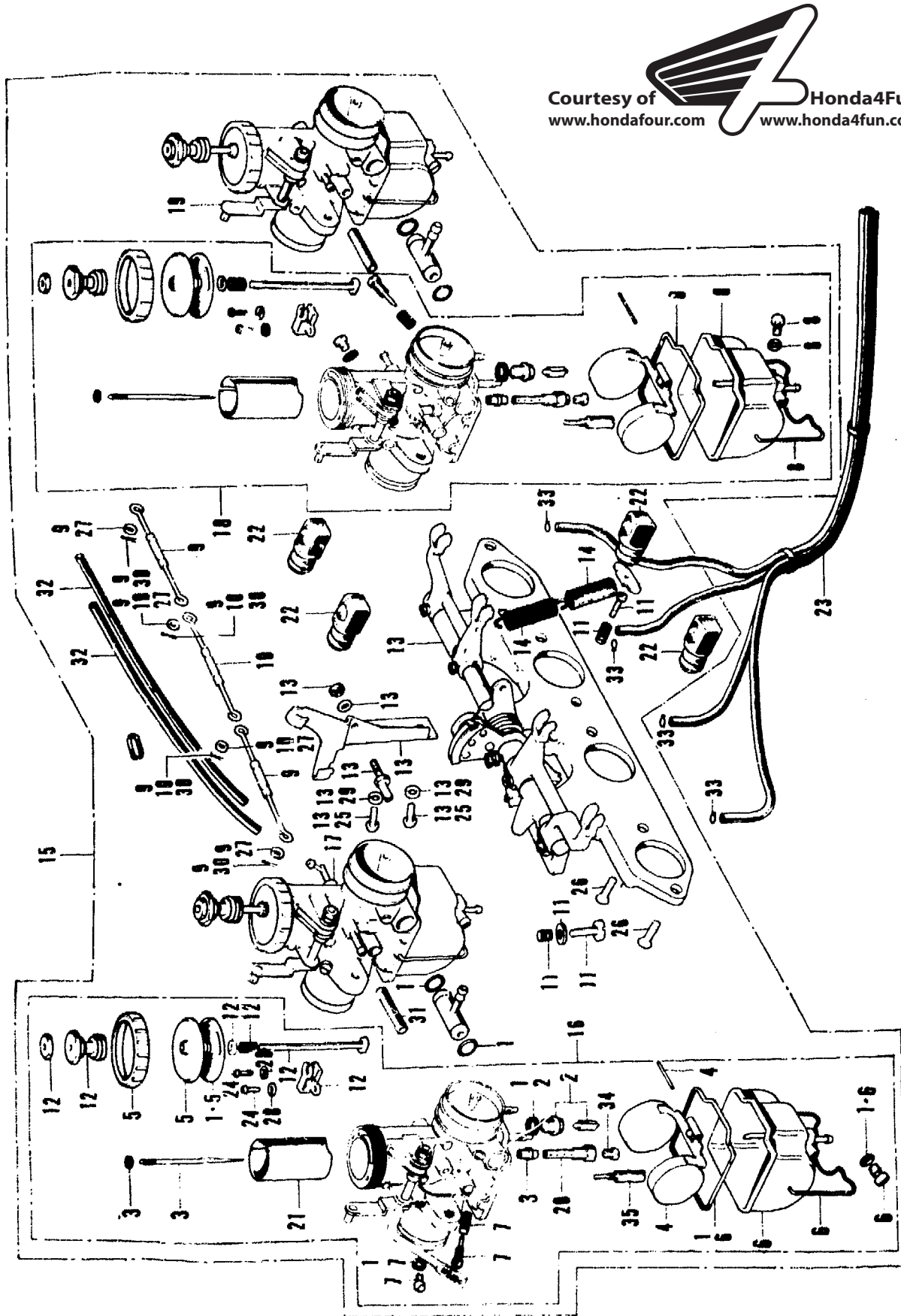
Ref. No.	Part No.	Description	Reqd. No.		Serial No.	Area code
			CB	750 K1 K2		
1	16010-300-014	GASKEY SET	4	4		
2	16011-302-004	VALVE SET, FLOAT (KEIHIN)	4	4		
3	16012-300-014	NEEDLE SET, JET	4	4		A, D, E, U
	16012-300-611	NEEDLE SET, JET	4	4		E, D, F, G, H
4	16013-300-004	FLOAT SET	4	4		
5	16014-300-014	TOP SET	4	4		
6	16015-300-004	CHAMBER SET, FLOAT	2	2		
7	16016-300-014	SCREW SET A	4			
	16016-300-024	SCREW SET A		4		
8	16023-300-004	CHAMBER SET B, FLOAT	2	2		
9	16025-300-004	ROD SET A, CHOKE	2	2		
10	16026-300-004	ROD SET B, CHOKE	1	1		
11	16028-300-004	SCREW SET B	1	1		
12	16032-300-004	ROD SET, THROTTLE	4	4		
13	16035-300-004	PLATE SET, STAY	1	1		
14	16036-300-004	TUBE SET, PROTECT	1	1		
15	16100-300-024	CARBURETOR ASSY.	1			A, D, E, U
	16100-300-620	CARBURETOR ASSY.	1			E, D, F, G, H
	16100-300-034	CARBURETOR ASSY.	1	1		
			1	1		
16	16101-300-024	CARBURETOR ASSY. A	1			A, D, E, U
	16101-300-620	CARBURETOR ASSY. A	1			E, D, F, G, H
	16101-300-034	CARBURETOR ASSY. A		1	2304500	
	16101-300-044	CARBURETOR ASSY. A		1	2304501	
17	16102-300-024	CARBURETOR ASSY. B	1			A, D, E, U
	16102-300-620	CARBURETOR ASSY. B	1			E, D, F, G, H
	16102-300-034	CARBURETOR ASSY. B		1	2304500	
	16102-300-044	CARBURETOR ASSY. B		1	2304501	
18	16103-300-024	CARBURETOR ASSY. C	1			A, D, E, U
	16103-300-620	CARBURETOR ASSY. C	1			E, D, F, G, H
	16103-300-034	CARBURETOR ASSY. C		1	2304500	
	16103-300-044	CARBURETOR ASSY. C		1	2304501	
19	16104-300-024	CARBURETOR ASSY. D	1			A, D, E, U
	16104-300-620	CARBURETOR ASSY. D	1			E, D, F, G, H
	16104-300-034	CARBURETOR ASSY. D		1	2304500	
	16104-300-044	CARBURETOR ASSY. D		1	2304501	
20	16139-300-004	HOLDER, NEEDLE JET	4	4		
21	16141-300-014	VALVE, THROTTLE	4	4		
22	16154-300-004	CAP, BUST	4	4		
23	16290-300-000	TUBE, OVER FLOW	1			1075861
	16290-300-010	TUBE, OVER FLOW	1			1075862
				1		
24	93500-03010-0A	SCREW, PAN, 3X10	8	8		
25	93500-06012	SCREW, PAN, 6X12	2	2		

B300-26A

Courtesy of  Honda4Fun
www.hondafour.com www.honda4fun.com

E-26 Carburetor (KEIHIN)

E-26 Carburetor (KEIHIN)



Courtesy of Honda4Fun
www.hondafour.com www.honda4fun.com

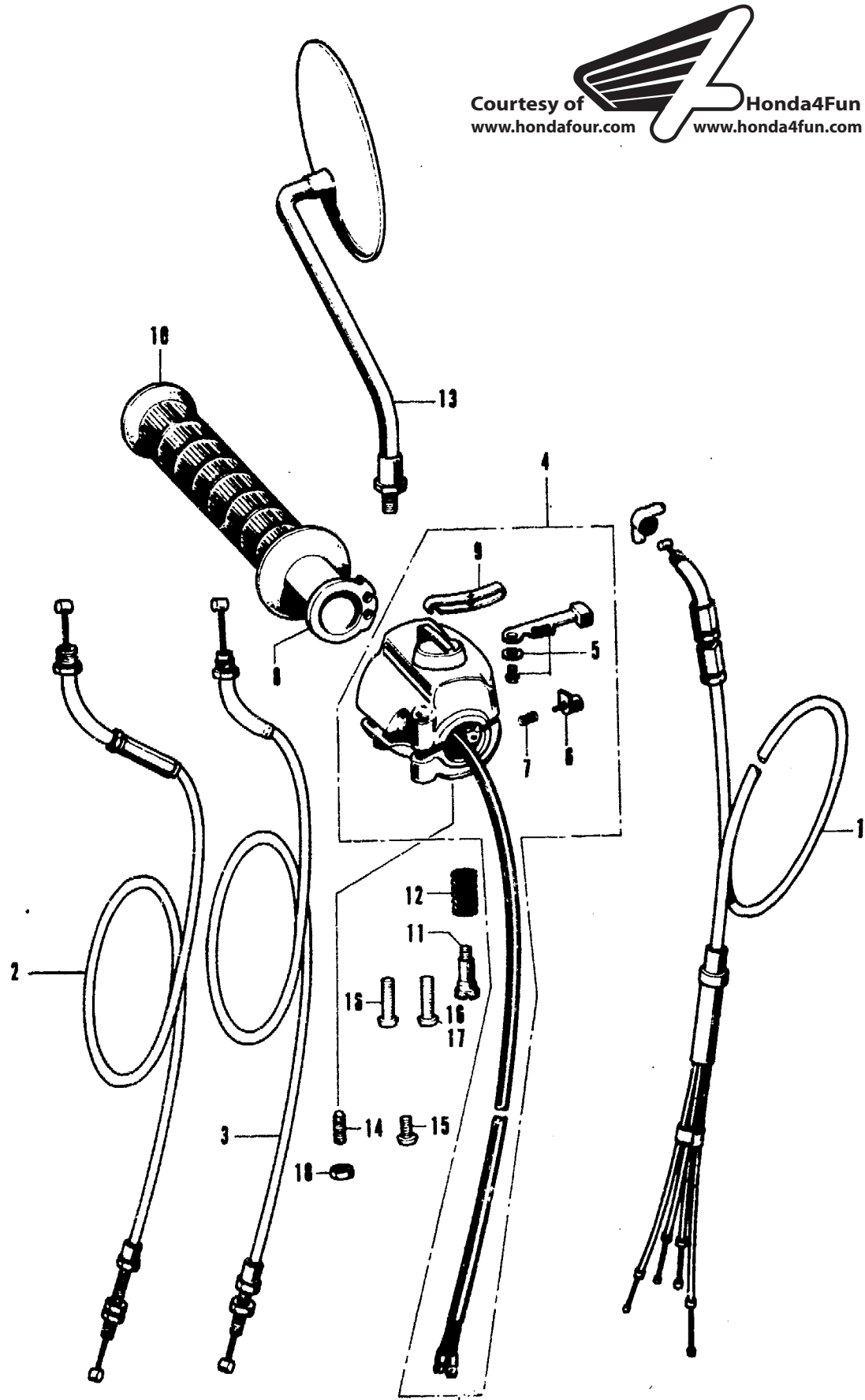
Ref. No.	Part No.	Description	Reqd. No.		Serial No.	Area code
			CB	750 K1 K2		
26	93600-06016	SCREW, FLAT, 6X16	8	8		
27	94101-05000	WASHER, PLAIN, 5MM	4	4		
28	94111-03000	WASHER, SPRING, 3MM	8	8		
29	94111-06000	WASHER, SPRING, 6MM	2	2		
30	94201-10080	PIN, SPLII, 1.0X10	4	4		
31	95001-35026-40	TUBE, RUBBER, 3.5X26	2	2		
32	95001-35240-40	TUBE, TUBBER, 3.5X240	2	2		
33	95002-02070	CLIP, TUBE, B7	4	4	1075862	
34	99114-246-1200	JET, MAIN (#120)	4	4		2200000
	99114-246-1100	JET, MAIN (#110)	4	4	2200001	2304500
	99114-246-1050	JET, MAIN, #105	4	4	2304501	
35	99124-300-0400	JET, SLOW #40	4	4	1044813	1132192
	99124-076-0400	JET, SLOW, (#40)	4	4		

B300-26A

Courtesy of Honda4Fun
www.hondafour.com www.honda4fun.com

F-1 R/H Handle switch • Cable

F-1 R/H Handle switch • Cable



Courtesy of Honda4Fun
www.hondafour.com www.honda4fun.com

Ref. No.	Part No.	Description	Reqd. No.		Serial No.	Area code
			CB	750 K1 K2		
1	17910-300-010	CABLE COMP., THROTTLE 17910-300-030	1		1017341	
	17910-300-030	CABLE COMP., THROTTLE	1		1017342	
2	17910-300-040	CABLE COMP. A, THROTTLE 17910-341-000	1			A,D,U
	17910-300-610	CABLE COMP. A, THROTTLE 17910-341-811	1			E,ED,F,G,H
	17910-341-000	CABLE COMP. A, THROTTLE	1			A,D
	17910-341-611	CABLE COMP. A, THROTTLE	1			E,ED,F,G
3	17920-300-000	CABLE COMP. B, THROTTLE 17920-341-000	1			A,D,U
	17920-300-610	CABLE COMP. B, THROTTLE 17920-341-811	1			E,ED,F,G,H
	17920-341-000	CABLE COMP. B, THROTTLE	1			A,D
	17920-341-611	CABLE COMP. B, THROTTLE	1			E,ED,F,G
4	35300-300-043	SWITCH ASSY., STARTER LIGHTING DIMMER KILL	1			U
	35300-300-620	SWITCH ASSY., STARTER DIMMER KILL	1			E,F,G,H
	35300-300-672	SWITCH ASSY., STARTER LIGHTING DIMMER KILL	1			A
	35300-300-053	SWITCH ASSY., STARTER LIGHTING DIMMER KILL	1			U
	35300-300-621	SWITCH ASSY., STARTER DIMMER KILL	1			E,F,G,H
	35300-300-674	SWITCH ASSY., STARTER LIGHTING DIMMER KILL	1	1		A,D
	35300-300-730	SWITCH ASSY., STARTER DIMMER KILL	1	1		ED
				1		E,F,G
5	35315-235-000	KNOB, LIGHTING SWITCH	1	1	1	
6	35317-001-310	BUTTON, HORN SWITCH PUSH	1	1	1	
7	35318-259-000	SPRING, HORN BUTTON SWITCH	1	1	1	
8	53141-240-000	PIPE, THROTTLE GRIP 95014-51100	1			
	53141-300-010	PIPE, THROTTLE GRIP	1	1		
9	53163-205-010	ADJUSTER, THROTTLE GRIP	1			1011718
	53163-300-010	ADJUSTER, THROTTLE GRIP 53163-300-020	1			1017630 1081335
	53163-300-020	ADJUSTER, THROTTLE GRIP	1	1		1081336
10	53165-283-000	RUBBER, RIGHT GRIP 95011-14100	1			
	95011-14100	GRIP, RIGHT HANDLE	1			
	53165-342-670	RUBBER, RIGHT GRIP	1			
11	53190-300-000	BOLT, THROTTLE GRIP ADJUSTING	1	1		
12	53191-300-000	SPRING, THROTTLE ADJUSTER	1	1		
13	88110-300-000	MIRROR, RIGHT BACK	1			A,E,G,H,U
	88110-074-000	MIRROR, RIGHT BACK	1	1		A,D,E,ED,H,U
	88110-304-621	MIRROR, RIGHT BACK	1	1	1	F
	88110-323-610	MIRROR, RIGHT BACK	1	1		G
14	90124-292-000	SCREW, THROTTLE GRIP ADJUST	1			1011718
			1			1017630
15	93500-05006-0A	SCREW, PAN, 5X6	1			1011719 1017629
16	93500-05025-0A	SCREW, PAN, 5X25	2	1	1	
17	93500-05032-0A	SCREW, PAN, 5X32	1	1		
18	94001-05000-0S	NUT, HEX., 5MM	1			1017630 1011718

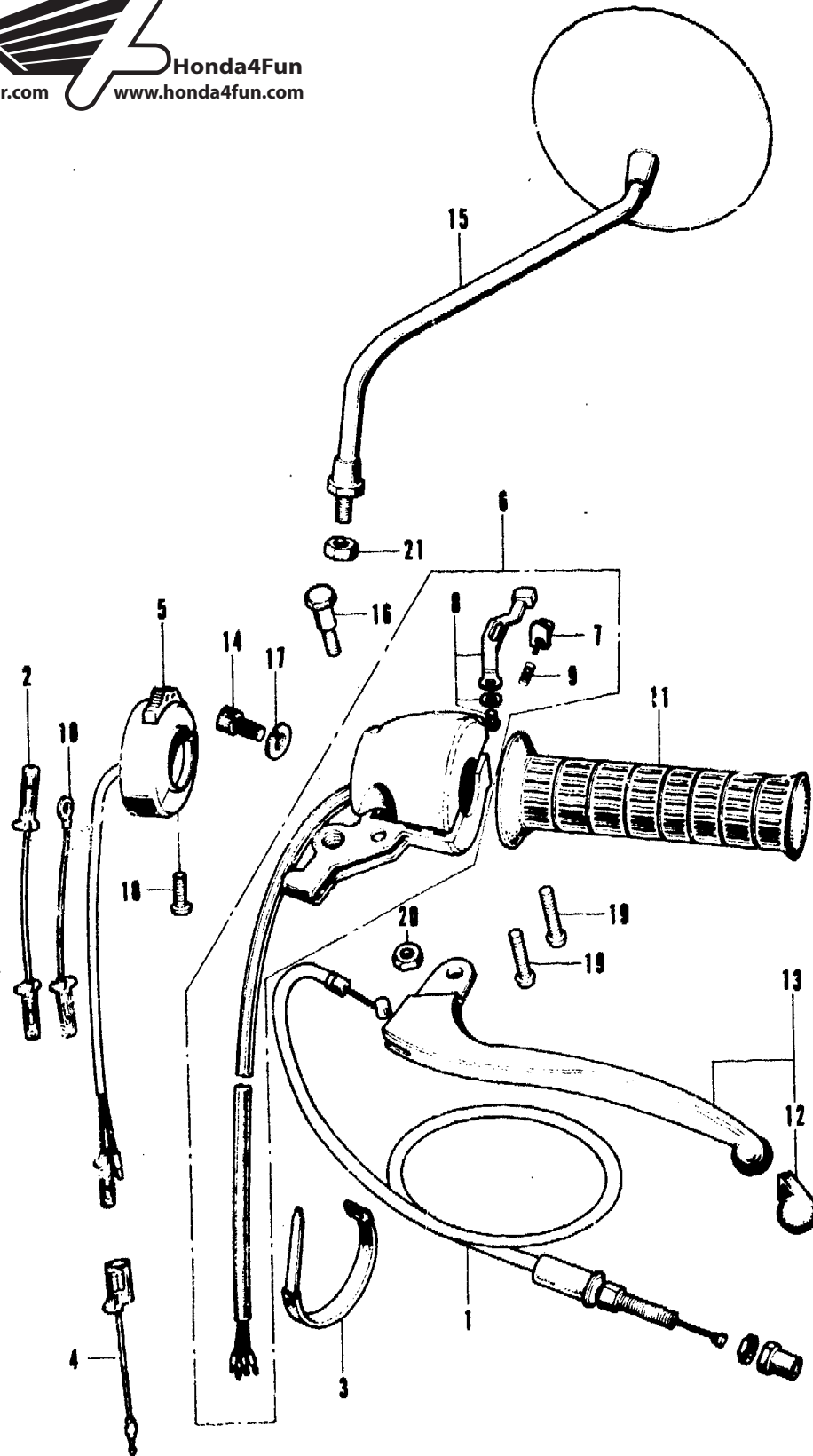
B300-40

Courtesy of Honda4Fun
www.hondafour.com www.honda4fun.com

F-2 L/H Handle switch · Cable

F-2 L/H Handle switch · Cable

Courtesy of Honda4Fun
www.hondafour.com www.honda4fun.com



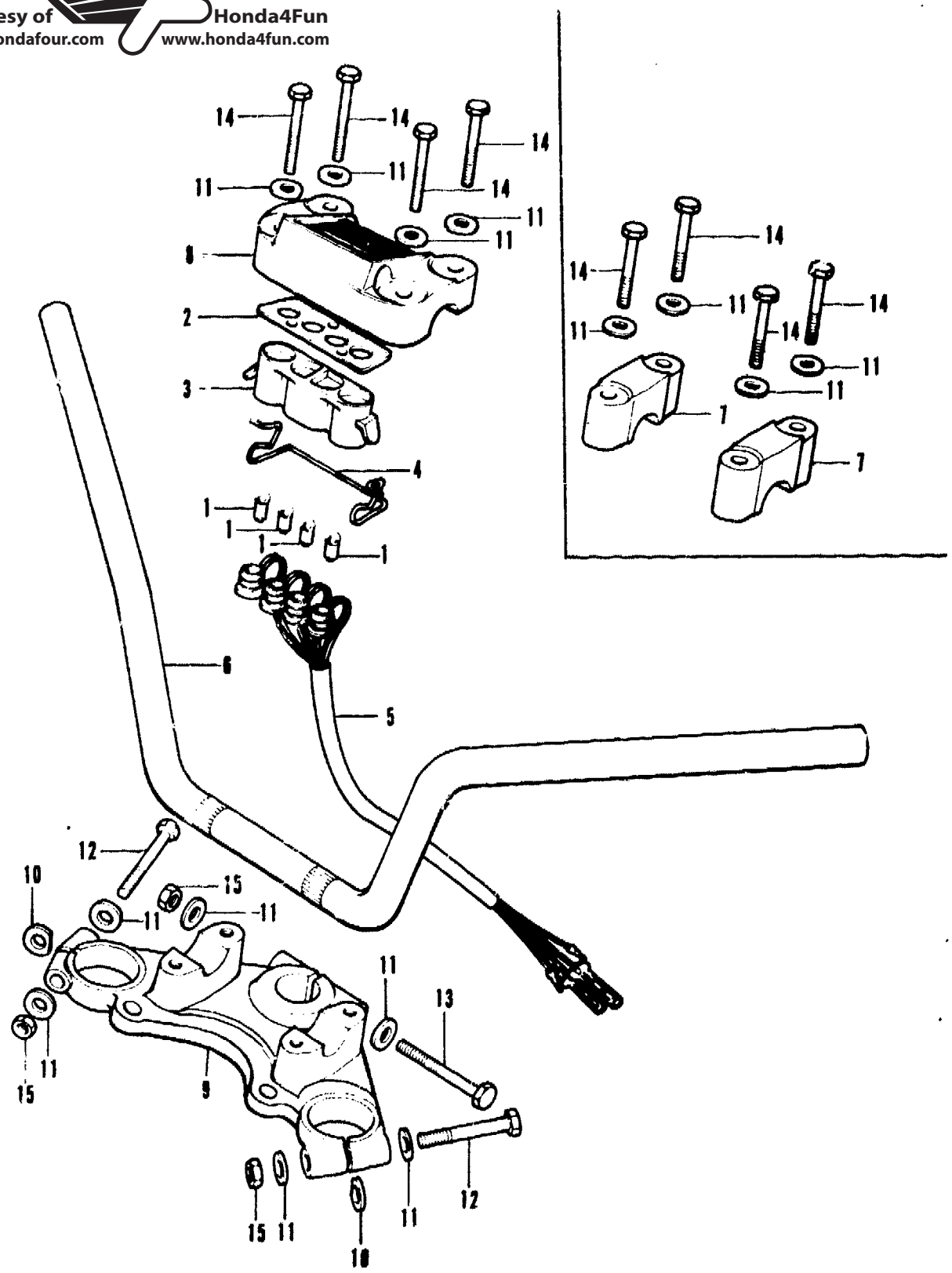
B300-41A
B300-4

Ref. No.	Part No.	Description	Reqd. No.			Serial No.	Area code
			CB	750	K1 K2		
1	22870-300-000	CABLE COMP., CLUTCH	1	1		A, D, U E, F, G, H	
	22870-300-610	CABLE COMP., CLUTCH 22870-341-610		1		E, ED, F, G, H	
	22870-341-010	CABLE COMP., CLUTCH		1		A, D	
	22870-341-610	CABLE COMP., CLUTCH		1		E, ED, F, G	
2	32101-300-620	HARNES., SUB WIRE 32100-300-620	1			1004858 F	
3	32161-268-000	BAND A, WIRE HARNESS 95014-61100	2	2			
	95014-61100	BAND A1, WIRE		2			
4	33605-341-671	CORD A, WINKER SUB		1			
5	35150-300-620	SWITCH ASSY., OPTIONAL	1	1		F	
	35150-300-730	SWITCH ASSY., LIGHTING	1	1		ED E, F, G	
6	35250-300-033	SWITCH ASSY., WINKER HORN (TOYO)	1	1		A, D, E, ED, G, H, U	
	35250-300-620	SWITCH ASSY., TURN SIGNAL HORN	1	1		F	
	35250-323-013	SWITCH ASSY., TURN SIGNAL HORN PASSING		1		D, E, ED, F, G	
	35250-341-672	SWITCH ASSY., TURN SIGNAL HORN & BUZZER		1		A	
7	35317-001-310	BUTTON, HORN SWITCH PUSH	1	1	1		
8	35317-235-000	BUTTON, HORN BUTTON PUSH 35317-310-810	1	1	1		
9	35318-259-000	SPRING, HORN BUTTON SWITCH	1	1	1		
10	38101-300-620	WIRE, HORN SUB	1			1004858 F	
11	53166-283-000	RUBBER, LEFT GRIP 95011-14200	1				
	95011-14200	GRIP, LEFT HANDLE		1			
	53166-342-670	RUBBER, LEFT GRIP		1			
12	53180-286-000	CAP, CONTROL LEVER	1	1		2095000	
13	53190-286-670	LEVER COMP., LEFT STEERING HANDLE	1	1	1	2095000	
	53190-389-700	LEVER COMP., LEFT STEERING HANDLE		1		2095001	
14	53192-268-000	BOLT, CLUTCH WIRE ADJUSTING	1	1	1		
15	88120-300-000	MIRROR, LEFT BACK 88120-300-000	1			A, E, G, H, U	
	88120-074-000	MIRROR, LEFT BACK		1	1	A, D, E, ED, H, U G	
	88120-304-621	MIRROR, LEFT BACK	1	1	1	F	
	88120-323-610	MIRROR, LEFT BACK		1		G	
16	90114-268-020	BOLT, HANDLE LEVER PIVOT	1	1	1		
17	90321-292-000	NUT, FIXING	1				
	90321-315-670	NUT, FIXING		1	1		
18	93500-04016-DA	SCREW, PAN., 4X16	1	1	1	ED, F E, ED, F, G	
19	93500-05025-0A	SCREW, PAN., 5X25	2	2	2		
20	94001-06000	NUT, HEX., 6MM	1	1	1		
21	94001-10000-0S	NUT, HEX., 10MM	2	2	2		

F-3 Handle - Top bridge

F-3 Handle - Top bridge

Courtesy of  Honda4Fun
www.hondafour.com www.honda4fun.com



Ref. No.	Part No.	Description	Reqd. No.			Serial No.	Area code
			CB	K1	K2		
1	34902-259-000	BULB, DUSH (12V 3.4W)			4		
2	37576-323-000	BASE, LAMP SOCKET			1		
3	37577-341-000	SOCKET, PILOT LAMP			1		
4	37579-341-010	SPRING, LAMP SOCKET SET			1		
5	37581-323-000	CORR COMP., PILOT LAMP			1		
6	53100-300-000	PIPE, STEERING HANDLE	1	1			A, D, U E, F, G, H
	53100-300-610	PIPE, STEERING HANDLE		1	1		E, F, G, H
	53100-341-000	PIPE, STEERING HANDLE			1		A, D
7	53131-300-000	HOLDER, UPPER HANDLE 93014-22200	2	2			
8	53133-323-000	HOLDER, UPPER			1		
9	53230-300-010	BRIDGE, FORK TOP 53230-300-020	1			1003433	
	53230-300-020	BRIDGE, FORK TOP 53230-300-673	1			1003434	
	53230-300-673	BRIDGE, FORK TOP	1			1003434	
10	53235-300-000	SPACER, FORK TOP BRIDGE	2	2	2		
11	90555-283-000	WASHER, SPECIAL, 8MM	10	10	10		
12	92000-08056-08	BOLT, HEX., 8X56	2	2	2		
13	92000-08074-08	BOLT, HEX., 8X74	1	1	1		
14	93000-08040-08	BOLT, HEX., 8X40	4	4			
	93100-08040-08	BOLT, HEX., 8X40			4		
15	94001-08020-05	NUT, HEX., 8MM	3	3	3		

300-42A

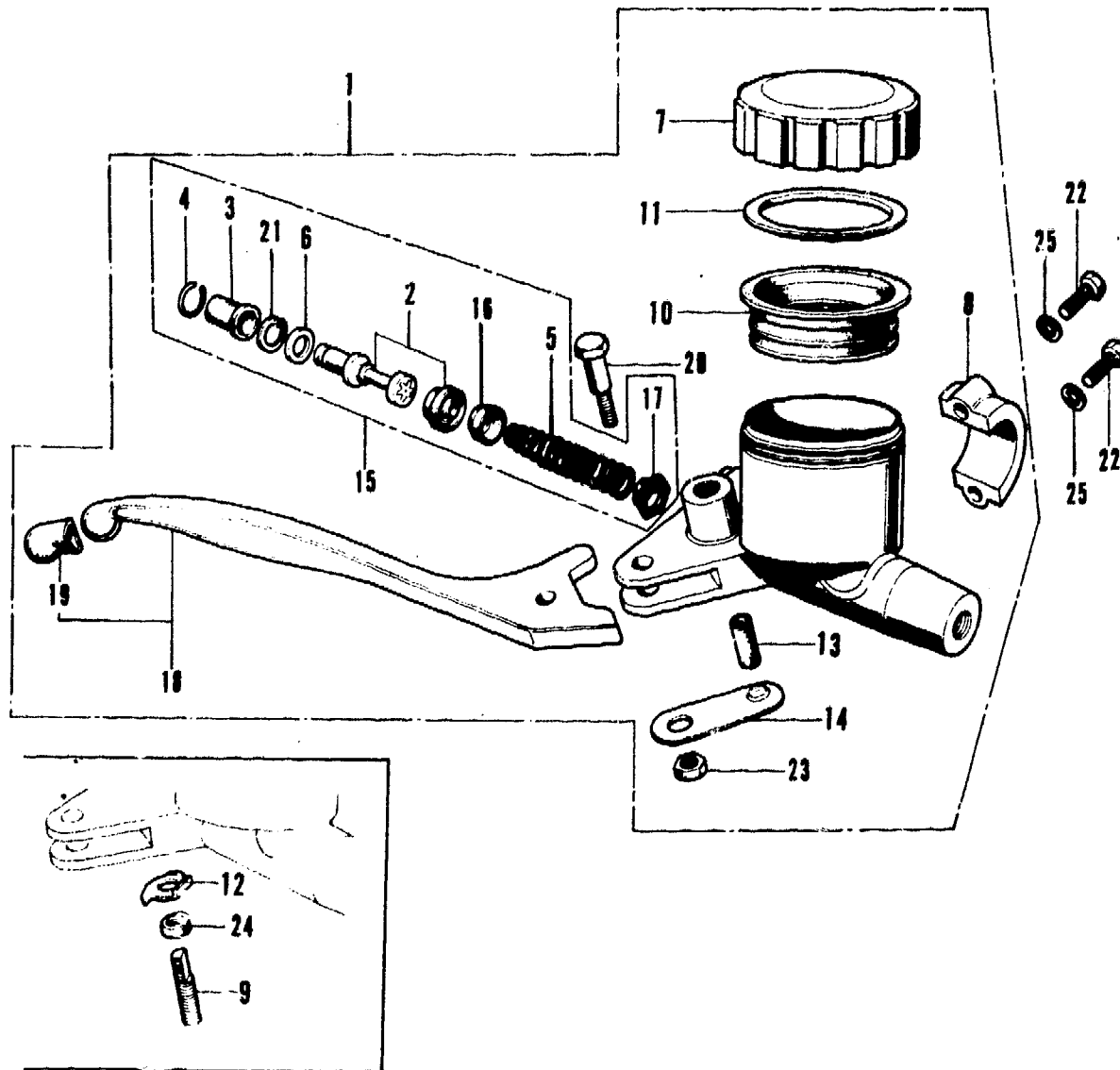
Courtesy of  Honda4Fun
www.hondafour.com www.honda4fun.com

F-4 Brake master cylinder



F-4 Brake master cylinder

Courtesy of  Honda4Fun
www.hondafour.com www.honda4fun.com

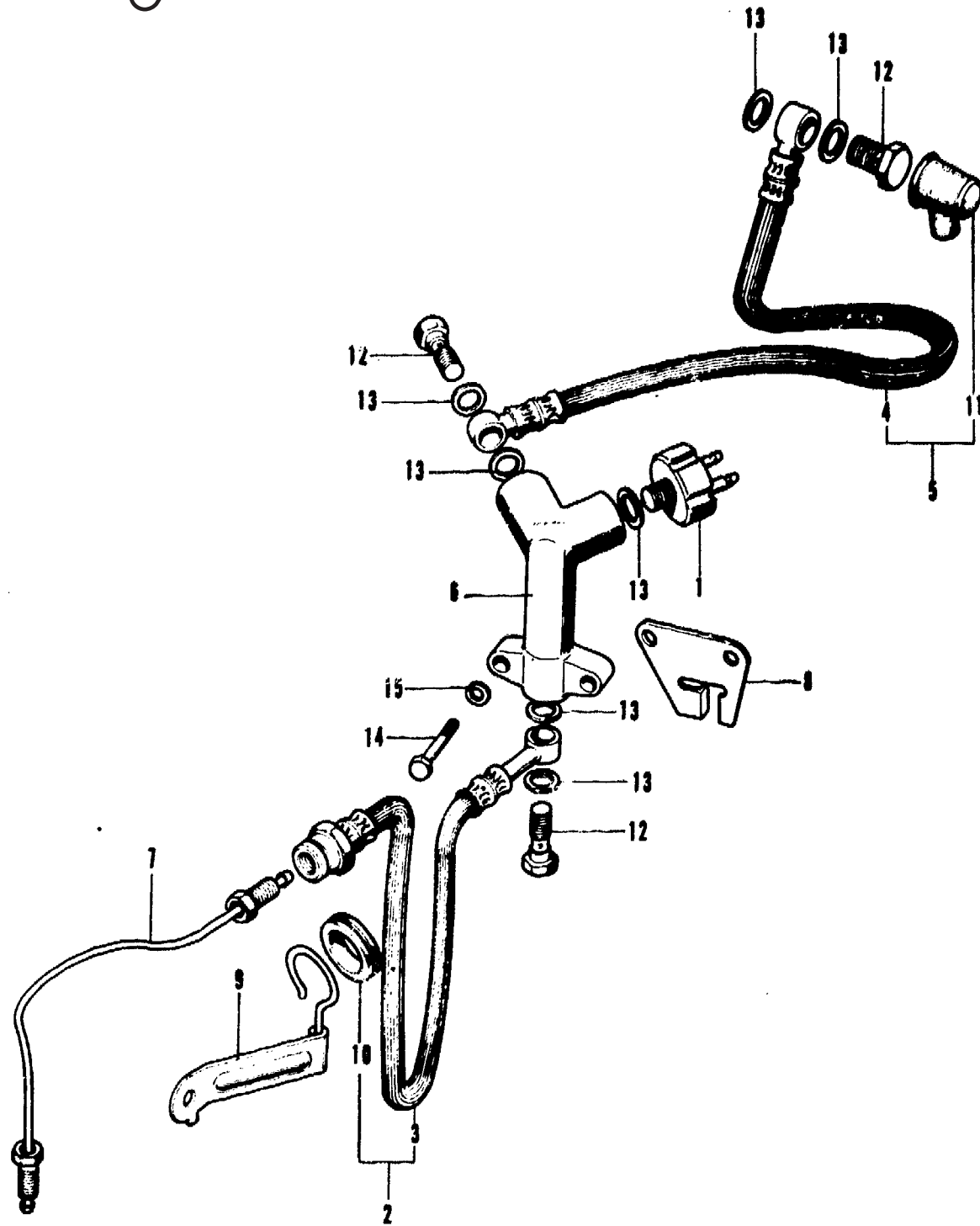


Ref. No.	Part No.	Description	Reqd. No.			Serial No.	Area code
			CB	K1	K2		
1	45500-300-030	CYLINDER ASSY., MASTER 45500-300-040	1				A;E;G;H;U
	45500-300-621	CYLINDER ASSY., MASTER 45500-300-622	1				F
	45500-300-040	CYLINDER ASSY., MASTER 45500-300-050	1			1071335	A;D;E;EU;G;H;U
	45500-300-622	CYLINDER ASSY., MASTER 45500-300-623	1			1071335	F
	45500-300-050	CYLINDER ASSY., MASTER	1			1071336	A;D;E;EU;G;H;U
	45500-300-623	CYLINDER ASSY., MASTER 45500-341-620	1			1071336	F
	45500-341-620	CYLINDER ASSY., MASTER	1				ED;F
	45500-341-671	CYLINDER ASSY., MASTER	1			2023544	A;D;E;G
	45500-341-770	CYLINDER ASSY., MASTER	1			2023545	A
2	45502-300-305	PISTON SET	1	1	1		
3	45504-300-003	BOOT	1	1	1		
4	45505-300-003	STOPPER, BOOT	1	1	1		
5	45506-300-003	SPRING COMP.	1	1	1		
6	45512-300-003	WASHER, 10.5MM	1	1	1		
7	45513-300-020	CAP, OIL CUP	1	1			
	45513-341-671	CAP, OIL CUP	1				2023544
	45513-341-770	CAP, OIL CUP	1			2023545	A
8	45517-300-003	HOLDER, MASTER CYLINDER	1	1	1		
9	45518-300-003	BOLT, LEVER ADJUSTING	1				
10	45520-300-000	DIAPHRAGM	1	1	1		
11	45521-300-000	PLATE, DIAPHRAGM 45521-300-010	1				1000268
	45521-300-010	PLATE, DIAPHRAGM	1	1	1		1000269
12	45525-300-000	WASHER, MASTER CYLINDER TONGUED	1				1027687
13	45526-300-000	BUSH, RIGHT HANDLE LEVER 45526-341-000	1				
	45526-341-000	BUSH, RIGHT HANDLE LEVER	1				
14	45527-300-000	PLATE, LEVER BUSH SETTING	1	1			
15	45530-377-305	CYLINDER SET, MASTER	1	1	1		
16	46125-533-003	CUP, PRIMARY	1	1	1		
17	46140-533-003	VALVE, CHECK	1	1	1		
18	53170-300-000	LEVER COMP., RIGHT STEERING HANDLE	1	1	1		
19	53180-286-000	CAP, CONTROL LEVER	1	1	1		2095000
20	90114-300-000	BOLT, HANDLE LEVER PIVOT	1	1	1		
21	90651-377-003	CIR CLIP, INTERNAL, 18MM	1	1	1		
22	92000-06025-02	BOLT, HEX., 6X25	2	2	2		
23	94002-06000	NUT, HEX., 6MM	1	1	1		
24	94002-08000-05	NUT, HEX., 8MM	1				
25	94101-06000	WASHER, PLAIN, 6MM	2	2	2		

Courtesy of  Honda4Fun
www.hondafour.com www.honda4fun.com

F-5 Front brake hose

F-5 Front brake hose

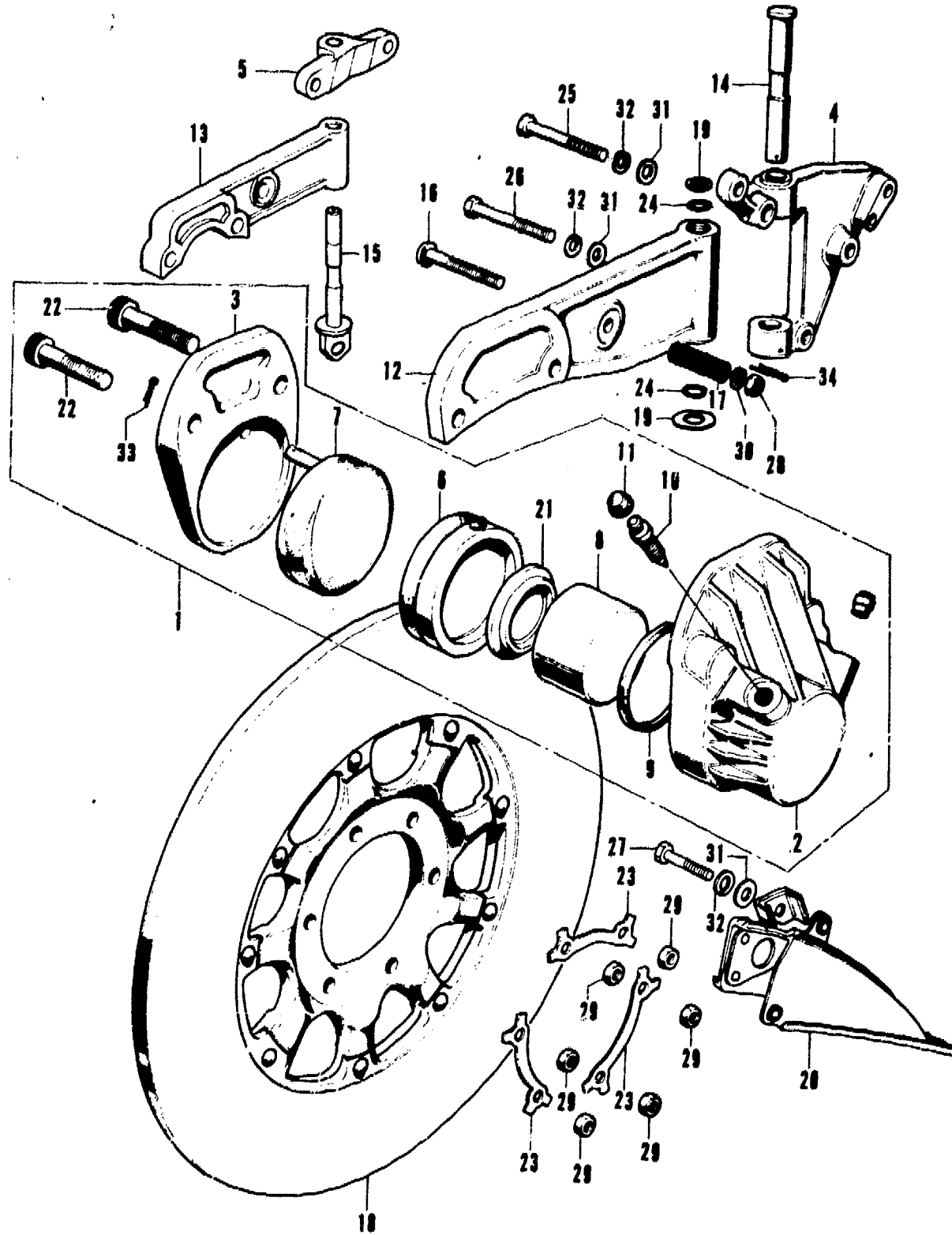


Ref. No.	Part No.	Description	Reqd. No.		Serial No.	Area code
			CB	750 K1 K2		
1	35350-300-006	SWITCH ASSY, STOP	1	1	1095605	
	35350-300-016	SWITCH, STOP (NAILS)	1	1	1095606	
2	45125-300-003	HOSE ASSY., A, FRONT BRAKE (NICHIRIN)	1	1	2101677	
3	45125-300-010	HOSE A, FRONT BRAKE	1	1	1071335	
	45125-300-020	HOSE A, FRONT BRAKE	1	1	1071336	2101676
4	45126-300-020	HOSE B, FRONT BRAKE	1	1	1071335 A, D, U	
	45126-300-610	HOSE B, FRONT BRAKE	1	1	1071335 E, ED, F, G, H	
	45126-300-030	HOSE B, FRONT BRAKE	1	1	1071336	A, D, U
	45126-300-611	HOSE B, FRONT BRAKE	1	1	1071336	E, ED, F, G, H
	45126-341-000	HOSE B, FRONT BRAKE	1	1	2101676	A, D
5	45126-300-612	HOSE ASSY., B, FRONT BRAKE (NICHIRIN)	1	1	2101677	E, ED, F, G
	45126-341-003	HOSE ASSY., B, FRONT BRAKE (NICHIRIN)	1	1	2101677	A, D
6	45127-300-020	JOINT, THREE WAY	1	1	1	
7	45128-300-010	PIPE B, FRONT BRAKE	1	1	1	2093730
	45128-341-670	PIPE B, FRONT BRAKE	1	1	2093731	
8	45129-300-000	GUIDE, FRONT BRAKE HOSE	1	1	1003951	
9	45145-300-020	CLIP, BRAKE HOSE	1	1	1	
10	45146-300-000	GROMMET, BRAKE HOSE	1	1	1	
11	45522-300-010	BOOT, MASTER CYLINDER	1	1	1002721	
12	90145-300-000	BOLT, OIL	3	3	3	
13	90545-300-000	WASHER, OIL BOLT	7	7	7	
14	92000-06028	BOLT, HEX., 6X28	2	2	2	
15	94111-06000	WASHER, SPRING, 6MM	4	4	4	

F-6 Front brake caliper - Disk

F-6 Front brake caliper - Disk

Courtesy of  Honda4Fun
www.hondafour.com www.honda4fun.com



Ref. No.	Part No.	Description	Reqd. No.			Serial No.	Area code
			CB	750	K1 K2		
1	45100-300-023	CALIPER ASSY. (TOKIKO) 45100-300-023a		1			
	45100-300-023M	CALIPER ASSY. (TOKIKO) 45100-341-003		1			
	45100-341-003	CALIPER ASSY. (TOKIKO)		1			
2	45101-300-033	CALIPER A (TOKIKO) 45101-300-043		1			
	45101-300-043	CALIPER A (TOKIKO) 45101-300-053		1		1071335	
	45101-300-053	CALIPER A (TOKIKO)		1		1071336	
3	45102-300-033	CALIPER B (TOKIKO) 45102-300-043		1			
	45102-300-043	CALIPER B (TOKIKO)		1	1		
4	45104-300-040	JOINT, CALIPER HOLDER	1	1	1		2093730
5	45104-317-700	JOINT, CALIPER HOLDER		1			2093731
6	45105-300-040	PAD COMP. A 45105-341-000		1			
	45105-341-000	PAD COMP. A			1		
7	45106-300-040	PAD COMP. B 45106-341-000	1	1			
	45106-341-000	PAD B			1		
8	45107-300-003	PISTON (TOKIKO)	1	1	1		
9	45108-300-003	SEAL, PISTON (TOKIKO)	1	1	1		
10	45109-300-003	BLEEDER	1	1	1		
11	45110-300-003	CAP, BLEEDER SCREW (TOKIKO)	1	1	1		
12	45115-300-030	HOLDER, CALIPER	1	1	1		2093730
13	45115-341-670	HOLDER, CALIPER		1			2093731
14	45116-300-030	PIN, CALIPER HOLDER	1	1	1		2093730
15	45116-323-020	PIN, CALIPER HOLDER		1			2093731
16	45117-300-020	BOLT, CALIPER ADJUSTING	1	1	1		2093730
	45117-341-700	BOLT, CALIPER ADJUSTING		1			2093731
17	45119-300-020	SPRING, CALIPER ADJUSTING	1	1	1		
18	45120-300-040	DISK COMP., FRONT BRAKE 45120-341-000	1	1			
	45120-341-000	DISK COMP., FRONT BRAKE			1		
19	45131-300-305	WASHER A, CALIPER (0.1MM)	N	N	N		2093730
	45132-300-305	WASHER B, CALIPER (0.2MM)	N	N	N		2093730
20	45140-341-670	COVER COMP., DISK		1			2093731
21	45151-300-000	SEAT, PAD	1	1	1		
22	90165-300-023	BOLT, CALIPER SETTING (TOKIKO)	2	2	2		

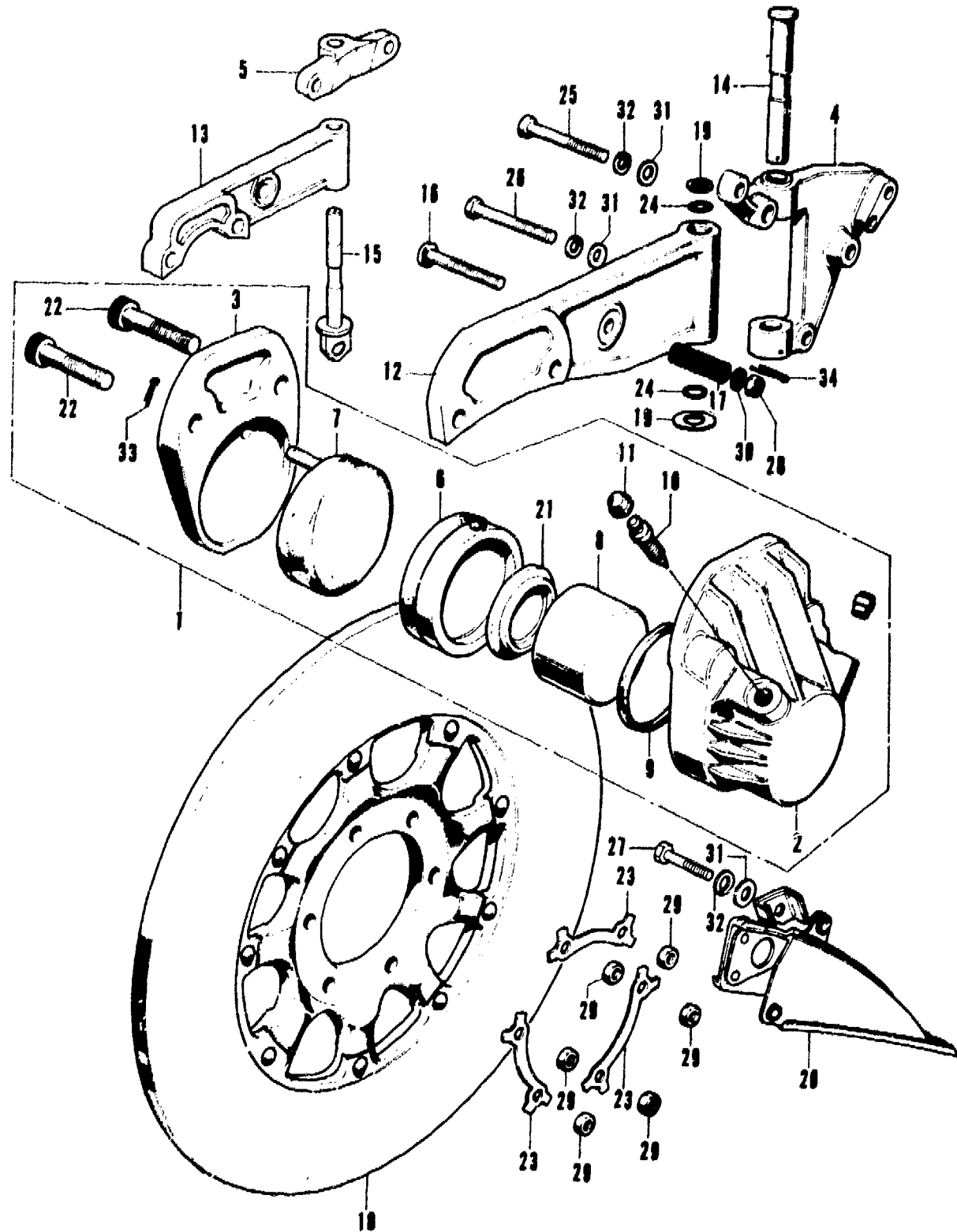
300-88A

Courtesy of  Honda4Fun
www.hondafour.com www.honda4fun.com

F-6 Front brake caliper - Disk

F-6 Front brake caliper - Disk

Courtesy of  Honda4Fun
www.hondafour.com www.honda4fun.com



Ref. No.	Part No.	Description	Reqd. No.			Serial No.	Area code
			CB	750 K1	K2		
23	90522-300-010	WASHER, TONGUED, 8MM	3	3	3		
24	91259-300-000	O-RING, 10X1.7	2	2	2		
25	92000-08040-0A	BOLT, HEX, 8X40	2	2	2		2093730
26	92000-08050-0A	BOLT, HEX., 8X50	1	1	1		2093730
27	92200-08035-0A	BOLT, HEX., 8X35		1		2093731	
28	94001-06000	NUT, HEX., 6MM	1	1	1		
29	94001-08000-05	NUT, HEX., 8MM	6	6	6		
30	94101-06000	WASHER, PLAIN, 6MM	1	1	1		
31	94101-08000	WASHER, PLAIN, 8MM	3	3	3		2093730
32	94111-08000	WASHER, SPRING, 8MM	3	3	3		2093730
33	94201-16120	PIN, SPLIT, 1.6X12	1	1	1		
34	94201-25300	PIN, SPLIT, 2.5X30	1	1	1		2093730

300-88A

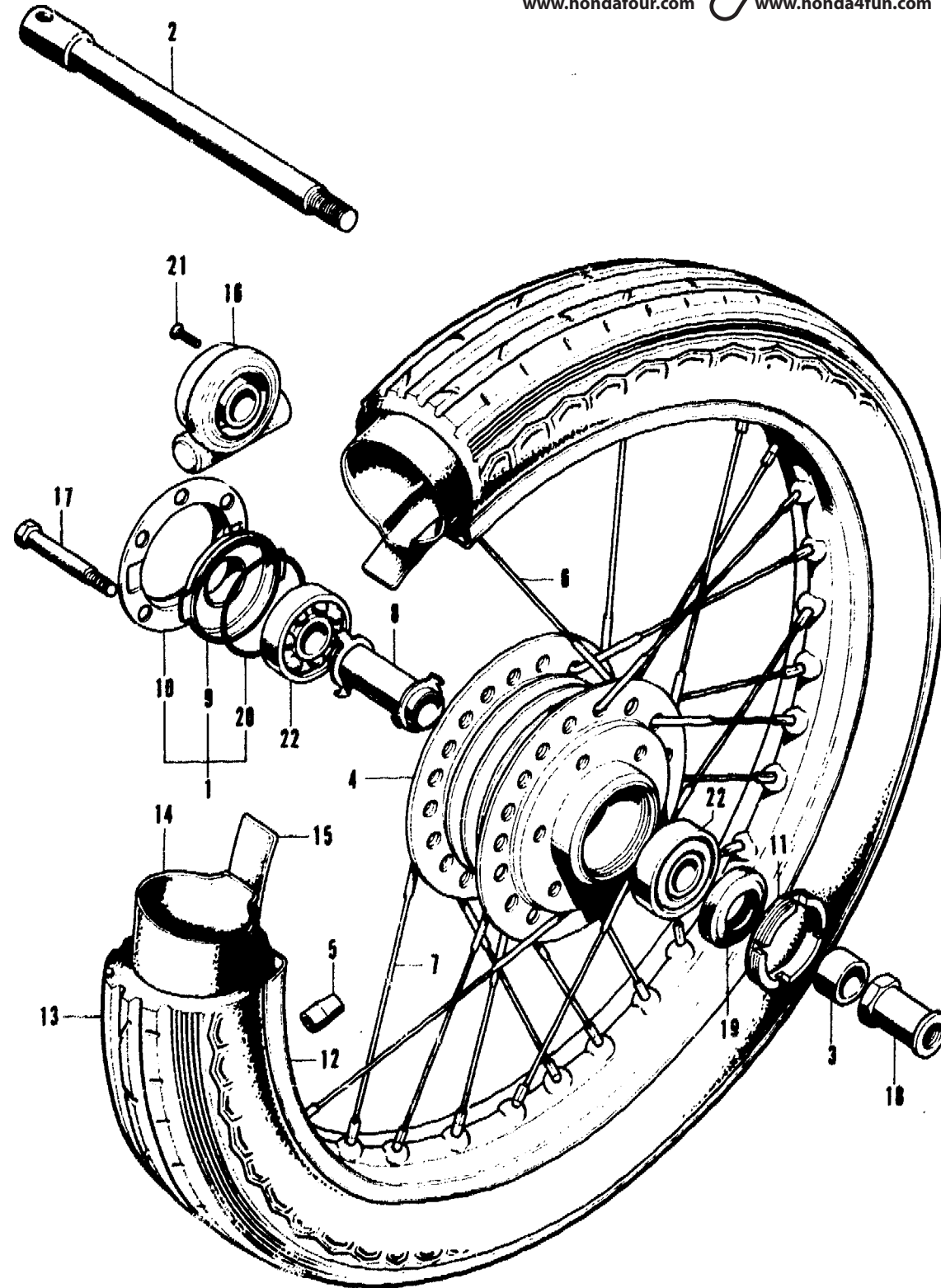
Courtesy of  Honda4Fun
www.hondafour.com www.honda4fun.com

F-7 Front wheel

F-7 Front wheel



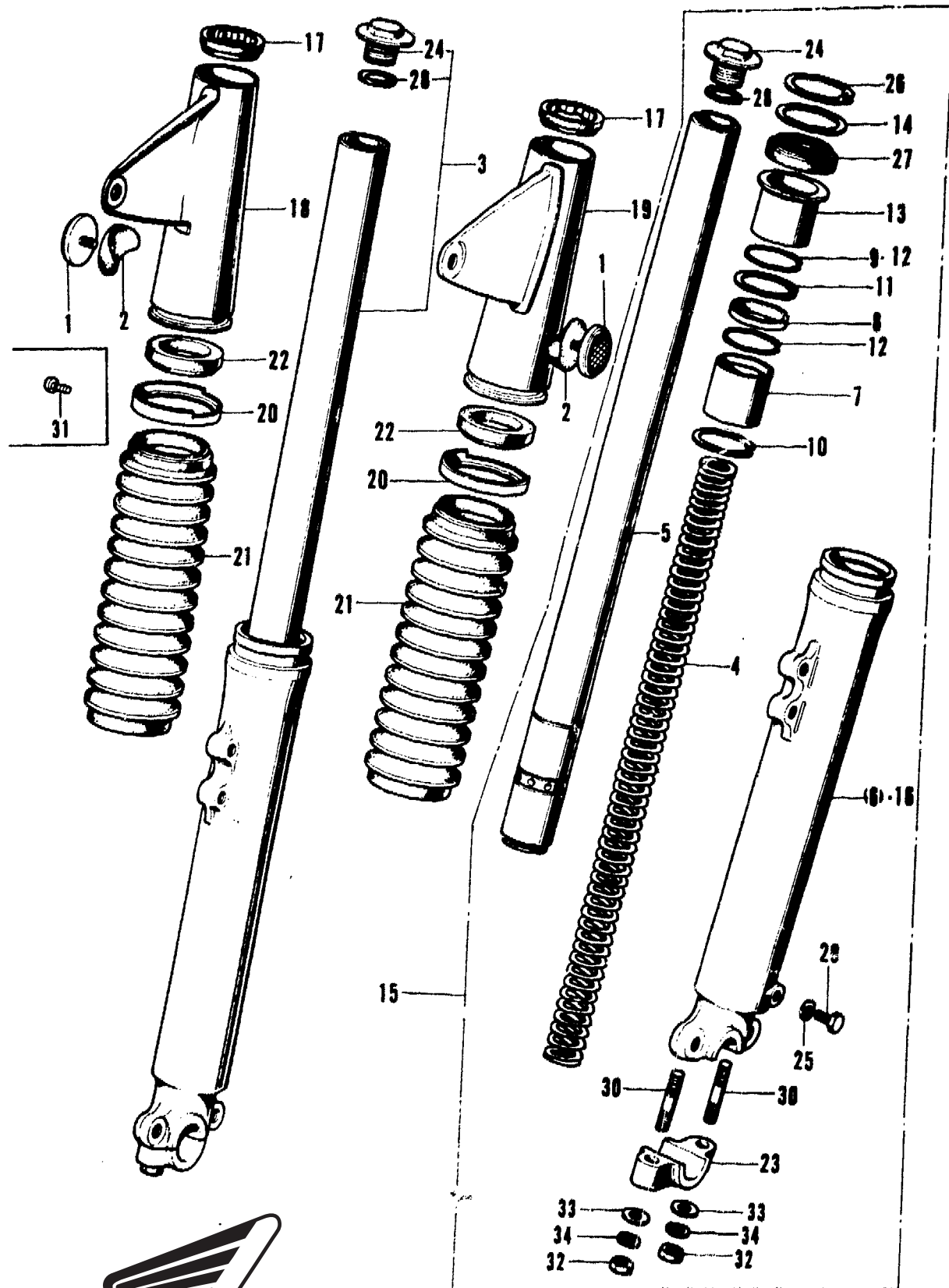
 Courtesy of www.hondafour.com www.honda4fun.com



Ref. No.	Part No.	Description	Reqd. No.		Serial No.	Area code
			CB	750 K1 K2		
1	44064-300-000	RETAINER SET, GEAR BOX	1		1058489	
2	44301-300-000	AXLE, FRONT WHEEL	1	1 1		
3	44311-300-000	COLLAR, FRONT WHEEL SIDE	1	1 1		
4	44601-300-030	HUB, FRONT WHEEL	1			
	44601-300-040	HUB, FRONT WHEEL	1	1		
5	44606-283-000	BALANCER (20G)	N	N N		
	44607-283-000	BALANCER (15G)	N	N N		
	44608-283-000	BALANCER (10G)	N	N N		
	44609-283-000	BALANCER (5G)	N	N N		
6	44606-300-003	SPOKE A, FRONT (DAIDO)	20	20 20		
7	44607-300-003	SPOKE W, FRONT (DAIDO)	20	20 20		
8	44620-300-020	COLLAR, FRONT AXLE DISTANCE	1	1 1		
9	44641-300-000	RETAINER, GEAR BOX	1			
	44641-300-010	RETAINER, GEAR BOX 44064-300-000	1		1058489	
	44641-300-020	RETAINER, GEAR BOX 44641-341-000	1		1058490	
	44641-341-000	RETAINER, GEAR BOX	1			
10	44642-300-000	COVER, GEAR BOX RETAINER	1		1044649	
	44642-300-010	COVER, GEAR BOX RETAINER 44064-300-000	1		1058489	
	44642-300-020	COVER, GEAR BOX RETAINER	1	1	1058490	
11	44643-300-000	RETAINER, FRONT WHEEL BEARING	1	1 1		
12	44701-300-013	RIM, FRONT WHEEL (19 DAIDO)	1	1 1		
13	44711-300-003	TIRE, FRONT WHEEL (3.25-19) (BS)	1			
	44711-300-004	TIRE, FRONT WHEEL (3.25-19) (DUNLOP)	1		1095605	
	44711-300-014	TIRE, FRONT WHEEL (3.25-19) (DUNLOP)	1	1	1095605	
	44711-300-013	TIRE, FRONT WHEEL (3.25-19 MS)	1	1	1095606	2101115
	44711-300-014	TIRE, FRONT WHEEL (3.25-19) (DUNLOP)	1	1	1095606	2101115
	44711-341-003	TIRE, FRONT WHEEL (325H19)	1		2101116	
	44711-341-004	TIRE, FRONT WHEEL (325H19)	1		2101116	
14	44712-300-000	TUBE, FRONT WHEEL (3.25-19)	1	1 1		
15	44713-300-000	FLAP, FRONT TUBE (19)	1	1 1		
16	44800-300-020	BOX ASSY., SPEEDOMETER GEAR 44800-300-030	1			
	44800-300-030	BOX ASSY., SPEEDOMETER GEAR	1	1		
17	90122-300-010	BOLT, 8X106	6			
	90122-300-020	BOLT, 8X102	6	6	1044650	
18	90301-300-000	NUT, FRONT AXLE	1	1 1		
19	91252-300-003	DUST SEAL, 22X36X8	1	1 1		
20	91302-300-000	O-RING, 58X2	1	1	1058490	
21	93700-05015-0A	SCREW, OVAL, 5X15	1	1 1		
22	96140-63020	BEARING, BALL, 6302	2	2 2		

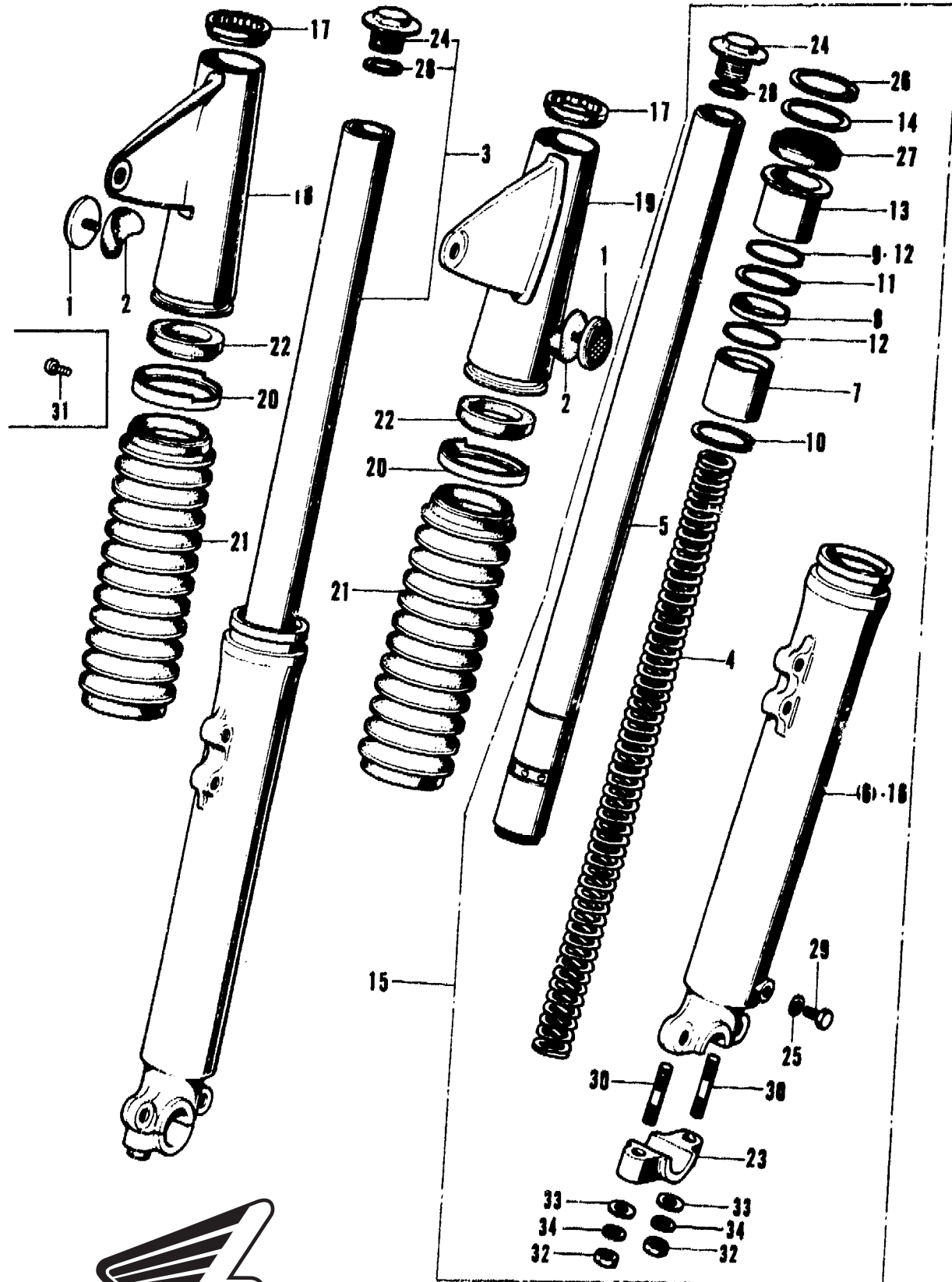
F-8 Front cushion

F-8 Front cushion



Ref. No.	Part No.	Description	Reqd. No.		Serial No.	Area code
			CB	750 K1 K2		
1	33741-286-670	REFLECTOR, FRONT REFLEX	2	2		
	33741-340-670	REFLECTOR, FRONT REFLEX		2	2093730	A>D>E>U>G
2	33743-286-670	BASE, FRONT REFLEX REFLECTOR	2	2		
	33743-341-670	BASE, FRONT REFLEX REFLECTOR		2	2093730	A>D>E>U>G
3	51400-300-030	FORK ASSY., RIGHT FRONT	1	1	1	2093730
4	51401-300-000	SPRING, FRONT CUSHION	2	2	2	2093730
	51410-300-010	PIPE, FRONT FORK	2			1039119
5	51410-300-020	PIPE, FRONT FORK	2	2	2	1039120
	51420-300-040	CASE, RIGHT FRONT FORK BOTTOM	1			1039119
6	51420-319-000	CASE, RIGHT FRONT FORK BOTTOM	1		1	1039120
	51420-319-010	CASE, RIGHT FRONT FORK BOTTOM	1	1	1	2093730
7	51442-300-000	PISTON, FRONT FORK	2			1039119
	51442-319-000	PISTON, FRONT FORK	2	2	2	1039120
8	51443-273-000	VALVE, FRONT DAMPER	2	2	2	2093730
	51444-273-000	RING, FRONT FORK STOPPER	2			1039119
10	51445-273-000	RING, FRONT FORK PISTON SNAP	2			1039119
	51445-319-000	RING, FRONT FORK PISTON SNAP	2	2	2	1039120
11	51446-273-000	RING, FORK VALVE STOPPER	2	2	2	2093730
	51447-273-000	RING, PISTON STOPPER	2	4	4	1039120
13	51451-300-000	GUIDE, FRONT FORK PIPE	2			1039119
	51451-319-000	GUIDE, FRONT FORK PIPE	2	2	2	1039120
14	51452-319-000	RING, BACK UP	2			1039120
	51452-319-010	RING, BACK UP	2	2	2	2093730
15	51500-300-030	FORK ASSY., LEFT FRONT	1	1	1	2093730
16	51520-300-040	CASE COMP., LEFT FRONT FORK BOTTOM	1			1039119
	51520-319-000	CASE COMP., LEFT FRONT FORK BOTTOM	1		1	1039120
17	51520-319-010	CASE COMP., LEFT FRONT FORK BOTTOM	1		1	2093730
	51601-300-000	CUSHION, FORK COVER UPPER	2	2	2	2093730

F-8 Front cushion



B300-47A

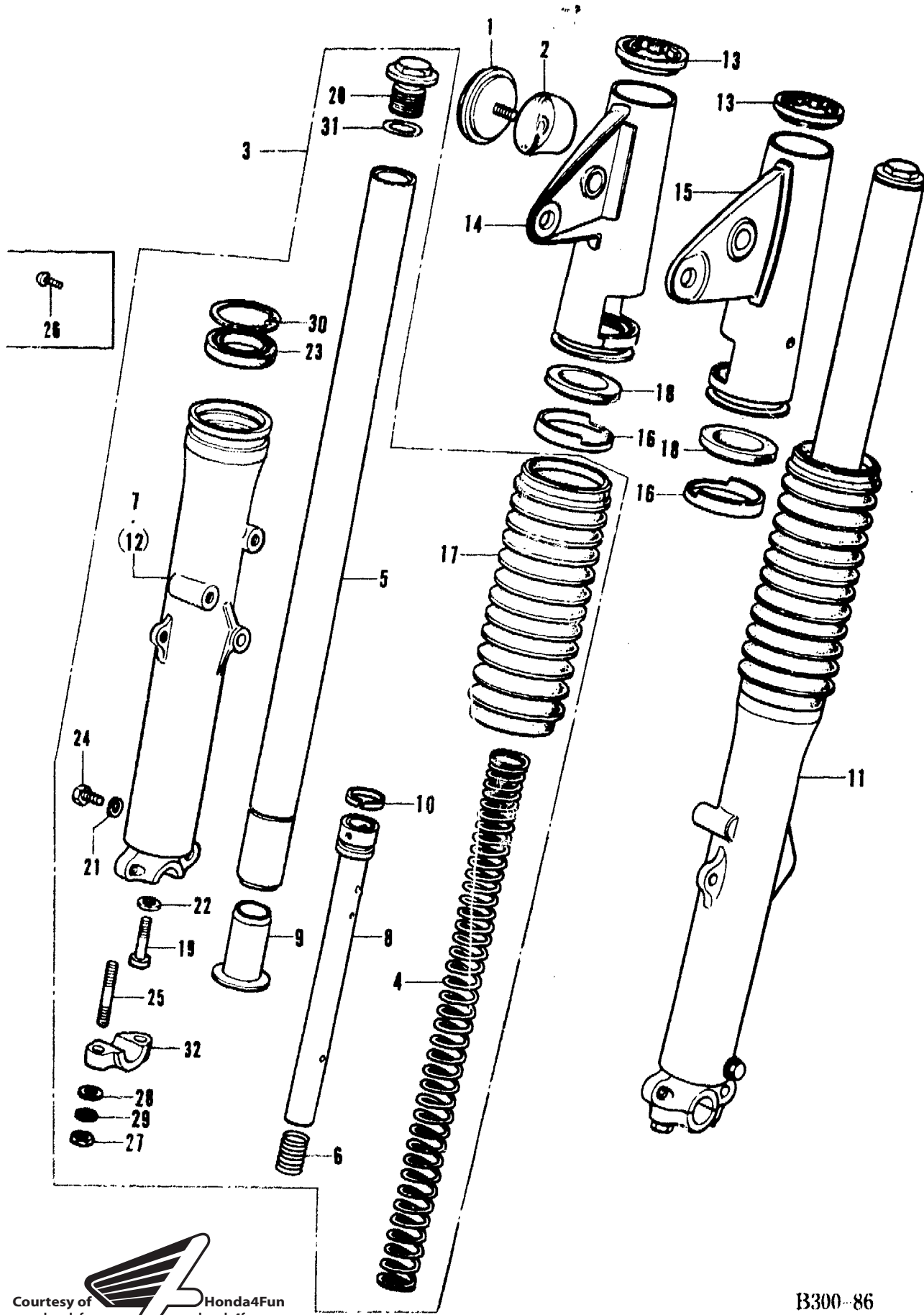
F-8 Front cushion

Ref. No.	Part No.	Description	Reqd. No. CB 750 K1 K2	Serial No.	Area code
18	51602-300-672AZ	COVER, RIGHT FRONT FORK UPPER	1 1		
	51602-300-672CM	COVER, RIGHT FRONT FORK UPPER	1 1		
	51602-300-672CB	COVER, RIGHT FRONT FORK UPPER	1 1	1019210	
	51602-300-672EE	COVER, RIGHT FRONT FORK UPPER	1		
	51602-300-672EF	COVER, RIGHT FRONT FORK UPPER	1		
	51602-300-672EG	COVER, RIGHT FRONT FORK UPPER	1		
	51602-300-672Z	COVER, RIGHT FRONT FORK UPPER	1 1		
	51602-341-670XM	COVER, RIGHT FRONT FORK UPPER	1	2093730	
19	51606-300-672AZ	COVER, LEFT FRONT FORK UPPER	1 1		
	51606-300-672CM	COVER, LEFT FRONT FORK UPPER	1 1		
	51606-300-672CB	COVER, LEFT FRONT FORK UPPER	1 1	1019210	
	51606-300-672EE	COVER, LEFT FRONT FORK UPPER	1		
	51606-300-672EF	COVER, LEFT FRONT FORK UPPER	1		
	51606-300-672EG	COVER, LEFT FRONT FORK UPPER	1		
	51606-300-672Z	COVER, LEFT FRONT FORK UPPER	1 1		
	51606-341-000XM	COVER, LEFT FRONT FORK UPPER	1	2093730	D, E, F, G
	51606-341-670XM	COVER, LEFT FRONT FORK UPPER	1	2093730	A
20	51608-300-000	RIB, FRONT FORK	2 2 2	2093730	
21	51611-300-000	BOOT, FRONT FORK	2 2 2	2093730	
22	51622-292-010	CUSHION, FRONT FORK COVER LOWER	2 2 2	2093730	
23	51634-292-000	HOLDER, FRONT AXLE 95014-41000	2 2 2	2093730	
24	90123-300-000	BOLT, FRONT FORK	2 2 2	2093730	
25	90543-273-000	PACKING, FRONT FORK DRAIN COCK	2 2 2	2093730	
26	90601-292-000	CIR CLIP, INTERNAL, 47MM	2	1039119	
	90601-319-000	CIR CLIP, INTERNAL, 47MM	2	1039120	
	94521-50000	CIR CLIP, INTERNAL, 50MM	2	2093730	
27	91255-300-013	OIL SEAL, 35X46X11	2		
	91255-300-023	OIL SEAL, 35X48X11	2	2093730	
	91255-300-025	OIL SEAL, 35X48X11	2	2093730	
28	91256-300-003	O-RING, 23X2-B 94608-50000	2 2 2	2093730	
29	92000-06010	BOLT, HEX., 6X10	2 2 2	2093730	
30	92700-08049	BOLT, STUD, 8X49	4 4 4	2093730	
31	93500-06004-02	SCREW, PAN, 6X6	2	2093730	F
32	94030-08000	NUT, HEX., 8MM	4 4 4	2093730	
33	94101-08000	WASHER, PLAIN, 8MM	4 4 4	2093730	
34	94111-08000	WASHER, SPRING, 8MM	4 4 4	2093730	

E 10

F-9 Front cushion

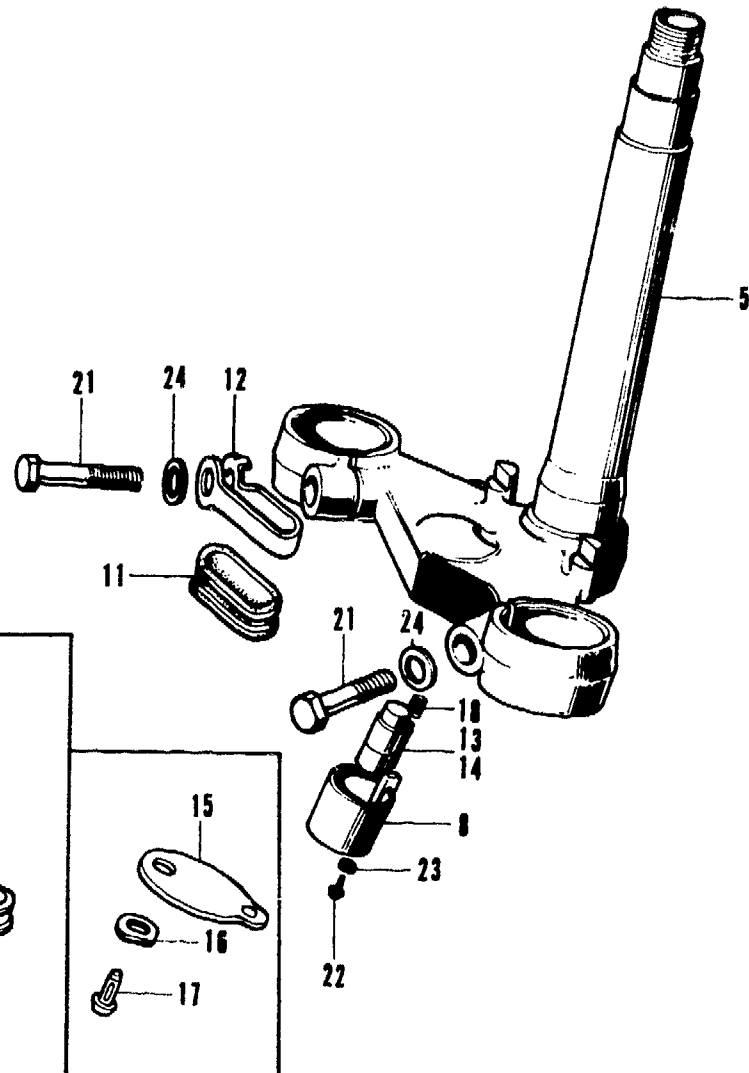
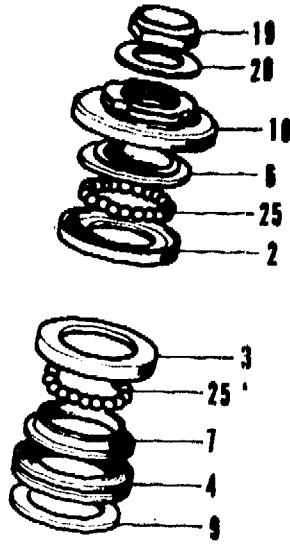
F-9 Front cushion



Ref. No.	Part No.	Description	Reqd. No.		Serial No.	Area code
			CB	K1 K2		
1	33741-340-670	REFLECTOR, FRONT REFLEX	2	2093731		A, D, E, F, G
2	33743-341-670	BASE, FRONT REFLEX REFLECTOR	2	2093731		A, D, E, F, G
3	51400-341-701	FORK ASSY., RIGHT FRONT 51400-341-702	1	2093731	2102150	
	51400-341-702	FORK ASSY., RIGHT FRONT	1	2102151		
4	51401-341-700	SPRING, FRONT CUSHION	2	2093731		
5	51410-341-702	PIPE, FRONT FORK	2	2093731		
6	51412-340-000	SPRING, FRONT FORK REBOUND	2	2093731		
7	51421-341-701	CASE, RIGHT FRONT FORK BOTTOM	1	2093731		
8	51430-341-701	PIPE COMP., BOTTOM	2	2093731		
9	51432-340-000	PIECE, OIL LOCK	2	2093731		
10	51437-329-010	RING, PISTON	2	2093731		
11	51500-341-701	FORK ASSY., LEFT FRONT 51500-341-702	1	2093731	2102150	
	51500-341-702	FORK ASSY., LEFT FRONT	1	2102151		
12	51521-341-701	CASE, LEFT FRONT FORK BOTTOM	1	2093731		
13	51601-300-000	CUSHION, FORK COVER UPPER	2	2093731		
14	51602-341-670XW	COVER, RIGHT FRONT FORK UPPER	1	2093731		
15	51606-341-000XW	COVER, LEFT FRONT FORK UPPER 51606-341-670XW	1	2093731		D, E, F, G
	51606-341-670XW	COVER, LEFT FRONT FORK UPPER	1	2093731		A
16	51608-300-000	RIB, FRONT FORK	2	2093731		
17	51611-300-000	BOOT, FRONT FORK	2	2093731		
18	51622-292-010	CUSHION, FRONT FORK COVER LOWER	2	2093731		
19	90116-283-010	BOLT, SOCKET, 8MM	2	2093731		
20	90123-300-000	BOLT, FRONT FORK	2	2093731		
21	90543-273-000	PACKING, FRONT FORK DRAIN COCK	2	2093731		
22	90544-283-000	WASHER, SPECIAL, 8MM	2	2093731		
23	91255-300-023	OIL SEAL, 35X48X11 91255-300-033	2	2093731	2102150	
	91255-300-025	OIL SEAL, 35X48X11 91255-300-033	2	2093731	2102150	
	91255-300-033	OIL SEAL, 35X48X11	2	2102151		
24	92000-06010	BOLT, HEX., 6X10	2	2093731		
25	92700-08050-30	BOLT, STUD, 8X50	4	2093731		
26	93500-06006-02	SCREW, PAN, 6X6	2	2093731		F
27	94030-08000	NUT, HEX., 8MM	4	2093731		
28	94101-08000	WASHER, PLAIN, 8MM	4	2093731		
29	94111-08000	WASHER, SPRING, 8MM	4	2093731		
30	94521-48000	CIR CLIP, INTERNAL, 48MM	2	2093731		
31	94608-50000	O-RING, 23X2.8	2	2093731		
32	95014-41000	HOLDER, AXLE	2	2093731		

F-10 Steering stem

F-10 Steering stem



Ref. No.	Part No.	Description	Reqd. No.		Serial No.	Area code
			CB	750 K1 K2		
1	45465-300-000	CLIP, SPEEDOMETER CABLE	1	1	2066241	
2	50301-268-305	RACE, STEERING TOP HALL	1	1		
3	50302-268-305	RACE, STEERING BOTTOM HALL	1	1		
4	53124-250-000	SEAL, STEERING HEAD DUST	1	1		
5	53200-300-020B	STEM COMP., STEERING 53020-300-020B	1	1		A>E>F>U A>D>E>F>U
	53020-300-020B	STEM COMP. SET, STEERING	1	1	1048862	1048862
	53200-300-030B	STEM COMP., STEERING	1	1	1048863	A>D>E>F>U A>D>E>F
	53200-300-610B	STEM COMP., STEERING	1	1		EU>G>H
6	53211-268-305	RACE, STEERING TOP CONE	1	1		
7	53212-250-305	RACE, STEERING BOTTOM CONE	1	1		
8	53215-230-000	COVER, HANDLE LOCK CASE	1	1		A>E>F>U A>D>E>F>U
	53215-317-000	COVER COMP., HANDLE LOCK CASE	1	1	1048863	A>D>E>F>U
9	53215-250-000	WASHER, STEERING HEAD DUST SEAL	1	1		
10	53220-286-000	THREAD COMP., STEERING HEAD TOP	1	1		
11	53225-333-000	INNER, CABLE GUIDE		1	2066242	
12	53226-341-700	BRACKET, CABLE GUIDE		1	2066242	
13	53600-051-000	LOCK COMP., HANDLE	1	1		ED>G>H
14	53600-230-000	LOCK COMP., STEERING HANDLE (TOYO)	1	1		A>D>E>F>U
15	53601-051-000	PLATE, HANDLE LOCK CASE COVER	1	1		ED>G>H
16	53602-051-000	WASHER, HANDLE LOCK CASE COVER PLATE SET	1	1		ED>G>H
17	53603-051-000	RIVET, 4MM	1	1		ED,G,H
18	53631-268-020	SPRING, HANDLE LOCK	1	1		A>D>E>F>U
19	90304-300-000	NUT, STEERING STEM 90304-323-670	1	1		
	90304-323-670	NUT, STEERING STEM		1		
20	90503-283-000	WASHER, STEERING STEM	1	1		
21	92000-10040-0A	BOLT, HEX., 10X40	2	2		
22	93500-03008-0A	SCREW, PAN, 3X8	1	1		A>D>E>F>U
23	94101-03000	WASHER, PLAIN, 3MM	1	1		A>D>E>F>U
24	94102-10000	WASHER, PLAIN, 10MM	2	2		
25	96211-08000	BALL, STEEL, #8	37	37		

300-48B

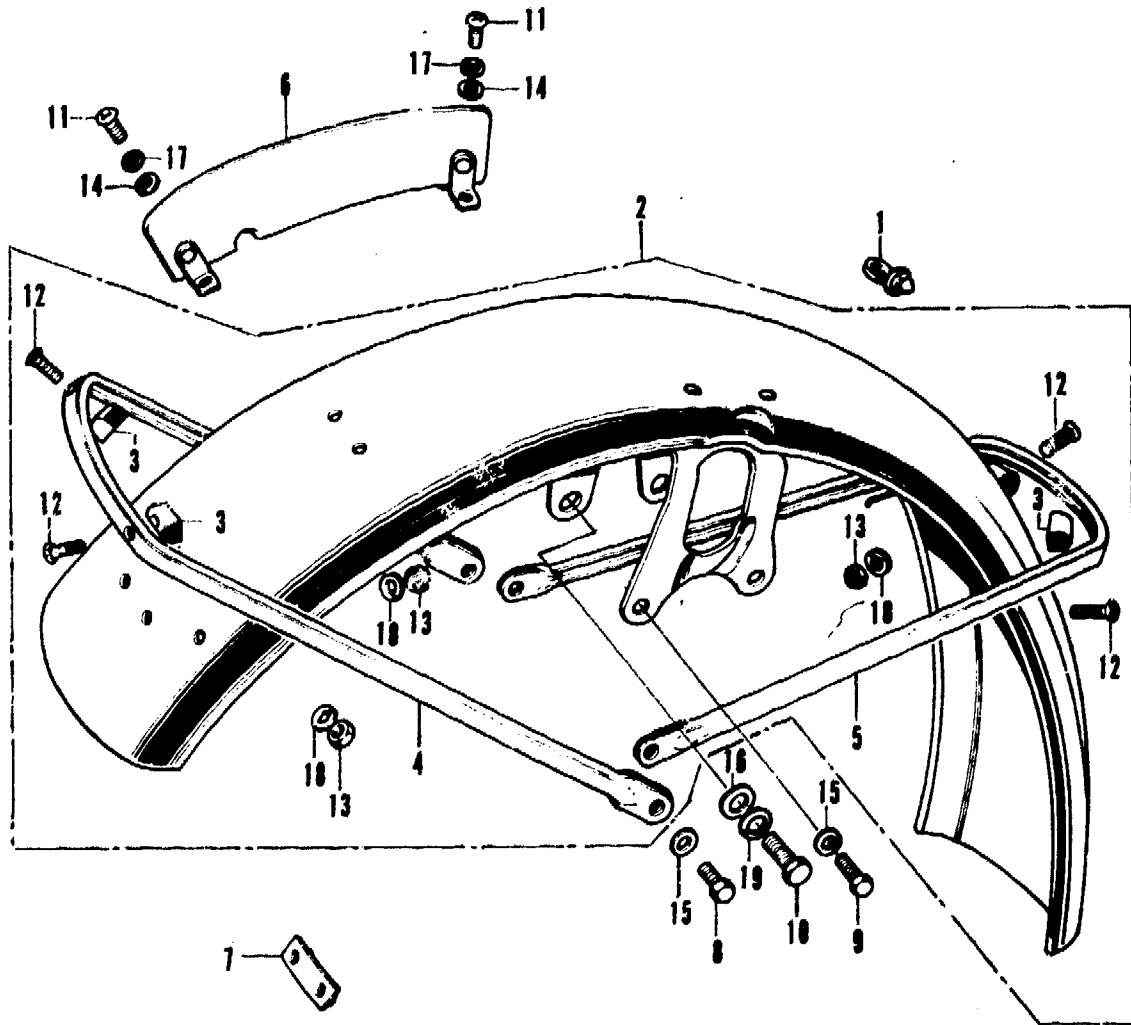


F-11 Front fender

E 12

F-11 Front fender

Courtesy of  Honda4Fun
www.hondafour.com www.honda4fun.com



Ref. No.	Part No.	Description	Reqd. No.			Serial No.	Area code
			CB	K1	K2		
1	45451-283-000	GROMMET; WIRE	1	1	1	1015593	
2	61100-300-030XW 61100-300-040XW	FENDER COMP.; FRONT	1			2093730	
	61100-300-040XW	FENDER COMP.; FRONT	1	1	1	1015593	Asst. GensU
	61100-300-600XW	FENDER COMP.; FRONT	1	1	1	2093730	Asst. GensU Asst. EUsF Asst. EUsF
3	61102-300-000	PIECE; FENDER SETTING	4	4	4	2093730	E
4	61106-300-000 61111-323-000	STAY A; FRONT FENDER	1	1		2093730	E
5	61107-300-000 61112-323-000	STAY B; FRONT FENDER	1	1	1	2093730	
	61112-323-000	STAY B; FRONT FENDER	1	1	1	2093730	
6	61131-283-600B	PLATE; FRONT NUMBER	1	1	1	2093730	E
7	61132-300-600	WASHER; NUMBER PLATE SETTING	2	2	2	2093730	E
8	92000-06016	BOLT; HEX.; 6X16	4	4	4	2093730	
9	92000-06025	BOLT; HEX.; 6X25	2	2	2	2093730	
10	92000-08025-0A	BOLT; HEX.; 8X25	2	2	2	2093730	
11	93500-04012-0B	SCREW; PAN; 4X12	4	4	4	2093730	E
12	93700-05025-0B	SCREW; OVAL; 5X25	4	4	4	2093730	E
13	94001-05020-0S	NUT; HEX.; 5MM	4	4	4	2093730	
14	94101-04000	WASHER; PLAIN; 4MM	4	4	4	2093730	E
15	94101-06000	WASHER; PLAIN; 6MM	6	6	6	2093730	
16	94101-08000	WASHER; PLAIN; 8MM	2	2	2	2093730	
17	94111-04000	WASHER; SPRING; 4MM	4	4	4	2093730	E
18	94111-05000	WASHER; SPRING; 5MM	4	4	4	2093730	
19	94111-08000	WASHER; SPRING; 8MM	2	2	2	2093730	

B300-80

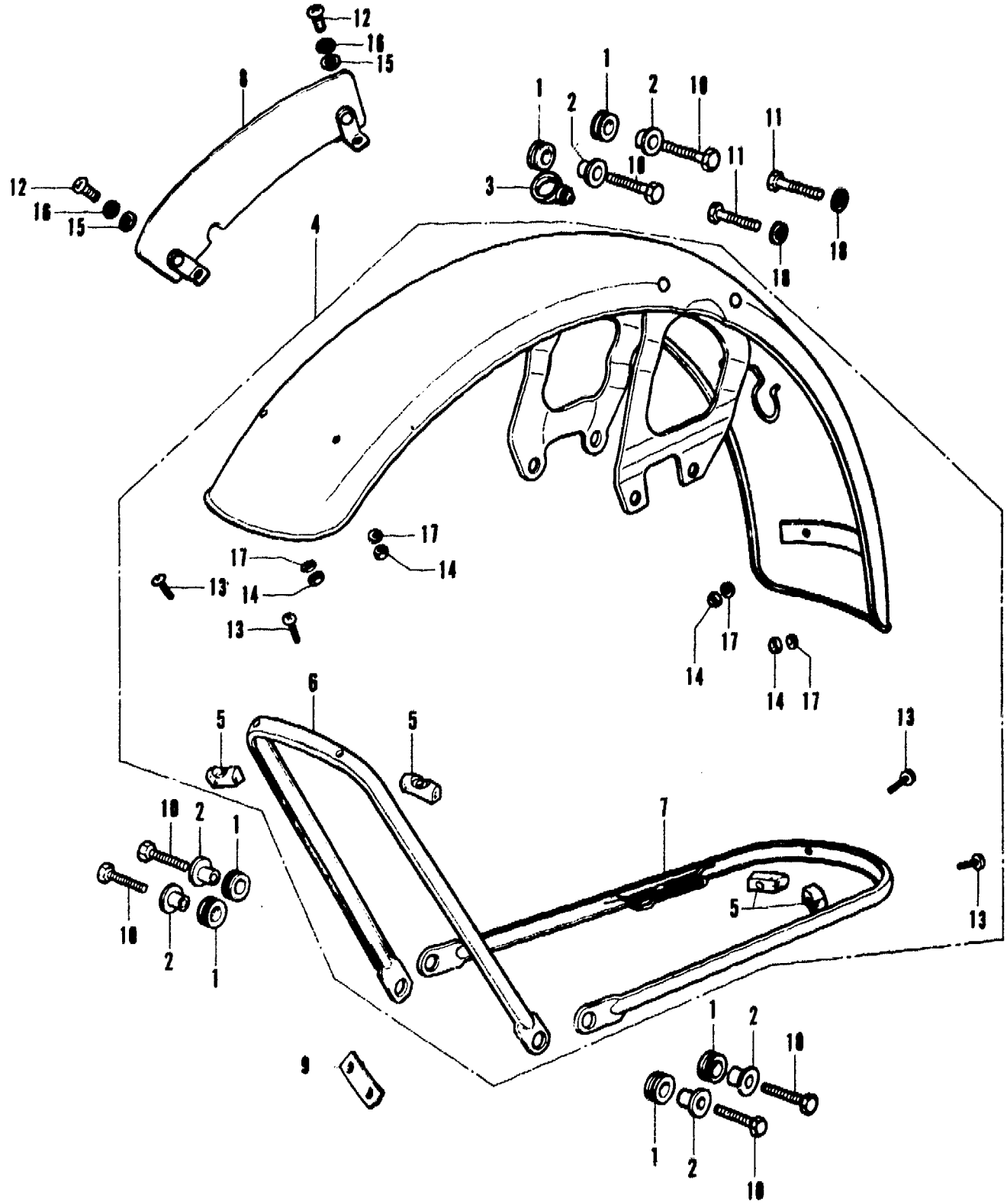
Courtesy of  Honda4Fun
www.hondafour.com www.honda4fun.com

E 13

F-12 Front fender

F-12 Front fender


 Courtesy of www.hondafour.com www.honda4fun.com



Ref. No.	Part No.	Description	Reqd. No.		Serial No.	Area code
			CB	750 K1 K2		
1	40513-310-000	RUBBER; CHAIN CASE MOUNT	6		2093731	
2	40514-310-000	COLLAR; CHAIN CASE	6		2093731	
3	45451-283-000	GROMMET; WIRE	1		2093731	
4	61100-341-600XM	FENDER COMP.; FRONT	1		2093731	E
	61100-341-700XM	FENDER COMP.; FRONT	1		2093731	A+D+E+G
5	61102-300-000	PIECE; FENDER SETTING	4		2093731	
6	61111-341-700	STAY A; FRONT FENDER	1		2093731	
7	61112-341-700	STAY B; FRONT FENDER	1		2093731	
8	61131-283-600B	PLATE; FRONT NUMBER	1		2093731	E
9	61132-300-600	WASHER; NUMBER PLATE SETTING	2		2093731	E
10	92000-06022	BOLT; HEX.; 6X22	6		2093731	
11	92200-06025	BOLT; HEX.; 6X25	2		2093731	
12	93500-04012-0H	SCREW; PAN; 4X12	4		2093731	E
13	93700-05025-0H	SCREW; OVAL; 5X25	4		2093731	
14	94001-05000-0S	NUT; HEX.; 5MM	4		2093731	
15	94101-04000	WASHER, PLAIN, 4MM	4		2093731	E
16	94111-04000	WASHER; SPRING; 4MM	4		2093731	E
17	94111-05000	WASHER; SPRING; 5MM	4		2093731	
18	94111-06000	WASHER; SPRING; 6MM	2		2093731	

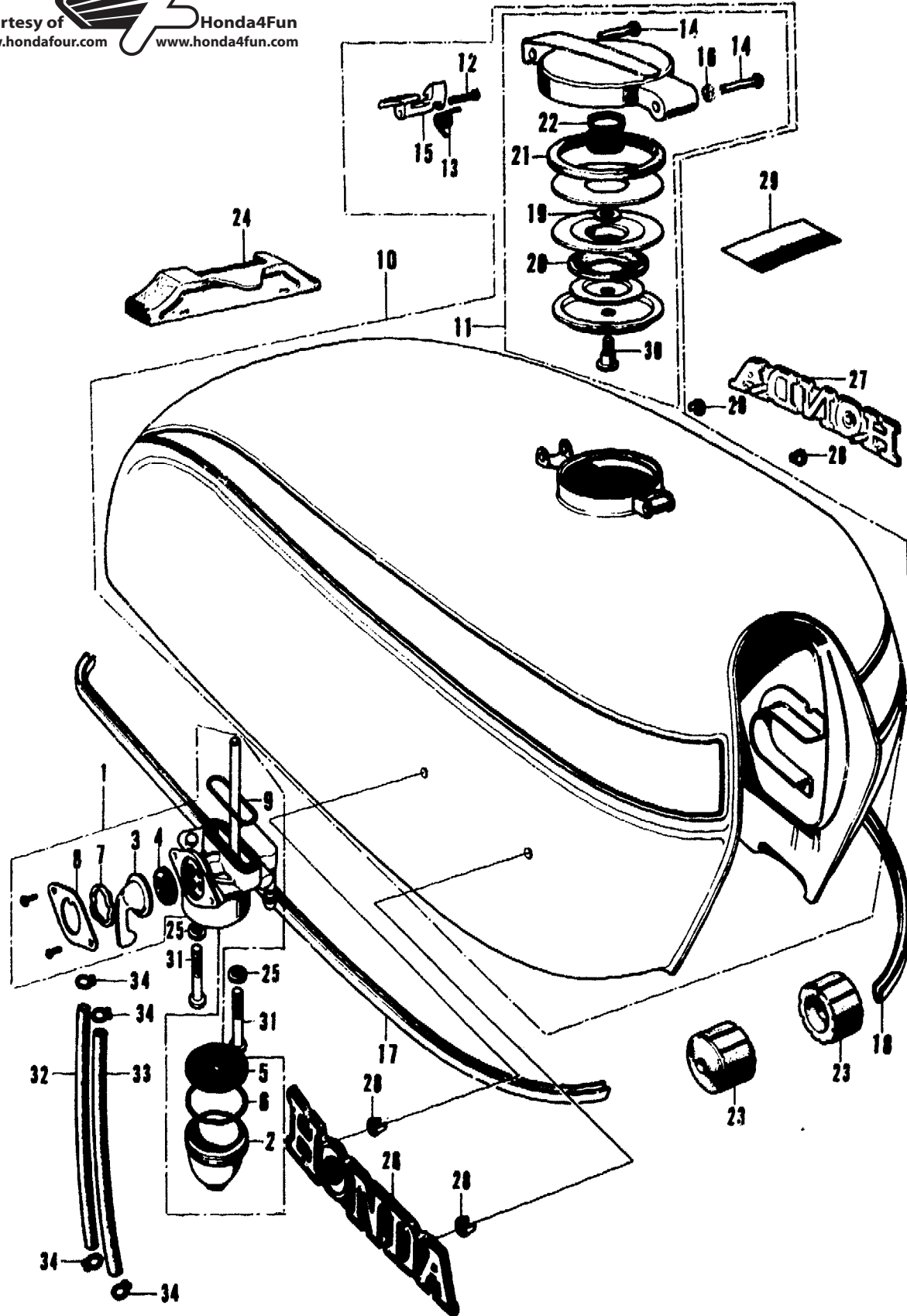
B300-87A


 Courtesy of www.hondafour.com www.honda4fun.com

F-13 Fuel tank - Cock

F-13 Fuel tank - Cock

Courtesy of  Honda4Fun
www.hondafour.com www.honda4fun.com



300-49A

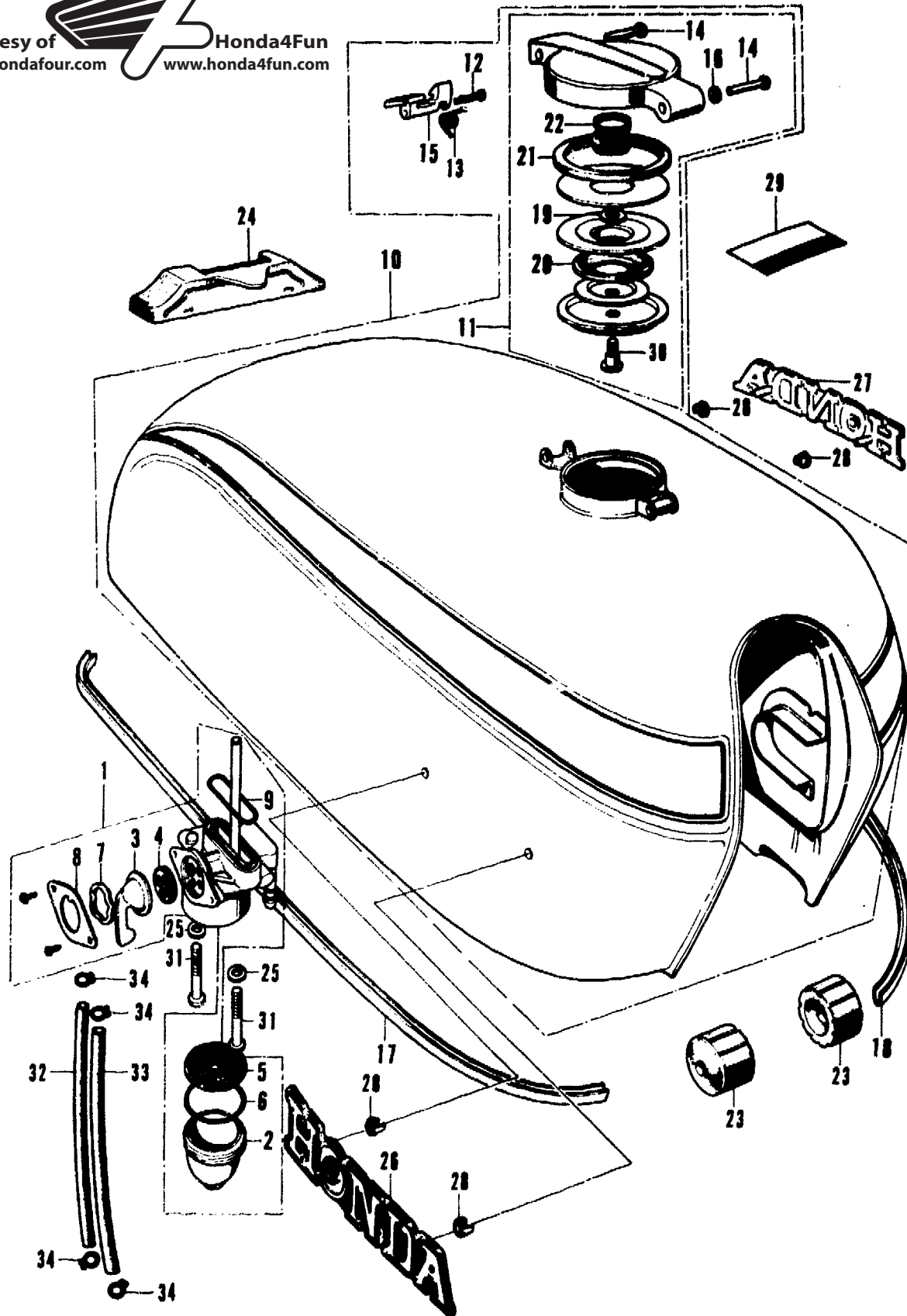
Ref. No.	Part No.	Description	Reqd. No.		Serial No.	Area code
			CB	750 K1 K2		
1	16950-300-020	COCK ASSY., FUEL	1	1		
2	16952-268-000	CUP, FUEL STRAINER	1	1		
3	16953-268-020	LEVER, FUEL COCK	1	1		
4	16955-268-020	GASKET, COCK VALVE	1	1		
5	16957-268-010	SCREEN, FUEL STRAINER	1	1		
6	16958-268-010	O-RING	1	1		
7	16960-268-010	SPRING, COCK LEVER	1	1		
8	16961-268-010	PLATE, FUEL COCK LEVER SETTING	1	1		
9	16997-273-006	O-RING, 23MM	1	1		
10	17500-300-020AZ	TANK COMP., FUEL 17500-300-030AZ	1		1001937	
	17500-300-020CH	TANK COMP., FUEL 17500-300-030CH	1		1001937	
	17500-300-030AZ	TANK COMP., FUEL 17500-300-040AZ	1		1001938	
	17500-300-030CH	TANK COMP., FUEL 17500-300-040CH	1	1	1001938	1055209
	17500-300-030CQ	TANK COMP., FUEL 17500-300-040CQ	1	1	1019210	1055209
	17500-300-030EE	TANK COMP., FUEL 17500-300-040EE	1			1055209
	17500-300-030EF	TANK COMP., FUEL 17500-300-040EF	1			1055209
	17500-300-030EG	TANK COMP., FUEL 17500-300-040EG	1			1055209
	17500-300-040AZ	TANK COMP., FUEL	1			1055210
	17500-300-040CH	TANK COMP., FUEL	1			1055210
	17500-300-040CQ	TANK COMP., FUEL	1			1055210
	17500-300-040EE	TANK COMP., FUEL	1			1055210
	17500-300-040EF	TANK COMP., FUEL	1			1055210
	17500-300-040EG	TANK COMP., FUEL	1			1055210
	17500-341-670CH	TANK ASSY., FUEL				1
	17500-341-670LU	TANK ASSY., FUEL				1
	17500-341-670LV	TANK ASSY., FUEL				1
	17500-341-670LX	TANK ASSY., FUEL				1
	17500-341-670MV	TANK ASSY., FUEL				1
11	17510-300-163	CAP COMP., FUEL FILLER 17510-323-310	1	1		
	17510-323-310	CAP COMP., FUEL TANK				1
12	17513-300-300	PIN, FUEL FILLER CAP CHECK	1	1		
13	17515-300-300	SPRING, FUEL FILLER CAP CHECK	1	1		
14	17516-300-300	PIN, FUEL FILLER CAP	2	2		
	17514-323-300	PIN B, FUEL FILLER CAP				1

Courtesy of  Honda4Fun
www.hondafour.com www.honda4fun.com

F-13 Fuel tank • Cock

F-13 Fuel tank • Cock

Courtesy of  Honda4Fun
www.hondafour.com www.honda4fun.com



Ref. No.	Part No.	Description	Reqd. No.		Serial No.	Area code
			CB	750 K1 K2		
15	17517-300-330	CHECK, FUEL FILLER CAP	1	1		
	17517-300-340	CHECK, FUEL FILLER CAP	1	1		
16	17520-300-300	WASHER, FILLER CAP FRICTION	1	1		
17	17521-300-000	MOULDING, RIGHT FUEL TANK	1			
	17521-300-010	MOULDING, RIGHT FUEL TANK	1			
18	17522-300-000	MOULDING, LEFT FUEL TANK	1			
	17522-300-010	MOULDING, LEFT FUEL TANK	1			
19	17523-300-000	WASHER, PLAIN	1	1		
20	17524-300-000	SEPARATOR A, FUEL	1	1		
21	17525-300-000	GASKET, FUEL FILLER CAP	1	1		
	17534-323-397	GASKET, FUEL FILLER CAP		1		
22	17526-300-000	SPRING, SEAT	1	1		
23	17611-283-010	CUSHION, FUEL TANK FRONT	2	2	2	
24	17613-292-000	CUSHION, FUEL TANK REAR	1	1	1	
25	17993-250-000	GASKET, FUEL COCK	2	2	2	
26	87121-300-020	EMBLEM, RIGHT FUEL TANK	1			
	87121-300-030	EMBLEM, RIGHT FUEL TANK	1			
	87121-341-000	EMBLEM, RIGHT FUEL TANK		1		
27	87122-300-020	EMBLEM, LEFT FUEL TANK	1			
	87122-300-030	EMBLEM, LEFT FUEL TANK	1			
	87122-341-000	EMBLEM, LEFT FUEL TANK		1		
28	87311-516-000	NUT, RR. EMBLEM ATTACHING	4	4	4	
29	87560-323-611A	MARK, DRIVE CAUTION	1	1	1103001	G+H G
	87560-323-611B	MARK, DRIVE CAUTION	1	1	1103001	G+H G
	87560-323-621A	MARK, DRIVE CAUTION	1	1	1103001	F F
	87560-323-621B	MARK, DRIVE CAUTION	1	1	1103001	F F
	87560-323-670A	MARK, DRIVE CAUTION	1	1	1103001	A+D+E+ED+U A+D+E+ED
	87560-323-670B	MARK, DRIVE CAUTION	1	1	1103001	A+D+E+ED+U A+D+E+ED
	90167-300-000	SCREW, PAN	1	1		
	93500-06028	SCREW, PAN, 6X28	2	2	2	
32	95001-50160	TUBE, FUEL, 5.0X160	1			
	95001-50190	TUBE, FUEL, 5X190	1		1071335	
	95001-55190-40	TUBE, FUEL, 5.5X190	1	1	1071336	
33	95001-50280	TUBE, FUEL, 5X280	1			
	95001-50350	TUBE, FUEL, 5.0X350	1		1071335	
	95001-55350-40	TUBE, FUEL, 5.5X350	1	1	1071336	
34	95002-50000	CLIP, TUBE, C9	4	4	1071335	
	95002-02100	CLIP, TUBE, B10	4	4	1071336	

300-49A

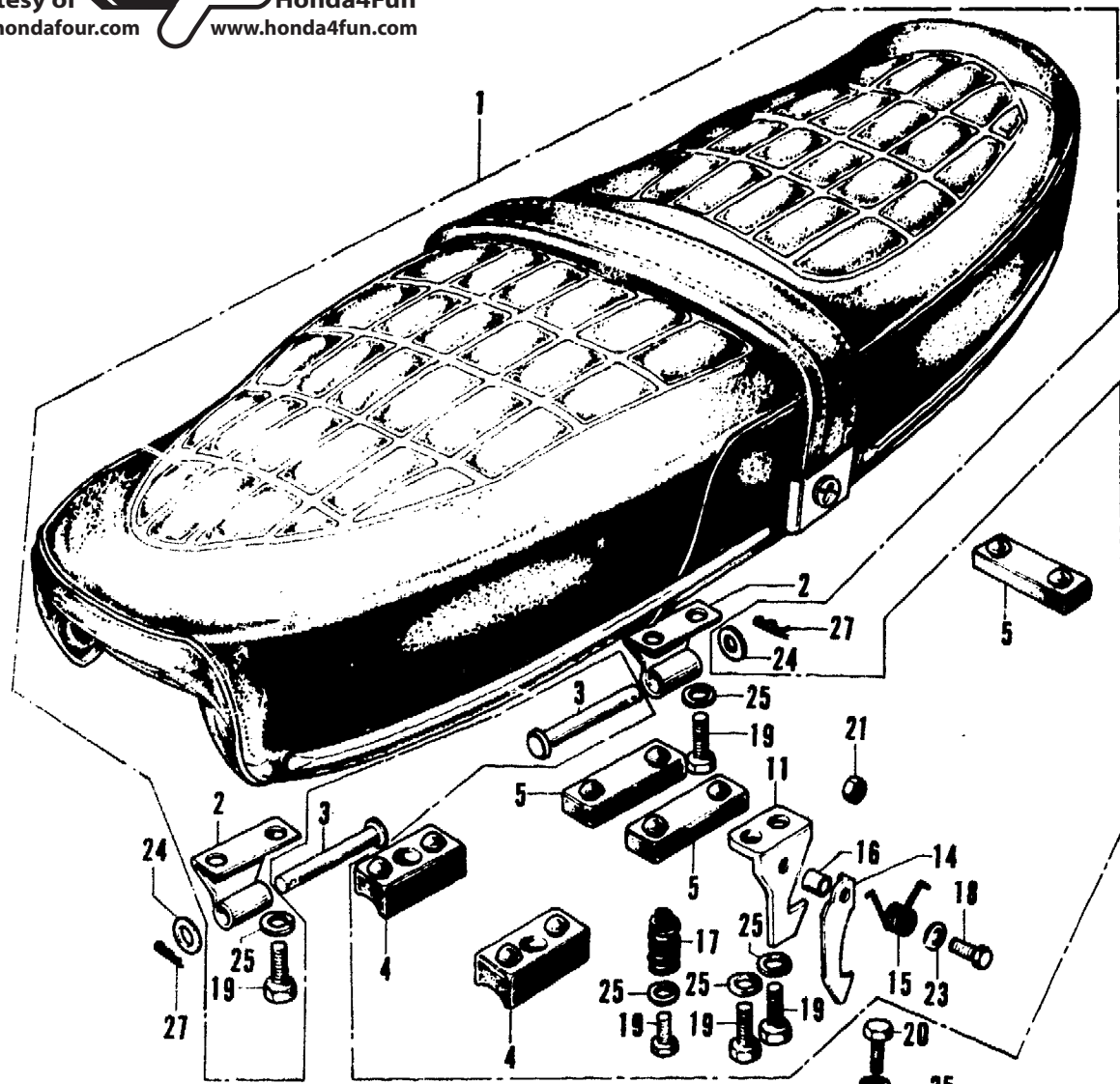
Courtesy of  Honda4Fun
www.hondafour.com www.honda4fun.com

E 16

F-14 Double seat

F-14 Double seat

Courtesy of  Honda4Fun
www.hondafour.com www.honda4fun.com



Ref. No.	Part No.	Description	Reqd. No.			Serial No	Area code
			CB	K1	K2		
1	77200-300-020A	SEAT ASSY					
	77200-300-030A	SEAT ASSY					
2	77201-300-010	HINGE, SEAT	2	2			
3	77203-300-000	BAR, SEAT HINGE	2	2			
4	77204-292-000	RUBBER, SEAT SETTING	2	2			
5	77205-286-000	RUBBER B, SEAT SETTING	3	3			
6	77230-300-000	CATCH COMP., SEAT	1				
	77230-300-010	CATCH COMP., SEAT			1		
7	77231-300-010	SLIDER, SEAT CATCH	1	1			
8	77232-300-000	SPRING, SEAT CATCH	1	1			
9	77233-300-010	LEVER, SEAT CATCH	1				
	77233-300-020	LEVER, SEAT CATCH			1		
10	77234-300-010	PLATE, SEAT CATCH	1				
	77234-300-020	PLATE, SEAT CATCH			1		
11	77235-300-010	HOOK, SEAT CATCH	1				
	77235-300-020	HOOK, SEAT CATCH			1		
12	77238-300-000	LEVER, SEAT CATCH SAFETY	1			1000263	
	77238-300-010	LEVER, SEAT CATCH SAFETY	1			1000264	
13	77239-300-000	SPRING, SAFETY LEVER	1			1000263	
	77239-300-010	SPRING, SAFETY LEVER	1			1000264	
14	77241-300-000	HOOK, SEAT CATCH SAFETY			1		
15	77242-300-000	SPRING, SEAT SAFETY HOOK			1		
16	77243-300-000	COLLAR, SEAT SAFETY HOOK			1		
17	77244-300-000	SPRING, SEAT LIFT			1		
18	92000-05018-0A	BOLT, HEX., 5X18			1		
19	92000-06012	BOLT, HEX., 6X12	7	8			
20	92000-06016	BOLT, HEX., 6X16	1	1			
21	94001-05000-0S	NUT, HEX., 5MM			1		
22	94001-06000	NUT, HEX., 6MM	1	1			
23	94101-05000	WASHER, PLAIN, 5MM	2	1			
24	94101-06000	WASHER, PLAIN, 6MM	3	3			
25	94111-06000	WASHER, SPRING, 6MM	7	8			
26	94201-16120	PIN, SPLIT, 1.6X12			1		
27	94251-06000	PIN, LOCK, 6MM			2	2	

300-50A

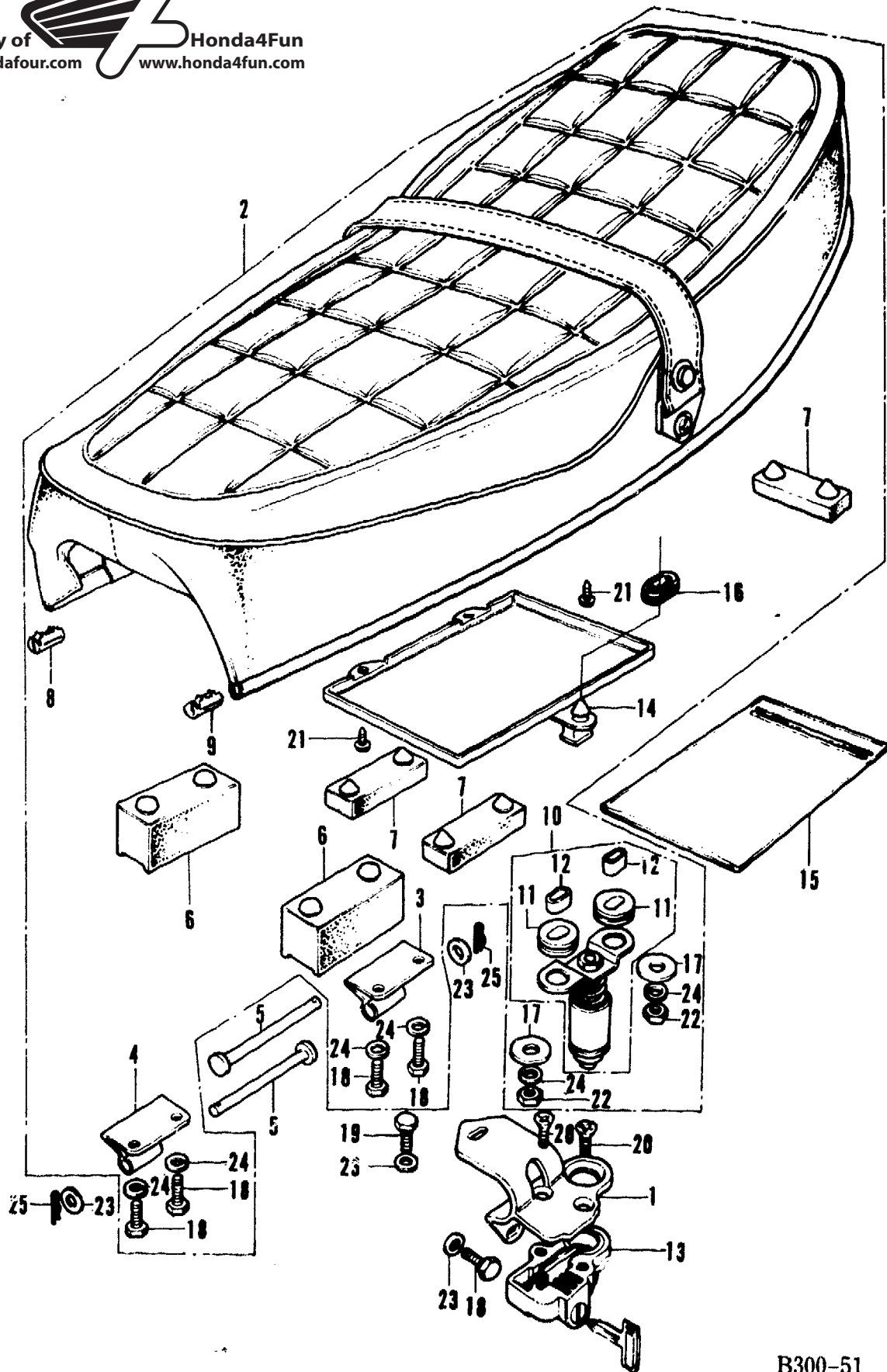
Courtesy of  Honda4Fun
www.hondafour.com www.honda4fun.com

F-15 Double seat



F-15 Double seat

Courtesy of  Honda4Fun
www.hondafour.com www.honda4fun.com



Ref. No.	Part No.	Description	Reqd. No.		Serial No.	Area code
			CB	750 K1 K2		
1	50223-341-000	PLATE, SEAT LOCK SET		1		
2	77200-341-000A	SEAT ASSY		1		
	77200-341-700	SEAT ASSY		1		
3	77201-300-010	HINGE, SEAT		1		
4	77201-341-000	HINGE A, SEAT		1		
5	77203-300-000	BAR, SEAT HINGE		2		
6	77204-292-000	RUBBER, SEAT SETTING		2		
7	77205-286-000	RUBBER B, SEAT SETTING		3		
8	77211-323-300	GARNISH, RIGHT SEAT MOLE		1		
9	77212-323-300	GARNISH, LEFT SEAT MOLE		1		
10	77220-340-011	BAR ASSY, SEAT LOCK		1		
11	77228-340-001	RUBBER, LOCK BAR CUSHION		2		
12	77229-340-001	COLLAR, SEAT LOCK BAR		2		
13	77230-340-013	LOCK ASSY, SEAT (TOYOSHA)		1	2011562	
	77230-347-003	LOCK ASSY, SEAT (TOYOSHA)		1	2011563	
14	77250-342-300	LID, SEAT UNDER		1		
15	77251-342-000	BAG, SERVICE HOOK		1		
16	83551-300-000	GROMMET, AIR CLEANER CASE		1		
17	90514-700-000	WASHER, TANK COLLAR LOCK		2		
18	92000-06012	BOLT, HEX., 6X12		5		
19	92000-06016	BOLT, HEX., 6X16		1		
20	93600-06016-07	SCREW, FLAT, 6X16		2		
21	93903-25080	SCREW, TAPPING, 5X8		2		
22	94001-06000	NUT, HEX., 6MM		2		
23	94101-06000	WASHER, PLAIN, 6MM		4		
24	94111-06000	WASHER, SPRING, 6MM		6		
25	94251-06000	PIN, LOCK, 6MM		2		

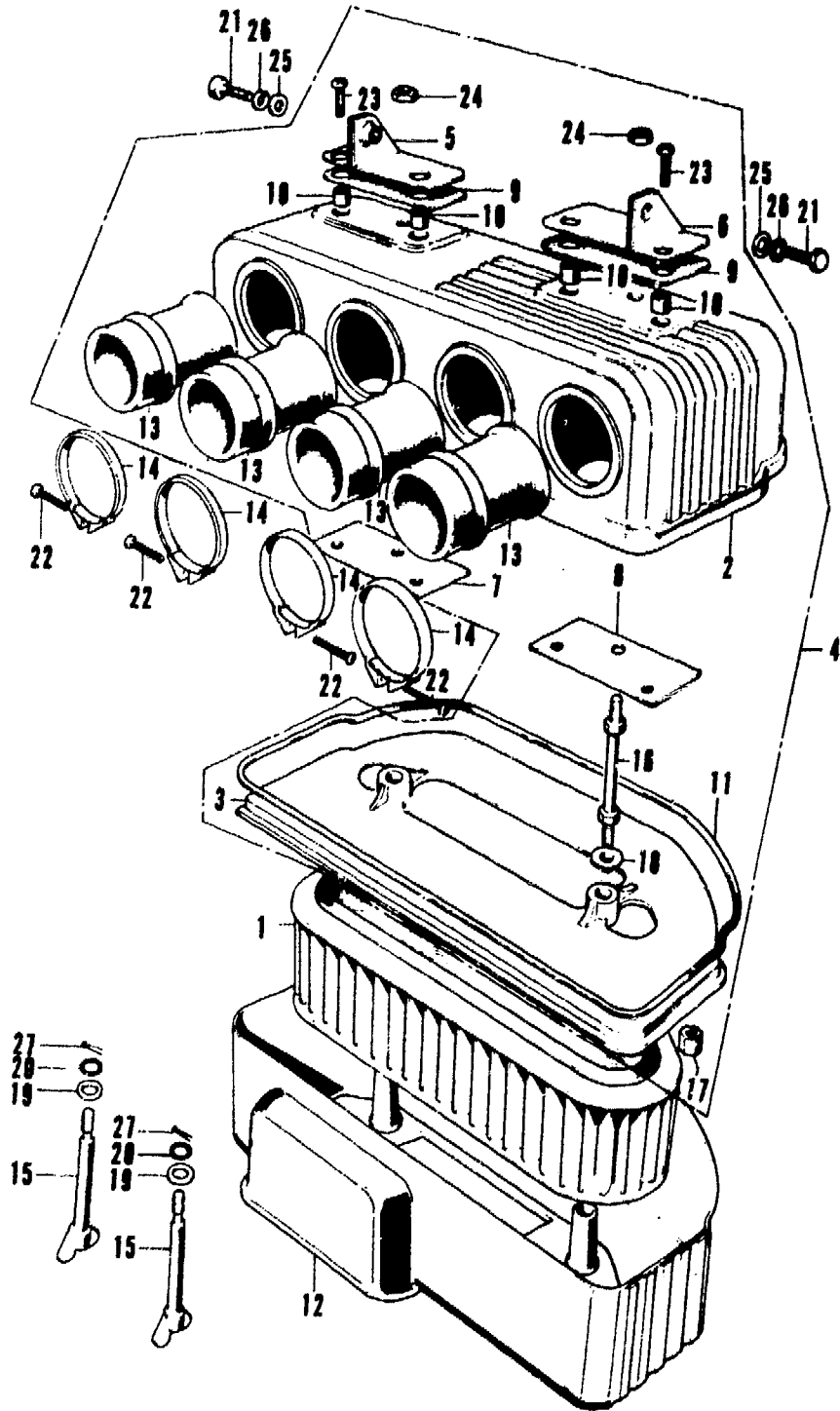
B300-51

Courtesy of  Honda4Fun
www.hondafour.com www.honda4fun.com

F-16 Air cleaner case - Element

F-16 Air cleaner case - Element

Courtesy of Honda4Fun
www.hondafour.com www.honda4fun.com



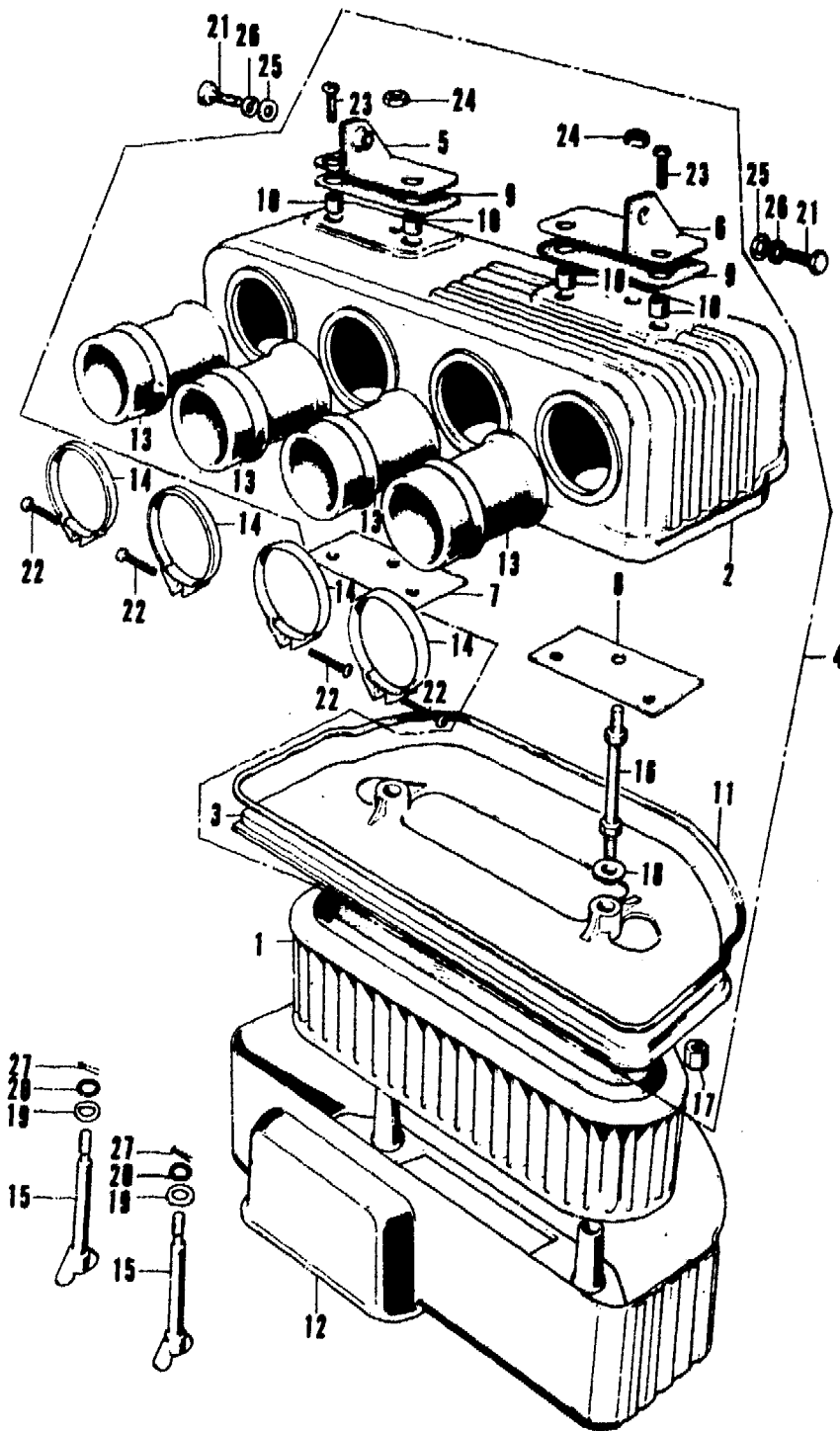
Ref. No.	Part No.	Description	Reqd. No.			Serial No.	Area code
			CB	750	K1 K2		
1	17211-300-020	ELEMENT, AIR CLEANER 17211-341-000	1	1		A>D>E>U	
	17211-300-620	ELEMENT, AIR CLEANER	1	1		ED>F>G>H	
	17211-341-000	ELEMENT, AIR CLEANER			1		
2	17212-300-000B	CASE, AIR CLEANER 17212-341-000			1		
	17212-341-000	CASE, AIR CLEANER			1		
3	17213-300-000B	SEPARATOR, AIR CLEANER	1	1			
4	17214-300-040AZ	CASE COMP., AIR CLEANER	2				
	17214-300-040CH	CASE COMP., AIR CLEANER	1				
	17214-300-040CQ	CASE COMP., AIR CLEANER	1		1019210		
5	17215-300-010	STAY, RIGHT AIR CLEANER CASE	1			1004006	
	17215-300-020	STAY, RIGHT AIR CLEANER CASE	1		1004007		
	17215-300-030	STAY, RIGHT AIR CLEANER CASE	1	1			
6	17216-300-010	STAY, LEFT AIR CLEANER CASE	1			1004006	
	17216-300-020	STAY, LEFT AIR CLEANER CASE	1		1004007		
	17216-300-030	STAY, LEFT AIR CLEANER CASE	1	1			
7	17217-300-330	PLATE, RIGHT AIR CLEANER CASE	1	?			
8	17218-300-330	PLATE, LEFT AIR CLEANER CASE	1	1	1044650		
9	17219-300-000	RUBBER, CLEANER CASE MOUNT	2		1004007		
	17219-300-010	RUBBER, CLEANER CASE MOUNT	4	4			
10	17220-300-000	COLLAR, CLEANER CASE SETTING	4		1004007		
	17220-300-010	COLLAR, CLEANER CASE SETTING	6	6			
11	17221-300-000	GASKET, AIR CLEANER CASE 17221-341-000	1				
	17221-341-000	GASKET, AIR CLEANER CASE		1			
12	17231-300-020AZ	COVER, AIR CLEANER	1			A>E>U	
	17231-300-020CH	COVER, AIR CLEANER	1			A>E>U	
	17231-300-020CQ	COVER, AIR CLEANER	1		1019210	A>E>U	
	17231-300-620AZ	COVER, AIR CLEANER	1			F>G>H	
	17231-300-620CH	COVER, AIR CLEANER	1			F>G>H	
	17231-300-620CQ	COVER, AIR CLEANER	1		1019210	F>G>H	
	17231-300-030B	COVER, AIR CLEANER		1			
17231-341-010	COVER, AIR CLEANER		1				
13	17253-300-330	TUBE, AIR CLEANER CONNECTING 17253-341-300	4	4			
	17253-341-300	TUBE, AIR CLEANER CONNECTING		4			
14	17255-230-000	BAND, CLEANER CONNECTING TUBE	4	4	4		
15	90143-300-010	BOLT, AIR CLEANER COVER 90143-300-020	2			1030390	
	90143-300-020	BOLT, AIR CLEANER COVER	2	2	2	1030391	

Courtesy of Honda4Fun
www.hondafour.com www.honda4fun.com

F-16 Air cleaner case • Element

F-16 Air cleaner case • Element

Courtesy of  Honda4Fun
www.hondafour.com www.honda4fun.com



Ref. No.	Part No.	Description	Reqd. No.		Serial No.	Area code
			CB	750 K1 K2		
16	90144-300-020	BOLT, AIR CLEANER CASE	2	2		
17	90301-300-000	NUT, AIR CLEANER CASE SET	2	2		
18	90554-240-000	WASHER B, CHAIN CASE SETTING	2	2		
19	90581-701-000	WASHER, 18MM	2	2		
20	91301-704-000	O-RING, 6MM	2	2		
21	92000-06012	BOLT, HEX., 6X12	2	2		
22	93500-04020-0A	SCREW, PAN, 4X20	4	4		
23	93500-06012	SCREW, PAN, 6X12	2			1004006
	93500-06020	SCREW, PAN, 6X20	4	4		1004007
24	94001-06000	NUT, HEX., 6MM	2	2		
25	94101-06000	WASHER, PLAIN, 6MM	2	2		
26	94111-06000	WASHER, SPRING, 6MM	2	2		
27	94201-20150	PIN, SPLIT, 2.0X15	2	2		1030391

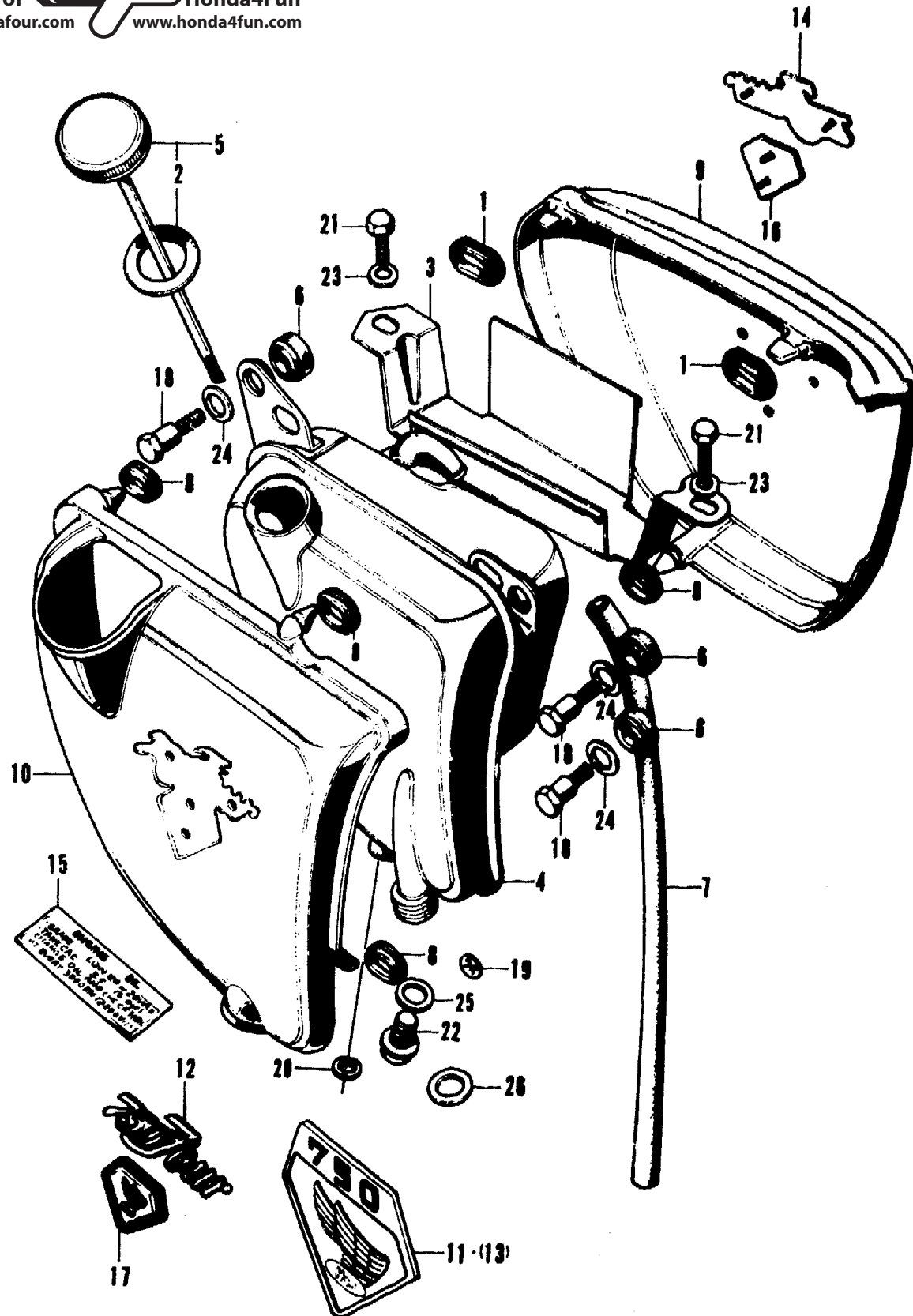
300-52A

Courtesy of  Honda4Fun
www.hondafour.com www.honda4fun.com

F-17 Oil tank • Tank & Battery cover

F-17 Oil tank • Tank & Battery cover

Courtesy of  Honda4Fun
www.hondafour.com www.honda4fun.com



Ref. No.	Part No.	Description	Reqd. No.			Serial No.	Area code
			CB	750	K1 K2		
1	17247-240-000	GROMMET A; AIR CLEANER CASE	2			1004148	
	17247-303-000	GROMMET A; AIR CLEANER CASE	2	2 2		1004149	
2	17631-253-000	PACKING; FUEL FILLER CUP	1	1	1		
3	50341-300-010	TRAY; TOOL	1	1	1		
4	55100-300-050B	TANK COMP.; OIL	1				
	55100-300-060B	TANK COMP.; OIL		1	1		
5	55105-300-010	CAP; OIL TANK	1	1	1		
6	55106-300-000	RUBBER; OIL TANK	3	3	3		
7	55107-300-000	PIPE; OIL TANK BREATHER	1	1	1		
8	83551-300-000	GROMMET; AIR CLEANER CASE	4	4	4		
9	83600-300-020AZ	COVER; BATTERY	1				
	83600-300-020CH	COVER; BATTERY	1				
	83600-300-020CG	COVER; BATTERY	1			1019210	
	83600-300-030AZ	COVER; BATTERY	1				
	83600-341-701AZ						
	83600-300-030CH	COVER; BATTERY	1				
	83600-341-701CH						
	83600-300-030CG	COVER; BATTERY	1				
	83600-341-701CG						
	83600-300-030EE	COVER; BATTERY	1				
	83600-341-701EE						
	83600-300-030EF	COVER; BATTERY	1				
	83600-341-701EF						
	83600-300-030EG	COVER; BATTERY	1				
	83600-341-701EG						
	83600-300-030LU	COVER; BATTERY	1			2065309	
	83600-341-701LU						
	83600-300-030LV	COVER; BATTERY	1			2065309	
	83600-341-701LV						
	83600-300-030LX	COVER; BATTERY	1			2065309	
	83600-341-701LX						
	83600-300-030MV	COVER; BATTERY	1			2065309	
	83600-341-701MV						
	83600-341-701CM	COVER; BATTERY	1			2065310	
	83600-341-701LU	COVER; BATTERY	1			2065310	
	83600-341-701LV	COVER; BATTERY	1			2065310	
	83600-341-701LX	COVER; BATTERY	1			2065310	
	83600-341-701MV	COVER; BATTERY	1			2065310	

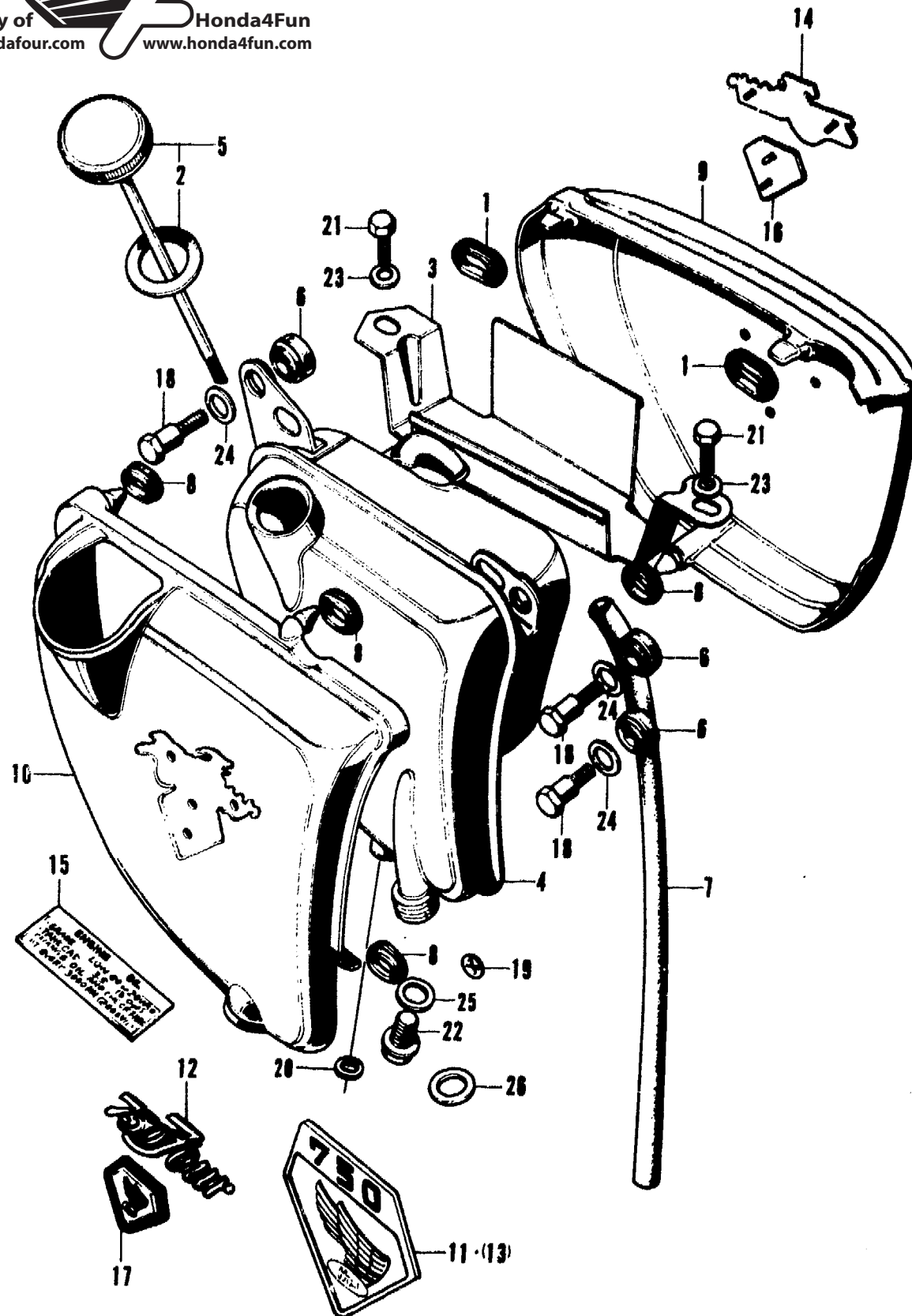
B300-53

Courtesy of  Honda4Fun
www.hondafour.com www.honda4fun.com

F-17 Oil tank - Tank & Battery cover

F-17 Oil tank - Tank & Battery cover

Courtesy of  Honda4Fun
www.hondafour.com www.honda4fun.com



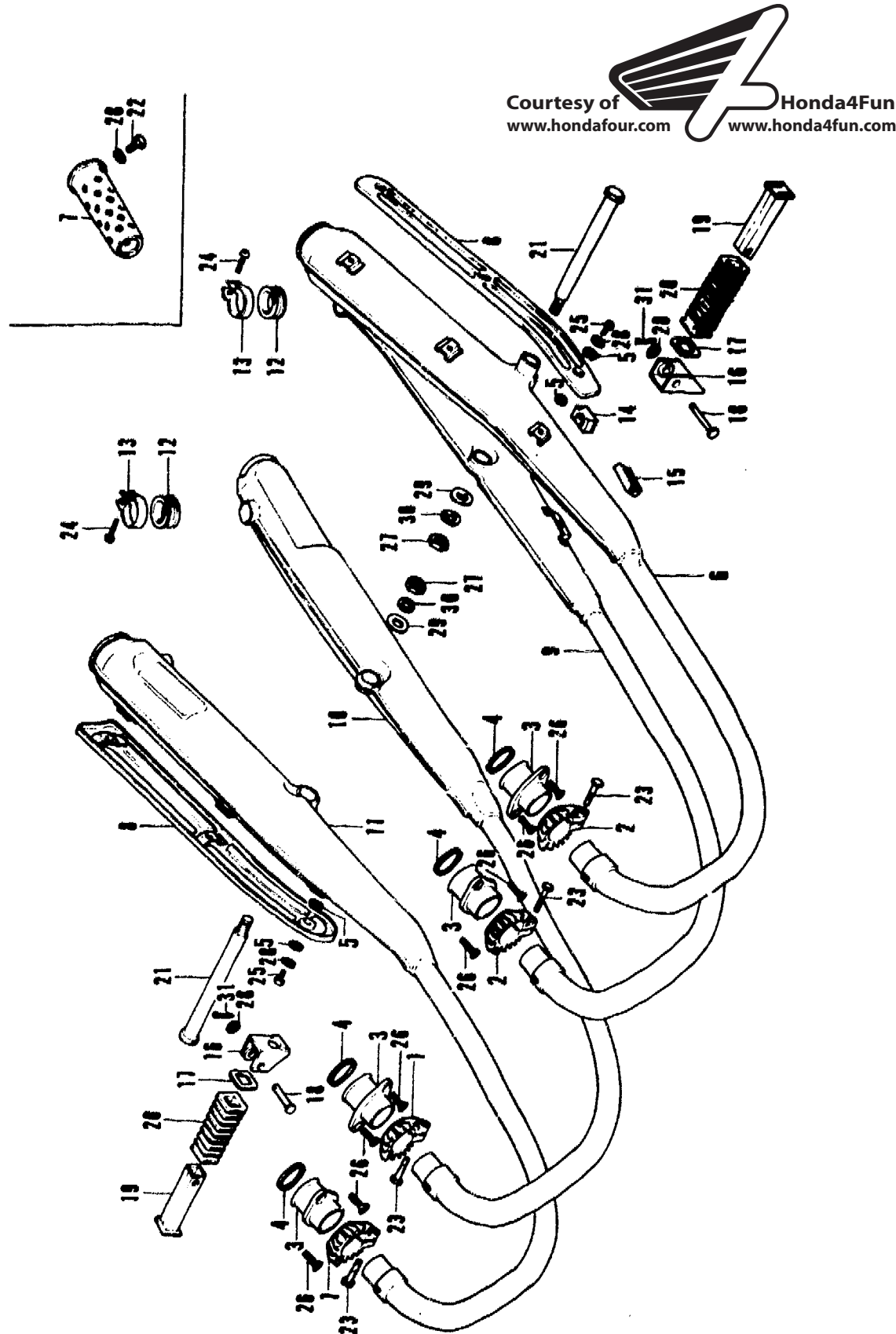
Ref. No.	Part No.	Description	Reqd. No.		Serial No.	Area code
			CB	750 K1 K2		
10	83700-300-020AZ	COVER, OIL TANK	1			
	83700-300-020CH	COVER, OIL TANK	1			
	83700-300-020CQ	COVER, OIL TANK	1			
	83700-300-030AZ	COVER, OIL TANK	1			
	83700-341-701AZ	COVER, OIL TANK				
	83700-300-030CH	COVER, OIL TANK	1			
	83700-341-701CH	COVER, OIL TANK				
	83700-300-030CQ	COVER, OIL TANK	1			
	83700-341-701CQ	COVER, OIL TANK				
	83700-300-030EE	COVER, OIL TANK	1			
	83700-341-701EE	COVER, OIL TANK				
	83700-300-030EF	COVER, OIL TANK	1			
	83700-341-701EF	COVER, OIL TANK				
	83700-300-030EG	COVER, OIL TANK	1			
	83700-341-701EG	COVER, OIL TANK				
	83700-300-030LU	COVER, OIL TANK	1		2065309	
	83700-341-701LU	COVER, OIL TANK				
	83700-300-030LV	COVER, OIL TANK	1		2065309	
	83700-341-701LV	COVER, OIL TANK				
	83700-300-030LX	COVER, OIL TANK	1		2065309	
	83700-341-701LX	COVER, OIL TANK				
	83700-300-030MV	COVER, OIL TANK	1		2065309	
	83700-341-701MV	COVER, OIL TANK				
	83700-341-701CH	COVER, OIL TANK	1		2065310	
	83700-341-701LU	COVER, OIL TANK	1		2065310	
	83700-341-701LV	COVER, OIL TANK	1		2065310	
	83700-341-701LX	COVER, OIL TANK	1		2065310	
	83700-341-701MV	COVER, OIL TANK	1		2065310	
11	87123-300-020B	EMBLEM, RIGHT SIDE	1		1019210	
	87123-300-020DM	EMBLEM, RIGHT SIDE	1			
12	87123-300-030	EMBLEM A, BATTERY COVER	2			
	87123-341-000	EMBLEM A, BATTERY COVER	2			
13	87124-300-020B	EMBLEM, LEFT SIDE	1		1019210	
	87124-300-020DM	EMBLEM, LEFT SIDE	1			
14	87124-300-030	EMBLEM, LEFT SIDE	1			
15	87125-300-000	PLATE, OIL CAUTION	1			
	87125-300-010	PLATE, OIL CAUTION	1	1		
16	87126-300-000	EMBLEM B, BATTERY COVER	1			
	87126-341-000	EMBLEM B, BATTERY COVER	1			
17	87127-300-000	EMBLEM B, OIL TANK COVER	1			
	87127-341-000	EMBLEM B, OIL TANK COVER	1			
18	90141-300-000	BOLT A, 6MM	3	3	3	
19	90313-512-000	NUT, PUSH, 3MM	8	8	8	
	90313-567-000	NUT, SPEED, 3MM	8	8	8	
20	90441-512-000	WASHER, SEALING, 12MM	1	1	1	
21	92000-06012	BOLT, HEX., 6X12	2	2	2	
22	92800-12000	BOLT, DRAIN PLUG, 12MM	1	1	1	
23	94101-06000	WASHER, PLAIN, 6MM	2	2	2	
24	94101-08000	WASHER, PLAIN, 8MM	3	3	3	
25	94109-12000	WASHER, DRAIN PLUG 12MM	1	1	1	
26	94109-14000	WASHER, DRAIN PLUG, 14MM	1	1	1	

B300-53

Courtesy of  Honda4Fun
www.hondafour.com www.honda4fun.com

F-18 Exhaust muffler

F-18 Exhaust muffler

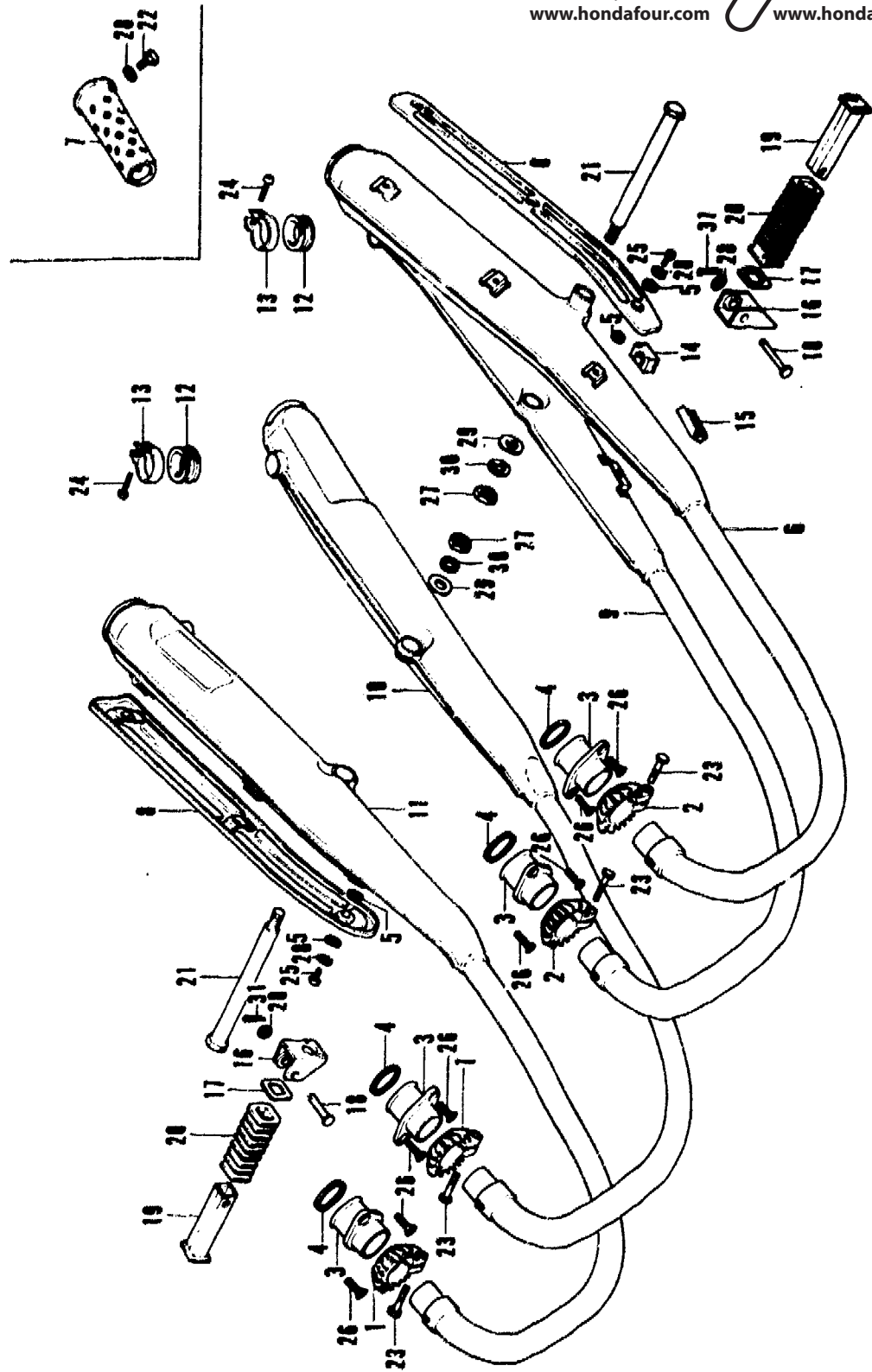


Ref. No.	Part No.	Description	Reqd. No.			Serial No.	Area code
			CB	750	K1 K2		
1	18231-300-000	JOINT, RIGHT EXHAUST PIPE 18231-300-010	2				
2	18232-300-000	JOINT, LEFT EXHAUST PIPE 18232-300-010	2				
3	18236-300-010	FRANGE, EXHAUST PIPE	4			1026143	
	18236-300-030	FRANGE, EXHAUST PIPE	4			1026144	
4	18291-254-000	GASKET, EXHAUST PIPE	4	4	4		
5	18292-290-000	GASKET, PROTECTOR	12	12	12		
6	18300-300-030	MUFFLER COMP. 1, EXHAUST 18300-300-345	1			1001221	
	18300-300-345	MUFFLER SET 1, EXHAUST	1			1001221	
	18300-300-040	MUFFLER COMP. 1, EXHAUST	1			1001222	A>E>U A>U>E>U
	18300-300-620	MUFFLER COMP. 1, EXHAUST	1	1			ED>F>G>H
	18300-341-000	MUFFLER COMP. 1, EXHAUST			1		
7	18311-300-320	PIPE, EXHAUST DIFFUSER	4			1004149	A>E>U A>U>E>U
	18311-300-620	PIPE, EXHAUST DIFFUSER	4	4			ED>F>G>H
	18311-341-300	PIPE, EXHAUST DIFFUSER			4		
8	18315-300-010	PROTECTOR, MUFFLER	2				
	18315-300-020	PROTECTOR, MUFFLER	2	2			
9	18350-300-030	MUFFLER COMP. 2, EXHAUST	1	1			A>D>E>U
	18350-300-620	MUFFLER COMP. 2, EXHAUST	1	1			ED>F>G>H
	18350-341-000	MUFFLER COMP. 2, EXHAUST			1		
10	18400-300-030	MUFFLER COMP. 3, EXHAUST	1	1			A>D>E>U
	18400-300-620	MUFFLER COMP. 3, EXHAUST	1	1			ED>F>G>H
	18400-341-000	MUFFLER COMP. 3, EXHAUST			1		
11	18450-300-030	MUFFLER COMP. 4, EXHAUST 18450-300-345	1			1001221	
	18450-300-345	MUFFLER COMP. 4, EXHAUST	1			1001221	
	18450-300-040	MUFFLER COMP. 4, EXHAUST	1			1001222	A>E>U A>U>E>U
	18450-300-620	MUFFLER COMP. 4, EXHAUST	1	1			ED>F>G>H
	18450-341-000	MUFFLER COMP. 4, EXHAUST			1		
12	18472-300-000	TUBE, MUFFLER CONNECTING	2	2	2		
13	18473-300-000	BAND, MUFFLER CONNECTING	2	2	2		
14	50524-001-000	RUBBER, MAIN STAND STOPPER	1	1	1		
	95011-61000	RUBBER A, STAND STOPPER	1	1	1		
15	50543-283-000	RUBBER, SIDE STAND STOPPER	1	1	1		

F-18 Exhaust muffler

F-18 Exhaust muffler

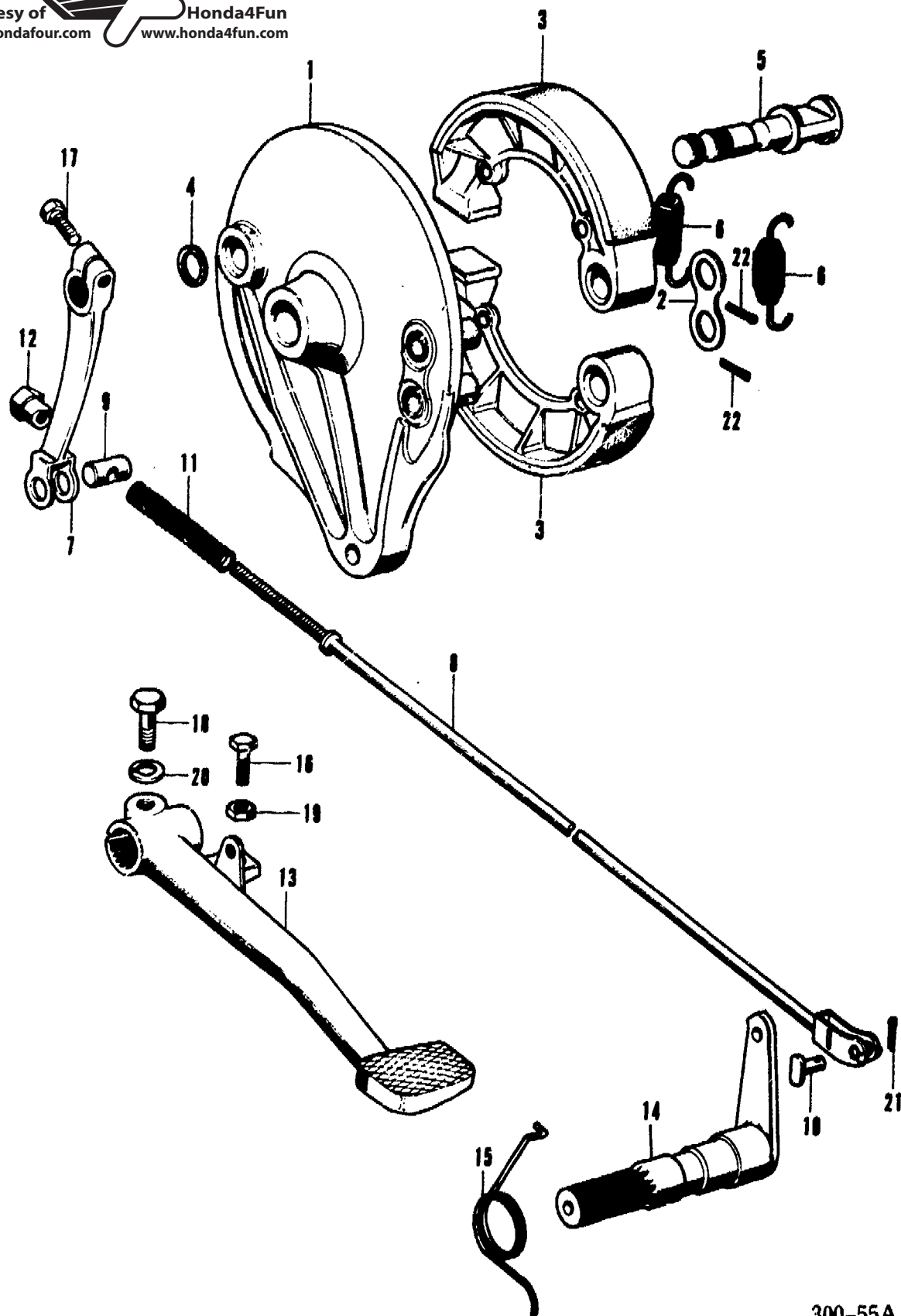
Courtesy of  Honda4Fun
www.hondafour.com www.honda4fun.com



Ref. No.	Part No.	Description	Reqd. No.		Serial No.	Area code
			CB	750 K1 K2		
16	50711-300-010 95015-71100	BRACKET, PILLION STEP 95015-71100	2	2		
17	50712-024-000 95015-91000	WASHER, PILLION STEP WASHER, PILLION STEP	2	2		
18	50714-300-000 95015-83000	PIN, PILLION STEP 95015-83000	2	2		
19	50715-283-000 95015-62000	BAR, PILLION STEP 95015-62000	2	2		
20	50731-024-000 95011-31000	RUBBER, PILLION STEP RUBBER A, PILLION STEP	2	2		
21	90146-300-010 90146-300-020	BOLT, PILLION STEP BOLT, PILLION STEP	2		1001221	
			2	2	1001222	
22	92000-06012	BOLT, HEX., 6X12	4	4		
23	92000-08032-0A	BOLT, HEX., 8X32	4	4	4	
24	93500-05016-0A	SCREW, PAN, 5X16	2	2	2	
25	93500-06012-49	SCREW, PAN, 6X12	6	6	6	
26	93600-08022	SCREW, FLAT, 8X22	8	8	8	
27	94030-12000	NUT, HEX., 12MM	2	2	2	
28	94101-06000	WASHER, PLAIN, 6MM	12	12	8	
29	94102-12000	WASHER, PLAIN, 12MM	2	2	2	
30	94111-12000	WASHER, SPRING, 12MM	2	2	2	
31	94201-16150	PIN, SPLIT, 1.6X15	2	2	2	

F-19 Rear brake pedal - Panel

Courtesy of  Honda4Fun
www.hondafour.com www.honda4fun.com



300-55A
B300-55

F-19 Rear brake pedal - Panel

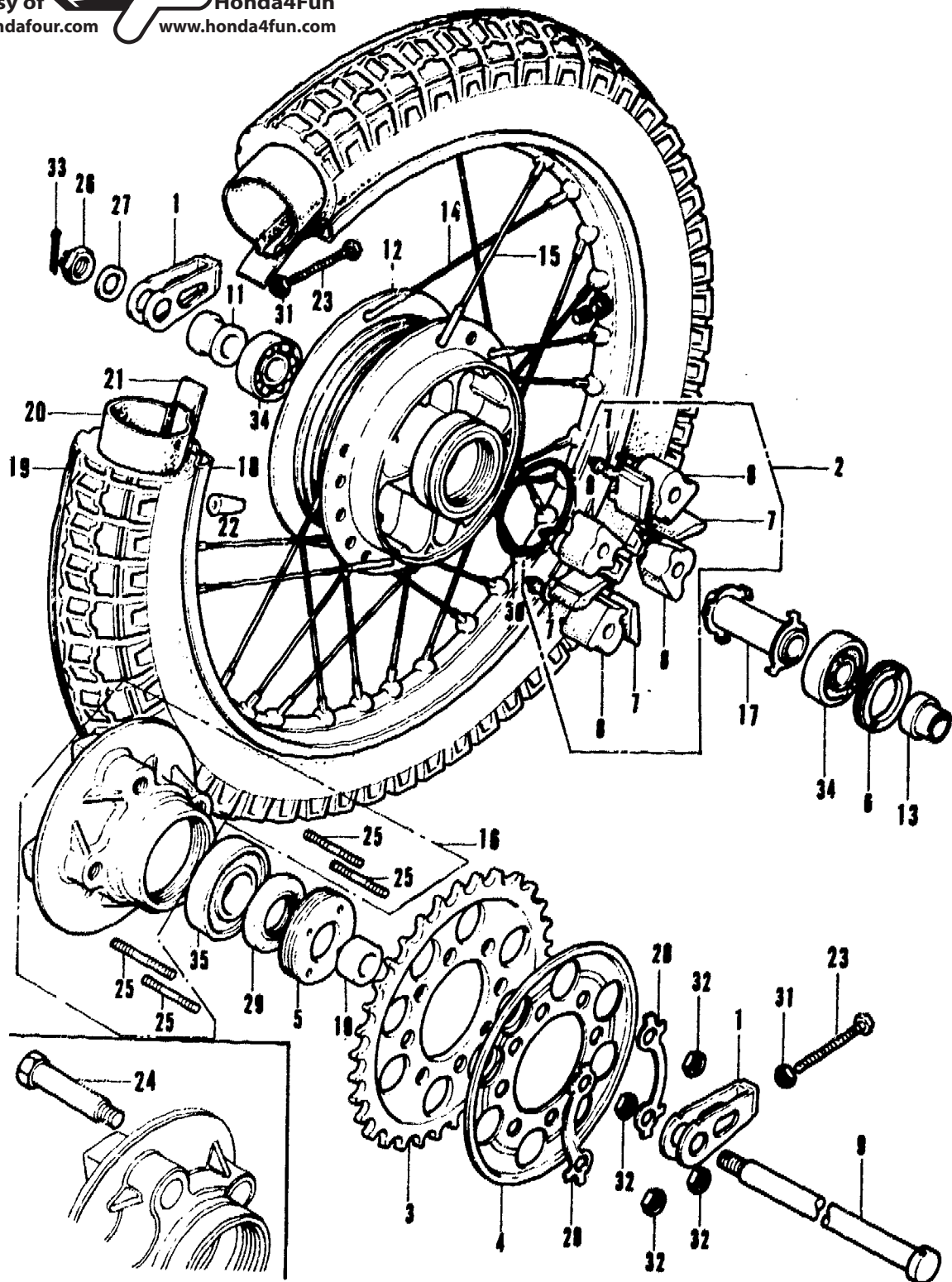
Ref. No.	Part No.	Description	Reqd. No.			Serial No.	Area code
			CB	K1	K2		
1	43100-300-020	PANEL, REAR BRAKE 43100-300-030	1			1026020	
	43100-300-030	PANEL, REAR BRAKE 43100-341-000	1	1		1026021	
	43100-341-680	PANEL, REAR BRAKE		1	1	2093700	
2	43106-222-300	WASHER, REAR BRAKE ANCHOR PIN	1			1026020	
	43102-319-000	WASHER, ANCHOR PIN	1	1	2	1026021	
3	43120-300-010	SHOE COMP., REAR BRAKE	2	2	2		
4	43134-300-000	DUST SEAL, BRAKE CAM	1	1	1		
5	43141-300-010	CAM, REAR BRAKE 43141-341-000	1	1	1	2093700	
	43141-341-000	CAM, REAR BRAKE		1	1	2093701	
6	43151-283-000	SPRING, BRAKE SHOE 95014-74320	2				
	95014-74320	SPRING, BRAKE SHOE		2	2	2093700	
	43151-346-000	SPRING, REAR BRAKE SHOE		2	2	2093701	
7	43410-300-020	ARM, REAR BRAKE 43410-341-700	1	1	1	2093700	
	43410-341-700	ARM, REAR BRAKE		1	1	2093701	
8	43451-300-010	ROD COMP., REAR BRAKE	1	1			
	43451-341-000	ROD COMP., REAR BRAKE			1		
9	95015-32001	JOINT, BRAKE ARM	1	1	1		
10	43471-292-010	PIN, BRAKE ROD JOINT	1	1	1		
	95015-52000	PIN, JOINT	1	1	1		
11	43472-212-000	SPRING, REAR BRAKE ROD	1	1	1		
12	43484-250-000	NUT, REAR BRAKE ADJUSTING	1	1	1		
13	46500-300-010	PEDAL, BRAKE 46500-341-000	1	1			
	46500-341-000	PEDAL, BRAKE			1		
14	46510-300-010	SPINDLE COMP., REAR BRAKE	1	1	1		
15	46514-300-000	SPRING, BRAKE PEDAL	1	1	1		
16	92000-06020	BOLT, HEX., 6X20			1		
17	92000-08022-0A	BOLT, HEX., 8X22	1	1	1		
18	92000-08028-0A	BOLT, HEX., 8X28	1	1	1		
19	94002-06000	NUT, HEX., 6MM			1		
20	94111-08000	WASHER, SPRING, 8MM	1	1	1		
21	94201-16150	PIN, SPLIT, 1.6X15	1	1	1		
22	94201-25200	PIN, SPLIT, 2.5X20	2	2	2		

Courtesy of  Honda4Fun
www.hondafour.com www.honda4fun.com

F-20 Rear wheel • Driven sprocket

F-20 Rear wheel • Driven sprocket

Courtesy of  Honda4Fun
www.hondafour.com www.honda4fun.com



Ref. No.	Part No	Description	Reqd. No.		Serial No.	Area code
			CB	K1 K2		
1	40543-300-000	ADJUSTER, DRIVE CHAIN 95014-19000	2	2		
	95014-19000	ADJUSTER, CHAIN		2		
2	41024-300-000	DAMPER SET, REAR WHEEL	1			
3	41205-300-000	SPROCKET, FINAL DRIVEN	1			
	41201-300-870	SPROCKET, FINAL DRIVEN (48T)	1	1		
4	41211-300-000	PLATE, SPROCKET SIDE	1		1026845	
	41211-341-000	PLATE, SPROCKET SIDE		1		
5	41231-283-000	RETAINER, REAR WHEEL BEARING	1	1	1	
6	41231-300-020	RETAINER, REAR WHEEL BEARING	1	1	1	
7	41241-300-020	DAMPER, RIGHT REAR WHEEL 41241-300-030	4		1016996	
	41241-300-030	DAMPER, RIGHT REAR WHEEL 41241-300-040	4		1016997	
	41241-300-040	DAMPER, RIGHT REAR WHEEL	4	4		
8	41242-300-000	DAMPER, LEFT REAR WHEEL 41242-300-010	4		1016996	
	41242-300-010	DAMPER, LEFT REAR WHEEL 41242-300-020	4		1016997	
	41242-300-020	DAMPER, LEFT REAR WHEEL	4	4		
9	42301-300-000	AXLE, REAR WHEEL 42301-300-010	1			
	42301-300-010	AXLE, REAR WHEEL	1	1		
10	42311-300-010	COLLAR, REAR WHEEL SIDE	1	1	1	
11	42313-300-020	COLLAR, REAR BRAKE PANEL SIDE	1	1	1	
12	42601-300-020	HUB COMP., REAR WHEEL 42601-300-030	1			1073285
	42601-300-030	HUB COMP., REAR WHEEL	1	1	1073286	
13	42605-300-000	SLEEVE, REAR AXLE	1	1	1	
14	42606-300-003	SPOKE A, REAR (DA100) 20 20 20				
15	42607-300-003	SPOKE B, REAR (DA100) 20 20 20				
16	42610-300-030	FLANGE, FINAL DRIVEN 42609-341-000	1	1		
	42609-341-000	FLANGE COMP., FINAL DRIVEN		1		
17	42620-300-010	COLLAR, REAR AXLE DISTANCE	1	1	1	
18	42701-300-013	RIM, REAR WHEEL (DA100)	1	1	1	

B300-56

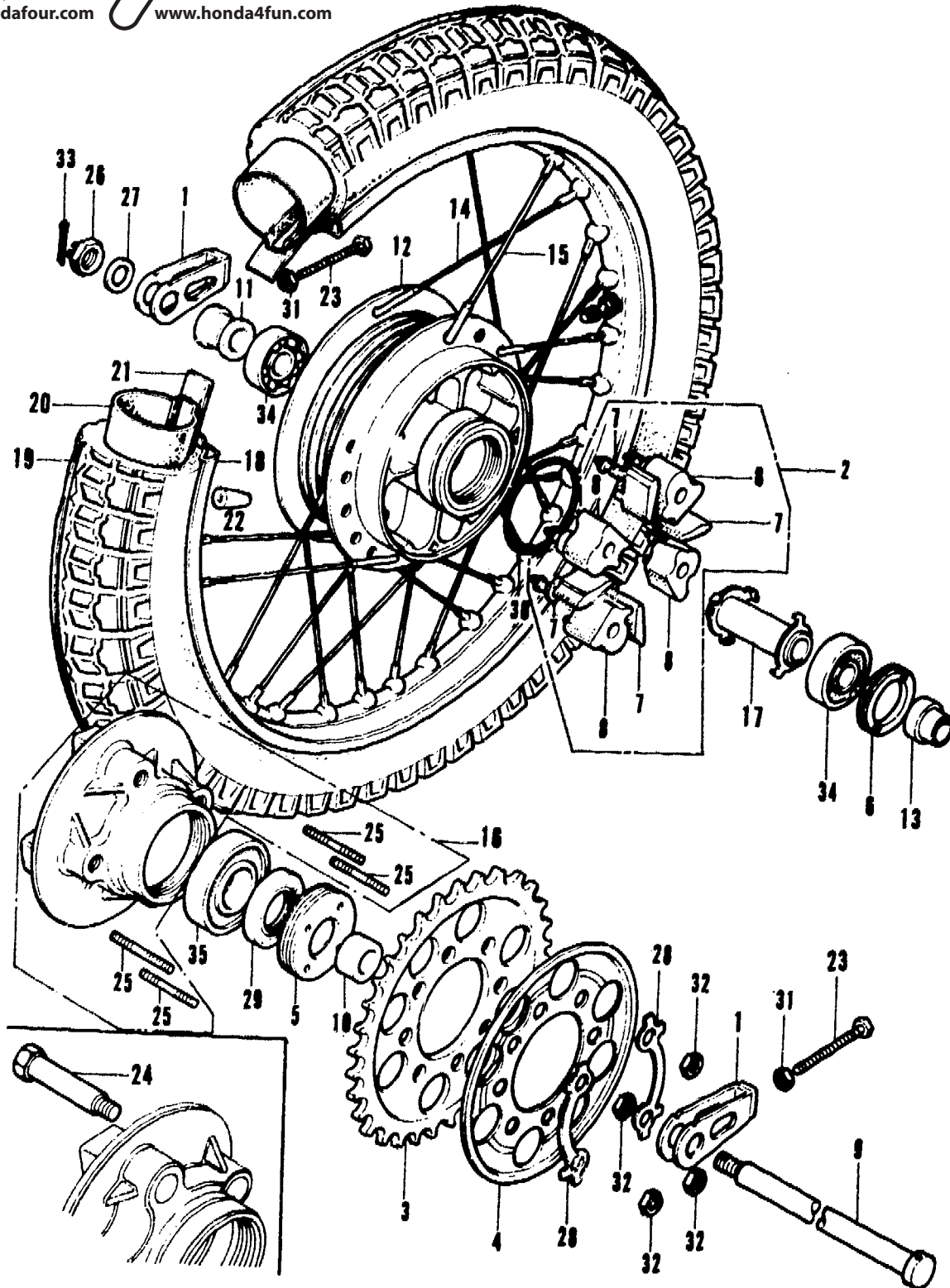
Courtesy of  Honda4Fun
www.hondafour.com www.honda4fun.com

F 10

F-20 Rear wheel • Driven sprocket

F-20 Rear wheel • Driven sprocket

Courtesy of  Honda4Fun
www.hondafour.com www.honda4fun.com



Ref. No.	Part No.	Description	Reqd. No.			Serial No.	Area code
			CB	K1	K2		
19	42711-300-003	TIRE, REAR WHEEL 42711-300-013	1	1		1095605	
	42711-300-004	TIRE, REAR WHEEL 42711-300-014	1	1		1095605	
	42711-300-013	TIRE, REAR WHEEL 42711-341-003	1	1		1095606	2101115
	42711-300-014	TIRE, REAR WHEEL 42711-341-004	1	1		1095606	2101115
	42711-341-003	TIRE, REAR WHEEL			1	2101116	
	42711-341-004	TIRE, REAR WHEEL			1	2101118	
20	42712-300-000	TUBE, REAR WHEEL (4.00-18)	1	1	1		
21	42713-300-000	FLAP, REAR TUBE	1	1	1		
22	44606-283-000	BALANCER (20G)	N	N	N		
	44607-283-000	BALANCER (15G)	N	N	N		
	44608-283-000	BALANCER (10G)	N	N	N		
	44609-283-000	BALANCER (5G)	N	N	N		
23	90119-300-000	BOLT, CHAIN ADJUSTING	2	2	2		
24	90128-300-030	BOLT, FINAL DRIVEN FLANGE	4	4			
25	90128-341-000	BOLT, STUD, 12X54			4		
26	90306-248-000	NUT, REAR WHEEL AXLE	1	1	1		
27	90523-292-000	WASHER 18.5X34	1	1	1		
28	90523-300-000	WASHER, TONGUE, 12MM	2	2	2		
29	90753-283-000	OIL SEAL, 34X55X9	1	1	1		
30	91258-300-013	O-RING, 68X2.6	1	1	1		
31	94002-08000-05	NUT, HEX., 8MM	2	2	2		
32	94030-12000	NUT, HEX., 12MM	4	4	4		
33	94201-40300	PIN, SPLIT, 4.0X30	1	1	1		
34	96120-63040	BEARING, BALL, 6304	2	2	2		
35	96120-63050	BEARING BALL 6305	1	1	1		

B300-56

Courtesy of  Honda4Fun
www.hondafour.com www.honda4fun.com

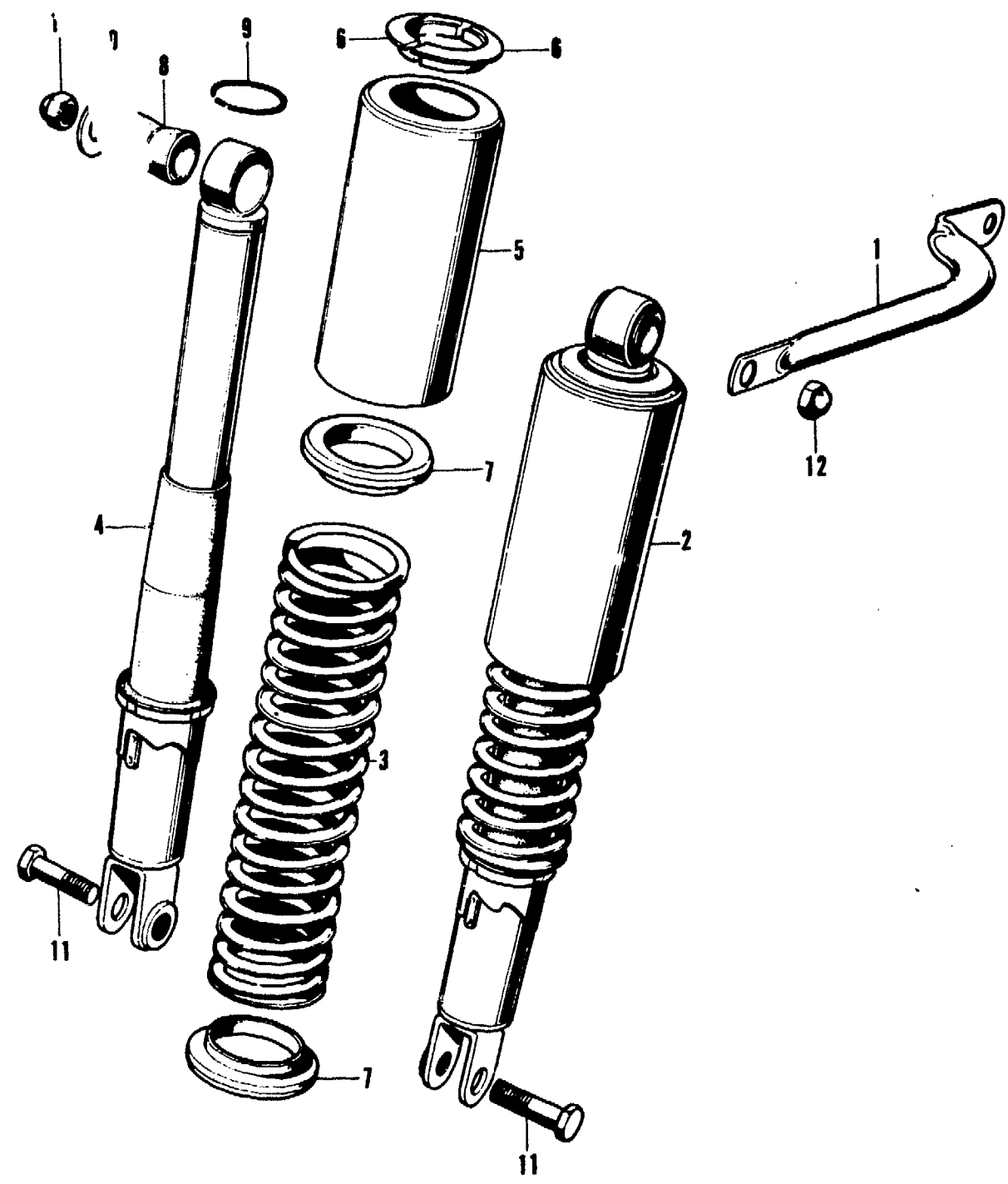
F-21 Rear cushion

F-21 Rear cushion



 Courtesy of www.honda4fun.com

Ref. No.	Part No.	Description	Reqd. No. CB 750 K1 K2	Serial No.	Area code
1	90316-300-030	GRIP, SIDE	1 1		
2	52400-300-010XW	CUSHION ASSY., REAR	2 2	1048751	
	52400-300-020XW	CUSHION ASSY., REAR	2 2	1048752	
3	52401-300-010	SPRING, REAR CUSHION	2 2	1048751	
	52401-300-020	SPRING, REAR CUSHION	2 2	1048752	
4	52410-300-010	DAMPER ASSY., REAR	2 2		
5	52421-300-000XW	CASE, REAR CUSHION UPPER	2 2		
6	52424-292-000	STOPPER, SPRING SEAT	4 4		
7	52459-312-003	SEAT, REAR CUSHION SPRING	4 4	1048752	
8	52484-292-000	RUBBER, JOINT	2 2		
9	52485-300-000	CLIP, SPRING SEAT STOPPER	2 2		
	52446-074-003	STOPPER	2 2		
10	90521-292-000	WASHER, 10.3MM	1 1		
11	93200-10032-08	BOLT, HEX., 10X32	2 2		
12	94022-10020	NUT, HEX., CAP, 10MM	2 2		



B300-57



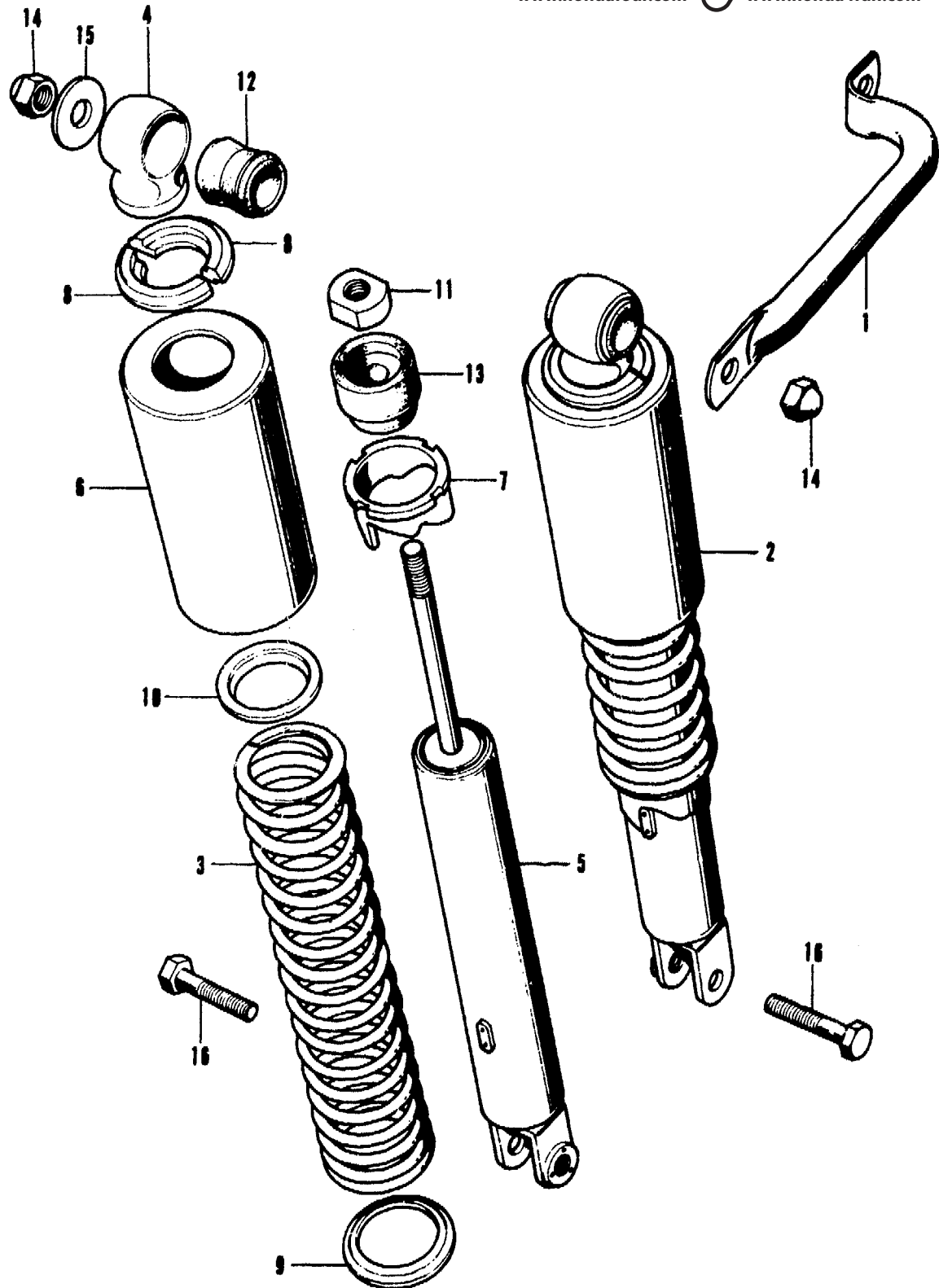
 Courtesy of www.honda4fun.com

F-22 Rear cushion

F 12

F-22 Rear cushion

Courtesy of  Honda4Fun
www.honda4fun.com www.honda4fun.com



Ref. No.	Part No.	Description	Reqd. No.		Serial No.	Area code
			CB	750 K1 K2		
1	50316-300-030	GRIP, SIDE	1			B+E+ED+F+G
2	52400-341-000XN	CUSHION ASSY., REAR	2			
3	52401-341-000	SPRING, REAR CUSHION	2			
4	52403-312-000	JOINT, UPPER	2			
5	52410-341-000	DAMPER COMP., REAR	2			
6	52421-300-000XN	CASE, REAR CUSHION UPPER	2			
7	52422-292-000	ADJUSTER, REAR CUSHION SPRING	2			
8	52424-331-003	STOPPER, SPRING SEAT	4			
9	52458-312-000	SEAT, REAR CUSHION SPRING UNDER	2			
10	52459-312-003	SEAT, REAR CUSHION SPRING	2			
11	52482-312-000	NUT, LOCK, 10MM	2			
12	52484-292-000	RUBBER, JOINT	2			
13	52517-312-000	RUBBER, REAR CUSHION STOPPER	2			
14	90309-315-000	NUT, REAR CUSHION UPPER	2			
15	90521-292-000	WASHER, 10.3MM	1			
16	93200-10032-08	BOLT, HEX., 10X32	2			

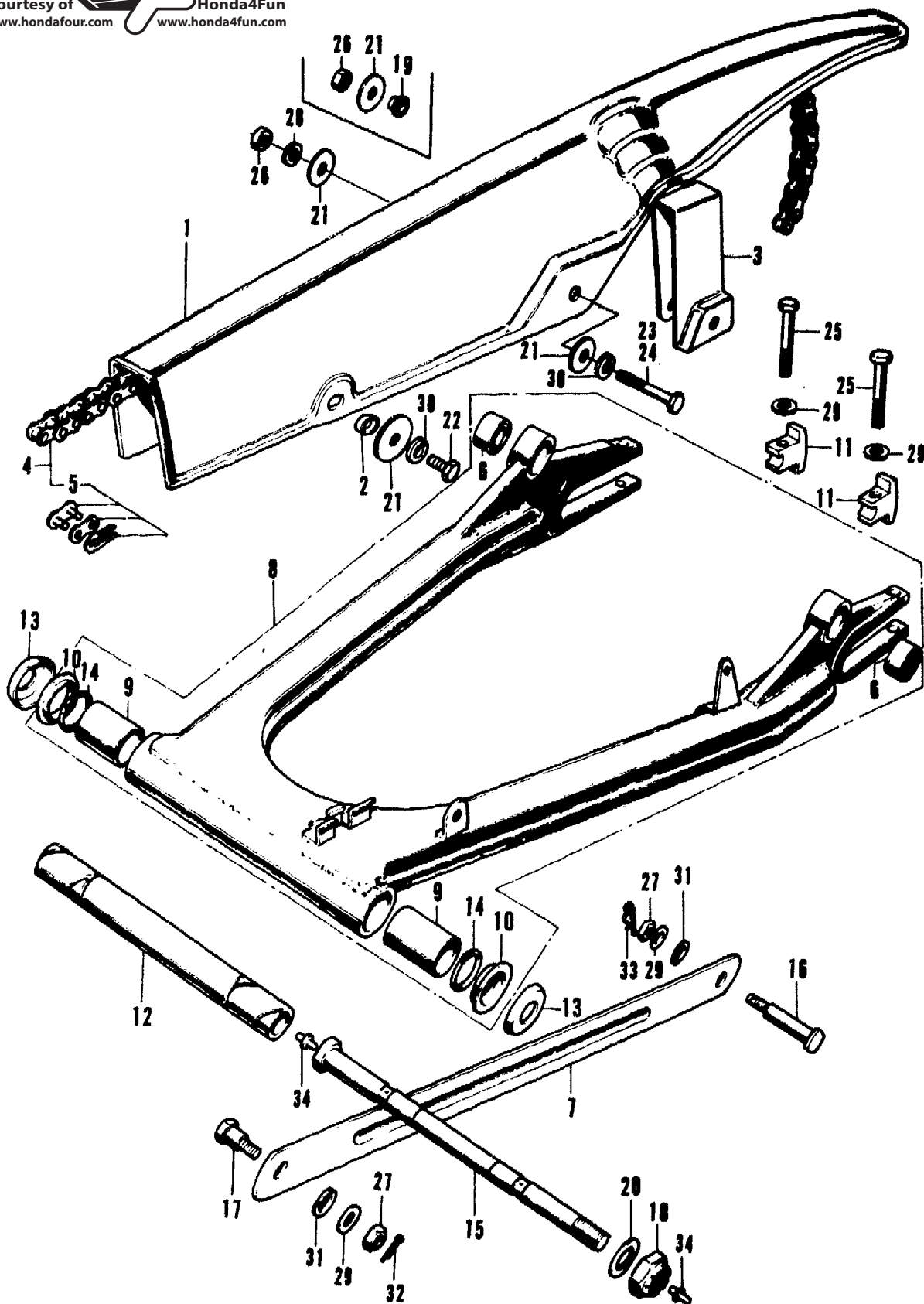
Courtesy of  Honda4Fun
www.honda4fun.com www.honda4fun.com

F 13

F-23 Rear fork • Chain case

F-23 Rear fork • Chain case

Courtesy of  Honda4Fun
www.hondafour.com www.honda4fun.com



300-59A

Ref. No.	Part No.	Description	Reqd. No.			Serial No.	Area code
			CB	750	K1 K2		
1	40510-300-040B 40510-300-050B	CASE, DRIVE CHAIN 40510-300-050B	1			1021879	
	40510-300-050B	CASE, DRIVE CHAIN 40510-300-060B	1			1021880	
	40510-300-060B	CASE, DRIVE CHAIN	1				
	40510-341-010B	CASE, DRIVE CHAIN	1	1			
2	40511-300-000	COLLAR, CHAIN CASE	1	1			
3	40512-300-000	PLATE, DRIVE CHAIN CASE	1	1		1026845	
4	40530-300-003 40530-300-503	CHAIN, DRIVE 40530-341-305	1				
	40530-300-810	CHAIN, DRIVE 40530-300-503	1	1		2031362	
	40530-341-305	CHAIN, DRIVE (100L DAIDO)	1			2031363	
5	40531-300-003 40531-300-750 40531-300-751	JOINT, DRIVE CHAIN (DID50HD) JOINT, DRIVE CHAIN JOINT, DRIVE CHAIN (DID50HD) (STAKING TYPE)	1				1070548
	40531-300-305	JOINT, DRIVE CHAIN (DAIDO)(1) (Are available for WHITNEY DRIVE CHAIN only)	1			1070549	2031362
	40531-300-315	JOINT, DRIVE CHAIN (DAIDO) (1) (Are available for WHITNEY DRIVE CHAIN only)	1				
	40531-341-305	JOINT, DRIVE CHAIN (STAKING TYPE)	1			2031363	
6	40548-268-000	BUSH, REAR CUSHION UNDER RUBBER	2	2	2		
7	43431-286-010	ARM, REAR BRAKE STOPPER	1	1	1		
8	52100-300-030B 52100-300-040B 52100-300-050B 52100-341-000B	FORK COMP., REAR 52100-300-040B FORK COMP., REAR FORK COMP., REAR FORK COMP., REAR	1			1026844	
	52108-292-300 52108-300-300	BUSH, REAR FORK PIVOT BUSH, REAR FORK PIVOT	2			1026642	
	52109-283-300	BUSH, REAR FORK PIVOT THRUST	2	2	2	1026643	
11	52136-300-000	STOPPER, CHAIN ADJUSTER	2	2	2		
12	52141-300-000	COLLAR, REAR FORK CENTER	1	1	1		
13	52144-283-010	CAP, REAR FORK DUST SEAL	2	2	2		
14	52145-283-000	RING, REAR FORK FELT	2	2	2		
15	90121-300-000	BOLT, REAR FORK PIVOT	1	1	1		
16	90127-283-000 90127-323-000	BOLT, REAR BRAKE PANEL STOPPER BOLT, REAR BRAKE STOPPER ARM	1	1	1	2065309	
			1			2065310	

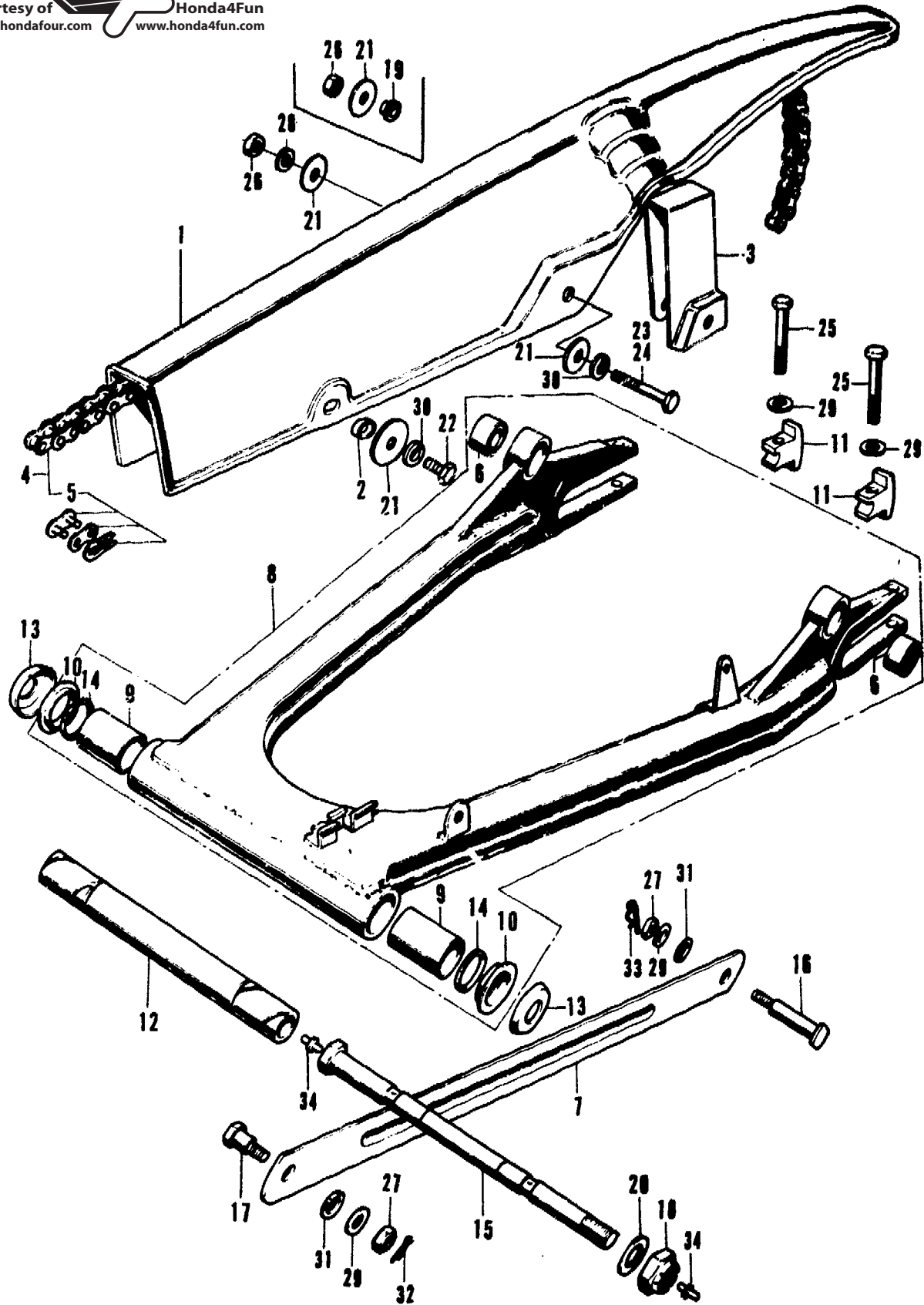
Courtesy of  Honda4Fun
www.hondafour.com www.honda4fun.com

F 14

F-23 Rear fork • Chain case

F-23 Rear fork • Chain case

Courtesy of  Honda4Fun
www.honda4fun.com www.honda4fun.com



Ref. No.	Part No.	Description	Reqd. No.		Serial No.	Area code
			CB	750 K1 K2		
17	90133-286-000	BOLT, REAR BRAKE STOPPER ARM	1	1		
18	90354-268-000	NUT, SELF LOCK, 14MM	1	1		
19	90512-300-000	WASHER, 6X20	2	2		
20	90526-268-000	WASHER, REAR FORK PIVOT BOLT	1	1		
21	90581-701-000	WASHER, 18MM	3	2	1026845	1026844
22	92000-06012	BOLT, HEX., 6X12	1	1		
23	92000-06014	BOLT, HEX., 6X14		3		
24	92000-06071	BOLT, HEX., 6X71	1			1026844
	92000-06020	BOLT, HEX., 6X20	1	1	1026845	
25	92000-08040-0A	BOLT, HEX., 8X40	2	2		
26	94001-06000	NUT, HEX., 6MM	1	1		
27	94001-08000-0S	NUT, HEX., 8MM	2	2		
28	94101-06000	WASHER, PLAIN, 6MM	1	1	1026845	
29	94101-08000	WASHER, PLAIN, 8MM	2	2		
				4	2065310	2065309
30	94111-08000	WASHER, SPRING, 8MM	1	1	1026845	
31	94111-10000	WASHER, SPRING, 10MM	2	2		
32	94201-20180	PIN, SPLIT, 2.0X18	1	1		
33	94251-08000	PIN, LOCK, 8MM	1	1		
34	96201-30001	NIPPLE, GREASE, A.45	2	2		

300-59A

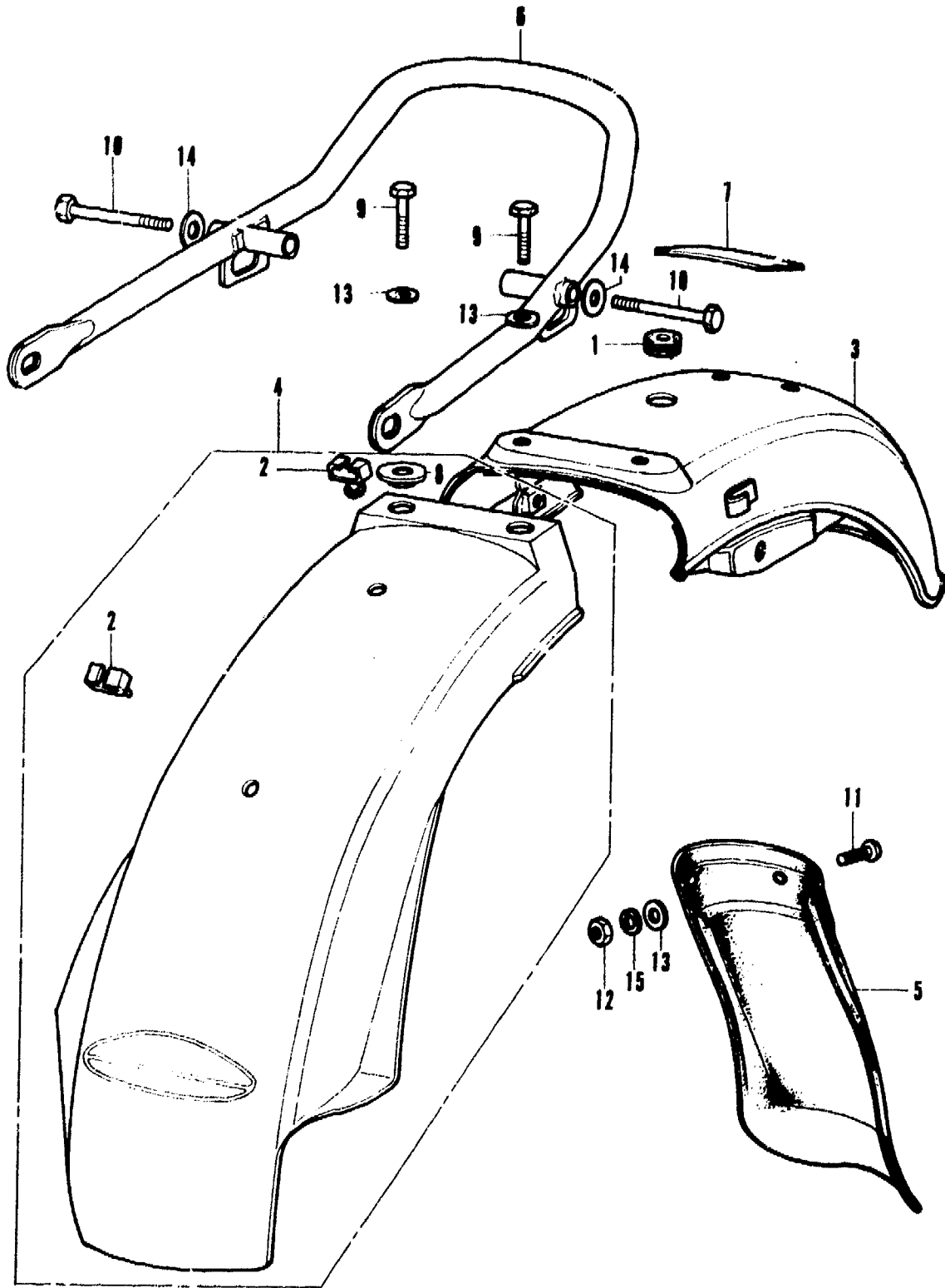
Courtesy of  Honda4Fun
www.honda4fun.com www.honda4fun.com

F 15

F-24 Rear fender

F-24 Rear fender

Courtesy of  Honda4Fun
www.hondafour.com www.honda4fun.com



B300-60A

Ref. No.	Part No.	Description	Reqd. No.		Serial No.	Area code
			CB	750 K1 K2		
1	32983-011-000	GROMMET, WIRE CORD	1	1		
2	32985-300-000	GROMMET, WIRE CORD	2	2		
3	80100-300-020XH	FENDER A COMP., REAR	1			A+U
	80100-300-600XH	FENDER COMP., REAR	1	1		E
	80100-300-610XH	FENDER COMP., REAR	1	1		G+H
	80100-300-620XH	FENDER COMP., REAR	1			F
	80100-300-030XH	FENDER A COMP., REAR	1			A+U+U
	80100-300-621XH	FENDER COMP., A, REAR	1	1		F
	80100-300-730XH	FENDER COMP., REAR	1		1092166	ED
	80100-300-731XH	FENDER COMP., REAR	1	1	1092167	ED EU
	80100-341-000	FENDER COMP., A, REAR	1	1		A+U
4	80105-300-000	FENDER B, REAR	1			
	80105-300-010	FENDER B, REAR	1			
	80105-341-000	FENDER B, REAR	1			
5	80121-300-730	HADGUARD, REAR FENDER	1		1097080	EU
	80121-300-731	HADGUARD, REAR FENDER	1	1	1097081	EU ED
6	84101-341-671	BUMPER, REAR	1			A
	84101-341-700	BUMPER, REAR	1			
7	87505-300-670	MARK, TIRE CAUTION	1	1	1013459	
	87505-341-670	MARK, TIRE CAUTION	1			2101115
	87505-341-771	MARK, TIRE CAUTION	1		2101116	
8	90512-300-000	WASHER, 6X20	2	2		
	90513-323-000	WASHER, 6X9	2			
9	92000-06028	BOLT, HEX., 6X28	2	2		
10	92100-08080-08	BOLT, HEX., 8X80	2			A
11	93500-06020-49	SCREW, PAN, 6X20	3	3		ED
12	94001-06000	NUT, HEX., 6MM	3	3		ED
13	94101-06000	WASHER, PLAIN, 6MM	2	2		A, D, E, F, G, H, U
			5	5		ED
14	94102-08200	WASHER, PLAIN, 8MM	2			A
15	94111-06000	WASHER, SPRING, 6MM	3	3		ED

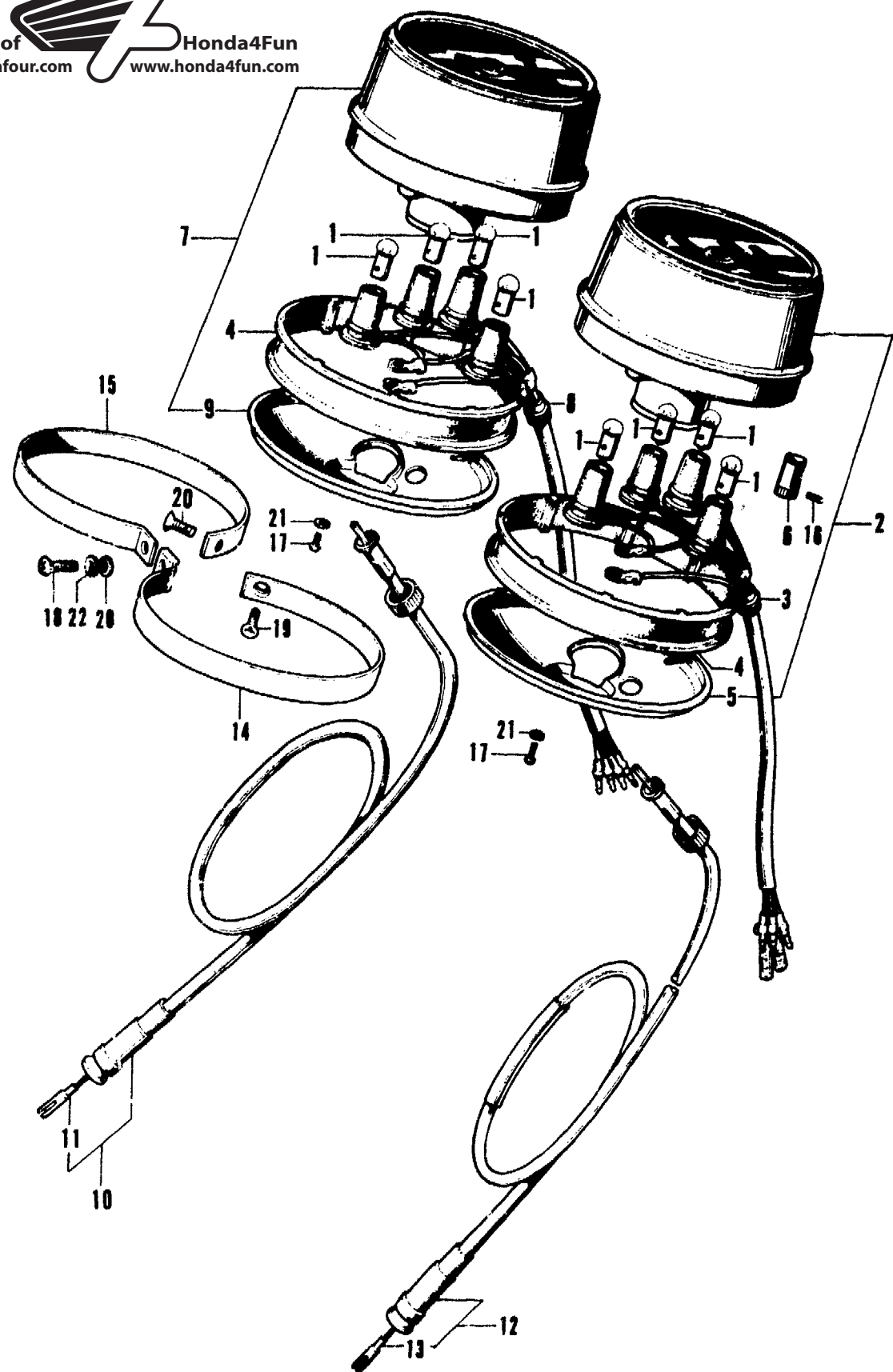
Courtesy of  Honda4Fun
www.hondafour.com www.honda4fun.com

F 16

F-25 Speedometer • Tachometer

F-25 Speedometer • Tachometer

Courtesy of  Honda4Fun
www.hondafour.com www.honda4fun.com



Ref. No.	Part No.	Description	Reqd. No.			Serial No.	Area code
			CB	K1	K2		
1	34902-259-000	BULB, BUSH (12V 3.4W)	8	8	4		
2	37230-300-621	SPEEDOMETER ASSY. (KM)	1				F, G, H
	37230-300-671	SPEEDOMETER ASSY. (MILE)	1				A, E, U
	37230-300-622	SPEEDOMETER ASSY. (KM)	1				D, E, D, F, G, H
	37230-300-623	SPEEDOMETER ASSY. (KM)	1				D, E, D, F, G, H
	37230-300-672	SPEEDOMETER ASSY. (MILE)	1				A, D, E, U
	37230-341-621	SPEEDOMETER ASSY. (KM)	1			2066241	D, E, U, F, G
	37230-341-671	SPEEDOMETER ASSY. (MILE)	1			2066241	A, D, E
	37230-341-622	SPEEDOMETER ASSY. (KM)	1			2066242	D, E, D, F, G
	37230-341-672	SPEEDOMETER ASSY. (MILE)	1			2066242	A, D, E
3	37234-300-009	SOCKET COMP., SPEEDOMETER	1	1			
	37234-341-009	SOCKET COMP., SPEEDOMETER	1				
4	37235-300-009	CUSHION, SPEEDOTACHOMETER	2			1003433	
	37235-300-019	CUSHION, SPEEDOTACHOMETER	2			1003434	
	37235-300-029	CUSHION, SPEEDOTACHOMETER	2				
	37235-341-621	CUSHION, SPEEDOMETER	2			2066241	
	37235-341-671	CUSHION, SPEEDOMETER	2			2066242	
5	37236-300-009	PLATE, SPEEDOMETER UNDER	1	1			
	37236-300-305	PLATE, SPEEDOMETER UNDER	1	1		2066241	
	37236-341-621	PLATE, SPEEDOMETER UNDER	1			2066242	
6	37237-300-000	KNOB, TRIP METER	1	1	1		
7	37240-300-019	TACHOMETER ASSY.	1				
	37240-300-020	TACHOMETER ASSY.	1				
	37240-341-009	TACHOMETER ASSY. (KM)	1			2066241	
	37240-341-621	TACHOMETER ASSY. (KM)	1			2066242	
8	37244-300-009	SOCKET COMP., TACHOMETER	1	1			
	37244-341-009	SOCKET COMP., TACHOMETER	1				
9	37246-300-009	PLATE, TACHOMETER UNDER	1	1			
	37246-300-305	PLATE, TACHOMETER UNDER	1	1		2066241	
	37246-341-621	PLATE, TACHOMETER UNDER	1			2066242	
10	37260-300-000	CABLE ASSY., TACHOMETER	1	1	1		
11	37261-300-000	CABLE, TACHOMETER INNER	1	1	1		
12	44830-300-010	CABLE ASSY., SPEEDOMETER	1			1003433	
	44830-300-672	CABLE ASSY., SPEEDOMETER	1			1003434	
13	44831-300-000	CABLE, SPEEDOMETER INNER	1			1003433	
	44831-300-672	CABLE, SPEEDOMETER INNER	1			1003434	
14	53231-300-000	BRACKET, SPEEDOMETER	1	1	1		
15	53232-300-000	BRACKET, TACHOMETER	1	1	1		
16	90168-300-000	SCREW, TRIPMETER	1	1	1		
17	93500-03005-08	SCREW, PAN, 3X5	4	4	4		
18	93500-05020-4J	SCREW, PAN, 5X20	1	1	1		
19	93600-05014-08	SCREW, FLAT, 5X14	2	2	2		
20	94101-05000	WASHER, PLAIN, 5MM	1	1	1		
21	94111-03200	WASHER, SPRING, 3MM	4	4	4		
	94111-03000	WASHER, SPRING, 3MM	4	4	4		
22	94111-05000	WASHER, SPRING, 5MM	1	1	1		

B300-85

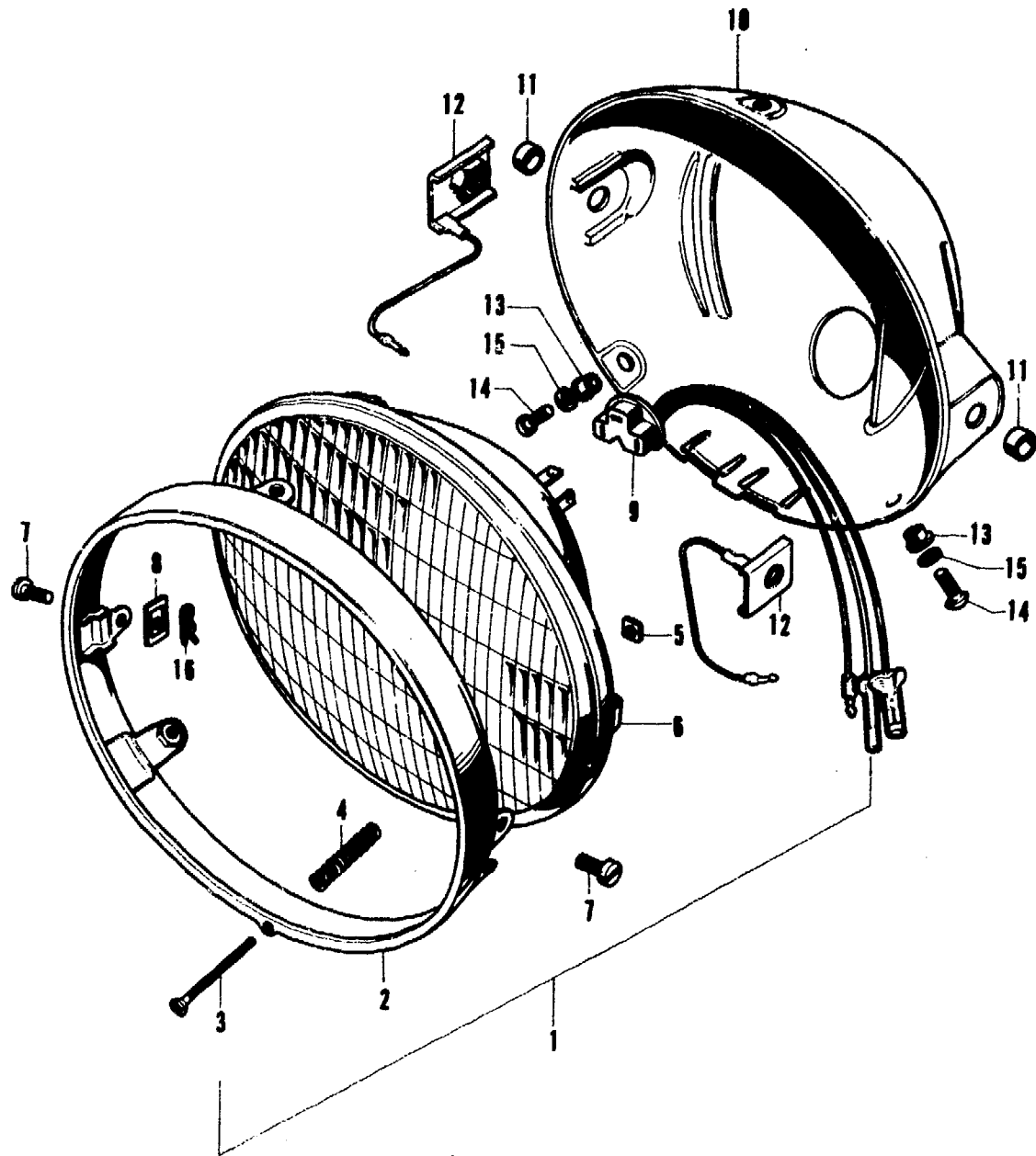
Courtesy of  Honda4Fun
www.hondafour.com www.honda4fun.com

F-26 Headlight



F-26 Headlight

Courtesy of  Honda4Fun
 www.hondafour.com www.honda4fun.com



Ref. No.	Part No.	Description	Reqd. No.			Serial No.	Area code
			CB	K1	K2		
1	33100-300-043	LIGHT ASSY., HEAD	1	1			0,U
2	33101-300-043	RIM, HEAD LIGHT	1	1			0,U
3	33103-300-003	SCREW, HEAD LIGHT BLAM ADJUSTING	1	1			0,U
4	33107-300-003	SPRING, HEAD LIGHT BEAM ADJUSTING	1	1			0,U
5	33117-292-003	NUT, BEAM ADJUST (STANLEY)	1	1			0,U
6	33120-300-013	LIGHT UNIT, HEAD	1	1			0,U
7	33125-292-670	SCREW, UNIT HOLDER	2	2			0,U
8	33128-200-030	NUT, UNIT HOLDER	2	2			0,U
9	33130-300-003	SOCKET COMP., HEAD LIGHT (STANLEY)	1	1			0,U
10	61301-300-010AZ	CASE, HEAD LIGHT	1				0,U
	61301-300-010CM	CASE, HEAD LIGHT	1				0,U
	61301-300-010CQ	CASE, HEAD LIGHT	1				0,U
	61301-300-010EE	CASE, HEAD LIGHT	1				0,U
	61301-300-010EF	CASE, HEAD LIGHT	1				0,U
	61301-300-010EG	CASE, HEAD LIGHT	1				0,U
	61301-300-010H	CASE, HEAD LIGHT		1			0
11	61302-300-000	COLLAR, HEAD LIGHT CASE	2	2			0,U
12	61303-292-000	WASHER, HEAD LIGHT CASE	2				0,U
	61303-336-000	WASHER, HEAD LIGHT CASE		2			0
13	61304-292-000	COLLAR, HEAD LIGHT SETTING	3	3			0,U
14	93500-05016-08	SCREW, PAN, 5X16	3	3			0,U
15	94111-05000	WASHER, SPRING, 5MM	3	3			0,U
16	94251-05000	PIN, LOCK, 5MM	2	2			0,U

B300-81

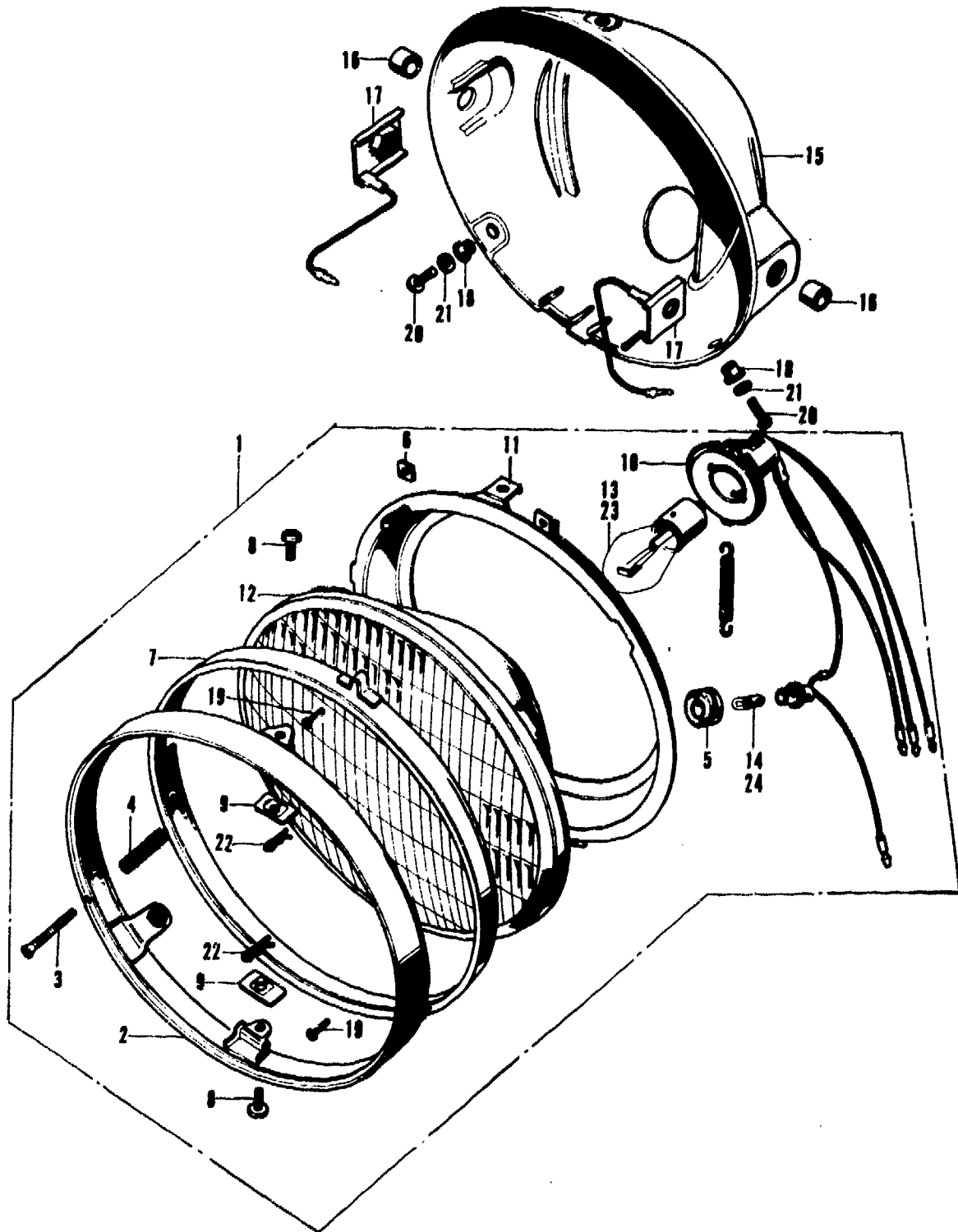
Courtesy of  Honda4Fun
 www.hondafour.com www.honda4fun.com

F-27 Headlight



F-27 Headlight

Courtesy of  Honda4Fun
 www.hondafour.com www.honda4fun.com



Ref. No.	Part No.	Description	Reqd. No.		Serial No.	Area code
			CB	K1 K2		
1	33100-300-600	LIGHT ASSY., HEAD (12V 35/35W.4W)	1	1		E
	33100-300-610	LIGHT ASSY., HEAD (12V.36-36W)	1	1		ED,G
2	33101-300-673	RIM, HEAD LIGHT	1	1		E,ED,G
3	33103-300-003	SCREW, HEAD LIGHT BEAM ADJUSTING	1	1		E,ED,G
4	33107-300-003	SPRING, HEAD LIGHT BEAM ADJUSTING	1	1		E,ED,G
5	33108-568-610	RUBBER, JOINT	1	1		E,ED,G
6	33117-292-003	NUT, BEAM ADJUST (STANLEY)	1	1		E,ED,G
7	33121-300-672	RING, RETAINING	1	1		E,ED,G
8	33125-292-670	SCREW, UNIT HOLDER	2	2		E,ED,G
9	33128-292-670	NUT, UNIT HOLDER	2	2		E,ED,G
10	33130-300-611	SOCKET, HEAD LIGHT & MARKER	1	1		E,ED,G
11	33153-300-622	RING, MOUNTING	1	1		E,ED,G
12	33321-533-611	UNIT, HEAD LIGHT	1	1		E,ED,G
13	34901-259-611	BULB, HEAD LIGHT (12V 35/35W)	1	1		E
14	34902-259-610	BULB, MARKER LIGHT (12V 4W)	1	1		E
15	61301-300-010AZ	CASE, HEAD LIGHT	1	1		E,ED,G
	61301-300-010CM	CASE, HEAD LIGHT	1	1		E,ED,G
	61301-300-010CQ	CASE, HEAD LIGHT	1	1	1019210	L,G E,ED,G
	61301-300-010EE	CASE, HEAD LIGHT	1	1		E,ED,G
	61301-300-010EF	CASE, HEAD LIGHT	1	1		E,ED,G
	61301-300-010EG	CASE, HEAD LIGHT	1	1		E,ED,G
	61301-300-010H	CASE, HEAD LIGHT		1		E,ED,G
16	61302-300-000	COLLAR, HEAD LIGHT CASE	2	2		E,ED,G
17	61303-292-000	WASHER, HEAD LIGHT CASE	2	2		E,ED,G
	61303-336-010B	WASHER, HEAD LIGHT CASE		2		E,ED,G
18	61304-292-000	COLLAR, HEAD LIGHT SETTING	3	3		E,ED,G
19	93500-03010-08	SCREW, PAN, 3X10	2	2		E,ED,G
20	93500-05016-08	SCREW, PAN, 5X16	3	3		E,ED,G
21	94111-05000	WASHER, SPRING, 5MM	3	3		E,ED,G
22	94251-05000	PIN, LOCK, 5MM	2	2		E,ED,G
23		BULB, HEAD LIGHT (12V 36/35W) (Locally procurement)	1	1		ED,G
24		BULB, MARKER LIGHT (Locally procurement)	1	1		ED,G

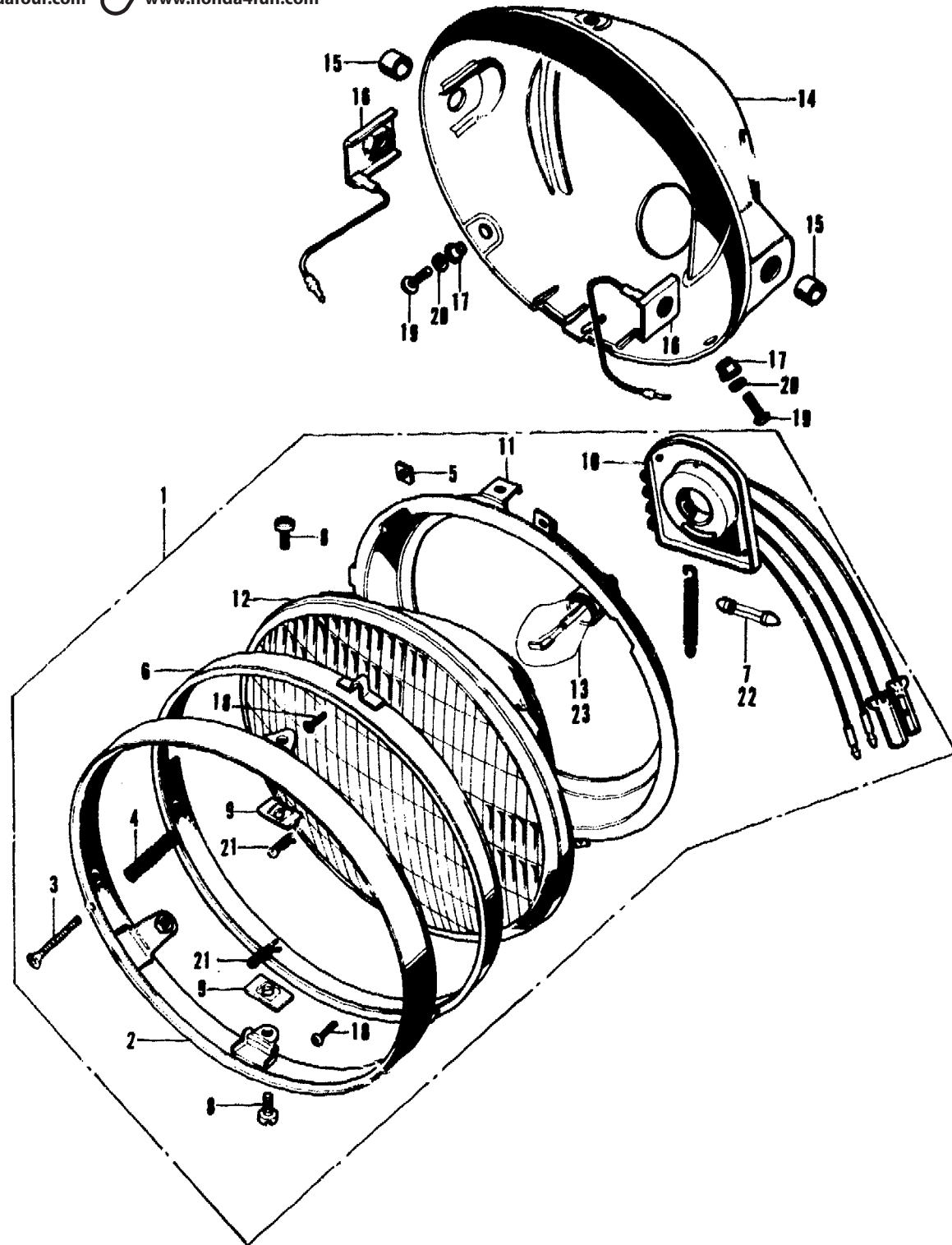
B300-82

Courtesy of  Honda4Fun
 www.hondafour.com www.honda4fun.com

F-28 Headlight

F-28 Headlight

Courtesy of  Honda4Fun
www.hondafour.com www.honda4fun.com



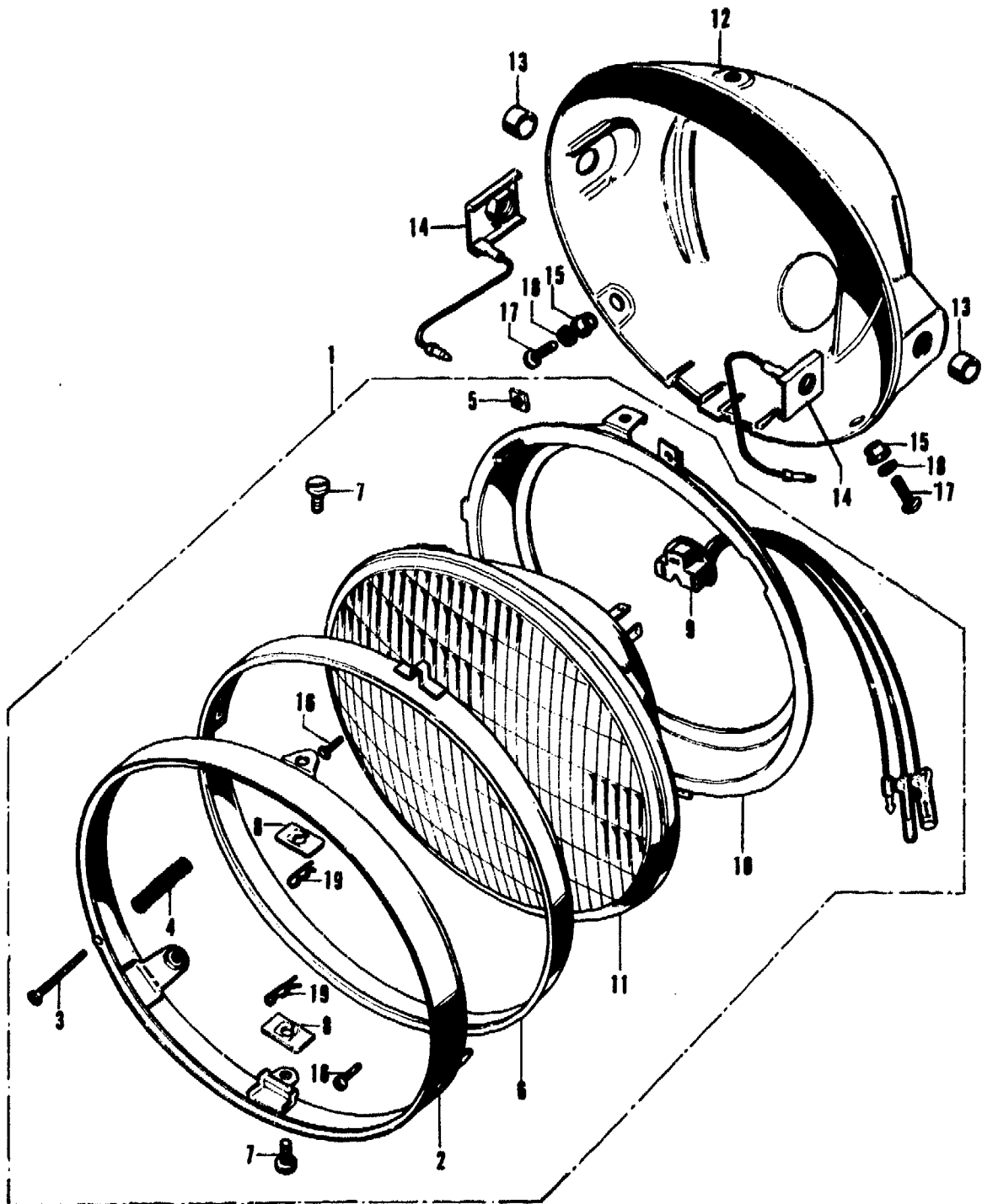
Ref. No.	Part No.	Description	Reqd. No.			Serial No.	Area code
			CB	K1	K2		
1	33100-300-621	LIGHT ASSY., HEAD (12V.36-45W)	1	1	1		F
	33100-300-690	LIGHT ASSY., HEAD 33100-300-610		1			H
	33100-300-610	LIGHT ASSY., HEAD (12V.36-36W)		1			H
2	33101-300-673	RIM, HEAD LIGHT	1	1	1		F&H
3	33103-300-003	SCREW, HEAD LIGHT BEAM ADJUSTING	1	1	1		F&H
4	33107-300-003	SPRING, HEAD LIGHT BEAM ADJUSTING	1	1	1		F&H
5	33117-292-003	NUT, BEAM ADJUST (STANLEY)	1	1	1		F&H
6	33121-300-672	RING, RETAINING	1	1	1		F&H
7	33123-568-740	BULB, MARKER LIGHT (12V.4W)	1	1			H
8	33125-292-670	SCREW, UNIT HOLDER	2	2	2		F&H
9	33128-292-670	NUT, UNIT HOLDER	2	2	2		F&H
10	33130-300-621	SOCKET, HEAD LIGHT	1	1	1		F&H
11	33153-300-622	RING, MOUNTING	1	1	1		F&H
12	33321-533-621	UNIT, HEAD LIGHT	1	1	1		F&H
13	33322-533-721	BULB, HEAD LIGHT (12V.36/36W)	1	1			H
14	61301-300-010AZ	CASE, HEAD LIGHT	1	1			F&H
	61301-300-010CH	CASE, HEAD LIGHT	1	1			F&H
	61301-300-010CQ	CASE, HEAD LIGHT	1	1		1019210	F&H F&H
	61301-300-010EE	CASE, HEAD LIGHT	1	1			F&H
	61301-300-010EF	CASE, HEAD LIGHT	1	1			F&H
	61301-300-010EG	CASE, HEAD LIGHT	1	1			F&H
	61301-300-010B	CASE, HEAD LIGHT			1		F
15	61302-300-000	COLLAR, HEAD LIGHT CASE	2	2	2		F&H
16	61303-292-000	WASHER, HEAD LIGHT CASE	2	2			F&H
	61301-336-000	WASHER, HEAD LIGHT CASE		2			F
17	61304-292-000	COLLAR, HEAD LIGHT SETTING	3	3	3		F&H
18	93500-03010-08	SCREW, PAN, 3X10	2	2	2		F&H
19	93500-05016-08	SCREW, PAN, 5X16	3	3	3		F&H
20	94111-05000	WASHER, SPRING, 5MM	3	3	3		F&H
21	94251-05000	PIN, LOCK, 5MM	2	2	2		F&H
22		BULB, MARKER LIGHT (12V 4W) (Locally procurement)	1	1	1		F
23		BULB, HEAD LIGHT (Locally procurement)	1	1	1		F

Courtesy of  Honda4Fun
www.hondafour.com www.honda4fun.com

F-29 Headlight

F-29 Headlight

Courtesy of  Honda4Fun
 www.hondafour.com www.honda4fun.com



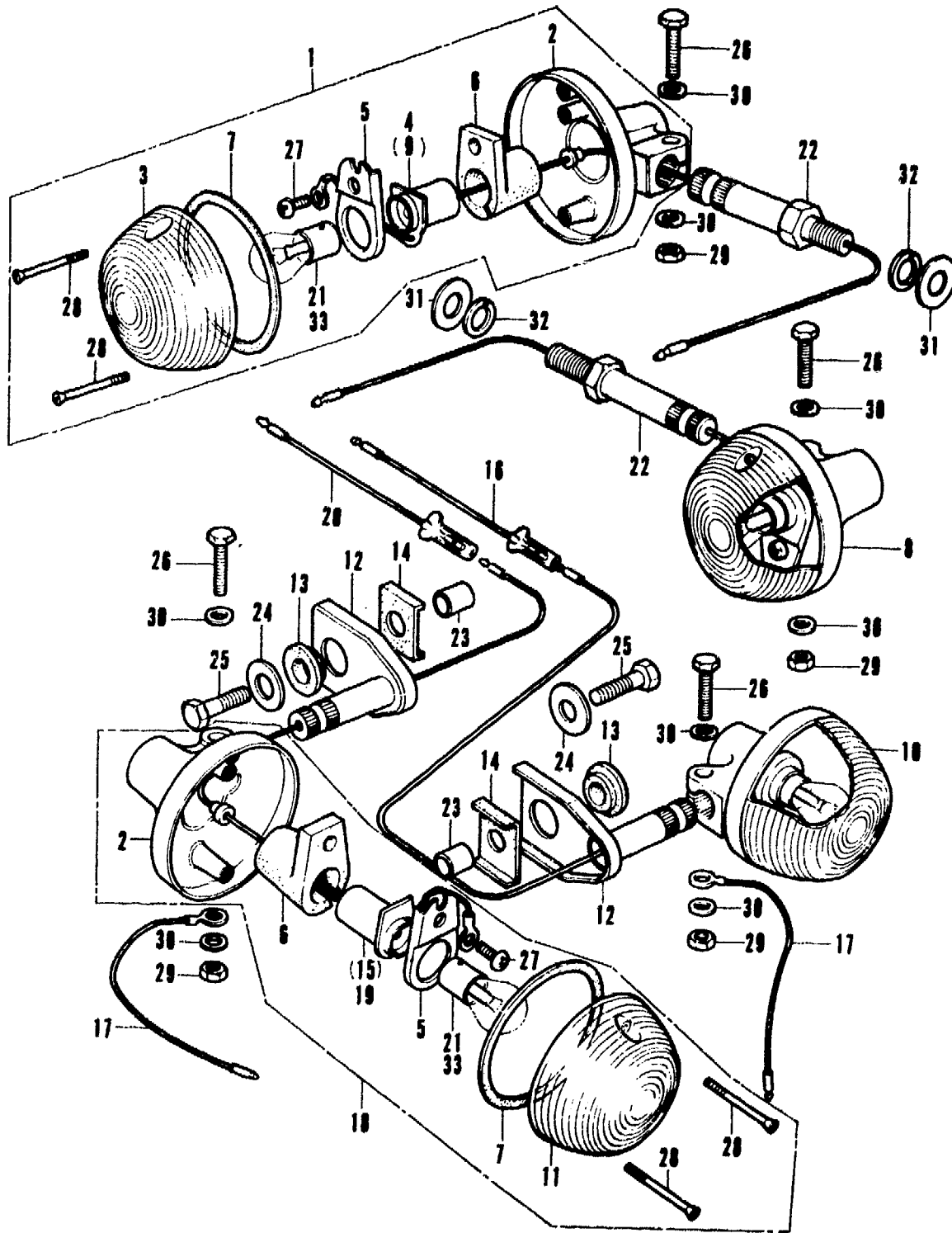
Ref. No.	Part No.	Description	Reqd. No.			Serial No.	Area code
			CB	K1	K2		
1	33100-300-673	LIGHT ASSY., HEAD	1	1	1		A U
2	33101-300-673	RIM, HEAD LIGHT	1	1	1		A U
3	33103-300-003	SCREW, HEAD LIGHT BEAM ADJUSTING	1	1	1		A U
4	33107-300-003	SPRING, HEAD LIGHT BEAM ADJUSTING	1	1	1		A U
5	33117-292-003	NUT, BEAM ADJUST (STANLEY)	1	1	1		A U
6	33121-300-672	RING, RETAINING	1	1	1		A U
7	33125-292-670	SCREW, UNIT HOLDER	2	2	2		A U
8	33128-292-670	NUT, UNIT HOLDER	2	2	2		A U
9	33130-300-003	SOCKET COMP., HEAD LIGHT (STANLEY)	1	1	1		A U
10	33153-300-671	RING, MOUNTING	1	1	1		A U
11	33321-505-003	UNIT, SEALED BEAM (STANLEY)	1	1	1		A U
12	61301-300-010A2	CASE, HEAD LIGHT	1	1			A U
	61301-300-010CH	CASE, HEAD LIGHT	1	1			A U
	61301-300-010CQ	CASE, HEAD LIGHT	1	1		1019210	A U
	61301-300-010EE	CASE, HEAD LIGHT	1	1			A U
	61301-300-010EF	CASE, HEAD LIGHT	1	1			A U
	61301-300-010EG	CASE, HEAD LIGHT	1	1			A U
	61301-300-010H	CASE, HEAD LIGHT			1		A U
13	61302-300-000	COLLAR, HEAD LIGHT CASE	2	2	2		A U
14	61303-292-000	WASHER, HEAD LIGHT CASE	2	2			A U
	61303-336-000	WASHER, HEAD LIGHT CASE			2		A U
15	61304-292-000	COLLAR, HEAD LIGHT SETTING	3	3	3		A U
16	93500-03010-08	SCREW, PAN, 3X10	2	2	2		A U
17	93500-05016-08	SCREW, PAN, 5X16	3	3	3		A U
18	94111-05000	WASHER, SPRING, 5MM	3	3	3		A U
19	94251-05000	PIN, LOCK, 5MM	2	2	2		A U

Courtesy of  Honda4Fun
 www.hondafour.com www.honda4fun.com

F-30 Winker

F-30 Winker

Courtesy of  Honda4Fun
www.hondafour.com www.honda4fun.com



Ref. No.	Part No.	Description	Reqd. No.			Serial No.	Area code
			CB	K1	K2		
1	33400-292-670	LIGHT ASSY., RIGHT FRONT WINKER	1	1			A,U
	33400-317-730	WINKER ASSY., RIGHT FRONT	1	1	1		D,E,F
			1	1			ED
2	33401-292-003	BASE, WINKER	4	4	4		A,U
			4	4	4		D,E,ED,F
3	33402-268-671	LENS, FRONT WINKER	2	2	2		A,U
			2	2	2		D,E,ED,F
4	33402-292-003	SOCKET, RIGHT FRONT WINKER	1	1	1		A,U
			1	1	1		D,E,ED,F
5	33407-284-000	HOLDER, FRONT WINKER SOCKET	4	4	4		A,U
			4	4	4		D,E,ED,F
6	33408-284-000	RUBBER, WINKER CUSHION	4	4	4		A,U
			4	4	4		D,E,ED,F
7	33443-268-671	PACKING, FRONT WINKER LENS	4	4	4		A,U
			4	4	4		D,E,ED,F
8	33450-292-670	LIGHT ASSY., LEFT FRONT WINKER	1	1	1		A,U
	33450-317-730	WINKER ASSY., LEFT FRONT	1	1	1		D,E,F
			1	1	1		ED
9	33453-292-003	SOCKET COMP., LEFT WINKER	1	1	1		A,U
			1	1	1		D,E,ED,F
10	33600-300-000	WINKER ASSY., RIGHT REAR	1	1	1		A,U
	33600-317-730	WINKER ASSY., RIGHT REAR	1	1	1		D,E,F
	33600-323-631	WINKER ASSY., RIGHT REAR			1		ED
11	33402-268-671	LENS, FRONT WINKER	2	2	2		A,F,U
			2	2	2		D,E
12	33602-323-631	LENS, REAR WINKER		2	2		ED
13	33607-292-000B	STAY, RIGHT REAR WINKER MOUNT	2	2	2		A,U
			2	2	2		D,E,ED,F
14	33608-286-000	RUBBER, REAR WINKER MOUNT	2	2	2		A,U
			2	2	2		D,E,ED,F
15	33610-300-000	SOCKET COMP., RIGHT REAR WINKER	1	1	1		A,U
			1	1	1		D,E,F
			1	1	1		ED
	33402-292-003	SOCKET, RIGHT FRONT WINKER		1			ED
16	33615-300-730	SUB CORD, RIGHT REAR WINKER		1			ED
17	33620-300-000	CORD, REAR WINKER EARTH	2	2	2		A,U
			2	2	2		D,E,ED,F
18	33650-300-000	WINKER ASSY., LEFT REAR	1	1	1		A,U
	33650-317-730	WINKER ASSY., LEFT REAR	1	1	1		D,E,F
			1	1	1		ED
	33650-323-631	WINKER ASSY., LEFT REAR			1		ED
19	33660-300-000	SOCKET COMP., LEFT REAR WINKER	1	1	1		A,U
			1	1	1		D,E,ED
			1	1	1		ED
	33453-292-003	SOCKET COMP., LEFT WINKER		1			ED

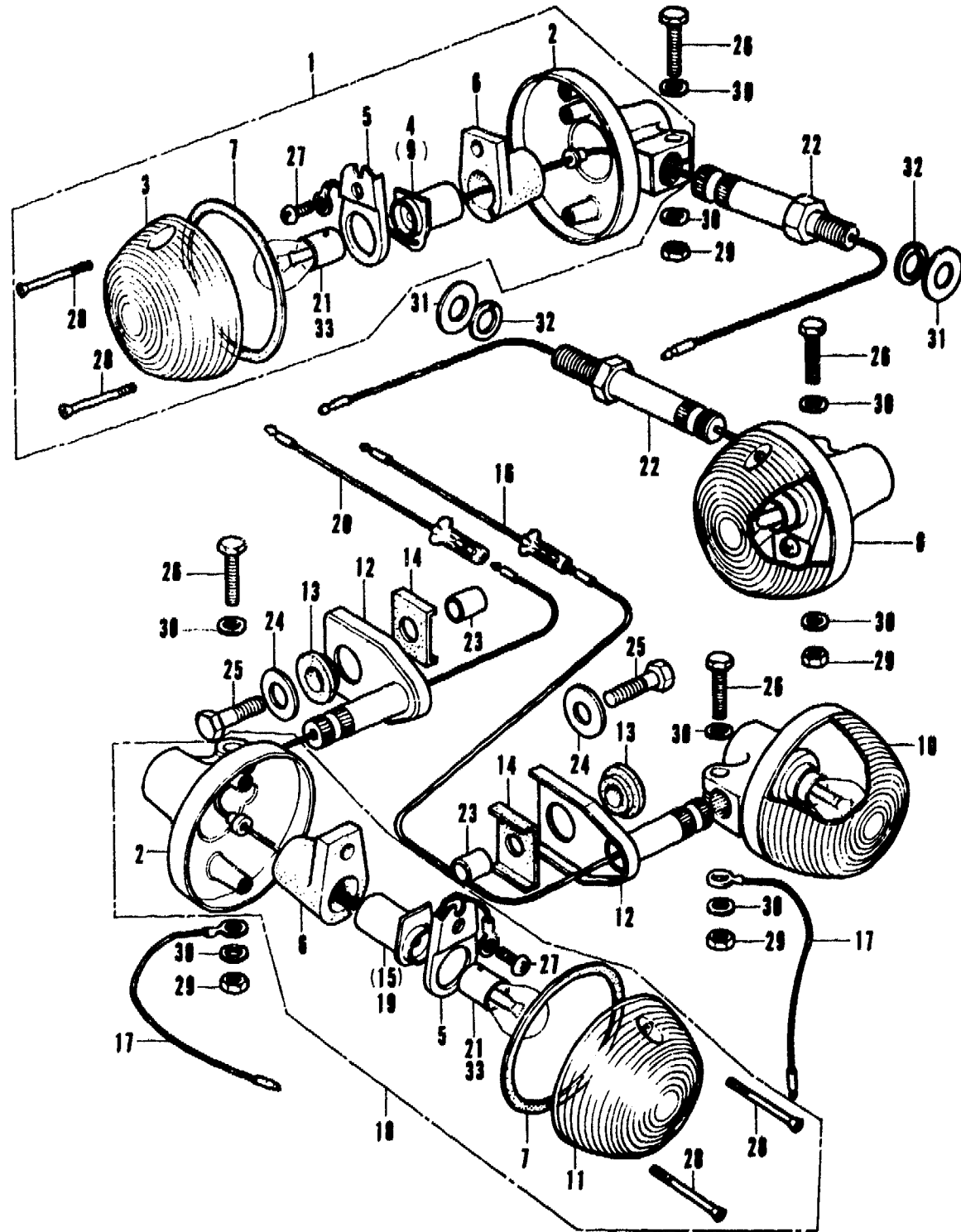
B300-63
300-63A

Courtesy of  Honda4Fun
www.hondafour.com www.honda4fun.com

F-30 Winker

F-30 Winker

Courtesy of Honda4Fun
www.hondafour.com www.honda4fun.com



Ref. No.	Part No.	Description	Reqd. No.			Serial No.	Area code
			CB	K1	K2		
20	33665-300-730	SUB CORD, LEFT NEAR WINKER		1			ED
21	34905-268-671	BULB, WINKER (12V 25W)	4	4	4		A,U D,E,F
22	90154-268-670	BOLT, LIGHT CASE SETTING	2	2	2		A,U D,E,F
23	90324-300-000	COLLAR, 8MM	2	2	2		A,U D,E,F
24	90428-844-650	WASHER, 8MM	1	1	1		A,U D,E,F
25	92000-08032-08	BOLT, HEX., 8X32	2	2	2		A,U D,E,F
26	93000-06028-02	BOLT, HEX., 6X28	4	4	4		A,U D,E,F
27	93500-05008-0A	SCREW, PAN, 5X8	4	4	4		A,U D,E,F
28	93700-03025-38	SCREW, OVAL, 3X25	8	8	8		A,U D,E,F
29	94001-06000	NUT, HEX., 6MM	4	4	4		A,U D,E,F
30	94101-06000	WASHER, PLAIN, 6MM	8	8	8		A,U D,E,F
31	94101-10200	WASHER, PLAIN, 10MM	2	2	2		A,U D,E,F
32	94111-10000	WASHER, SPRING, 10MM	2	2	2		A,U D,E,F
33		BULB, WINKER (12V 18W) (Locally procurement)	4	4			ED

B300-63
300-63A

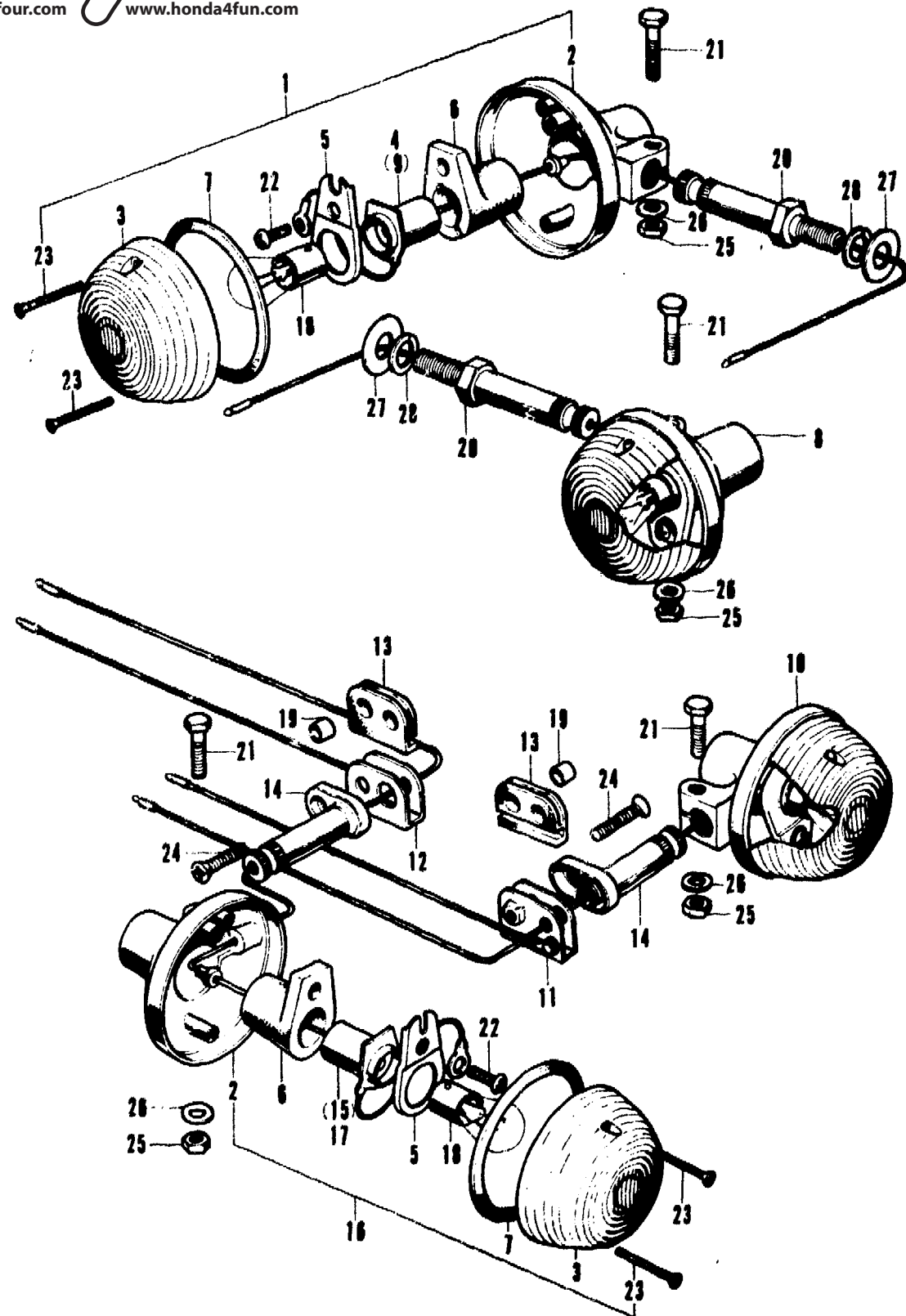
Courtesy of Honda4Fun
www.hondafour.com www.honda4fun.com

F-31 Winker



F-31 Winker

Courtesy of  Honda4Fun
www.hondafour.com www.honda4fun.com



Ref. No.	Part No.	Description	Reqd. No.		Serial No.	Area code
			CB	750 K1 K2		
1	33400-292-670	LIGHT ASSY., RIGHT FRONT WINKER	1			A
2	33401-292-003	BASE, WINKER	4			A
3	33402-268-671	LENS, FRONT WINKER	4			A
4	33402-292-003	SOCKET, RIGHT FRONT WINKER	1			A
5	33407-284-000	HOLDER, FRONT WINKER SOCKET	4			A
6	33408-284-000	RUBBER, WINKER CUSHION	4			A
7	33443-268-671	PACKING, FRONT WINKER LENS	4			A
8	33450-292-670	LIGHT ASSY., LEFT FRONT WINKER	1			A
9	33453-292-003	SOCKET COMP., LEFT WINKER	1			A
10	33600-300-000	WINKER ASSY., RIGHT REAR WINKER	1			A
11	33604-323-670	STOPPER, RIGHT REAR WINKER	1			A
12	33605-323-670	STOPPER, LEFT REAR WINKER	1			A
13	33606-074-010	RUBBER, REAR WINKER MOUNT	2			A
14	33607-323-670	STAY, RIGHT REAR WINKER	2			A
15	33610-300-000	SOCKET COMP., RIGHT REAR WINKER	1			A
16	33650-300-000	WINKER ASSY., LEFT REAR WINKER	1			A
17	33660-300-000	SOCKET COMP., LEFT REAR WINKER	1			A
18	34905-268-671	MUL., WINKER (12V 25W)	4			A
19	80108-061-000	COLLAR A, REAR FENDER	2			A
20	90154-268-670	BOLT, LIGHT CASE SETTING	2			A
21	93000-06028-02	BOLT, HEX., 6X28	4			A
22	93500-05008-0A	SCREW, PAN, 5X8	4			A
23	93700-03025-3B	SCREW, OVAL, 3X25	8			A
24	93700-06025-02	SCREW, OVAL, 6X25	2			A
25	94001-06000	NUT, HEX., 6MM	4			A
26	94101-06000	WASHER, PLAIN, 6MM	4			A
27	94101-10000	WASHER, PLAIN, 10MM	2			A
28	94111-10000	WASHER, SPRING, 10MM	2			A

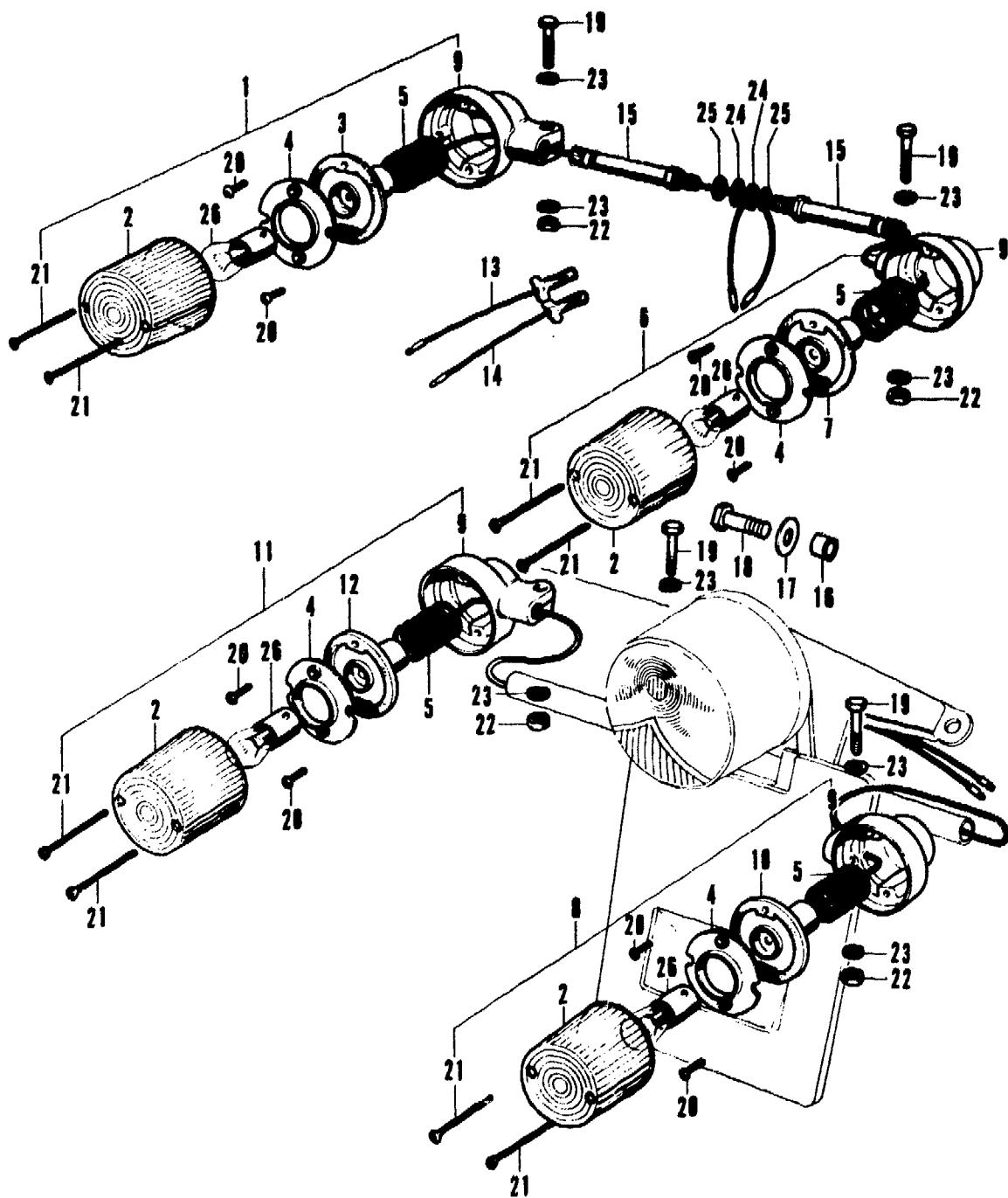
B300-64

Courtesy of  Honda4Fun
www.hondafour.com www.honda4fun.com

F-32 Winker

F-32 Winker

Courtesy of  Honda4Fun
www.hondafour.com www.honda4fun.com



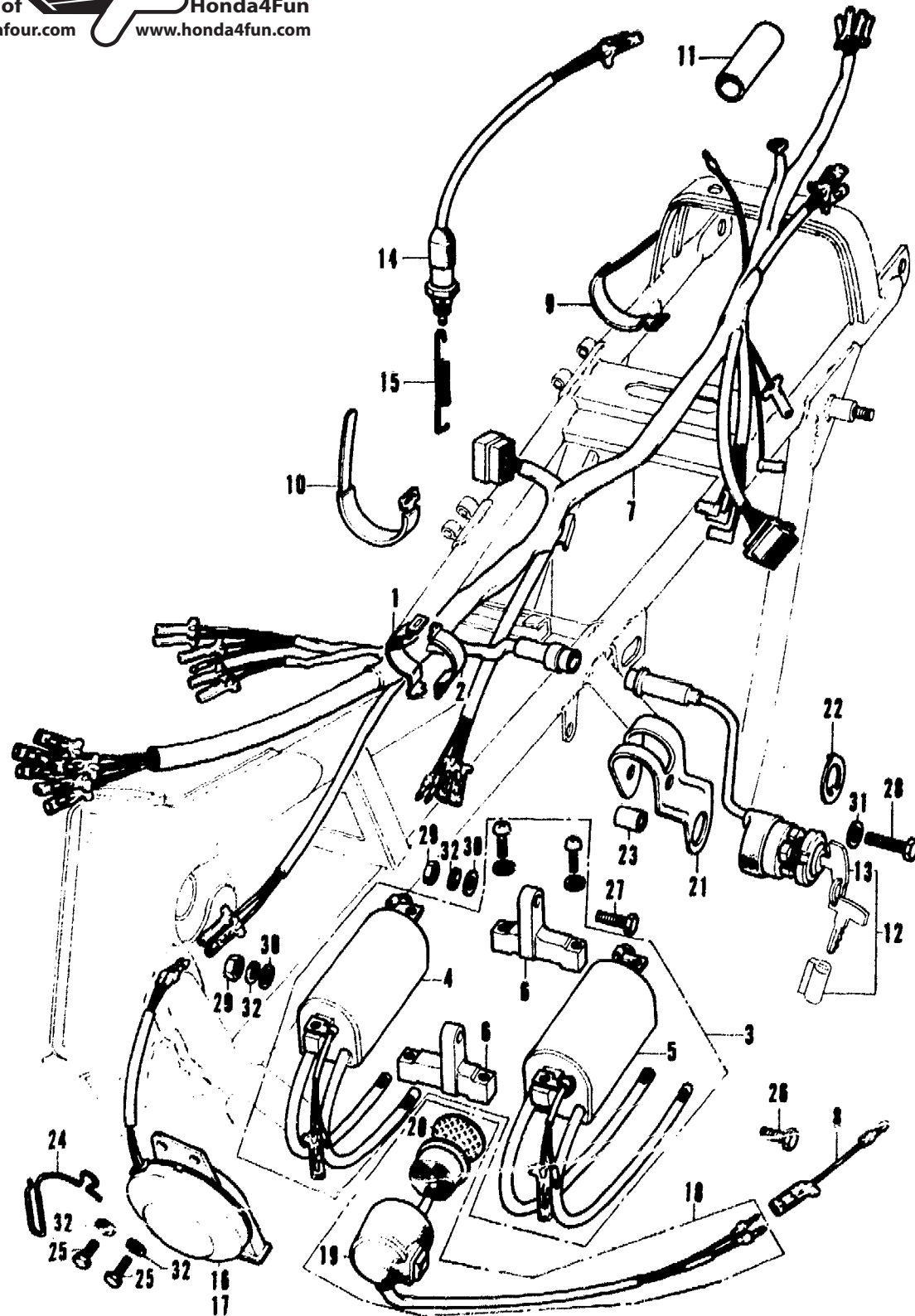
Ref. No.	Part No.	Description	Reqd. No.			Serial No.	Area code
			CB	K1	K2		
1	33400-292-611	WINKER ASSY., RIGHT FRONT 33400-292-612	1	1			G,H
	33400-292-612	WINKER ASSY., RIGHT FRONT			1		G
2	33402-268-610	LENS, FRONT WINKER	4	4	4		G,H
3	33410-292-610	SOCKET, RIGHT FRONT WINKER	1	1	1		G,H
4	33411-285-000	RING, WINKER 33403-285-010	4	4			G,H
	33403-285-010	RING, WINKER			4		G
5	33413-285-000	SPRING, COIL	4	4	4		G,H
6	33450-292-611	WINKER ASSY., LEFT FRONT 33450-292-612	1	1			G,H
	33450-292-612	WINKER ASSY., LEFT FRONT			1		G
7	33460-292-610	SOCKET, LEFT FRONT WINKER	1	1	1		G,H
8	33600-300-610	WINKER ASSY., RIGHT REAR 33600-341-610	1	1			G,H
	33600-341-610	WINKER ASSY., RIGHT REAR			1		G
9	33605-292-610	BASE, WINKER	4	4	4		G,H
10	33610-300-610	SOCKET ASSY., RIGHT REAR WINKER	1	1	1		G,H
11	33650-300-610	WINKER ASSY., LEFT REAR 33650-341-610	1	1			G,H
	33650-341-610	WINKER ASSY., LEFT REAR			1		G
12	33660-300-610	SOCKET, LEFT REAR WINKER	1	1	1		G,H
13	33714-300-610	CORD, RIGHT WINKER SUB	1	1	1		G,H
14	33715-300-610	SUB CORD, LEFT REAR WINKER	1	1	1		G,H
15	90154-292-610	BOLT, LIGHT CASE SETTING	2	2	2		G,H
16	90324-300-000	COLLAR, 8MM	2	2	2		G,H
17	90428-844-650	WASHER, 8MM	2	2	2		G,H
18	92000-08025-08	BOLT, HEX., 8X25	2	2	2		G,H
19	93000-06028-02	BOLT, HEX., 6X28	4	4	4		G,H
20	93500-03010-0A	SCREW, PAN, 3X10	8	8	8		G,H
21	93700-03050-0B	SCREW, OVAL, 3X50	8	8	8		G,H
22	94001-06020	NUT, HEX., 6MM	4	4	4		G,H
23	94101-06200	WASHER, PLAIN, 6MM	8	8	8		G,H
24	94101-10200	WASHER, PLAIN, 10MM	2	2	2		G,H
25	94111-10200	WASHER, SPRING, 10MM	2	2	2		G,H
26		BULB, WINKER (12V 18W) (Locally procurement)	4	4	4		G,H

F-33 Wire harness



F-33 Wire harness

Courtesy of  Honda4Fun
www.hondafour.com www.honda4fun.com



Ref. No.	Part No.	Description	Reqd. No.			Serial No.	Area code
			CB	750 K1	K2		
1	30151-300-000	BAND A, IGNITION COIL SETTING	1	1	1		
2	30152-300-000	BAND B, IGNITION COIL SETTING	1	1	1		
3	30500-300-013	COIL ASSY., IGNITION (TOYO)	1	1	1		
4	30501-300-003	COIL, RIGHT IGNITION (TOYO)	1	1	1		
5	30502-300-003	COIL, LEFT IGNITION (TOYO)	1	1	1		
6	30511-300-000	BRACKET, IGNITION COIL	2	2	2		
7	32100-300-040	HARNES, WIRE 32100-300-050	1			1003479	
	32100-300-050	HARNES, WIRE	1			1003480	
	32100-341-000	HARNES, WIRE			1		
8	32121-300-750	SUB COMB B, WIRE HARNES			1		
9	32161-260-000	BAND A, WIRE HARNES 95014-61100	4	4			
	95014-61100	BAND A1, WIRE			4		
10	32162-286-000	BAND B, WIRE HARNES 95014-62300	3	3			
	95014-62200	BAND B2, WIRE			3		
11	33720-300-000	TUBE, WIRE CORD	1		1	1054538	
12	35010-300-003	SWITCH KIT, MAIN 35010-313-003	1				
	35010-313-003	SWITCH KIT, MAIN			1		
	35010-341-611	SWITCH KIT, MAIN			1		ED+G
	35010-341-670	SWITCH KIT, MAIN 35010-341-671			1	2011562	A+D+E+F
	35010-341-671	SWITCH KIT, MAIN			1	2011563	A+D+E+F
13	35100-300-003	SWITCH, MAIN 35100-313-003	1				
	35100-313-003	SWITCH, MAIN			1	1	
14	35350-292-003	SWITCH ASSY., STOP	1	1			
	35350-336-000	SWITCH ASSY., STOP			1		
15	35357-300-000	SPRING, STOP SWITCH	1	1	1		
16	38100-300-013	HORN ASSY. (MITSUBA)	1			1003850	A+E+G+H+U
	38100-300-023	HORN ASSY. (MITSUBA)	1	1	1	1003951	A+E+G+H+U A+D+E+ED+G+H+U
17	38100-300-620	HORN ASSY.	1			1003950	F
	38100-300-621	HORN ASSY.	1	1	1	1003951	F F
18	38400-341-671	BUZZER ASSY., WINKER			1		A
19	38402-341-671	COVER, BUZZER			1		A
20	38403-341-672	PLATE, WINKER BUZZER			1		A
21	50375-300-000B	BRACKET, COMBINATION SWITCH	1	1	1		
22	50376-300-000	WASHER, COMBINATION SWITCH	1	1	1		

B300-72

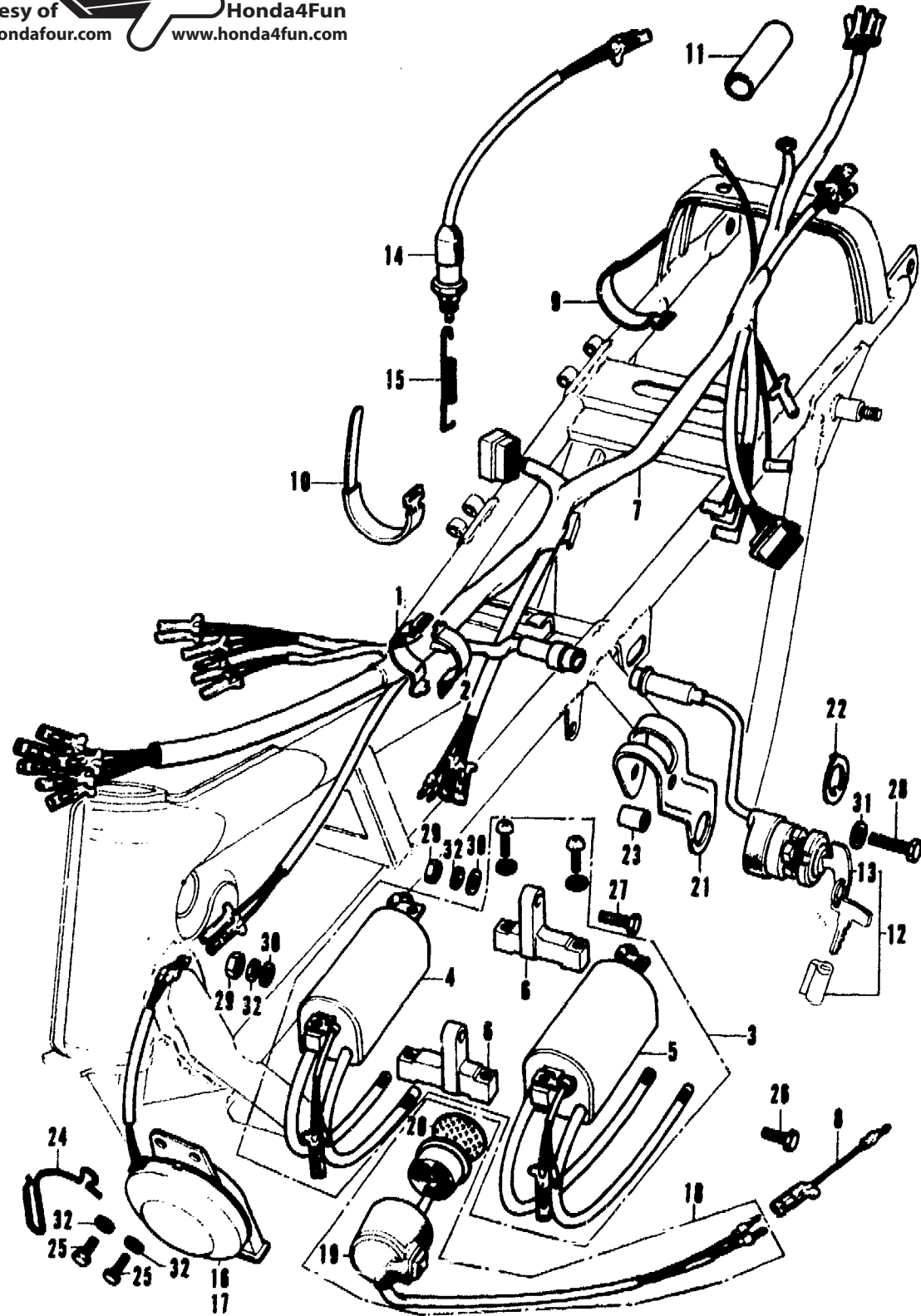
Courtesy of  Honda4Fun
www.hondafour.com www.honda4fun.com

G 10

F-33 Wire harness

F-33 Wire harness

Courtesy of  Honda4Fun
www.hondafour.com www.honda4fun.com



Ref. No.	Part No.	Description	Reqd. No.		Serial No.	Area code
			CB	750 K1 K2		
23	50377-300-000	COLLAR, COMBINATION SWITCH	1	1		
24	50462-300-000	CLAMP, TACHOMETER CABLE	1	1	1003951	
	50462-323-000	CLAMP, TACHOMETER CABLE		1		2065309
	50462-323-000	CLAMP, TACHOMETER CABLE		1	2065310	
25	92000-06016	BOLT, HEX., 6X16	2	2		
26	92000-06025	BOLT, HEX., 6X25	2	2		
27	92000-06032	BOLT, HEX., 6X32	1	1		
28	92000-08040-0A	BOLT, HEX., 8X40	1	1		
29	94001-06000	NUT, HEX., 6MM	2	2		
30	94101-06000	WASHER, PLAIN, 6MM	2	2		
31	94101-08000	WASHER, PLAIN, 8MM	1	1		
32	94111-06000	WASHER, SPRING, 6MM	4	4		

B300-72

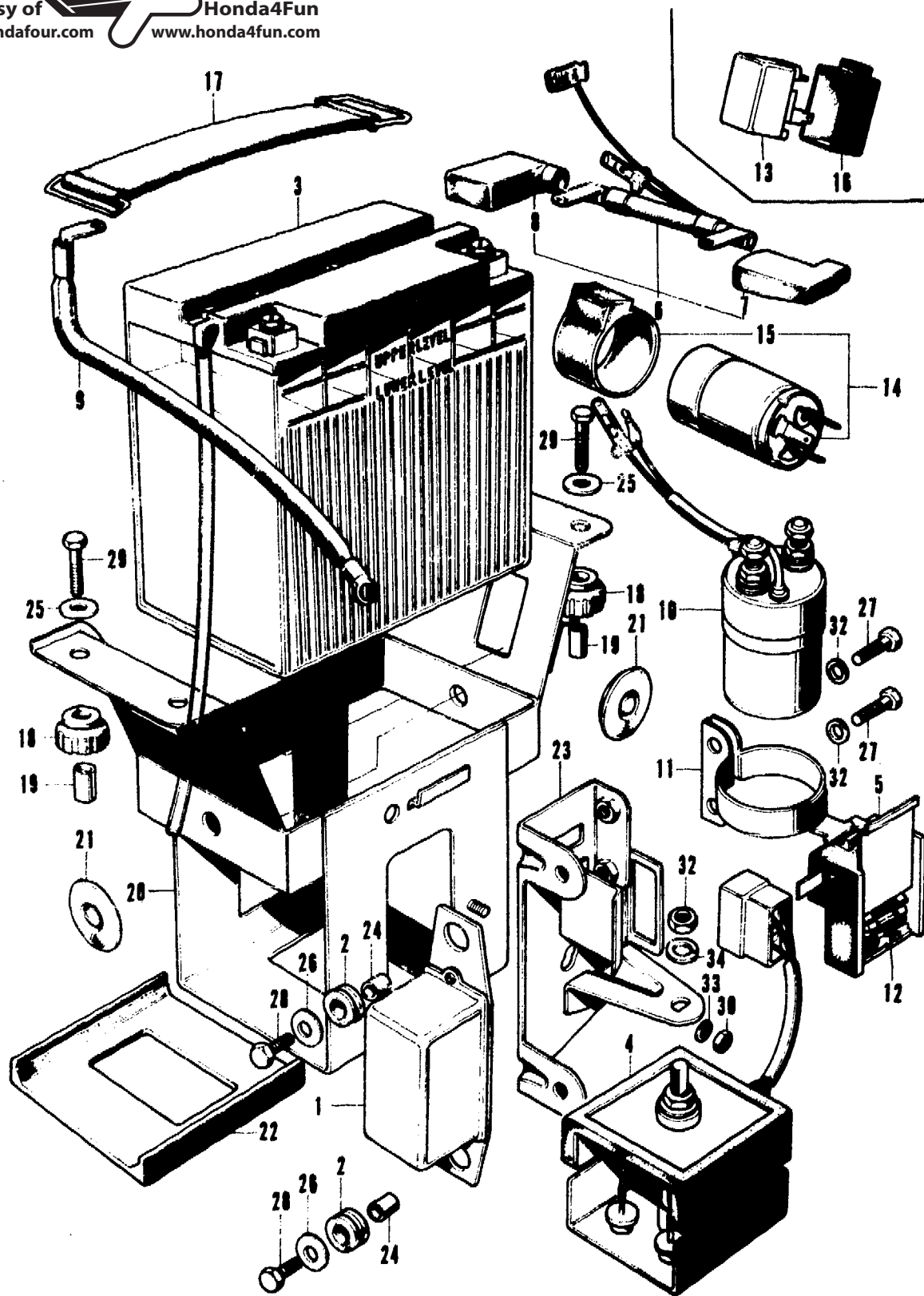
Courtesy of  Honda4Fun
www.hondafour.com www.honda4fun.com

F-34 Battery • Electric

G 11

F-34 Battery • Electric

Courtesy of  Honda4Fun
www.hondafour.com www.honda4fun.com



Ref. No.	Part No.	Description	Reqd. No.			Serial No.	Area code
			CB	K1	K2		
1	31400-300-035	REGULATOR ASSY. (HITACHI)	1	1	1		
2	31403-300-000	RUBBER; REGULATOR CUSHION	2	2	2		
3	31500-300-670	BATTERY ASSY.	1	1	1		
4	31700-300-035	RECTIFIER	1	1			
	31700-341-015	RECTIFIER ASSY			1		
5	32110-300-000	BOX ASSY.; FUSE	1	1			
	32110-341-008	BOX ASSY.; FUSE			1	2065309	
					1	2065310	
6	32401-300-010	CABLE; STARTER BATTERY	1	1	1		
7	32412-300-010	COVER A; BATTERY TERMINAL	1	1	1		
8	32413-300-010	COVER B; BATTERY TERMINAL	1	1	1		
9	32601-300-000	CABLE; BATTERY EARTH	1	1	1		
10	35850-306-670	SWITCH ASSY.; STARTER MAGNETIC	1	1	1		
11	35851-300-000	STAY; STARTER MAGNETIC SWITCH	1	1	1		
12	38201-250-000	FUSE (15A)	4	4	4		
13	38300-292-670	RELAY ASSY.; WINKER (SIGNAL STAT)	1	1	1		A>D
14	38300-300-000	RELAY ASSY., WINKER	1	1	1		E>F>U
	38300-300-610	RELAY ASSY., WINKER	1	1	1		ED>G>H
15	38306-292-000	SUSPENSION; WINKER RELAY	1	1	1		E>ED>F>G>H>U
16	38306-292-670	SUSPENSION; WINKER RELAY	1	1	1		A>D
17	50322-300-010	BAND; BATTERY	1	1	1		
18	50323-300-010	RUBBER A; BATTERY	4	4	4		
19	50324-300-000	COLLAR; BATTERY BOX	4	4	4		
20	50325-300-020	BOX; BATTERY	1	1	1		
21	50327-300-000	RUBBER B; BATTERY	4	4	4		
22	50329-300-010	RUBBER C; BATTERY	1	1	1		
23	50330-300-020	PLATE; ELECTRIC BASE	1	1			
	50330-341-000	PLATE; ELECTRIC BASE			1		
24	84706-286-000	COLLAR; NUMBER BRACKET SET	2	2	2		
25	90514-700-000	WASHER; TANK COLLAR LOCK	4	4	4		
26	90581-701-000	WASHER; 18MM	2	2	2		
27	92000-06012	BOLT; HEX.; 6X12	2	2	2		
28	92000-06020	BOLT; HEX.; 6X20	2	2	2		
29	92000-06025	BOLT; HEX.; 6X25	4	4	4		
30	94001-06000	NUT; HEX.; 6MM	1	1	1		
31	94001-08000-0S	NUT; HEX.; 8MM	1	1	1		
32	94101-06000	WASHER; PLAIN; 6MM	2	2	2		
33	94111-06000	WASHER; SPRING; 6MM	1	1	1		
34	94111-08000	WASHER; SPRING; 8MM	1	1	1		

B300-66

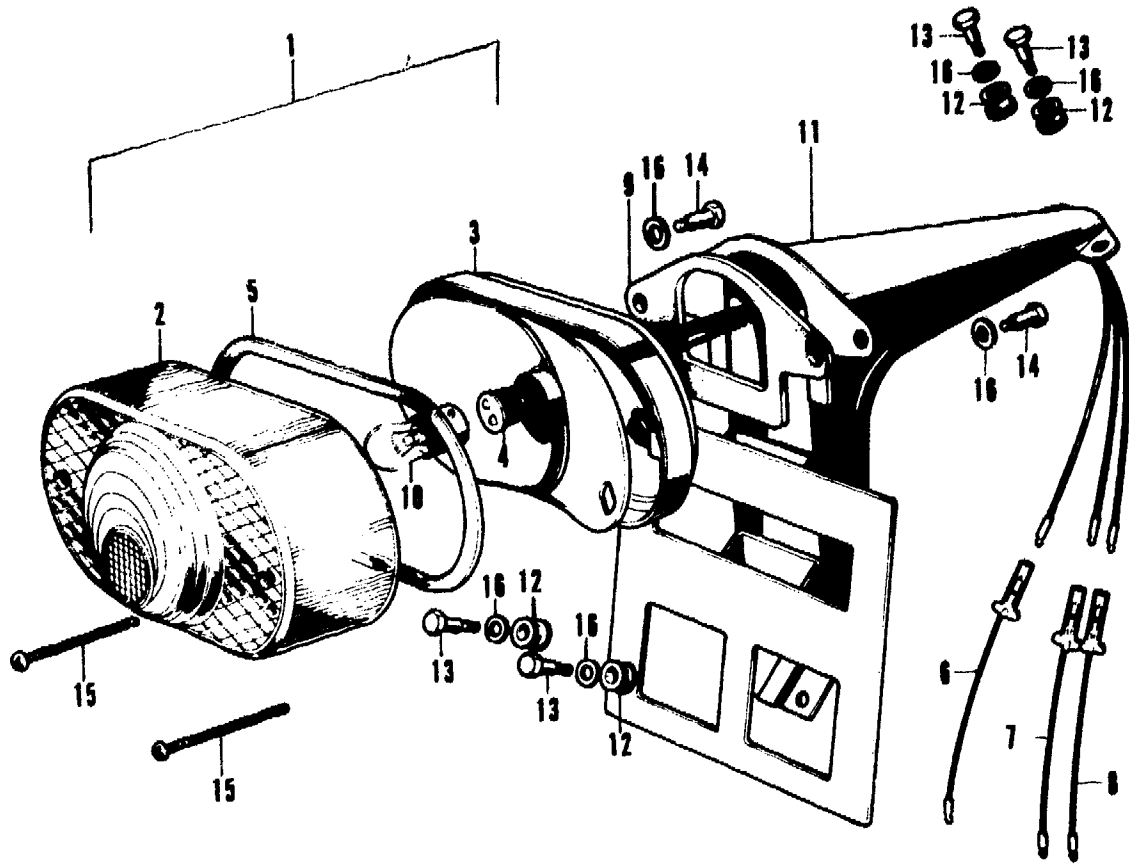
Courtesy of  Honda4Fun
www.hondafour.com www.honda4fun.com

F-35 Taillight

F-35 Taillight

Courtesy of  Honda4Fun
www.hondafour.com www.honda4fun.com

Ref. No.	Part No.	Description	Reqd. No.		Serial No.	Area code
			CB	750 K1 K2		
1	33700-292-600	TAILLIGHT ASSY	1	1		E
2	33701-041-601	LENS, TAILLIGHT	1	1		E
3	33702-292-003	BASE COMP., TAIL LIGHT	1	1		E
4	33707-292-013	CORD COMP., TAIL LIGHT	1	1		E
5	33709-041-000	PACKING, TAIL LIGHT LENS	1	1		E
6	33711-300-600	CORD, TAIL LIGHT SUB	1	1		E
7	33712-300-600	CORD, TAIL LIGHT EARTH	1	1		E
8	33713-300-600	CORD, STOP LIGHT SUB	1	1		E
9	33719-292-000	PACKING, TAIL LIGHT HASE	1	1		E
10	34906-268-810	BULB, TAIL LIGHT (12V 23/7W)	1	1		E
11	84701-300-600B	BRACKET, NUMBER PLATE	1	1		E
12	84705-292-000	RUBBER, NUMBER BRACKET CUSHION	4	4		E
13	90162-292-000	BOLT, FRONT FENDER SETTING	4	4		E
14	90165-292-000	BOLT, TAIL LIGHT SET	2	2		E
15	93500-04045-4J	SCREW, PAN, 4X45	2	2		E
16	94101-08200	WASHER, PLAIN, 8MM	6	6		E



B317-52

Courtesy of  Honda4Fun
www.hondafour.com www.honda4fun.com

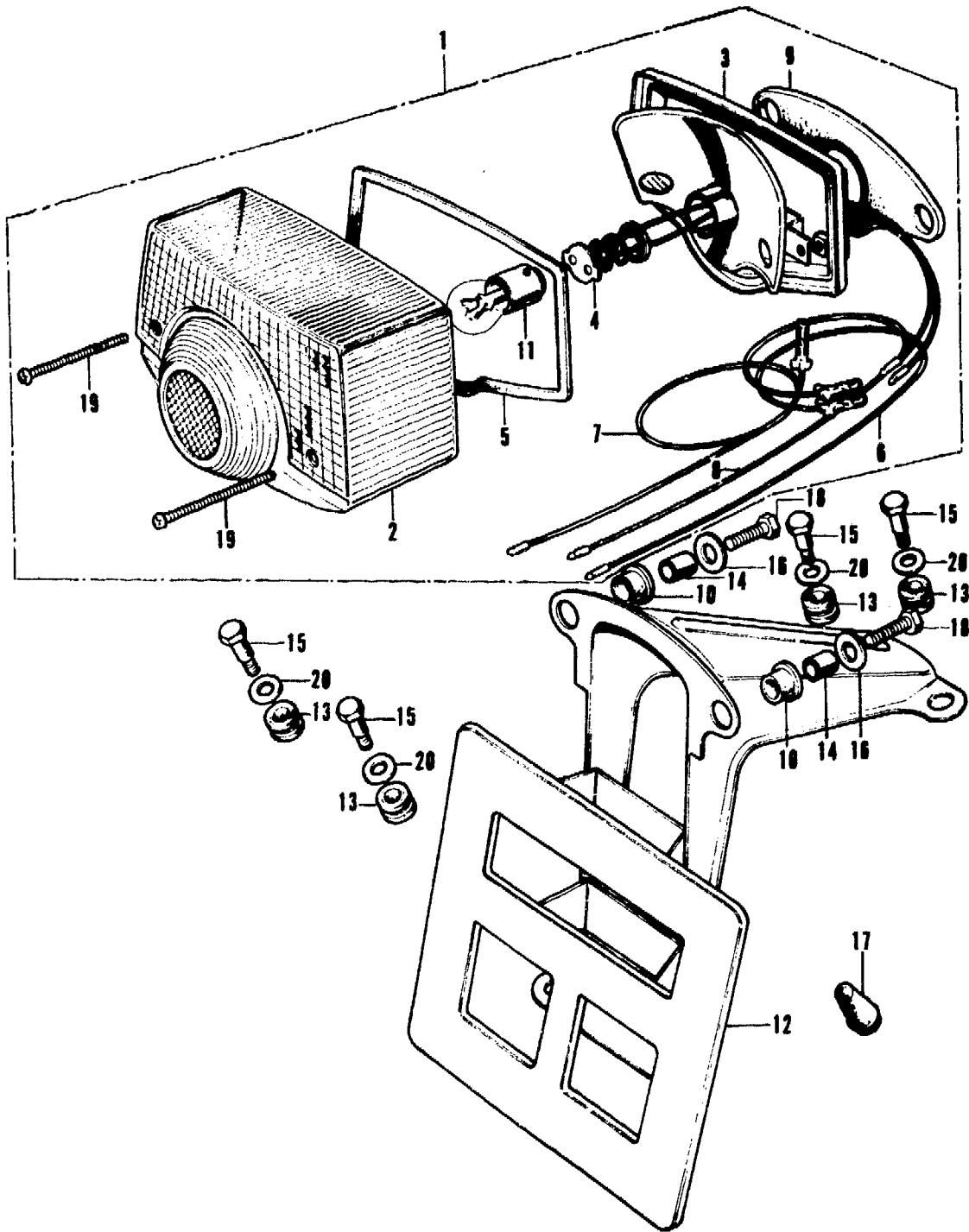
F-36 Taillight



F-36 Taillight

Courtesy of  Honda4Fun
www.hondafour.com www.honda4fun.com

Ref. No.	Part No.	Description	Reqd. No.		Serial No.	Area code
			CB	750 K1 K2		
1	33701-323-603	LIGHT UNIT, TAIL (12V 21/5W)	1			E
2	33702-323-603	LENS, TAIL LIGHT	1			E
3	33703-077-671	BASE, TAIL LIGHT	1			E
4	33708-077-671	CORD COMP., TAIL LIGHT	1			E
5	33709-077-671	PACKING, TAIL LIGHT LENS	1			E
6	33711-300-000	CORD, TAIL LIGHT SUB	1			E
7	33712-300-003	CORD, TAIL LIGHT EARTH (STANLEY)	1			E
8	33713-300-000	CORD, STOP LIGHT SUB	1			E
9	33718-077-671	PACKING A, TAIL LIGHT BASE	1			E
10	33719-077-671	PACKING B, TAIL LIGHT BASE	2			E
11	34906-594-602	BULB, TAIL & STOP LIGHT (12V 21/5W)	1			E
12	84701-323-6008	BRACKET, NUMBER PLATE	1			E
13	84705-292-000	RUBBER, NUMBER BRACKET CUSHION	4			E
14	84706-286-000	COLLAR, NUMBER BRACKET SET	2			E
15	90162-292-000	BOLT, FRONT FENDER SETTING	4			E
16	90581-701-000	WASHER, 18MM	2			E
17	90899-323-610	PLUG, CORN	1			E
18	92000-05020-08	BOLT, HEX., 5X20	2			E
19	93500-04050-4J	SCREW, PAN, 4X50	2			E
20	94101-08200	WASHER, PLAIN., 8MM	4			E



B300-74A

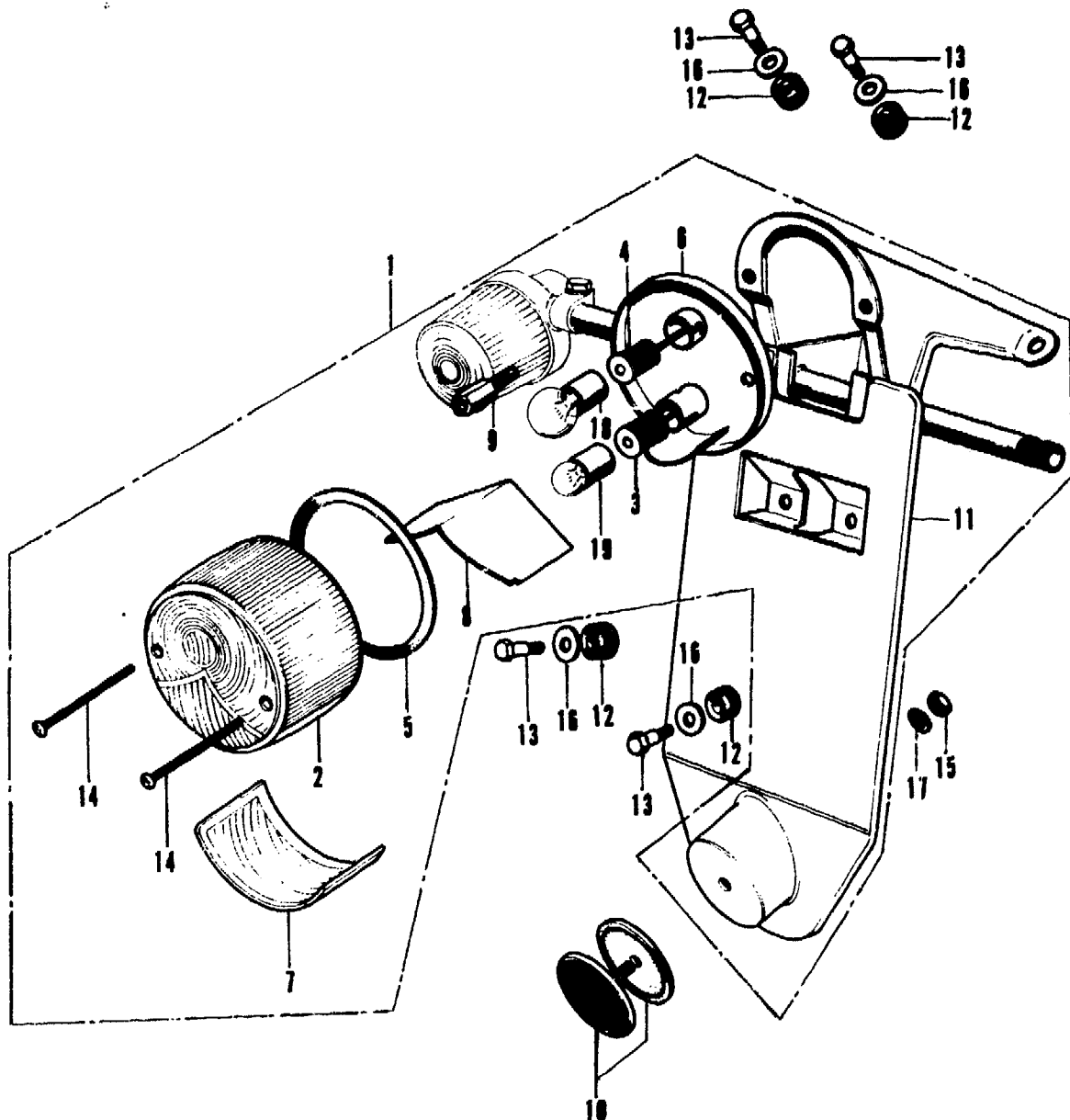
Courtesy of  Honda4Fun
www.hondafour.com www.honda4fun.com

F-37 Taillight

F-37 Taillight

Courtesy of  Honda4Fun
www.hondafour.com www.honda4fun.com

Ref. No.	Part No.	Description	Reqd. No.		Serial No.	Area code
			CB	750 K1 K2		
1	33700-300-610	TAILLIGHT ASSY 33700-323-610	1			G,H
	33700-323-610	TAILLIGHT ASSY 33700-323-611		1		G,H
	33700-323-611	TAILLIGHT ASSY		1		G
2	33701-051-000	LENS, TAIL & STOP LAMP	1	1	1	G,H
3	33707-300-610	CORD COMP., TAIL LIGHT	1	1	1	G,H
4	33708-300-610	CORD, STOP LIGHT	1	1	1	G,H
5	33709-051-000	PACKING, TAIL LIGHT LENS	1	1	1	G,H
6	33710-300-610	SOCKET COMP., TAIL LIGHT	1	1	1	G,H
7	33715-051-000	LENS, LICENSE	1	1	1	G,H
8	33716-051-000	PLATE, INTERCEPTION	1	1	1	G,H
9	33717-292-610	BOLT, TAIL LIGHT SETTING	2	2	2	G,H
10	33741-292-610	REFLEX REFLECTOR	1	1	1	G,H
11	84701-300-610B	BRACKET, NUMBER PLATE 84701-323-610B	1	1		G,H
	84701-323-610B	BRACKET, NUMBER PLATE		1		G
12	84705-292-000	RUBBER, NUMBER BRACKET CUSHION	4	4	4	G,H
13	90162-292-000	BOLT, FRONT FENDER SETTING	4	4	4	G,H
14	93500-03045-0B	SCREW, PAN, 3X45	2	2	2	G,H
15	94001-05000-0S	NUT, HEX., 5MM	1	1	1	G,H
16	94101-08200	WASHER, PLAIN., 8MM	4	4	4	G,H
17	94111-05000	WASHER, SPRING, 5MM	1	1	1	G,H
18		BULB, STOP (12V 16W) (Locally procurement)	1	1	1	G,H
19		BULB, TAIL LIGHT (12V 5W) (Locally procurement)	1	1	1	G,H



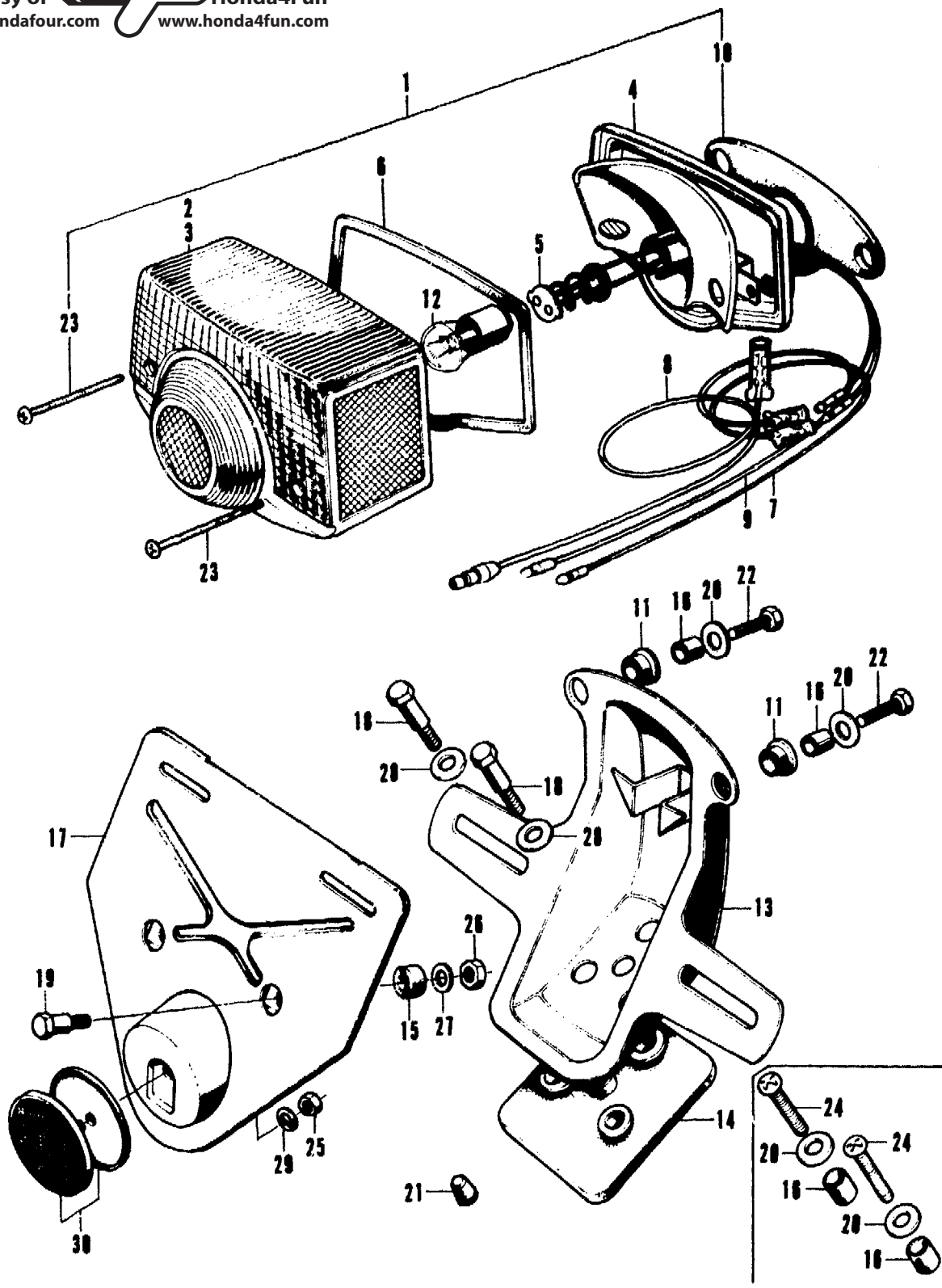
300-75A

Courtesy of  Honda4Fun
www.hondafour.com www.honda4fun.com

F-38 Taillight

F-38 Taillight

Courtesy of Honda4Fun
www.hondafour.com www.honda4fun.com



B300-76

Ref. No.	Part No.	Description	Reqd. No.			Serial No.	Area code
			CB	K1	K2		
1	33701-300-671	TAILLIGHT UNIT	1	1			A>F,U
	33701-300-730	TAILLIGHT UNIT 33701-323-631	1			1104194	ED
	33701-323-603	LIGHT UNIT, TAIL (12V 21/5W)		1			F
	33701-323-631	TAILLIGHT UNIT	1	1		1104195	ED
2	33702-077-671	LENS, TAIL LIGHT	1	1			A>F,U
	33702-302-003	LENS, TAIL LIGHT	1			1104194	ED
	33702-323-603	LENS, TAIL LIGHT		1			F
	33702-323-631	LENS, TAIL LIGHT		1			ED
3	33702-323-631	LENS, TAIL LIGHT	1			1104195	ED
4	33703-077-671	BASE, TAIL LIGHT	1	1			A,U
	33703-303-003	BASE, TAIL LIGHT	1	1			ED
5	33708-077-671	CORD COMP., TAIL LIGHT	1	1			A,U
							D,ED,F
6	33709-077-671	PACKING, TAIL LIGHT LENS	1	1			A,U
							D,ED,F
7	33711-300-000	CORD, TAIL LIGHT SUB	1	1			A,U
							D,ED,F
8	33712-300-003	CORD, TAIL LIGHT EARTH (STANLEY)	1	1			A,U
							D,ED,F
9	33713-300-000	CORD, STOP LIGHT SUB	1	1			A,U
							D,ED,F
10	33718-077-671	PACKING A, TAIL LIGHT BASE	1	1			A,U
							D,ED,F
11	33719-077-671	PACKING B, TAIL LIGHT BASE	2	2			A,U
							D,ED,F
12	34906-268-81.0	BULB, TAIL LIGHT (12V 23/7W)	1	1			A,F,U
	34906-594-602	BULB, TAIL & STOP LIGHT (12V 21/5W)	1	1			ED
							F
13	84701-300-010XW	BRACKET, NUMBER PLATE	1				F
	84701-300-671XW	BRACKET, NUMBER PLATE	1				A,U
	84701-300-020XW	BRACKET, NUMBER PLATE	1	1			F
	84701-300-672XW	BRACKET, NUMBER PLATE	1	1		1044650	A,D,ED,U
							D,ED
14	84702-300-000	SEAT, NUMBER PLATE BRACKET	1				A,F,U
	84702-300-010	SEAT, NUMBER PLATE BRACKET	1			1044650	D,ED,F,U
							A
15	84705-300-620	RUBBER, NUMBER PLATE SET	2	2		1003480	F
							F
16	84706-286-000	COLLAR, NUMBER BRACKET SET	4				A,F,U
17	84710-300-620	PLATE, NUMBER PLATE BACK	1	1		1003480	F
							F

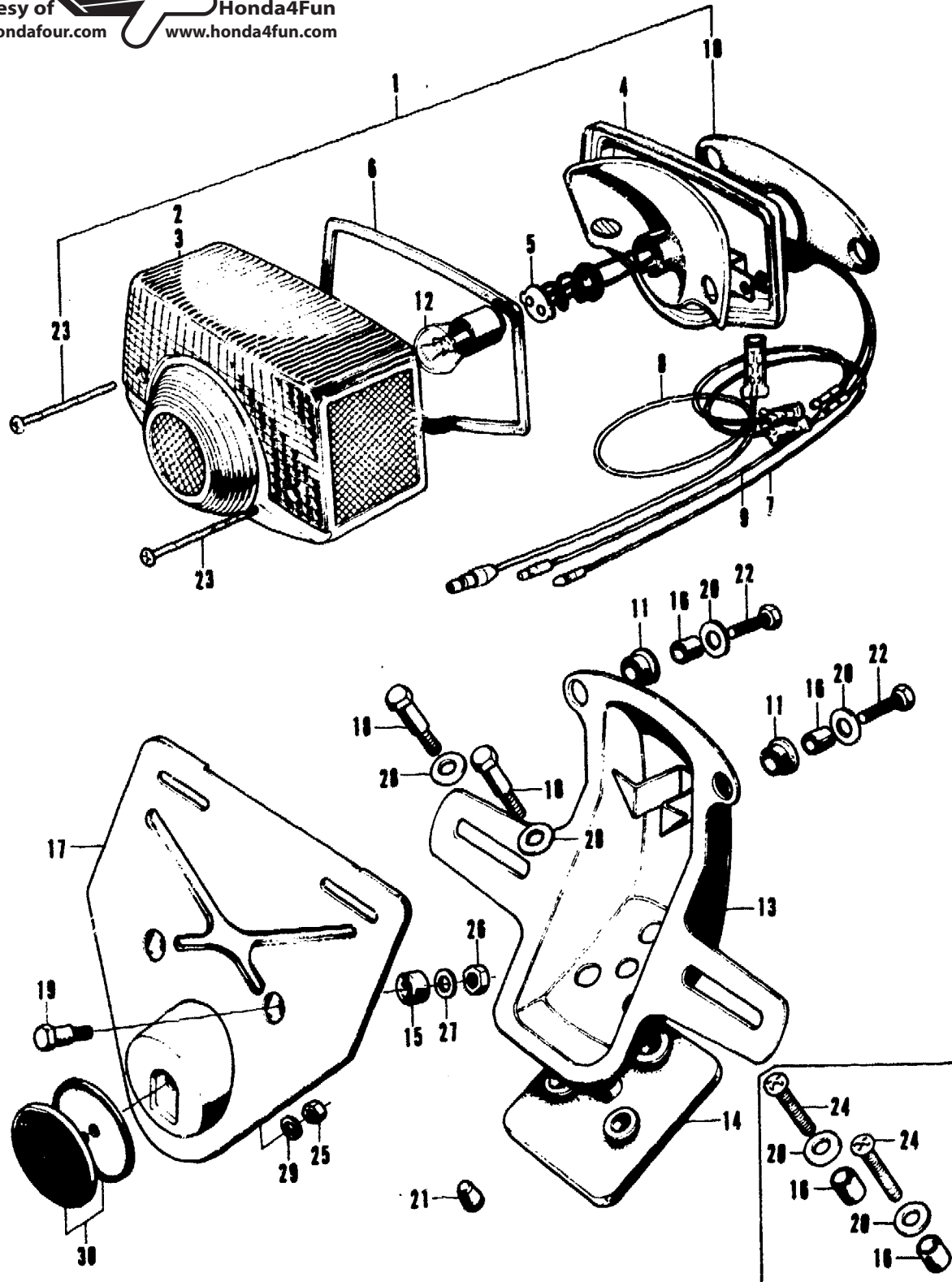
Courtesy of Honda4Fun
www.hondafour.com www.honda4fun.com

F-38 Taillight

G 16

F-38 Taillight

Courtesy of  Honda4Fun
www.hondafour.com www.honda4fun.com



Ref. No.	Part No.	Description	Reqd. No.			Serial No.	Area code
			CB	750	K1 K2		
18	90162-292-000	BOLT, FRONT FENDER SETTING	3	3		2065309	A>D>E>F>U D>E>F
	90162-283-000	BOLT, REAR FENDER SETTING		3		2065310	
19	90162-292-670	BOLT, FRONT FENDER SETTING	2	2	2	1003480	F
20	90581-831-650	WASHER, 18MM	4	2	2	1044650	A>F>U A>D>E>F>U D>E>F
21	90899-283-000	PLUG, CORN	1	1	1		A>D>E>F>U
22	92000-05020-08	BOLT, HEX., 5X20	2	2	2		A>U D>E>F
23	93500-04050-4J	SCREW, PAN, 4X50	2	2	2		A>U D>E>F
24	93500-06020-4J 93500-06020-49	SCREW, PAN, 6X20	2				A>F>U
25	94001-05000-05	NUT, HEX., 5MM	1	1	1		F
26	94001-06000	NUT, HEX., 6MM	2	2	2		F
27	94101-06000	WASHER, PLAIN, 6MM	2	2	2		F
28	94101-08000	WASHER, PLAIN, 8MM		3	3		A>U D>E>F
29	94111-05000	WASHER, SPRING, 5MM	1	1	1		F
30		REFLECTOR ASSY., REFLEX (Locally procurement)	1	1	1		F

B300-76

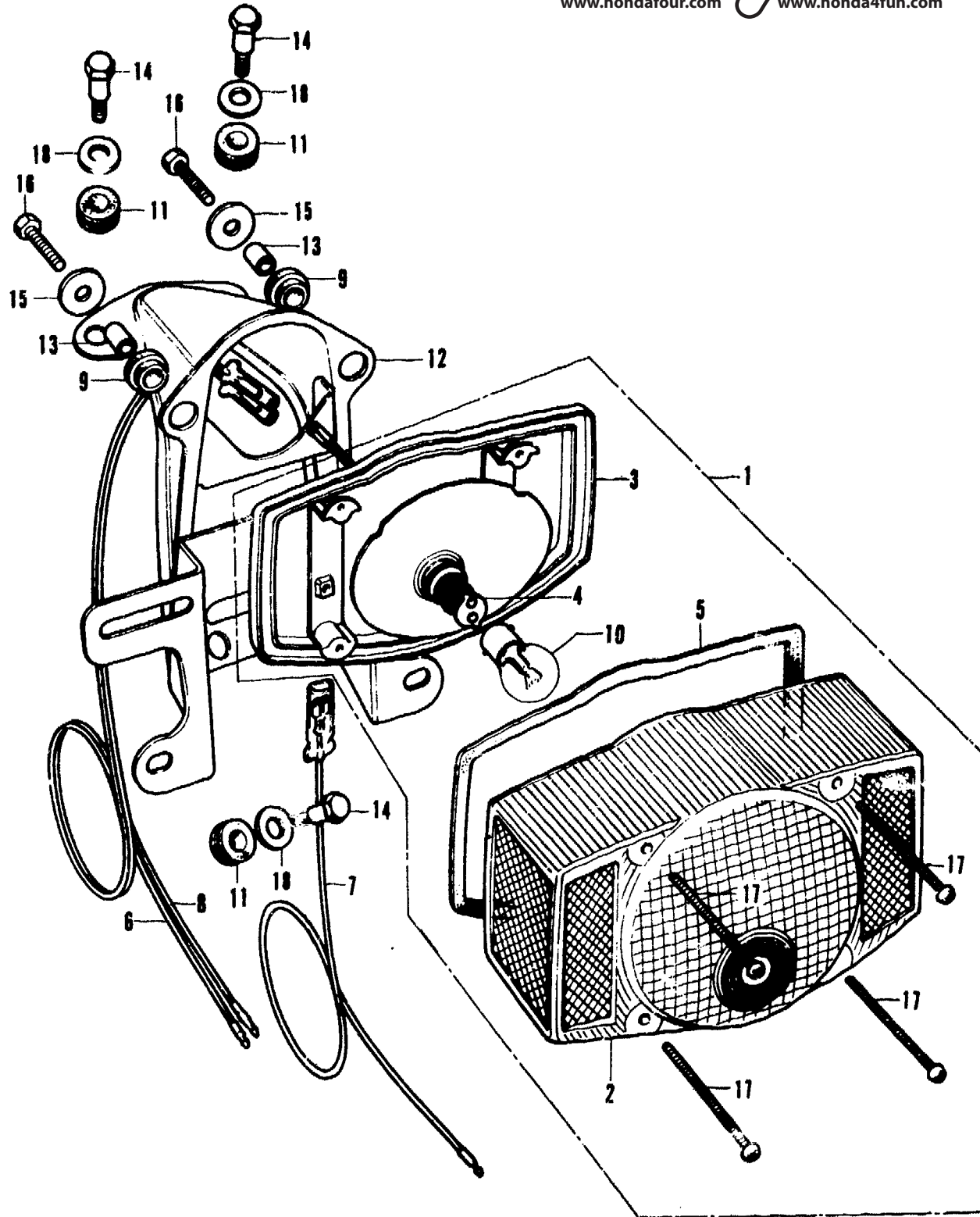
Courtesy of  Honda4Fun
www.hondafour.com www.honda4fun.com

F-39 Taillight



F-39 Taillight

Courtesy of  Honda4Fun
www.hondafour.com www.honda4fun.com



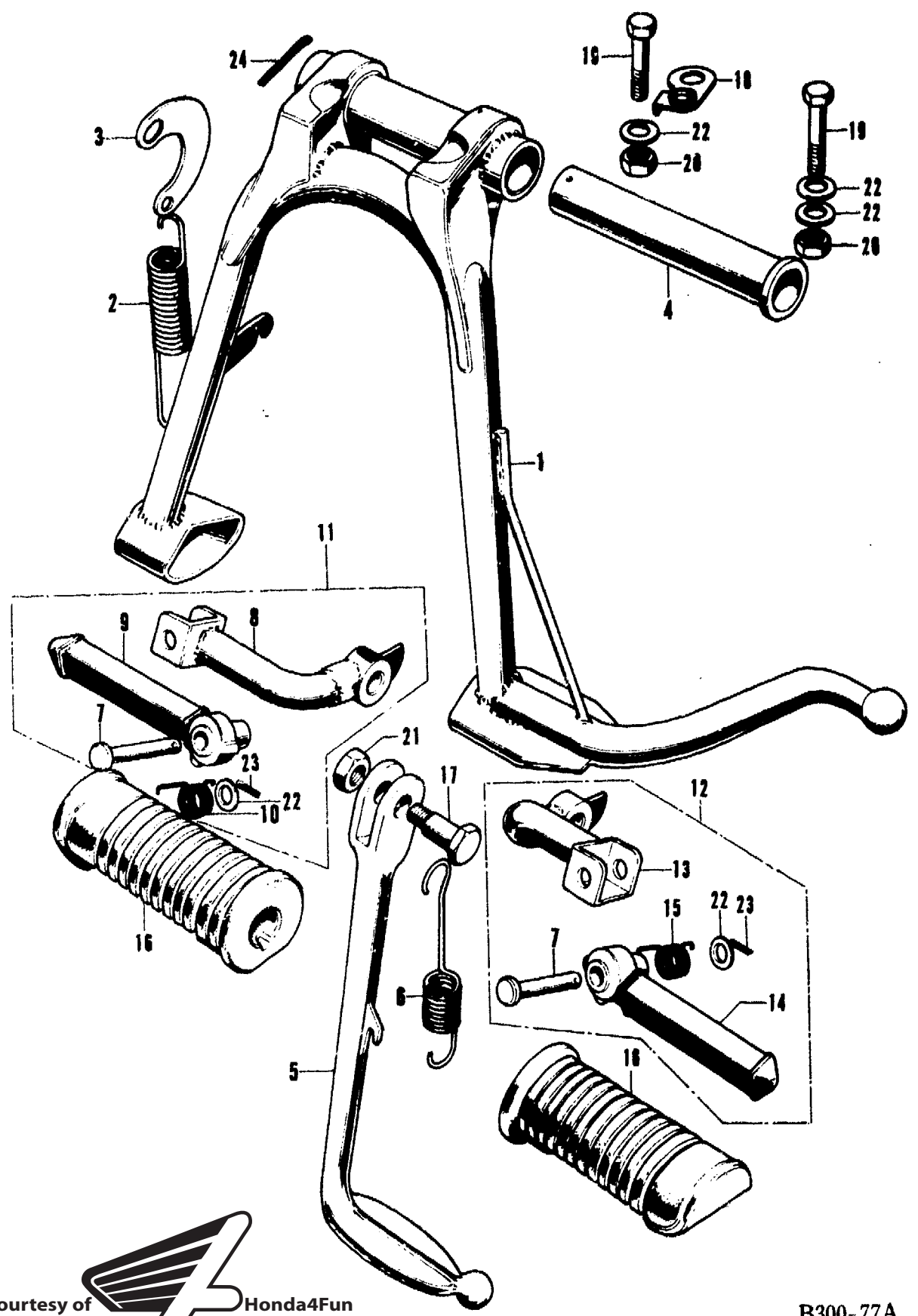
Ref. No.	Part No.	Description	Reqd. No.		Serial No.	Area code
			CB	750 K1 K2		
1	33701-341-671	LIGHT UNIT, TAIL	1			A
2	33702-341-671	LENS, TAIL LIGHT	1			A
3	33703-341-671	BASE COMP., TAIL LIGHT	1			A
4	33708-341-671	CORP COMP., TAIL LIGHT	1			A
5	33709-341-671	PACKING, TAIL LIGHT LENS	1			A
6	33711-300-000	CORP, TAIL LIGHT SUB	1	2065309		A
	33711-323-000	CORP, TAIL LIGHT SUB	1	2065310		A
7	33712-300-003	CORP, TAIL LIGHT EARTH (STANLEY)	1			A
8	33713-300-000	CORP, STOP LIGHT SUB	1	2065309		A
	33713-323-000	CORP, STOP LIGHT SUB	1	2065310		A
9	33719-077-671	PACKING B, TAIL LIGHT BASE	2			A
10	34906-341-671	BULB, TAIL & STOP LIGHT (12V 32/3CP)	1			A
11	80101-283-000	RUBBER, REAR FENDER CUSHION	4			A
12	84701-341-670XW	BRACKET, NUMBER PLATE	1			A
13	84706-341-000	COLLAR, NUMBER PLATE BRACKET	2			A
14	90162-292-000	BOLT, FRONT FENDER SETTING	4			A
15	90581-310-000	WASHER, PLAIN, ZOMH	2			A
16	92000-05020-08	BOLT, HEX., 5X20	2			A
17	93500-04053-4J	SCREW, PAN, 4X55	4			A
18	94101-08200	WASHER, PLAIN., 8MM	4			A

300-76A

Courtesy of  Honda4Fun
www.hondafour.com www.honda4fun.com

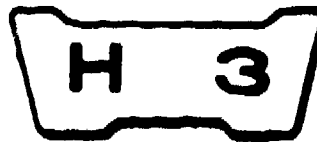
F-40 Stand - Step

F-40 Stand - Step



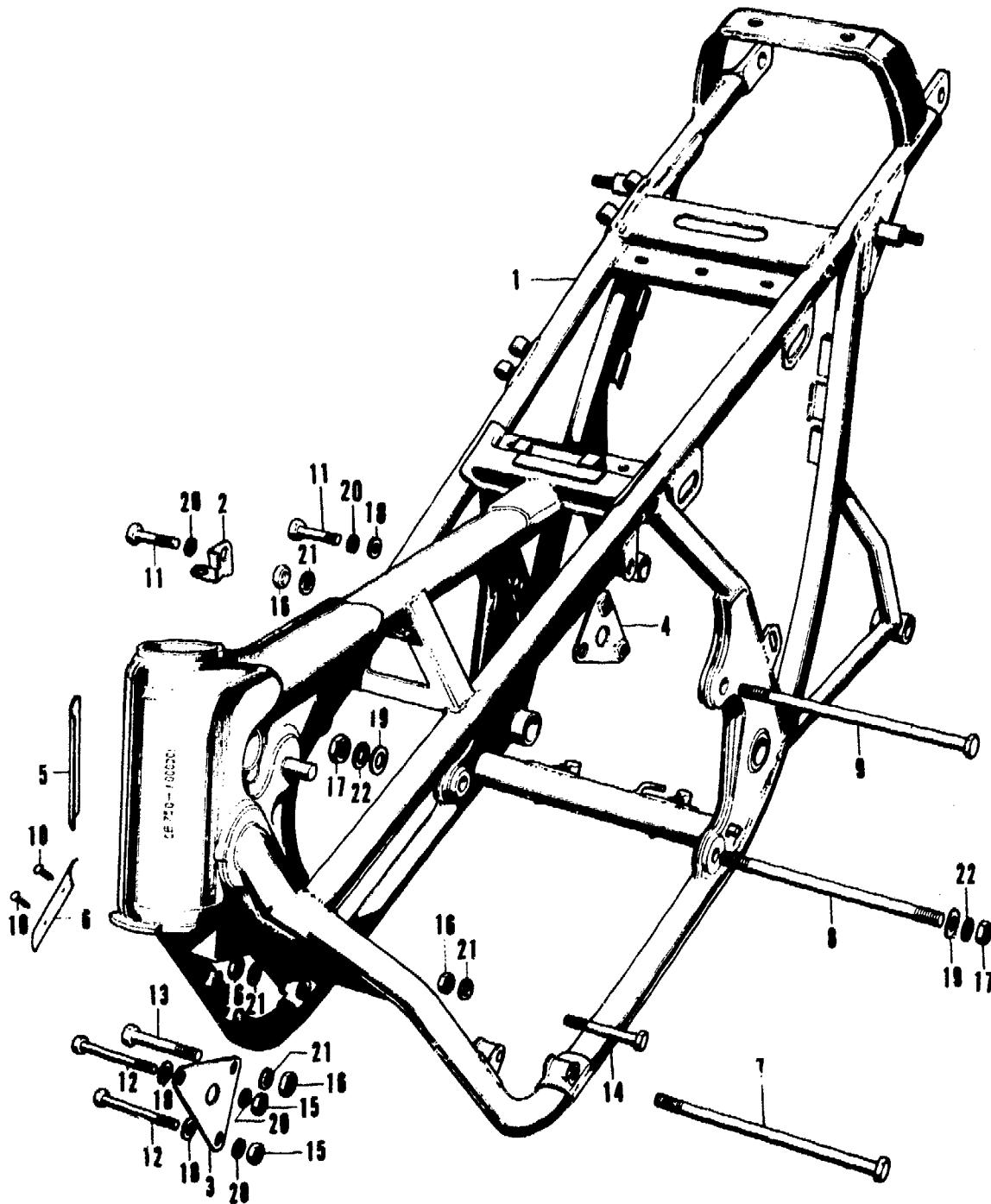
Ref. No.	Part No.	Description	Reqd. No.			Serial No.	Area code
			CB	750	K1 K2		
1	50500-300-0208	STAND COMP., MAIN	1	1	1		
2	50522-300-010	SPRING, MAIN STAND 95014-71700	1	1	1		
3	50523-300-010	PLATE, MAIN STAND SPRING	1	1	1		
4	50526-300-000	PIPE, MAIN STAND PIVOT	1	1	1		
5	50530-294-000	BAR, SIDE STAND 50530-341-670	1			1002380	
	50530-300-000	BAR, SIDE STAND	1			1002381	
	50530-341-670	BAR, SIDE STAND		1			
6	50542-273-000	SPRING, SIDE STAND	1				
	50542-284-000	SPRING, SIDE STAND 95014-72401		1			
	95014-72400	SPRING, SIDE STAND			1		
7	50603-033-000	PIN, STEP BAR JOINT	2	2	2		
8	50615-300-6708	BAR COMP., RIGHT STEP	1	1	1		
9	50616-283-0208	ARM COMP., RIGHT STEP	1				
	50616-310-000	ARM COMP., RIGHT STEP		1	1		
10	50617-300-670	SPRING, RIGHT STEP RETURN	1	1	1		
11	50630-300-3058	STEP ASSY., RIGHT	1				
	50630-300-6708	STEP ASSY., RIGHT		1	1		
12	50640-300-3058	STEP ASSY., LEFT	1				
	50640-300-6708	STEP ASSY., LEFT		1	1		
13	50641-300-6708	BAR COMP., LEFT STEP	1	1	1		
14	50642-283-0208	ARM COMP., LEFT STEP	1				
	50642-310-000	ARM COMP., LEFT STEP		1	1		
15	50644-300-670	SPRING, LEFT STEP RETURN	1	1	1		
16	50661-283-010	RUBBER, STEP 95011-23000	2				
	50661-310-000	RUBBER, STEP		2	2	1044650	
17	90108-283-000	SCREW, SIDE STAND PIVOT	1	1	1		
18	90514-323-000	WASHER, BATTERY BREATHER GUIDE	1			2065310	
19	92000-08040-0A	BOLT, HEX, 8X40	2	2	2		
20	94001-08000-0S	NUT, HEX., 8MM	2	2	2		
21	94002-10000-0S	NUT, HEX., 10MM	1	1	1		
22	94001-08000	WASHER, PLAIN, 8MM	6	6	6		
					5	2065310	2065309
23	94201-16150	PIN, SPLIT, 1.6X15	2	2	2		
24	94201-25300	PIN, SPLIT, 2.5X30	1	1	1		

F-41 Frame



F-41 Frame

Courtesy of  Honda4Fun
 www.hondafour.com www.honda4fun.com



Ref. No.	Part No.	Description	Reqd. No.		Serial No.	Area code
			CB	K1 K2		
1	50100-300-0508	BODY COMP., FRAME 50100-300-3658	1		1003950	A,E,U
	50100-300-6208	BODY COMP., FRAME 50010-300-6218	1		1003950	F
	50010-300-6218	BODY, FRAME	1		1003950	F
	50100-300-3658	BODY COMP., FRAME	1		1003950	A,E,U
	50100-300-0608	BODY COMP., FRAME 50010-341-0108	1	1	1003951	A,E,U A,D,E,U
	50100-300-6108	BODY COMP., FRAME 50010-341-6108	1	1		ED,G,H
	50100-300-6218	BODY COMP., FRAME 50010-341-6208	1	1	1003951	F F
	50010-341-0108	FRAME BODY SET		1		A,D,E
	50010-341-6108	FRAME BODY SET		1		ED,G
	50010-341-6208	FRAME BODY SET		1		F
2	50156-300-020	BRACKET, STOP SWITCH	1	1 1		
3	50351-300-0408	BRACKET, FRONT ENGINE HANGER	1	1 1		
4	50356-300-0108	BRACKET, REAR ENGINE HANGER	1	1 1		
5	87125-041-680	PLATE, NAME	1	1 1		D,E,ED,F,G,H,U
6	87501-300-610	PLATE, REGISTERED NUMBER 87501-341-631	1	1 1		G,H
	87501-300-620	PLATE, REGISTERED NUMBER 87501-341-631	1	1 1		F
	87501-341-631	PLATE, REGISTERED NUMBER		1		ED
7	90152-370-010	BOLT, A, ENGINE HANGER	1	1 1		
8	90155-300-000	BOLT, REAR ENGINE HANGER LOWER	1	1 1		
9	90156-300-000	BOLT, C, ENGINE HANGER	1	1 1		
10	90841-001-000	SCREW, RIVET, 1.5X5	2	2 2		ED,F,G,H
11	92000-08045-0A	BOLT, HEX., 8X45	2	2 2		
12	92200-08056-0A	BOLT, HEX., 8X56	2	2 2		
13	92200-10050-0A	BOLT, HEX., 10X50	1	1 1		
14	92200-10080-0A	BOLT, HEX., 10X80	1	1 1		
15	94001-08000-0S	NUT, HEX., 8MM	2	2 2		
16	94030-10200	NUT, HEX 10MM	4	4 4		
17	94030-12200	NUT, HEX 12MM	2	2 2		
18	94101-08000	WASHER, PLAIN, 8MM	2	2 2		
19	94101-12000	WASHER, PLAIN, 12MM	2	2 2		
20	94111-08000	WASHER, SPRING, 8MM	4	4 4		
21	94111-10000	WASHER, SPRING, 10MM	4	4 4		
22	94111-12000	WASHER, SPRING, 12MM	2	2 2		

B300-70
300-70A

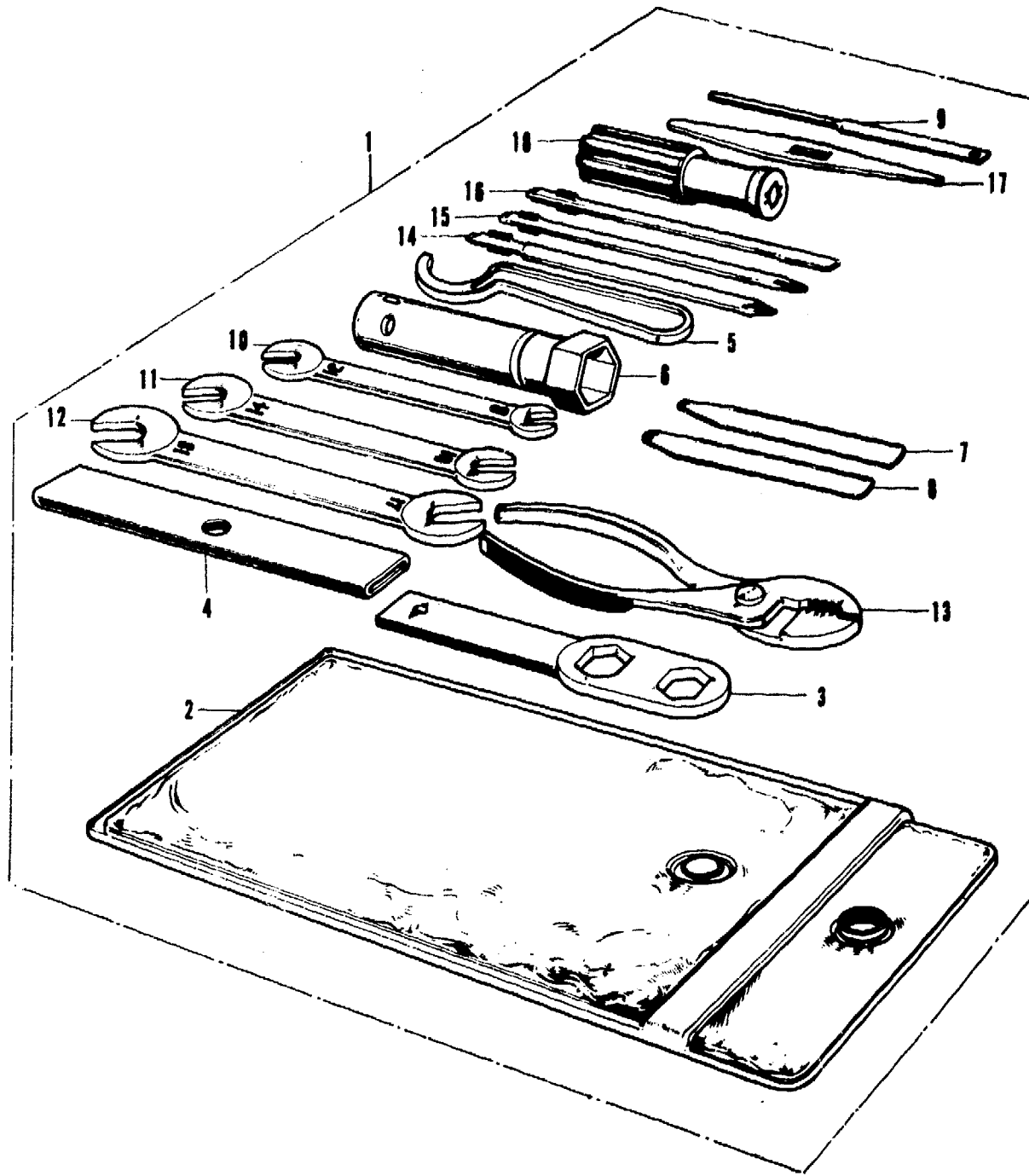
Courtesy of  Honda4Fun
 www.hondafour.com www.honda4fun.com



F-42 Tool set

F-42 Tool set

Courtesy of  Honda4Fun
 www.hondafour.com www.honda4fun.com



Ref. No.	Part No.	Description	Reqd. No.			Serial No.	Area code
			CB	750 K1	K2		
1	89010-300-000	TOOL SET	1	1			
	89010-341-000	TOOL SET			1		2065309
2	89101-300-010	BAG, TOOL	1	1	1		2065309
3	89202-283-000	WRENCH, AXLE	1	1	1		2065309
4	89203-283-000	ARM, AXLE WRENCH	1	1	1		2065309
5	89206-283-000	SPANNER, PIN, 45MM	1	1	1		2065309
6	89216-300-000	WRENCH, SPERK PLUG	1	1	1		2065309
7	89231-001-000	GAUGE, TAPPET CLEARANCE	1	1			
8	89232-300-000	GAUGE, TAPPET CLEARANCE ADJUSTING	1	1			
9	89235-253-000	FILI, POINT	1	1			
10	99001-08120	SPANNER, 8X12	1	1	1		2065309
11	99001-10140	SPANNER, 10X14	1	1	1		2065309
12	99001-17190	SPANNER, 17X19	1	1	1		2065309
13	99002-15000	PLIERS, 150	1	1	1		2065309
14	99003-10000	DRIVER, PLUS, #2	1	1	1		2065309
15	99003-20000	DRIVER, PLUS, #3	1	1	1		2065309
16	99003-30000	DRIVER, MINUS, #2	1	1	1		2065309
17	99003-40000	LEVER	1	1	1		2065309
18	99003-50000	GRIP	1	1	1		2065309

B300-71

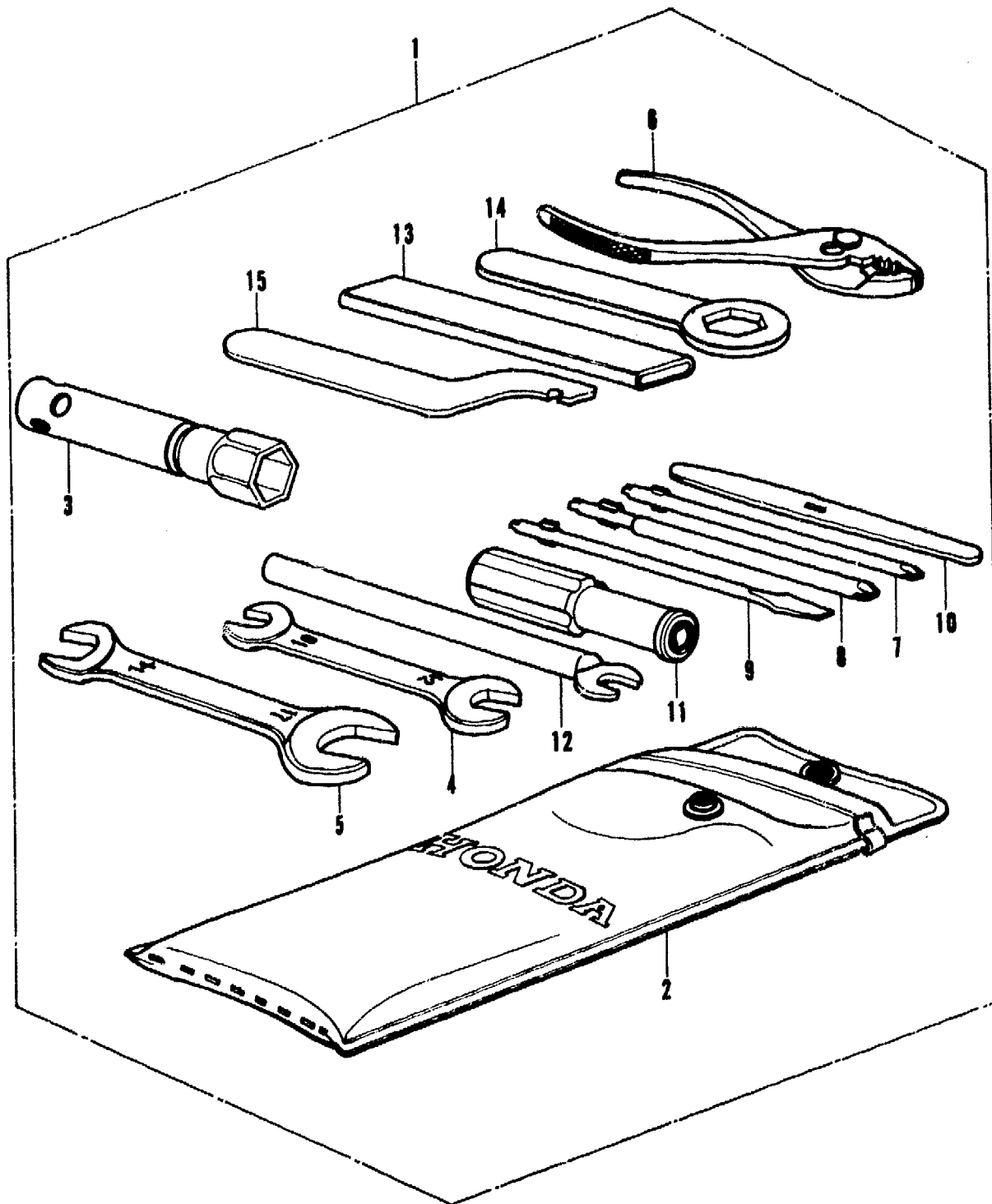
Courtesy of  Honda4Fun
 www.hondafour.com www.honda4fun.com



F-43 Tool set

F-43 Tool set

Courtesy of  Honda4Fun
 www.hondafour.com www.honda4fun.com



Ref. No.	Part No.	Description	Reqd. No.		Serial No.	Area code
			CB	750 K1 K2		
1	89010-341-010	TOOL SET	1		2065310	
2	89101-300-010	BAG, TOOL	1		2065310	2095390
	99008-02000	BAG, TOOL	1		2095301	
3	89216-300-000	WRENCH, SPARK PLUG	1		2065310	
4	99001-10120	SPANNER, 10X12	1		2065310	
5	99001-14170	SPANNER, 14X17	1		2065310	
6	99002-13500	PLIERS, 135	1		2065310	
7	99003-10000	DRIVER, PLUS, #2	1		2065310	
8	99003-20000	DRIVER, PLUS, #3	1		2065310	
9	99003-30000	DRIVER, MINUS, #2	1		2065310	
10	99003-40000	LEVER	1		2065310	
11	99003-50000	GRIP	1		2065310	
12	99005-02000	BAR B, HANDLE	1		2065310	
13	99006-12000	HANDLE, EYE WRENCH, 120MM	1		2065310	
14	99006-26000	WRENCH, EYE, 26MM	1		2065310	
15	99007-45000	SPANNER, PIN, 45MM	1		2065310	

B333-44

Courtesy of  Honda4Fun
 www.hondafour.com www.honda4fun.com